

OFFSET DISK HARROW

GAICR 30D - AXLE 1.5/8" - DOUBLE WHEEL
GAICR 30D - EIXO 1.5/8" - RODADO DUPLO

Code: 0501093146
Series: S-1106
Revision: 00
Revision Date: SEPTEMBER/2021

PARTS CATALOGUE



MARCHESAN



PRODUCTS

Code	Working Width	Description
0102260454		GAICR 30 X28X7,50 DM ROD DUPL S1106

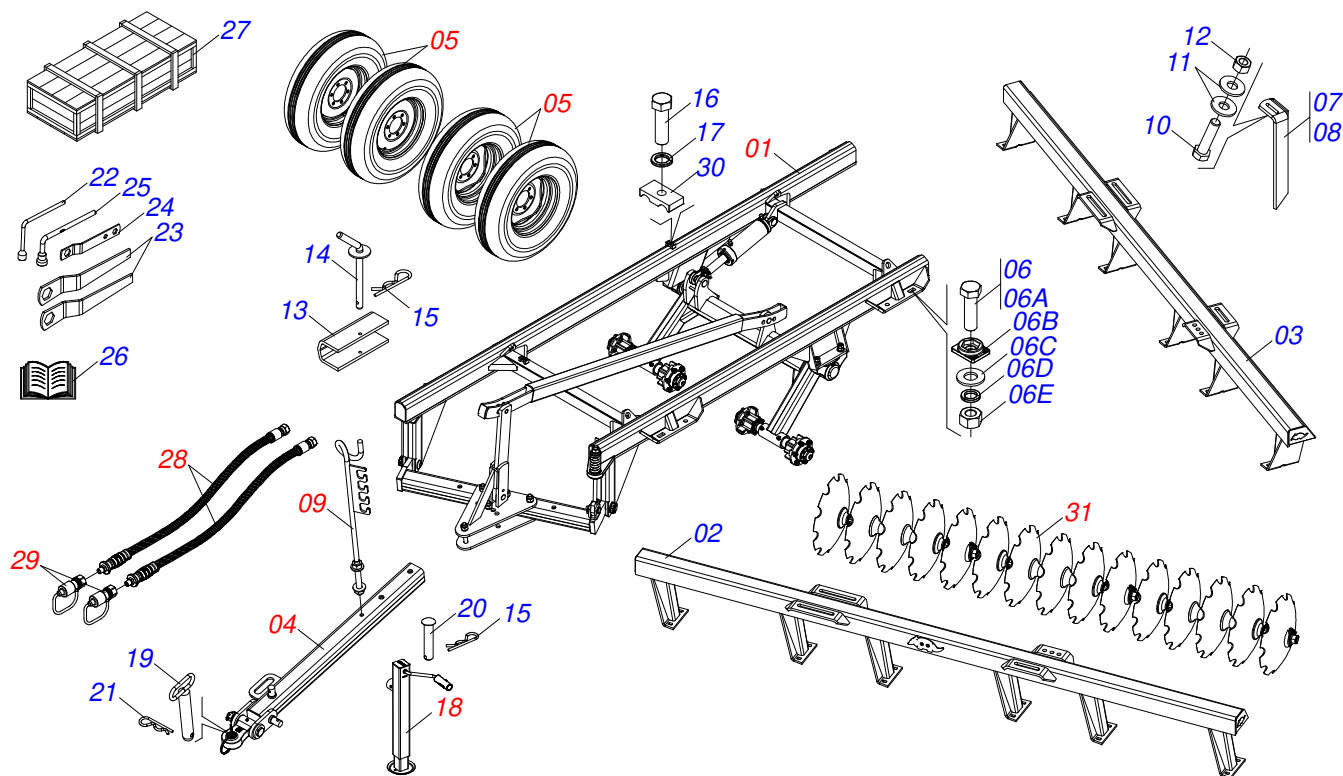
ATTENTION: IMPORTANT

Marchesan S.A. reserves the right to improve and/or modify the technical features of its products, without obligation to do the same with those products already sold and without prior knowledge of the dealer or the customer. The photos are only illustrative.



INDEX

0909095997	ASSY FRAME	1
0521044471	FRAME ASSY WITH DOUBLE CARRYING WHEEL - 24/28D	2
0501054931	STUB SHAFT & HUB	3
0501051142	CARRYING WHEEL HUB	4
0511059180	HYDRAULIC CYLINDER 50,80 X 101,60 X 515 X 203	5
0521048502	ASSY TRACTION BAR	6
0521057520	HITCH ASSY	7
0503060091	L29.5"X0.63"-10L WHEEL AND	8
0501040257	ASSY 3/4 X 38 HOSE SUPPORT	9
0503062157	DRAWBAR JACK	10
0503011360	HOSE KIT	11
0501053834	MALE QUICK COUPLER	12
0909095998	ASSY DISC SECTION	13
0501046925	BEARING	14



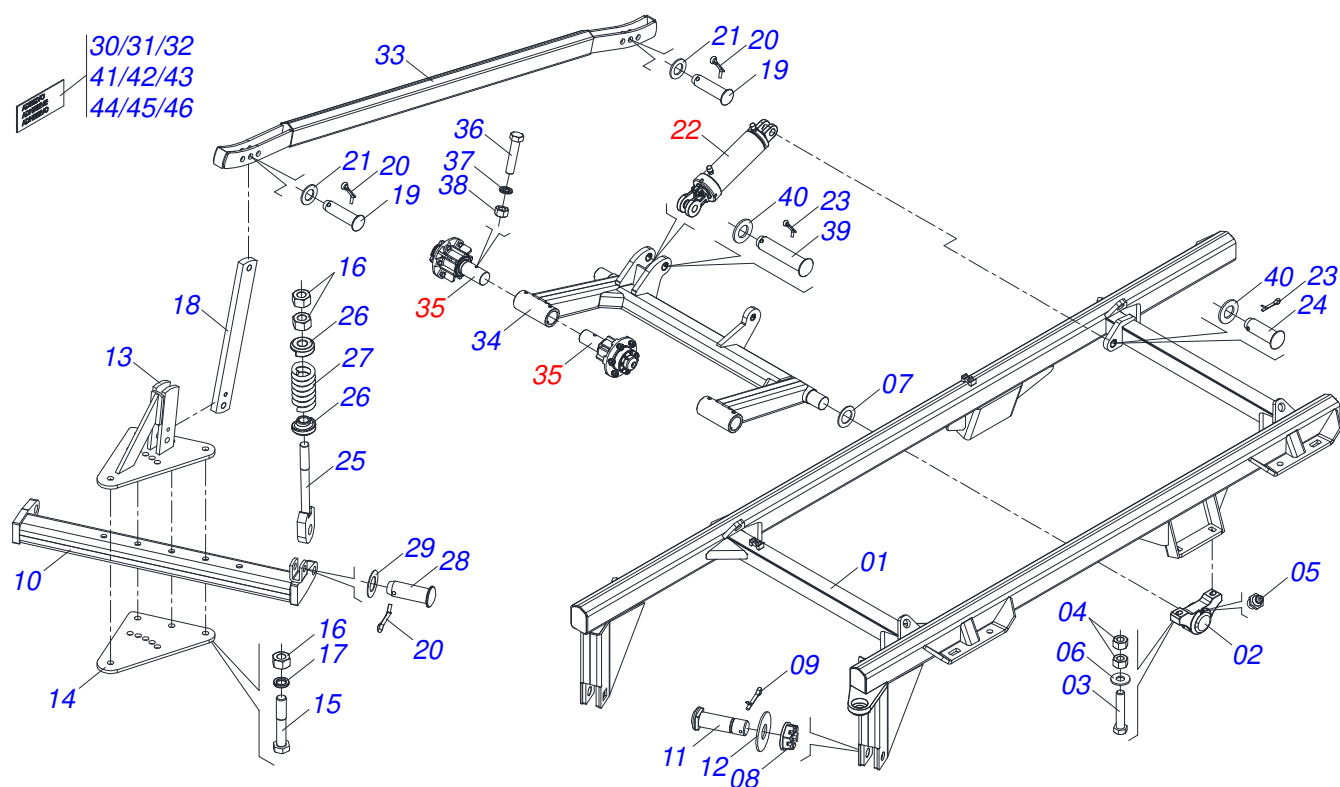
Item	Code	Description	See page	QT
01	0521044471	FRAME ASSY WITH DOUBLE CARRYING WHEEL - 24/28D		01
02	0501067030	FRONT FRAME - 30D		01
03	0501067031	REAR FRAME - 29/30D		01
04	0521048502	ASSY TRACTION BAR	6	01
05	0503060091	L29.5"X0.63"-10L WHEEL AND	8	04
06	0501040877	C1" X 3-1/4" ASSY BOLT		08
06A	0501010171	BOLT 1 UNC X 3.1/2 C S G.5		01
06B	0502012861	1" SQUARE WASHER		01
06C	0501010065	1" SPRING WASHER		01
06D	0503010012	1" SPRING WASHER		01
06E	0501010059	1.5/8 NUT		01
07	0501064168	FRONT SCRAPER		08
08	0501064167	REAR SCRAPER		08
09	0501040257	ASSY 3/4 X 38 HOSE SUPPORT	9	01
10	0503010740	BOLT 1/2 UNC X 2 CS G.5 ZN		32
11	0511017302	FLAT WASHER 13,50 X 32,50 X 3,0 ZN		32
12	0503010060	1/2 UNC G.5 ZN HEX NUT		32
13	0511010839	TRANSPORT LOCK 7.9" X 2.1" X 0.4"		01
14	0501068994	8,30 X 78 LOCK PIN		01
15	0503030168	HITCH PIN CLIP		02
16	0503012555	SCREW 7/16 UNC X 2 CS RT G.7 ZN		02
17	0503010180	7/16" SPRING WASHER		02
18	0503062157	DRAWBAR JACK	10	01
19	0501069080	COUPLING SHAFT		01
20	0521010549	COUPLING SHAFT		01
21	0503031035	HITCH PIN CLIP		01
22	0503016140	3/4" WRENCH CABLE CYLINDRICAL		01
23	0501011431	1-3/4" GANG BOLT WRENCH		02
24	0511018451	5/8" X 3/4" X 1" UNIVERSAL		01



ASSY FRAME

0909095997

Item	Code	Description	See page	QT
25	0501061617	1" GANG BOLT WRENCH		01
26	0501030500	BAG WITH INSTRUCTION MANUAL		01
27	0501100012	WOODEN BOX 1700X470X500		01
28	0503011360	HOSE KIT	11	01
29	0501053834	MALE QUICK COUPLER	12	02
30	0502012702	BODY SUPPORT CLAMP		02
31		ASSY DISC SECTION	13	

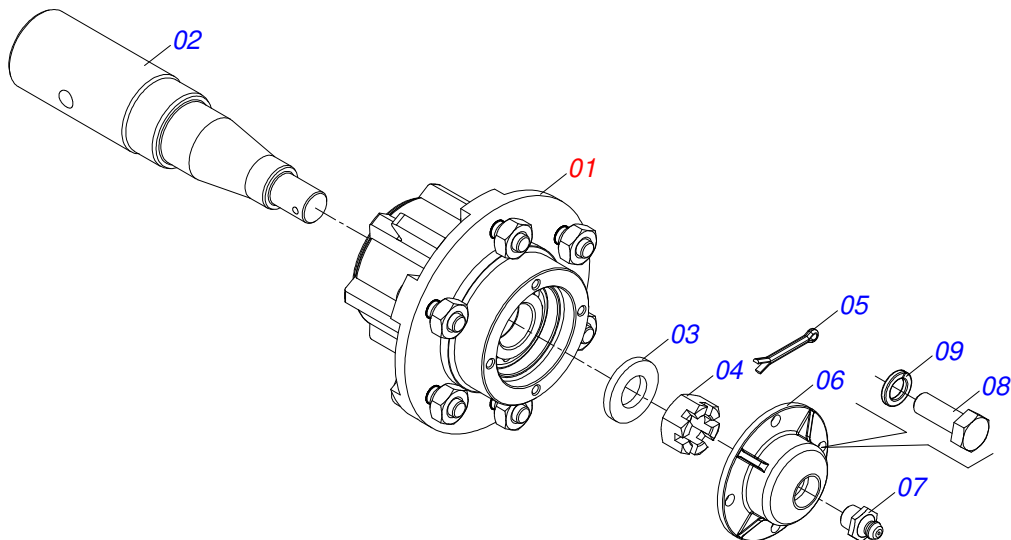


Item	Code	Description	See page	QT
01	0501064754	FRAME		01
02	0501110856	ARTICULATION BEARING		02
03	0503010797	3/4" X 4" BOLT		04
04	0503010014	3/4" ZN G.5 (HEAVY) UNC HEX NUT		08
05	0503010002	1800 GREASE FITTING		02
06	0501010322	20,50 X 46 X 4,00 ZN FLAT WASHER		04
07	0501017579	FLAT WASHER		02
08	0501011301	1.1/2" UNC 6FPP 2.5/16" NUT		02
09	0503010010	SPLIT PIN 1/4" X 2.1/2"		02
10	0501066262	OFFSET BAR		01
11	0521017538	11-1/2" X 5" COUPLING SHAFT		02
12	0511019880	FLAT WASHER		02
13	0501066235	UPPER PLATE WITH SUPPORT		01
14	0511013000	UPPER /LOWER PLATE		01
15	0501010334	1" X 7" BOLT		05
16	0501010059	1.5/8 NUT		07
17	0503011438	SPRING WASHER		05
18	0511012972	STABILIZER BAR TOWER		01
19	0521010576	0.9" X 3.7" COUPLING SHAFT		03
20	0503010571	1/4" X 1.1/2" SPLIT PIN		04
21	0501011445	FLAT WASHER		03
22	0511059180	HYDRAULIC CYLINDER 50,80 X 101,60 X 515 X 203	5	01
23	0503010523	1/4" X 2" SPLIT PIN		02
24	0521010779	31.75 X 95 COUPLING SHAFT		01
25	0501064698	SPRING ROD		01
26	1902020392	SPRING SUPPORT		02
27	0503030441	12.7" X 5.7" X 0.5" SPRING		01
28	0521010592	1.1" X 3.1" COUPLING SHAFT		01
29	0561011883	FLAT WASHER		01
30	0503031827	LUBRICATE AND RETIGHTEN DAILY DECAL		01

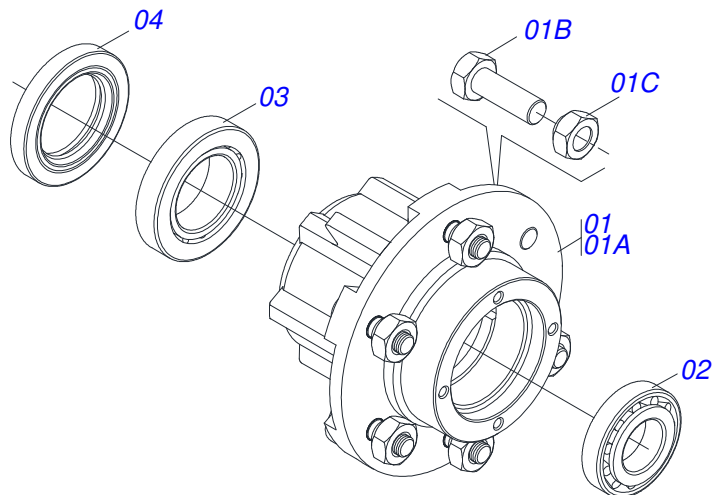


GAICR 30D - AXLE 1.5/8" - DOUBLE WHEEL
FRAME ASSY WITH DOUBLE CARRYING WHEEL - 24/28D

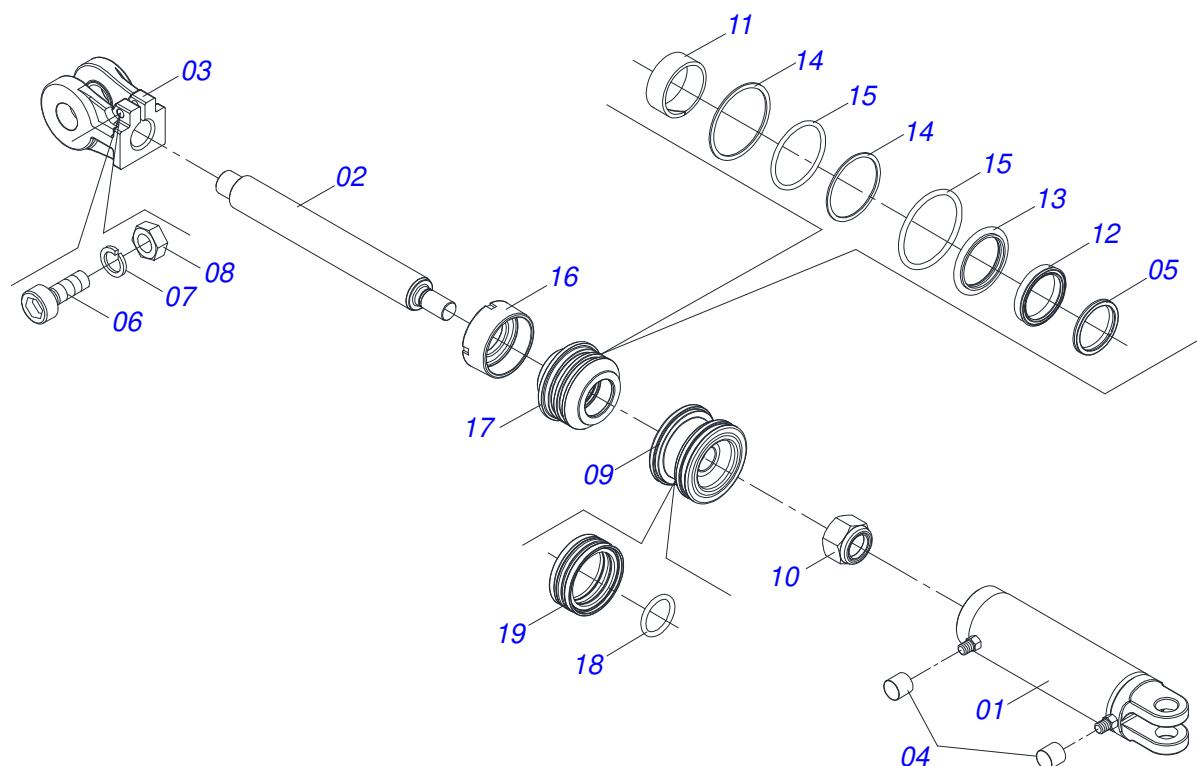
Item	Code	Description	See page	QT
31	0503031428	READ MANUAL DECAL		01
32	0503031087	AUTO CONTROL APPROVED DECAL		01
33	0511066932	STABILIZER BAR		01
34	0511065084	CARRYING-WHEELS SUPPORT		01
35	0501054931	STUB SHAFT & HUB	3	04
36	0503010547	1/2" X 4" BOLT		04
37	0503011440	SPRING WASHER		04
38	0503010060	1/2 UNC G.5 ZN HEX NUT		04
39	0511010174	1.2" X 5.9" COUPLING SHAFT		01
40	0501017779	FLAT WASHER 32 X 60 X 4,75		02
41	0503060787	GAICR DECAL SET		01
42	0503034499	HOSE IDENTIFICATION DECAL		01
43	0503034078	LIFTING POINTS DECAL		04
44	0503033038	DANGER DECAL		01
45	0503031738	WARNING DECAL		01
46	0503031739	DANGER DECAL		01



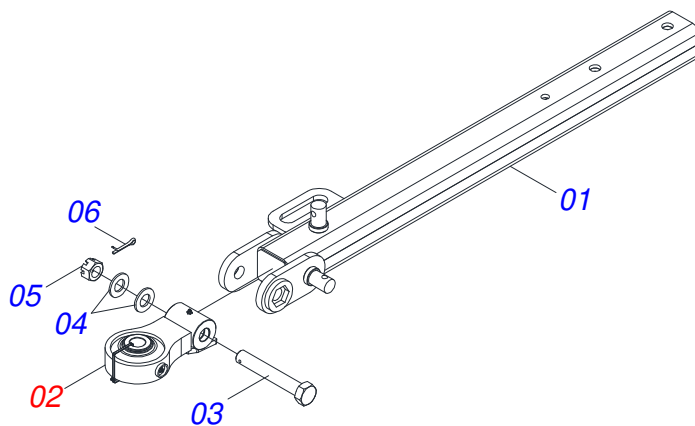
Item	Code	Description	See page	QT
01	0501051142	CARRYING WHEEL HUB	4	01
02	0541010739	2.5" X 12.2" AXLE		01
03	0501016545	FLAT WASHER		01
04	0503030009	1" CASTLE NUT		01
05	0503010018	5/32" X 1-1/2" SPLIT PIN		01
06	0502020591	PROTECCION COVER		01
07	0503010002	1800 GREASE FITTING		01
08	0503010358	5/16" X 5/8" BOLT		04
09	0503011444	SPRING WASHER 5/16"		04



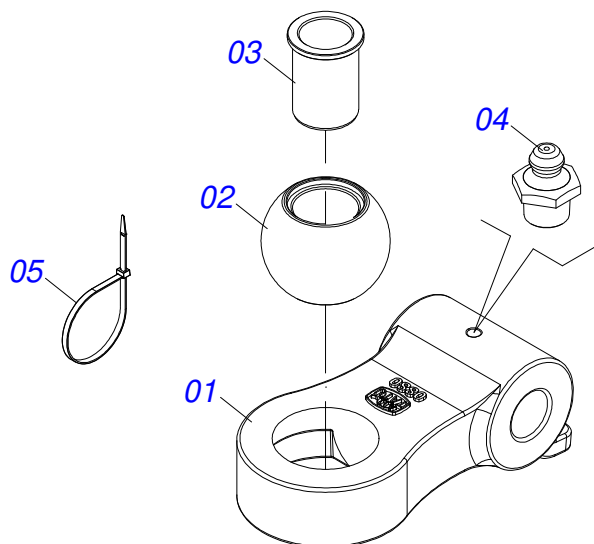
Item	Code	Description	See page	QT
01	0501110728	WHEEL HUB		01
01A	0502011121	CARRYING WHEEL HUB		01
01B	0501010127	9/16" X 1-7/8" LUG BOLT		06
01C	0503010035	9/16" CONIC NUT		06
02	0503010037	30207 ROLLER BEARING		01
03	0503010006	32210 ROLLER BEARING		01
04	0503012928	SEAL		01



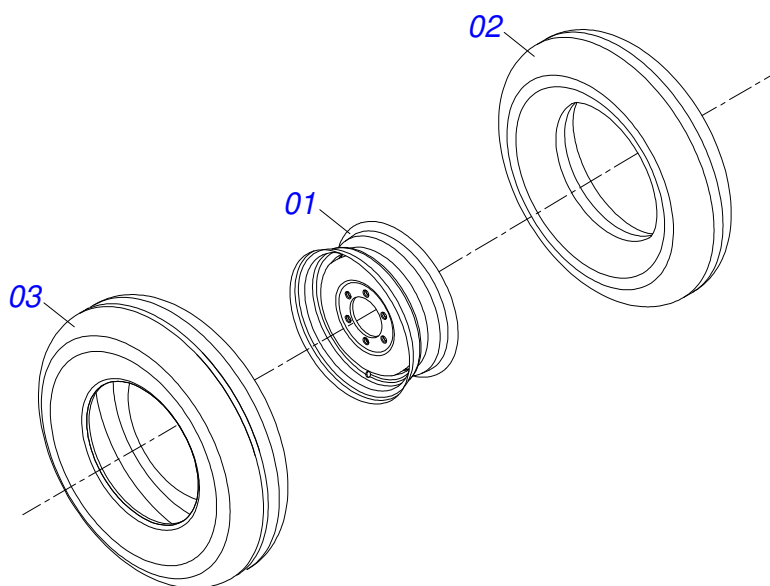
Item	Code	Description	See page	QT
01	0511070658	CYLINDER CASE		01
02	0571019958	HYDRAULIC CYLINDER TURNBUCKLE		01
03	0502040747	32.54 CLEVIS CLAMP		01
04	0503030385	CYLINDER PLUG N-002		02
05	0503010039	D-2000 SCRAPER RING		01
06	0503011094	BOLT 3/8" UNC X 2" C C S I 12.9		01
07	0503011443	SPRING WASHER 3/8"		01
08	0503010026	3/8" NUT		01
09	0502012820	2" X 4" PISTON		01
10	0503010817	SELF LOCKING NUT 1.1/4 UNF ALTA G.5 ZN		01
11	0503018025	RING GUIDE W2-2250-750		01
12	0503018026	GASKET 1870-2000-375 B POLYMAX		01
13	0503018024	RING BS OD050805200171D-BR		01
14	0503010338	2-342 N 3006-9B O-RING		02
15	0503011061	8-342 BACK-UP RING		02
16	0502012822	END CAP 4"		01
17	0502012821	2" X 4" RING SUPPORT		01
18	0503018029	O-RING 2-217 N 3006 90B		01
19	0503015633	SELEMASTER SEALING		01



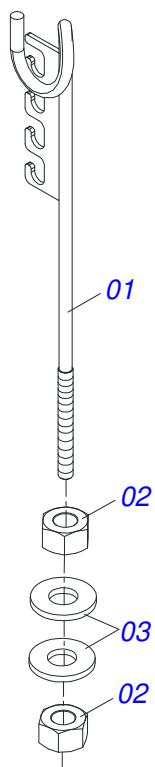
Item	Code	Description	See page	QT
01	0521069165	DRAWBAR		01
02	0521057520	HITCH ASSY	7	01
03	0581015973	1.1/4 UNC X 8 C S G5 SCREW		01
04	0501017779	FLAT WASHER 32 X 60 X 4,75		02
05	0503013026	1.1/4" CASTLE NUT		01
06	0503010010	SPLIT PIN 1/4" X 2.1/2"		01



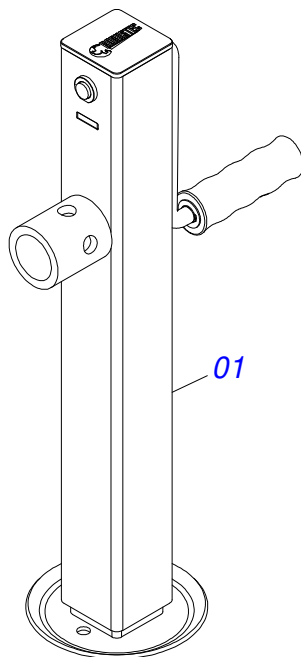
Item	Code	Description	See page	QT
01	0502040880	HITCH BODY		01
02	0502040885	BODY ATTACHMENT		01
03	0591012511	SLEEVE		01
04	0503010002	1800 GREASE FITTING		01
05	0503018829	NYLON CLAMP 7,8 X 1,8 X 390 MM		01



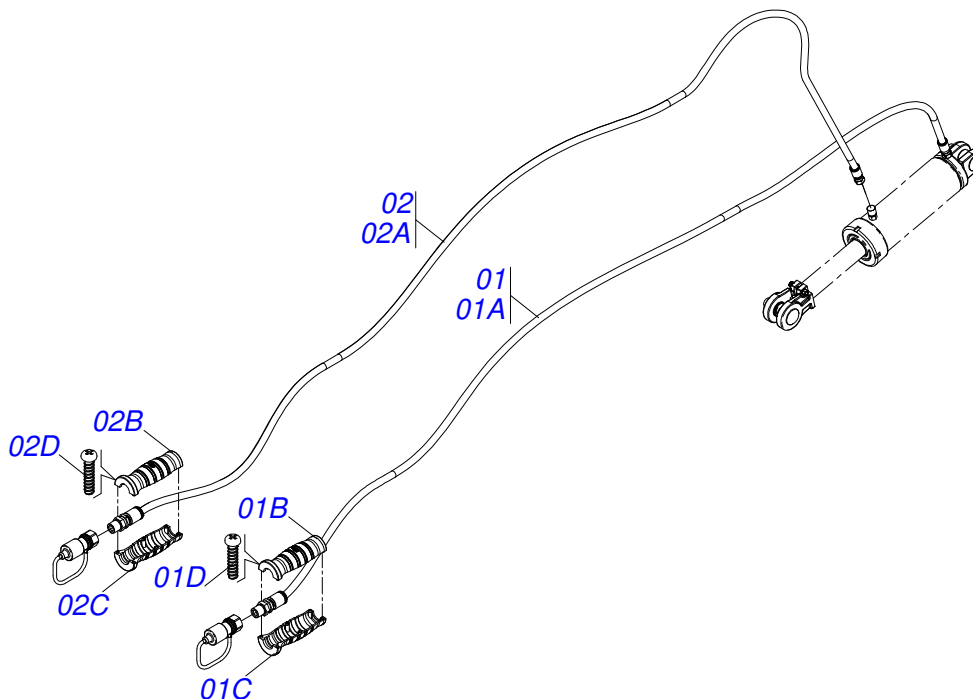
Item	Code	Description	See page	QT
01	0503010893	WHEEL		01
02	0503010033	7.50 X 16 INNER TIRE		01
03	0503010120	CANVAS TIRE		01



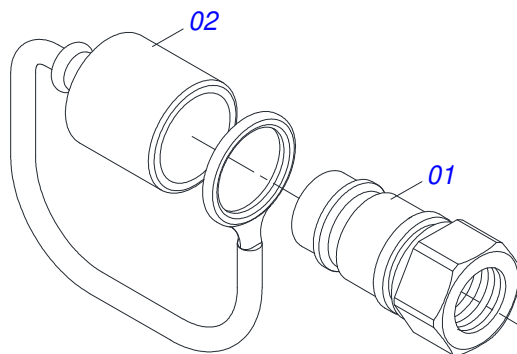
Item	Code	Description	See page	QT
01	0511067334	HOSE SUPPORT		01
02	0503010014	3/4" ZN G.5 (HEAVY) UNC HEX NUT		02
03	0501010322	20,50 X 46 X 4,00 ZN FLAT WASHER		02



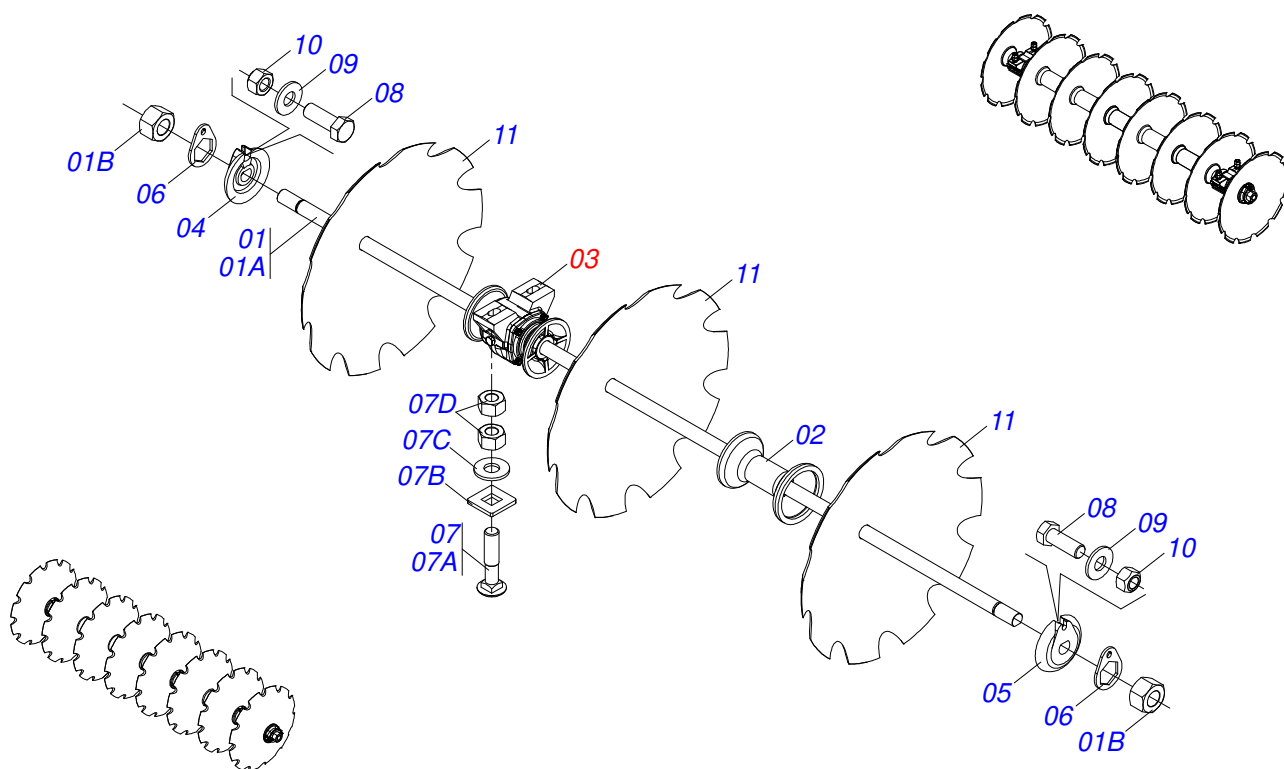
Item	Code	Description	See page	QT
01	0503062157	DRAWBAR JACK	10	01



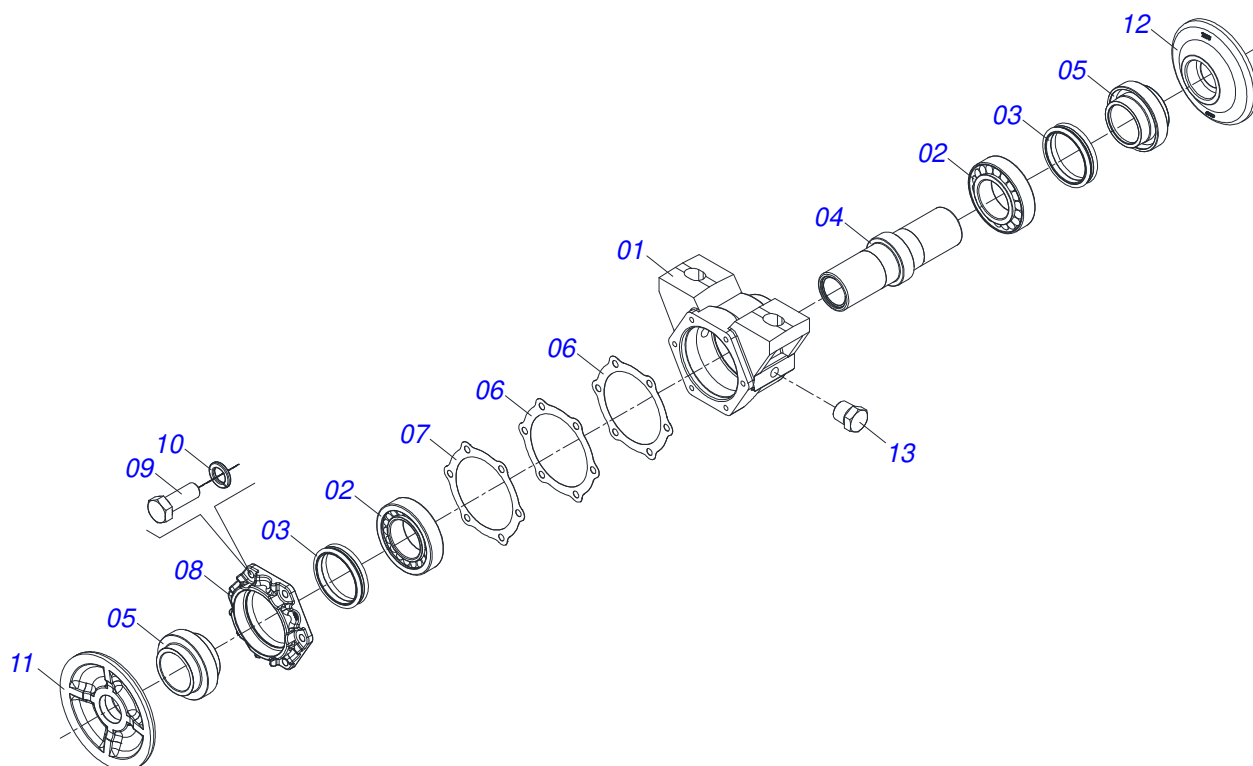
Item	Code	Description	See page	QT
01	0521056233	3/8 X 6000 TR-TM HOSE BLACK / RED		01
01A	0501080443	3/8 X 6000 TR-TM HOSE		01
01B	0503034495	HYDRAULIC HOSE GRIP (RED)		01
01C	0503034492	HYDRAULIC HOSE GRIP (BLACK)		01
01D	0503018952	PH 2,5 X 10 ZB PLASTIC BOLT		06
02	0521055893	3/8 X 5850 TR-TM HOSE BLACK / BLUE		01
02A	0501080421	3/8" X 230" TR-TM HOSE		01
02B	0503034492	HYDRAULIC HOSE GRIP (BLACK)		01
02C	0503034494	HYDRAULIC HOSE GRIP (BLUE)		01
02D	0503018952	PH 2,5 X 10 ZB PLASTIC BOLT		06



Item	Code	Description	See page	QT
01	0503011627	MALE QUICK COUPLER AGR 1/2 NPT		01
02	0503011882	MALE QUICK COUPLER CAP		01



Item	Code	Description	See page	QT
01	0501046854	1-5/8" X 48" AXLE WITH NUTS 2-3/4		06
01A	0501019016	1-5/8 X 48" AXLE		01
01B	0502040640	1.5/8" 2.3/4" NUT		02
02	0502010703	10.35" 1-5/8" SPACER		12
03	0501046925	BEARING	14	12
04	0502011048	1-5/8" EXTERNAL AXLE WASHER		06
05	0502011047	1-5/8" INNER AXLE WASHER		06
06	0511014339	1-5/8" 2.8" NUT LOCK		12
07	0511040034	3/4" X 3-1/4" BOLT ASSY		24
07A	0501017303	3/4" X 3-1/4" BOLT		01
07B	0501010949	3/4" SQUARE WASHER		01
07C	0501010322	20,50 X 46 X 4,00 ZN FLAT WASHER		01
07D	0503010014	3/4" ZN G.5 (HEAVY) UNC HEX NUT		02
08	0503011267	BOLT 5/8" UNC X 1.1/2 C S G.5 ZN		12
09	0501012140	FLAT WASHER 16,50 X 40 X 4,00 ZN		12
10	0503012412	5/8" UNC SELF LOCKING NUT		12
11	0602037006	DR 28 X 7,5 C102AF04FR1.11/16 10REC TATU		30



Item	Code	Description	See page	QT
01	0502020481	HOUSING DM		01
02	0503010005	32212 ROLLER BEARING		02
03	0503030027	DUO-CONE SEAL		02
04	0502010900	BEARING AXLE		01
05	0502010735	SEAL RETAINER		02
06	0503030030	5.6" X 4.4" X 0.01" GASKET		02
07	0503030685	5.5" X 4.4" X 0.003" GASKET		01
08	0502020161	WEAR PLATE BEARING		01
09	0503010237	3/8" X 1" BOLT		06
10	0503011443	SPRING WASHER 3/8"		06
11	0502040239	OUTER FLANGE		01
12	0502040240	INNER FLANGE		01
13	0503010856	OIL PLUG R 3/8 BSPT		01



MARCHESAN

Technical Publications | Elaboration and Revision

ALESSANDRA PATRICIA KAWAHARA CARRILI

www.marchesan.com.br

