

PCA - AGRICULTURAL FRONT LOADER

PCA 1200 VTR BH SHT CD TQA 145A185-4

Code: 0501093143
Series: S-0907
Revision: 00
Date Revision: JANEIRO/2022

PARTS CATALOGUE



MARCHESAN



PRODUCTS

Code	Description
0106110879	PCA 1200 VTRBH145A185-4SHTCD TQA

ATTENTION: IMPORTANT

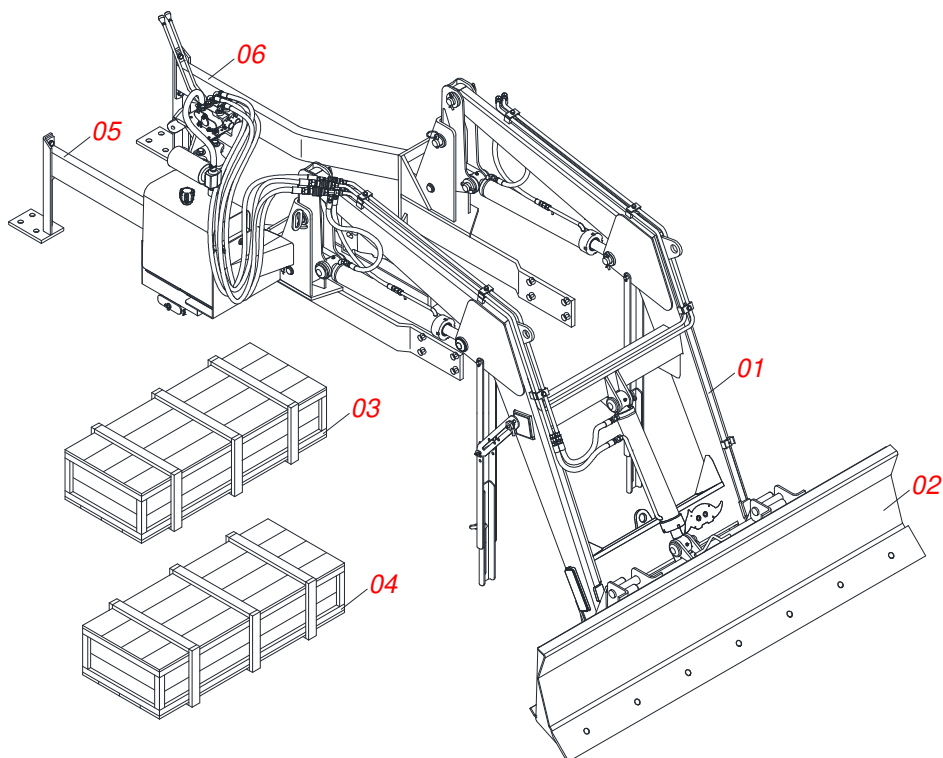
Marchesan S.A. reserves the right to improve and / or modify the technical features of its products, without obligation to do the same with those products already sold and without prior knowledge of the dealer or the consumer.



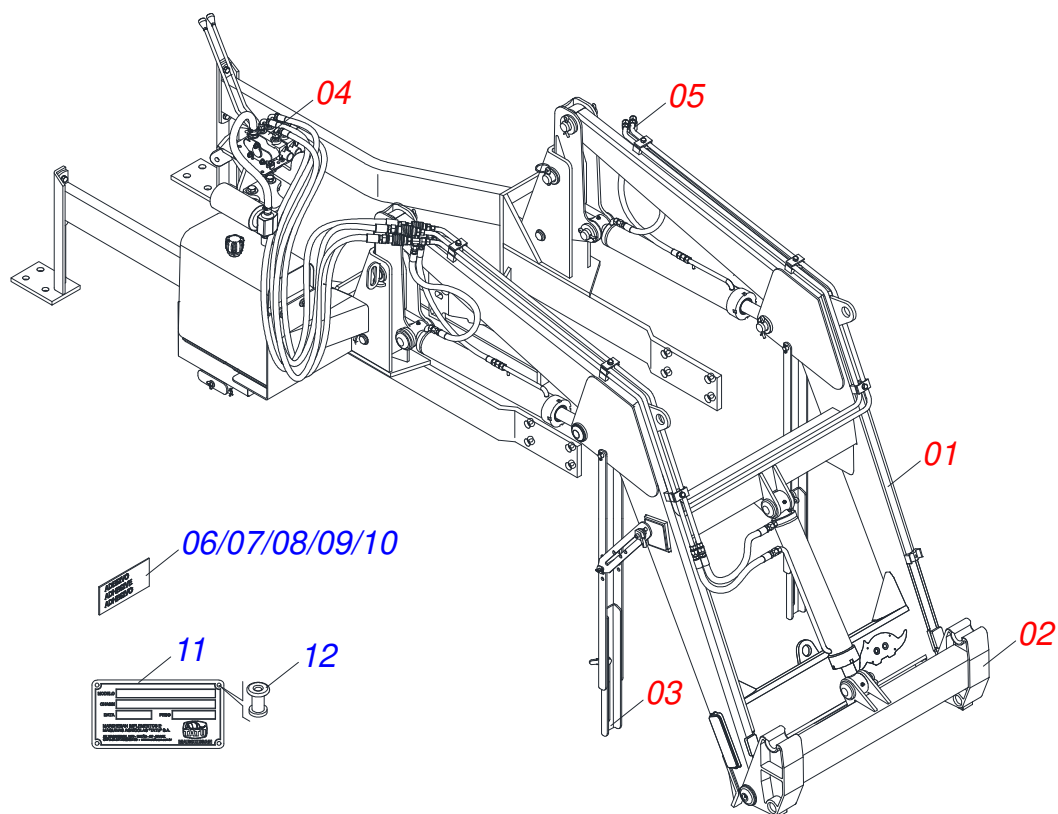
MARCHESAN

INDEX

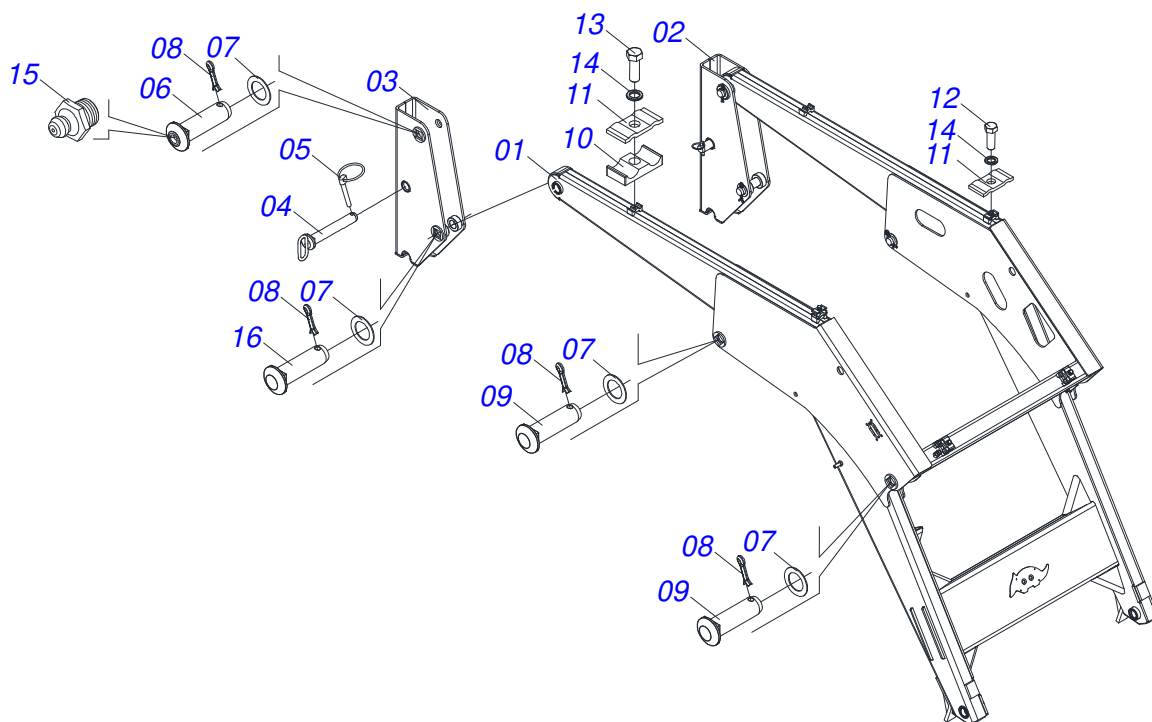
0106110879	PCA 1200 VTRBH145A185-4SHTCD TQA	1
0511046415	FULL MOBILE SUPPORT	2
0909096117	MOBILE SUPPORT GUIDE ASSY	3
0909096115	ARTICULATION	4
0909096116	SUPPORT ASSEMBLE	5
0909096109	HYDRAULIC CIRCUIT SHT	6
0511046336	PUMP WITH TUBE	7
0501049879	OIL RESERVOIR	8
0501041108	RETURNING FILTER ASSY	9
0521042592	DOBLE COMMAND 1/2 HIDROV/DANFOSS ASSY	10
0501053835	FEMALE QUICK COUPLER	11
0909096110	HYDRAULIC CIRCUIT SUPPORT MOVEL	12
0511057976	HYDRAULIC CYLINDER	13
0511057975	HYDRAULIC CYLINDER	14
0511057771	R.7/8UNF - SAFETY VALVE	15
0501053834	MALE QUICK COUPLER WITH CAP - 1/2 NPT	16
0511045185	2600MM DOZER BLADE ASSY	17
0511022965	BOX WITH COMPONENTS	18
0501057996	BATTERY BOX	19
0501057995	TANK COVER EXTENSION	20
0501036451	PACKED PARTS	21
0511022949	COMPONENT BOX	22
0511044706	1.1/4 NC X 950 FULL ROD	23
0501047446	STARTER COMPLETE CONTROL	24
0501036439	PACKAGED PARTS	25



Item	Code	Description	See page	QT
01	0511046415	FULL MOBILE SUPPORT	2	01
02	0511045185	2600MM DOZER BLADE ASSY	17	01
03	0511022965	BOX WITH COMPONENTS	18	01
04	0511022949	COMPONENT BOX	22	01
05	0511069271	RIGHT CHASSIS SHT PCA		01
06	0511069273	LEFT FRAME		01

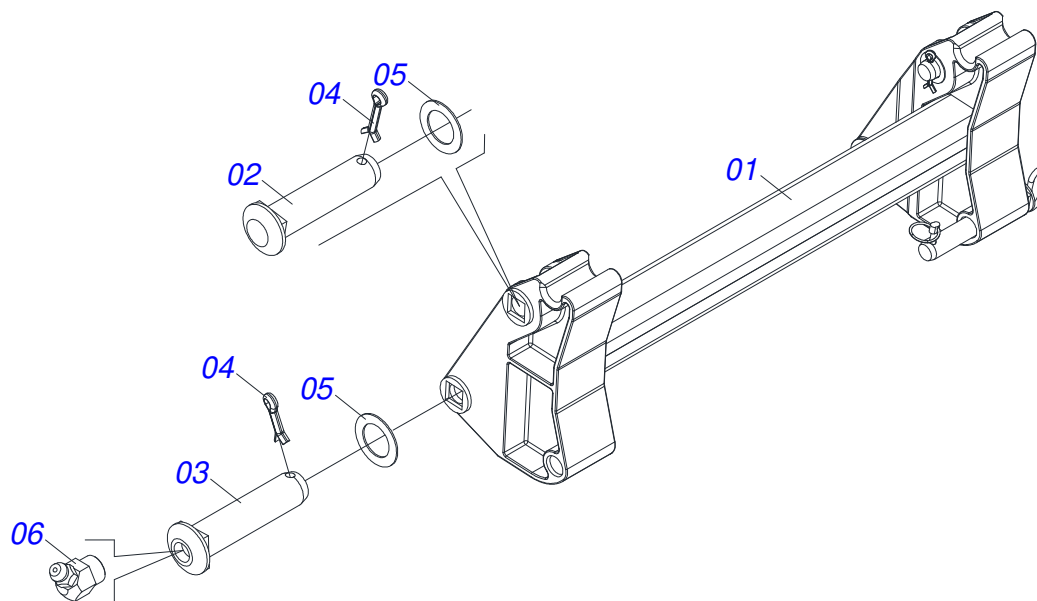


Item	Code	Description	See page	QT
01	0909096117	MOBILE SUPPORT GUIDE ASSY	3	01
02	0909096115	ARTICULATION	4	01
03	0909096116	SUPPORT ASSEMBLE	5	01
04	0909096109	HYDRAULIC CIRCUIT SHT	6	01
05	0909096110	HYDRAULIC CIRCUIT SUPPORT MOVEL	12	01
06	0503062240	ADHESIVE LABELS SET		01
07	0503031087	ADHESIVE LABEL		01
08	0503031428	READ MANUAL DECAL		01
09	0503031827	LUBRICATE AND RETIGHTEN DAILY DECAL		01
10	0503034078	LIFTING POINTS DECAL		03
11	0503034003	SERIAL NUMBER TAG 61 X 118		01
12	0503010001	3.2 X 5.5 RIVET		04

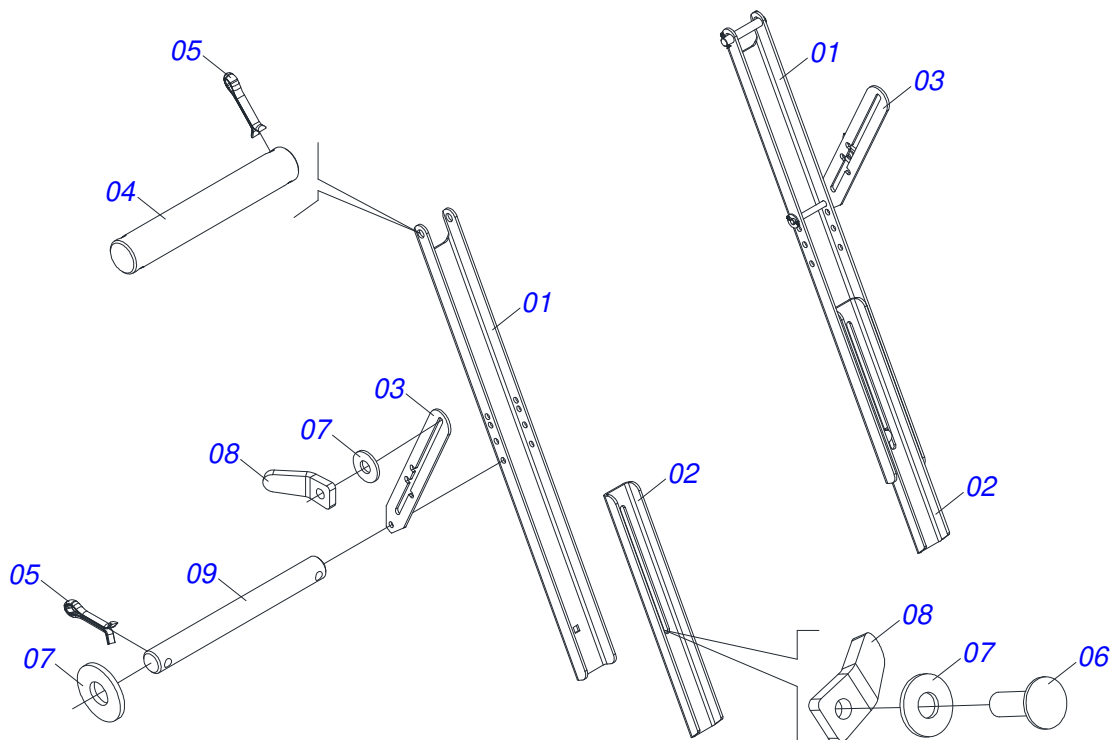


Item	Code	Description	See page	QT
01	0511069377	MOBILE SUPPORT		01
02	0511069379	MOBILE TOWER, RIGHT		01
03	0511069380	MOBILE TOWER, LEFT		01
04	0511064410	1.5" X 8.1" COUPLING SHAFT		02
05	0503030430	7/16 X 2" PIN LOCK		02
06	0521012870	1.46" X 6.18" PIVOT SHAFT		02
07	0511019685	FLAT WASHER		06
08	0503010534	3/8 X 2-1/2 COTTERPIN		06
09	0521012868	1.4" X 5" PIVOT SHAFT		04
10	0502010477	HOSE CLAMP		04
11	0531011180	UPPER BODY CLIP		06
12	0503011102	BOLT 7/16 UNC X 1.1/4 C S G.5 ZN		02
13	0503012555	SCREW 7/16 UNC X 2 CS RT G.7 ZN		04
14	0503010180	7/16" SPRING WASHER		06
15	0503010002	1800 GREASE FITTING		02
16	0521012869	COUPLING SHAFT		02

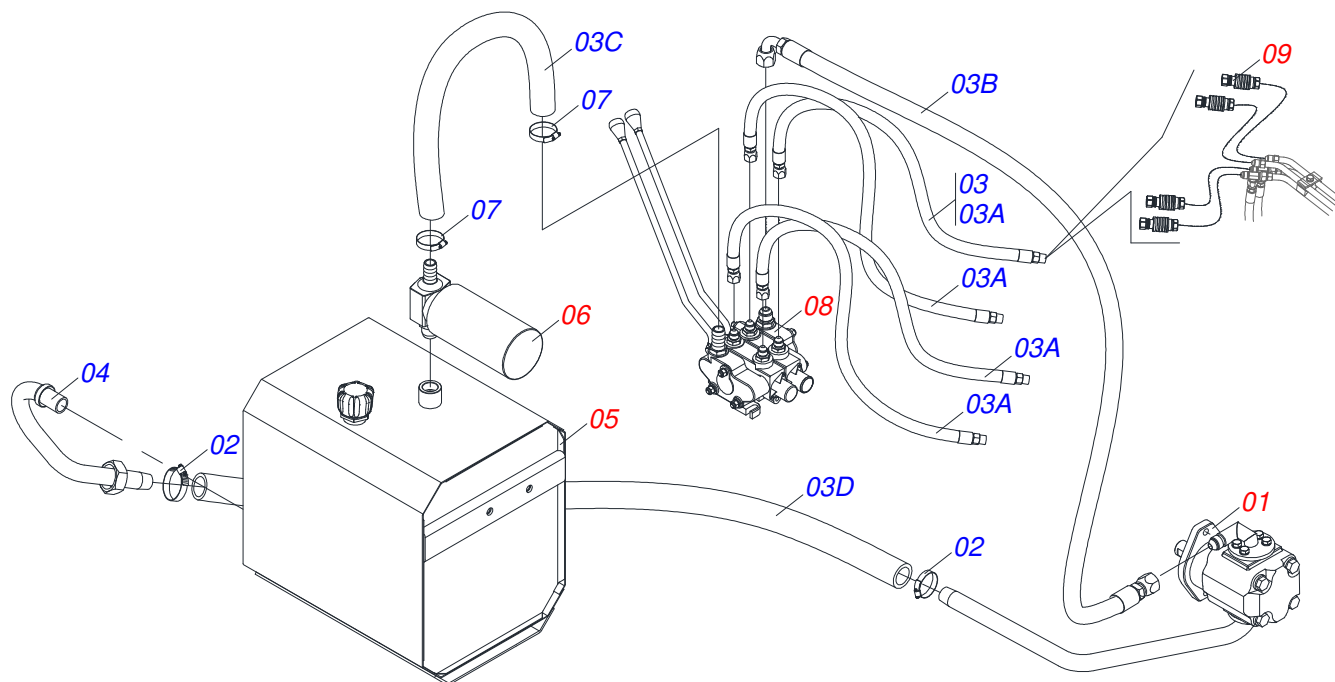
ARTICULATION



Item	Code	Description	See page	QT
01	0501069939	PIVOT SUPPORT		01
02	0521012869	COUPLING SHAFT		02
03	0521012870	1.46" X 6.18" PIVOT SHAFT		02
04	0503010534	3/8 X 2-1/2 COTTERPIN		04
05	0511019685	FLAT WASHER		04
06	0503010003	1845 GREASE FITTING		02

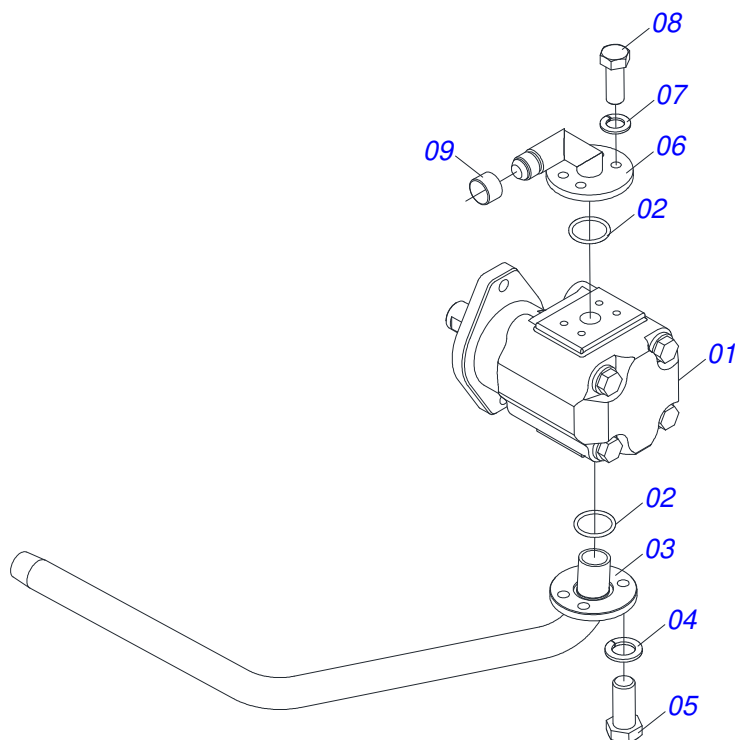


Item	Code	Description	See page	QT
01	0561016401	PLOUGH SUPPORT BODY		02
02	0561016619	COMPLEMENTON REST		02
03	0511019634	CONTROL LOCK		02
04	0511013598	3/4" X 4.7" COUPLING SHAFT		02
05	0503010071	3/16" X 1" COTTERPIN		06
06	0503014378	1/2" X 1-1/2" BOLT		02
07	0511017302	FLAT WASHER		06
08	0561016329	LATCH HOLDER REST PCA		06
09	0521012823	COUPLING SHAFT		02



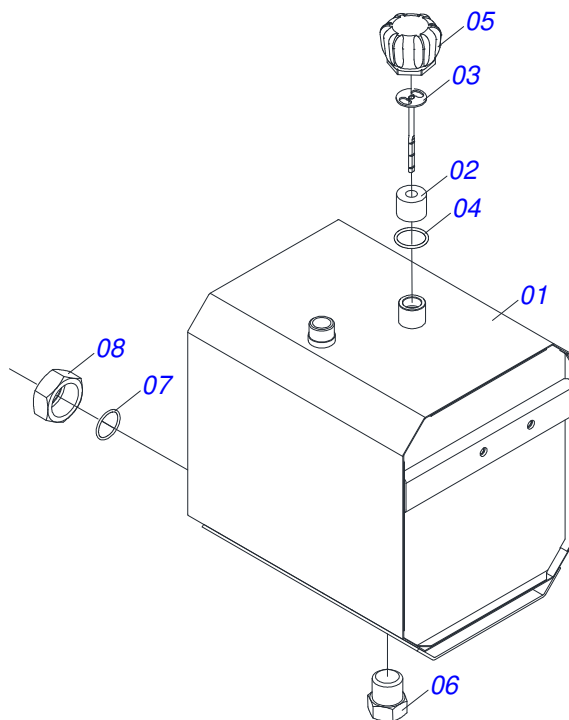
Item	Code	Description	See page	QT
01	0511046336	PUMP WITH TUBE	7	01
02	0503010243	CLAMP		02
03	0501057970	HOSE SET		01
03A	0501080849	1/2" X 2100 TR-TM HOSE		04
03B	0501080255	HOSE 3/4 X 3300 TR-TR		01
03C	0551013650	1" X 1300 AB-AB HOSE ASSY		01
03D	0511016008	1.1/4 X 2200 AB- AB HOSE		01
04	0501063383	TANK OUTER TUBE		01
05	0501049879	OIL RESERVOIR	8	01
06	0501041108	RETURNING FILTER ASSY	9	01
07	0503010184	CLAMP		02
08	0521042592	DOBLE COMMAND 1/2 HIDROV/DANFOSS ASSY	10	01
09	0501053835	FEMALE QUICK COUPLER	11	04

PUMP WITH TUBE

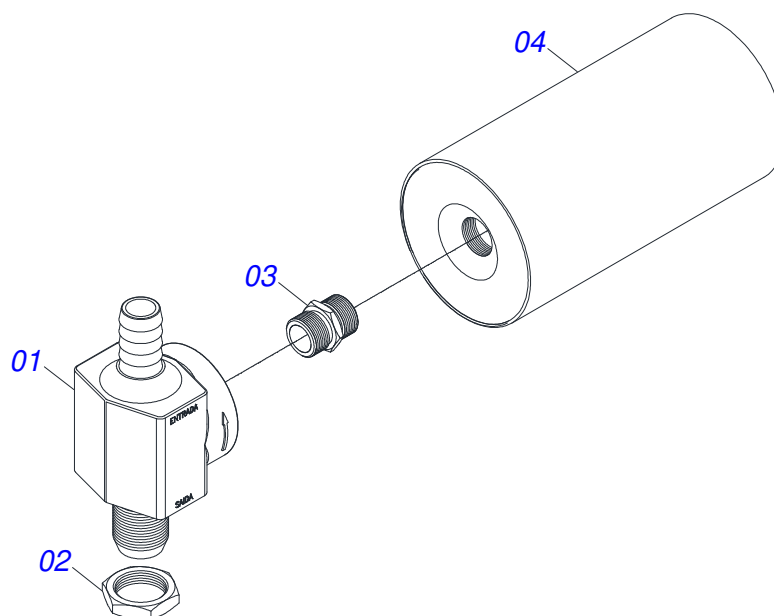


Item	Code	Description	See page	QT
01	0503062013	H40 PUMP SHAFT 1 CHV		01
02	0503010173	2-220 N 3006-9B O'RING		02
03	0511069226	PUMP SUCTION DUCT		01
04	0503010180	7/16" SPRING WASHER		04
05	0503010355	7/16" X 1" BOLT		04
06	0501067719	PUMP PRESSURE TUBE		01
07	0503010025	3/8" SPRING WASHER		04
08	0503011087	3/8" X 1" BOLT		04
09	0503030388	PLUG N-005		01

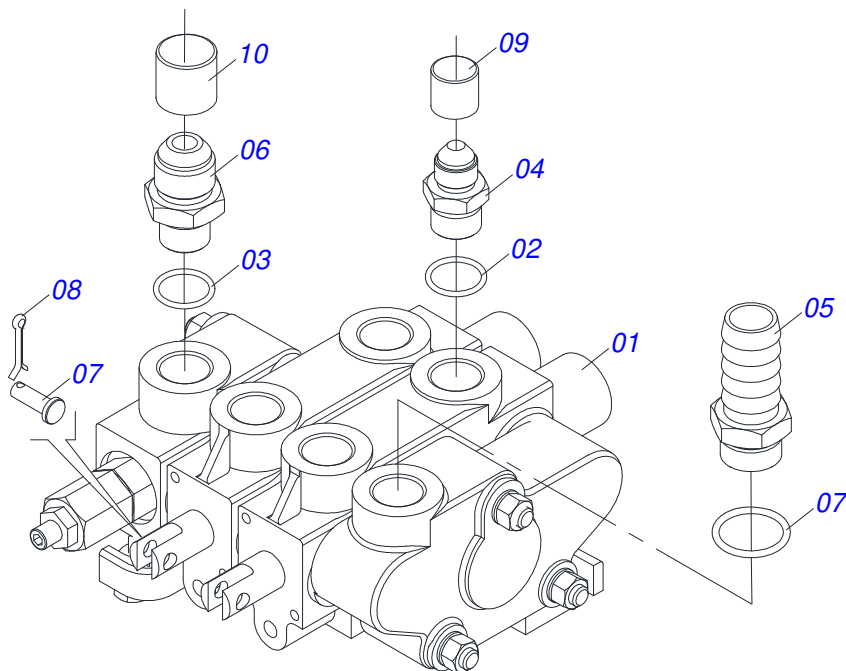
OIL RESERVOIR



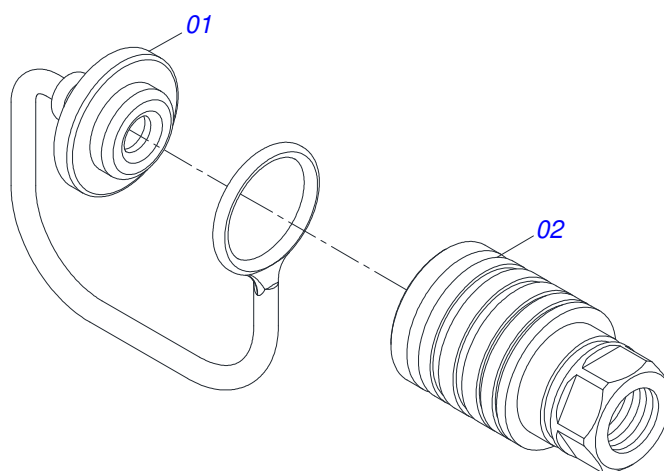
Item	Code	Description	See page	QT
01	0511063248	OIL RESERVOIR		01
02	0503030044	FILTERING ELEMENT		01
03	0501060975	OIL GAGE		01
04	0503010185	2-221 N 3006-9B O'RING		01
05	0502020472	FRONTAL COVER		01
06	0503031604	1/2" BSP PLUG		01
07	0503010046	2-216 N 3006-9B O'RING		01
08	0501016309	2" 1X 2.5/16" NUT		01



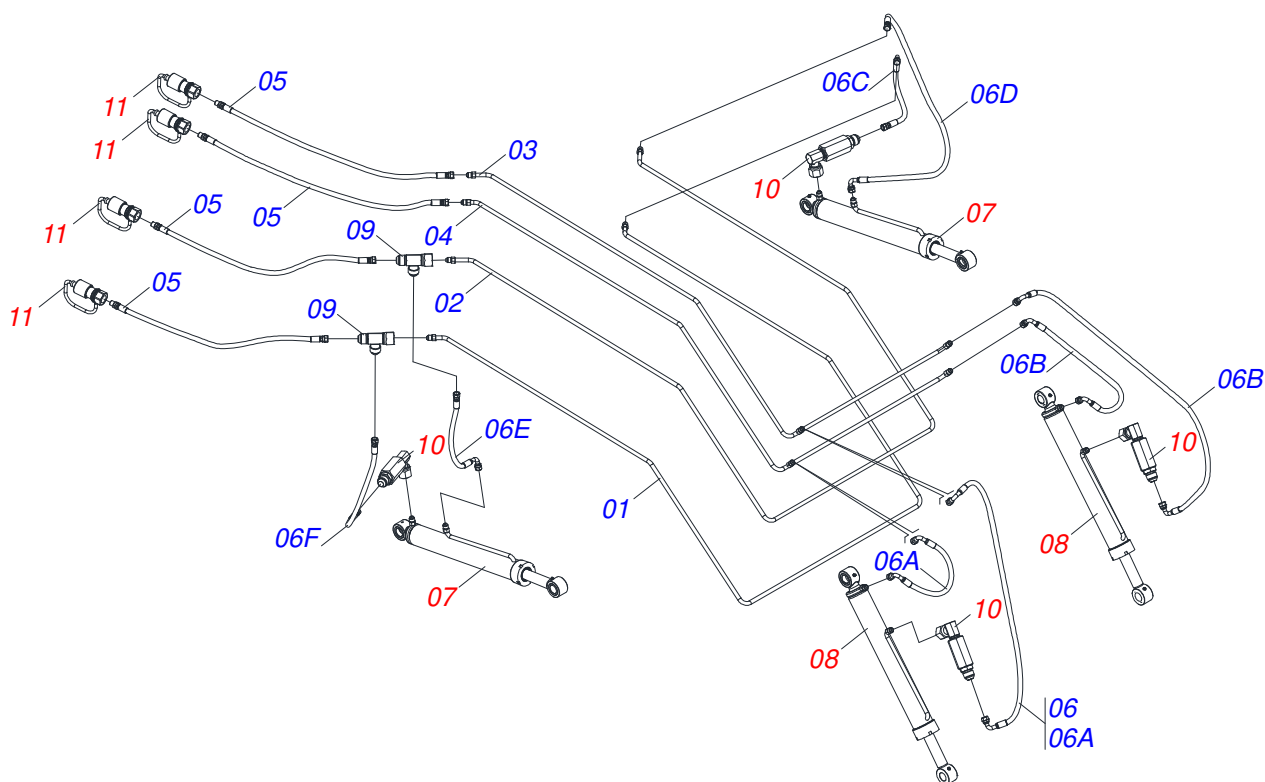
Item	Code	Description	See page	QT
01	0502050002	RETURNING FILTER HEAD		01
02	0501010594	1" NUT		01
03	0501010595	1" NF NIPPLE		01
04	0503010183	RETURNING FILTER		01



Item	Code	Description	See page	QT
01	0503060081	1/2" DOUBLE COMMAND		01
02	0503010045	O'RING		04
03	0503011109	2-119 N 3006-9B O'RING		02
04	0501010590	NIPPLE		04
05	0501010591	HOSE NIPPLE		01
06	0501010589	R. 1.1/16UN SEXT 1.1/4 X 52 NIPPLE		01
07	0521010533	0.3" X 1" COUPLING SHAFT		02
08	0503010140	1/8" X 3/4" COTTERPIN		02
09	0503030385	CYLINDER PLUG N-002		04
10	0503030388	PLUG N-005		01

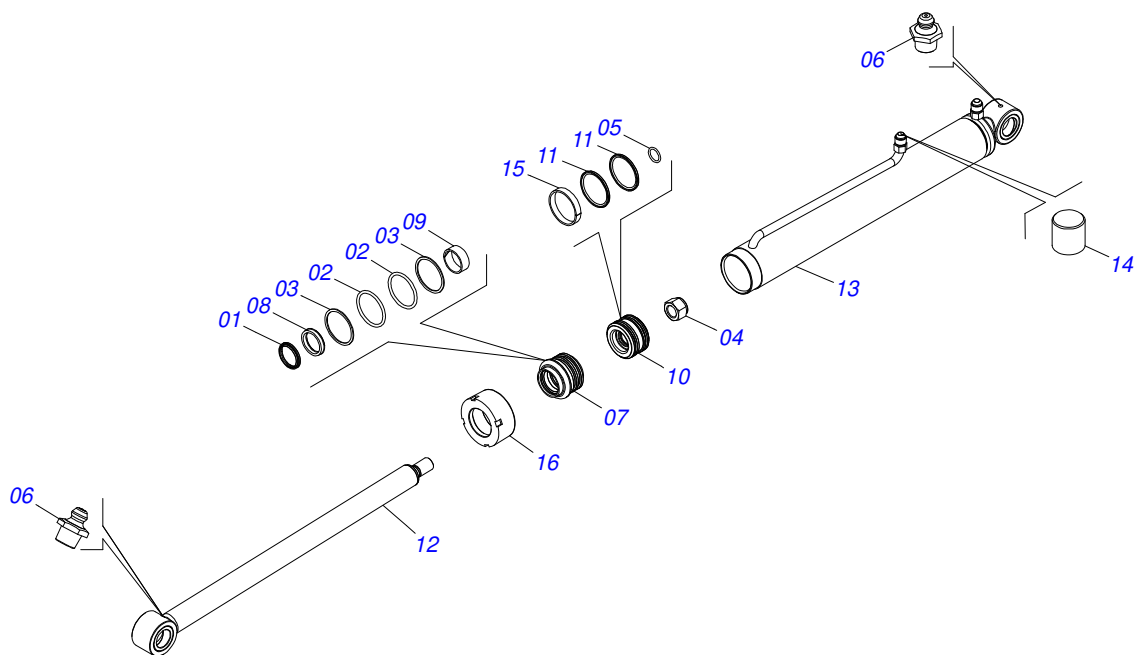


Item	Code	Description	See page	QT
01	0503011883	QUICK CONNECTION COVER		01
02	0503011628	FEMALE QUICK COUPLER		01

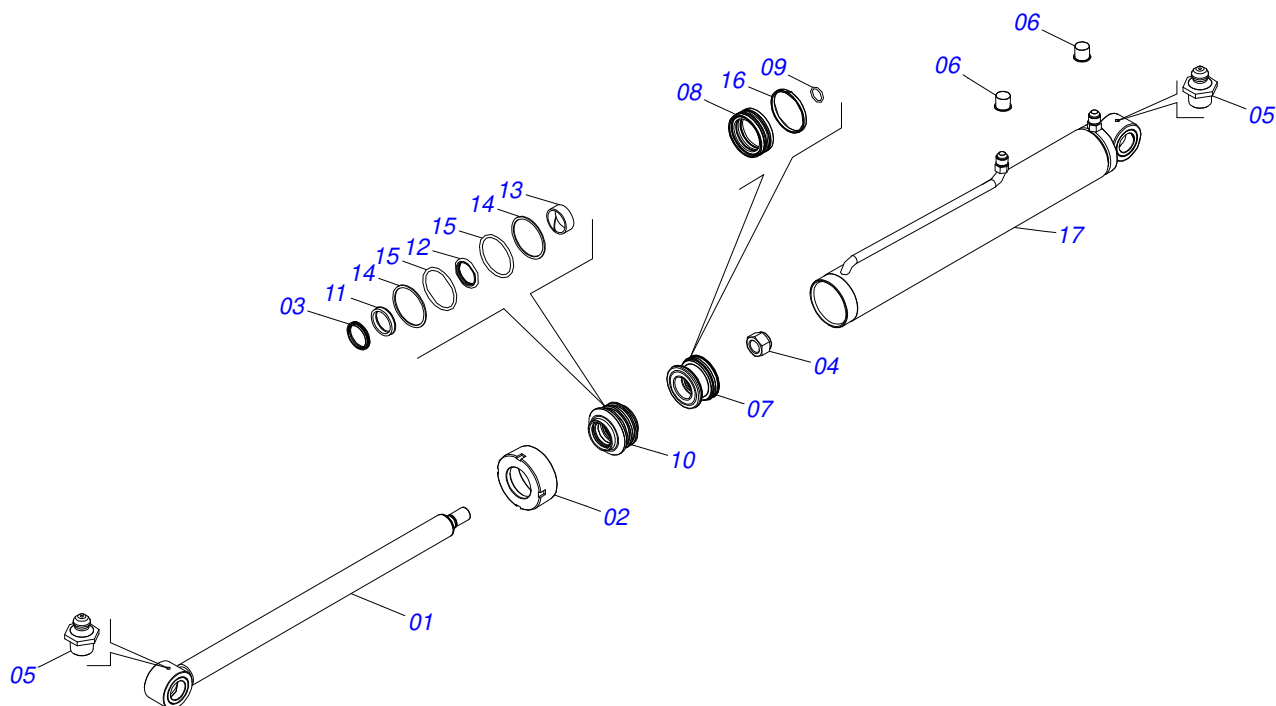


Item	Code	Description	See page	QT
01	0511069408	OUTER OIL TUBE		01
02	0511069409	INNER OIL TUBE		01
03	0511069648	OIL TUBE DISTRIBUTOR		01
04	0511069649	OIL TUBE DISTRIBUTOR		01
05	0501080849	1/2" X 2100 TR-TM HOSE		04
06	0501057960	HOSE SET MOBILE SUPPORT		01
06A	0501081381	TC-TC HOSE		02
06B	0501081382	TC-TC HOSE		02
06C	0501081511	HOSE 1/2 X 700 TC-TC		01
06D	0501080123	1/2 X 800 TR-TC HOSE ASSY		01
06E	0501080092	1/2" X 700 TR-TC HOSE		01
06F	0501080109	1/2" X 800 TR-TR HOSE		01
07	0511057976	HYDRAULIC CYLINDER	13	02
08	0511057975	HYDRAULIC CYLINDER	14	02
09	0503012341	T 7/8" ADAPOR GIRAT NUT		02
10	0511057771	R.7/8UNF - SAFETY VALVE	15	04
11	0501053834	MALE QUICK COUPLER WITH CAP - 1/2 NPT	16	04

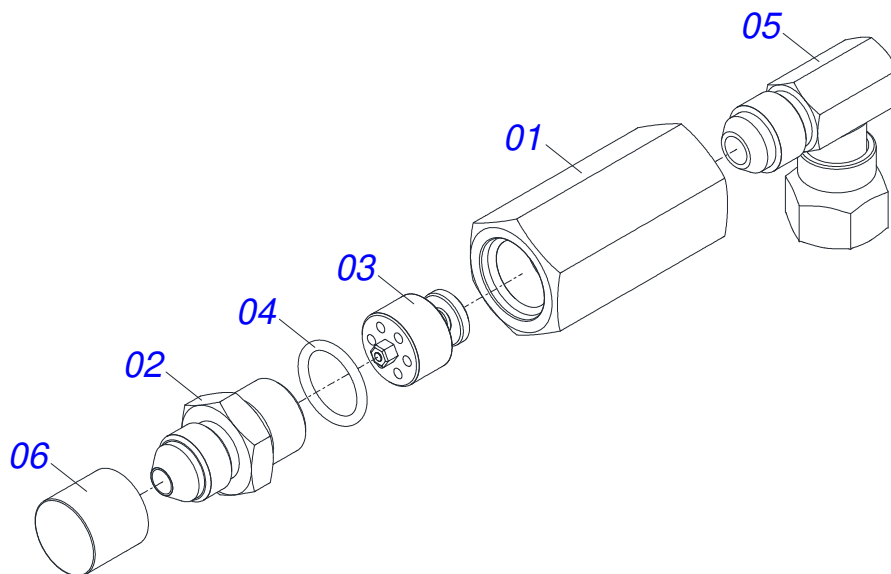
HYDRAULIC CYLINDER



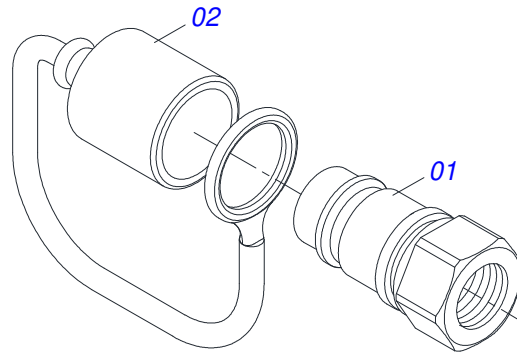
Item	Code	Description	See page	QT
01	0503010761	D-1750 SCRAPER RING		01
02	0503010343	2-334 N 3006-9B O'RING		02
03	0503011059	8-334 BACK-UP RING		02
04	0503010063	1" SELF-ALIGNING NUT		01
05	0503010042	2-214 N 3006-9B O'RING		01
06	0503010002	1800 GREASE FITTING		02
07	0581010301	RING SUPPORT		01
08	0503017937	GASKET		01
09	0503017938	RING GUIDE		01
10	0581010397	1.7" X 3.4" PISTON		01
11	0503018138	RING BS		02
12	0521066466	1.7" X 28.18" TURNBUCLE		01
13	0521066465	CYLINDER CASE 76,20 X 723		01
14	0503030387	PLUG		02
15	0503010992	W2-3000-500 PK RING G.E		01
16	0502011899	MOBILE COVER		01
17	0511033692	HYDRAULIC CYLINDER REPAIR KIT		01



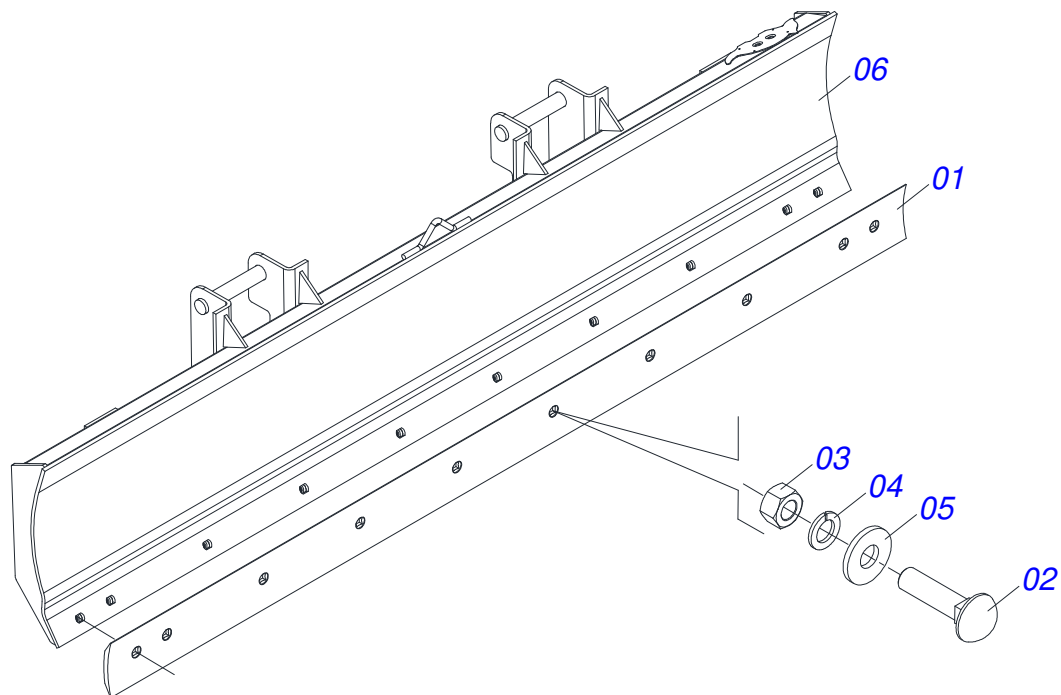
Item	Code	Description	See page	QT
01	0521066410	X 22"TURNBUCLE		01
02	0571019709	DETACHABLE COVER		01
03	0503010761	D-1750 SCRAPER RING		01
04	0503010063	1" SELF-ALIGNING NUT		01
05	0503010002	1800 GREASE FITTING		02
06	0503030387	PLUG		02
07	0571019710	1.7" X 3.4" PISTON		01
08	0503017935	RING		01
09	0503010042	2-214 N 3006-9B O'RING		01
10	0571019711	RING SUPPORT		01
11	0503017937	GASKET		01
12	0503017936	RING		01
13	0503017938	RING GUIDE		01
14	0503017940	8-337 BACK-UP RING		02
15	0503017939	2-337 N 3006-9B O' RING		02
16	0503018144	RING		01
17	0511069348	2.4" X 37" CYLINDER CASE		01
18	0511032281	HYDRAULIC CYLINDER REPAIR KIT		01



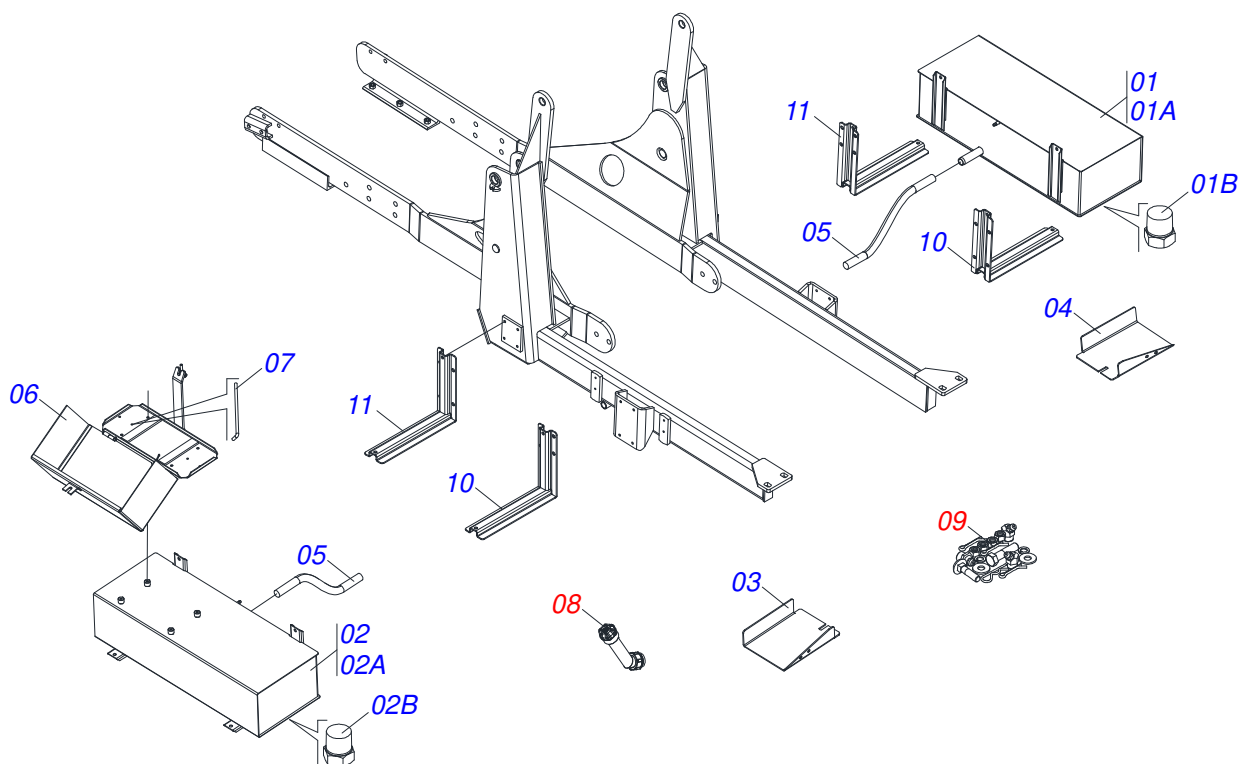
Item	Code	Description	See page	QT
01	0503018033	37 X R.7/8 UNF 90° JIC MALE CONNECTOR WITH ROTATING NUT		01
02	0581014053	1/2 BSP X 7/8 UNF JIC X 64 ADAPTER		01
03	0503016854	VALVE ASSY		01
04	0503010045	O'RING		01
05	0581014052	1/2 BSP X 7/8 UNF JIC X 43 NIPLE		01
06	0503030387	PLUG		01



Item	Code	Description	See page	QT
01	0503011627	MALE QUICK COUPLER AGR 1/2 NPT		01
02	0503011882	MALE QUICK COUPLER CAP		01

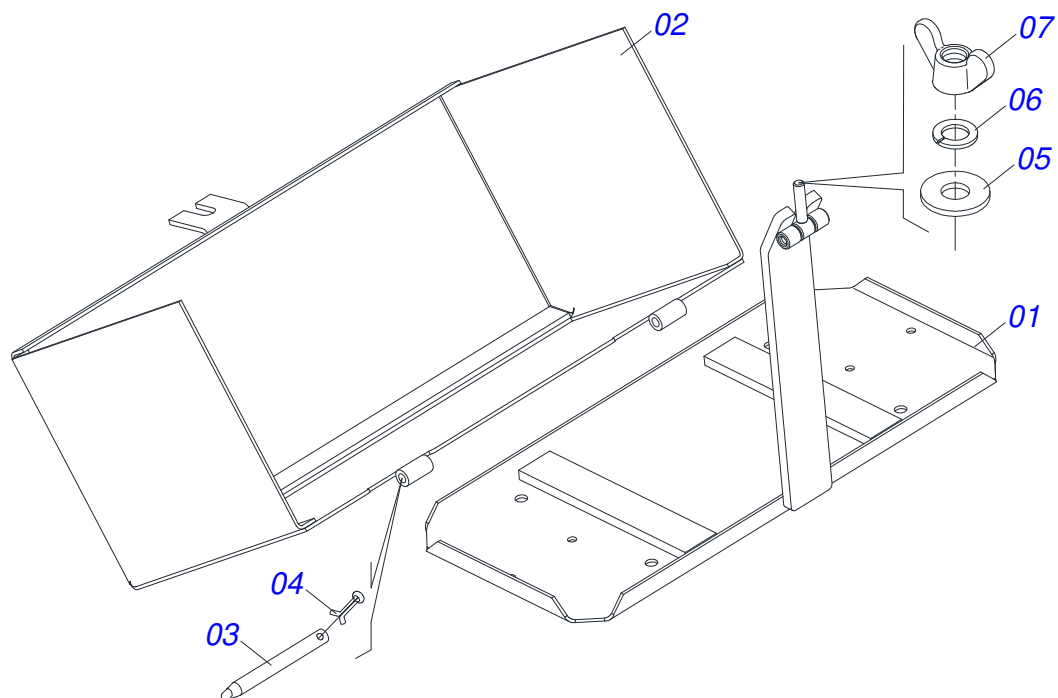


Item	Code	Description	See page	QT
01	0622360011	2600 SCRAPER REVERSIBLE		01
02	0501012240	BOLT		08
03	0503010013	5/8" NUT		08
04	0503011445	SPRING WASHER		08
05	0501012140	FLAT WASHER		08
06	0511067600	DOZER BLADE		01



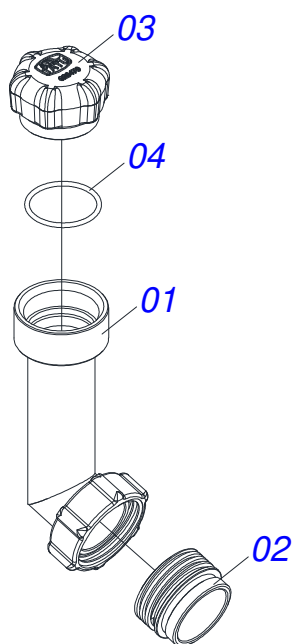
Item	Code	Description	See page	QT
01	0501057985	RIGHT TUBE TANK OIL		01
01A	0511069294	RIGHT AUXILIARY TANK		01
01B	0503031604	1/2" BSP PLUG		01
02	0501057986	LEFT TUBE TANK OIL		01
02A	0511069295	LEFT AUXILIARY TANK		01
02B	0503031604	1/2" BSP PLUG		01
03	0551017061	RIGHT TUBE TANK OIL PROTECTION		01
04	0551017062	LEFT TUBE TANK OIL PROTECTION		01
05	0503012733	AUXILIARY TANK TUBE		02
06	0501057996	BATTERY BOX	19	01
07	0541014241	BATTERY FIXER		02
08	0501057995	TANK COVER EXTENSION	20	01
09	0501036451	PACKED PARTS	21	01
10	0511069293	REAR FIXER		02
11	0511069292	REAR FIXER		02

BATTERY BOX

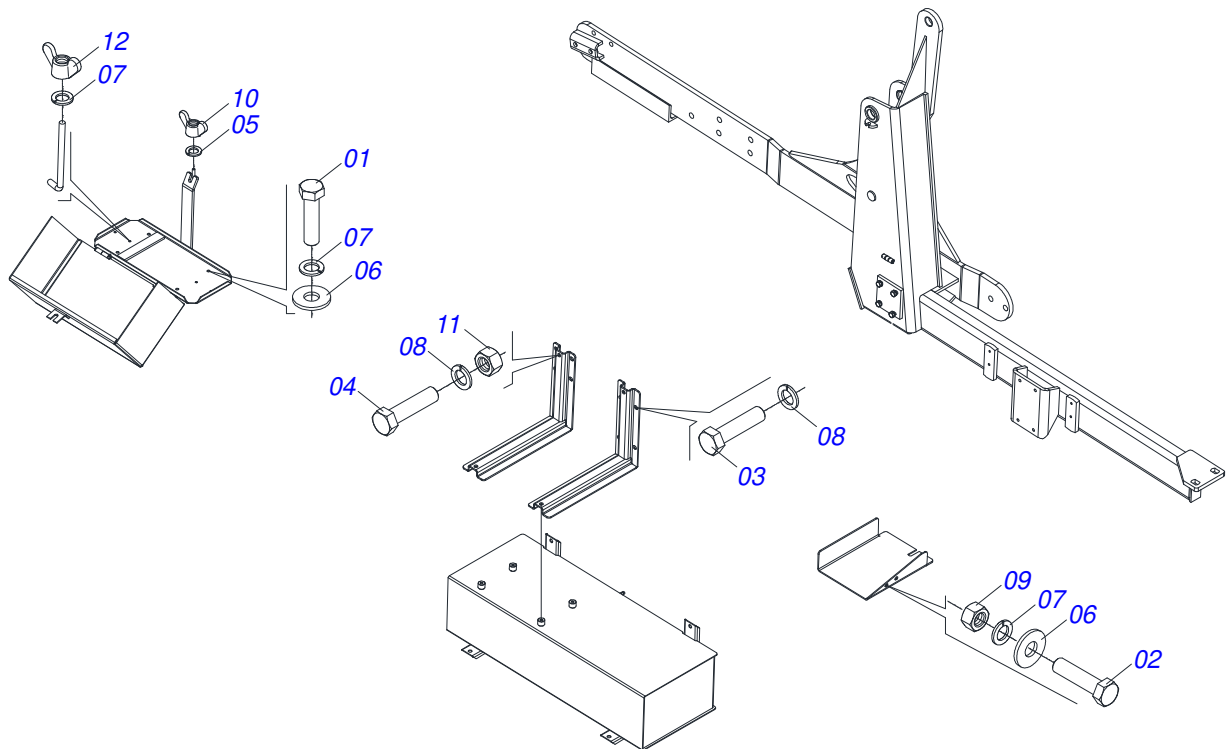


Item	Code	Description	See page	QT
01	0511069375	BATTERY BOX BASE		01
02	0511069314	BATTERY BOX COVER		01
03	0501017574	0.3" X 2.7" AXLE		02
04	0503010140	1/8" X 3/4" COTTERPIN		02
05	0501010984	FLAT WASHER		01
06	0503010025	3/8" SPRING WASHER		01
07	0503010209	3/8" UNC BUTTERFLY NUT		01

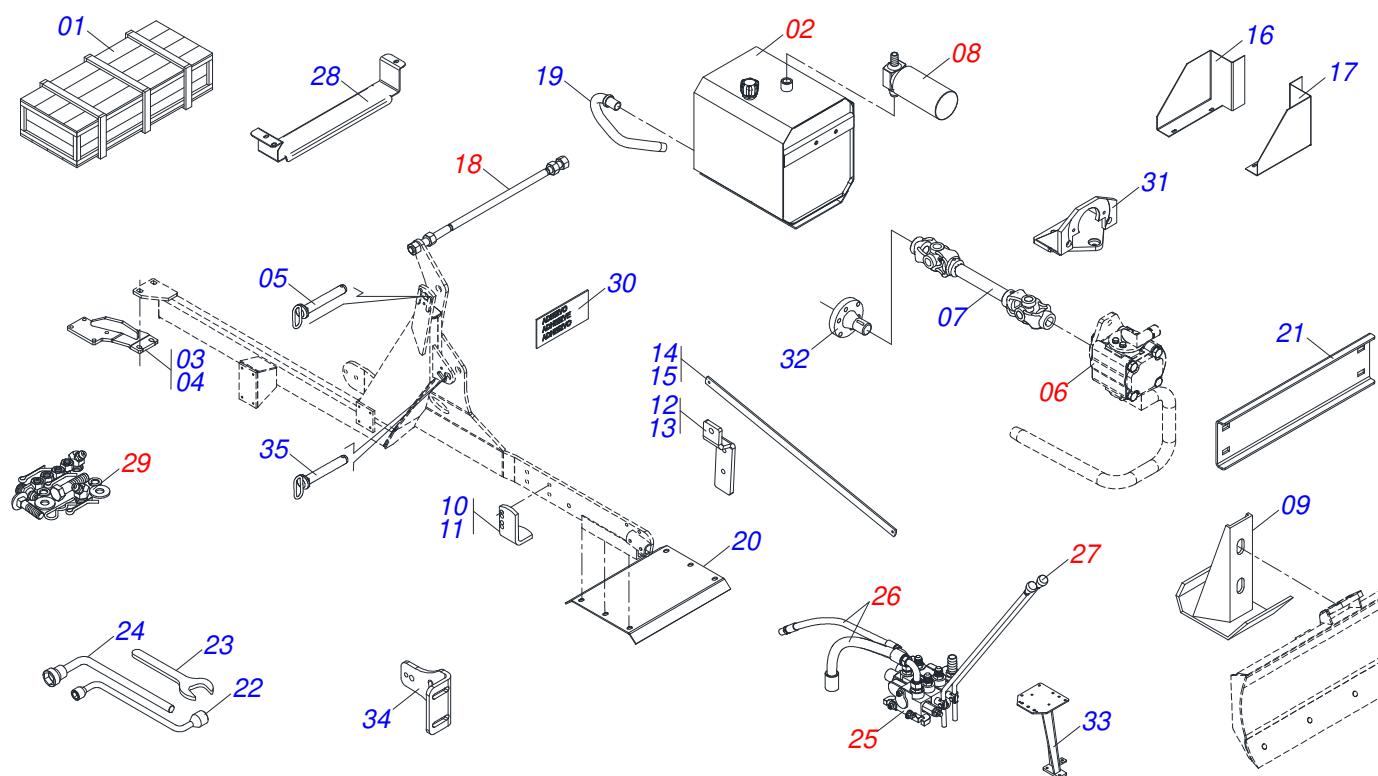
TANK COVER EXTENSION



Item	Code	Description	See page	QT
01	0511069343	DIESEL TANK MOUTH EXTENDER		01
02	0511011777	EXTENDER		01
03	0502020549	TANK COVER		01
04	0503010141	2-226 N 3006-9B O'RING		02



Item	Code	Description	See page	QT
01	0503010256	3/8" X 3/4" BOLT	04	
02	0503010751	C3/8" X 1.1/4" HEX BOLT G.5	04	
03	0503011401	1/2" X 3/4" BOLT	16	
04	0503010834	1/2 X 1 BOLT	08	
05	0501010694	8.5 X 18 X 1.5 FLAT WASHER	02	
06	0501010984	FLAT WASHER	08	
07	0503010025	3/8" SPRING WASHER	04	
08	0503010019	1/2" SPRING WASHER	24	
09	0503010026	3/8" NUT	04	
10	0503010499	5/16" UNC BUTTERFLY NUT	02	
11	0503010060	1/2" NUT	08	
12	0503010209	3/8" UNC BUTTERFLY NUT	01	



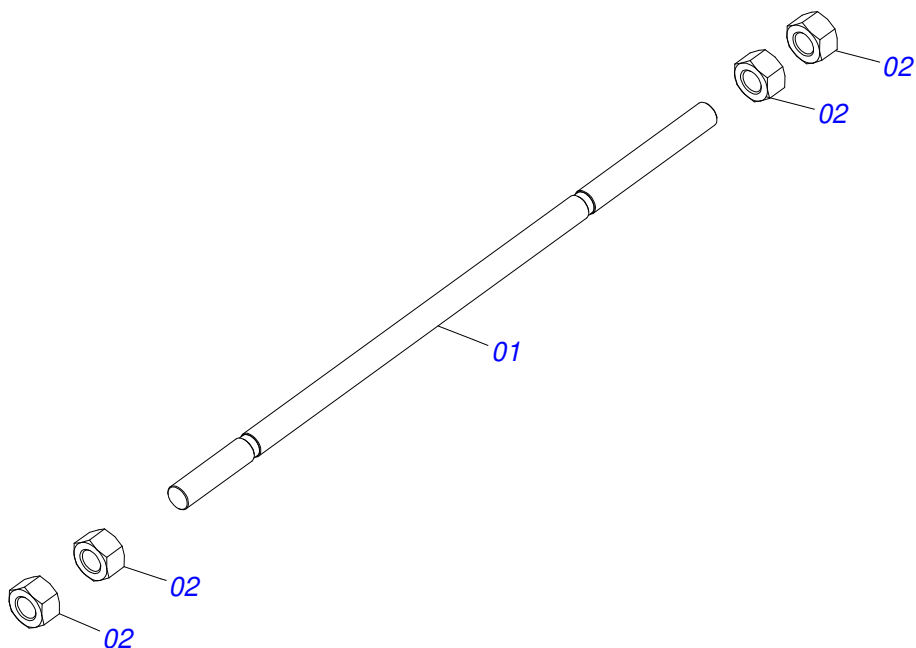
Item	Code	Description	See page	QT
01	0501100504	BOX		01
02	0501049879	OIL RESERVOIR	8	01
03	0501064839	RH FRAME BRACKET		01
04	0501064840	LH FRAME BRACKET		01
05	0511064410	1.5" X 8.1" COUPLING SHAFT		02
06	0511046336	PUMP WITH TUBE	7	01
07	0521040135	CARDAN 20 X 506 T10/T10 CC1071/6		01
08	0501041108	RETURNING FILTER ASSY	9	01
09	0501063411	ESTABILIZER BRACKET		02
10	0511069282	FRONT AXLE RIGHT BEATER		01
11	0511069283	LEFT BEATER FRONT AXLE		01
12	0551017901	SUPPORT FIXER RIGHT		01
13	0551017880	LEFT SUPPORT FIXER		01
14	0551017904	LOCK RIGHT		01
15	0551017905	LOCK LEFT		01
16	0551017064	RADIATOR RIGHT PROTECTION		01
17	0551017065	LEFT RADIATOR PROTECTION		01
18	0511044706	1.1/4 NC X 950 FULL ROD	23	01
19	0501063383	TANK OUTER TUBE		01
20	0541017381	FRAME LOCK		01
21	0541011011	FRONT PROTECTOR PUMP		01
22	0501068213	5/8" WRENCH DOUBLE		01
23	0501061617	1" GANG BOLT WRENCH		01
24	0511010153	2-5/16" FIXED WRENCH		01
25	0521042592	DOBLE COMMAND 1/2 HIDROV/DANFOSS ASSY	10	01
26	0909096109	HYDRAULIC CIRCUIT SHT	6	01
27	0501047446	STARTER COMPLETE CONTROL	24	02
28	0551018567	OIL RADIATOR SUPPORT		01
29	0501036439	PACKAGED PARTS	25	01
30	0503030770	ADHESIVE LABEL		01
31	0511069225	PD PUMP SUPPORT		01



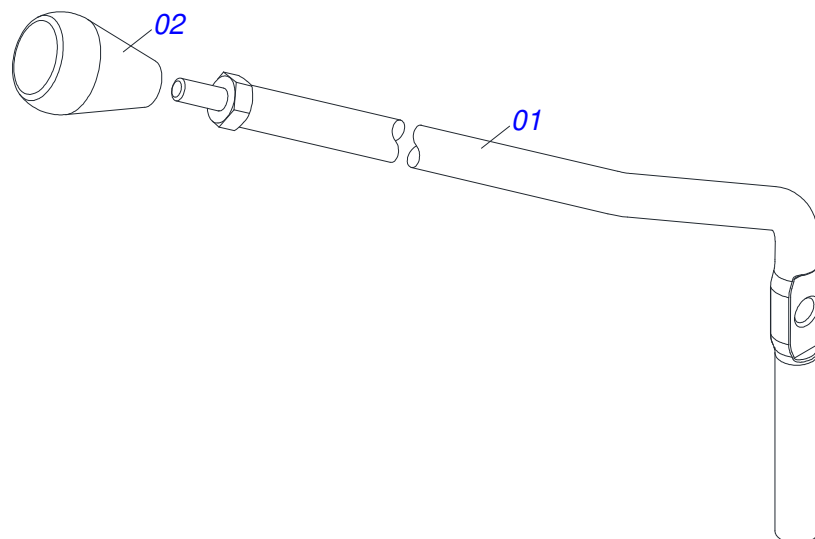
COMPONENT BOX

0511022949

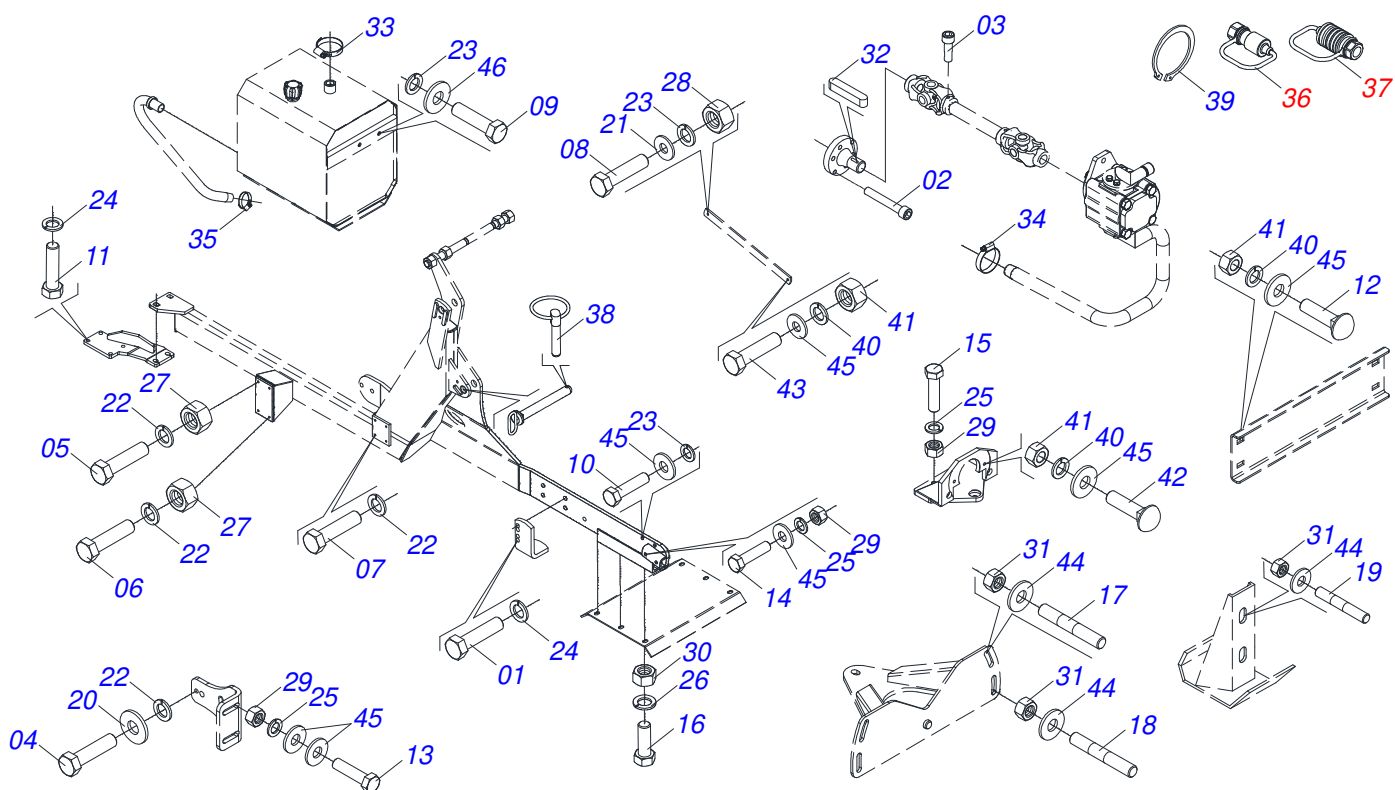
Item	Code	Description	See page	QT
32	0521016647	FLANGE COUPLING		01
33	0521061623	SUPPORT CONTROL VALVE		01
34	0571010158	FIXER GUIDE MOBILE SUPPORT		02
35	0521066515	37,20 X 240 ARTICULATION SHAFT WITH HANDLE		02



Item	Code	Description	See page	QT
01	0541019517	1.1/4" ROD		01
02	0501010087	1.1/4" NUT		04



Item	Code	Description	See page	QT
01	0501047446	STARTER COMPLETE CONTROL	24	02
02	0503030878	LEVER CRANK		02



Item	Code	Description	See page	QT
01	0503014141	M6 X 1 X 20 BOLT		04
02	0503014776	TORNILLO M 8 X 1.25 X 85 C S I 12.9		06
03	0503011148	3/8" X 1/2" BOLT		02
04	0503011334	BOLT 3/8 UNC X 3/4 CS G.5 ZN		04
05	0503010751	C3/8" X 1.1/4" HEX BOLT G.5		01
06	0501010080	3/8" BOLT		03
07	0503014746	M10 X 1,5 X 40 BOLT		04
08	0503010834	1/2 X 1 BOLT		02
09	0501010161	1/2" X 1.1/4" BOLT		06
10	0503010920	1/2" X 1.1/2" BOLT		02
11	0503015106	5/16 UNF X 3/4 C S G.5 ZN BOLT		04
12	0503012407	5/8" X 1-1/2" BOLT		04
13	0503011267	BOLT 5/8 UNC X 1.1/2 C S G.5 ZN		06
14	0501010100	SCREW 5/8 UNC X 2 CS G.5 ZN		06
15	0503011167	M16 X 2 X 30 BOLT		03
16	0501010500	3/4"X3"BOLT		04
17	0501010603	3/4" X 3.74" STUD		10
18	0511014160	3/4" X 4.52" STUD		04
19	0561016756	3/4 UNC X 3/4 UNC X 56 PRISONER		04
20	0501010984	FLAT WASHER		07
21	0511017302	FLAT WASHER		04
22	0503010025	3/8" SPRING WASHER		08
23	0503010019	1/2" SPRING WASHER		10
24	0503010179	5/16" ZN SPRING WASHER		04
25	0503010027	5/8" SPRING WASHER		19
26	0503010023	3/4" SPRING WASHER		18
27	0503010026	3/8" NUT		04
28	0503010060	1/2" NUT		04
29	0503010013	5/8" NUT		10
30	0503010014	3/4" NUT		08
31	0503010335	3/4"NUT		14



PACKAGED PARTS

0501036439

Item	Code	Description	See page	QT
32	0503031031	1/4" KEYWAY SQUARE		02
33	0503010184	CLAMP		02
34	0503010243	CLAMP		03
35	0503010246	CLAMP		01
36	0501053834	MALE QUICK COUPLER WITH CAP - 1/2 NPT	16	02
37	0501053835	FEMALE QUICK COUPLER	11	02
38	0503030430	7/16 X 2" PIN LOCK		04
39	0503010217	501040 CLAMPING RING (FOR AXLE)		04
40	0503010027	5/8" SPRING WASHER		08
41	0503010013	5/8" NUT		04
42	0503013842	5/8" UNC X 1-3/4" BOLT		04
43	0501010100	SCREW 5/8 UNC X 2 CS G.5 ZN		04
44	0501010322	FLAT WASHER		12
45	0501012140	FLAT WASHER		12
46	0501012140	FLAT WASHER		06



MARCHESAN

Technical Publications | Elaboration and Revision

LUIZ CANDIDO

www.marchesan.com.br

