

**SEEDERS**

## SDA-A - FRAME 3980

**Code:** 0501093136  
**Series:** S-0116  
**Revision:** 00  
**Date Revision:** FEVEREIRO/2023

# PARTS CATALOGUE



**MARCHESAN**



# PRODUCTS

Code	Description
0112090061	SDA-A 3980/23E158 CPF F310 S-0116

## ATTENTION: IMPORTANT

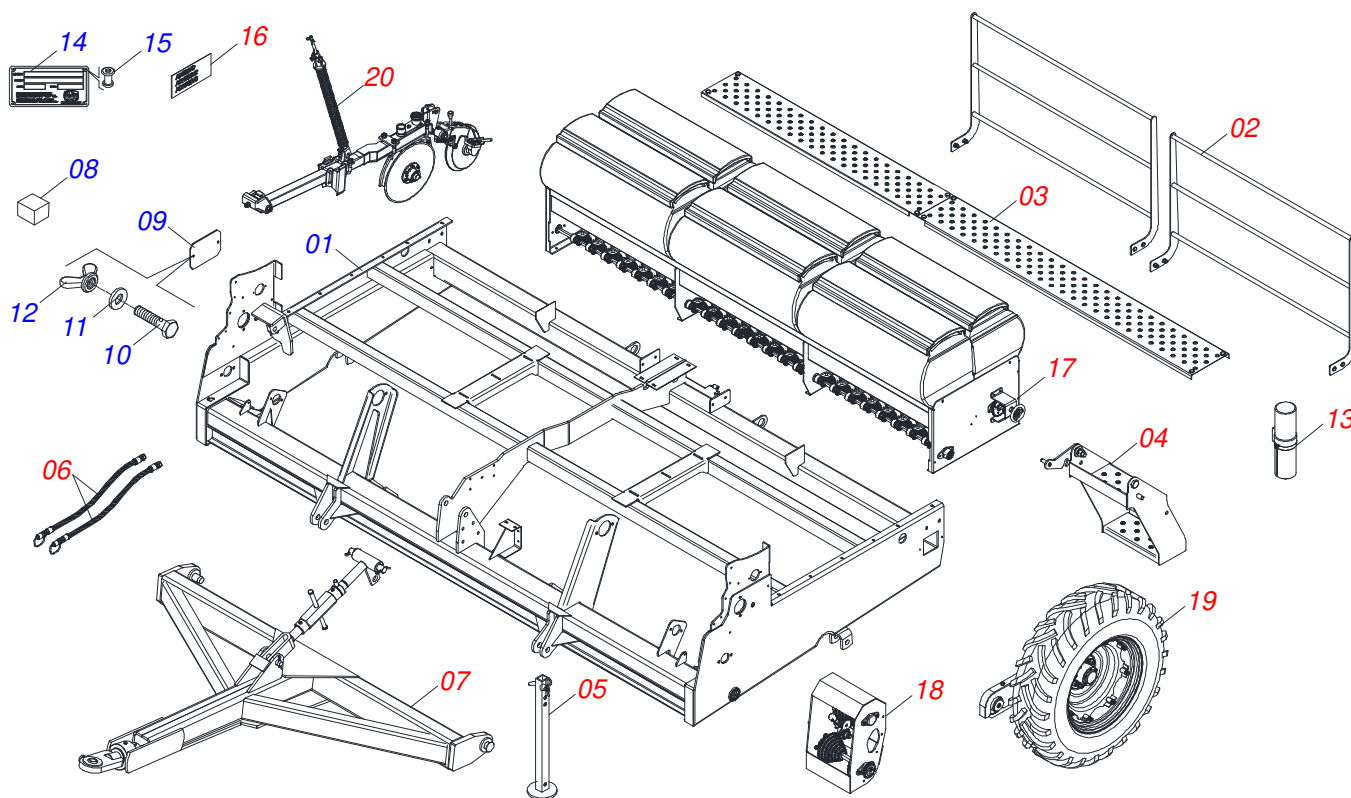
Marchesan S.A. reserves the right to improve and/or modify the technical features of its products, without obligation to do the same with those products already sold and without prior knowledge of the dealer or the customer. The photos are only illustrative.



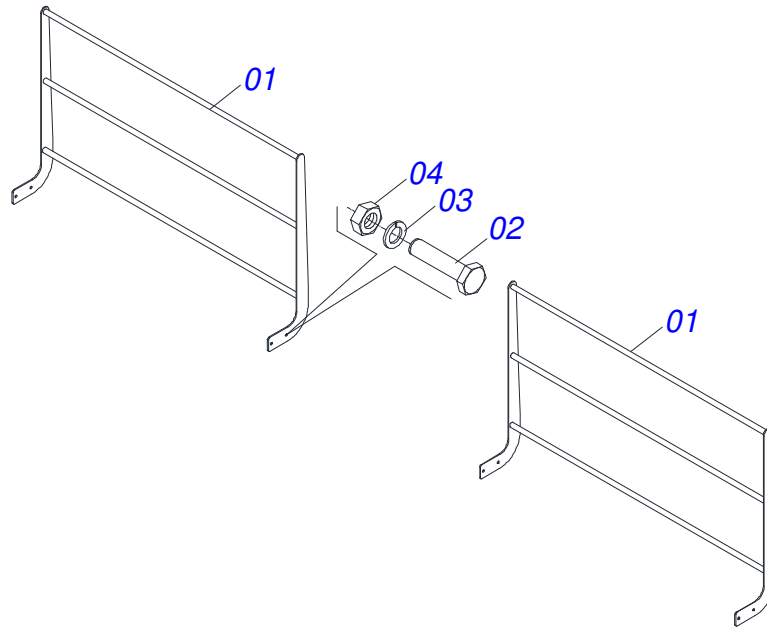
**MARCHESAN**

# INDEX

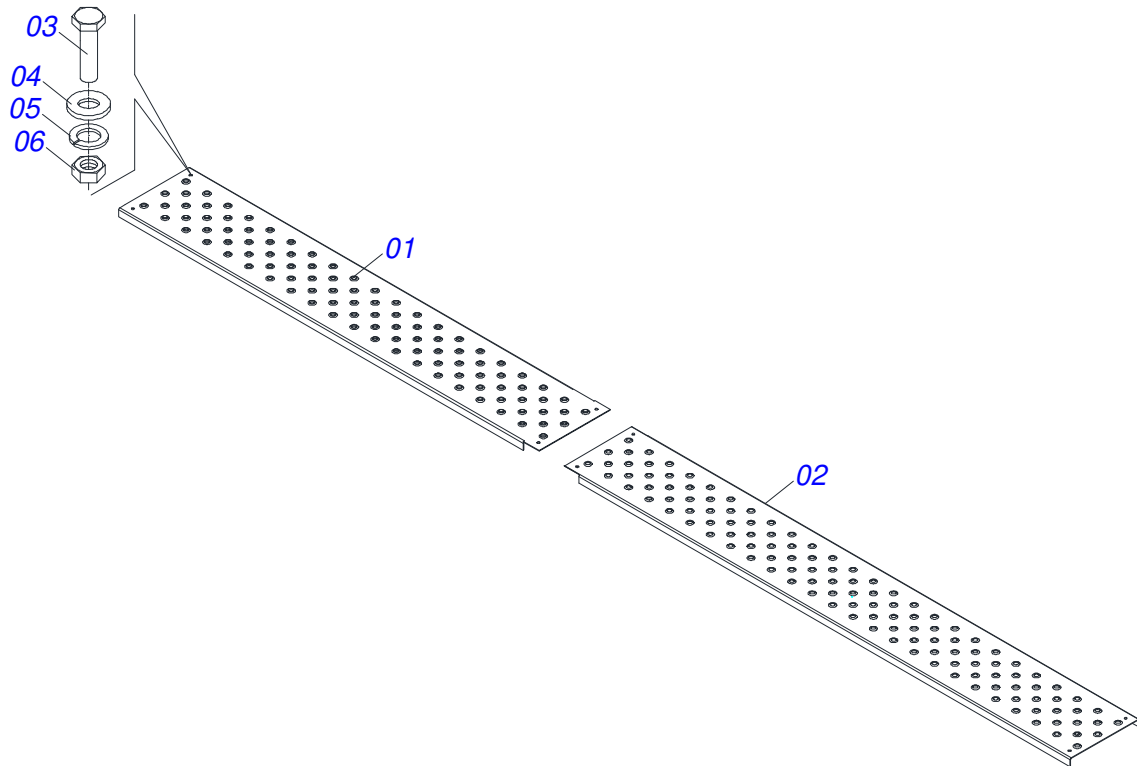
0909096013	ASSY FRAME	.....	1
0511055958	HANDRAIL ASSY	.....	2
0511055959	PLATFORM SET	.....	3
0511055960	ASSEMBLY LADDER	.....	4
0511055098	REST ASSY	.....	5
0909096002	HYDRAULIC CIRCUIT	.....	6
0501041997	VALVE ASSY	.....	7
0511047284	HYDRAULIC CYLINDER 50,8 X 101,6 X 478 X 60	.....	8
0511047285	HYDRAULIC CYLINDER 44,45 X 85,70 X 444 X 180	.....	9
0501053834	MALE QUICK COUPLER	.....	10
0511047331	DRAWBAR ASSY	.....	11
0511056027	DRAWBAR	.....	12
0501053168	ESTABILIZER DRAWBAR ASSY	.....	13
0511056028	MANUAL DOOR/CATALOGUE	.....	14
0511056029	LABEL ASSY	.....	15
0909096014	SEED/FERTIL HOUSING ASSY	.....	16
0511058488	OUTPUT SIDE FERTILIZER DISTRIBUTOR	.....	17
0503032990	SEED DISTRIBUTOR BOX ASSY	.....	18
0909096015	TRANSMISSION	.....	19
0501053654	3/4 SEED TRANSMISSION DOUBLE BEARING	.....	20
0909091534	GEAR BOX RIGHT/LEFT ASSY	.....	21
0501056271	GEARBOX CLOSED BEARING	.....	22
0501056447	CENTRAL DOUBLE GEAR HOUSING BEARING	.....	23
0501048790	AXLE WITH RING	.....	24
0909096016	WHEEL SISTEM	.....	25
0909091529	TRANSMISSION DRIVING	.....	26
0909096001	SEED LINE/FERTILIZER ASSEMBLY	.....	27
0909091535	IRON PRESS WHEEL	.....	28
0501053187	LEFT IRON PRESS WHEEL ASSY	.....	29
0501053186	RIGHT IRON PRESS WHEEL ASSY	.....	30
0501056095	SPRING ROD	.....	31



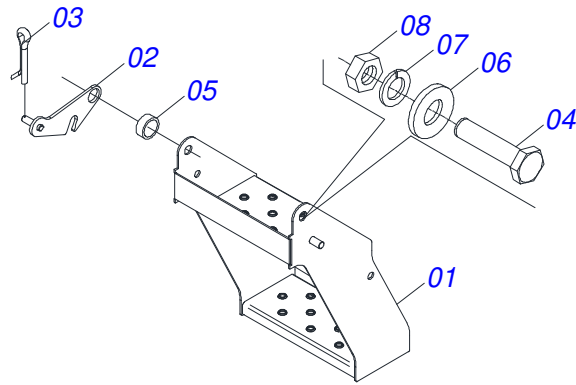
Item	Code	Description	See page	QT
01	0511069955	FRAME - 23		01
02	0511055958	HANDRAIL ASSY	2	01
03	0511055959	PLATFORM SET	3	01
04	0511055960	ASSEMBLY LADDER	4	01
05	0511055098	REST ASSY	5	01
06	0909096002	HYDRAULIC CIRCUIT	6	01
07	0511047331	DRAWBAR ASSY	11	01
08	0502020514	BLOCK 3.7" X 3.4" X 8.7"		18
09	0531010488	COUNTERBALANCE LATERAL COVER		02
10	0503011123	BOLT		02
11	0503010025	3/8 SPRING WASHER		02
12	0503010209	3/8" UNC BUTTERFLY NUT		02
13	0511056028	MANUAL DOOR/CATALOGUE	14	01
14	0503034003	SERIAL NUMBER TAG 61 X 118		01
15	0503010001	3.2 X 5.5 RIVET		04
16	0511056029	LABEL ASSY	15	01
17	0909096014	SEED/FERTIL HOUSING ASSY	16	01
18	0909096015	TRANSMISSION	19	01
19	0909096016	WHEEL SYSTEM	25	01
20	0909096001	SEED LINE/FERTILIZER ASSEMBLY	27	23



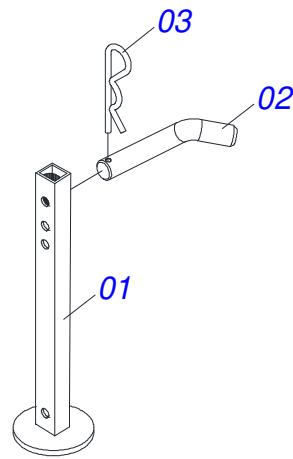
Item	Code	Description	See page	QT
01	0511069991	HANDRAIL - 23		02
02	0503010920	1/2 UNC X 1.1/2 C S G.5 ZN BOLT		08
03	0503010019	1/2" SPRING WASHER		08
04	0503010060	1/2 UNC G.5 ZN HEX NUT		08



Item	Code	Description	See page	QT
01	0511069972	1925 RIGHT REAR PLATAFORM		01
02	0511069973	2000 LEFT REAR PLATAFORM		01
03	0503010751	C3/8" X 1.1/4" HEX BOLT G.5		08
04	0501010984	10,50 X 27 X 3,00 FLAT WASHER		20
05	0503010025	3/8 SPRING WASHER		08
06	0503010026	3/8" NUT		08

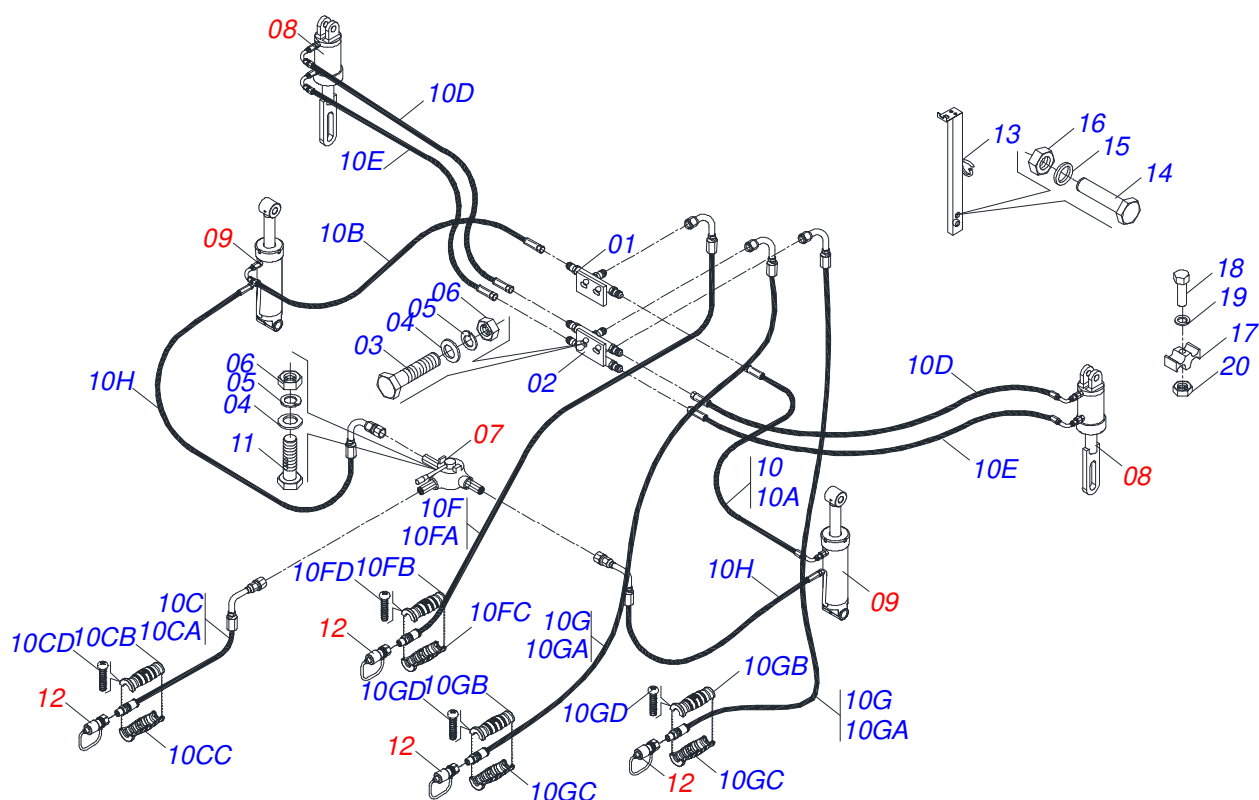


Item	Code	Description	See page	QT
01	0511069146	LADDER		01
02	0511069134	LADDER LOCK		01
03	0503010257	1/8" X 1" COTTERPIN		01
04	0503010920	1/2 UNC X 1.1/2 C S G.5 ZN BOLT		02
05	0531018627	0.5" X 1" X 0.2" SLEEVE		02
06	0511017302	FLAT WASHER 13,50 X 32,50 X 3,0 ZN		02
07	0503010019	1/2" SPRING WASHER		02
08	0503010060	1/2 UNC G.5 ZN HEX NUT		02



Item	Code	Description	See page	QT
01	0511062112	25.6" PLOUGH SUPPORT		02
02	0501011075	PIN		02
03	0503030012	HITCH PIN CLIP		02

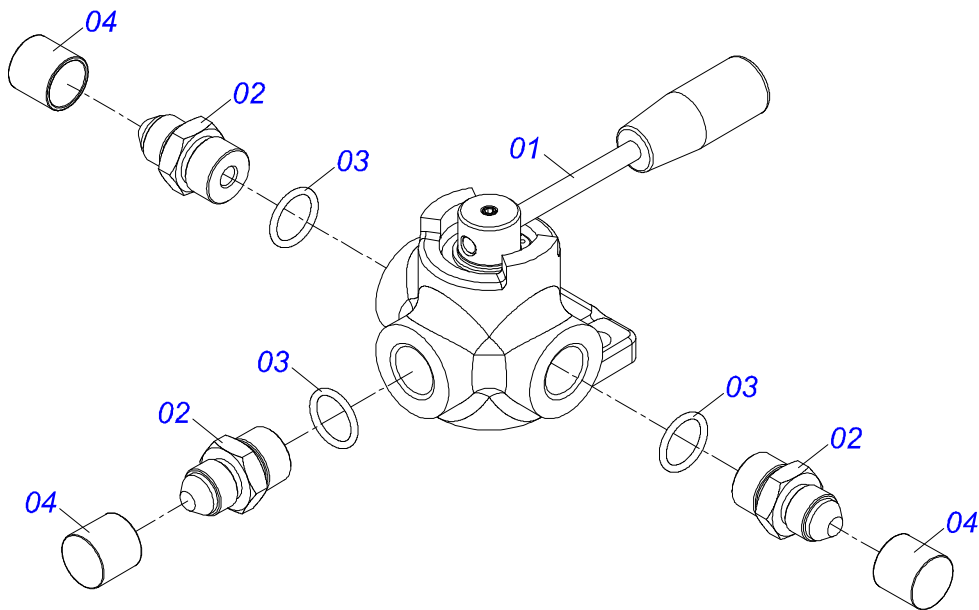




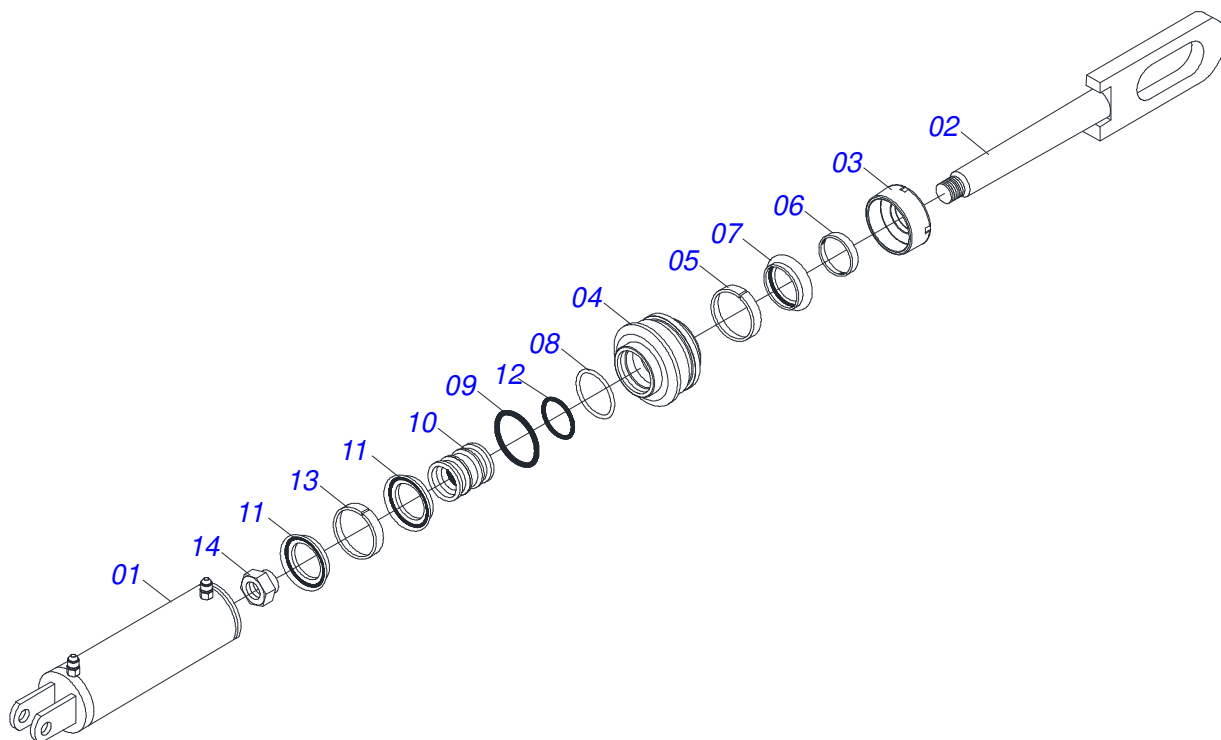
Item	Code	Description	See page	QT
01	0501068707	SIMPLE CONNECTION		01
02	0501068706	DOUBLE CONNECTION		04
03	0503010751	C3/8" X 1.1/4" HEX BOLT G.5		04
04	0501010984	10,50 X 27 X 3,00 FLAT WASHER		06
05	0503010025	3/8 SPRING WASHER		06
06	0503010026	3/8" NUT		06
07	0501041997	VALVE ASSY	7	01
08	0511047284	HYDRAULIC CYLINDER 50,8 X 101,6 X 478 X 60	8	02
09	0511047285	HYDRAULIC CYLINDER 44,45 X 85,70 X 444 X 180	9	02
10	0501058771	HOSE ASSY		01
10A	0501080599	3/8 X 650 TR-TC HOSE		01
10B	0501080402	HOSE 3/8 X 1700 TR-TC		01
10C	0521052596	HOSE 3/8 X 1400 TC-TM BLACK/ RED		01
10CA	0501080550	3/8" X 55.12" TC-TM HOSE		01
10CB	0503034492	HYDRAULIC HOSE GRIP (BLACK)		01
10CC	0503034495	HYDRAULIC HOSE GRIP (RED)		01
10CD	0503018952	PLASTIC BOLT		06
10D	0501080397	3/8" X 120" TR-TC HOSE		02
10E	0501080401	3/8" X 106" TR-TC HOSE		02
10F	0521052594	3/8 X 3500 TC-TM HOSE BLACK / RED		01
10FA	0501080365	HOSE 3/8 X 3500 TC-TM		01
10FB	0503034492	HYDRAULIC HOSE GRIP (BLACK)		01
10FC	0503034495	HYDRAULIC HOSE GRIP (RED)		01
10FD	0503018952	PLASTIC BOLT		06
10G	0521052595	3/8 X 3500 TC-TM HOSE BLACK / BLUE		02
10GA	0501080365	HOSE 3/8 X 3500 TC-TM		01
10GB	0503034492	HYDRAULIC HOSE GRIP (BLACK)		01
10GC	0503034494	HYDRAULIC HOSE GRIP (BLUE)		01
10GD	0503018952	PLASTIC BOLT		06
10H	0501080435	3/8" X 3600 TR-TC HOSE		02
11	0503010751	C3/8" X 1.1/4" HEX BOLT G.5		02



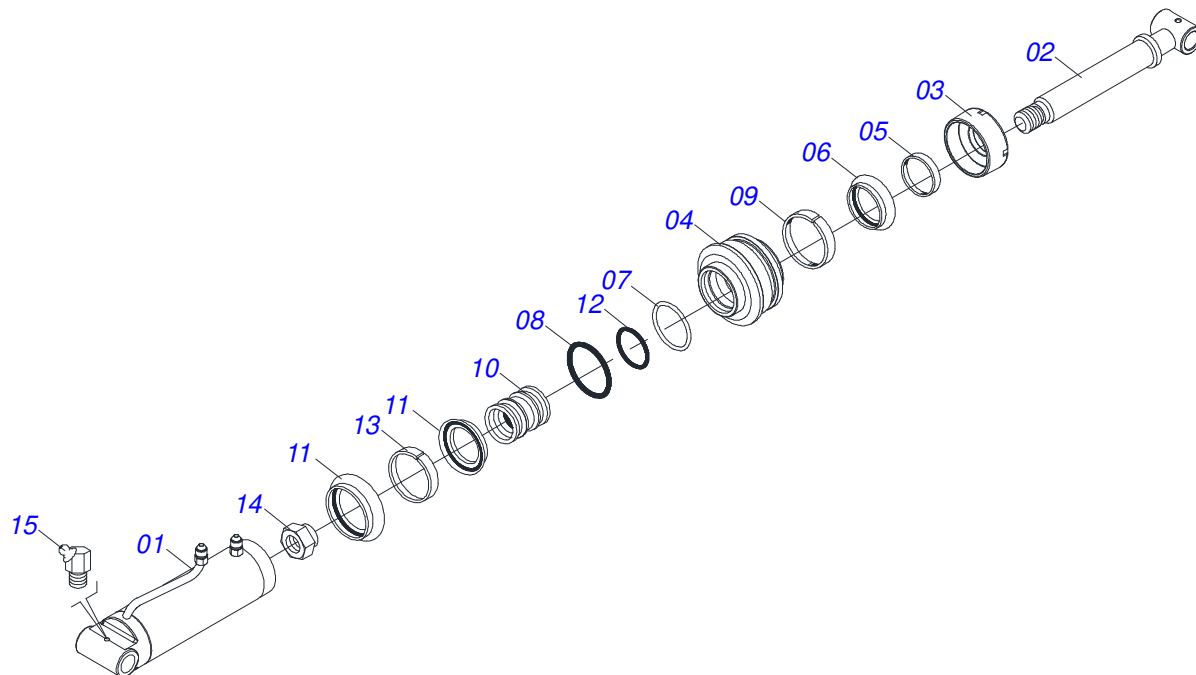
Item	Code	Description	See page	QT
12	0501053834	MALE QUICK COUPLER	10	04
13	0511062113	VALVE FIXATION SUPPORT		01
14	0503010395	1/2" X 1-1/4" BOLT		02
15	0503010019	1/2" SPRING WASHER		02
16	0503010060	1/2 UNC G.5 ZN HEX NUT		02
17	0502012702	BODY SUPPORT CLAMP		04
18	0503012555	SCREW 7/16 UNC X 2 CS RT G.7 ZN		04
19	0503010180	7/16" SPRING WASHER		04
20	0503010244	7/16" NUT		04



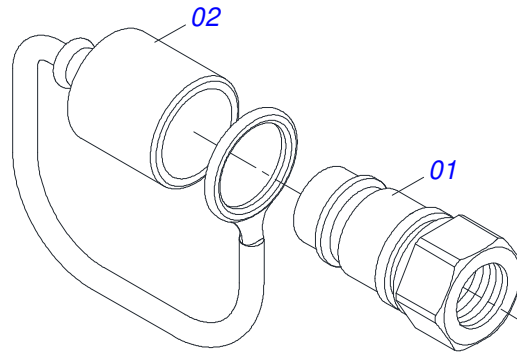
Item	Code	Description	See page	QT
01	0503060069	VALVE ASSY		01
02	0501219897	NIPPLE 3/4 BSP 14FPP X 3/4 UNF 16FPP X 45		03
03	0503010045	O'RING		03
04	0503030385	CYLINDER PLUG N-002		03



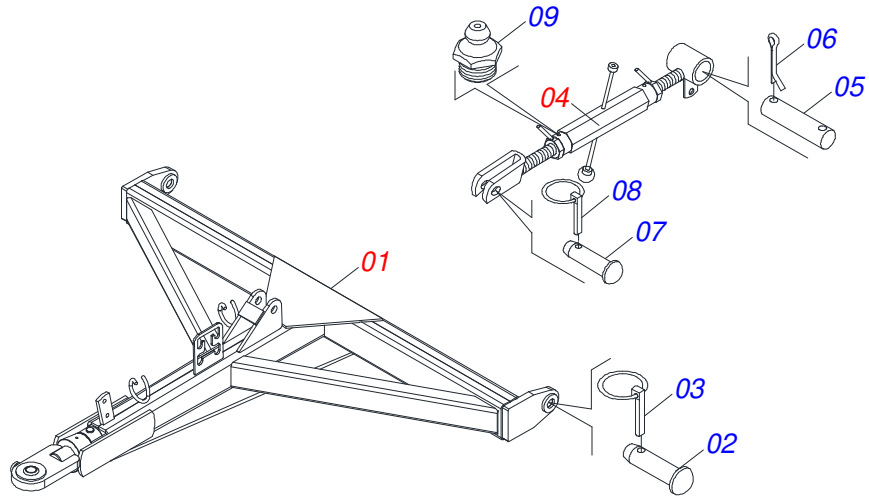
Item	Code	Description	See page	QT
01	0511069962	101,60 X 253 CYLINDER CASE		01
02	0511069987	50,8 X 288 ROD		01
03	0502010017	4" HEAD		01
04	0502010778	2" X 4.2" RING SUPPORT		01
05	0503010952	W2-2250-500 RING		01
06	0503010039	D-2000 SCRAPER RING		01
07	0503010991	1870-2000-375-B GASKET		01
08	0503011061	8-342 BACK-UP RING		01
09	0503010338	2-342 N 3006-9B O'RING		01
10	0502010992	2.0" X 4.0" PISTON		01
11	0503010043	PACKING 3750-3250		02
12	0503010345	2-218 N 3006-9B O'RING		01
13	0503010994	W2-4000-500 PK RING G.E		01
14	0503010044	1-1/4" SELF LOCKING NUT		01



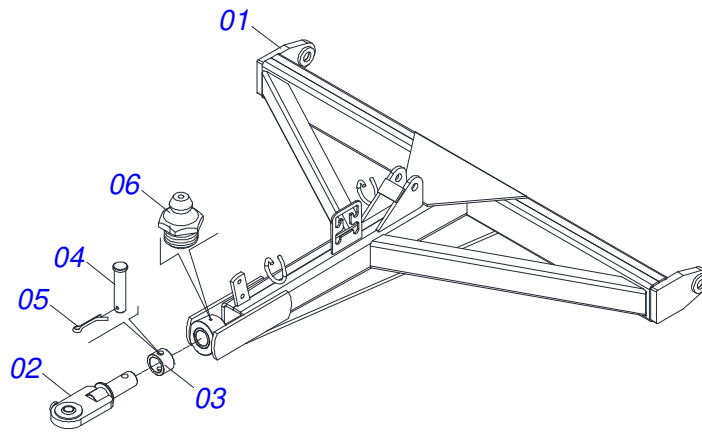
Item	Code	Description	See page	QT
01	0511064110	3.37" X 7" CYLINDER CASE		01
02	0511069969	44,45 X 395 TURNBUCLE		01
03	0502010993	DETACHABLE COVER		01
04	0502010781	RING SUPPORT		01
05	0503010761	D-1750 SCRAPER RING		01
06	0503010990	GASKET		01
07	0503011060	8-336 BACK-UP RING		01
08	0503010976	2-336 N 3006-9B O'RING		01
09	0503010949	W2-2000-500 PK RING G.E		01
10	0502010843	1.8" X 3.4" PISTON		01
11	0503010170	PACKING 3120 2750		02
12	0503010042	2-214 N 3006-9B O'RING		01
13	0503010948	W4-3346-590 PK RING G.E		01
14	0503010063	1" SELF-ALIGNING NUT		02
15	0503010003	1845 GREASE FITTING		01



Item	Code	Description	See page	QT
01	0503011627	MALE QUICK COUPLER AGR 1/2 NPT		01
02	0503011882	MALE QUICK COUPLER CAP		01

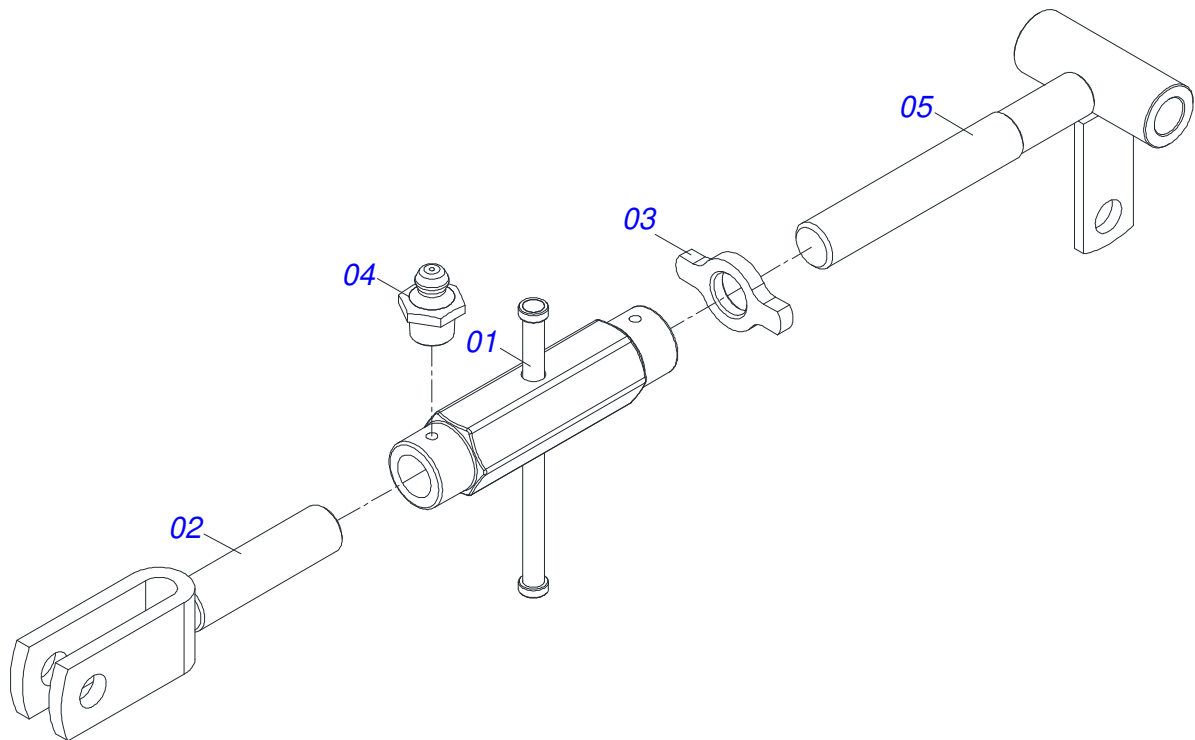


Item	Code	Description	See page	QT
01	0511056027	DRAWBAR	12	01
02	0511014394	1.25" X 4.13" COUPLING SHAFT		02
03	0503030085	LOCK PIN		02
04	0501053168	ESTABILIZER DRAWBAR ASSY	13	01
05	0531010490	AXLE 1.12" X 8"		01
06	0503010523	1/4" X 2" COTTERPIN		02
07	0521010577	0.9" X 4.1" COUPLING SHAFT		01
08	0503030085	LOCK PIN		01
09	0503010002	1800 GREASE FITTING		01

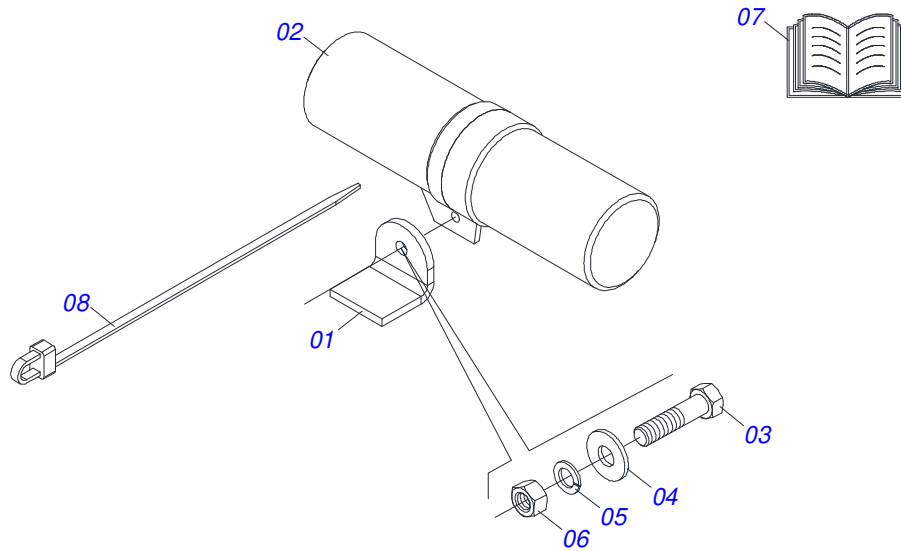


Item	Code	Description	See page	QT
01	0511069982	DRAWBAR		01
02	0511062245	TRACTOR HITCH ASSY		01
03	0561010206	TRACTOR SPACER HITCH		01
04	0561010156	COUPLING SHAFT		01
05	0503010571	1/4" X 1.1/2 COTTERPIN		01
06	0503010002	1800 GREASE FITTING		02





Item	Code	Description	See page	QT
01	0501110262	245 ADJUSTMENT NUT		01
02	0501063936	LH TURNBUCKLE		01
03	0541818672	LOCKNUT		01
04	0503010002	1800 GREASE FITTING		02
05	0511062478	RIGHT TURNBUCKLE		01



Item	Code	Description	See page	QT
01	0541016866	CLOAK MANUAL FIXER L		01
02	0503060100	INSTRUCTIONS MANUAL CANISTER		01
03	0503010371	5/16" X 1" BOLT		01
04	0501010694	FLAT WASHER		02
05	0503010179	LOCK WASHER 5/16 ZN 1K01528		01
06	0503010337	5/16" NUT		01
07	0501037453	PACKAGING WITH MANUAL / CATALOG		01
08	0503010267	NYLON CLAMP		01



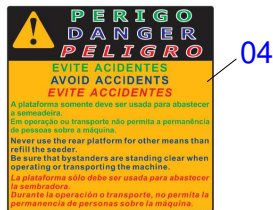
0503033918



0503033876



0503033853



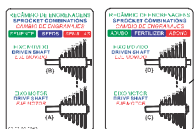
0503032061



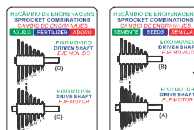
0503031942



0503031565



0503033012



0503033013



0503033030



0503032979



0503033414



0503033416



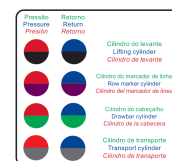
0503033417



0503033422

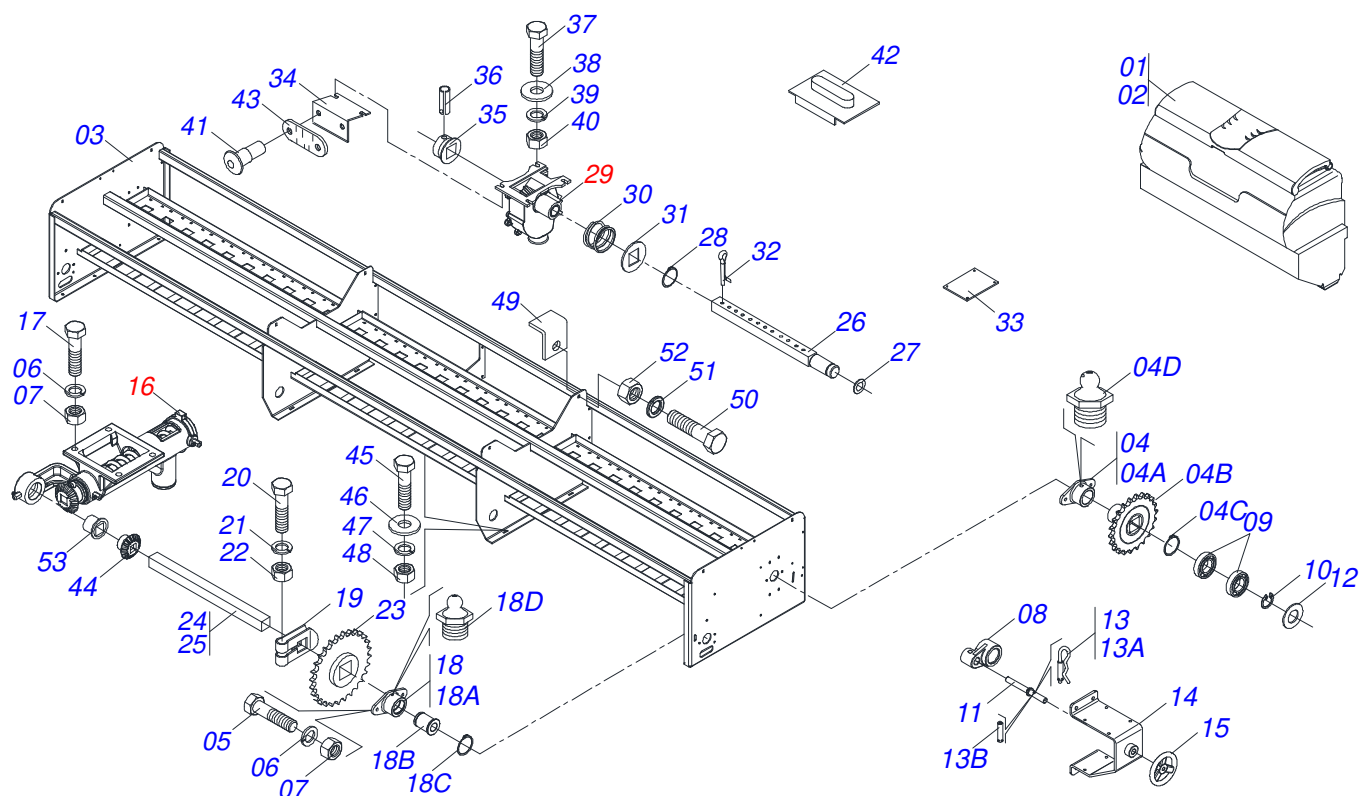


0503033423



0503034647

Item	Code	Description	See page	QT
01	0503033918	ADHESIVE LABEL	03	
02	0503033876	ADHESIVE LABEL	03	
03	0503033853	ADHESIVE LABEL	02	
04	0503032061	ADHESIVE LABEL DANGER PLATFORM	01	
05	0503031942	ADHESIVE LABEL	01	
06	0503031565	ADHESIVE LABEL CARE	01	
07	0503033012	ADHESIVE LABEL RECAMBIO GEAR SEED / FERTILIZER LEFT	01	
08	0503033013	ADHESIVE LABEL RECAMBIO GEAR SEED / FERTILIZER LEFT	01	
09	0503033030	ADHESIVE LABEL FERTILIZER TABLE P1	02	
10	0503032979	ADHESIVE LABEL LETTERS A B C D	04	
11	0503033414	ADHESIVE LABEL 0 NUMBER FOR PLANTING	02	
12	0503033416	ADHESIVE LABEL	02	
13	0503033417	ADHESIVE LABEL	04	
14	0503033422	ADHESIVE LABEL	02	
15	0503033423	LABEL ADHESIVE NUMBER 9	02	
16	0503034647	ADHESIVE LABEL COLORS	01	

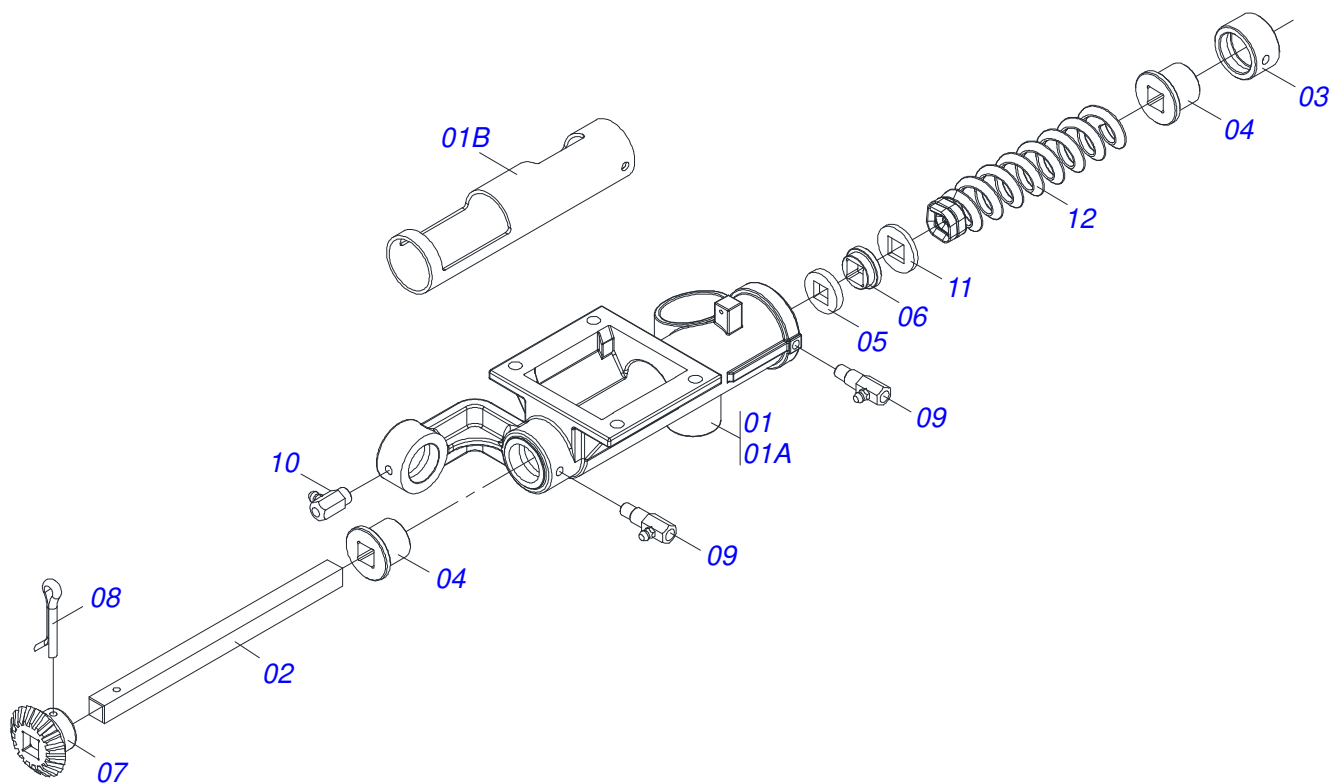


Item	Code	Description	See page	QT
00	0521050774	BEAN ASSY SUPPORT		01
01	0503060782	SEED BOX ASSY		03
02	0503060781	FERTILIZER BOX ASSY		03
03	0511069956	FERTILIZER BEAM SUPPORT		01
04	0501058503	SEED BOX BEARING ASSY		02
04A	0501110582	FERTILIZER/SEED BOX BEARING		01
04B	0521060035	34Z GEAR REEL		01
04C	0503010372	501050 CLAMPING RING (FOR AXLE)		01
04D	0503010002	1800 GREASE FITTING		01
05	0503011087	3/8" X 1" BOLT		16
06	0503010025	3/8 SPRING WASHER		132
07	0503010026	3/8" NUT		132
08	0502012325	SEED REG BEARING		02
09	0503012882	BEARING		04
10	0503011945	503050 CLAMPING RING (FOR AXLE)		02
11	0541015305	HANDLE SPINDLE		02
12	0501017157	WASHER SPACER		01
13	0501050031	SUPPORT LOCK		04
13A	0503030012	HITCH PIN CLIP		01
13B	0503010756	0.2" X 2.4" SPRING PIN		01
14	0511069974	SLEEVE HANDLE FIXER U		02
15	0551019597	SEED REGULACION HANDLE		02
16	0511058488	OUTPUT SIDE FERTILIZER DISTRIBUTOR	17	29
17	0501011643	3/8 X 1" BOLT		116
18	0501051798	AGRICULTURAL BEARING ASSY		02
18A	0501110250	BEARING BOX		01
18B	0521011127	AGRICULTURAL BEARING REEL		01
18C	0503010372	501050 CLAMPING RING (FOR AXLE)		01
18D	0503010002	1800 GREASE FITTING		01
19	0521010691	AXLE FASTENER		04
20	0503010373	SCREW 1/4 UNC X 2 CS G.2 ZN		04

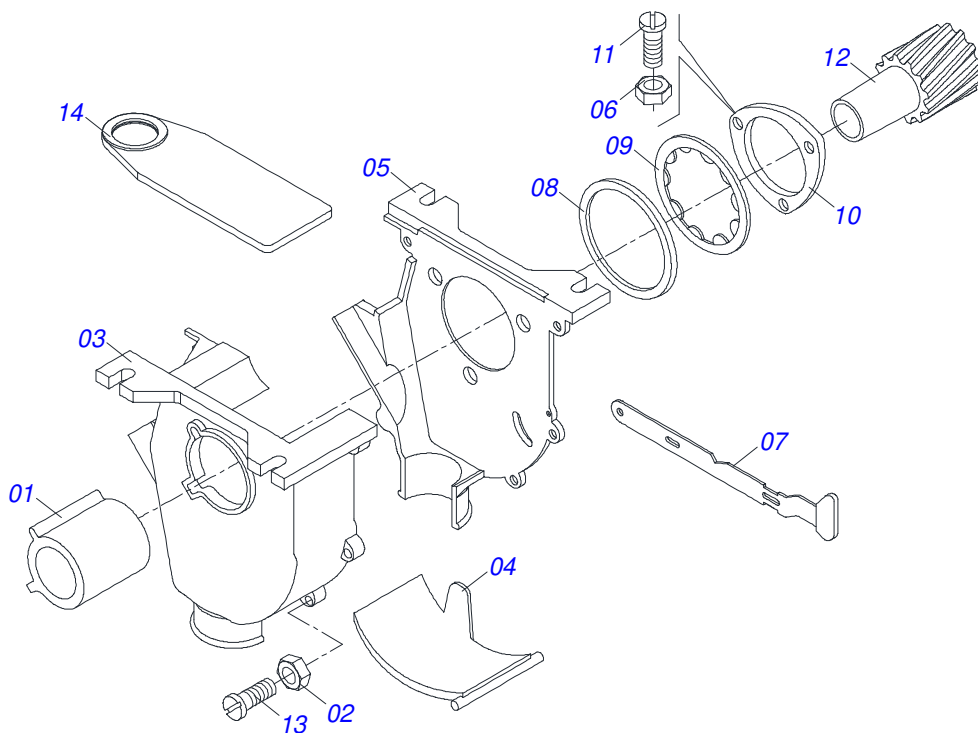


SDA-A - FRAME 3980  
SEED/FERTIL HOUSING ASSY

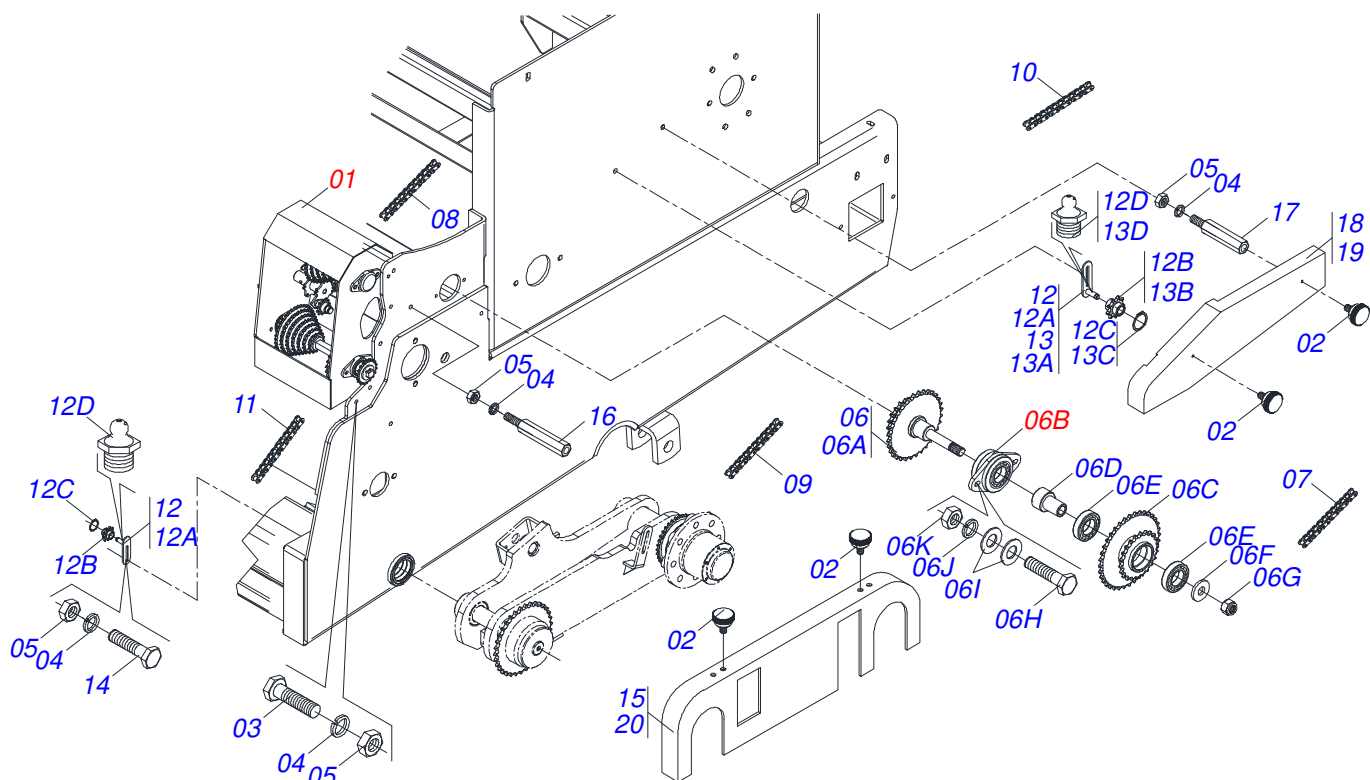
Item	Code	Description	See page	QT
21	0503010143	1/4" SPRING WASHER		04
22	0503010144	1/4" NUT		04
23	0511061759	22Z P12,70 FQ 3/4" GEAR		02
24	0561010149	SQUARE SHAFT		01
25	0561010150	SQUARE SHAFT		01
26	0561010163	SEED BEAN AXLE		02
27	0541015247	FLAT WASHER		02
28	0503012104	501015 CLAMPING RING (FOR AXLE)		02
29	0503032990	SEED DISTRIBUTOR BOX ASSY	18	29
30	0503030189	COMPRES SPRING		29
31	0541015361	FLAT WASHER		58
32	0503010257	1/8" X 1" COTTERPIN		58
33	0541015376	SEED BOX LOCK		01
34	0541015240	SEMILLA SCALE SUPPORT		02
35	0503032423	LARGE DOSER		02
36	0503010561	SPRING PIN		02
37	0503011953	5/16" X 1" BOLT		120
38	0501010694	FLAT WASHER		120
39	0503010179	LOCK WASHER 5/16 ZN 1K01528		120
40	0503010337	5/16" NUT		120
41	0503010001	3.2 X 5.5 RIVET		04
42	0503032624	FERTILIZER HOPPER GUTTER		17
43	0503030886	SCALE DOSER		04
44	0502012990	CONICA 14Z SQUARE GEAR		29
45	0503010751	C3/8" X 1.1/4" HEX BOLT G.5		14
46	0501010984	10,50 X 27 X 3,00 FLAT WASHER		18
47	0503010025	3/8 SPRING WASHER		14
48	0503010026	3/8" NUT		14
49	0541011709	SEED/ FERTILIZER BEAM LOCK		12
50	0503010240	BOLT		12
51	0503010179	LOCK WASHER 5/16 ZN 1K01528		12
52	0503010337	5/16" NUT		12
53	0503030275	AGRICULTURAL BEARING		23



Item	Code	Description	See page	QT
01	0501110831	FERTILIZER DISTRIBUTOR BODY WITH HOSE		01
01A	1902012845	DISTRIBUTOR OF FERTILIZER OUT RIGHT SIDE		01
01B	0581010951	TUBE DISTRIBUTOR FERTILIZER		01
02	0501019851	DISTRIBUTOR FERTILIZER AXLE		01
03	0521010309	SLEEVE INTER		01
04	0503030275	AGRICULTURAL BEARING		02
05	0501013774	GREASE SEAL		01
06	0503030303	SUPPORT WASHER		01
07	0591017505	GEAR		01
08	0503010523	1/4" X 2" COTTERPIN		01
09	0503011962	GREASE FITTING		02
10	0503010003	1845 GREASE FITTING		01
11	0501010637	FLAT WASHER		01
12	0503031166	LEFT CONDUTOR		01



Item	Code	Description	See page	QT
01	0503015222	BUSHING		01
02	0503014540	M6 NUT		01
03	0503015223	LARGER COVER		01
04	0503015224	DISTRIBUTOR		01
05	0503015225	SMALLER COVER		01
06	0503011397	M5 X 0.3" NUT		01
07	0503015226	REGULATOR FLOW		01
08	0503015227	GRAPHITIZED RING		01
09	0503015228	TOOTHED WASHER		01
10	0503015229	TOOTH LOCKWASHER COVER		01
11	0503015230	M5 BOLT		01
12	0503015231	ROTOR		01
13	0503015232	M 6 X 12 BOLT		01
14	0503015233	COVER		01



Item	Code	Description	See page	QT
01	0909091534	GEAR BOX RIGHT/LEFT ASSY	21	01
02	0503010386	CABLE		08
03	0503010751	C3/8" X 1.1/4" HEX BOLT G.5		10
04	0503010025	3/8 SPRING WASHER		26
05	0503010026	3/8" NUT		26
06	0501058514	BEARING		02
06A	0511069967	DOUBLE GEAR AXLE		02
06B	0501053654	3/4 SEED TRANSMISSION DOUBLE BEARING	20	02
06C	0511069977	DOUBLE GEAR BEARING		02
06D	0561010204	DOUBLE GEAR SLEEVE		02
06E	0503011410	ROLLER BEARING		04
06F	0501012140	FLAT WASHER		02
06G	0503010878	5/8" SELF ALIGNING NUT		02
06H	0503010365	BOLT 5/16 UNC X 1.1/4 C S G.5 ZN		04
06I	0501010694	FLAT WASHER		08
06J	0503010179	LOCK WASHER 5/16 ZN 1K01528		04
06K	0503010337	5/16" NUT		04
07	0503015001	40-1 X 153 CHAIN LINK + MENDING		02
08	0503015002	40-1 CHAIN X 66 LINK + REDUCTION		02
09	0503012712	40-1 CHAIN X 81 LINK + MENDING		02
10	0503012772	40-1 CHAIN X 80 LINK + REDECTION		02
11	0503015003	50-1 CHAIN X 72 LINK + REDUCTION		02
12	0501058506	CHAIN TIGHTENER		04
12A	0511069978	CHAIN TENSIONER		12
12B	0503031806	9Z X P 5/8" GEAR		04
12C	0503010302	501019 SEAL RING		12
12D	0503010002	1800 GREASE FITTING		12
13	0501058507	CHAIN TENSIONER		06
13A	0511069978	CHAIN TENSIONER		01
13B	0503031805	11Z 1/2" GEAR		01
13C	0503010302	501019 SEAL RING		01

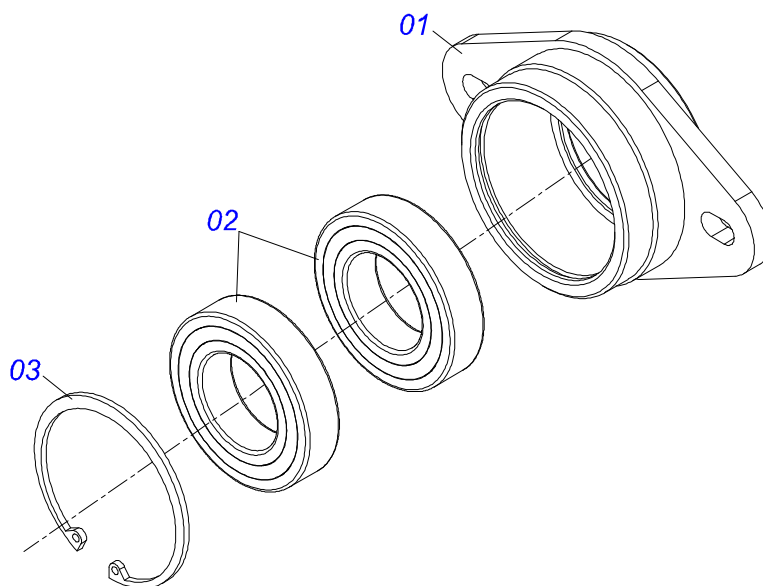




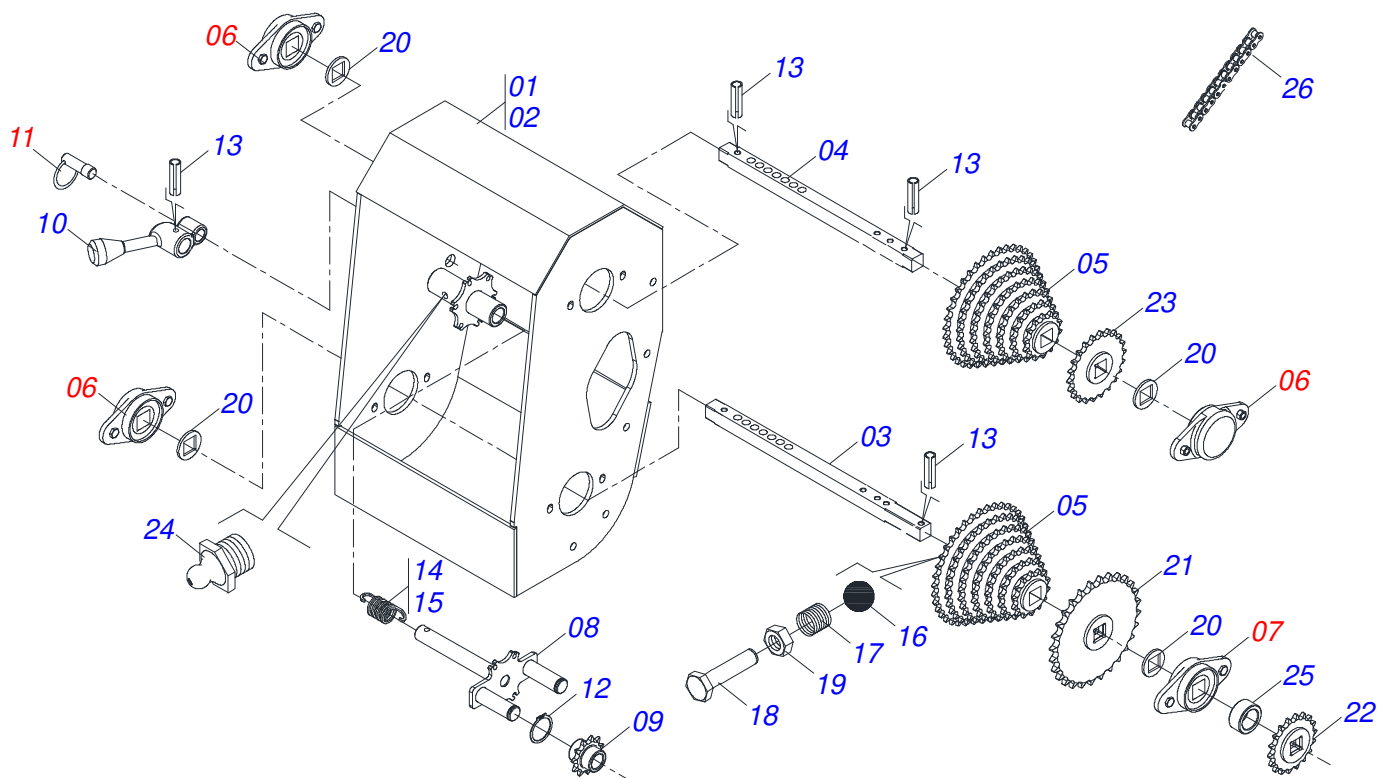
## TRANSMISSION

0909096015

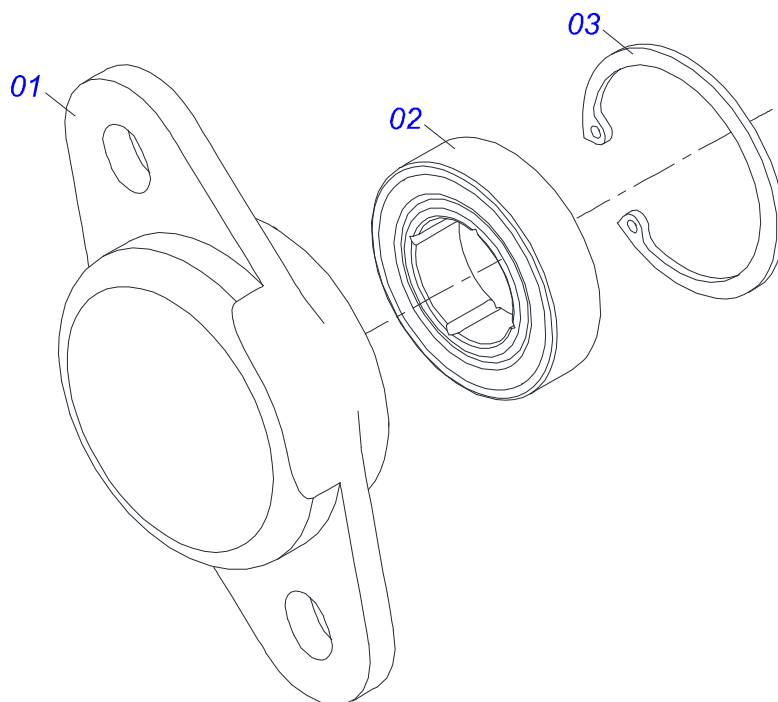
Item	Code	Description	See page	QT
13D	0503010002	1800 GREASE FITTING		01
14	0503010237	3/8" X 1" BOLT		12
15	0561010230	LH ROCKER ARM CHAIN COVER		01
16	0561010210	115 CHAIN COVER FIXER		02
17	0541015708	120 CHAIN LOCK FIXER		02
18	0561010220	RH CHAIN COVER		01
19	0561010221	LH CHAIN COVER		01
20	0561010231	RH ROCKER ARM CHAIN COVER		01



Item	Code	Description	See page	QT
01	0502012031	HOUSING BEARING		01
02	0503012861	6006 2RS BALL BEARING		02
03	0503012858	502075 CLAMPING RING (FOR HOLE)		01

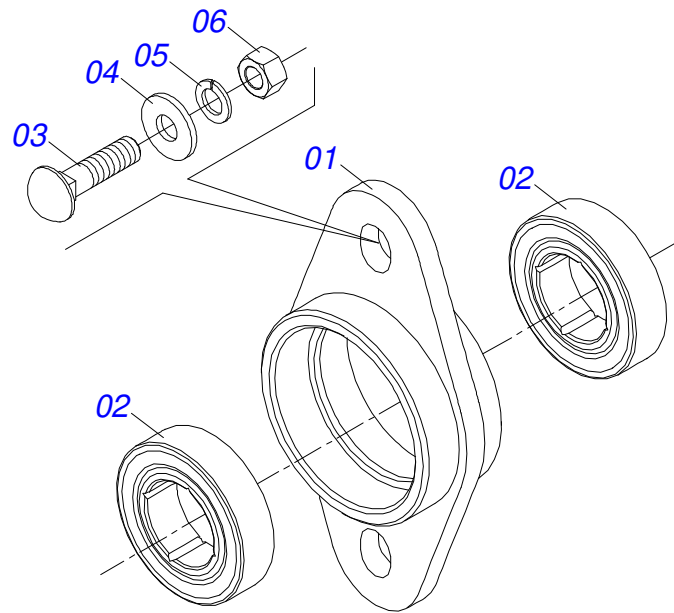


Item	Code	Description	See page	QT
00	0501058504	RIGHT GEAR BOX ASSY		01
00.	0501058505	LH GEAR BOX ASSY		01
01	0511069975	GEAR BOX RIGHT SUPPORT		01
02	0511069976	GEAR BOX LEFT SUPPORT		01
03	0561010159	FERTILIZER MOTOR AXLE		01
04	0561010160	FERTILIZER DRIVER AXLE		01
05	0511060396	DRIVE/DRIVEN SHAFT		02
06	0501056271	GEARBOX CLOSED BEARING	22	03
07	0501056447	CENTRAL DOUBLE GEAR HOUSING BEARING	23	01
08	0511060392	CHAIN TENSIONER		01
09	0503031805	11Z 1/2" GEAR		02
10	0502011758	REAR TIGHTENER LEVER		01
11	0501048790	AXLE WITH RING	24	01
12	0503010302	501019 SEAL RING		02
13	0503010292	701164 6 X 40 SPRING PIN		09
14	0503031366	RIGHT TWISTED SPRING		01
15	0503031367	SPRING		01
16	0503012389	1/2 BALL		02
17	0503031512	0.4" X 0.1" X 2" X 0.6" SPRING		02
18	0503010395	1/2" X 1-1/4" BOLT		02
19	0503010060	1/2 UNC G.5 ZN HEX NUT		02
20	0521018630	1.4" X SQUARE 0.8" WASHER		04
21	0511066252	28Z GEAR		01
22	0511061757	18Z GEAR		01
23	0511061759	22Z P12,70 FQ 3/4" GEAR		01
24	0503010002	1800 GREASE FITTING		01
25	0561010360	SLEEVE		01
26	0503012204	40-1 CHAIN X 82 LINK + RED		01

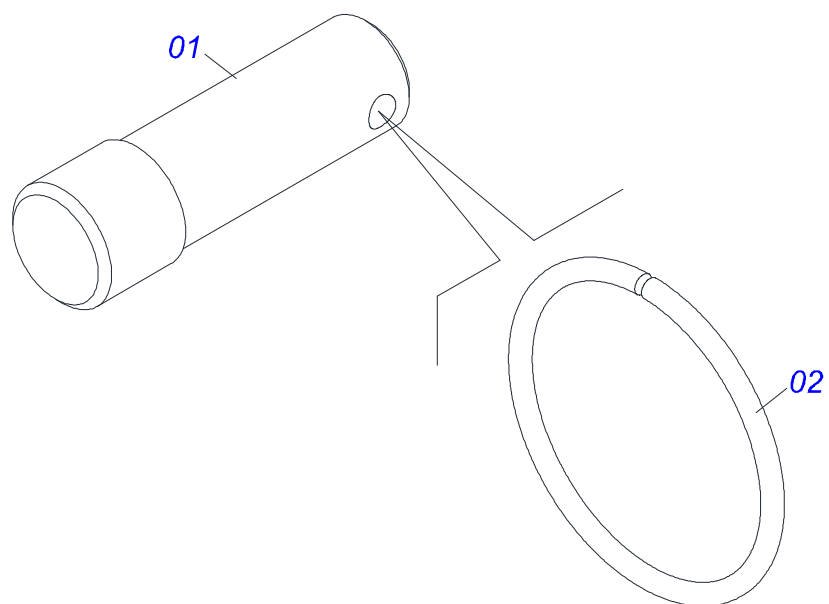


Item	Code	Description	See page	QT
01	0502012310	GEAR BOX CLOSE BEARING		01
02	0503013462	BEARING WITH BALL BEARING		01
03	0503011105	SEAL RING		01

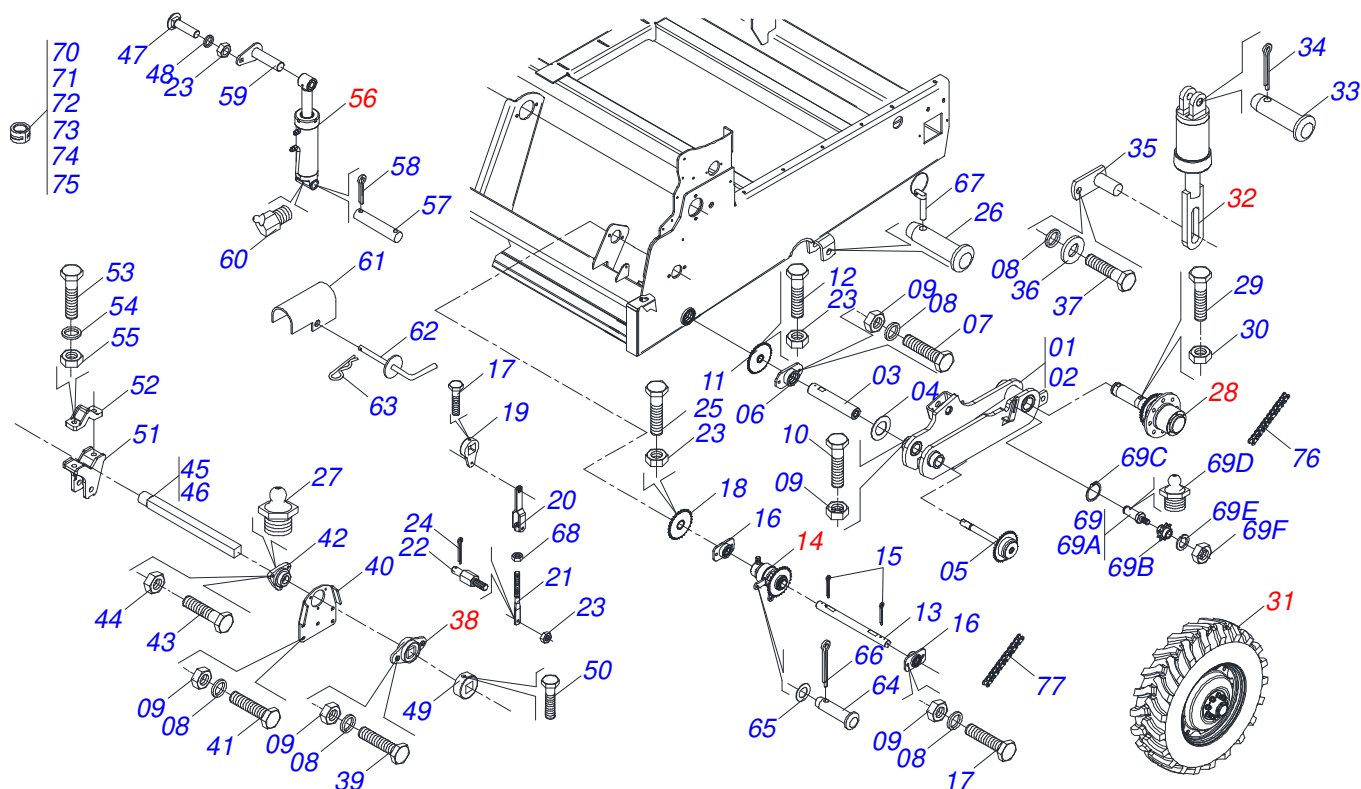
CENTRAL DOUBLE GEAR HOUSING BEARING



Item	Code	Description	See page	QT
01	0502011978	HOUSING CENTRAL BEARING		01
02	0503013462	BEARING WITH BALL BEARING		02
03	0503011953	5/16" X 1" BOLT		02
04	0501010694	FLAT WASHER		02
05	0503010179	LOCK WASHER 5/16 ZN 1K01528		02
06	0503010337	5/16" NUT		02



Item	Code	Description	See page	QT
01	0521012476	GEAR BOX LEVER AXLE		01
02	0503031369	LINK		01

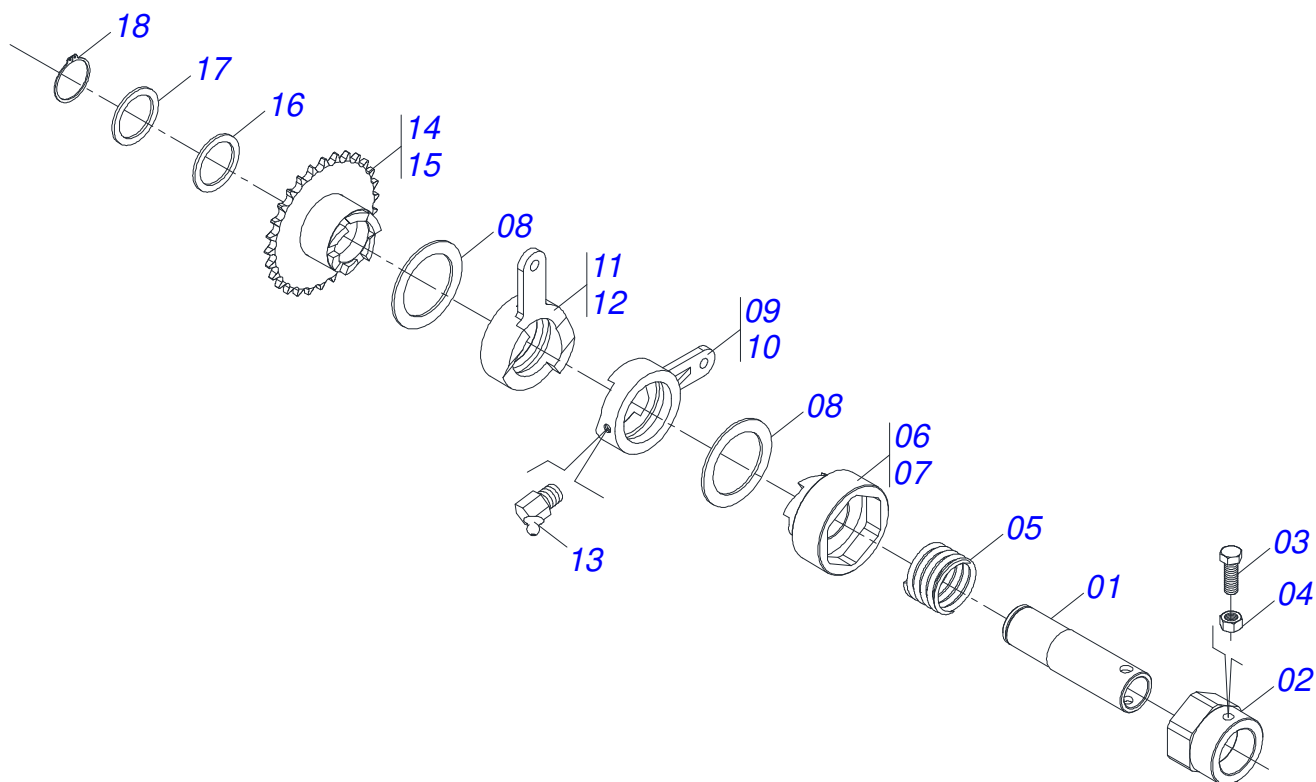


Item	Code	Description	See page	QT
01	0511069960	RIGHT ROCKER ARM		01
02	0511069961	LEFT ROCKER ARM		02
03	0501110579	WHEEL FIXER AXLE		02
04	0561010445	FLAT WASHER		02
05	0511069965	MOTOR SHAFT		02
06	0501110580	WHEEL BEARING		02
07	0503010238	BOLT 1/2 UNC X 1.3/4 CS G.2 ZN		04
08	0503010019	1/2" SPRING WASHER		29
09	0503010060	1/2 UNC G.5 ZN HEX NUT		29
10	0503010239	BOLT 1/2 UNC X 1.1/2 C S G.2 ZN		02
11	0511069988	WHEEL TOOTH 34 Z		02
12	0503010256	3/8" X 3/4" BOLT		02
13	0561010152	AXLE RATCHET		02
14	0909091529	TRANSMISSION DRIVING	26	01
15	0503010131	3/16" X 1-1/2" COTTERPIN		04
16	0501110581	RATCHET BEARING		04
17	0503014007	1/2" X 1-1/4" BOLT		10
18	0511069989	RATCHET WHEEL TOOTH		02
19	0502011922	RATCHET DRIVING		02
20	0501067130	ADJUSTMENT BAR ASSY		02
21	0541015404	3/4" UNC 200 REGULACION		02
22	0561010192	PIN LOCK RATCHET		02
23	0503010026	3/8" NUT		04
24	0503010140	1/8" X 3/4" COTTERPIN		02
25	0503011087	3/8" X 1" BOLT		02
26	0521010578	COUPLING SHAFT		02
27	0503010002	1800 GREASE FITTING		13
28	0501058488	WHEEL WITHOUT TIRE		02
29	0503010232	5/8" X 1.3/4" BOLT		02
30	0503010013	5/8 NUT		02
31	0501045095	WHEEL AND TIRE ASSY		02

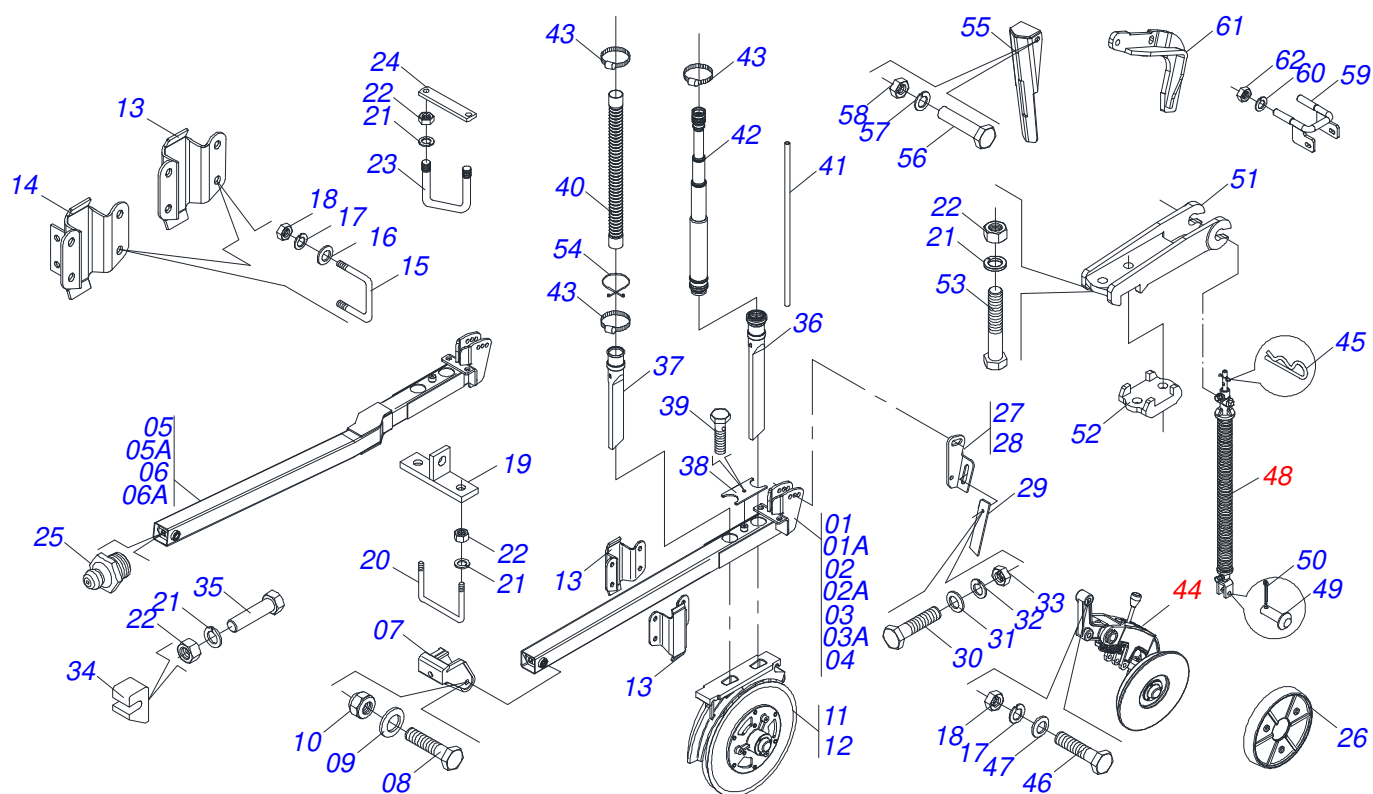
**WHEEL SISTEM**

Item	Code	Description	See page	QT
32	0511047284	HYDRAULIC CYLINDER 50,8 X 101,6 X 478 X 60	8	02
33	0561010287	COUPLING SHAFT		02
34	0503010571	1/4" X 1.1/2 COTTERPIN		04
35	0511062387	CYLINDER ROCKER ARM LOCK PIN		02
36	0511017302	FLAT WASHER 13,50 X 32,50 X 3,0 ZN		02
37	0503010834	1/2 X 1 BOLT		02
38	0501052968	AGRICULTURAL BEARING ASSY		04
39	0503010920	1/2 UNC X 1.1/2 C S G.5 ZN BOLT		08
40	0561011232	CENTRAL SUPPORT BEARING		01
41	0503011082	C1/2" X 1.3/4" SCREW		05
42	0521019239	AXLE AGRICULTURAL BEARING		01
43	0503012623	3/8" X 1-1/2" BOLT		03
44	0503012622	3/8" UNF HEX NUT		03
45	0561010157	RIGHT LIFT ROW AXLE		01
46	0561010158	LH LIFT ROW AXLE		01
47	0501011787	3/8" X 1-1/2" BOLT		02
48	0503010025	3/8 SPRING WASHER		02
49	0502011925	AXLE FIXER LOCK		02
50	0503010395	1/2" X 1-1/4" BOLT		02
51	0502012524	CYLINDER ARTICULATED SUPPORT		02
52	0502012525	PIVOT SUPPORT FIXER		02
53	0503014950	7/8" UNC X 3" BOLT		04
54	0503010408	7/8" SPRING WASHER		04
55	0503010417	7/8" NUT		04
56	0511047998	HYDRAULIC CYLINDER 44.5 X 85.7 X 525 X 195		02
57	0531019171	1.25" X 7" COUPLING SHAFT		02
58	0503010523	1/4" X 2" COTTERPIN		02
59	0521061492	CYLINDER CYLINDER SHAFT		02
60	0503010003	1845 GREASE FITTING		02
61	0561016819	TRANSPORT LOCK		02
62	0501068994	8,30 X 78 LOCK PIN		02
63	0503030168	HITCH PIN CLIP		02
64	0521010773	0.37" X 1.18" COUPLING SHAFT		02
65	0501010984	10,50 X 27 X 3,00 FLAT WASHER		02
66	0503010257	1/8" X 1" COTTERPIN		02
67	0503030085	LOCK PIN		02
68	0503010014	3/4" HEX NUT		02
69	0501058516	RATCHET CHAIN TENSIONER		02
69A	0531019479	AXLE CHAIN GEAR		01
69B	0503031806	9Z X P 5/8" GEAR		01
69C	0503010302	501019 SEAL RING		01
69D	0503010002	1800 GREASE FITTING		01
69E	0503010019	1/2" SPRING WASHER		01
69F	0503010060	1/2 UNC G.5 ZN HEX NUT		01
70	0501047884	0.98" ROD STOP		02
71	0501047885	30 ROD STOP		02
72	0501047886	35 ROD STOP		02
73	0501047887	40 ROD STOP		02
74	0501047888	45 ROD STOP		02
75	0501047889	1.96" ROD STOP		02
76	0503011648	50-1 X 69 CHAIN LINK + MENDING		02
77	0503015004	50-1 X 125 CHAIN LINK + MENDING		02





Item	Code	Description	See page	QT
00	0501058451	TRANSMISSION RIGHT DRIVING		01
00.	0501058452	TRANSMISSION LEFT DRIVING		01
01	0521017590	GUIDE AXLE		01
02	0502011996	SLEEVE FIXER		01
03	0503030678	BOLT 1/2 UNC X 1.1/2 CSPC G.5 ZN		01
04	0503010060	1/2 UNC G.5 ZN HEX NUT		01
05	0503030553	2.3"X 2.5"X 0.2"COMPRESSION SPRING		01
06	0502012009	DRIVING AXLE RIGHT FOLLOWER		01
07	0502011995	LH DRIVING AXLE FOLLOWER		01
08	0501019734	FLAT WASHER		02
09	0502010710	RIGHT CAM, SMALLER		01
10	0502010720	RIGHT CAM, SMALLER		01
11	0502010711	RIGHT CAM,LARGER		01
12	0502010721	LEFT CAM,LARGER		01
13	0503010003	1845 GREASE FITTING		02
14	0511069979	28Z GEAR		01
15	0511069980	28Z GEAR		01
16	0501019735	FLAT WASHER		01
17	0521017593	FLAT WASHER		01
18	0503010542	501045 CLAMPING RING (FOR AXLE)		01



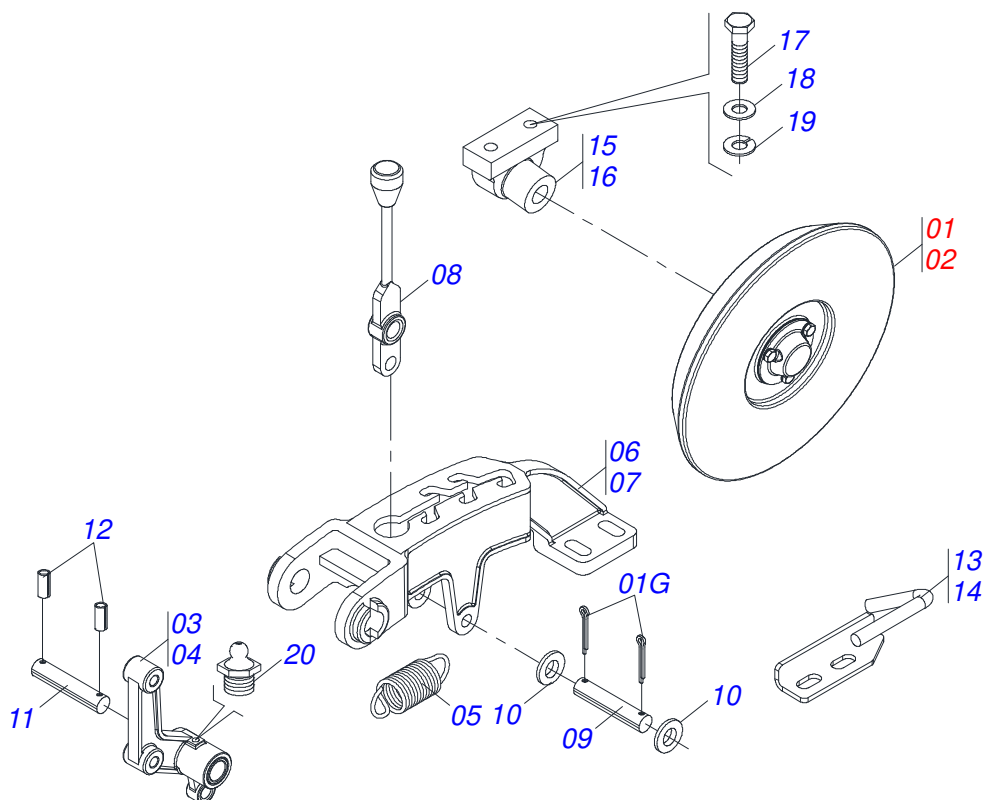
Item	Code	Description	See page	QT
00	0511047324	RIGHT SHORT ROW ASSY		01
00.	0511047325	LH LONG ROW ASSY		01
00..	0511047326	RH LONG ROW ASSY		01
00...	0511047327	LH LONG ROW ASSY		01
00....	0511047328	LH SIDE LINEA LONG ASSY		01
00.....	0511047329	RH SIDE LINEA ASSY		01
01	0501058494	RH DDE ROW SMALLER SUPPORT		01
01A	0501067510	LEVER TRIPE SUPPORT DISC		01
02	0501058495	LH DDE SMALLER SUPPORT		01
03	0501058496	RH ROW DDE LARGER SUPPORT		01
03A	0511062118	LARGER TRIPE DISC SUPPORT		01
04	0501058497	RH LARGER DDE ROW SUPPORT		01
05	0501058498	LH ROW LARGER SIDE SUPPORT		01
05A	0511069971	LH TRIPE DISC SUPPORT LATERAL		01
06	0501058499	RH SIDE ROW LARGER SUPPORT		01
06A	0511069970	RIGHT SIDE TRIPE DISC SUPPORT		01
07	0502010978	SUPPORT FIXER		01
08	0501017315	5/8" X 124 BOLT		01
09	0501012140	FLAT WASHER		01
10	0503010811	5/8" UNF SELF ADJUSTING NUT		01
11	0501058500	RIGHT DDE 15.1/2" X 15"		01
12	0501058501	LH DDE 15.1/2" X 15"		01
13	0541014450	158 SPACER ROW		01
14	0511069968	SMALLER SIDE SPACER		01
15	0541014458	R 1/2" UNC X 3" X 3.5" FASTENER		01
16	0501010937	13,50 X 28 X 3,00 FLAT WASHER		01
17	0503011440	SPRING WASHER		01
18	0503010060	1/2 UNC G.5 ZN HEX NUT		01
19	0502040190	SPRING FIXER SUPPORT		01
20	0521810666	FASTENER		01
21	0503010027	5/8 SPRING WASHER		01



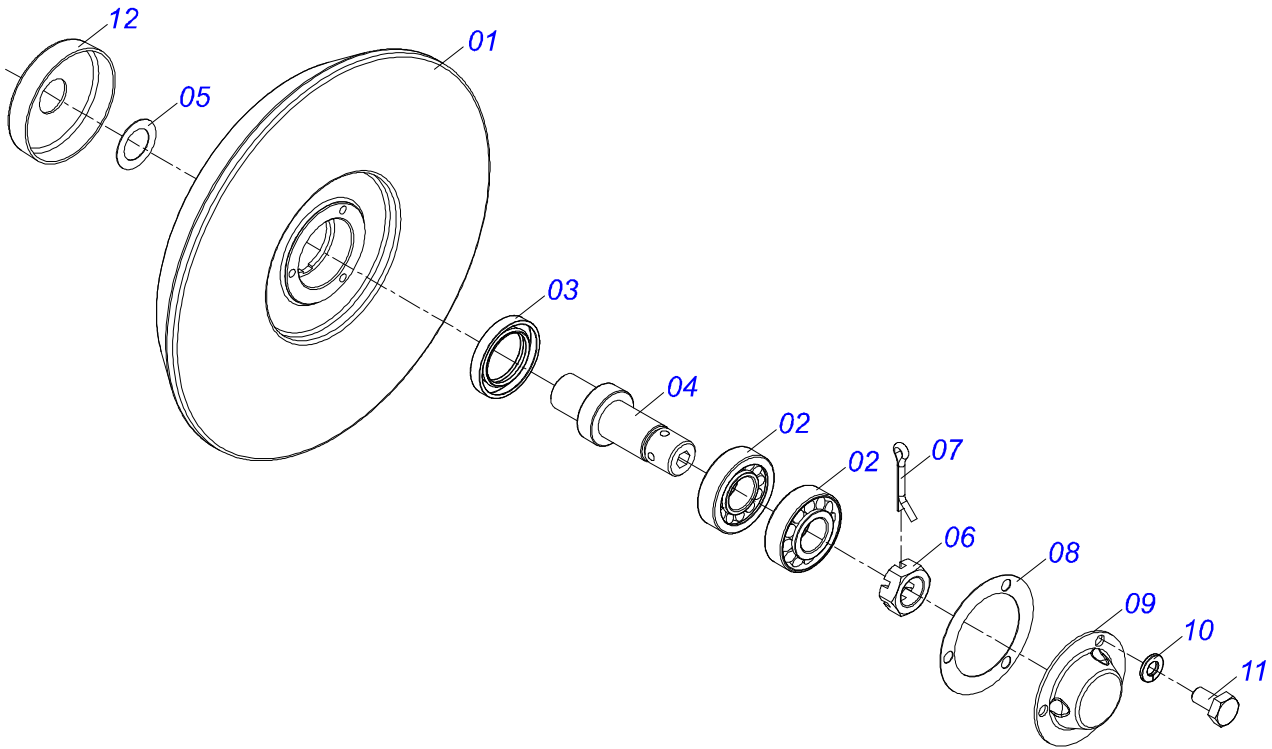
## SEED LINE/FERTILIZER ASSEMBLY

0909096001

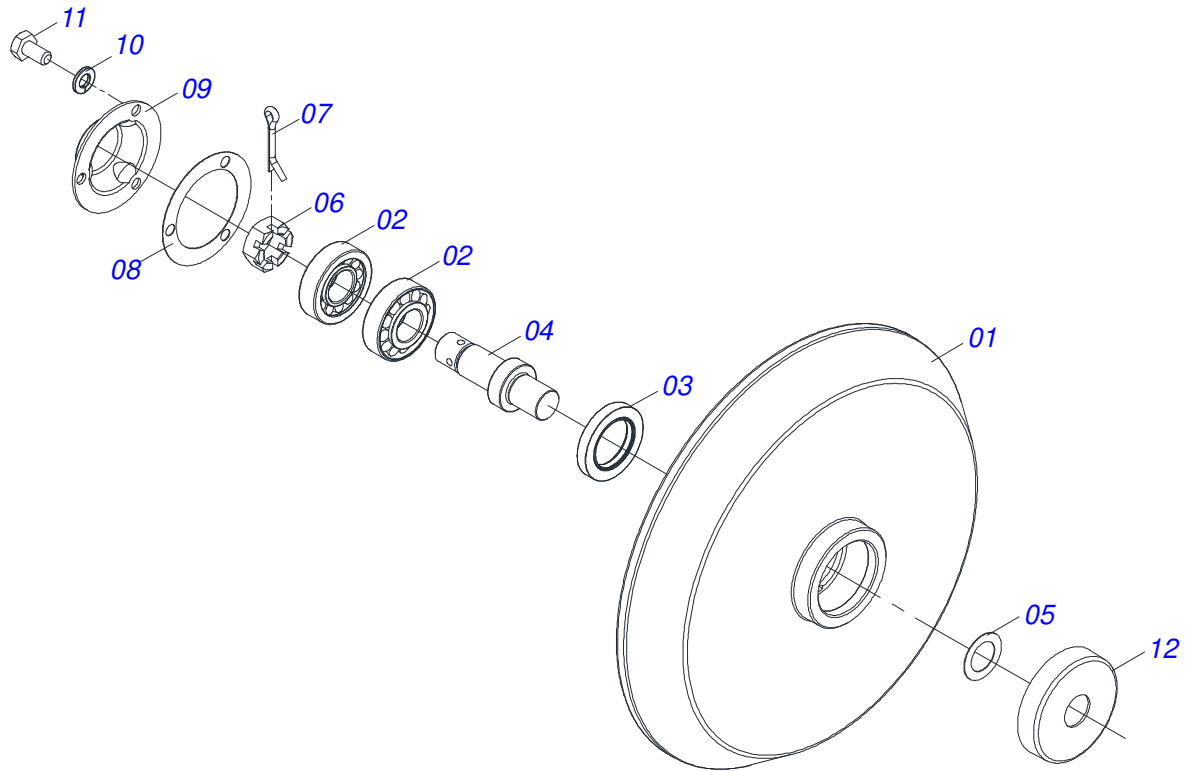
Item	Code	Description	See page	QT
22	0503010013	5/8 NUT		01
23	0521010684	5/8" UNC X 101 X 80 HOLDER		01
24	0511013899	FIXER PLATE		01
25	0503010691	1/4" GREASE FITTING		01
26	0502020662	ROD STOP		01
27	0561010228	RH ROD STOP SCRAPER SUPPORT		01
28	0561010229	LH ROD STOP SCRAPER SUPPORT		01
29	0561010227	ROD STOP SCRAPER DOUBLE DISC		01
30	0503010751	C3/8" X 1.1/4" HEX BOLT G.5		01
31	0501010984	10,50 X 27 X 3,00 FLAT WASHER		01
32	0503010025	3/8 SPRING WASHER		01
33	0503010026	3/8" NUT		01
34	0502040376	ROW FASTENER		01
35	0501010452	5/8" X 5" BOLT		01
36	0503033025	SOCKET SEED		01
37	0503030483	FERTILIZER SOCKET		01
38	0561010185	SOCKET LOCK		01
39	0503010256	3/8" X 3/4" BOLT		01
40	0503031145	2" X 2" X 20" HOSE		01
41	0503014967	LATEX TUBE		01
42	0503061799	TELESCOPIC		01
43	0503010246	CLAMP		01
44	0909091535	IRON PRESS WHEEL	28	01
45	0503030168	HITCH PIN CLIP		01
46	0503010547	1/2" X 4" BOLT		01
47	0511017302	FLAT WASHER 13,50 X 32,50 X 3,0 ZN		01
48	0501056095	SPRING ROD	31	01
49	0521010542	COUPLING SHAFT		01
50	0503010300	5/32" X 1" COTTERPIN		01
51	0502012523	SPRING GUIDE FIXER		01
52	0502012522	SPRING GUIDE FIXER LOCK		01
53	0501011543	5/8" X 4" BOLT		01
54	0503031076	2" HOSE CLAMP		01
55	0521060623	FRONT PROTECTOR		01
56	0503810481	3/8" X 4" BOLT		01
57	0503011443	3/8" SPRING WASHER		01
58	0503810026	3/8" NUT		01
59	0521060624	FASTENER		01
60	0503011445	SPRING WASHER		01
61	0521061757	RIGHT COMPACTOR WHEEL BAT		01
62	0503012412	5/8 UNC SELF LOCKING NUT		01



Item	Code	Description	See page	QT
00	0511047323	LEFT IRON PRESS WHEEL ASSY		01
00.	0511047322	IRON PRESS WHEEL		01
01	0501053187	LEFT IRON PRESS WHEEL ASSY	29	01
02	0501053186	RIGHT IRON PRESS WHEEL ASSY	30	01
03	0501110586	PRESS WHEELS ARM SUPPORT		01
04	0501110587	PRESS WHEELS ARM SUPPORT		01
05	0503033034	TRACTION SPRING		01
06	0502012535	RIGHT ARM PRESS WHEELS		01
07	0502012536	LEFT ARM PRESS WHEELS		01
08	0502012532	PRESS WHEEL ADJUSTMENT LEVER		01
09	0561010193	12,70 X 80 PIN		01
10	0503011828	FLAT WASHER		02
11	0521010543	1" X 5" COUPLING SHAFT		01
12	0503010839	03"X 0.6" SPRING PIN		02
13	0501066592	IRON PRESS WHEEL LEFT SCRAPER		01
14	0501066591	IRON PRESS WHEEL RIGHT SCRAPER		01
15	0502011156	LEFT FIXER WHEEL		01
16	0502011155	RIGHT FIXER WHEEL		01
17	0503011082	C1/2" X 1.3/4" SCREW		02
18	0511017302	FLAT WASHER 13,50 X 32,50 X 3,0 ZN		02
19	0503011440	SPRING WASHER		02
20	0503010691	1/4" GREASE FITTING		01

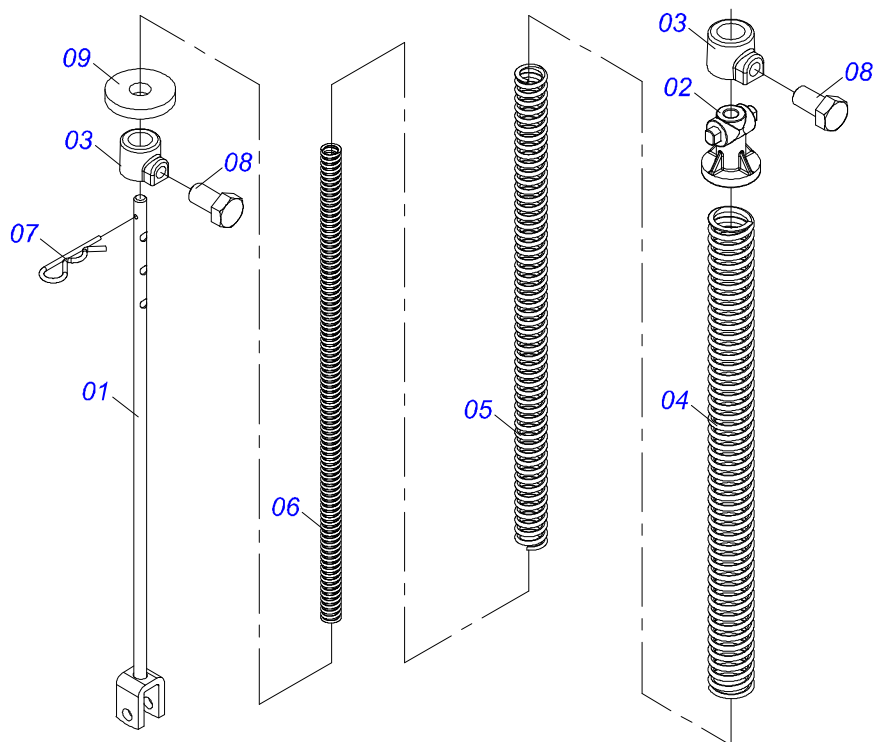


Item	Code	Description	See page	QT
01	0502011970	IRON PRESS WHEEL		01
02	0503010598	30204 BALL BEARING		02
03	0503011112	SEAL 02376-BRG		01
04	0521019148	LEFT DOUBLE DISC HUB		01
05	0511015098	FLAT WASHER		01
06	0503030282	3/4" CASTLE NUT		01
07	0503010257	1/8" X 1" COTTERPIN		01
08	0503030757	2.9" X 2" X 0.02" JOINT		01
09	0521019178	PROTECTION LID		01
10	0503011441	SPRING WASHER		03
11	0503013758	1/4" X 1-1/2" BOLT		03
12	0511016896	DUST CLOAK		01



Item	Code	Description	See page	QT
01	0502011970	IRON PRESS WHEEL		01
02	0503010598	30204 BALL BEARING		02
03	0503011112	SEAL 02376-BRG		01
04	0521019154	RIGHT DOUB DISC HUB		01
05	0511015098	FLAT WASHER		01
06	0503030282	3/4" CASTLE NUT		01
07	0503010257	1/8" X 1" COTTERPIN		01
08	0503030757	2.9" X 2" X 0.02" JOINT		01
09	0521019178	PROTECTION LID		01
10	0503011441	SPRING WASHER		03
11	0503013758	1/4" X 1-1/2" BOLT		03
12	0511016896	DUST CLOAK		01

SPRING ROD



Item	Code	Description	See page	QT
01	0511063983	SPRING GUIDE		01
02	1902010228	TOP SPRING GUIDE		01
03	0502040534	SPRING GUIDE BUSHING LOCK		02
04	0503031695	2.2"X27.5"X0.3" COMPRESSION SPRING		01
05	0503030642	1"X27.5" X 0.2" COMPRESSION SPRING		01
06	0503030643	1.6"X27.5"X0.2" COMPRESSION SPRING		01
07	0503030168	HITCH PIN CLIP		01
08	0501018535	1/2 X 1 BOLT		02
09	0501011090	FLAT WASHER		01







**MARCHESAN**

***Technical Publications | Elaboration and Revision***

LORENA ROCHA ALVES

[www.marchesan.com.br](http://www.marchesan.com.br)

