

**CORN HEAD**

**PMT 4600 - 06E800 - MASSEY FERGUSON  
5690**

**Code:** 0501093132  
**Series:** S-0118  
**Revision:** 00  
**Date Revision:** FEVEREIRO/2022

**PARTS  
CATALOGUE**



**MARCHESAN**



# PRODUCTS

Code	Description
0116011340	PMT 4600/6E800 MF ADV 5690 TRD S-0118

## ATTENTION: IMPORTANT

Marchesan S.A. reserves the right to improve and/or modify the technical features of its products, without obligation to do the same with those products already sold and without prior knowledge of the dealer or the consumer. The photos are only illustrative.



**MARCHESAN**

# INDEX

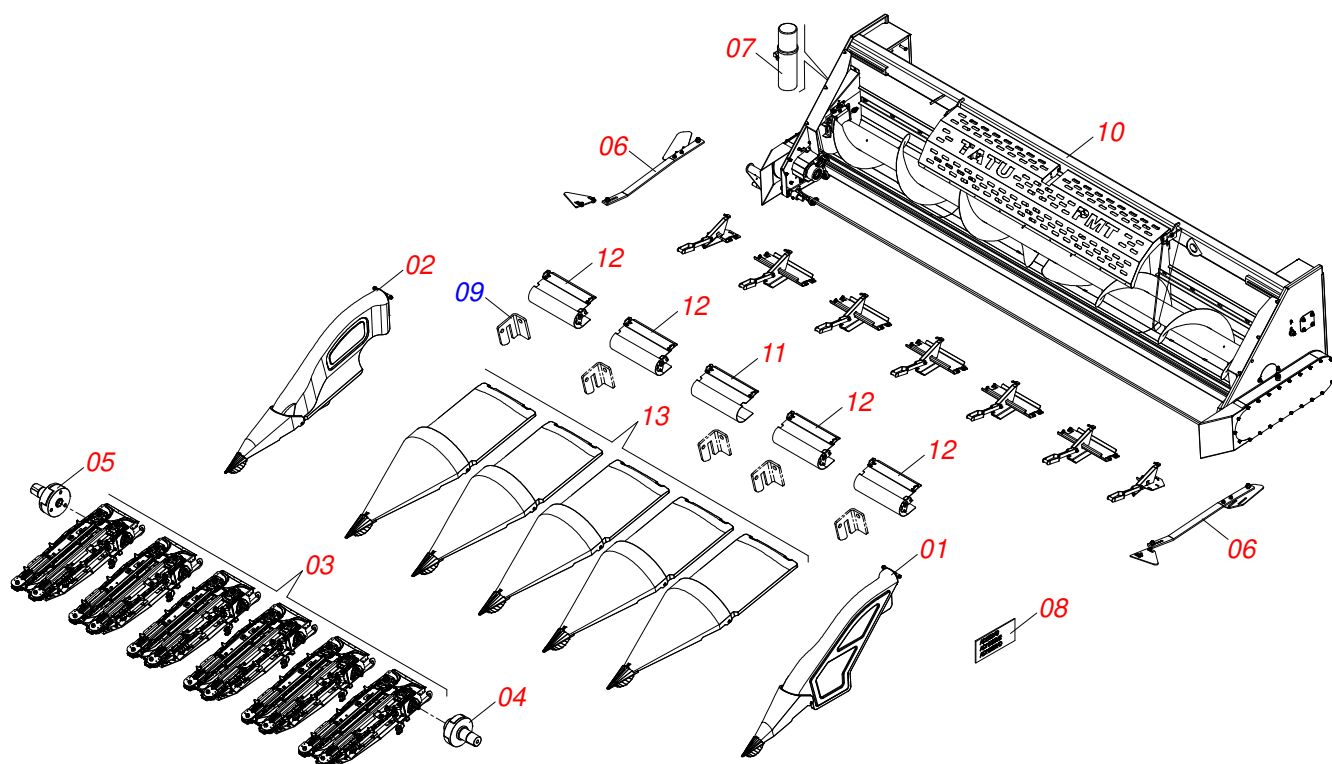
0531041598	ASSY FRAME	1
0521052084	CARENAGE LEFT SIDE ASSY	2
0521052653	CARENAGE RIGHT SIDE ASSY	3
0521052089	ASSY LINE	4
0521052645	ASSY CORN LINE	5
0521052079	TRANSMISSION BOX LINE WITH COLLECTOR ROLLER	6
0521052080	MOUNTED BOX	7
0511050109	BEARING FULL FRONTAL	8
0511050103	BEARING FULL TOP	9
0511050108	BEARING RIGHT SIDE	10
0511050107	BEARING LEFT SIDE	11
0521052641	STRETCHER LEFT ASSY CURRENT	12
0521052640	STRETCHER RIGHT ASSY CURRENT	13
0521052517	ARTICULATOR MACHETE	14
0521052646	FIXER BAR ADJUSTMENT MACHETE	15
0511057189	LEFT BOX DRIVER	16
0511057188	GRAGGER BODY	17
0511052093	SIDE DEVIATION ASSY	18
0511052142	MANUAL CANISTER ASSY	19
0521052662	(ALUMINUM) STICKERS ASSY	20
0531052879	SEMI MOUNTED FRAME	21
0531050829	KNIFE REGULATOR ASSEMBLY FRAME 4600	22
0521055912	MACHETE REGULATOR ASSY	23
0531050816	CARDAN ASSY WITH TIP	24
0501059170	DRIVE SHAFT	25
0521055829	ASSY TOP PROTECTION	26
0531050784	SIDE TRANSMISSION	27
0521052071	TORQUE LIMITER	28
0521040683	CHAIN TENSIONER	29
0531050695	HELICAL CONDUCTOR CHAIN STRETCHER	30
0501111067	HELICAL CONDUCTOR CHAIN STRETCHER	31
0521052073	BEARING FIXED MOUNTED	32
0521040684	CHAIN TENSIONER	33
0521055833	TRANSMISSION SIDE PROTECTION	34
0521052077	SCREW COVER	35
0521052456	ASSY CLOSING BEARING	36
0521052076	LEFT BEARING	37
0521052075	RIGHT BEARING	38
0511050920	BEARING	39
0531050832	HELICOIDAL SIMPLE P 4600 ASSY	40
0521055834	HELICAL CONDUCTOR SIDE STRETCHER	41
0521052074	BEARING OSCILLATING	42
0521055830	ASSY REST	43
0531058050	HELICAL CONDUCTOR SCRAPER ASSEMBLY 4600	44
0521055916	ASSEMBLY LEFT REAR COVER	45
0531053176	ASSEMBLY RIGHT REAR COVER	46
0521055831	ASSEMBLY LOWER LEFT PROTECTION COVER	47
0521055832	ASSEMBLY LOWER RIGHT PROTECTION COVER	48
0531050839	SIDE FINISH PROTECTION 75	49
0521055836	FIXER RIGHT ASSY BICO	50
0521055835	LEFT FIXER ASSY NOZZLE	51
0511052139	PROTECTION COVER CARDAN	52
0531052861	COUPLING MF 5650/3640/32/34/38 ADV	53
0531052878	ASSY NOZZLE FIXER 800	54
0531052875	PROTECTION ASSY WITHOUT EXTENSIONER 800	55



# INDEX

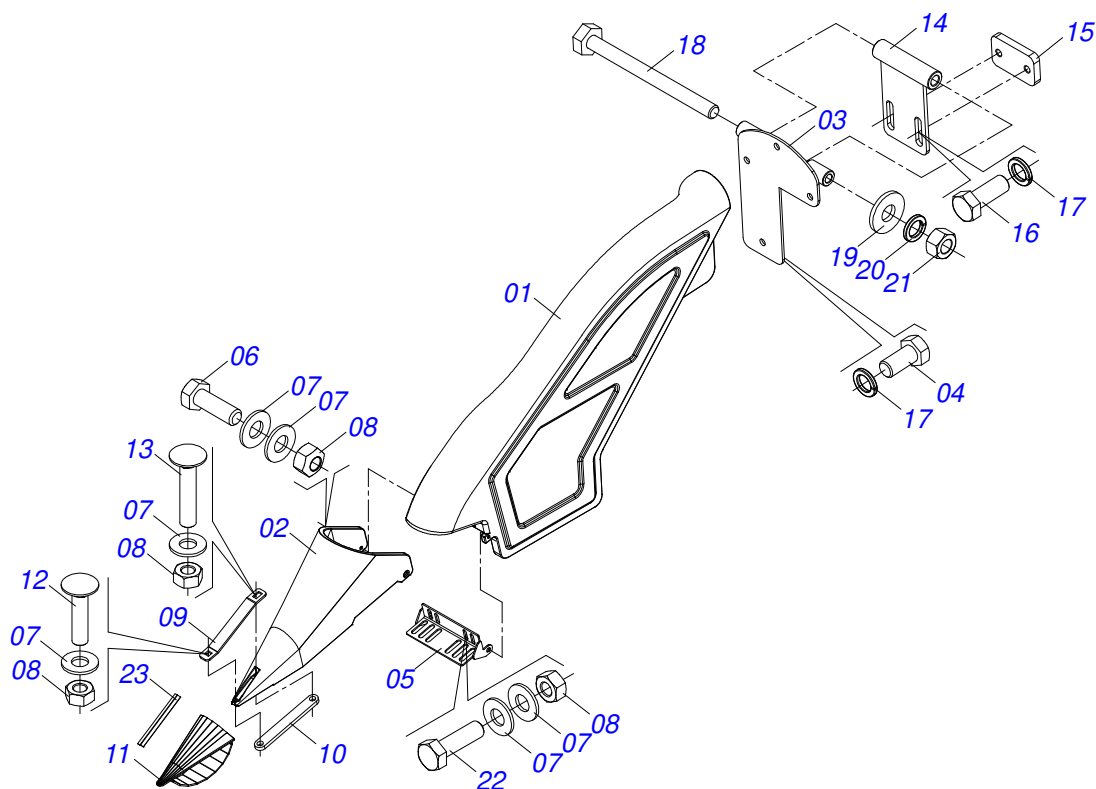
0531052876	EXTENDER PROTECTION ASSY 800	.....	56
0531052877	EXTENDER 800 ASSY	.....	57
0531052891	CAREEN FRONT ASSEMBLY MOUNTED 800	.....	58
0521027162	BOX WITH COMPONENTS	.....	59

ASSY FRAME



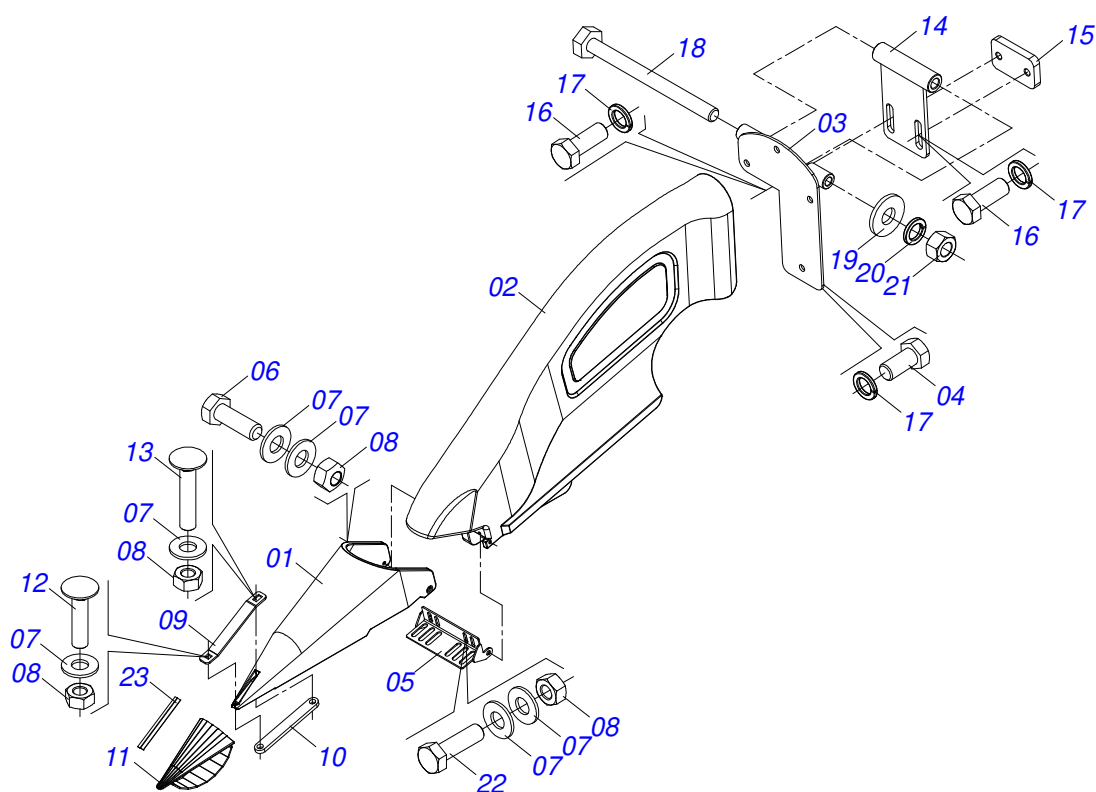
Item	Code	Description	See page	QT
01	0521052084	CARENAGE LEFT SIDE ASSY	2	01
02	0521052653	CARENAGE RIGHT SIDE ASSY	3	01
03	0521052089	ASSY LINE	4	06
04	0511057189	LEFT BOX DRIVER	16	01
05	0511057188	GRAGGER BODY	17	01
06	0511052093	SIDE DEVIATION ASSY	18	02
07	0511052142	MANUAL CANISTER ASSY	19	01
08	0521052662	(ALUMINUM) STICKERS ASSY	20	01
09	0571010887	RIGHT GUIDE ADJUSTMENT BAR		05
10	0531052879	SEMI MOUNTED FRAME	21	01
11	0531052875	PROTECTION ASSY WITHOUT EXTENSIONER 800	55	01
12	0531052876	EXTENDER PROTECTION ASSY 800	56	04
13	0531052891	CAREEN FRONT ASSEMBLY MOUNTED 800	58	05

CARENAGE LEFT SIDE ASSY

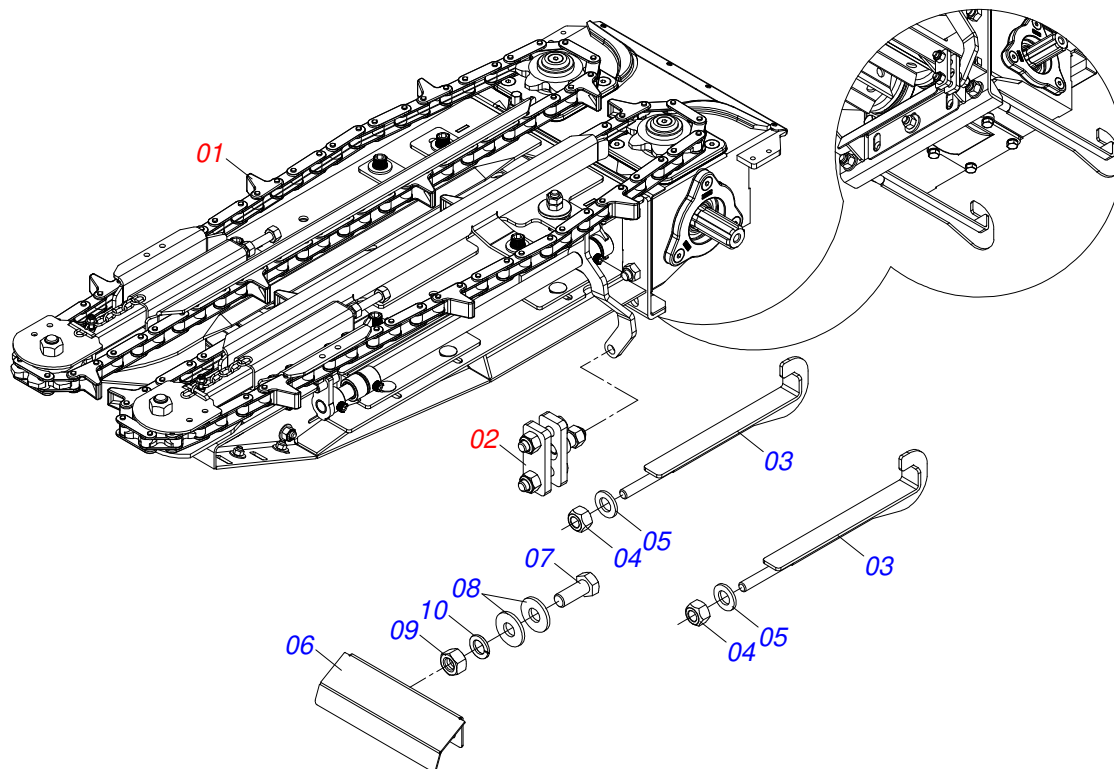


Item	Code	Description	See page	QT
01	0503050085	SIDE LEFT FAIRING		01
02	0503033571	FRONT LEFT FAIRING		01
03	0521062761	ARTICULATING FAIRING		01
04	0503012556	1/2" X 1" BOLT		04
05	0521062990	SUPPORT SIDE FAIRING		01
06	0503010675	5/16" X 2.1/4" BOLT		02
07	0501010694	8.5 X 18 X 1.5 FLAT WASHER		10
08	0503013816	5/16" LOCKNUT		06
09	0581015783	TOP FIXER SLIDER NOZZLE		01
10	0581015786	FIXED BASE		01
11	0521068578	LEFT SIDE NOZZLE		01
12	0501011753	5/16" X 1-3/4" BOLT		01
13	0501011752	5/16" X 3" BOLT		01
14	0521062759	ARTICULATING FAIRING		01
15	0571010831	FIXER SUPPORT		01
16	0503010395	1/2" X 1-1/4" BOLT		02
17	0503010019	1/2" SPRING WASHER		06
18	0521062973	5/8" X 245" BOLT		01
19	0501012140	FLAT WASHER		01
20	0503010027	5/8" SPRING WASHER		01
21	0503010013	5/8" NUT		01
22	0503010882	BOLT		02
23	0503033138	LABEL ADHESIVE REFLECTIVE BICO		01

CARENAGE RIGHT SIDE ASSY



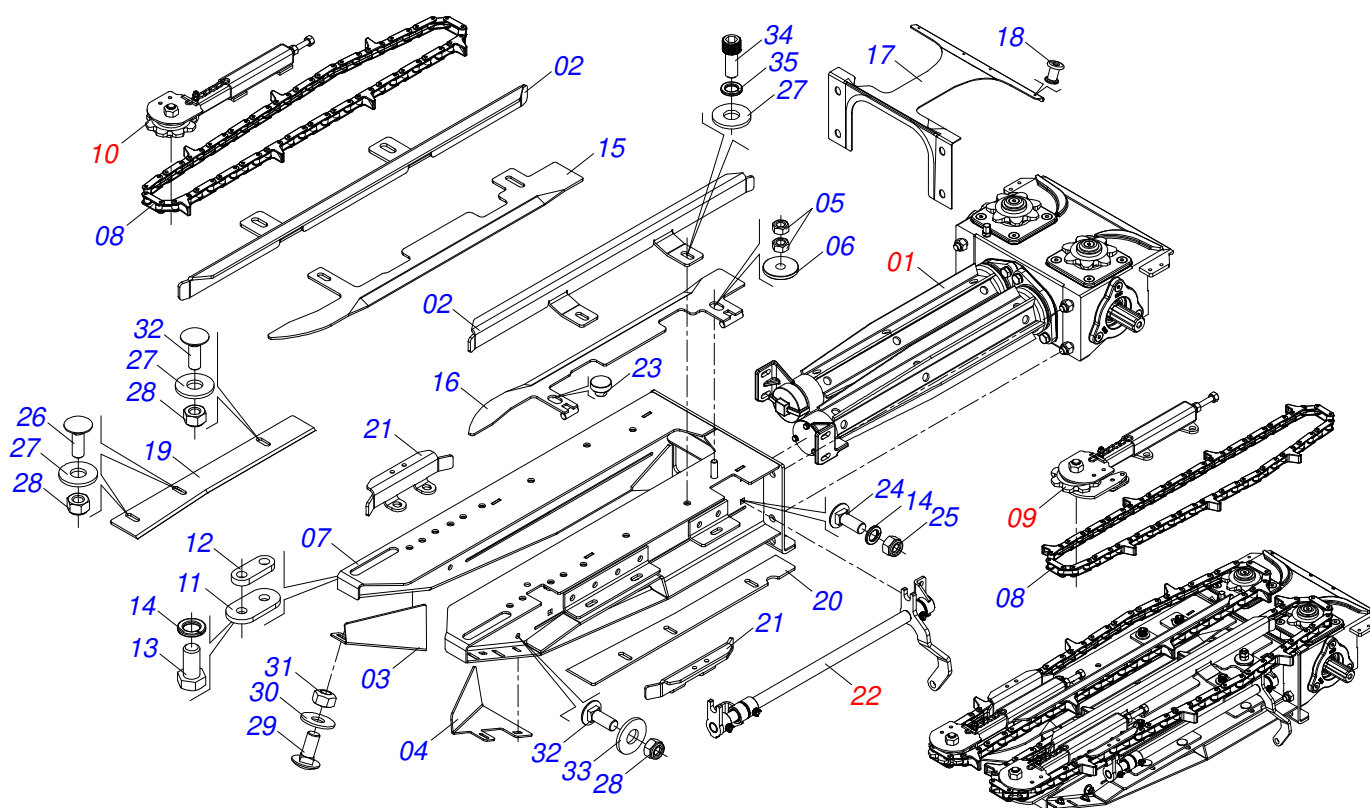
Item	Code	Description	See page	QT
01	0503033529	FRONT RIGHT FAIRING		01
02	0503050086	FRONT SIDE FAIRING		01
03	0521062760	ARTICULATING FAIRING		01
04	0503012556	1/2" X 1" BOLT		04
05	0521062990	SUPPORT SIDE FAIRING		01
06	0503010675	5/16" X 2.1/4" BOLT		02
07	0501010694	8.5 X 18 X 1.5 FLAT WASHER		10
08	0503013816	5/16" LOCKNUT		06
09	0581015783	TOP FIXER SLIDER NOZZLE		01
10	0581015786	FIXED BASE		01
11	0521068577	RIGHT SIDE NOZZLE		01
12	0501011753	5/16" X 1-3/4" BOLT		01
13	0501011752	5/16" X 3" BOLT		01
14	0521062759	ARTICULATING FAIRING		01
15	0571010831	FIXER SUPPORT		01
16	0503010395	1/2" X 1-1/4" BOLT		02
17	0503010019	1/2" SPRING WASHER		06
18	0521062973	5/8" X 245" BOLT		01
19	0501012140	FLAT WASHER		01
20	0503010027	5/8" SPRING WASHER		01
21	0503010013	5/8" NUT		01
22	0503010882	BOLT		02
23	0503033138	LABEL ADHESIVE REFLECTIVE BICO		01



Item	Code	Description	See page	QT
01	0521052645	ASSY CORN LINE	5	01
02	0521052646	FIXER BAR ADJUSTMENT MACHETE	15	01
03	0521060120	BOX HITCH		02
04	0503015079	LOCK NUT		02
05	0501010301	FLAT WASHER		02
06	0561012492	BAR ADJUSTMENT CENTRAL PROTECTION		01
07	0503012135	BOLT 1/2 UNF X 1.1/2 CS G.5 ZN		01
08	0501010937	13.5 X 28 X 3 FLAT WASHER		02
09	0503010028	1/2" NUT		01
10	0503010019	1/2" SPRING WASHER		01



ASSY CORN LINE



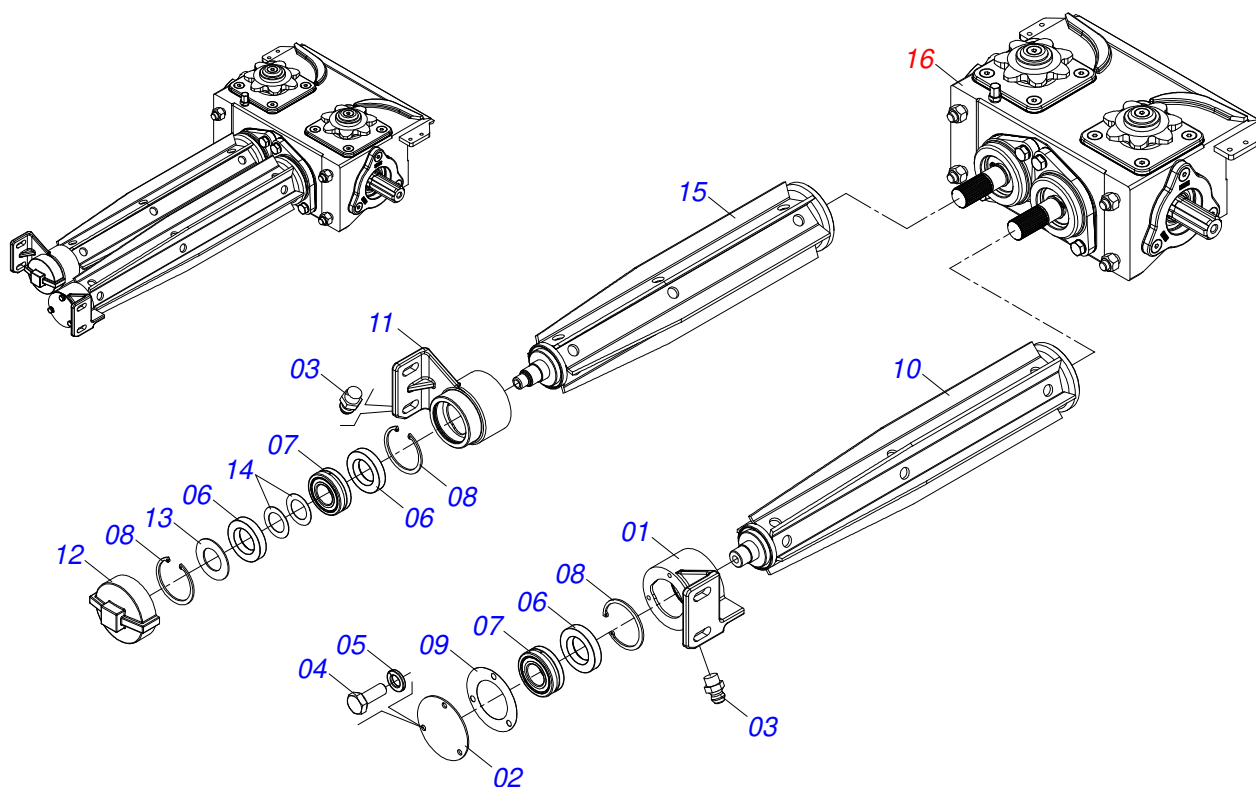
Item	Code	Description	See page	QT
01	0521052079	TRANSMISSION BOX LINE WITH COLLECTOR 6 ROLLER		01
02	0561017636	GUIDE CHAIN		02
03	0561012171	LEFT GUIDE ENTRANCE		01
04	0561010537	RIGHT GUIDE ENTRANCE		01
05	0503012254	M12 X 0.7" NUT		02
06	0571013118	WASHER GUIDE		01
07	0521060123	FRONT FAIRING SUPPORT		01
08	0503015031	CHAIN CA 2060H (7AUE) X 56 LINK		02
09	0521052641	STRETCHER LEFT ASSY CURRENT	12	01
10	0521052640	STRETCHER RIGHT ASSY CURRENT	13	01
11	0581015849	LOCK		01
12	0581015848	LOWER BODY LOCK		01
13	0503010256	3/8" X 3/4" BOLT		02
14	0503010025	3/8" SPRING WASHER		05
15	0581016534	RIGHT PLATE		01
16	0521068491	LEFT PLATE		01
17	0581016538	FRAME SUPPORT BASE		01
18	0503012722	0.16" X 0.4" BLIND RIVET		04
19	0581013107	RIGHT SCRAPER		01
20	0581016539	LEFT SCRAPER		01
21	0581015841	LOWER CURRENT GUIDE		02
22	0521052517	ARTICULATOR MACHETE	14	01
23	0581016548	WASHER LEFT GUIDE		01
24	0501011643	3/8 X 1" BOLT		03
25	0503013357	3/8" SELF-ADJUSTING NUT		03
26	0503015328	M10 X 1,5 X 35 BOLT		04
27	0511017302	FLAT WASHER		11
28	0503011841	M10 SELF ADJUSTING NUT		10
29	0503011952	5/16" X 3/4" BOLT		04
30	0521011039	FLAT WASHER		04
31	0503013816	5/16" LOCKNUT		04



ASSY CORN LINE

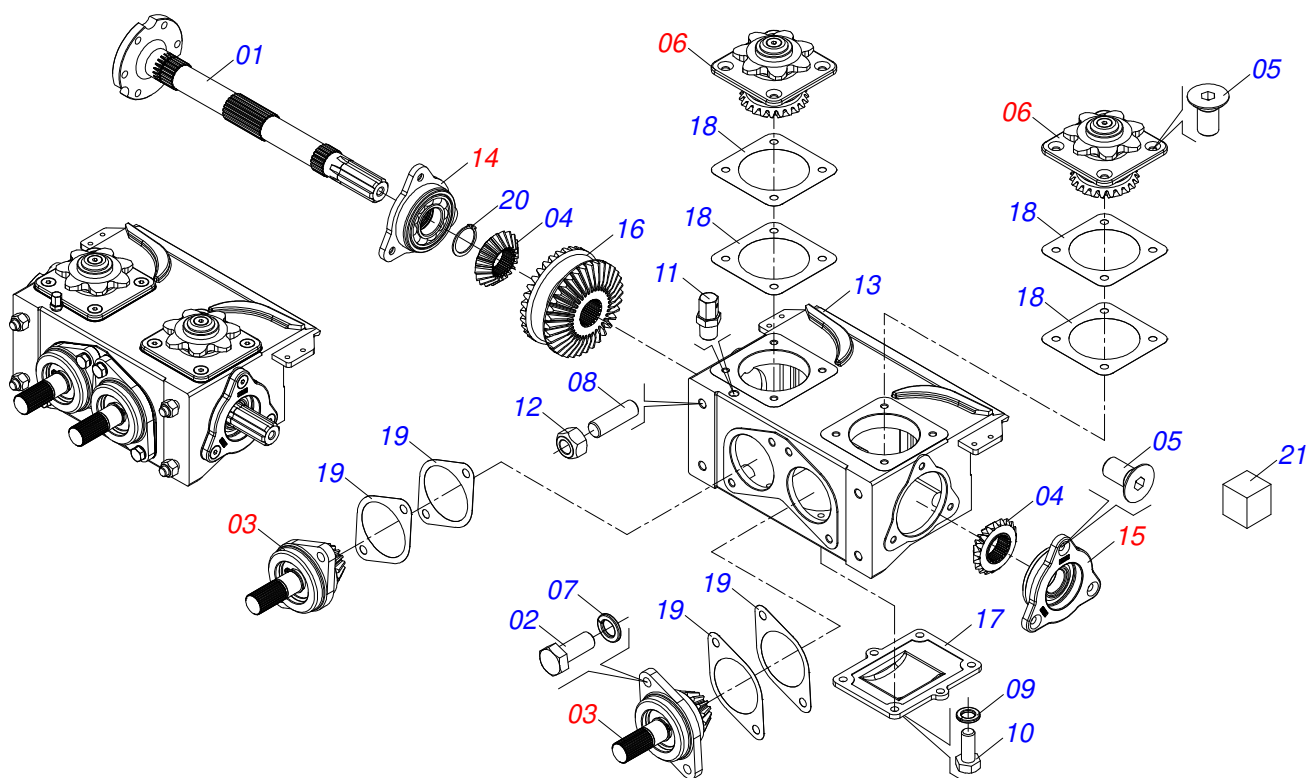
0521052645

Item	Code	Description	See page	QT
32	0503015327	M10 X 1,5 X 30 BOLT		06
33	0501013518	FLAT WASHER		04
34	0503012694	M12 X 1,75 X 30 BOLT		14
35	0503015076	M12 SPRING WASHER		14



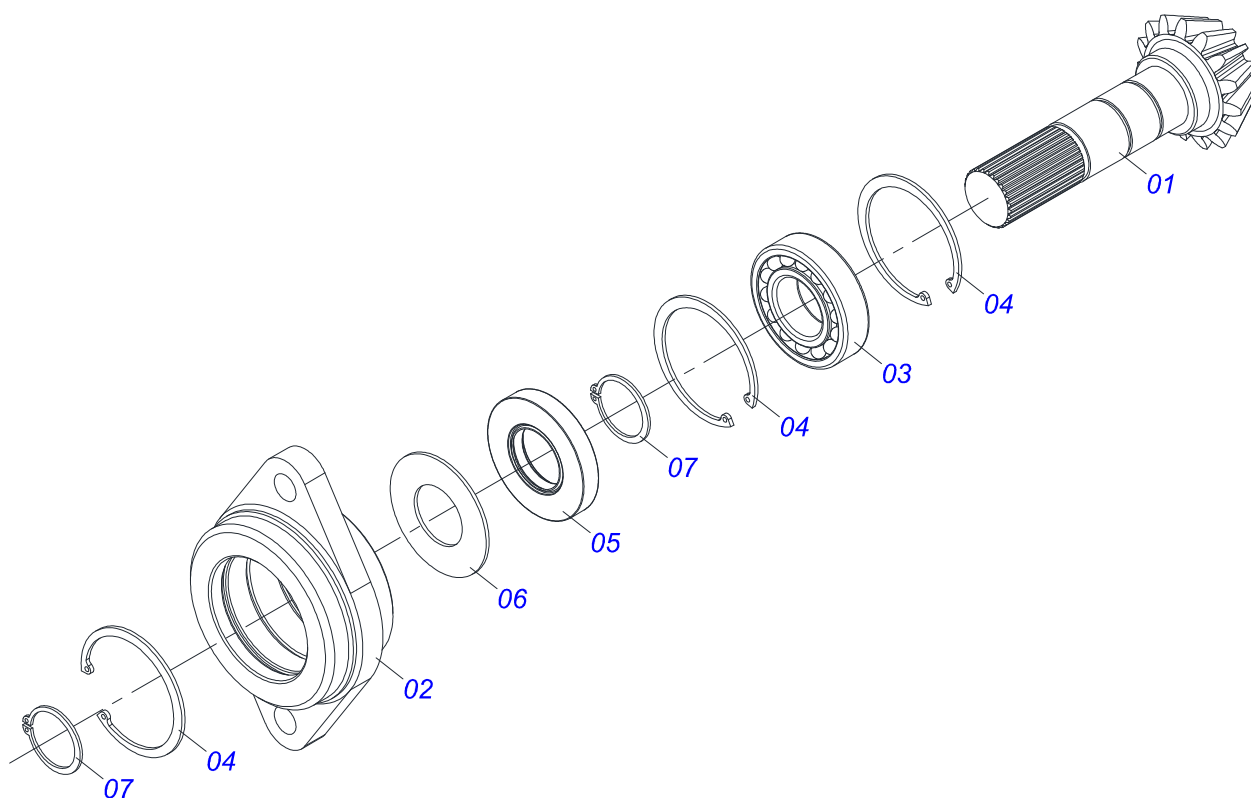
Item	Code	Description	See page	QT
01	0502012559	RH FRONT BEARING		01
02	0561010944	BEARING COVER		01
03	0503010691	1/4" GREASE FITTING		02
04	0503011378	M6X1X16 C S 8.8 ZN BOLT		03
05	0503015110	M06 SPRING WASHER		03
06	0503015038	SEAL 00503		03
07	0503015039	BALL BEARING		02
08	0503015082	502056 CLAMPING RING (FOR AXLE)		03
09	0503033057	RH BEARING JOINT		01
10	0521061835	LEFT ROLLER ROLLER GREATER		01
11	0502012560	LH FRONT BEARING		01
12	0502040804	DIRECTOR		01
13	0561011883	FLAT WASHER		01
14	0511015098	FLAT WASHER		02
15	0521061834	ROLLER PICKUP RIGHT SMALLER		01
16	0521052080	MOUNTED BOX	7	01

MOUNTED BOX



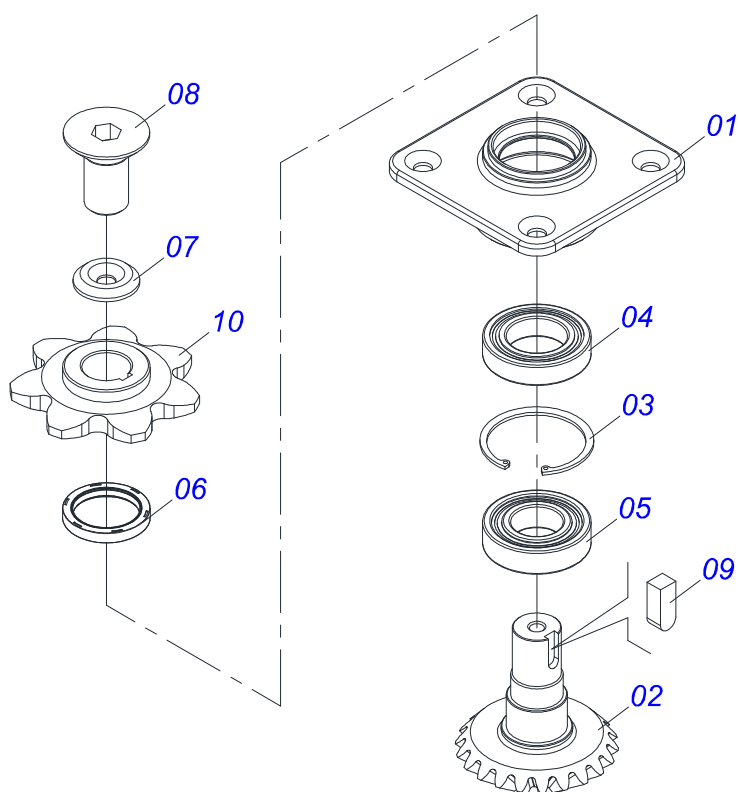
Item	Code	Description	See page	QT
01	0561016528	CENTRAL AXLE		01
02	0503010428	M12 X 1,75 X30 BOLT		04
03	0511050109	BEARING FULL FRONTAL	8	02
04	0561016784	19Z CONICAL GEAR CURRENT		02
05	0503015046	M10 X 1,50 X 20 BOLT		14
06	0511050103	BEARING FULL TOP	9	02
07	0503015076	M12 SPRING WASHER		04
08	0503033056	M14 P.2 X 45 STUD		04
09	0503015075	M10 SPRING WASHER		06
10	0503010172	M10 X 1,5 X 25 BOLT		06
11	0511050190	BREATHE 1/4 BSPT		01
12	0503015079	LOCK NUT		04
13	0502050055	ALUMINUM BOX		01
14	0511050108	BEARING RIGHT SIDE	10	01
15	0511050107	BEARING LEFT SIDE	11	01
16	0581015812	34Z DOUBLE GEAR		01
17	0502012558	COUVERTURE CASH ROW PLATEFORME CORN		01
18	0503033348	BOARD TOP BEARING		04
19	0503033347	GASKET		04
20	0503010217	501040 CLAMPING RING (FOR AXLE)		01
21	1882970004	GREASE		01

BEARING FULL FRONTAL



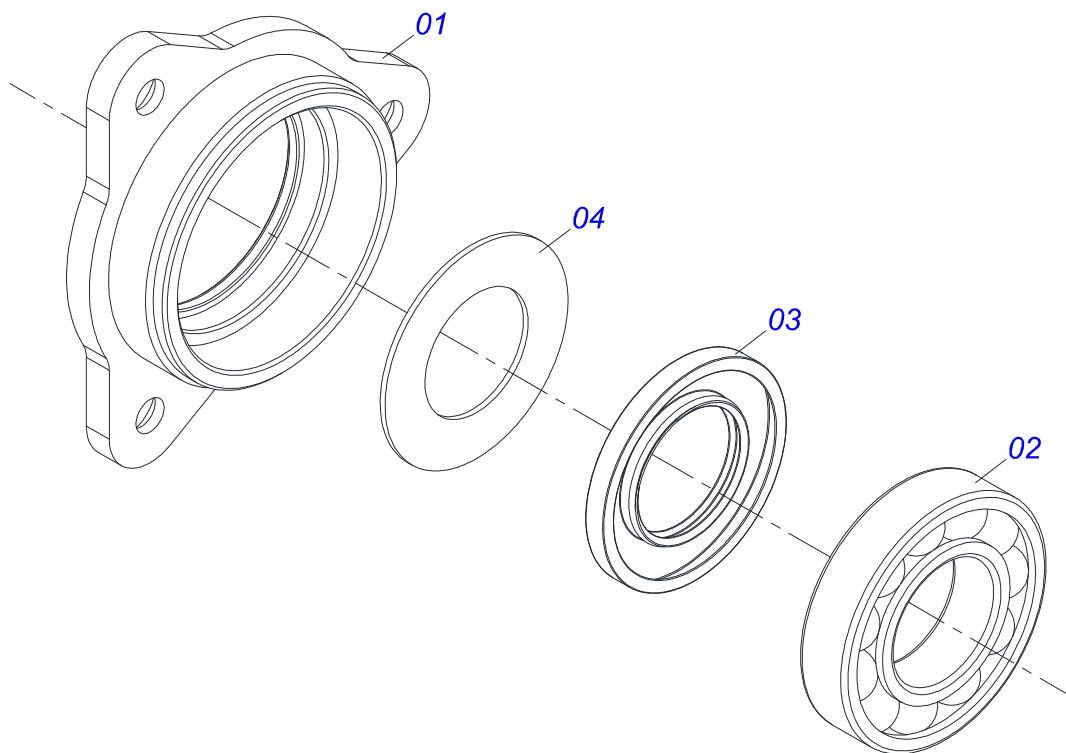
Item	Code	Description	See page	QT
01	0561016782	PINION CONICAL ROLL		01
02	0502012657	FRONT ROLLER BEARING		01
03	0503016064	BEARING		01
04	0503011800	SEAL RING		03
05	0503015903	SEAL		01
06	0561016789	FLAT WASHER		01
07	0503010707	501030 CLAMPING RING (FOR AXLE)		02

BEARING FULL TOP



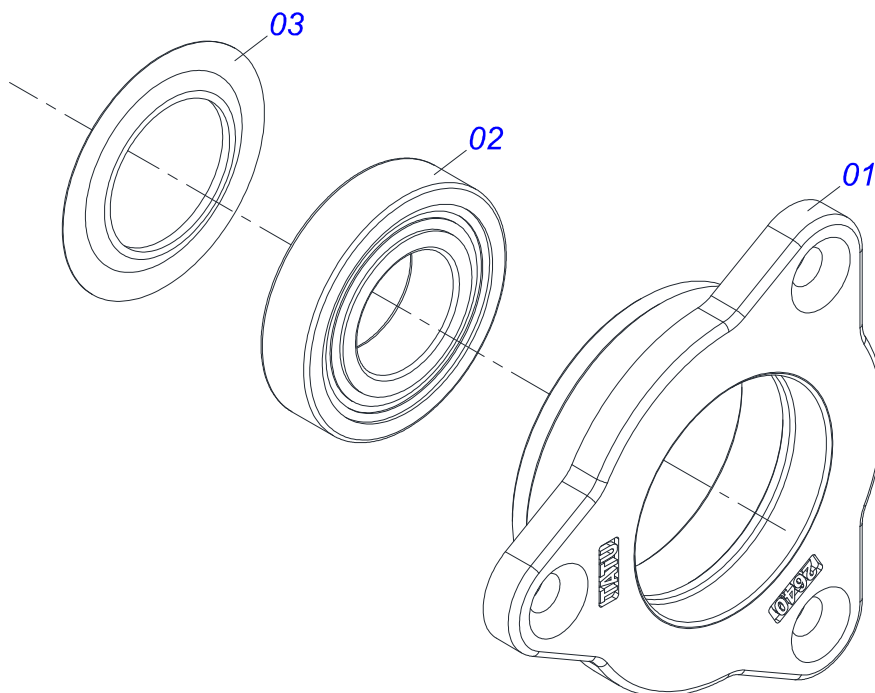
Item	Code	Description	See page	QT
01	0502012654	TOP BEARING CASE		01
02	0561016785	PINION CONICAL 22Z M4 CHAIN		01
03	0503011800	SEAL RING		01
04	0503016065	ROLLER BEARING		01
05	0503016063	ROLLER BEARING		01
06	0503015901	SEAL		01
07	0561016792	LOCK WASHER		01
08	0503015046	M10 X 1,50 X 20 BOLT		01
09	0503015902	8,0 X 7,0 X 20 KEYWAY		01
10	0571019643	GEAR 7Z P1.1/2 MOTORA		01

BEARING RIGHT SIDE



Item	Code	Description	See page	QT
01	0502012640	BEARING SIDE BOX		01
02	0503016062	BEARING		01
03	0503015900	SEAL		01
04	0561016790	FLAT WASHER		01

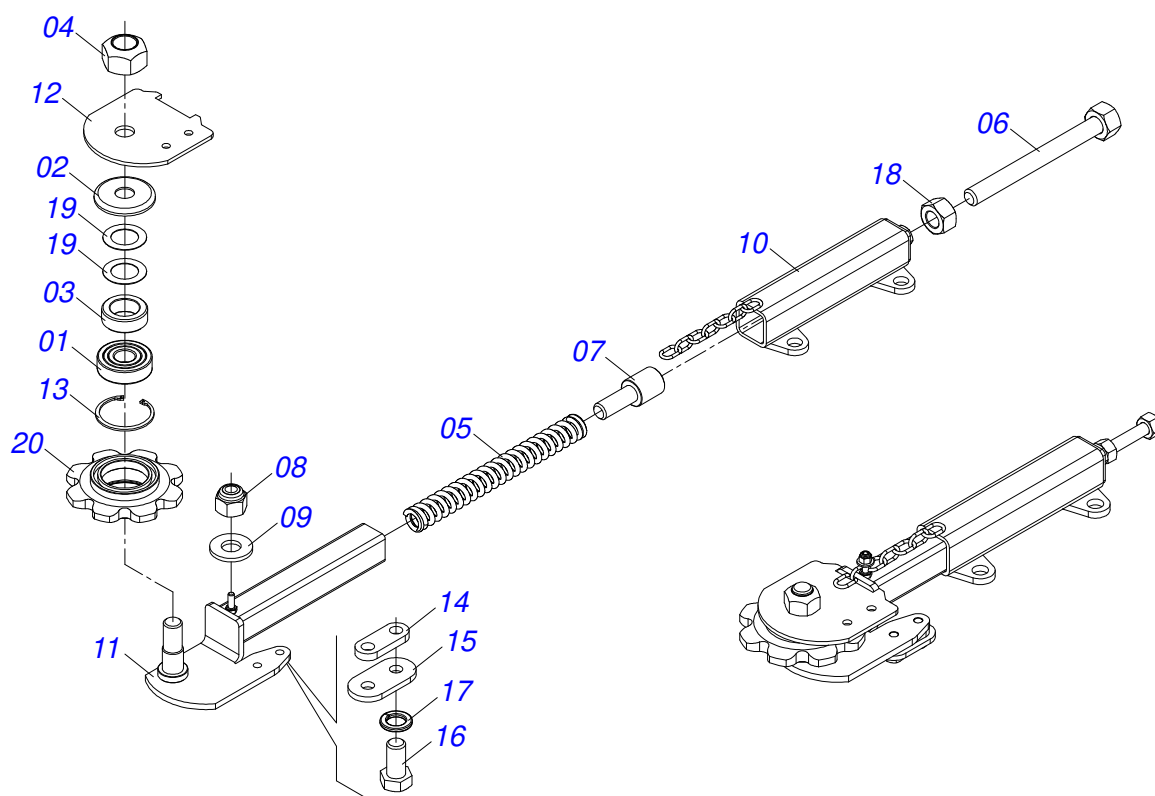
BEARING LEFT SIDE



Item	Code	Description	See page	QT
01	0502012655	BEARING LEFT SIDE		01
02	0503016061	BEARING		01
03	0503016077	SEAL RING		01

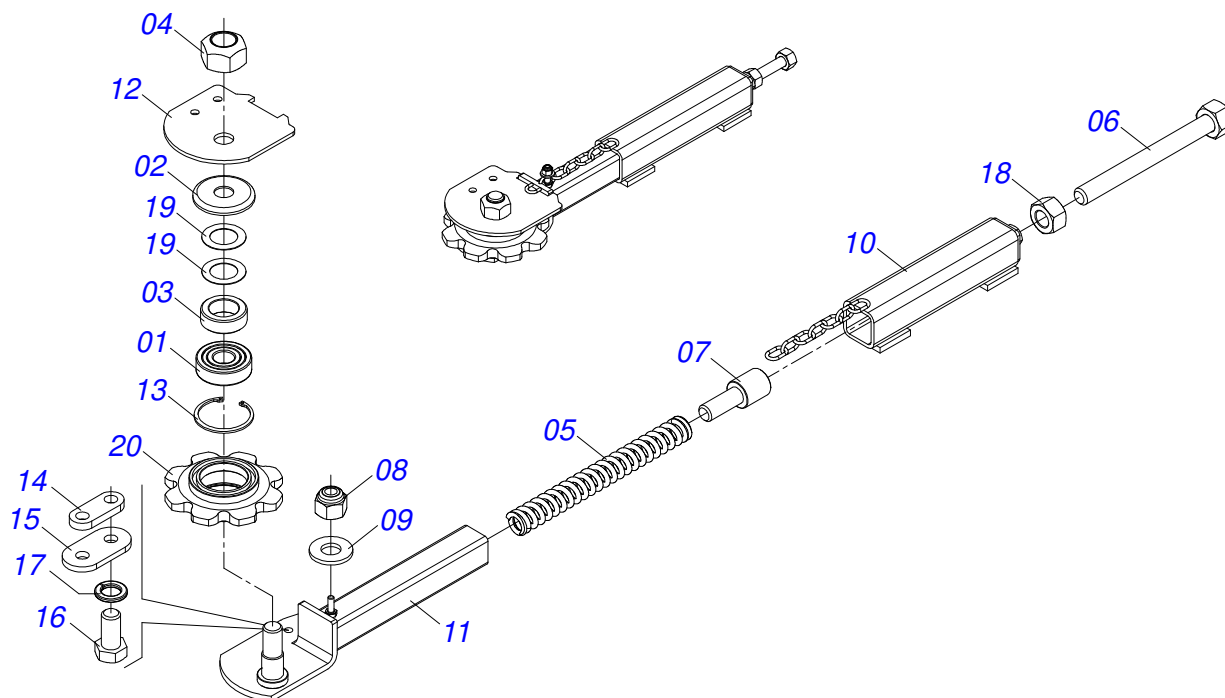


**STRETCHER LEFT ASSY CURRENT**



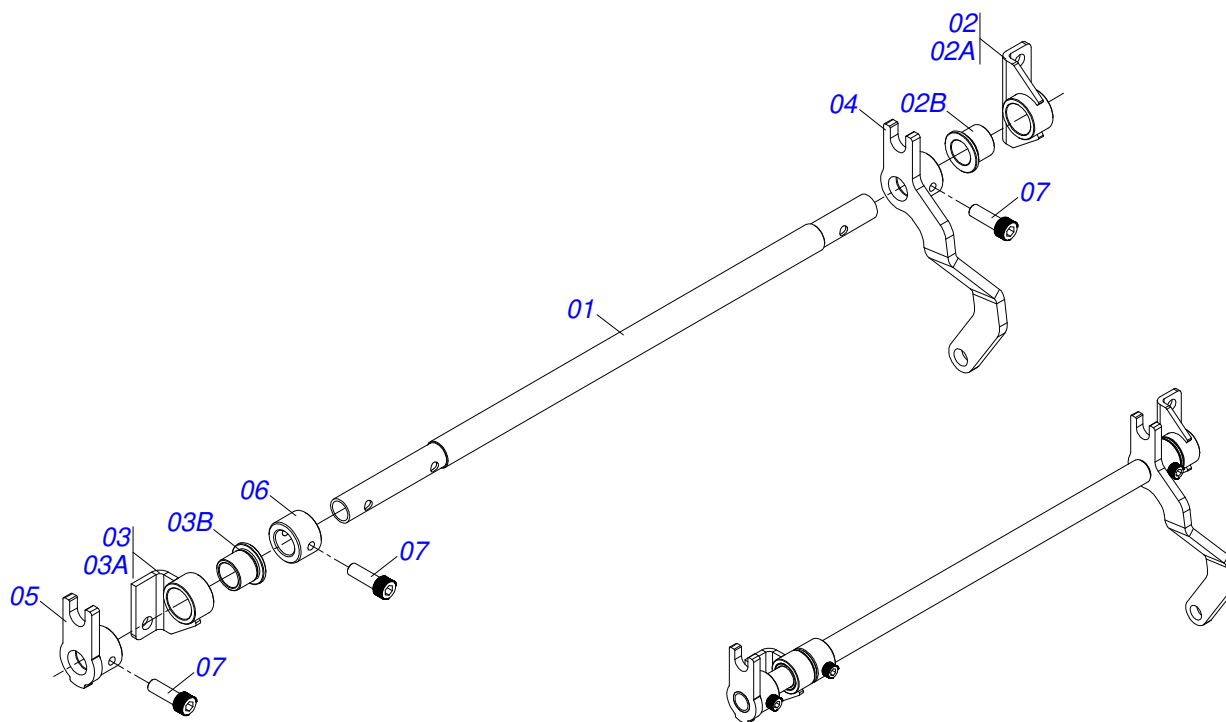
Item	Code	Description	See page	QT
01	0503015052	ROLLER BEARING 6304		01
02	0561011653	DUST CLOAK 55 X 4,5		01
03	0561010551	20 X 31,5 SLEEVE		01
04	0503011255	3/4" LOCK NUT		01
05	0503033041	COMPRESSION SPRING		01
06	0521060237	CHAIN TENSIONER JACK		01
07	0561012098	PIN 13,5 X 35 PMT		01
08	0503011776	M6 SELF ADJUSTINGNUT		01
09	0511017303	FLAT WASHER		01
10	0521068307	GUIDE LEFT STRETCHER		01
11	0521068308	FRONT LEFT STRETCHER		01
12	0581015842	CURRENT ALIGNER		01
13	0503015081	502052 CLAMPING RING (FOR AXLE)		01
14	0581015848	LOWER BODY LOCK		01
15	0581015849	LOCK		01
16	0503010256	3/8" X 3/4" BOLT		02
17	0503010025	3/8" SPRING WASHER		02
18	0503010060	1/2" NUT		01
19	0511015098	FLAT WASHER		02
20	0571019642	GEAR 8Z P1.1/2 MOVIDA PMT		01

**STRETCHER RIGHT ASSY CURRENT**

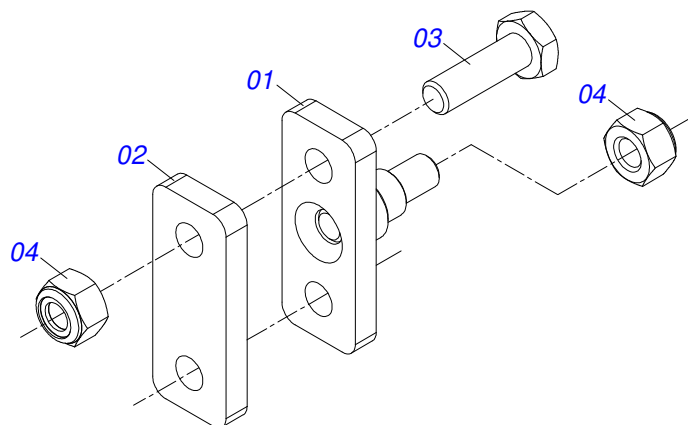


Item	Code	Description	See page	QT
01	0503015052	ROLLER BEARING 6304		01
02	0561011653	DUST CLOAK 55 X 4,5		01
03	0561010551	20 X 31,5 SLEEVE		01
04	0503011255	3/4" LOCK NUT		01
05	0503033041	COMPRESSION SPRING		01
06	0521060237	CHAIN TENSIONER JACK		01
07	0561012098	PIN 13,5 X 35 PMT		01
08	0503011776	M6 SELF ADJUSTINGNUT		01
09	0511017303	FLAT WASHER		01
10	0521068309	RIGHT STRETCH GUIDE		01
11	0521068310	FRONT RIGHT STRETCHER		01
12	0581015842	CURRENT ALIGNER		01
13	0503015081	502052 CLAMPING RING (FOR AXLE)		01
14	0581015848	LOWER BODY LOCK		01
15	0581015849	LOCK		01
16	0503010256	3/8" X 3/4" BOLT		02
17	0503010025	3/8" SPRING WASHER		02
18	0503010060	1/2" NUT		01
19	0511015098	FLAT WASHER		02
20	0571019642	GEAR 8Z P1.1/2 MOVIDA PMT		01

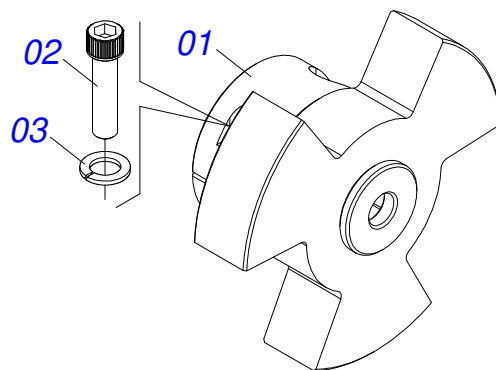
ARTICULATOR MACHETE



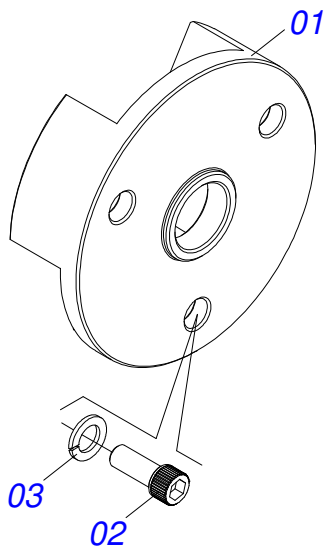
Item	Code	Description	See page	QT
01	0581013767	TUBE ARTICULATOR		01
02	0501110892	REAR BEARING WITH GLOVE		01
02A	0521068510	ARTICULATED REAR BEARING		01
02B	0581016547	GLOVE		01
03	0501110891	FRONT BEARING WITH GLOVE		01
03A	0521068508	ARTICULATED FRONT BEARING		01
03B	0581016547	GLOVE		01
04	0521068509	ARTICULATED LEVER		01
05	0521067520	GUIDE FRONT ARTICULATOR		01
06	0581016543	ARTICULATED LOCK GLOVE		01
07	0503019217	SCREW M8 X 1,25 X 35 CCSI G12.9 ZN		03



Item	Code	Description	See page	QT
01	0521060124	ADJUSTMENT BAR FIXER		01
02	0561010955	FIXER BODY CONTROL		01
03	0503015113	M10 X 1,5 X 45 BOLT		02
04	0503011841	M10 SELF ADJUSTING NUT		03

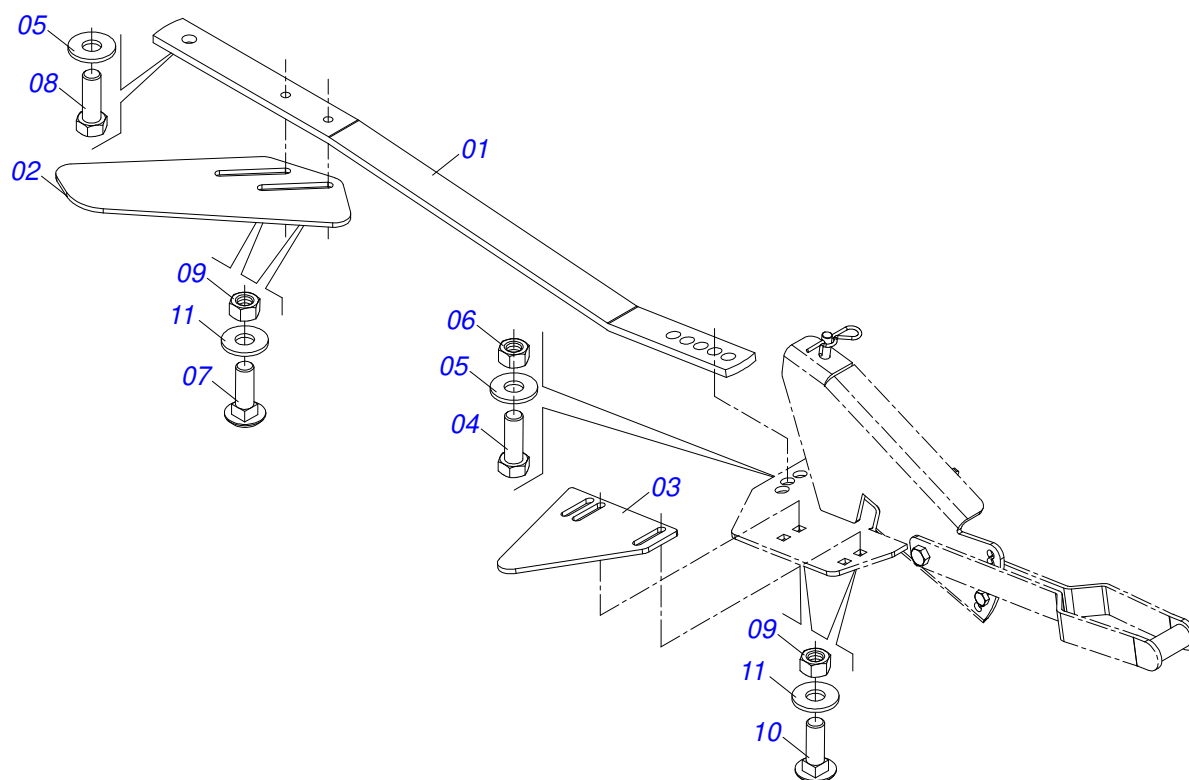


Item	Code	Description	See page	QT
01	0521063714	BOX FOLLOWER		01
02	0503015348	3/8" BOLT		02
03	0503010025	3/8" SPRING WASHER		02

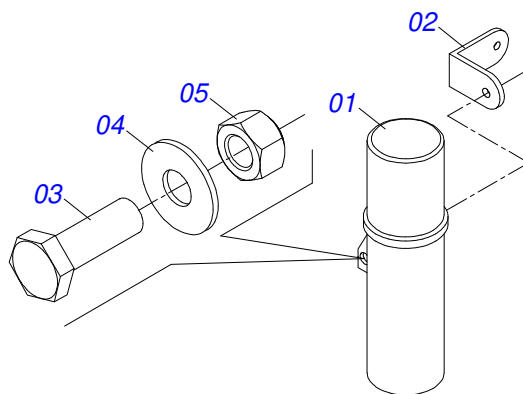


Item	Code	Description	See page	QT
01	0502040839	BODY DRAG BOX RIGHT		01
02	0503010562	1/2" X 1" BOLT		03
03	0503010019	1/2" SPRING WASHER		03

SIDE DEVIATION ASSY

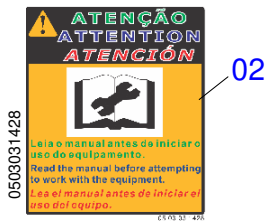


Item	Code	Description	See page	QT
01	0561012483	SIDE BAR		01
02	0561012614	PLATE REAR PMT		01
03	0561012615	FRONT PLATE		01
04	0503015112	M10 X 1,5 X 30 BOLT		01
05	0501010984	FLAT WASHER		03
06	0503011841	M10 SELF ADJUSTING NUT		02
07	0503011953	5/16" X 1" BOLT		02
08	0503015130	M10 X 1,5 X 35 BOLT		01
09	0503013816	5/16" LOCKNUT		04
10	0503011952	5/16" X 3/4" BOLT		02
11	0501010694	8.5 X 18 X 1.5 FLAT WASHER		04



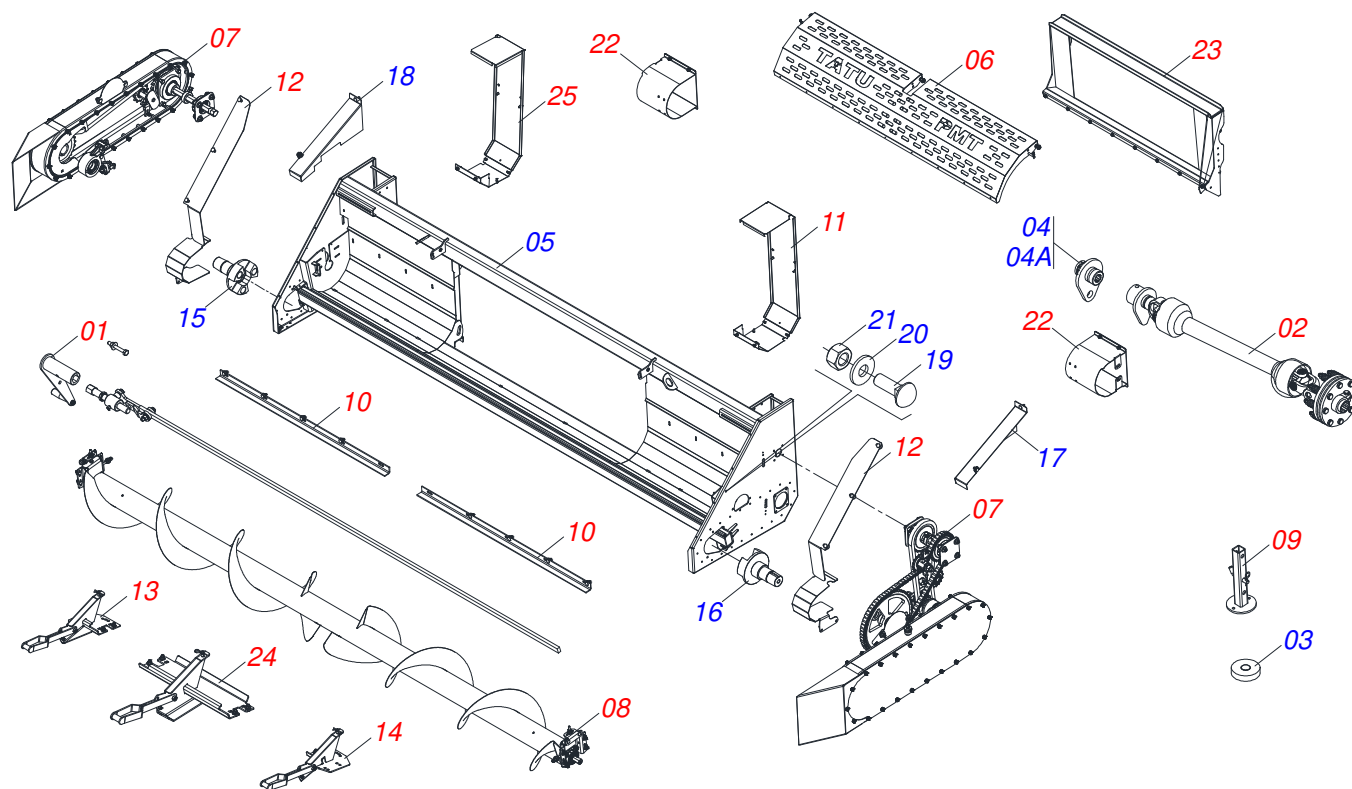
Item	Code	Description	See page	QT
01	0503060100	OPERATOR'S MANUAL STORAGE TUBE		01
02	0541016866	CLOAK MANUAL FIXER L		01
03	0503010365	NUT		02
04	0501010694	8.5 X 18 X 1.5 FLAT WASHER		04
05	0503010337	5/16" NUT		02
06	0501090875	INSTRUCTION MANUAL		01



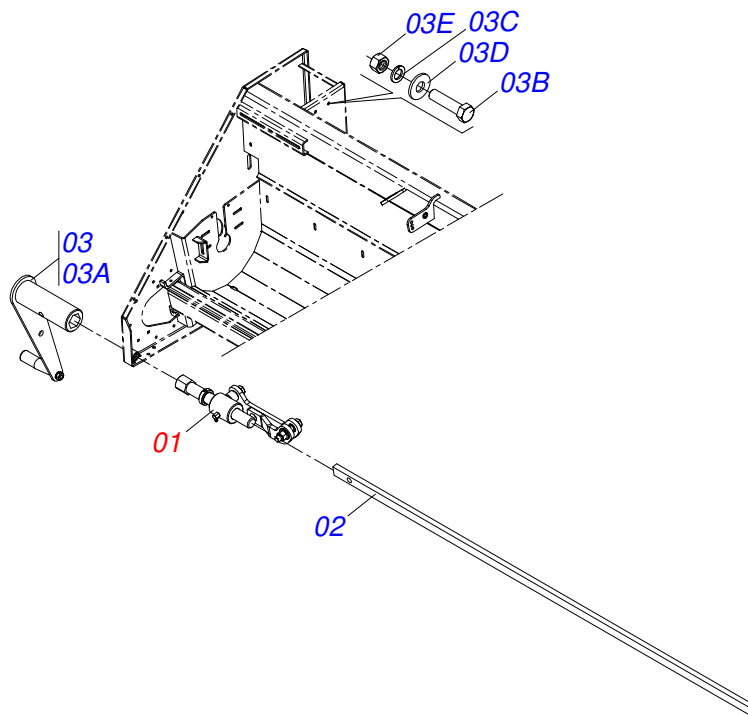


Item	Code	Description	See page	QT
01	0503062752	ASSY LABEL ADHESIVE RESINATED		01
02	0503031428	READ MANUAL DECAL		01
03	0503031427	ADHESIVE LABEL		02
04	0503033130	ADHESIVE LABEL DANGER		01
05	0503031827	LUBRICATE AND RETIGHTEN DAILY DECAL		04
06	0503032534	ADHESIVE LABEL		02
07	0503034665	SIDE TRANSMISSION ADHESIVE LABEL (ALUMINUM)		02
08	0503033293	ADHESIVE LABEL AND OPENS CLOSSES		02

SEMI MOUNTED FRAME

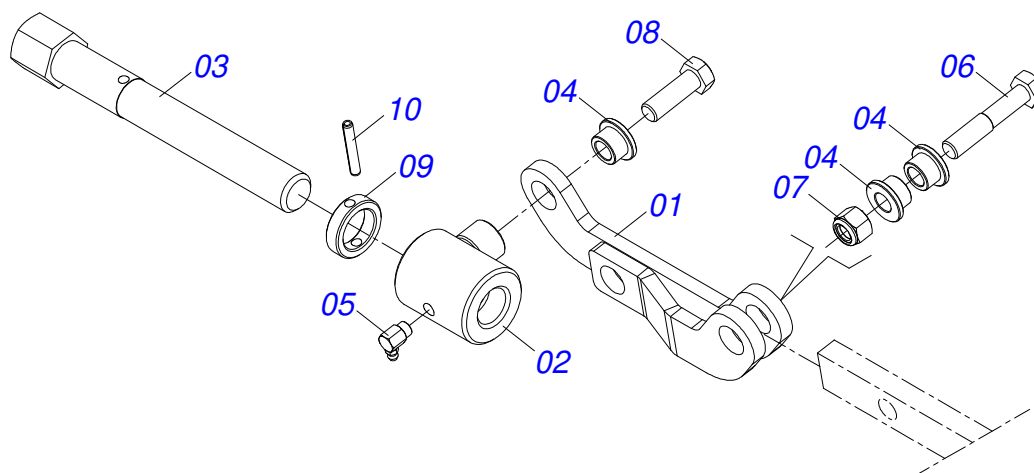


Item	Code	Description	See page	QT
01	0531050829	KNIFE REGULATOR ASSEMBLY FRAME 4600	22	01
02	0531050816	CARDAN ASSY WITH TIP	24	02
03	0503018629	PE 8 X 50 MM ADHESIVE TAPE		04
04	0501058860	POINT		02
04A	0503015372	TERMINAL STRIATED		01
05	0531062025	FRAME		01
06	0521055829	ASSY TOP PROTECTION	26	01
07	0531050784	SIDE TRANSMISSION	27	01
08	0531050832	HELICOIDAL SIMPLE P 4600 ASSY	40	01
09	0521055830	ASSY REST	43	02
10	0531058050	HELICAL CONDUCTOR SCRAPER ASSEMBLY 4600	44	01
11	0521055916	ASSEMBLY LEFT REAR COVER	45	01
12	0531050839	SIDE FINISH PROTECTION 75	49	01
13	0521055836	FIXER RIGHT ASSY BICO	50	01
14	0521055835	LEFT FIXER ASSY NOZZLE	51	01
15	0521063686	75 RH SIDE FOLLOWER		01
16	0521063687	75 LH SIDE FOLLOWER		01
17	0581015830	LEFT TRANSMISSION COVER HELICAL		01
18	0581015829	RIGHT COVER HELICAL TRANSMISSION		01
19	0501011643	3/8 X 1" BOLT		04
20	0501010984	FLAT WASHER		04
21	0503013357	3/8" SELF-ADJUSTING NUT		04
22	0511052139	PROTECTION COVER CARDAN	52	02
23	0531052861	COUPLING MF 5650/3640/32/34/38 ADV	53	01
24	0531052878	ASSY NOZZLE FIXER 800	54	05
25	0531053176	ASSEMBLY RIGHT REAR COVER	46	01



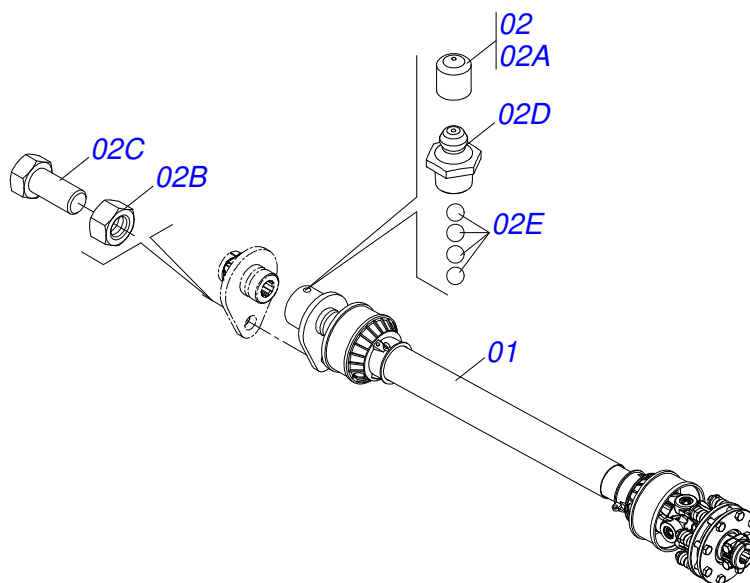
Item	Code	Description	See page	QT
01	0521055912	MACHETE REGULATOR ASSY	23	01
02	0591017261	BAR 25,40 X 12,70 X 4300		01
03	0521052667	ADJUSTMENT KEY MACHETE		01
03A	0521052455	ADJUSTMENT KEY		01
03B	0503011140	1/2" X 3-3/4" BOLT		01
03C	0503010019	1/2" SPRING WASHER		01
03D	0511017302	FLAT WASHER		01
03E	0503010060	1/2" NUT		01

MACHETE REGULATOR ASSY



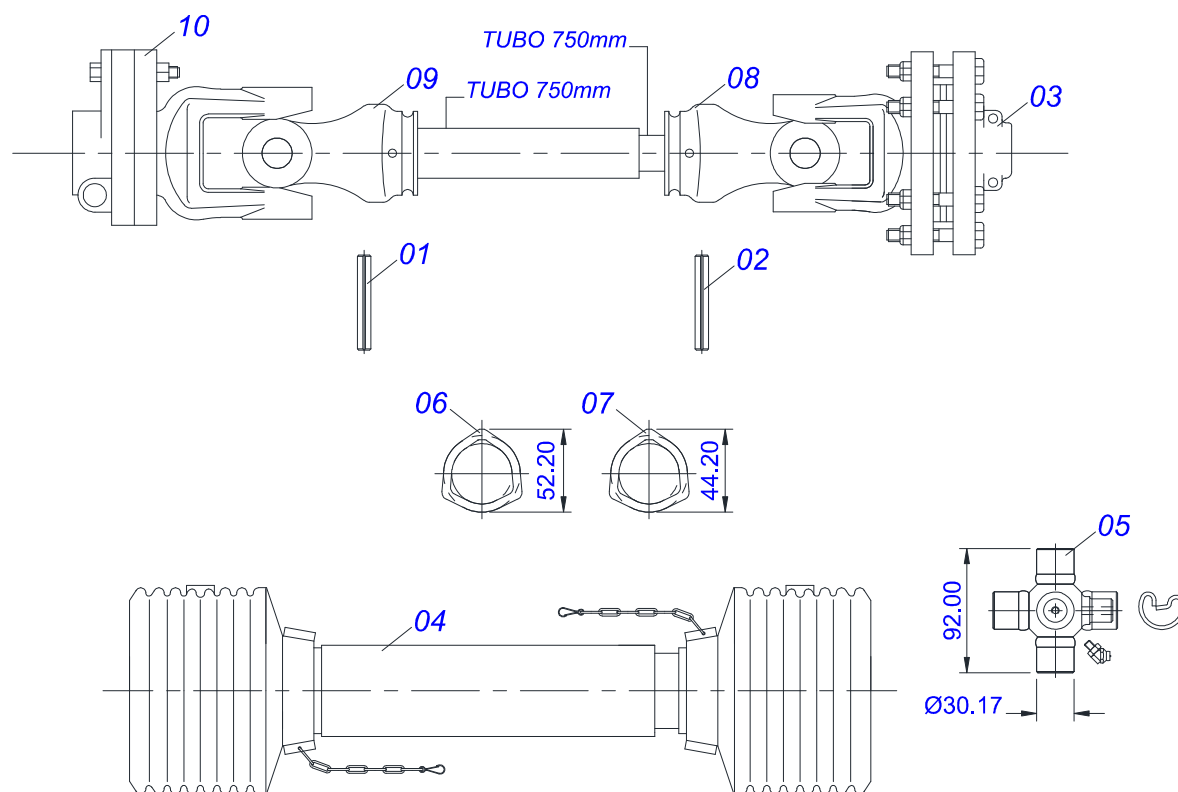
Item	Code	Description	See page	QT
01	0521068304	FIXER GUIDE BAR		01
02	0521068305	ROCKER BAR GUIDE		01
03	0581015815	STRETCH SPINDLE BAR		01
04	0561017155	SLEEVE		03
05	0503010004	1890 GREASE FITTING		01
06	0503011172	BOLT 1/2 UNC X 2.1/2 C S G.5 ZN		01
07	0503010589	1/2" UNC SELF ADJUSTING NUT		01
08	0503010920	1/2" X 1.1/2" BOLT		01
09	0581015816	RING LOCKS AXLE		01
10	0503010292	0.2" X 1.6" SPRING PIN		01

CARDAN ASSY WITH TIP

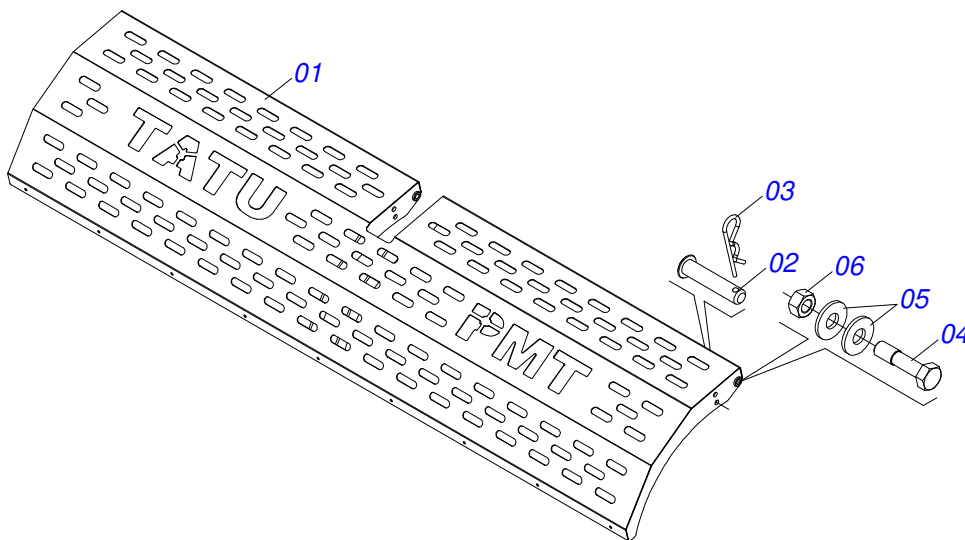


Item	Code	Description	See page	QT
01	0501059170	DRIVE SHAFT	25	01
02	0511047765	POINT KIT		01
02A	0503015373	COVER PROTECTION GREASE FITTING 5/16		01
02B	0503011841	M10 SELF ADJUSTING NUT		01
02C	0503015375	HEX SCREW M10 X 50		01
02D	0503015376	GREASE		01
02E	0503015377	BALL BEARING 1/4		25

DRIVE SHAFT

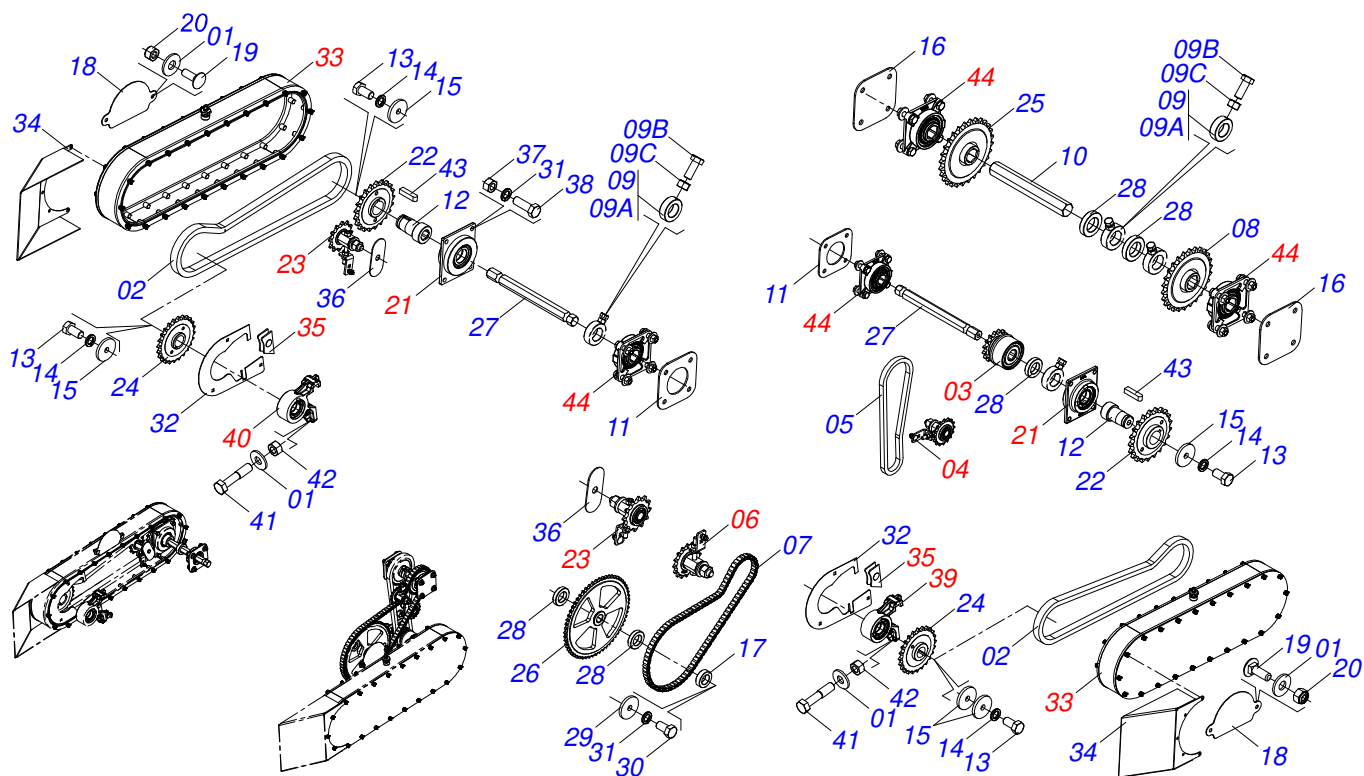


Item	Code	Description	See page	QT
01	0503015159	10 X 65 SPRING PIN		01
02	0503014073	SPRING PIN		01
03	0503015366	CLUTCH DISC ASSY		01
04	0503015371	PROTECTION ASSY		01
05	0503014059	CROSSPIECE		02
06	0503015367	FEMALE TRIANGULAR TUBE		01
07	0503016166	MALE TRIANGLE TUBE S5000/2500 CI59		11
08	0503015368	TERMINAL W/HOLE TRIAN MALE		01
09	0503015369	FEMALE TRIANGULAR TUBE		01
10	0503015370	TORQUE LIMITER		01



Item	Code	Description	See page	QT
01	0521068306	DEFLECTOR		01
02	0521010549	COUPLING SHAFT		02
03	0503030168	HAIR PIN		02
04	0503011172	BOLT 1/2 UNC X 2.1/2 C S G.5 ZN		02
05	0511017302	FLAT WASHER		04
06	0503011336	1/2" HEX SELF ADJUSTING NUT		02

SIDE TRANSMISSION



Item	Code	Description	See page	QT
01	0511017302	FLAT WASHER		08
02	0503019180	CURRENT 80.1 85 ELOS + EM		02
03	0521052071	TORQUE LIMITER	28	01
04	0521040683	CHAIN TENSIONER	29	01
05	0503019179	CURRENT 60.1 69 ELOS + EM		01
06	0531050695	HELICAL CONDUCTOR CHAIN STRETCHER	30	01
07	0503019178	CURRENT 60.1 92 ELOS + RED		01
08	0521064128	GEAR 26Z (P.3 / 4)		01
09	0521052072	SHAFT LOCK		04
09A	0561017251	SPRING GUIDE BUSHING LOCK		01
09B	0501010161	1/2" X 1.1/4" BOLT		01
09C	0503010060	1/2" NUT		01
10	0581015823	HEX SHAFT 31.75 X 250		01
11	0561011114	BEARING SUPPORT		02
12	0521061443	CONICAL GEAR AXLE		02
13	0503011167	M16 X 2 X 30 BOLT		04
14	0503010027	5/8" SPRING WASHER		04
15	0561013946	FLAT WASHER		05
16	0561014068	BEARING COVER		02
17	0591017264	SUPPORT GLOVE		01
18	0581015817	COVER		02
19	0503015327	M10 X 1,5 X 30 BOLT		04
20	0503011841	M10 SELF ADJUSTING NUT		04
21	0521052073	BEARING FIXED MOUNTED	32	02
22	0521061098	21Z GEAR		02
23	0521040684	CHAIN TENSIONER	33	02
24	0521060937	24Z GEAR		02
25	0521064127	GEAR 28Z (P.3/4)		01
26	0521063365	GEAR 59Z PASSO 3/4		01
27	0561015817	31.75 X 395 HEX AXLE		02
28	0561012760	CONDUTOR SUPPORT SLEEVE		05



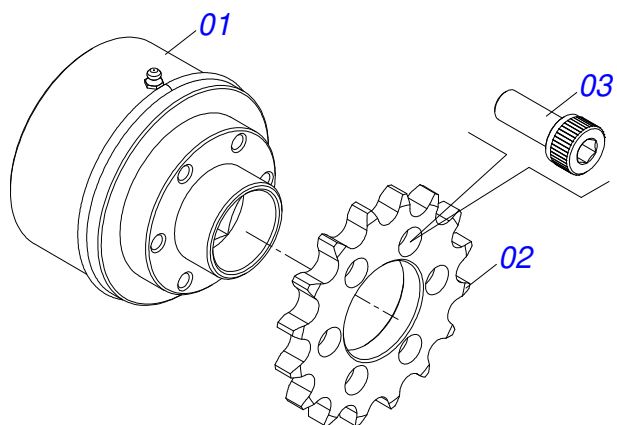


SIDE TRANSMISSION

0531050784

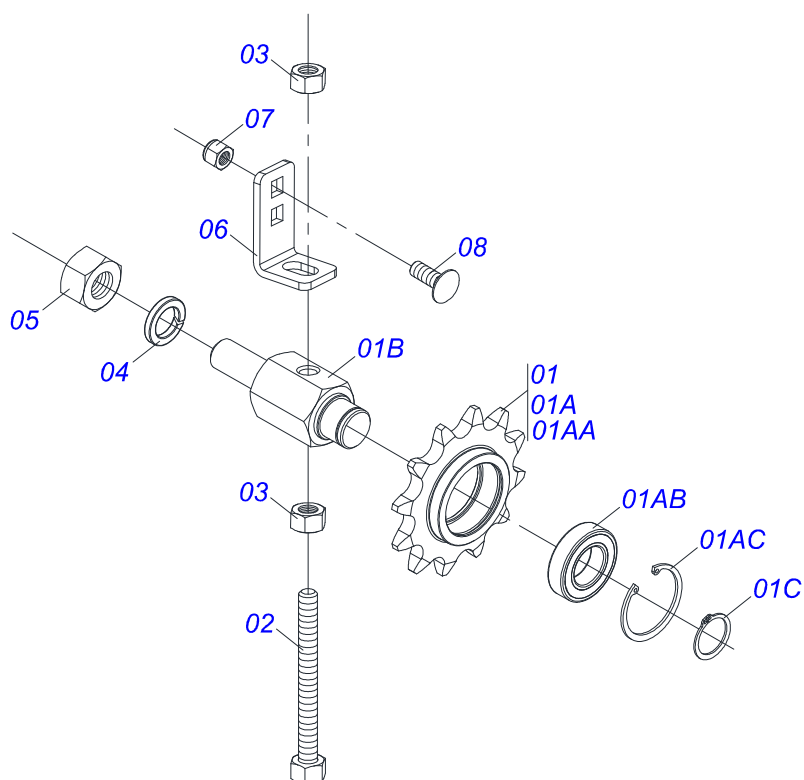
Item	Code	Description	See page	QT
29	0561010960	FLAT WASHER		01
30	0503010428	M12 X 1,75 X30 BOLT		01
31	0503010019	1/2" SPRING WASHER		09
32	0581015814	TRANSMISSION PROTECTION		02
33	0521055833	TRANSMISSION SIDE PROTECTION	34	02
34	0591015053	DEVIATOR		02
35	0521052456	ASSY CLOSING BEARING	36	02
36	0581016531	SIDE STRETCHER COVER		02
37	0503010060	1/2" NUT		08
38	0501010063	1/2" X 1-1/2" BOLT		08
39	0521052076	LEFT BEARING	37	01
40	0521052075	RIGHT BEARING	38	01
41	0503011172	BOLT 1/2 UNC X 2.1/2 C S G.5 ZN		04
42	0503011336	1/2" HEX SELF ADJUSTING NUT		04
43	0561014481	9,53 X 41 KEYWAY SQUARE		02
44	0511050920	BEARING	39	04

TORQUE LIMITER



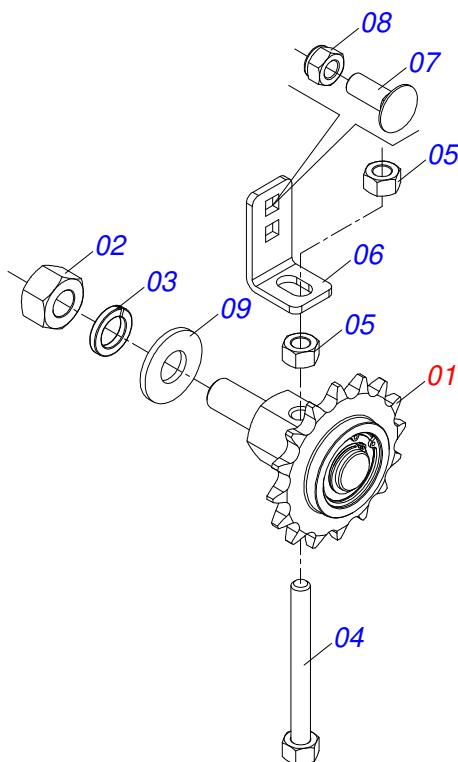
Item	Code	Description	See page	QT
01	0503015139	TORQUE LIMITER		01
02	0561011856	WHEEL TOOTH 16Z PASSO 3/4		01
03	0503015162	M 8 X 1,25 X 20 BOLT		06

CHAIN TENSIONER

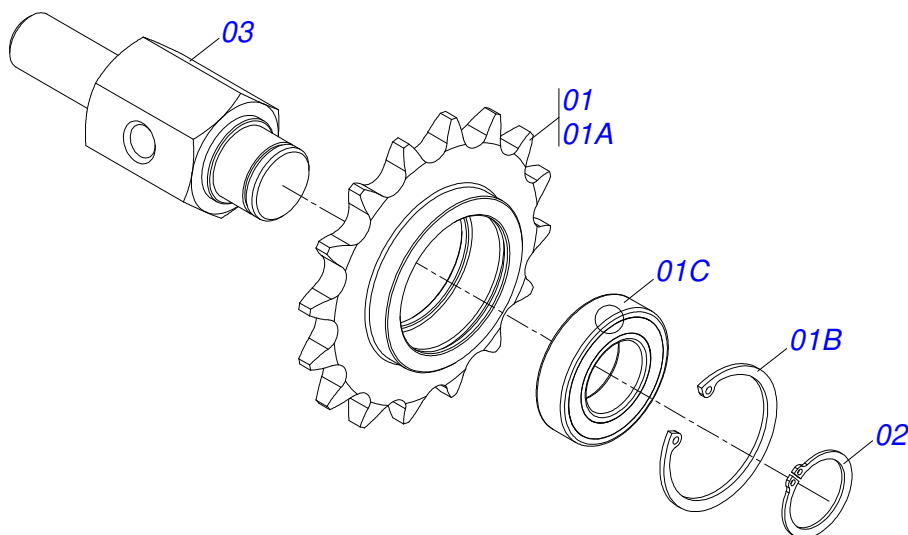


Item	Code	Description	See page	QT
01	0511051679	CHAIN TENSIONER		01
01A	0501110688	GEAR 16Z		01
01AA	0502012706	16Z GEAR		01
01AB	0503011797	BEARING 6005 DDU		01
01AC	0503011105	SEAL RING		01
01B	0571010224	AXLE BODY TENSIONER		01
01C	0503010406	501025 CLAMPING RING (FOR AXLE)		01
02	0521060237	CHAIN TENSIONER JACK		01
03	0503010060	1/2" NUT		02
04	0503010023	3/4" SPRING WASHER		01
05	0503010014	3/4" NUT		01
06	0561014066	CHAIN TENSIONER SUPPORT		01
07	0503013357	3/8" SELF-ADJUSTING NUT		01
08	0501011643	3/8 X 1" BOLT		01

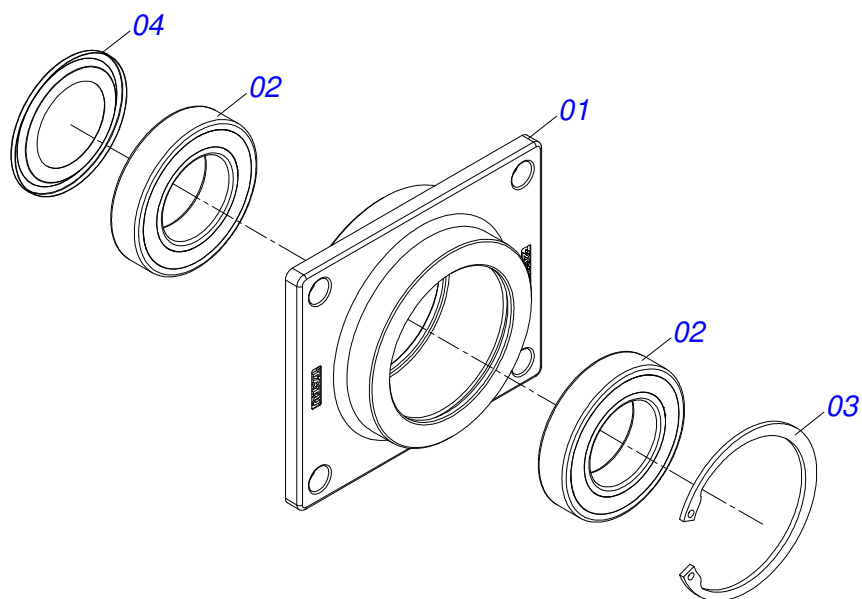
HELICAL CONDUCTOR CHAIN STRETCHER



Item	Code	Description	See page	QT
01	0501111067	HELICAL CONDUCTOR CHAIN STRETCHER	31	01
02	0503010014	3/4" NUT		01
03	0503010023	3/4" SPRING WASHER		01
04	0521060237	CHAIN TENSIONER JACK		01
05	0503010060	1/2" NUT		02
06	0561014066	CHAIN TENSIONER SUPPORT		01
07	0501011643	3/8 X 1" BOLT		01
08	0503013357	3/8" SELF-ADJUSTING NUT		01
09	0501010322	FLAT WASHER		01

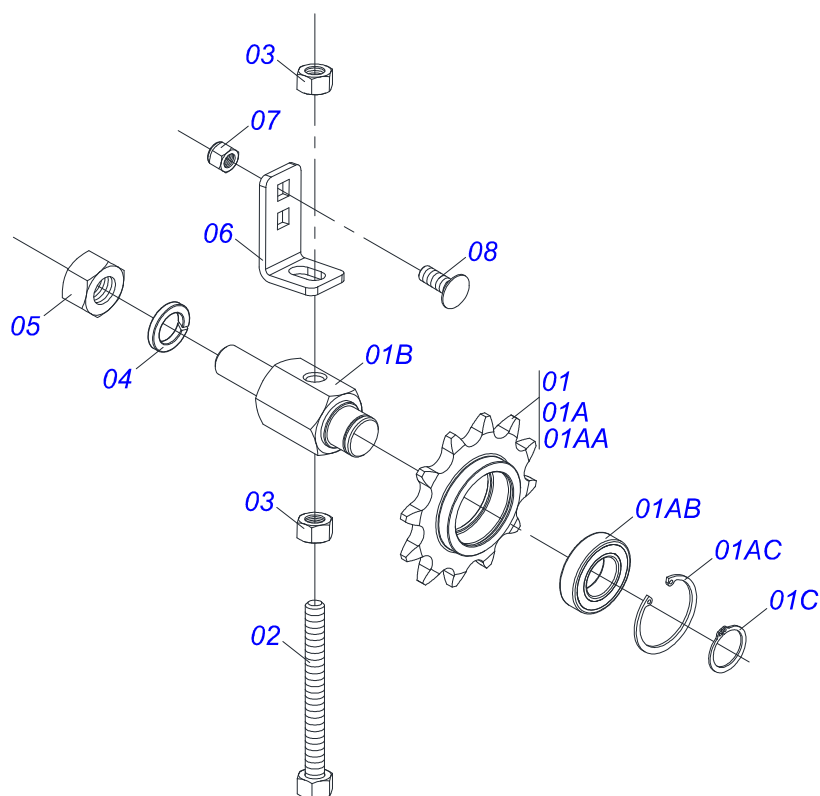


Item	Code	Description	See page	QT
01	0501110688	GEAR 16Z		01
01A	0502012706	16Z GEAR		01
01B	0503011105	SEAL RING		01
01C	0503011797	BEARING 6005 DDU		01
02	0503010406	501025 CLAMPING RING (FOR AXLE)		01
03	0591017265	STRETCHER SHAFT		01

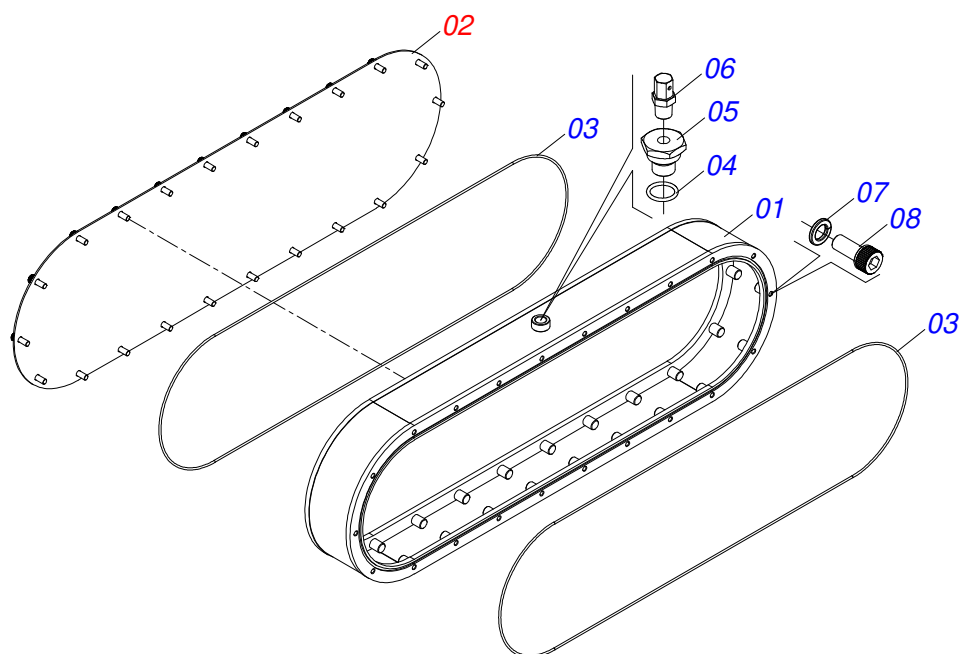


Item	Code	Description	See page	QT
01	0502012625	BEARING SIDE		01
02	0503015551	BEARING LM		02
03	0503011190	SEAL RING		01
04	0503019292	RING		01

CHAIN TENSIONER



Item	Code	Description	See page	QT
01	0511051680	CHAIN TENSIONER		01
01A	0501110689	12Z GEAR		01
01AA	0502012705	GEAR 12Z STEP 25.4		01
01AB	0503011797	BEARING 6005 DDU		01
01AC	0503011105	SEAL RING		01
01B	0571010224	AXLE BODY TENSIONER		01
01C	0503010406	501025 CLAMPING RING (FOR AXLE)		01
02	0521060237	CHAIN TENSIONER JACK		01
03	0503010060	1/2" NUT		02
04	0503010023	3/4" SPRING WASHER		01
05	0503010014	3/4" NUT		01
06	0561014066	CHAIN TENSIONER SUPPORT		01
07	0503013357	3/8" SELF-ADJUSTING NUT		01
08	0501011643	3/8 X 1"BOLT		01

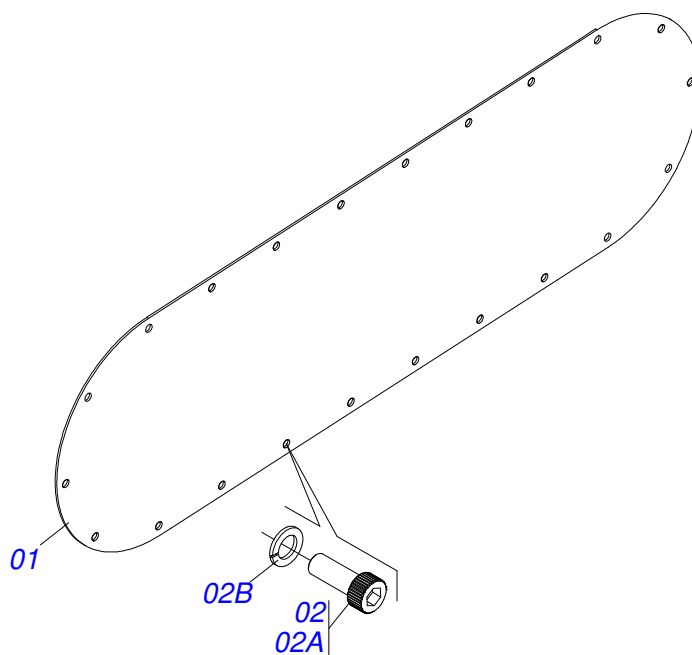


Item	Code	Description	See page	QT
01	0521068569	SIDE TRANSMISSION BOX		01
02	0521052077	SCREW COVER	35	01
03	0503019231	CORD		02
04	0503010045	O'RING		01
05	0581015282	BREATHER FIXER		01
06	0511050190	BREATHE 1/4 BSPT		01
07	0503015075	M10 SPRING WASHER		22
08	0503010728	M10 X 1.2" BOLT		22



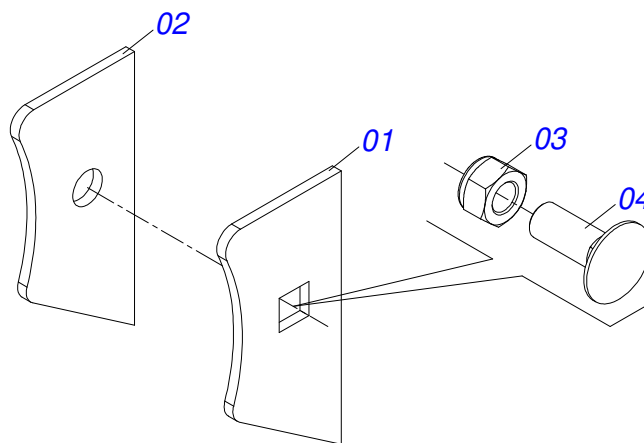
SCREW COVER

0521052077



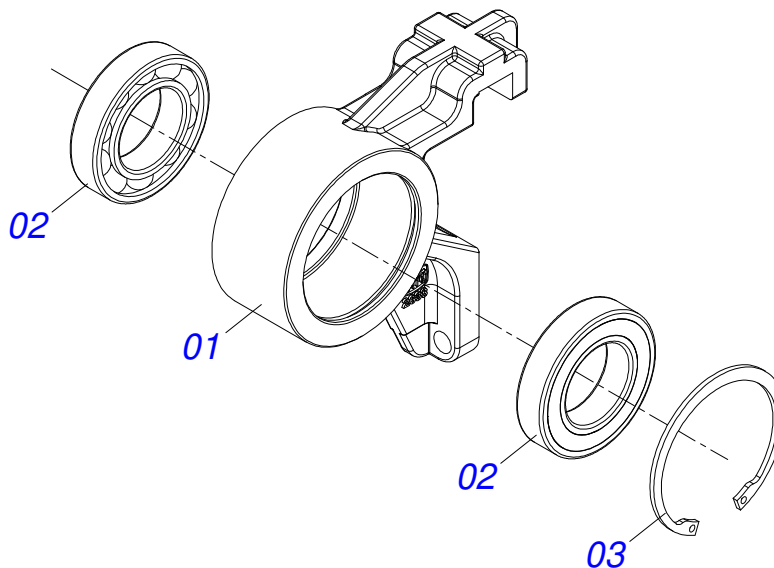
Item	Code	Description	See page	QT
01	0581015820	COVER CURRENT CASH		01
02	0521052078	SCREW WITH WASHER COVER		22
02A	0503010728	M10 X 1.2" BOLT		22
02B	0503015075	M10 SPRING WASHER		22

ASSY CLOSING BEARING



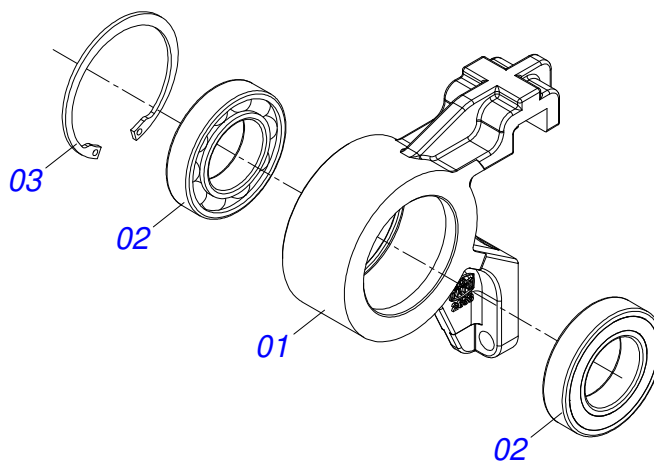
Item	Code	Description	See page	QT
01	0581016533	EXTERNAL BEARING CLOSURE		01
02	0581016532	BEARING INTERNAL CLOSURE		01
03	0503013357	3/8" SELF-ADJUSTING NUT		01
04	0501010942	3/8" X 1-1/4" BOLT		01

LEFT BEARING



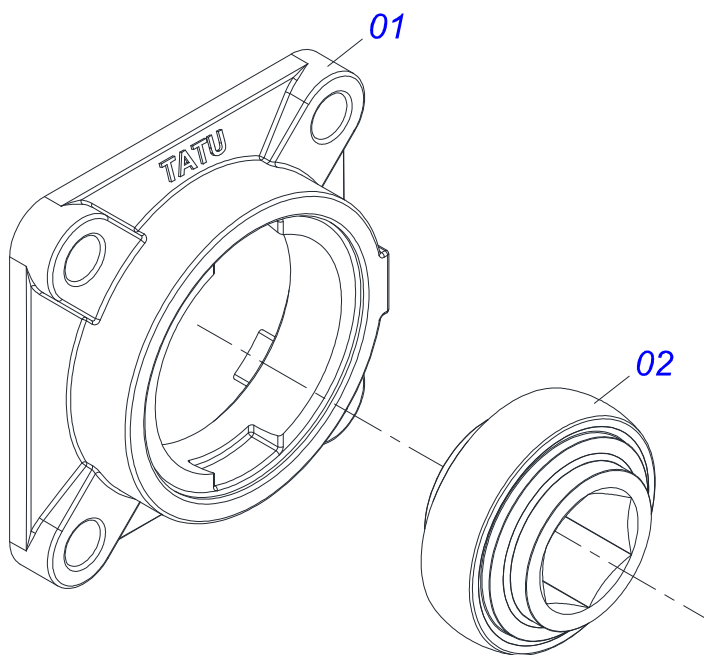
Item	Code	Description	See page	QT
01	0502012638	BEARING LEFT SIDE		01
02	0503010914	6210-RS ROLLER BEARING		02
03	0503011190	SEAL RING		01

RIGHT BEARING

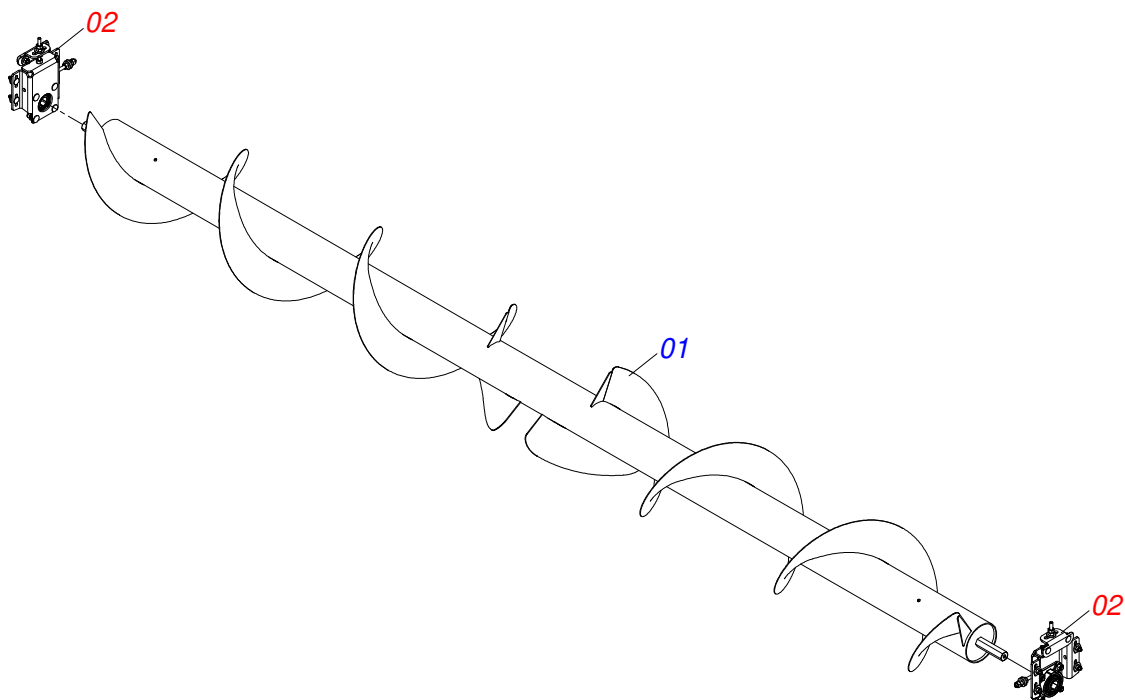


Item	Code	Description	See page	QT
01	0502012662	BEARING LEFT SIDE		01
02	0503010914	6210-RS ROLLER BEARING		02
03	0503011190	SEAL RING		01

BEARING

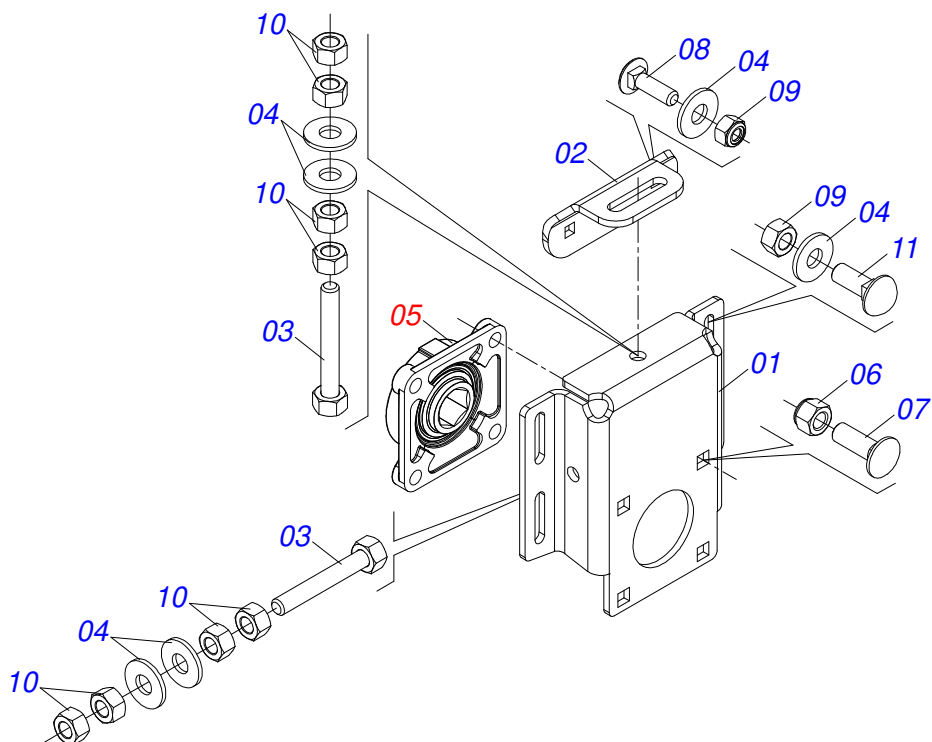


Item	Code	Description	See page	QT
001	0502012590	BEARING		01
002	0503015144	BEARING		01

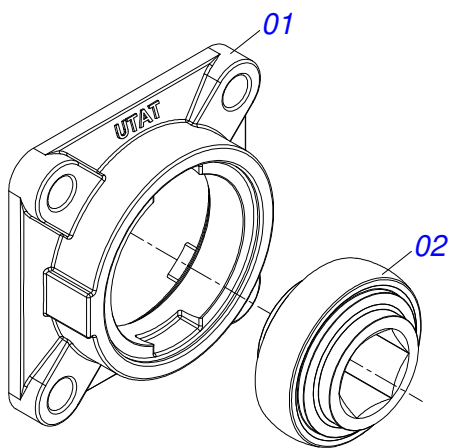


Item	Code	Description	See page	QT
01	0503035423	HELICAL CONDUCTOR		01
02	0521055834	HELICAL CONDUCTOR SIDE STRETCHER	41	02

HELICAL CONDUCTOR SIDE STRETCHER



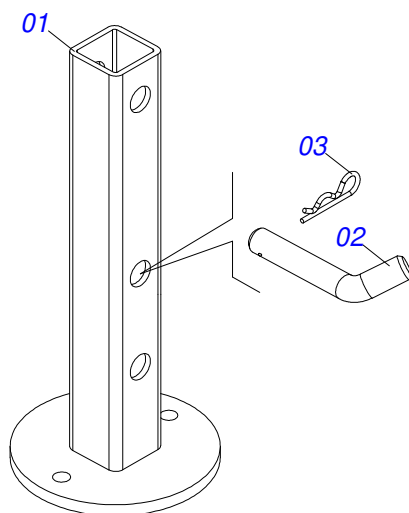
Item	Code	Description	See page	QT
01	0581015813	STRETCH SUPPORT BODY		01
02	0581015821	BEARING REGULATOR CONDUCTOR HELICOIDAL		01
03	0521060237	CHAIN TENSIONER JACK		02
04	0511017302	FLAT WASHER		06
05	0521052074	BEARING OSCILLATING	42	01
06	0503010589	1/2" UNC SELF ADJUSTING NUT		04
07	0503014378	1/2" X 1-1/2" BOLT		04
08	0503015328	M10 X 1,5 X 35 BOLT		02
09	0503011841	M10 SELF ADJUSTING NUT		02
10	0503010060	1/2" NUT		08
11	0521052083	M10 SCREW MOUNTED		04



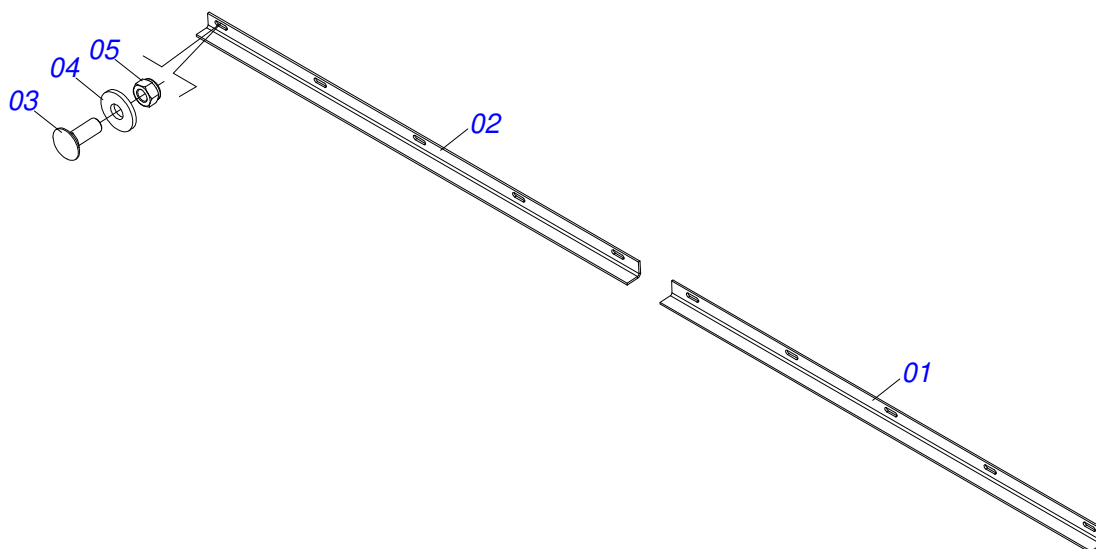
Item	Code	Description	See page	QT
01	0502012590	BEARING		01
02	0503015144	BEARING		01



ASSY REST

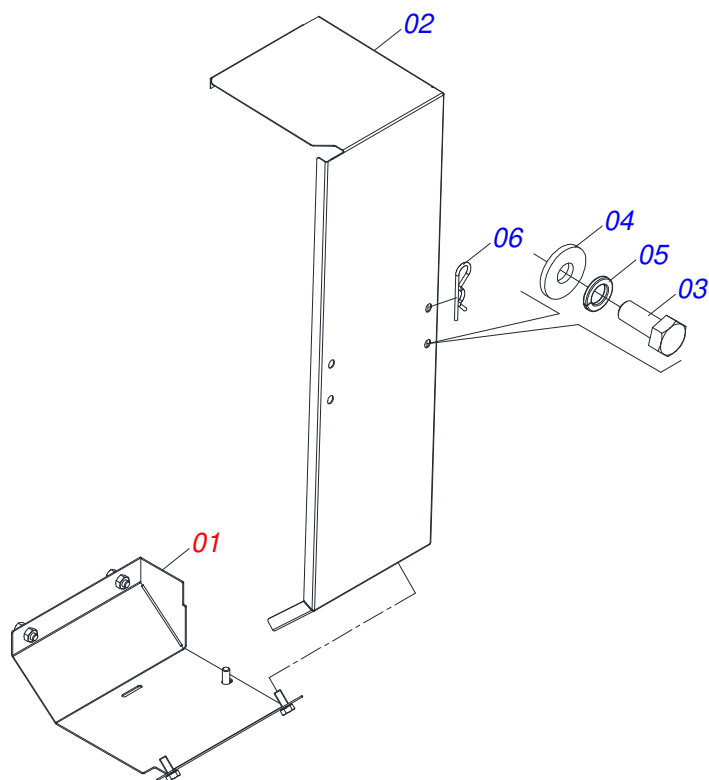


Item	Code	Description	See page	QT
01	0521061014	PLOUGH SUPPORT		01
02	0501011075	PIN		01
03	0503030285	HAIR PIN		01

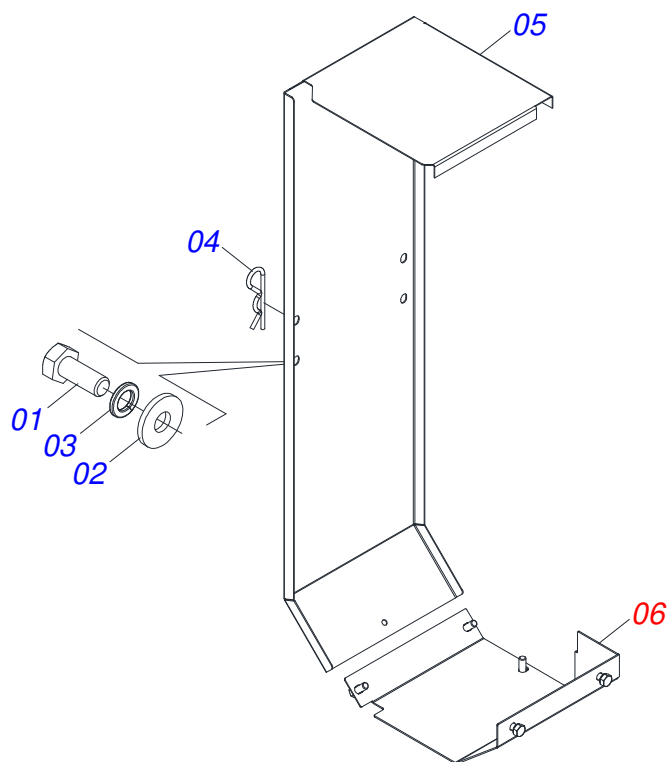


Item	Code	Description	See page	QT
01	0591017263	LEFT SCRAPER		01
02	0591017262	RIGHT SCRAPER		01
03	0501011643	3/8 X 1" BOLT		08
04	0501010984	FLAT WASHER		08
05	0503013357	3/8" SELF-ADJUSTING NUT		08

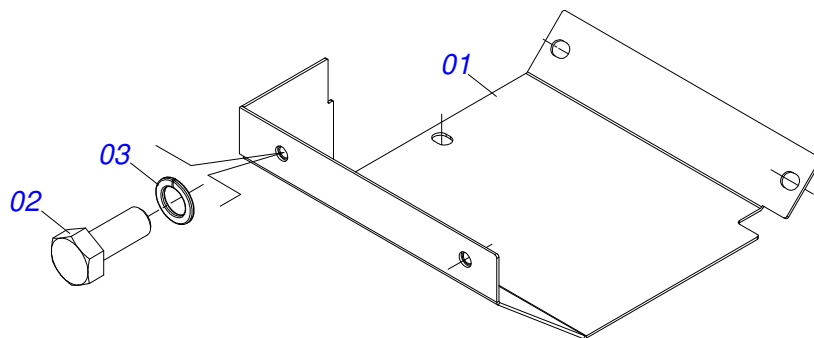
ASSEMBLY LEFT REAR COVER



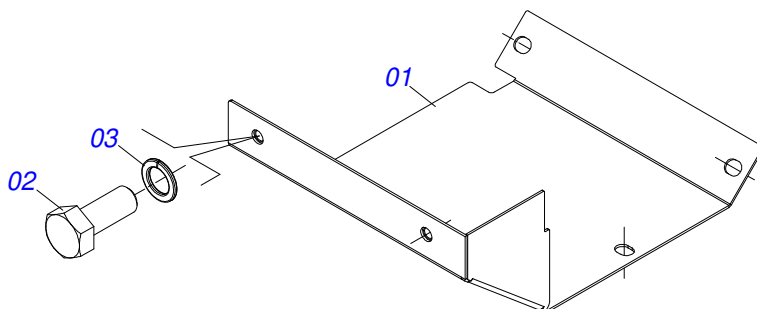
Item	Code	Description	See page	QT
01	0521055831	ASSEMBLY LOWER LEFT PROTECTION COVER	47	01
02	0581015824	LEFT REAR COVER		01
03	0503010172	M10 X 1,5 X 25 BOLT		02
04	0501010984	FLAT WASHER		02
05	0503015075	M10 SPRING WASHER		02
06	0503030168	HAIR PIN		02



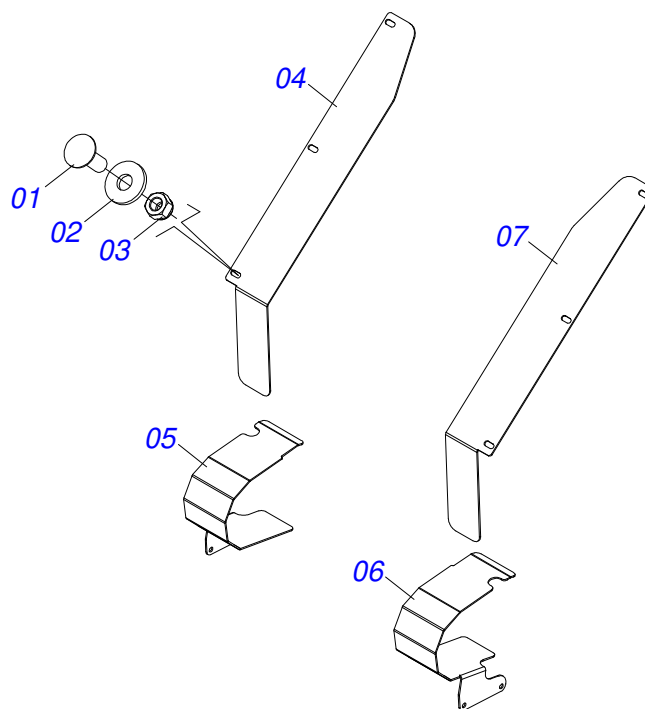
Item	Code	Description	See page	QT
01	0503010172	M10 X 1,5 X 25 BOLT		02
02	0501010984	FLAT WASHER		02
03	0503015075	M10 SPRING WASHER		02
04	0503030168	HAIR PIN		02
05	0581015825	RIGHT REAR COVER		01
06	0521055832	ASSEMBLY LOWER RIGHT PROTECTION COVER	48	01



Item	Code	Description	See page	QT
01	0521069858	LEFT PROTECTION COVER		01
02	0503010172	M10 X 1,5 X 25 BOLT		05
03	0503013542	M10 SPRING WASHER		05

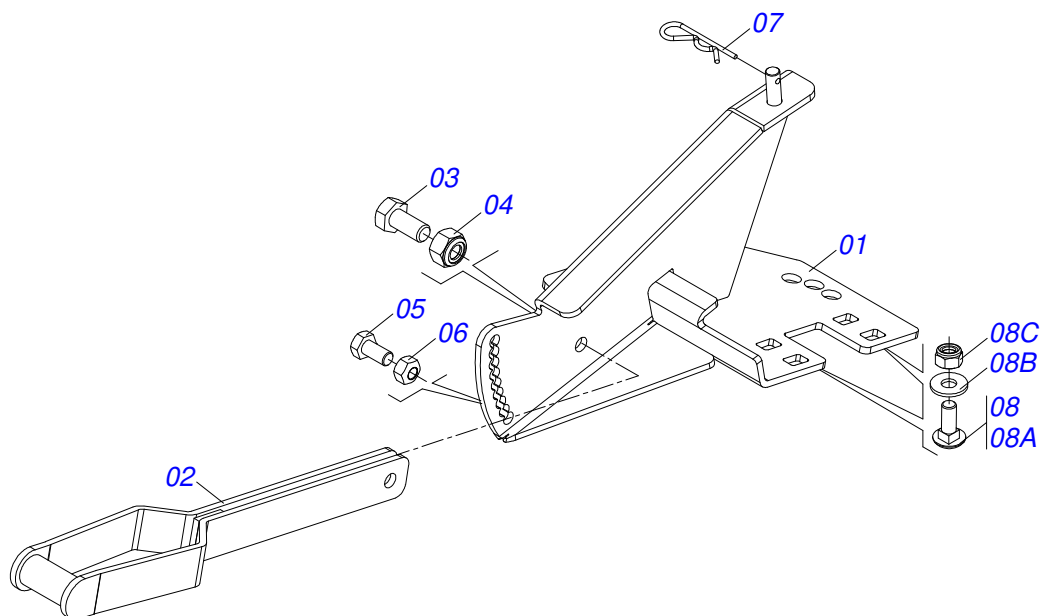


Item	Code	Description	See page	QT
01	0521069859	RIGHT PROTECTION COVER		01
02	0503010172	M10 X 1,5 X 25 BOLT		05
03	0503013542	M10 SPRING WASHER		05



Item	Code	Description	See page	QT
01	0501011643	3/8 X 1" BOLT		06
02	0501010984	FLAT WASHER		06
03	0503013357	3/8" SELF-ADJUSTING NUT		06
04	0571013034	FINISHING THE RIGHT SIDE FAIRING 75		01
05	0591017397	RIGHT SIDE COUPLING PROTECTION 75		01
06	0591017398	LEFT SIDE COUPLING PROTECTION		01
07	0571013035	FINISHING THE LEFT SIDE FAIRING 75		01

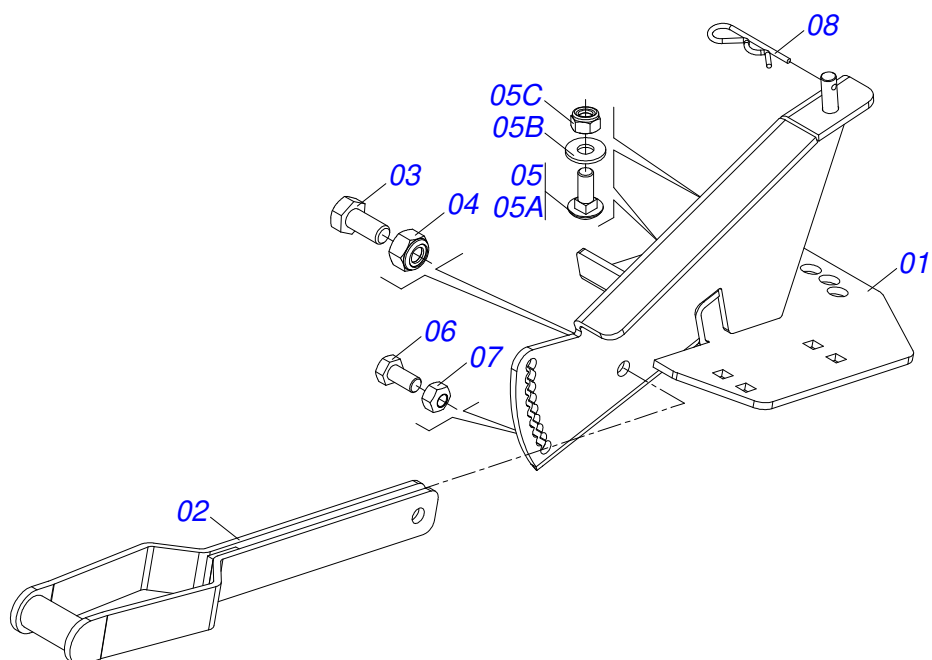
FIXER RIGHT ASSY BICO



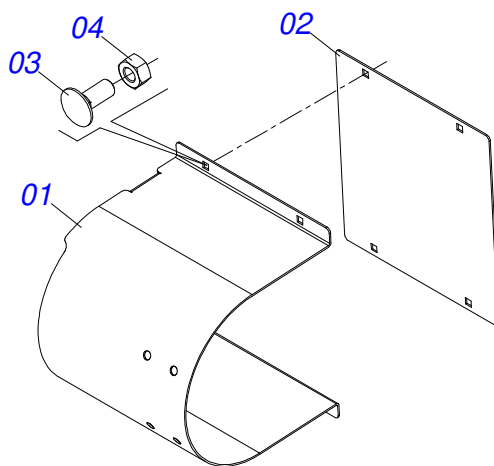
Item	Code	Description	See page	QT
01	0521060233	RIGHT POINT FIXER		01
02	0521060198	POINT SUPPORT		01
03	0503015112	M10 X 1,5 X 30 BOLT		01
04	0503011841	M10 SELF ADJUSTING NUT		01
05	0503010295	SCREW 5/16 UNC X 5/8 CS G.2 ZN		01
06	0503013816	5/16" LOCKNUT		01
07	0503030168	HAIR PIN		01
08	0521052081	SCREW MOUNTED		02
08A	0501011643	3/8 X 1"BOLT		02
08B	0501013518	FLAT WASHER		02
08C	0503013357	3/8" SELF-ADJUSTING NUT		02



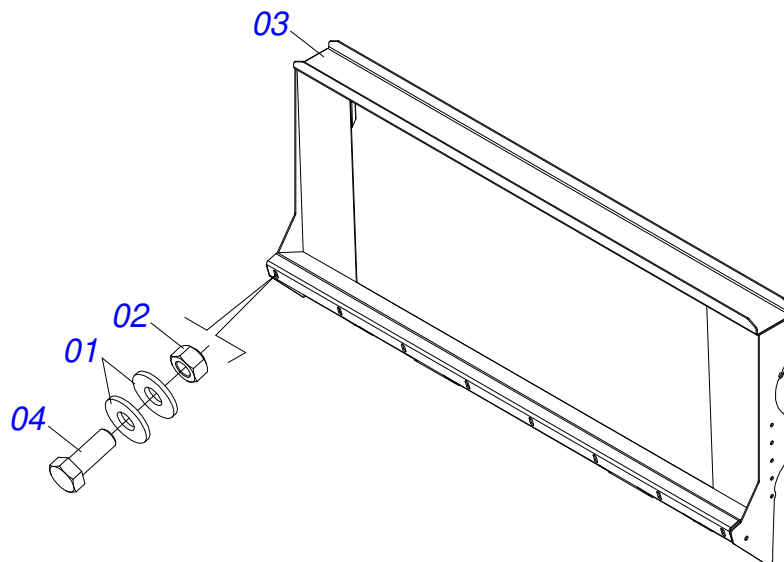
LEFT FIXER ASSY NOZZLE



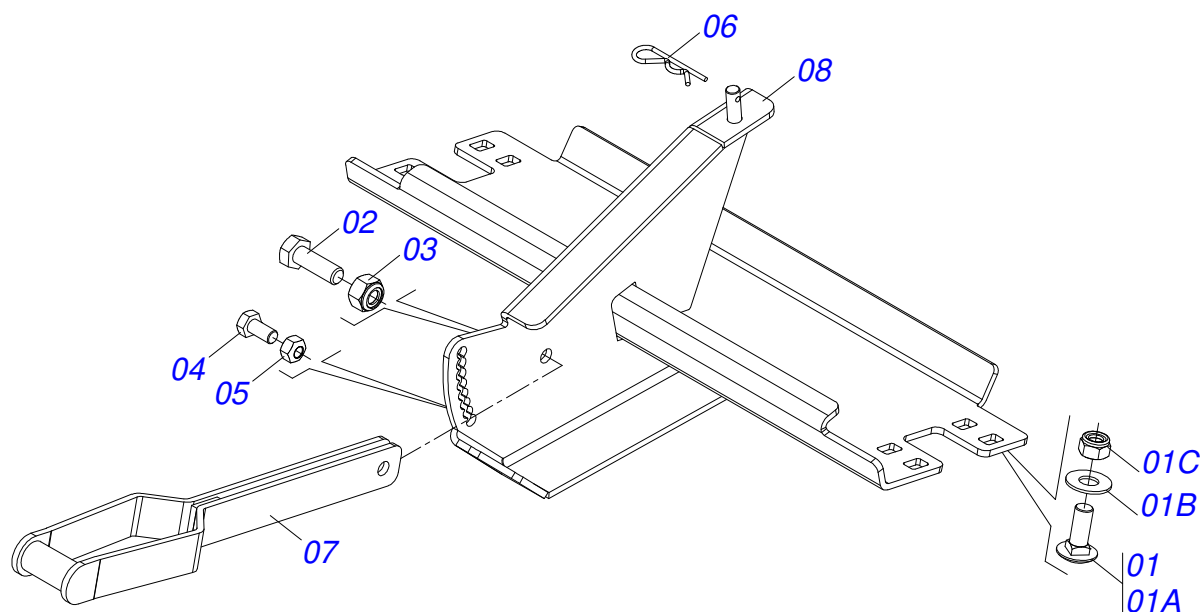
Item	Code	Description	See page	QT
01	0521060234	LH POINT FIXER		01
02	0521060198	POINT SUPPORT		01
03	0503015112	M10 X 1,5 X 30 BOLT		01
04	0503011841	M10 SELF ADJUSTING NUT		01
05	0521052081	SCREW MOUNTED		02
05A	0501011643	3/8 X 1" BOLT		02
05B	0501013518	FLAT WASHER		02
05C	0503013357	3/8" SELF-ADJUSTING NUT		02
06	0503010295	SCREW 5/16 UNC X 5/8 CS G.2 ZN		01
07	0503013816	5/16" LOCKNUT		01
08	0503030168	HAIR PIN		01



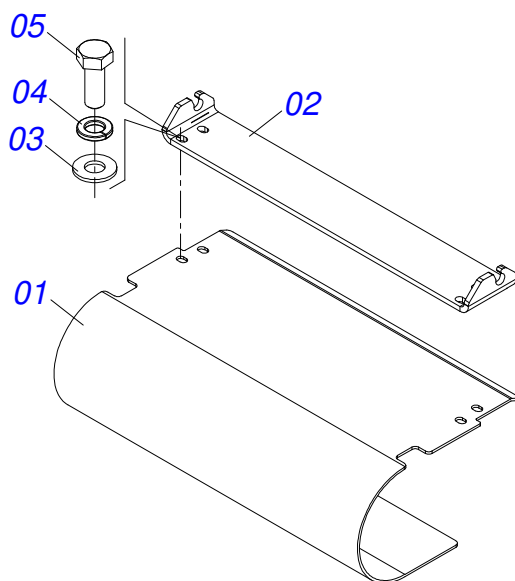
Item	Code	Description	See page	QT
01	0561014871	PROTECTION CARDAN PMT S-06009		01
02	0561014869	PROTECTIVE COVER		01
03	0503011952	5/16" X 3/4" BOLT		04
04	0503013816	5/16" LOCKNUT		04



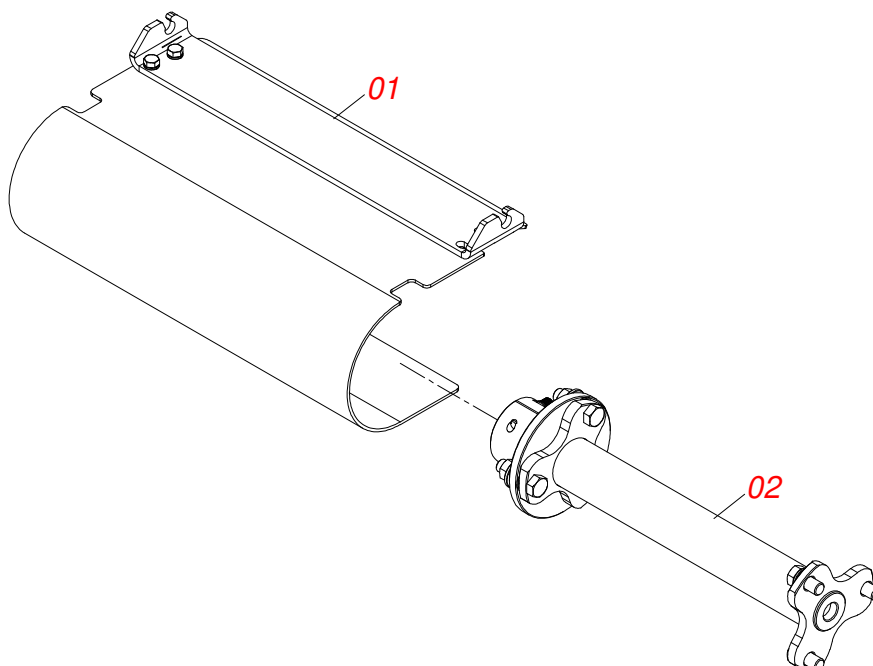
Item	Code	Description	See page	QT
01	0511017302	FLAT WASHER		16
02	0503011336	1/2" HEX SELF ADJUSTING NUT		08
03	0521060269	COUPLING PMT MF 32/34/38/3640/5650 ADV		01
04	0501010161	1/2" X 1.1/4" BOLT		08



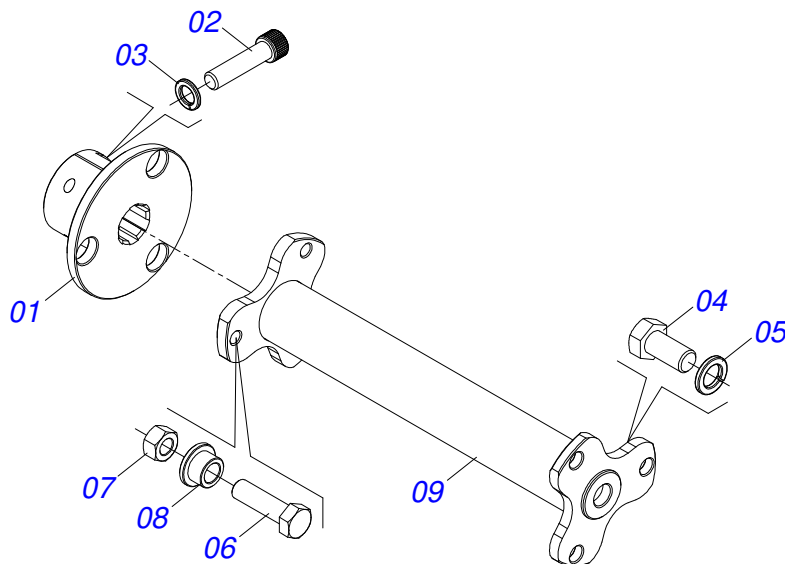
Item	Code	Description	See page	QT
01	0521052081	SCREW MOUNTED		04
01A	0501011643	3/8 X 1" BOLT		01
01B	0501013518	FLAT WASHER		01
01C	0503013357	3/8" SELF-ADJUSTING NUT		01
02	0503015112	M10 X 1,5 X 30 BOLT		01
03	0503011841	M10 SELF ADJUSTING NUT		01
04	0503010295	SCREW 5/16 UNC X 5/8 CS G.2 ZN		01
05	0503013816	5/16" LOCKNUT		01
06	0503030168	HAIR PIN		01
07	0521060198	POINT SUPPORT		01
08	0521063850	750/800 POINT FIXER		01



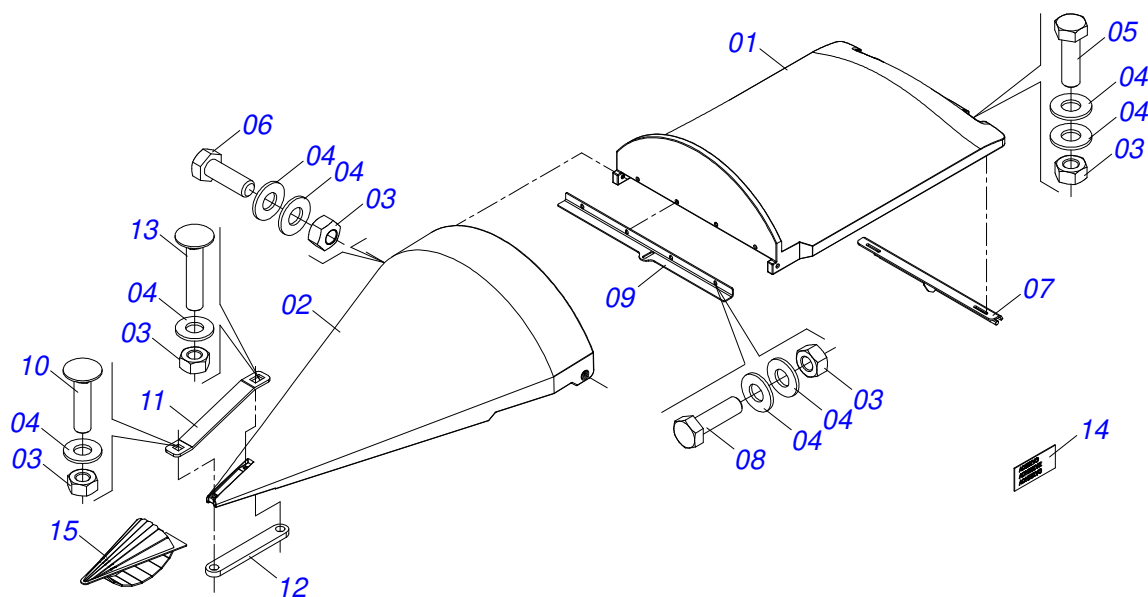
Item	Code	Description	See page	QT
01	0501210631	PROLONGER 800 PROTECTION		01
02	0501210630	FAIRING ARTICULATOR SUPPORT		01
03	0501010694	8.5 X 18 X 1.5 FLAT WASHER		04
04	0503014371	M8 SPRING WASHER		04
05	0503015114	BOLT		04



Item	Code	Description	See page	QT
01	0531052875	PROTECTION ASSY WITHOUT EXTENSIONER 800	55	01
02	0531052877	EXTENDER 800 ASSY	57	01

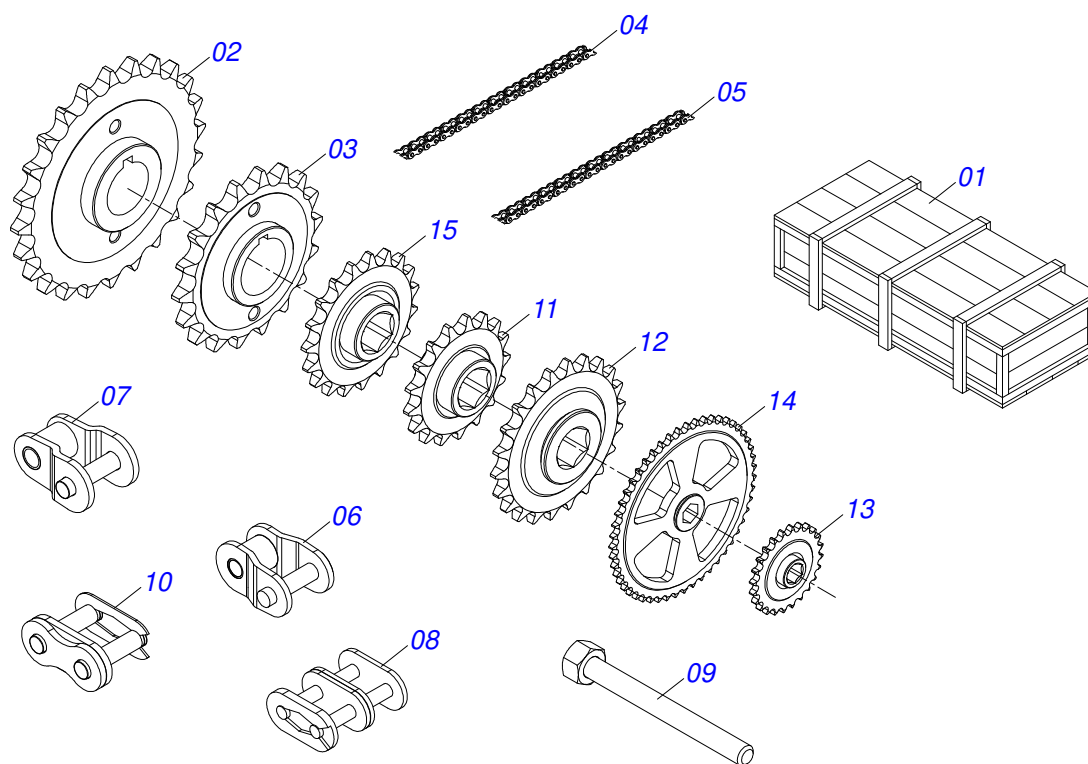


Item	Code	Description	See page	QT
01	0502040837	COUPLING FLANGE		01
02	0503015348	3/8" BOLT		02
03	0503010025	3/8" SPRING WASHER		02
04	0503012556	1/2" X 1" BOLT		03
05	0503010019	1/2" SPRING WASHER		03
06	0503011238	1/2" X 1-3/4" BOLT		03
07	0503011336	1/2" HEX SELF ADJUSTING NUT		03
08	0561017155	SLEEVE		03
09	0521061912	PROLONG 800		01



Item	Code	Description	See page	QT
01	0503033105	LEFT ROW REAR FAIRING		01
02	0503033101	ROW 75-80 FRONT FAIRING		01
03	0503013816	5/16" LOCKNUT		12
04	0501010694	8.5 X 18 X 1.5 FLAT WASHER		22
05	0503010421	5/16" X 1-1/2" BOLT		04
06	0503010882	BOLT		02
07	0531062941	REAR FAIRING ARTICULATOR		01
08	0503010397	5/16" X 1-3/4" BOLT		04
09	0561012142	FRONT FAIRING SUPPORT		01
10	0501011753	5/16" X 1-3/4" BOLT		01
11	0581015783	TOP FIXER SLIDER NOZZLE		01
12	0581015786	FIXED BASE		01
13	0501011752	5/16" X 3" BOLT		01
14	0503033138	LABEL ADHESIVE REFLECTIVE BICO		01
15	0531062946	FAIRING NOZZLE		01





Item	Code	Description	See page	QT
01	0501100061	WOODEN BOX		01
02	0521060937	24Z GEAR		02
03	0521061099	GEAR		02
04	0503017050	CURRENT 60.1 8 ELOS		02
05	0503017051	CURRENT 80.1 8 ELOS		02
06	0503015042	CURRENT REDUCTION WING 60-1		02
07	0503014084	REDUCER		02
08	0503015041	MEND WING CURRENT 60-1 60-1		02
09	0521060237	CHAIN TENSIONER JACK		02
10	0503014083	AMENDMENT WITH LOCK		02
11	0521064130	GEAR 19Z (P.3/4")		01
12	0521064129	GEAR 22Z (P.3/4")		01
13	0521064131	17Z GEAR (P.3 / 4 ")		01
14	0521060223	51Z GEAR		01
15	0521068463	GEAR 24Z (P.3/4)		01





**MARCHESAN**

**Technical Publications | Elaboration and Revision**

ALESSANDRA PATRICIA KAWAHARA CARRILI

[www.marchesan.com.br](http://www.marchesan.com.br)

