

**HINGE TYPE OFFSET DISK HARROW**

**GNFM 36/44/52/56D - PA - AXIS 1.1/4"**

**Code:** 0501093127

**Series:** S-1101

**Revision:** 00

**Date Revision:** JUNHO/2022

# PARTS CATALOGUE



**MARCHESAN**



# PRODUCTS

Code	Description
0102330404	GNFM 36 X 22 X 3,50 DR DMO PA E 1.1/4 S-1101
0102330405	GNFM 44 X 22 X 3,50 MT DMO PA E 1.1/4 S-1101
0102330406	GNFM 44 X 22 X 4,50 DR DMO PA E 1.1/4 S-1101
0102330408	GNFM 52 X 22 X 4,5 DR DMO PA E 1.1/4 S-1101
0102330410	GNFM 56 X 22 X 3,50 DR DMO PA E 1.1/4 S-1101
0102330409	GNFM 56 X 22 X 4,50 DR DMO PA E 1.1/4 S-1101

## ATTENTION: IMPORTANT

Marchesan S.A. reserves the right to improve and/or modify the technical features of its products, without obligation to do the same with those products already sold and without prior knowledge of the dealer or the consumer. The photos are only illustrative.

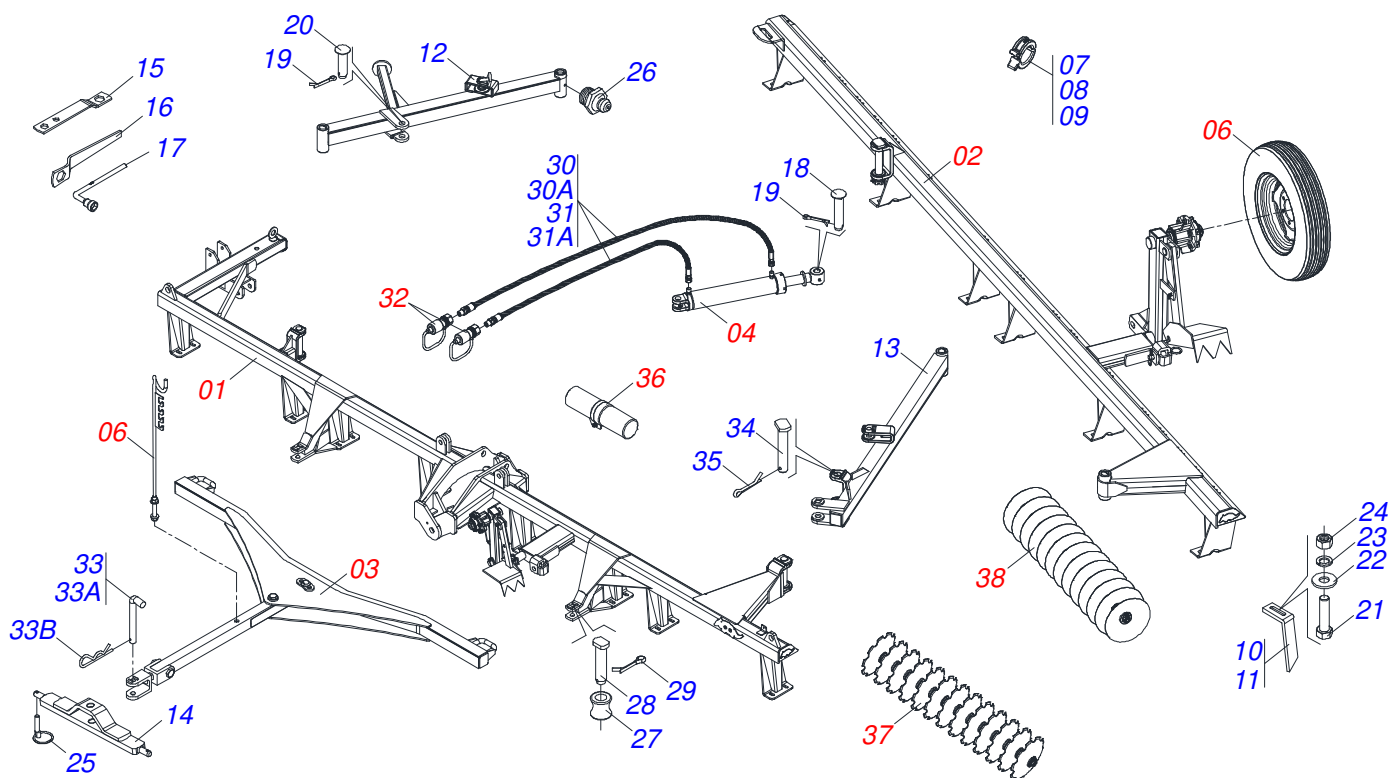


**MARCHESAN**

# INDEX

0909092363	ASSY FRAME	.....	1
0511040829	FRONT FRAME ASSY - 36D	.....	2
0511040833	FRONT FRAME ASSY - 44D	.....	3
0511040837	FRONT FRAME ASSY - 52D	.....	4
0511040839	FRONT FRAME ASSY - 56D	.....	5
0511040830	ASSY REAR FRAME - 36D	.....	6
0511040834	ASSY REAR FRAME - 44D	.....	7
0511040838	ASSY REAR FRAME - 52D	.....	8
0511040840	ASSY REAR FRAME - 56D	.....	9
0501051638	LEFT STUB SHAFT & HUB ASSY	.....	10
0501051637	RIGHT STUB SHAFT & HUB ASSY	.....	11
0501051142	CARRYING WHEEL HUB	.....	12
0501043380	DRAWBAR ASSY	.....	13
0511042712	DRAWBAR ASSY	.....	14
0511058459	HYDRAULIC CYLINDER	.....	15
0503060094	WHEEL AND TIRE ASSY	.....	16
0501040257	3/4 X 1200 HOSE HOLDER A	.....	17
0501053834	MALE QUICK COUPLER	.....	18
0521053485	ASSY MANUAL CANISTER	.....	19
0909092069	FRONT GANG DISC	.....	20
0909094736	REAR GANG DISC	.....	21
0521047189	BEARING 192,5 X 1.1/4 OSC IMP GN	.....	22
0521050842	CHUMACERA 192,5 X 1.1/4 IMP	.....	23

ASSY FRAME



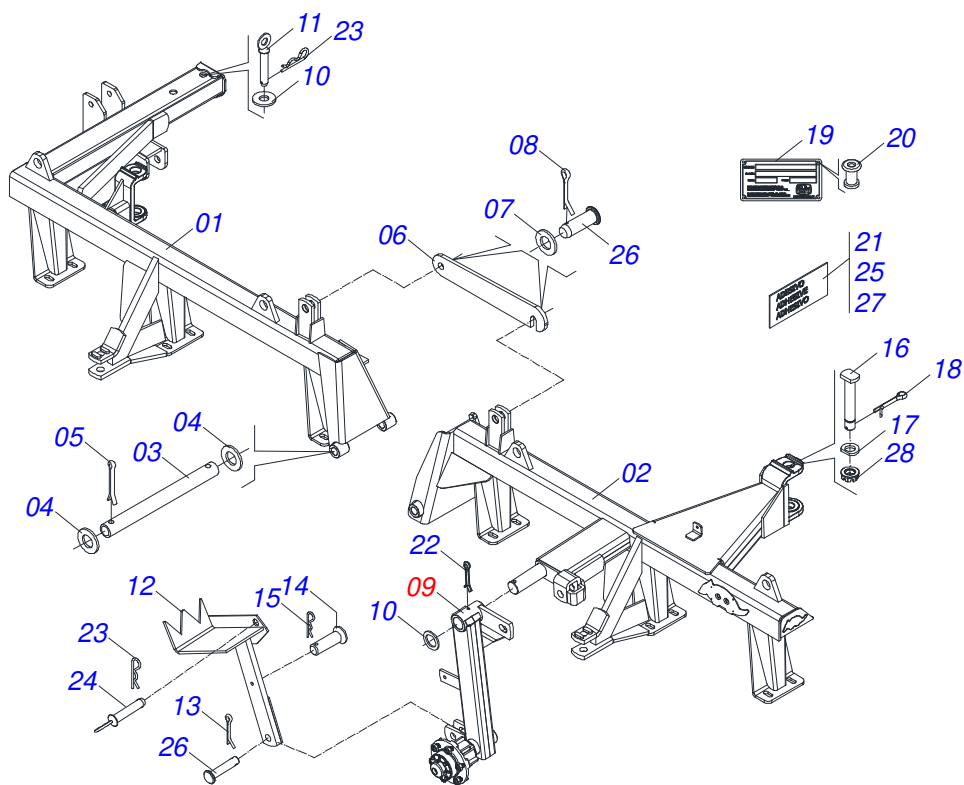
Item	Code	Description	See page	036	044	052	056
01	0511040829	FRONT FRAME ASSY - 36D	2	001	000	000	000
01.	0511040833	FRONT FRAME ASSY - 44D	3	000	001	000	000
01..	0511040837	FRONT FRAME ASSY - 52D	4	000	000	001	000
01...	0511040839	FRONT FRAME ASSY - 56D	5	000	000	000	001
02	0511040830	ASSY REAR FRAME - 36D	6	001	000	000	000
02.	0511040834	ASSY REAR FRAME - 44D	7	000	001	000	000
02..	0511040838	ASSY REAR FRAME - 52D	8	000	000	001	000
02...	0511040840	ASSY REAR FRAME - 56D	9	000	000	000	001
03	0501043380	DRAWBAR ASSY	13	001	001	000	000
03.	0511042712	DRAWBAR ASSY	14	000	000	001	001
04	0511058459	HYDRAULIC CYLINDER	15	001	001	001	001
05	0503060094	WHEEL AND TIRE ASSY	16	002	002	002	002
06	0501040257	3/4 X 1200 HOSE HOLDER A	17	001	001	001	001
07	0501047895	ROD STOP		001	001	001	001
08	0501047895	ROD STOP		004	004	004	004
09	0501047885	ROD STOP		004	004	004	004
10	0501063963	FRONT SCRAPER		011	012	016	018
10.	0591015209	FRONT SCRAPER		000	000	000	001
11	0501063962	REAR SCRAPER		011	012	016	018
11.	0591015208	REAR SCRAPER		000	000	000	001
12	0501064461	FRONT STAB BAR		001	001	001	000
12.	0501065955	78" FRONT ESTAB BAR		000	000	000	001
13	0501064462	63" REAR STABILIZER BAR		001	001	001	000
13.	0501065957	85.2" REAR STABILIZER BAR		000	000	000	001
14	0521062443	BAR FOR TRANSPORT		001	001	001	001
15	0511018451	5/8" X 3/4" X 1" UNIVERSAL		001	001	001	001
16	0501010198	1-1/4" CABLE FLAT WRENCH		002	002	002	002
17	0501068273	5/8" WRENCH		001	001	001	001
18	0521013077	1.2" X 5.7" PIVOT SHAFT		001	001	001	001
19	0503010010	1/4" X 2.1/2" COTTERPIN		002	002	002	002
20	0521010544	1.2" X 4.9" COUPLING SHAFT		001	001	001	001



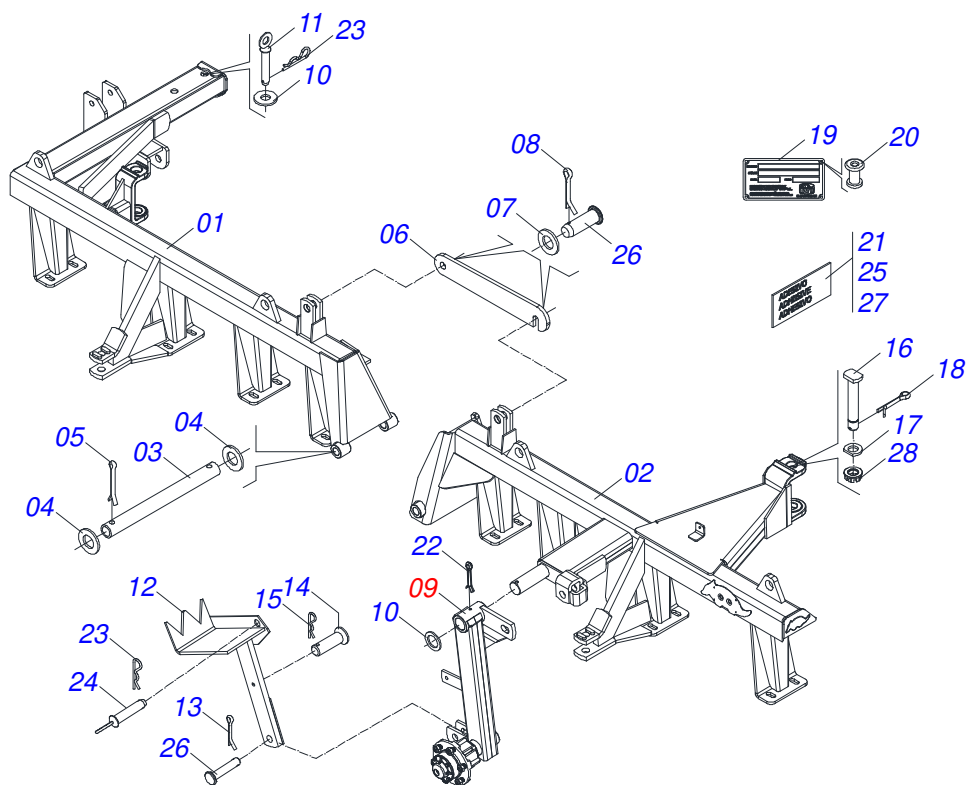
## ASSY FRAME

0909092363

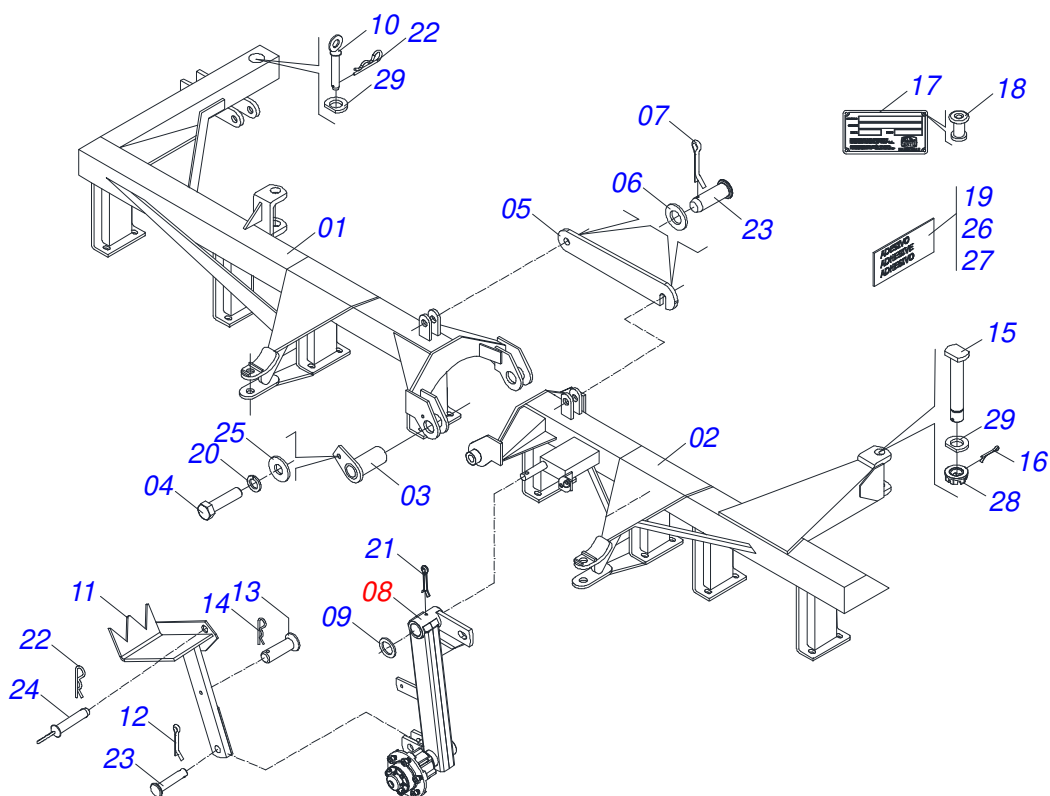
Item	Code	Description	See page	036	044	052	056
21	0503011082	C1/2" X 1.3/4" SCREW		044	048	072	076
22	0511017302	FLAT WASHER		044	048	072	076
23	0503010019	1/2" SPRING WASHER		044	048	072	076
24	0503010060	1/2" NUT		044	048	072	068
25	0503030430	7/16 X 2" PIN LOCK		002	002	002	002
26	0503010002	1800 GREASE FITTING		006	006	006	006
27	0502040147	REEL		002	002	002	002
28	0521010628	25,40 X 105 COUPLING SHAFT		002	002	002	002
29	0503010571	1/4" X 1.1/2 COTTERPIN		002	002	002	002
30	0501051049	HOSE KIT		001	001	001	000
30A	0501080363	3/8" X 177" TR-TM HOSE ASSY		002	002	002	000
31	0501051050	HOSE ASSY		000	000	000	001
31A	0501080362	3/8" X 177" TC-TM HOSE		000	000	000	002
32	0501053834	MALE QUICK COUPLER	18	002	002	002	002
33	0501040343	DRAWBOLT ASSY		001	001	001	001
33A	0521010453	AXI SHAFT		001	001	001	001
33B	0503031035	HITCH PIN CLIP		001	001	001	001
34	0521010644	1.5" X 8.4" COUPLING SHAFT		001	001	001	001
35	0503010534	3/8 X 2-1/2 COTTERPIN		001	001	001	001
36	0521053485	ASSY MANUAL CANISTER	19	001	001	001	001
37	0909092069	FRONT GANG DISC	20	036	044	052	056
38	0909094736	REAR GANG DISC	21	036	044	052	056



Item	Code	Description	See page	QT
01	0511063415	RIGHT FRONT FRAME		01
02	0511063420	LEFT FRONT FRAME		01
03	0531014377	1.1" X 16.6" COUPLING SHAFT		01
04	0501017779	32 X 60 X 4.75 FLAT WASHER		02
05	0503010571	1/4" X 1.1/2 COTTERPIN		02
06	0501018941	TRANSPORT LOCK		01
07	0511017480	FLAT WASHER		01
08	0503010571	1/4" X 1.1/2 COTTERPIN		02
09	0501051638	LEFT STUB SHAFT & HUB ASSY	10	01
10	0501015875	FLAT WASHER		01
11	0501068993	0.9" X 5.5" COUPLING SHAFT		01
12	0501060598	DRAWBAR JACK		01
13	0503010571	1/4" X 1.1/2 COTTERPIN		01
14	0521010625	0.4" X 2" COUPLING SHAFT		01
15	0503030168	HITCH PIN CLIP		01
16	0531019497	1.5" X 9.2" ARTICULATED AXIS		02
17	0531019540	FLAT WASHER		02
18	0503010010	1/4" X 2.1/2" COTTERPIN		02
19	0503034003	SERIAL NUMBER TAG 61 X 118		01
20	0503010001	3.2 X 5.5 RIVET		04
21	0503034706	ADHESIVE LABEL		01
22	0503010534	3/8 X 2-1/2 COTTERPIN		01
23	0503030012	HITCH PIN CLIP		02
24	0521066143	JUNCTION SHAFT		01
25	0503035341	ADHESIVE LABEL		01
26	0521012535	1.1" X 2.7" COUPLING SHAFT		03
27	0503034438	ADHESIVE LABEL		01
28	0501011301	1.1/2 UNC 6FPP 2.5/16 NUT		02

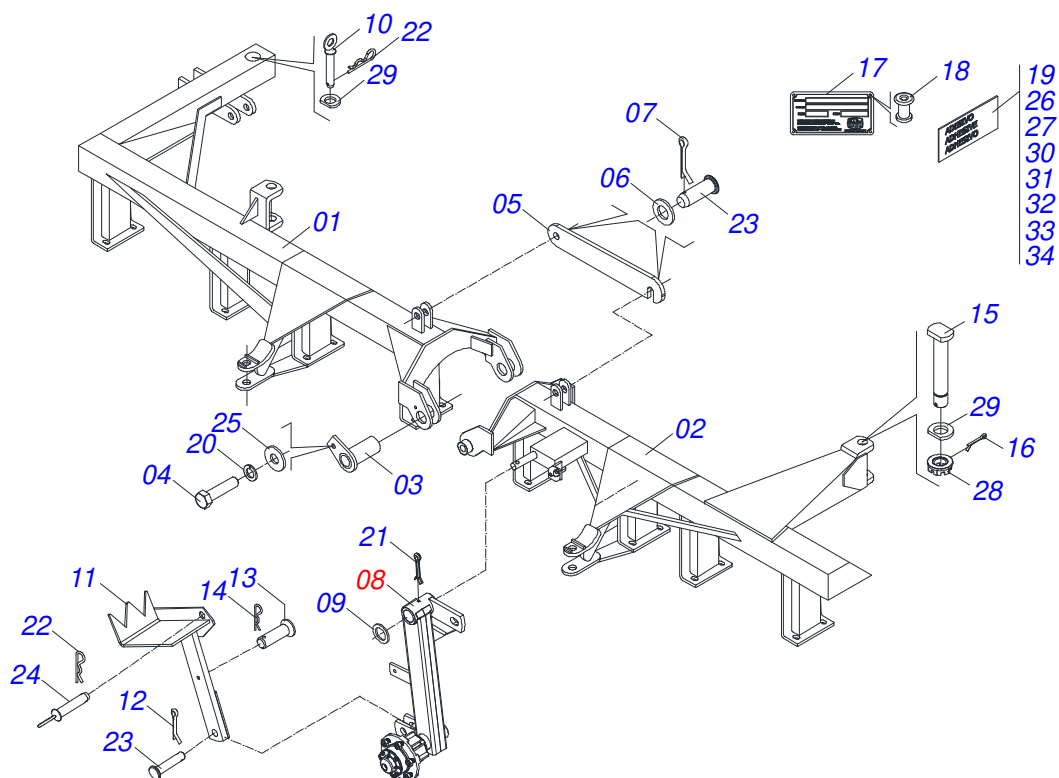


Item	Code	Description	See page	QT
001	0511063423	RIGHT FRONT FRAME		01
002	0511063424	LEFT FRONT FRAME		01
003	0531014377	1.1" X 16.6" COUPLING SHAFT		01
004	0501017779	32 X 60 X 4.75 FLAT WASHER		02
005	0503010571	1/4" X 1.1/2 COTTERPIN		02
006	0501018941	TRANSPORT LOCK		01
007	0511017480	FLAT WASHER		01
008	0503010571	1/4" X 1.1/2 COTTERPIN		02
009	0501051638	LEFT STUB SHAFT & HUB ASSY	10	01
010	0501015875	FLAT WASHER		01
011	0501068993	0.9" X 5.5" COUPLING SHAFT		01
012	0501060598	DRAWBAR JACK		01
013	0503010571	1/4" X 1.1/2 COTTERPIN		01
014	0521010625	0.4" X 2" COUPLING SHAFT		01
015	0503030168	HITCH PIN CLIP		01
016	0531019497	1.5" X 9.2" ARTICULATED AXIS		02
017	0531019540	FLAT WASHER		02
018	0503010010	1/4" X 2.1/2" COTTERPIN		02
019	0503034003	SERIAL NUMBER TAG 61 X 118		01
020	0503010001	3.2 X 5.5 RIVET		04
021	0503034706	ADHESIVE LABEL		01
022	0503010534	3/8 X 2-1/2 COTTERPIN		01
023	0503030012	HITCH PIN CLIP		02
024	0521066143	JUNCTION SHAFT		01
025	0503035341	ADHESIVE LABEL		01
026	0521012535	1.1" X 2.7" COUPLING SHAFT		03
027	0503034438	ADHESIVE LABEL		01
028	0501011301	1.1/2 UNC 6FPP 2.5/16 NUT		02



Item	Code	Description	See page	QT
01	0511063431	RIGHT FRONT FRAME		01
02	0511063432	LEFT FRONT FRAME		01
03	0501063751	1.5" X 5.5" PIVOT SHAFT		02
04	0503010962	5/8" X 1-1/4" BOLT		02
05	0501018941	TRANSPORT LOCK		01
06	0511017480	FLAT WASHER		01
07	0503010571	1/4" X 1.1/2 COTTERPIN		02
08	0501051638	LEFT STUB SHAFT & HUB ASSY	10	01
09	0501015875	FLAT WASHER		01
10	0501068993	0.9" X 5.5" COUPLING SHAFT		01
11	0501060598	DRAWBAR JACK		01
12	0503010571	1/4" X 1.1/2 COTTERPIN		01
13	0521010625	0.4" X 2" COUPLING SHAFT		01
14	0503030168	HITCH PIN CLIP		01
15	0531019497	1.5" X 9.2" ARTICULATED AXIS		02
16	0503010010	1/4" X 2.1/2" COTTERPIN		02
17	0503034003	SERIAL NUMBER TAG 61 X 118		01
18	0503010001	3.2 X 5.5 RIVET		04
19	0503034706	ADHESIVE LABEL		01
20	0503010027	5/8" SPRING WASHER		02
21	0503010534	3/8 X 2-1/2 COTTERPIN		01
22	0503030012	HITCH PIN CLIP		02
23	0521012535	1.1" X 2.7" COUPLING SHAFT		03
24	0521066143	JUNCTION SHAFT		01
25	0501012140	FLAT WASHER		02
26	0503035341	ADHESIVE LABEL		01
27	0503034438	ADHESIVE LABEL		01
28	0501011301	1.1/2 UNC 6FPP 2.5/16 NUT		02
29	0531019540	FLAT WASHER		02





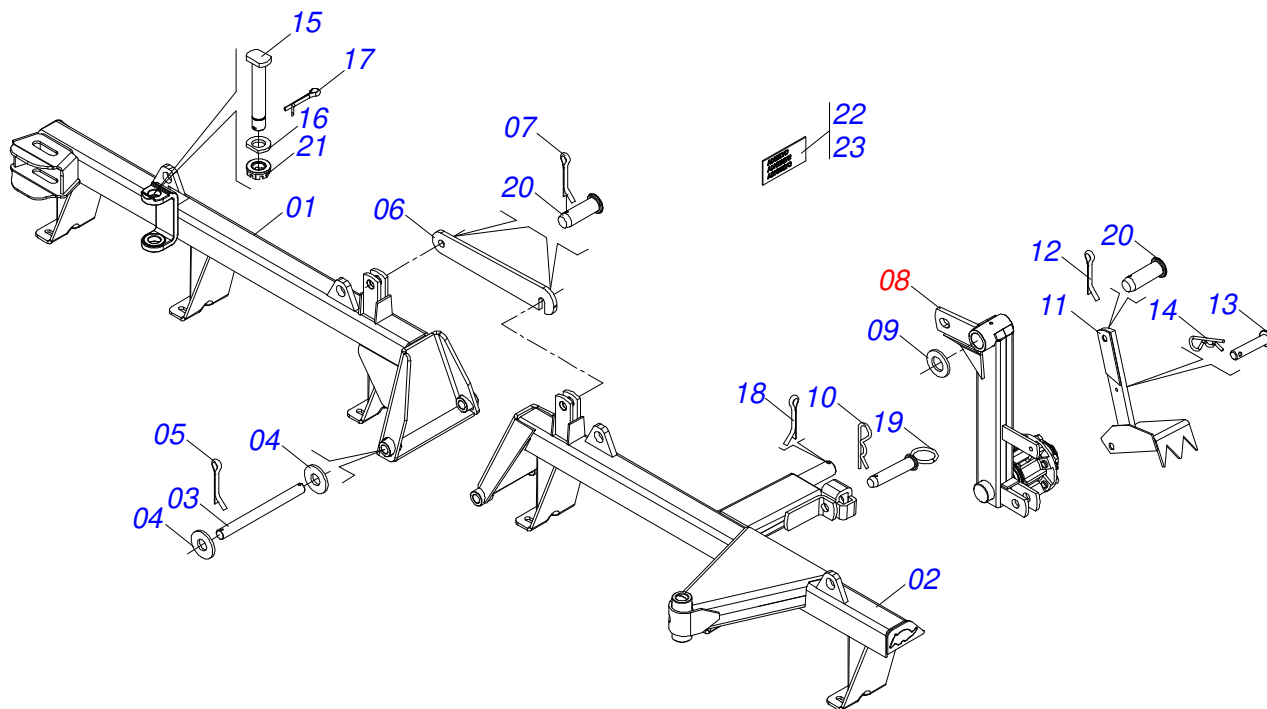
Item	Code	Description	See page	QT
01	0511063435	RIGHT FRONT FRAME		01
02	0511063436	LEFT FRONT FRAME		01
03	0501063751	1.5" X 5.5" PIVOT SHAFT		02
04	0503010962	5/8" X 1-1/4" BOLT		02
05	0501018941	TRANSPORT LOCK		01
06	0511017480	FLAT WASHER		01
07	0503010571	1/4" X 1.1/2 COTTERPIN		02
08	0501051638	LEFT STUB SHAFT & HUB ASSY	10	01
09	0501015875	FLAT WASHER		01
10	0501068993	0.9" X 5.5" COUPLING SHAFT		01
11	0501060598	DRAWBAR JACK		01
12	0503010571	1/4" X 1.1/2 COTTERPIN		01
13	0521010625	0.4" X 2" COUPLING SHAFT		01
14	0503030168	HITCH PIN CLIP		01
15	0531019497	1.5" X 9.2" ARTICULATED AXIS		02
16	0503010010	1/4" X 2.1/2" COTTERPIN		02
17	0503034003	SERIAL NUMBER TAG 61 X 118		01
18	0503010001	3.2 X 5.5 RIVET		04
19	0503034706	ADHESIVE LABEL		01
20	0503010027	5/8" SPRING WASHER		02
21	0503010534	3/8 X 2-1/2 COTTERPIN		01
22	0503030012	HITCH PIN CLIP		02
23	0521012535	1.1" X 2.7" COUPLING SHAFT		03
24	0521066143	JUNCTION SHAFT		01
25	0501012140	FLAT WASHER		02
26	0503035341	ADHESIVE LABEL		01
27	0503034438	ADHESIVE LABEL		01
28	0501011301	1.1/2 UNC 6FPP 2.5/16 NUT		02
29	0531019540	FLAT WASHER		02
30	0503031428	READ MANUAL DECAL		01
31	0503031087	ADHESIVE LABEL		01



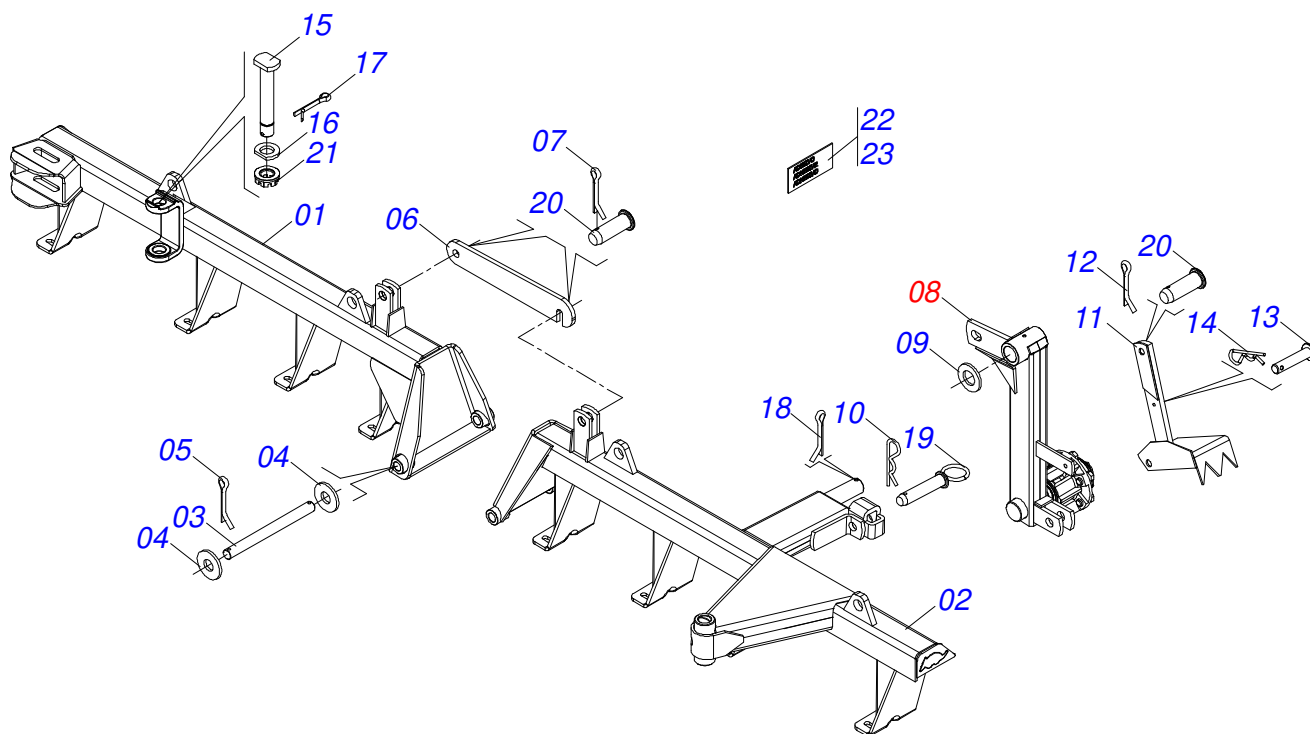
FRONT FRAME ASSY - 56D

0511040839

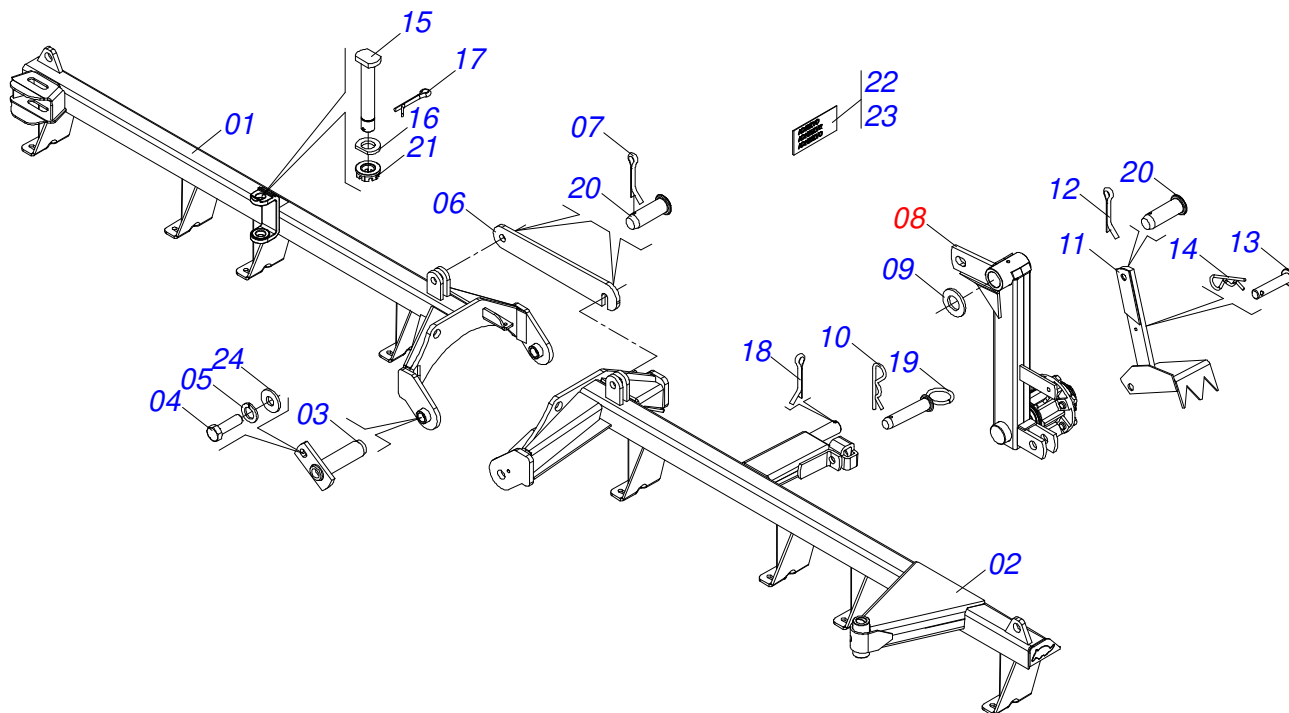
Item	Code	Description	See page	QT
32	0503031827	LUBRICATE AND RETIGHTEN DAILY DECAL		01
33	0503034078	LIFTING POINTS DECAL		02
34	0503033038	DANGER SIGN		01



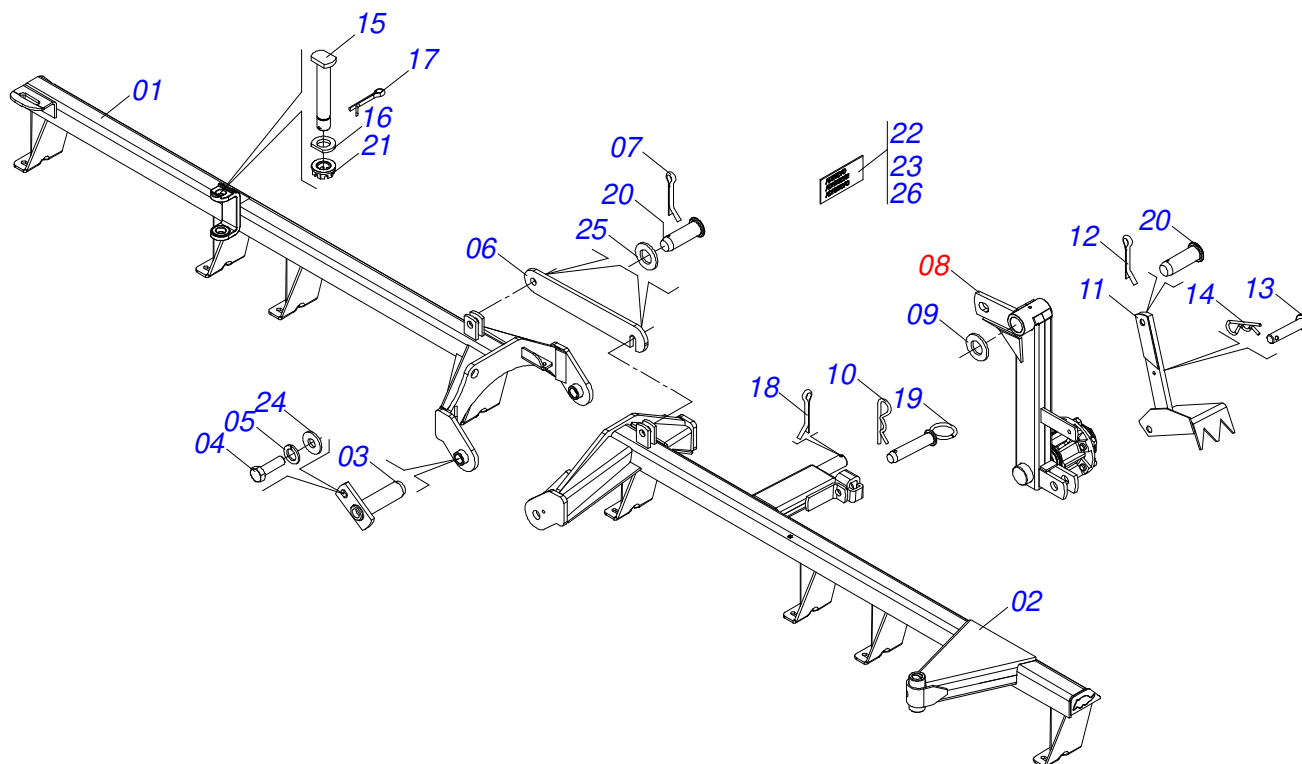
Item	Code	Description	See page	QT
01	0511063417	RIGHT REAR FRAME - 36D		01
02	0511063418	LEFT REAR FRAME - 36D		01
03	0531014377	1.1" X 16.6" COUPLING SHAFT		01
04	0501017779	32 X 60 X 4.75 FLAT WASHER		02
05	0503010571	1/4" X 1.1/2 COTTERPIN		02
06	0501018941	TRANSPORT LOCK		01
07	0503010571	1/4" X 1.1/2 COTTERPIN		02
08	0501051637	RIGHT STUB SHAFT & HUB ASSY	11	01
09	0501015875	FLAT WASHER		01
10	0503030012	HITCH PIN CLIP		01
11	0501060597	RIGHT DRAWBAR JACK		01
12	0503010571	1/4" X 1.1/2 COTTERPIN		01
13	0521010625	0.4" X 2" COUPLING SHAFT		01
14	0503030168	HITCH PIN CLIP		01
15	0531019497	1.5" X 9.2" ARTICULATED AXIS		01
16	0531019540	FLAT WASHER		01
17	0503010010	1/4" X 2.1/2" COTTERPIN		01
18	0503010534	3/8 X 2-1/2 COTTERPIN		01
19	0521066143	JUNCTION SHAFT		01
20	0521012535	1.1" X 2.7" COUPLING SHAFT		03
21	0501011301	1.1/2 UNC 6FPP 2.5/16 NUT		01
22	0503034706	ADHESIVE LABEL		01
23	0503035341	ADHESIVE LABEL		01



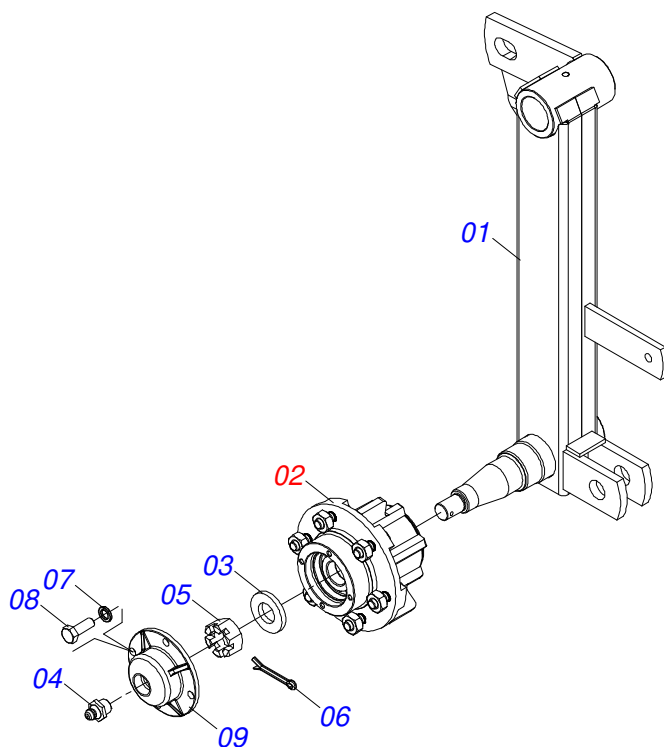
Item	Code	Description	See page	QT
01	0511063425	RIGHT REAR FRAME - 44D		01
02	0511063426	LEFT REAR FRAME - 44D		01
03	0531014377	1.1" X 16.6" COUPLING SHAFT		01
04	0501017779	32 X 60 X 4.75 FLAT WASHER		02
05	0503010571	1/4" X 1.1/2 COTTERPIN		02
06	0501018941	TRANSPORT LOCK		01
07	0503010571	1/4" X 1.1/2 COTTERPIN		02
08	0501051637	RIGHT STUB SHAFT & HUB ASSY	11	01
09	0501015875	FLAT WASHER		01
10	0503030012	HITCH PIN CLIP		01
11	0501060597	RIGHT DRAWBAR JACK		01
12	0503010571	1/4" X 1.1/2 COTTERPIN		01
13	0521010625	0.4" X 2" COUPLING SHAFT		01
14	0503030168	HITCH PIN CLIP		01
15	0531019497	1.5" X 9.2" ARTICULATED AXIS		01
16	0531019540	FLAT WASHER		01
17	0503010010	1/4" X 2.1/2" COTTERPIN		01
18	0503010534	3/8 X 2-1/2 COTTERPIN		01
19	0521066143	JUNCTION SHAFT		01
20	0521012535	1.1" X 2.7" COUPLING SHAFT		03
21	0501011301	1.1/2 UNC 6FPP 2.5/16 NUT		01
22	0503034706	ADHESIVE LABEL		01
23	0503035341	ADHESIVE LABEL		01



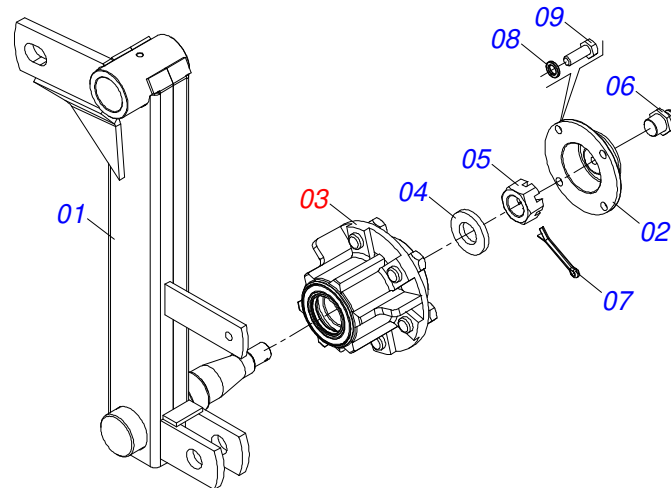
Item	Code	Description	See page	QT
01	0511063433	RIGHT REAR FRAME - 52D		01
02	0511063434	LEFT REAR FRAME - 52D		01
03	0501063751	1.5" X 5.5" PIVOT SHAFT		02
04	0503810962	5/8 UNC X 1.1/4 C S G.5 BOLT		02
05	0503011445	SPRING WASHER		02
06	0501018941	TRANSPORT LOCK		01
07	0503010571	1/4" X 1.1/2 COTTERPIN		02
08	0501051637	RIGHT STUB SHAFT & HUB ASSY	11	01
09	0501015875	FLAT WASHER		01
10	0503030012	HITCH PIN CLIP		01
11	0501060597	RIGHT DRAWBAR JACK		01
12	0503010571	1/4" X 1.1/2 COTTERPIN		01
13	0521010625	0.4" X 2" COUPLING SHAFT		01
14	0503030168	HITCH PIN CLIP		01
15	0531019497	1.5" X 9.2" ARTICULATED AXIS		01
16	0531019540	FLAT WASHER		01
17	0503010010	1/4" X 2.1/2" COTTERPIN		01
18	0503010534	3/8 X 2-1/2 COTTERPIN		01
19	0521066143	JUNCTION SHAFT		01
20	0521012535	1.1" X 2.7" COUPLING SHAFT		03
21	0501011301	1.1/2 UNC 6FPP 2.5/16 NUT		01
22	0503034706	ADHESIVE LABEL		01
23	0503035341	ADHESIVE LABEL		01
24	0501812140	FLAT WASHER		02



Item	Code	Description	See page	QT
01	0511063437	RIGHT REAR FRAME - 56D		01
02	0511063438	LEFT REAR FRAME - 56D		01
03	0501063751	1.5" X 5.5" PIVOT SHAFT		02
04	0503810962	5/8 UNC X 1.1/4 C S G.5 BOLT		02
05	0503011445	SPRING WASHER		02
06	0501018941	TRANSPORT LOCK		01
07	0503010571	1/4" X 1.1/2 COTTERPIN		02
08	0501051637	RIGHT STUB SHAFT & HUB ASSY	11	01
09	0501015875	FLAT WASHER		01
10	0503030012	HITCH PIN CLIP		01
11	0501060597	RIGHT DRAWBAR JACK		01
12	0503010571	1/4" X 1.1/2 COTTERPIN		01
13	0521010625	0.4" X 2" COUPLING SHAFT		01
14	0503030168	HITCH PIN CLIP		01
15	0531019497	1.5" X 9.2" ARTICULATED AXIS		01
16	0531019540	FLAT WASHER		01
17	0503010010	1/4" X 2.1/2" COTTERPIN		01
18	0503010534	3/8 X 2-1/2 COTTERPIN		01
19	0521066143	JUNCTION SHAFT		01
20	0521012535	1.1" X 2.7" COUPLING SHAFT		03
21	0501011301	1.1/2 UNC 6FPP 2.5/16 NUT		01
22	0503034706	ADHESIVE LABEL		01
23	0503035341	ADHESIVE LABEL		01
24	0501812140	FLAT WASHER		02
25	0511817480	FLAT WASHER		02
26	0503034078	LIFTING POINTS DECAL		02

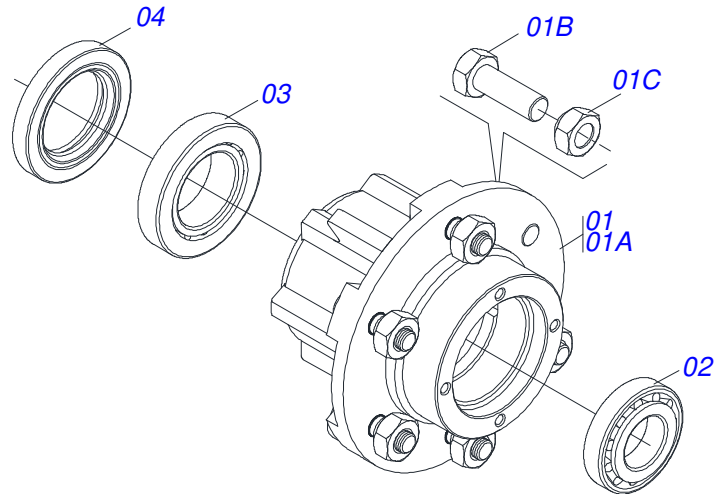


Item	Code	Description	See page	QT
01	0501069091	LEFT CARRYING-W FIXATION SUPPORT		01
02	0501051142	CARRYING WHEEL HUB	12	01
03	0501016545	FLAT WASHER		01
04	0503010002	1800 GREASE FITTING		01
05	0503030009	1" CASTLE NUT		01
06	0503010018	5/32 X 1-1/2 COTTERPIN		01
07	0503011444	SPRING WASHER		04
08	0503010358	5/16" X 5/8" BOLT		04
09	0502020591	PROTECCION COVER		01



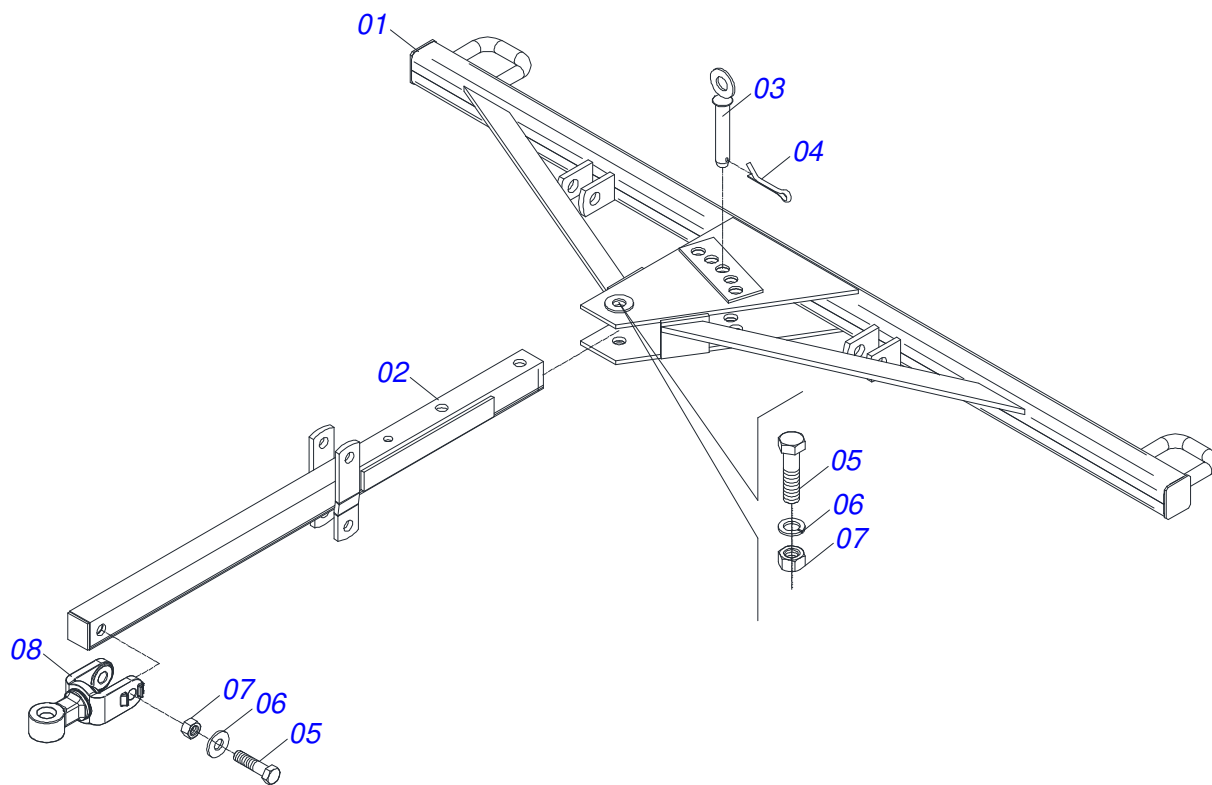
Item	Code	Description	See page	QT
01	0501068991	RIG CARRYING-WHEEL FIXATION SUPPORT		01
02	0502020591	PROTECCION COVER		01
03	0501051142	CARRYING WHEEL HUB	12	01
04	0501016545	FLAT WASHER		01
05	0503030009	1" CASTLE NUT		01
06	0503010002	1800 GREASE FITTING		01
07	0503010018	5/32 X 1-1/2 COTTERPIN		01
08	0503011444	SPRING WASHER		04
09	0503010358	5/16" X 5/8" BOLT		04





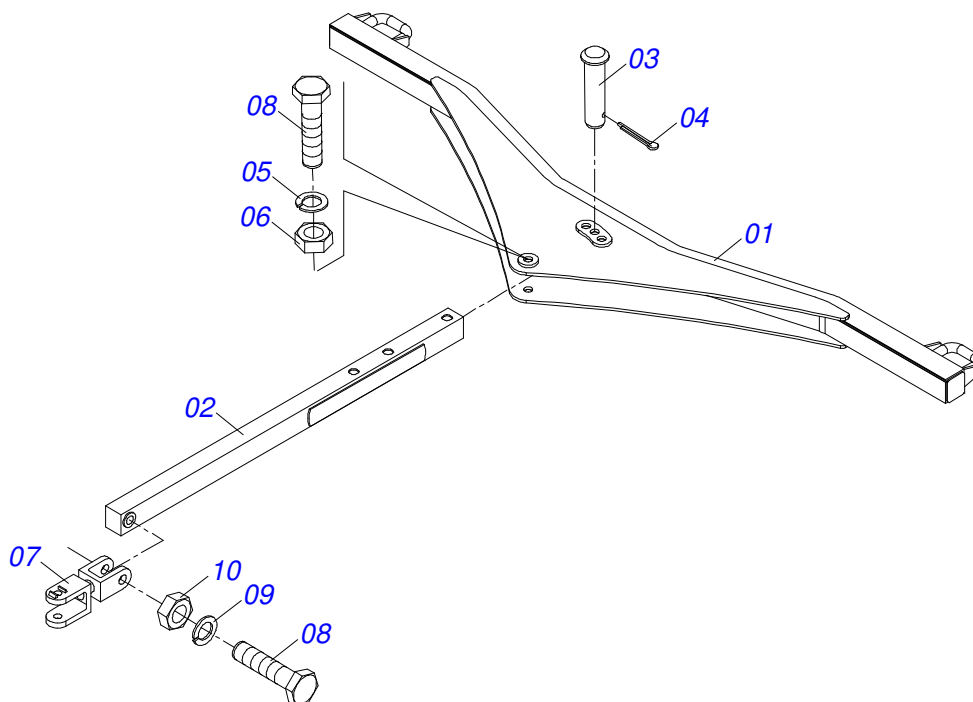
Item	Code	Description	See page	QT
01	0501110728	WHEEL HUB		01
01A	0502011121	CARRYING WHEEL HUB		01
01B	0501010127	9/16" X 1-7/8" LUG BOLT		06
01C	0503010035	9/16" CONIC NUT		06
02	0503010037	30207 ROLLER BEARING		01
03	0503010006	32210 ROLLER BEARING		01
04	0503012928	SEAL		01

DRAWBAR ASSY

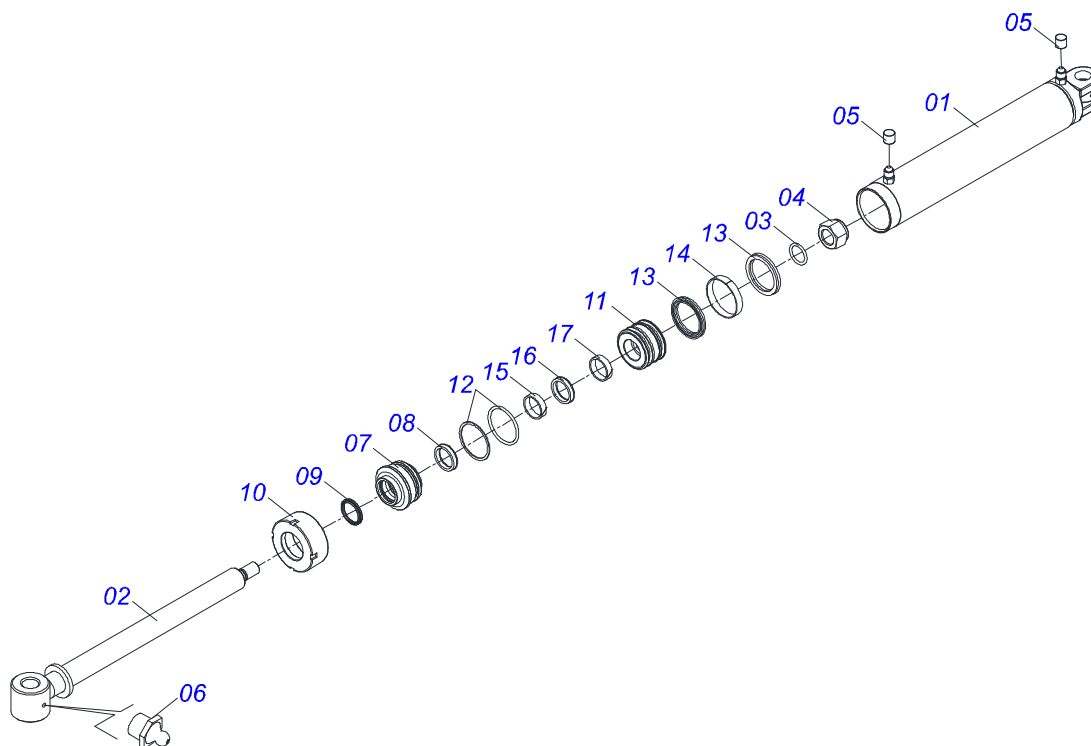


Item	Code	Description	See page	QT
01	0501064763	OFFSET BAR FOR TRANSPORT		01
02	0501064878	DRAWBAR ASSY		01
03	0501068993	0.9" X 5.5" COUPLING SHAFT		01
04	0503010523	1/4" X 2" COTTERPIN		01
05	0501010372	1" X 5-1/2" BOLT		02
06	0503011438	SPRING WASHER		02
07	0501010059	1.5/8 NUT		02
08	0521062444	TRACTOR HITCH		01

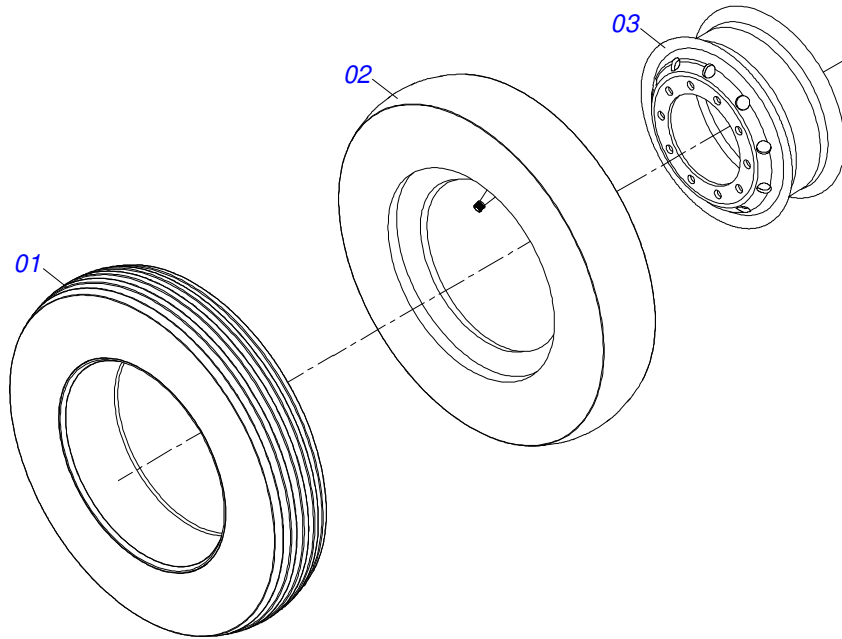
DRAWBAR ASSY



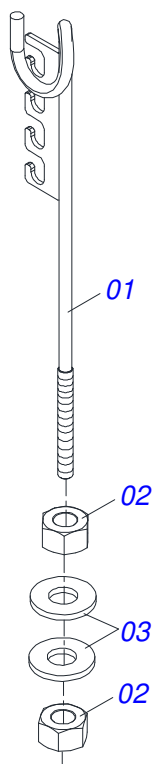
Item	Code	Description	See page	QT
01	0511064555	OFFSET BAR		01
02	0501060188	DRAWBAR ASSY		01
03	0521010585	0.9" X 5.9" COUPLING SHAFT		01
04	0503010523	1/4" X 2" COTTERPIN		02
05	0503011438	SPRING WASHER		02
06	0501010059	1.5/8 NUT		02
07	0521061775	TRACTOR HITCH		01
08	0501010060	1" X 6-1/2" BOLT		02



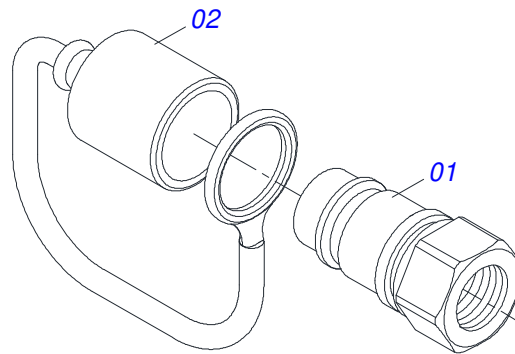
Item	Code	Description	See page	QT
01	0521061064	85,72 X 510 CYLINDER CASE		01
02	0521067533	50,80 X 697 EXTENSOR		01
03	0503010042	2-214 N 3006-9B O'RING		01
04	0503010063	1" SELF-ALIGNING NUT		01
05	0503030385	CYLINDER PLUG N-002		02
06	0503010002	1800 GREASE FITTING		02
07	0571019710	1.7" X 3.4" PISTON		01
08	0503017935	RING		01
09	0503018144	RING		01
10	0581013227	85,72 MOVEEL COVER		01
11	0581013228	50,80 X 85,72 SUPPORT RINGS		01
12	0503017940	8-337 BACK-UP RING		02
13	0503017939	2-337 N 3006-9B O' RING		02
14	0503010039	D-2000 SCRAPER RING		01
15	0503018026	1870-2000-375 B GASKET		01
16	0503018025	RING GUIDE		01
17	0503018024	RING BS		01



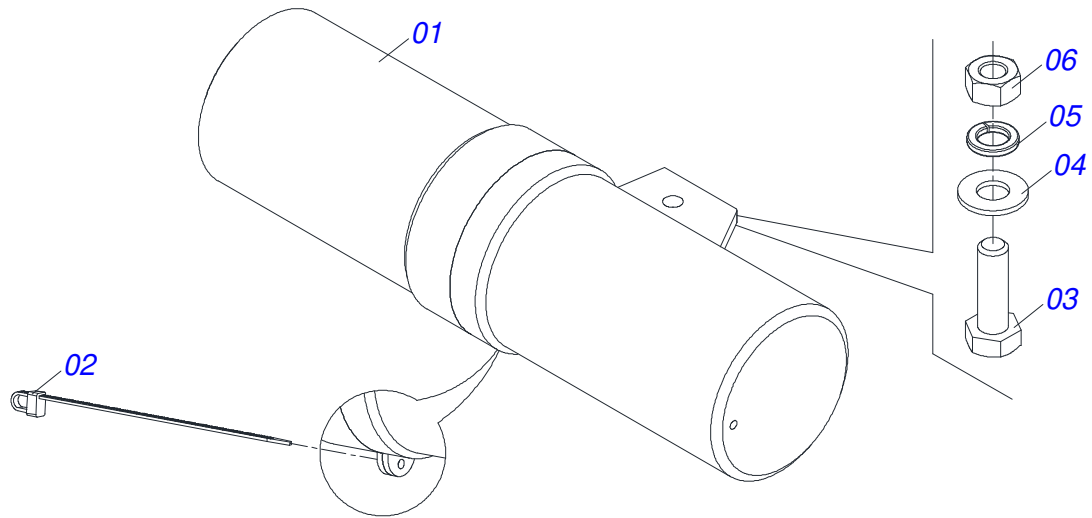
Item	Code	Description	See page	QT
01	0503010065	CANVAS TIRE		01
02	0503010068	6.00 X 16 INNER TIRE		01
03	0503010894	0.2"X0.6"X4.6"X6F0.6"X6" WHEEL		01



Item	Code	Description	See page	QT
01	0511067334	HOSE SOPPORT ASSY		01
02	0503010014	3/4" NUT		02
03	0501010322	FLAT WASHER		02



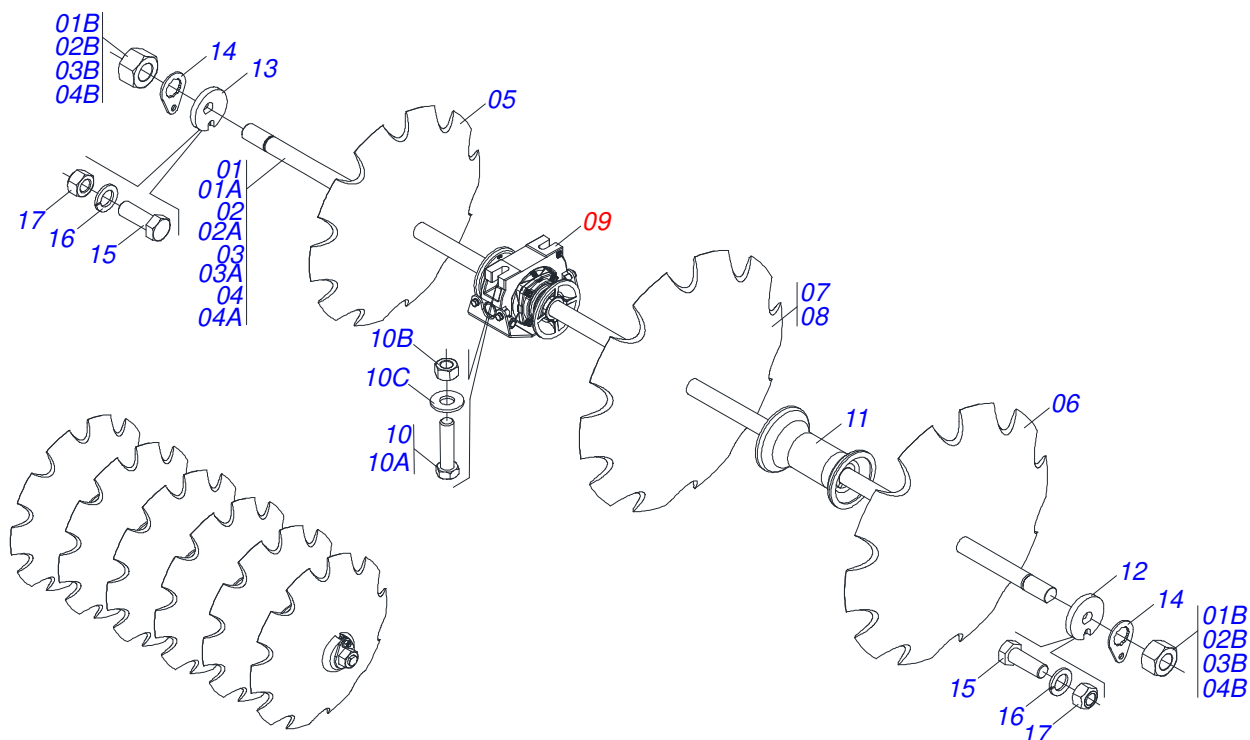
Item	Code	Description	See page	QT
01	0503011627	MALE QUICK COUPLER AGR 1/2 NPT		01
02	0503011882	MALE QUICK COUPLER CAP		01



Item	Code	Description	See page	QT
01	0503060100	OPERATOR'S MANUAL STORAGE TUBE		01
02	0503010267	NYLON CLAMP		01
03	0503010363	5/16" X 1" BOLT		01
04	0501010694	FLAT WASHER		01
05	0503010179	LOCK WASHER		01
06	0503010337	5/16" NUT		01

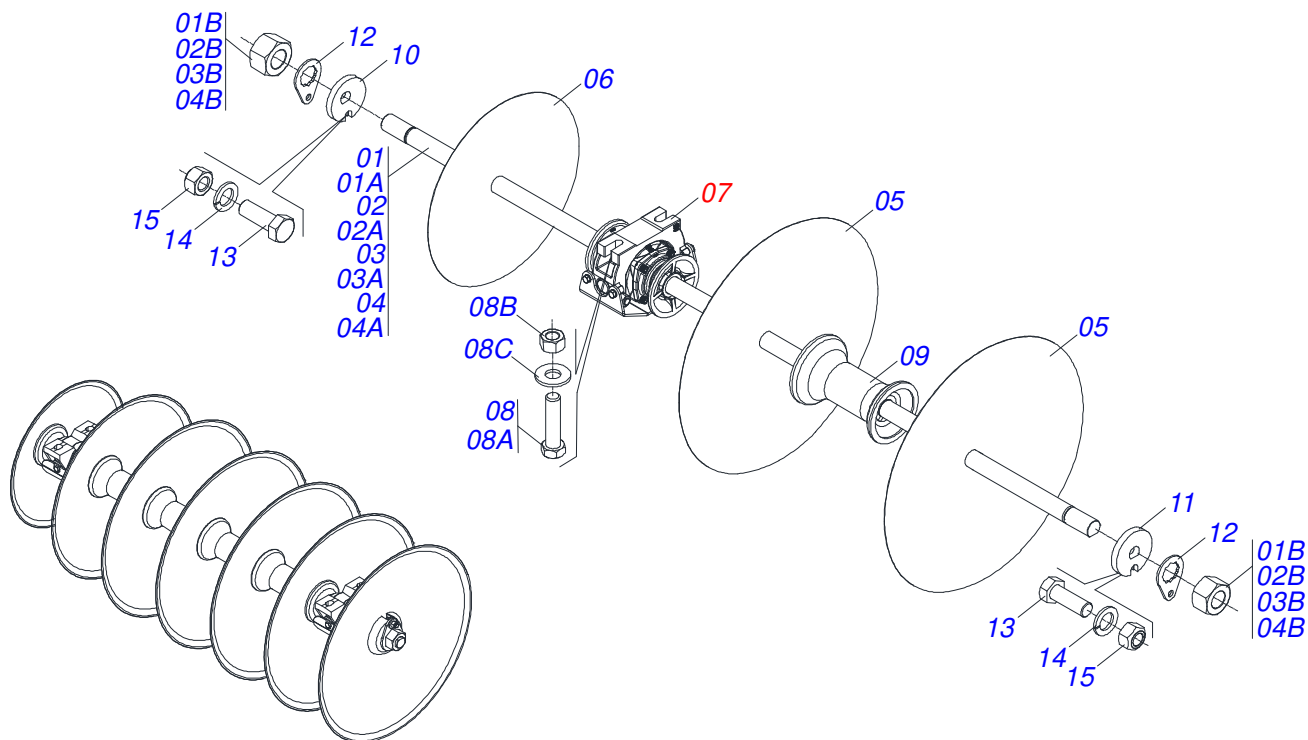


FRONT GANG DISC

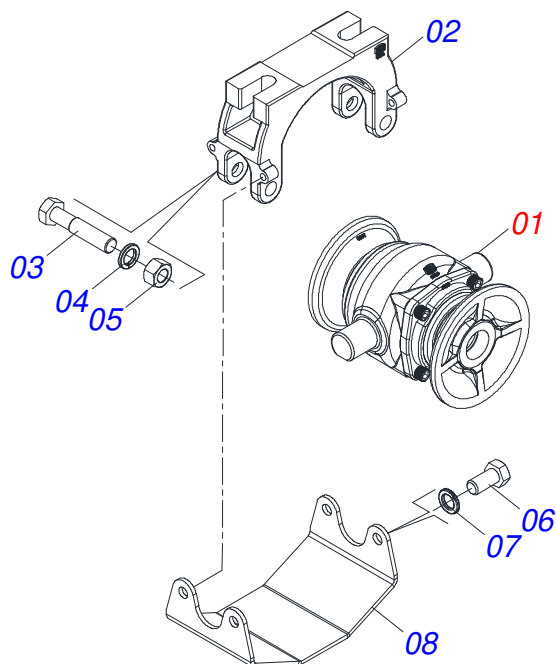


Item	Code	Description	See page	036	044	052	056
01	0501040694	1-1/4" X 66" AXLE WITH NUTS		004	000	000	000
01A	0501010439	1-1/4" X 66" AXLE		004	000	000	000
01B	0501010087	1.1/4" NUT		008	000	000	000
02	0501042262	1-1/4" X 35" AXLE WITH NUTS		000	004	000	000
02A	0501016647	1-1/4" X 35" AXLE		000	004	000	000
02B	0501010087	1.1/4" NUT		000	008	000	000
03	0501042201	1.1/4" X 1090 AXLE WITH NUTS		000	004	004	000
03A	0501016649	1.1/4" X 1090 AXLE		000	004	004	000
03B	0501010087	1.1/4" NUT		000	008	008	000
04	0501042202	1-1/4" X 50" AXLE WITH NUTS		000	000	004	008
04A	0501016650	1-1/4" X 50" AXLE		000	000	004	008
04B	0501010087	1.1/4" NUT		000	000	008	016
05	0602029420	22" X 3,5 NOTCHED DISC BLADE		036	044	052	056
06	0602027340	20" X 3,5 NOTCHED DISC BLADE		036	044	052	056
07	0602029421	NOTCHED DISC		036	044	052	056
08	0602027342	DR20X4,5 C57AF02FR1.5/16 10R TATU		036	044	052	056
09	0521047189	BEARING 192,5 X 1.1/4 OSC IMP GN	22	012	008	016	016
10	0521059224	SCREW ASSEMBLY		024	016	048	048
10A	0501013233	5/8" X 2-3/4" BOLT		024	016	048	048
10B	0503010013	5/8" NUT		048	032	096	096
10C	0501012140	FLAT WASHER		024	016	048	048
11	0502010549	7.6" X 1-1/4" SPACER		020	012	028	032
12	0502010835	1-1/4" EXTERNAL AXLE WASHER		004	004	008	008
13	0502010834	1-1/4" INNER AXLE WASHER		004	004	008	008
14	0501010455	1.1/4" NUT LOCK		012	016	016	016
15	0503010395	1/2" X 1-1/4" BOLT		012	016	016	016
16	0503010019	1/2" SPRING WASHER		012	016	016	016
17	0503010060	1/2" NUT		012	016	016	016

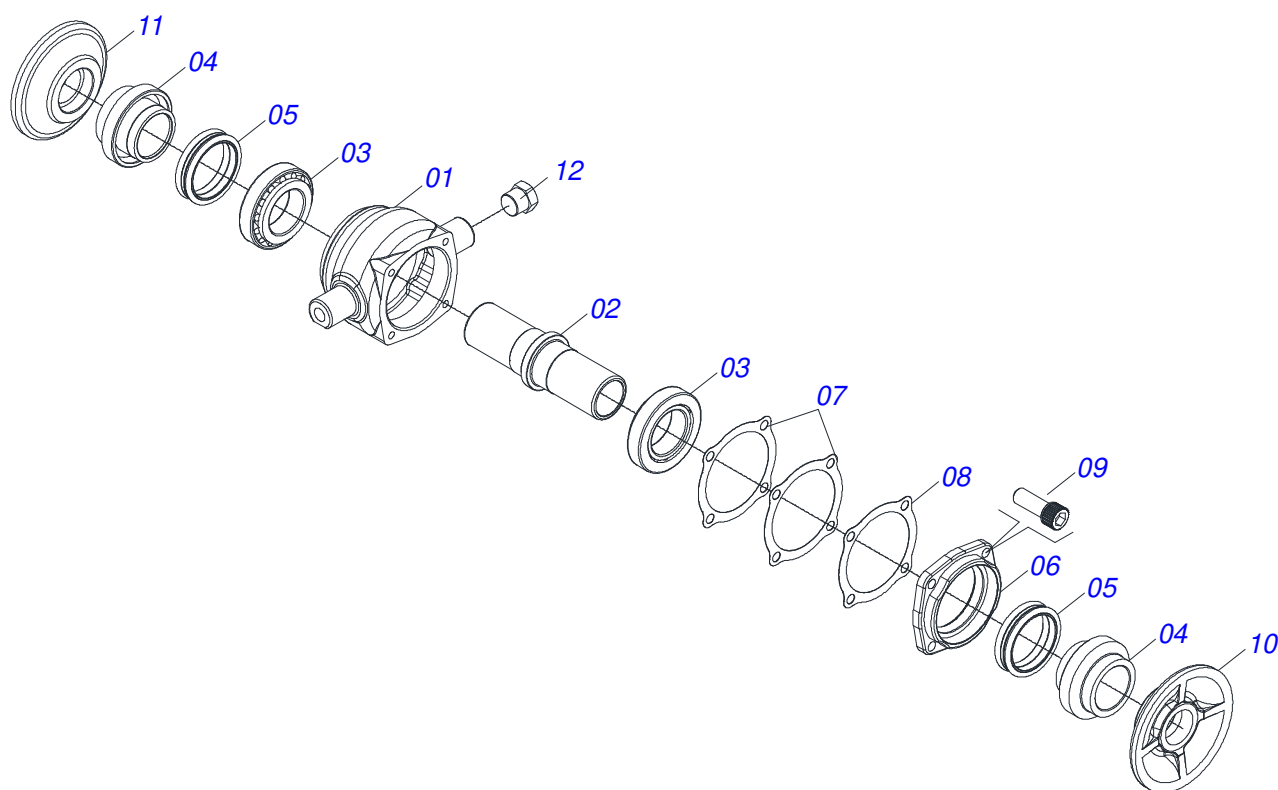
REAR GANG DISC



Item	Code	Description	See page	036	044	052	056
01	0501040694	1-1/4" X 66" AXLE WITH NUTS		004	000	000	000
01A	0501010439	1-1/4" X 66" AXLE		004	000	000	000
01B	0501010087	1.1/4" NUT		008	000	000	000
02	0501042262	1-1/4" X 35" AXLE WITH NUTS		000	004	000	000
02A	0501016647	1-1/4" X 35" AXLE		000	004	000	000
02B	0501010087	1.1/4" NUT		000	008	000	000
03	0501042201	1.1/4" X 1090 AXLE WITH NUTS		000	004	004	000
03A	0501016649	1.1/4" X 1090 AXLE		000	004	004	000
03B	0501010087	1.1/4" NUT		000	008	008	000
04	0501042202	1-1/4" X 50" AXLE WITH NUTS		000	000	004	008
04A	0501016650	1-1/4" X 50" AXLE		000	000	004	008
04B	0501010087	1.1/4" NUT		000	000	008	016
05	0601029418	22" X 3,5 PLAIN DISC BLADE		036	044	052	056
06	0601027301	20" X 3,5 PLAIN DISC BLADE		036	044	052	056
07	0521047189	BEARING 192,5 X 1.1/4 OSC IMP GN	22	012	008	016	016
08	0521059224	SCREW ASSEMBLY		024	016	048	048
08A	0501013233	5/8" X 2-3/4" BOLT		024	016	048	048
08B	0503010013	5/8" NUT		048	032	096	096
08C	0501012140	FLAT WASHER		048	016	048	048
09	0502010549	7.6" X 1-1/4" SPACER		020	012	028	032
10	0502010835	1-1/4" EXTERNAL AXLE WASHER		004	004	008	008
11	0502010834	1-1/4" INNER AXLE WASHER		004	004	008	008
12	0501010455	1.1/4" NUT LOCK		012	016	016	016
13	0503010395	1/2" X 1-1/4" BOLT		012	016	016	016
14	0503010019	1/2" SPRING WASHER		012	016	016	016
15	0503010060	1/2" NUT		012	016	016	016



Item	Code	Description	See page	QT
01	0521050842	CHUMACERA 192,5 X 1.1/4 IMP	23	01
02	0502012854	BEARING SUPPORT		01
03	0501011541	5/8" X 3" BOLT		02
04	0503010027	5/8" SPRING WASHER		02
05	0503010013	5/8" NUT		02
06	0503011334	BOLT 3/8 UNC X 3/4 CS G.5 ZN		04
07	0503010025	3/8" SPRING WASHER		04
08	0581014143	SWIVEL OIL BATH BEARING WEAR PLATE		01



Item	Code	Description	See page	QT
01	0502012839	BEARING HOUSING		01
02	0502040060	AXLE CM/DM 182/192,5 SKF 32210		01
03	0503010006	32210 ROLLER BEARING		02
04	0502010541	SEAL RETAINER		02
05	0503030026	SEAL LP JB-253		02
06	0502020424	HOUSING CAP		01
07	0503030013	4.4" X 3.5" X 0.004" JOINT		02
08	0503030684	4.4" X 3.5" X 0.004" JOINT		01
09	0503010134	3/8" X 1" BOLT		04
10	0502010070	OUTER FLANGE		01
11	0502010071	INNER FLANGE		01
12	0503010856	OIL PLUG		02
13	3402301247	MINERAL OIL GREASE		00





**MARCHESAN**

**Technical Publications | Elaboration and Revision**

LUIZ CANDIDO

[www.marchesan.com.br](http://www.marchesan.com.br)

