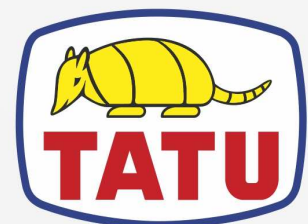


OFFSET DISK HARROW

GAICR 14/16/18/20/24/28D - 1.5/8" AXIS
GAICR 14/16/18/20/24/28D - EIXO 1.5/8"

Code: 0501093125
Series: S-0910
Revision: 00
Revision Date: JANUARY/2024

PARTS CATALOGUE



MARCHESAN



PRODUCTS

Code	Working Width	Description
0102260552		GAICR 14 X 28 X 6,00 DMO S-0910
0102260554		GAICR 16 X 28 X 6,00 DMO S-0910
0102260556		GAICR 18 X 28 X 6,00 DMO S-0910
0102260558		GAICR 20 X 28 X 6,00 DMO S-0910
0102260562		GAICR 24 X 28 X 6,00 DMO S-0910
0102260529		GAICR 24 X 28 X 7,50 DMO S-0910
0102260566		GAICR 28 X 28 X 6,00 DMO S-0910

ATTENTION: IMPORTANT

Marchesan S.A. reserves the right to improve and/or modify the technical features of its products, without obligation to do the same with those products already sold and without prior knowledge of the dealer or the customer. The photos are only illustrative.

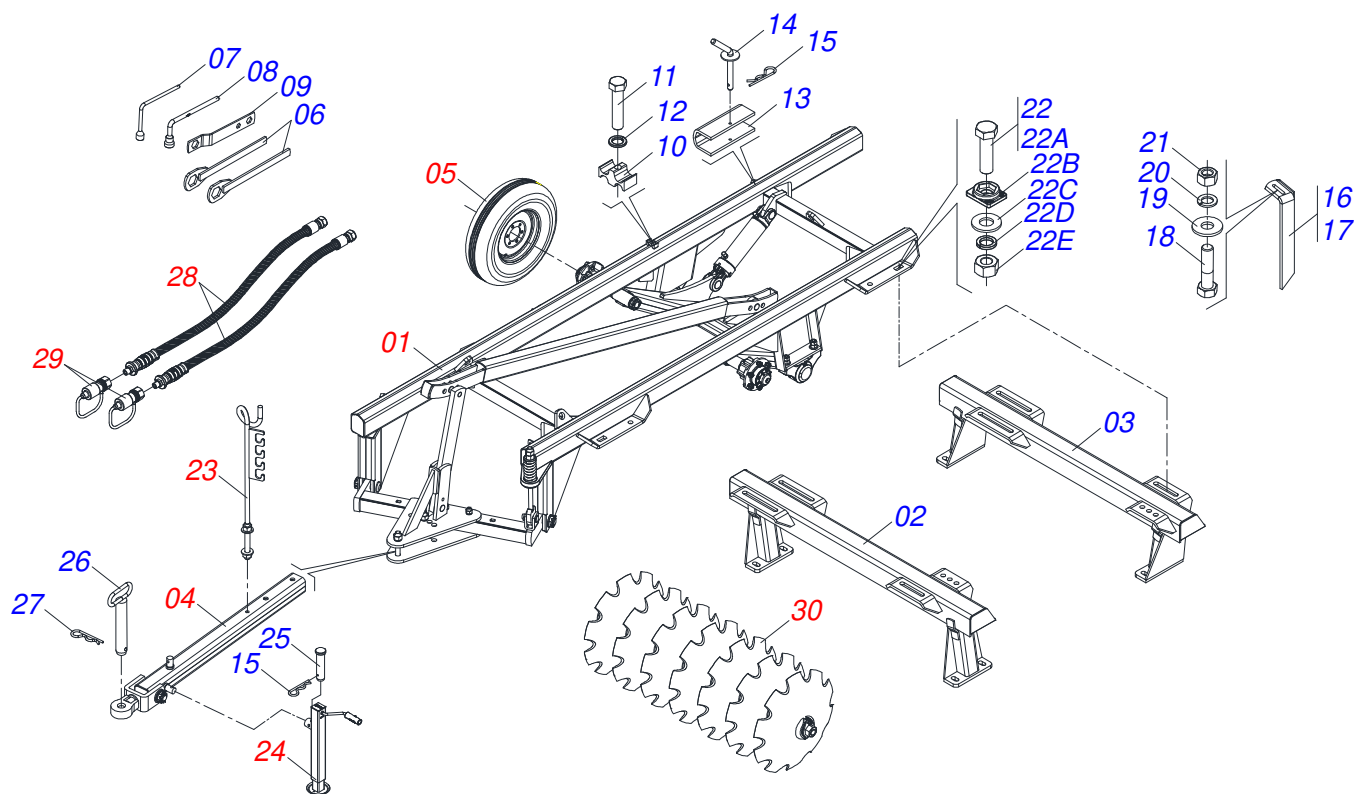


MARCHESAN

INDEX

0909095975	FRAME ASSY	1
0521042603	FRAME ASSY	2
0521042604	FRAME ASSY	3
0521042608	FRAME ASSY	4
0501051634	STUB SHAFT HUB ASSY	5
0501051142	CARRYING WHEEL HUB	6
0511058298	HYDRAULIC CYLINDER 44,45 X 85,7 X 515 X 203	7
0511059180	HYDRAULIC CYLINDER 50,80 X 101,60 X 515 X 203	8
0501041096	DRAWBAR ASSY	9
0521048502	TRACTION BAR ASSY	10
0521057520	HITCH ASSY	11
0503060094	WHEEL AND TIRE ASSY	12
0503060091	L 29.5" X 0.63"-10L WHEEL AND TIRE ASSY	13
0501040257	3/4" X 38" HOSE SUPPORT ASSY	14
0503062157	DRAWBAR JACK	15
0503011360	HOSE KIT	16
0501053834	MALE QUICK COUPLER	17
0909095976	DISC GANG ASSY	18
0511048375	DMO 262 X 1.5/8 AGRICULTURAL BEARING ASSY	19
0501059733	DMO 262 X 1.5/8 AGRICULTURAL BEARING	20

FRAME ASSY



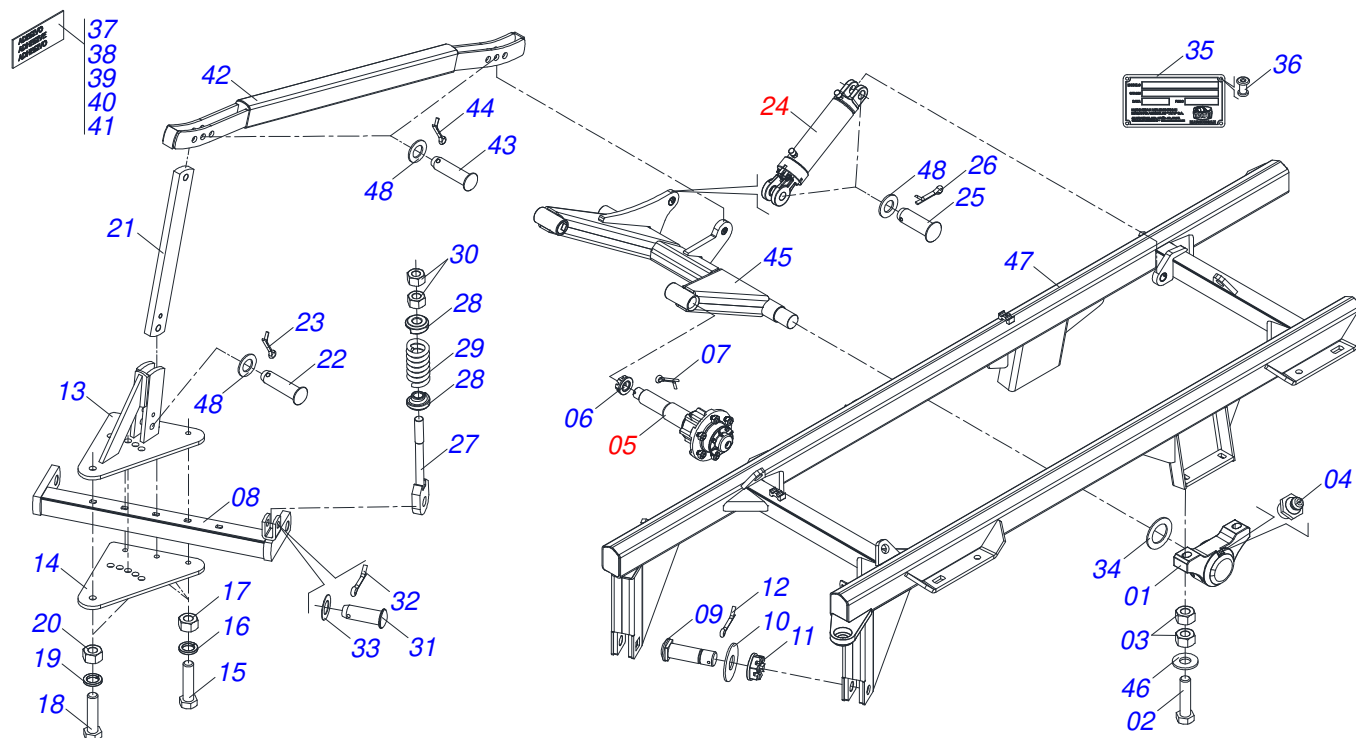
Item	Code	Description	See page	014	016	018	020	024	028
01	0521042603	FRAME ASSY	2	001	000	000	000	000	000
01.	0521042604	FRAME ASSY	3	000	001	001	000	000	000
01..	0521042608	FRAME ASSY	4	000	000	000	001	001	001
02	0501065140	FRONT FRAME - 14D		001	000	000	000	000	000
02.	0501065142	FRONT FRAME - 16D		000	001	000	000	000	000
02..	0501065144	FRONT FRAME - 18D		000	000	001	000	000	000
02...	0501065146	FRONT FRAME - 20D		000	000	000	001	000	000
02....	0501065148	FRONT FRAME - 24/25D		000	000	000	000	001	000
02.....	0501065150	FRONT FRAME - 28/29D		000	000	000	000	000	001
03	0501065141	REAR FRAME - 14D		001	000	000	000	000	000
03.	0501065143	REAR FRAME - 16D		000	001	000	000	000	000
03..	0501065145	REAR FRAME - 18D		000	000	001	000	000	000
03...	0501065147	REAR FRAME - 20D		000	000	000	001	000	000
03....	0501065149	REAR FRAME - 24D		000	000	000	000	001	000
03.....	0501065151	REAR FRAME - 28D		000	000	000	000	000	001
04	0501041096	DRAWBAR ASSY	9	001	000	000	000	000	000
04.	0521048502	TRACTION BAR ASSY	10	000	001	001	001	001	001
05	0503060094	WHEEL AND TIRE ASSY	12	002	000	000	000	000	000
05.	0503060091	L 29.5" X 0.63"-10L WHEEL AND TIRE ASSY	13	000	002	002	002	002	002
06	0501011431	1-3/4" GANG BOLT WRENCH		002	002	002	002	002	002
07	0503018438	1" WRENCH CYLINDRICAL HEX		001	001	001	001	001	001
08	0501061617	1" GANG BOLT WRENCH		001	001	001	001	001	001
09	0511018451	5/8" X 3/4" X 1" UNIVERSAL		001	001	001	001	001	001
10	0502012702	BODY SUPPORT CLAMP		002	002	002	002	002	002
11	0503012555	SCREW 7/16 UNC X 2 CS RT G.7 ZN		002	002	002	002	002	002
12	0503010180	7/16" SPRING WASHER		002	002	002	002	002	002
13	0511010420	8.5" X 1.8" TRANSPORT LOCK		001	000	000	000	000	000
13.	0511010839	TRANSPORT LOCK 7.9" X 2.1" X 0.4"		000	001	001	001	001	001
14	0501068994	8,30 X 78 LOCK PIN		001	001	001	001	001	001
15	0503030168	HITCH PIN CLIP		001	002	002	002	002	002



FRAME ASSY

0909095975

Item	Code	Description	See page	014	016	018	020	024	028
16	0501064168	FRONT SCRAPER		004	004	004	005	007	009
17	0501064167	REAR SCRAPER		004	004	004	005	007	009
18	0503010740	BOLT 1/2 UNC X 2 CS G.5 ZN		016	016	016	020	028	036
19	0511017302	FLAT WASHER 13,50 X 32,50 X 3,0 ZN		016	016	016	020	056	072
20	0503010019	1/2" SPRING WASHER		016	016	016	020	028	036
21	0503010060	1/2 UNC G.5 ZN HEX NUT		016	016	016	020	028	036
22	0501040877	C1" X 3-1/4" BOLT ASSY		008	008	008	008	008	008
22A	0501010171	BOLT 1 UNC X 3.1/2 C S G.5		001	001	001	001	001	001
22B	0502012861	1" SQUARE WASHER		001	001	001	001	001	001
22C	0501010065	1" SPRING WASHER		001	001	001	001	001	001
22D	0503010012	1" SPRING WASHER		001	001	001	001	001	001
22E	0501010059	1.5/8 NUT		001	001	001	001	001	001
23	0501040257	3/4" X 38" HOSE SUPPORT ASSY	14	001	001	001	001	001	001
24	0503062157	DRAWBAR JACK	15	000	001	001	001	001	001
25	0521010549	COUPLING SHAFT		000	001	001	001	001	001
26	0501069080	COUPLING SHAFT		001	001	001	001	001	001
27	0503031035	HITCH PIN CLIP		001	001	001	001	001	001
28	0503011360	HOSE KIT	16	001	001	001	001	001	001
29	0501053834	MALE QUICK COUPLER	17	002	002	002	002	002	002
30		DISC GANG ASSY	18						



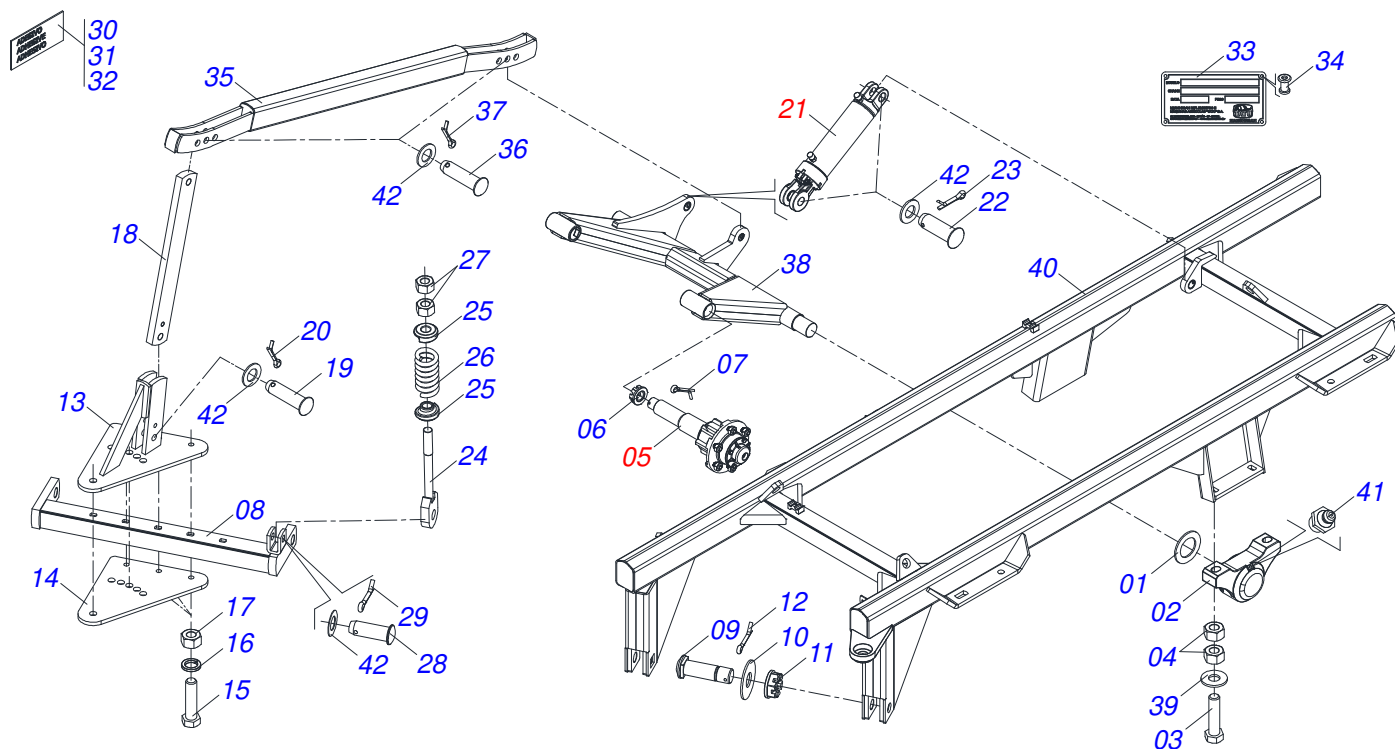
Item	Code	Description	See page	QT
01	0501110856	ARTICULATION BEARING		02
02	0503010797	3/4" X 4" BOLT		04
03	0503010014	3/4" ZN G.5 (HEAVY) UNC HEX NUT		08
04	0503010002	1800 GREASE FITTING		02
05	0501051634	STUB SHAFT HUB ASSY	5	02
06	0501011301	1.1/2" UNC 6FPP 2.5/16" NUT		02
07	0503010010	SPLIT PIN 1/4" X 2.1/2"		02
08	0501060370	OFFSET BAR		01
09	0521017538	11-1/2" X 5" COUPLING SHAFT		02
10	0511019880	FLAT WASHER		02
11	0501011301	1.1/2" UNC 6FPP 2.5/16" NUT		02
12	0503010010	SPLIT PIN 1/4" X 2.1/2"		02
13	0501066099	UPPER PLATE WITH SUPPORT		01
14	0501010241	UPPER /LOWER PLATE		01
15	0503011198	BOLT 3/4" UNC X 6" CS G.5		03
16	0503011442	3/4" SPRING WASHER		03
17	0503010014	3/4" ZN G.5 (HEAVY) UNC HEX NUT		03
18	0501010060	1" X 6-1/2" BOLT		02
19	0503011438	SPRING WASHER		02
20	0501010059	1.5/8 NUT		02
21	0511012972	STABILIZER BAR TOWER		01
22	0521010576	0.9" X 3.7" COUPLING SHAFT		01
23	0503010571	1/4" X 1.1/2" SPLIT PIN		01
24	0511058298	HYDRAULIC CYLINDER 44,45 X 85,7 X 515 X 203	7	01
25	0521012538	1.2" X 3.5" COUPLING SHAFT		02
26	0503010523	1/4" X 2" SPLIT PIN		02
27	0501064698	SPRING ROD		01
28	0502020392	SPRING SUPPORT		02
29	0503030441	12.7" X 5.7" X 0.5" SPRING		01
30	0501010059	1.5/8 NUT		02



FRAME ASSY

0521042603

Item	Code	Description	See page	QT
31	0521010592	1.1" X 3.1" COUPLING SHAFT		01
32	0503010571	1/4" X 1.1/2" SPLIT PIN		01
33	0561011883	FLAT WASHER		01
34	0501017579	FLAT WASHER		02
35	0503034003	61 X 118 SERIAL NUMBER TAG		01
36	0503010001	RIVET 3,2 X 5,5		04
37	0503060787	GAICR DECAL SET		01
38	0503031087	AUTO CONTROL APPROVED DECAL		01
39	0503033038	DANGER DECAL		02
40	0503031827	LUBRICATE AND RETIGHTEN DAILY DECAL		01
41	0503031428	READ MANUAL DECAL		01
42	0511066932	STABILIZER BAR		01
43	0521010575	C0.9" X 3.3" COUPLING SHAFT		02
44	0503010571	1/4" X 1.1/2" SPLIT PIN		02
45	0501066950	CARRYING-WHEELS		01
46	0501010322	20,50 X 46 X 4,00 ZN FLAT WASHER		04
47	0511066917	FRAME		01
48	0501011445	FLAT WASHER		03



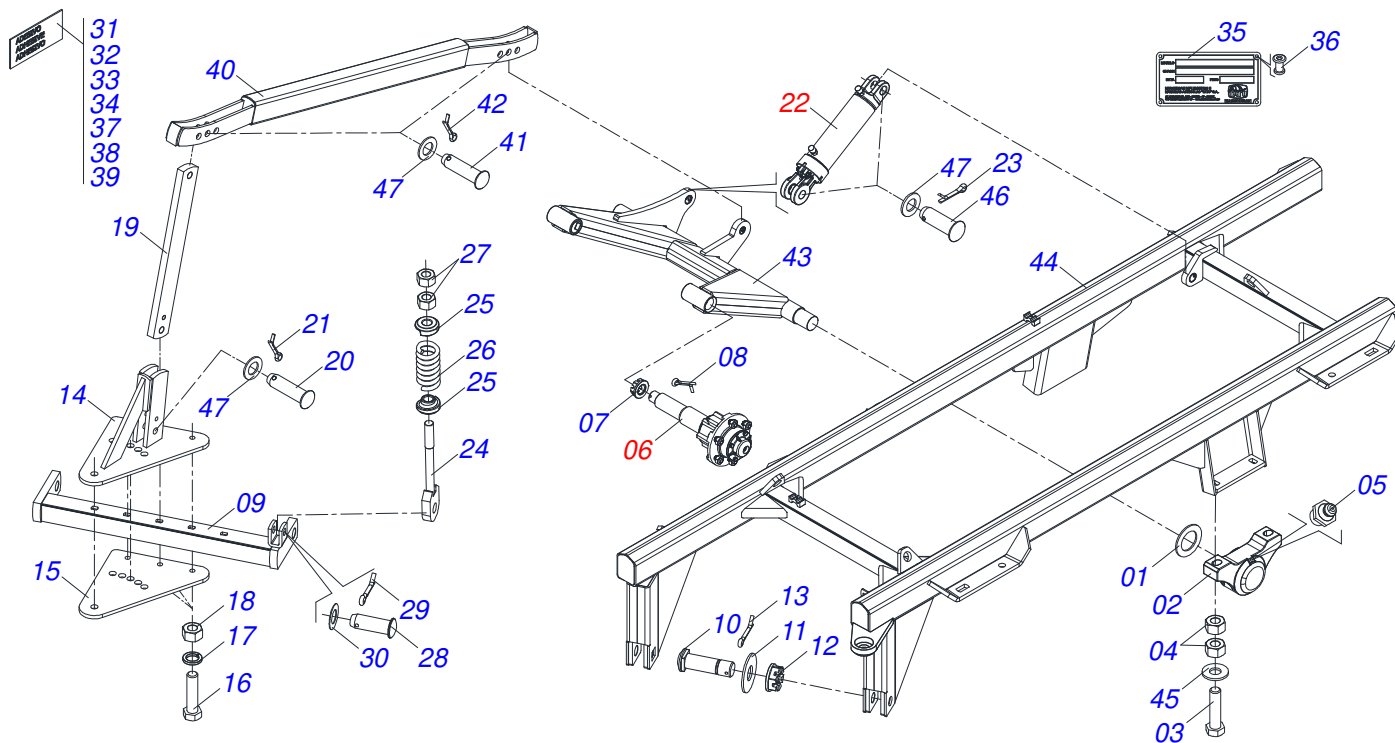
Item	Code	Description	See page	QT
01	0501017579	FLAT WASHER		02
02	0501110856	ARTICULATION BEARING		02
03	0503010797	3/4" X 4" BOLT		04
04	0503010014	3/4" ZN G.5 (HEAVY) UNC HEX NUT		08
05	0501051634	STUB SHAFT HUB ASSY	5	02
06	0501011301	1.1/2" UNC 6FPP 2.5/16" NUT		02
07	0503010010	SPLIT PIN 1/4" X 2.1/2"		02
08	0501066262	OFFSET BAR		01
09	0521017538	11-1/2" X 5" COUPLING SHAFT		02
10	0511019880	FLAT WASHER		02
11	0501011301	1.1/2" UNC 6FPP 2.5/16" NUT		02
12	0503010010	SPLIT PIN 1/4" X 2.1/2"		02
13	0501066235	UPPER PLATE WITH SUPPORT		01
14	0511013000	UPPER /LOWER PLATE		01
15	0501010334	1" X 7" BOLT		05
16	0503011438	SPRING WASHER		05
17	0501010059	1.5/8 NUT		05
18	0511012972	STABILIZER BAR TOWER		01
19	0521010576	0.9" X 3.7" COUPLING SHAFT		01
20	0503010571	1/4" X 1.1/2" SPLIT PIN		01
21	0511059180	HYDRAULIC CYLINDER 50,80 X 101,60 X 515 X 203	8	01
22	0521012538	1.2" X 3.5" COUPLING SHAFT		02
23	0503010523	1/4" X 2" SPLIT PIN		02
24	0501064698	SPRING ROD		01
25	0502020392	SPRING SUPPORT		02
26	0503030441	12.7" X 5.7" X 0.5" SPRING		01
27	0501010059	1.5/8 NUT		02
28	0521010592	1.1" X 3.1" COUPLING SHAFT		01
29	0503010571	1/4" X 1.1/2" SPLIT PIN		01
30	0503060787	GAICR DECAL SET		01



FRAME ASSY

0521042604

Item	Code	Description	See page	QT
31	0503031827	LUBRICATE AND RETIGHTEN DAILY DECAL		01
32	0503031428	READ MANUAL DECAL		01
33	0503034003	61 X 118 SERIAL NUMBER TAG		01
34	0503010001	RIVET 3,2 X 5,5		04
35	0511066932	STABILIZER BAR		01
36	0521010575	C0.9" X 3.3" COUPLING SHAFT		02
37	0503010571	1/4" X 1.1/2" SPLIT PIN		02
38	0501065518	CARRYING-WHEELS		01
39	0501010322	20,50 X 46 X 4,00 ZN FLAT WASHER		04
40	0501065574	FRAME		01
41	0503010002	1800 GREASE FITTING		02
42	0501011445	FLAT WASHER		03



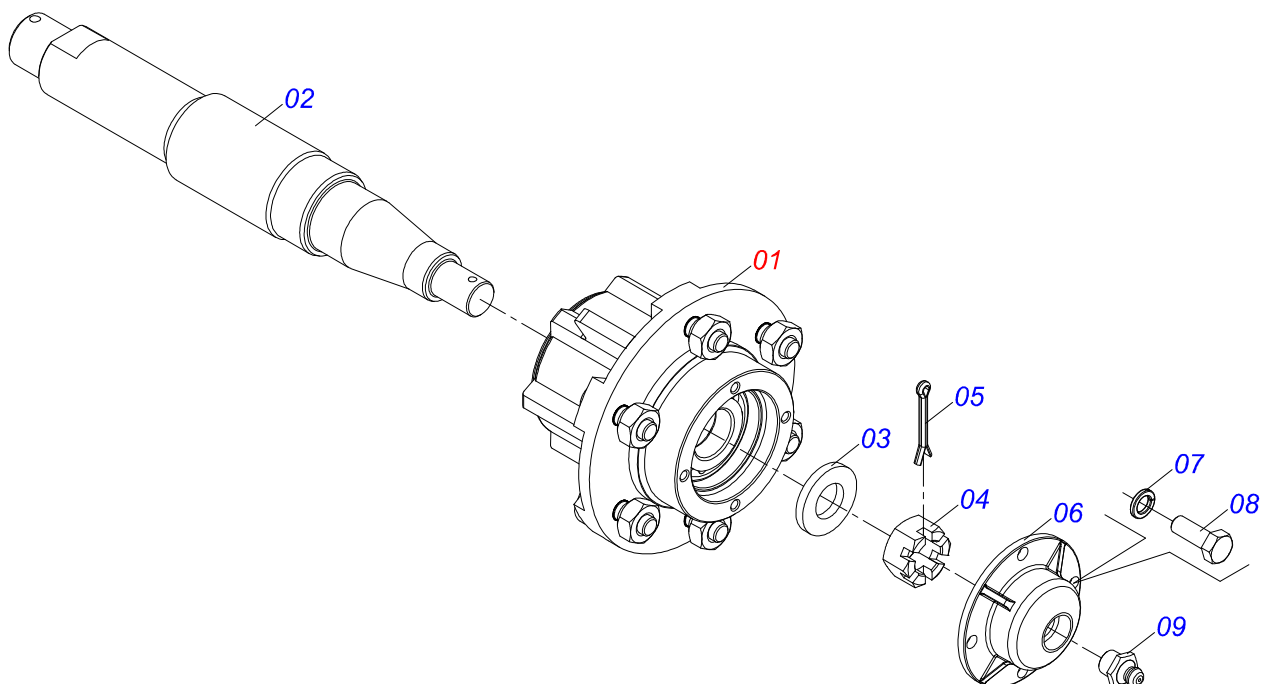
Item	Code	Description	See page	QT
01	0501017579	FLAT WASHER		02
02	0501110856	ARTICULATION BEARING		02
03	0503010797	3/4" X 4" BOLT		04
04	0503010014	3/4" ZN G.5 (HEAVY) UNC HEX NUT		08
05	0503010002	1800 GREASE FITTING		02
06	0501051634	STUB SHAFT HUB ASSY	5	02
07	0501011301	1.1/2" UNC 6FPP 2.5/16" NUT		02
08	0503010010	SPLIT PIN 1/4" X 2.1/2"		02
09	0501066262	OFFSET BAR		01
10	0521017538	11-1/2" X 5" COUPLING SHAFT		02
11	0511019880	FLAT WASHER		02
12	0501011301	1.1/2" UNC 6FPP 2.5/16" NUT		02
13	0503010010	SPLIT PIN 1/4" X 2.1/2"		02
14	0501066235	UPPER PLATE WITH SUPPORT		01
15	0511013000	UPPER /LOWER PLATE		01
16	0501010334	1" X 7" BOLT		05
17	0503011438	SPRING WASHER		05
18	0501010059	1.5/8 NUT		05
19	0511012972	STABILIZER BAR TOWER		01
20	0521010576	0.9" X 3.7" COUPLING SHAFT		01
21	0503010571	1/4" X 1.1/2" SPLIT PIN		01
22	0511059180	HYDRAULIC CYLINDER 50,80 X 101,60 X 515 X 203	8	01
23	0503010523	1/4" X 2" SPLIT PIN		02
24	0501064698	SPRING ROD		01
25	0502020392	SPRING SUPPORT		02
26	0503030441	12.7" X 5.7" X 0.5" SPRING		01
27	0501010059	1.5/8 NUT		02
28	0521010592	1.1" X 3.1" COUPLING SHAFT		01
29	0503010571	1/4" X 1.1/2" SPLIT PIN		01
30	0561011883	FLAT WASHER		01



FRAME ASSY

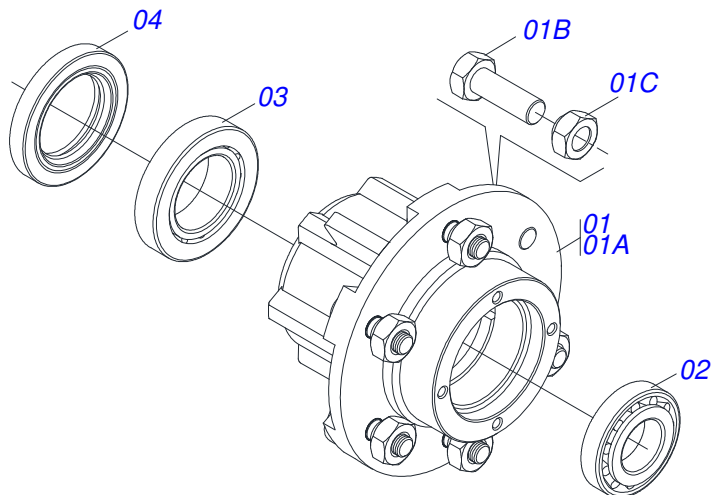
0521042608

Item	Code	Description	See page	QT
31	0503031087	AUTO CONTROL APPROVED DECAL		01
32	0503034078	LIFTING POINTS DECAL		04
33	0503031738	WARNING DECAL		01
34	0503033038	DANGER DECAL		01
35	0503034003	61 X 118 SERIAL NUMBER TAG		01
36	0503010001	RIVET 3,2 X 5,5		04
37	0503060787	GAICR DECAL SET		01
38	0503031827	LUBRICATE AND RETIGHTEN DAILY DECAL		01
39	0503031428	READ MANUAL DECAL		01
40	0511066932	STABILIZER BAR		01
41	0521010575	C0.9" X 3.3" COUPLING SHAFT		02
42	0503010571	1/4" X 1.1/2" SPLIT PIN		02
43	0501065518	CARRYING-WHEELS		01
44	0501064754	FRAME		01
45	0501010322	20,50 X 46 X 4,00 ZN FLAT WASHER		04
46	0521012538	1.2" X 3.5" COUPLING SHAFT		02
47	0501011445	FLAT WASHER		03

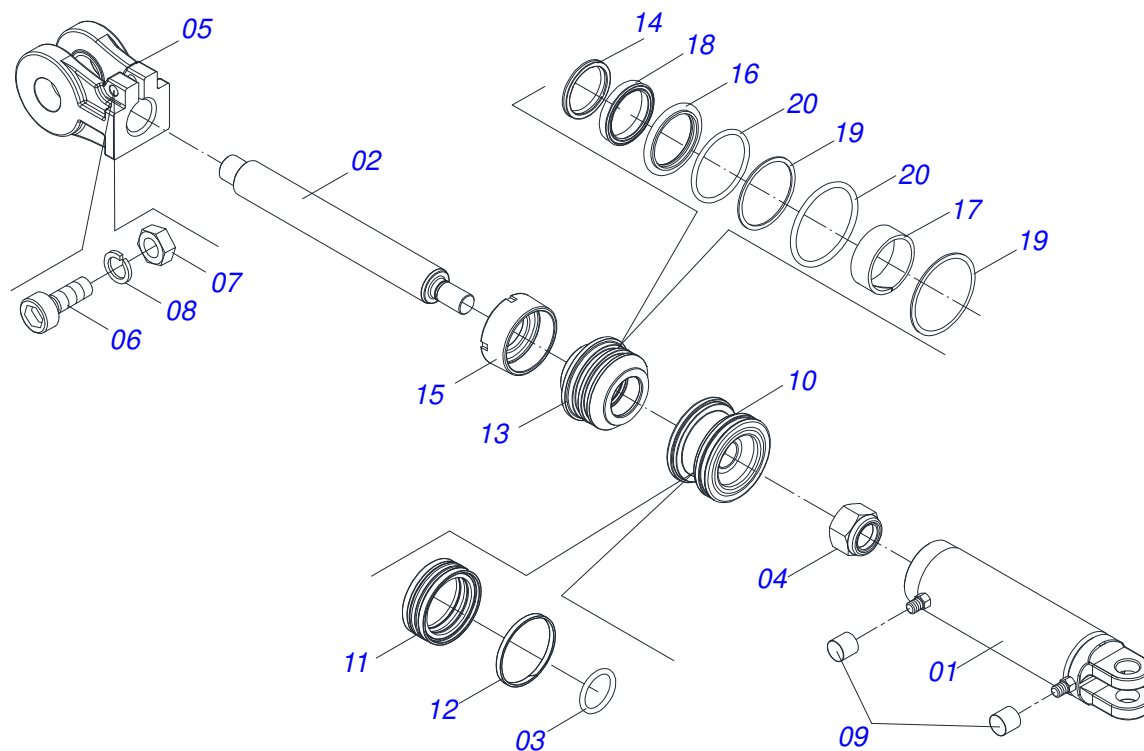


Item	Code	Description	See page	QT
01	0501051142	CARRYING WHEEL HUB	6	01
02	0521010821	2.5" X 16.5" AXLE		01
03	0501016545	FLAT WASHER		01
04	0503030009	1" CASTLE NUT		01
05	0503010018	5/32" X 1-1/2" SPLIT PIN		01
06	0502020591	PROTECCION COVER		01
07	0503011444	SPRING WASHER 5/16"		04
08	0503010358	5/16" X 5/8" BOLT		04
09	0503010002	1800 GREASE FITTING		01

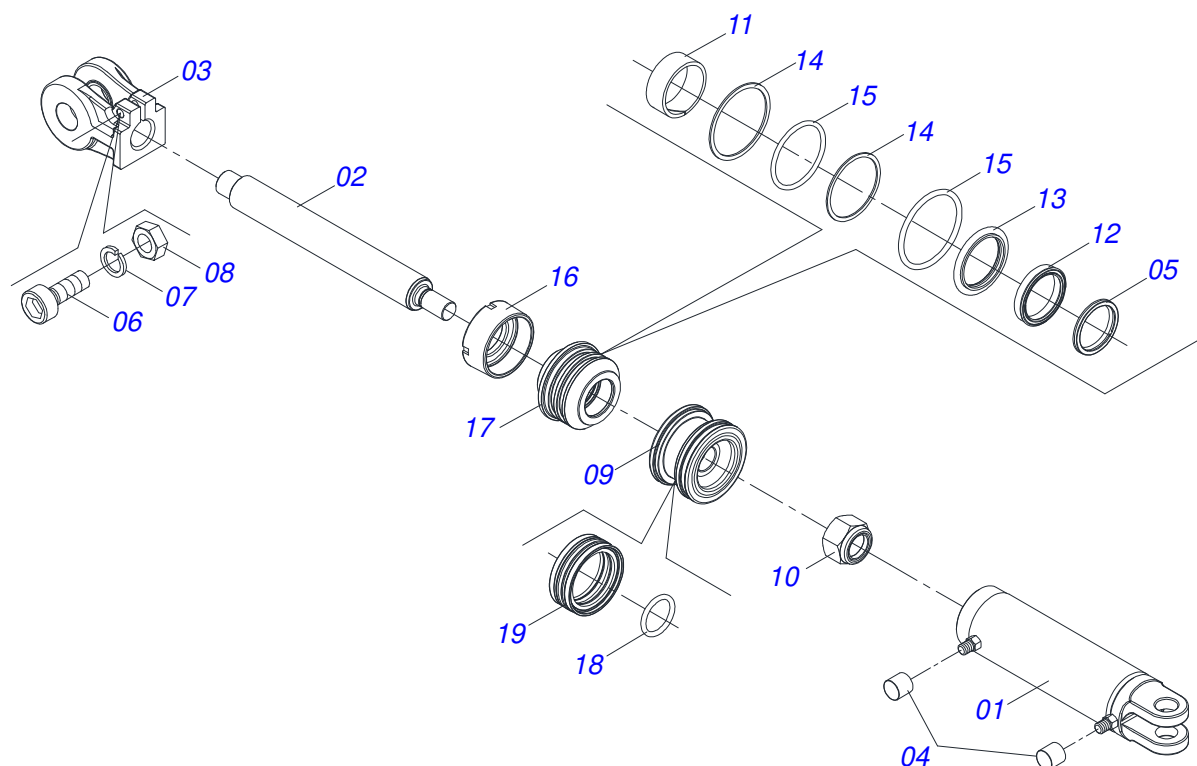
CARRYING WHEEL HUB



Item	Code	Description	See page	QT
01	0501110728	WHEEL HUB		01
01A	0502011121	CARRYING WHEEL HUB		01
01B	0501010127	9/16" X 1-7/8" LUG BOLT		06
01C	0503010035	9/16" CONIC NUT		06
02	0503010037	30207 ROLLER BEARING		01
03	0503010006	32210 ROLLER BEARING		01
04	0503012928	SEAL		01

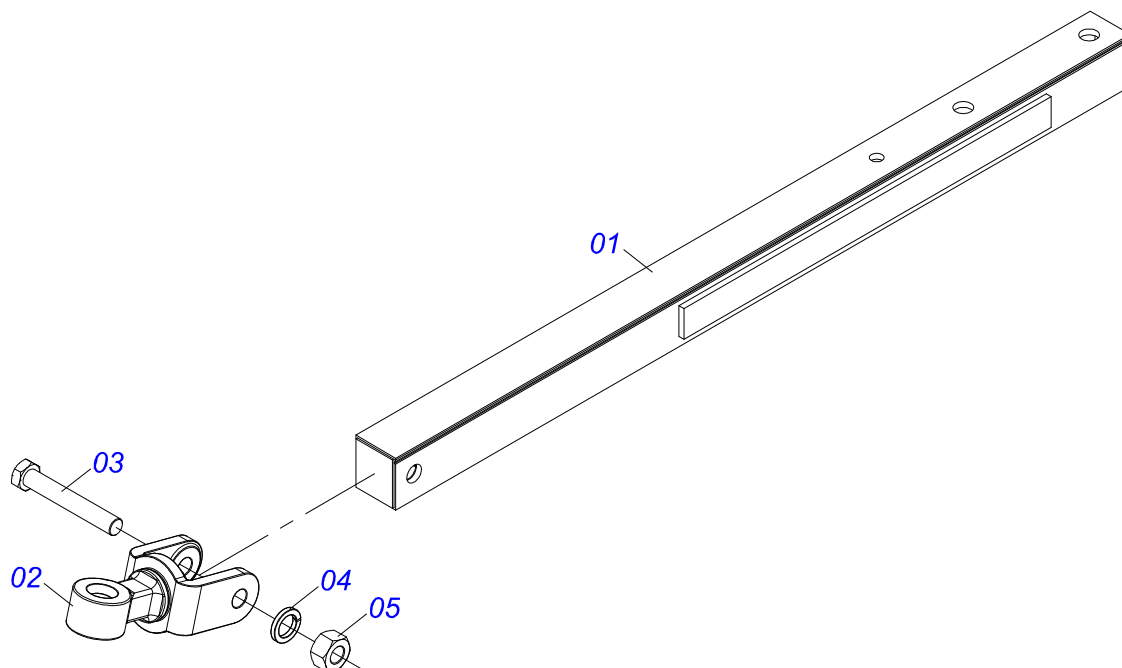


Item	Code	Description	See page	QT
01	0511061588	3.4" X 16" CYLINDER CASE		01
02	0521010421	HYDRAULIC CYLINDER TURNBUCKLE		01
03	0503010042	2-214 N 3006-9B O'RING		01
04	0503010063	1" SELF-ALIGNING NUT		01
05	0502040747	32.54 CLEVIS CLAMP		01
06	0503011094	BOLT 3/8" UNC X 2" C C S I 12.9		01
07	0503010026	3/8" NUT		01
08	0503010025	3/8 SPRING WASHER		01
09	0503030385	CYLINDER PLUG N-002		02
10	0571019710	1.7" X 3.4" PISTON		01
11	0503017935	RING		01
12	0503018144	RING		01
13	0571019711	RING SUPPORT		01
14	0503010761	D-1750 SCRAPER RING		01
15	0571019709	DETACHABLE COVER		01
16	0503017936	RING		01
17	0503017938	RING GUIDE		01
18	0503017937	GASKET		01
19	0503017940	8-337 BACK-UP RING		02
20	0503017939	2-337 N 3006-9B O' RING		02

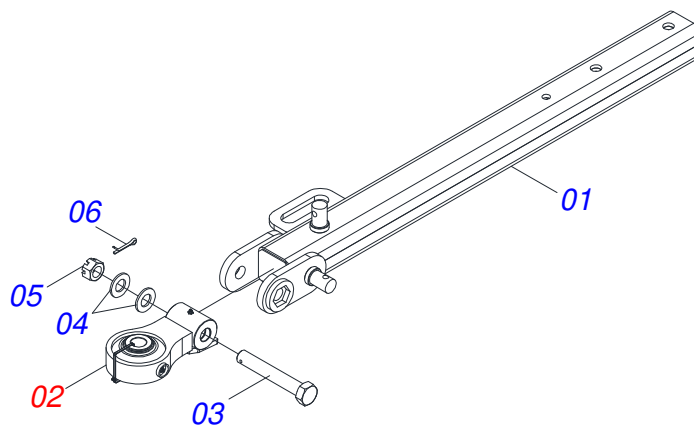


Item	Code	Description	See page	QT
01	0511070658	CYLINDER CASE		01
02	0571019958	HYDRAULIC CYLINDER TURNBUCKLE		01
03	0502040747	32.54 CLEVIS CLAMP		01
04	0503030385	CYLINDER PLUG N-002		02
05	0503010039	D-2000 SCRAPER RING		01
06	0503011094	BOLT 3/8" UNC X 2" C C S I 12.9		01
07	0503011443	SPRING WASHER 3/8"		01
08	0503010026	3/8" NUT		01
09	0502012820	2" X 4" PISTON		01
10	0503010817	SELF LOCKING NUT 1.1/4 UNF ALTA G.5 ZN		01
11	0503018025	RING GUIDE W2-2250-750		01
12	0503018026	GASKET 1870-2000-375 B POLYMAX		01
13	0503018024	RING BS OD050805200171D-BR		01
14	0503010338	2-342 N 3006-9B O'RING		02
15	0503011061	8-342 BACK-UP RING		02
16	0502012822	END CAP 4"		01
17	0502012821	2" X 4" RING SUPPORT		01
18	0503018029	O'RING 2-217 N 3006 90B		01
19	0503015633	SELEMASTER SEALING		01

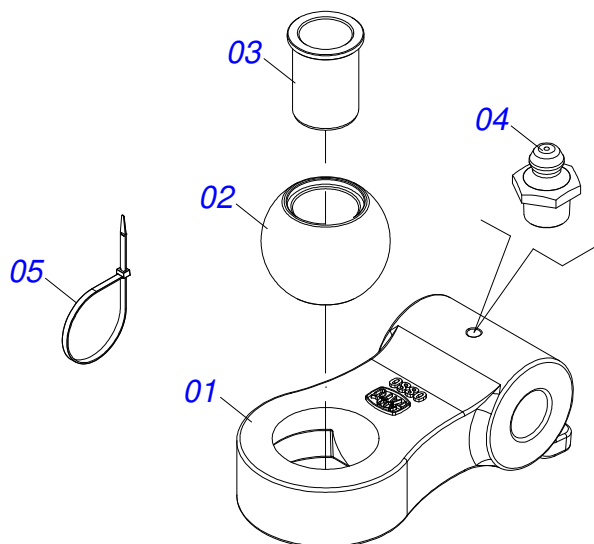
DRAWBAR ASSY



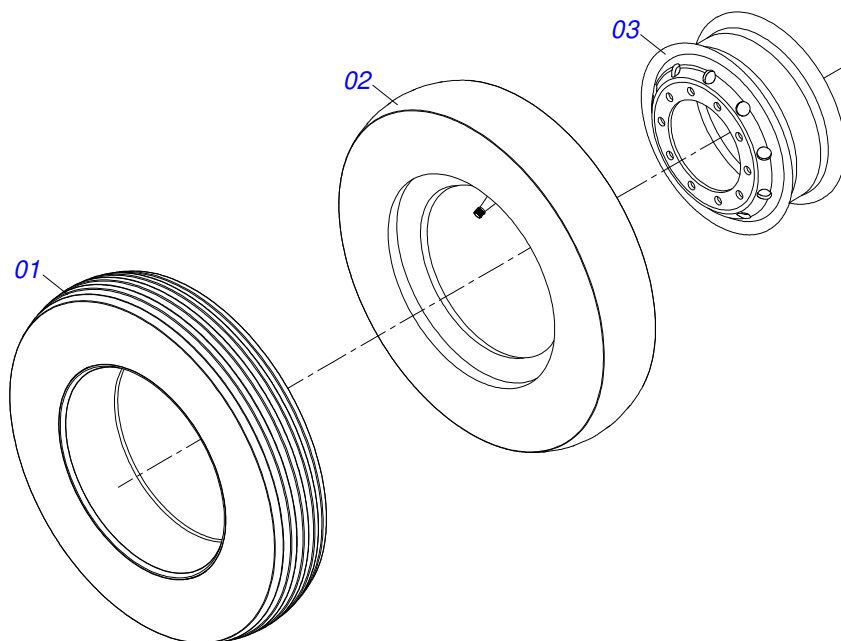
Item	Code	Description	See page	QT
01	0501060188	DRAWBAR ASSY		01
02	0521061775	TRACTOR HITCH		01
03	0501010060	1" X 6-1/2" BOLT		01
04	0503011438	SPRING WASHER		01
05	0501010059	1.5/8 NUT		01



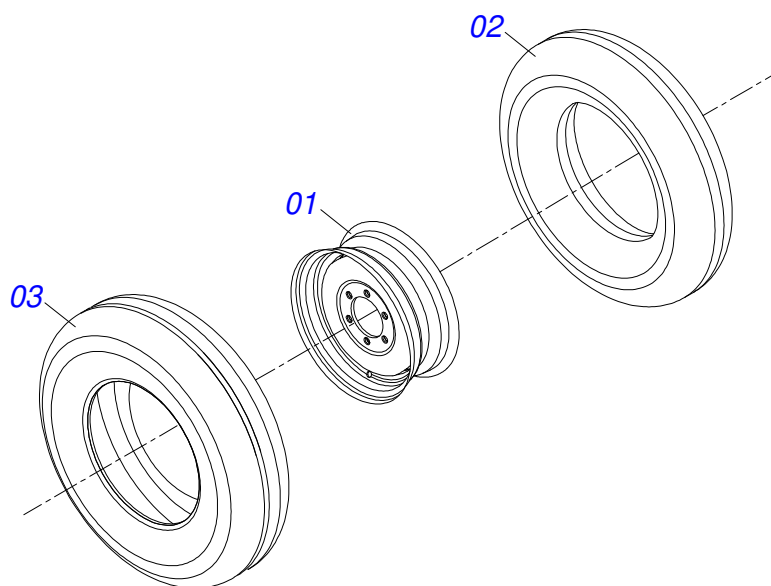
Item	Code	Description	See page	QT
01	0521069165	DRAWBAR		01
02	0521057520	HITCH ASSY	11	01
03	0581015973	1.1/4 UNC X 8 C S G5 SCREW		01
04	0501017779	FLAT WASHER 32 X 60 X 4,75		02
05	0503013026	1.1/4" CASTLE NUT		01
06	0503010010	SPLIT PIN 1/4" X 2.1/2"		01



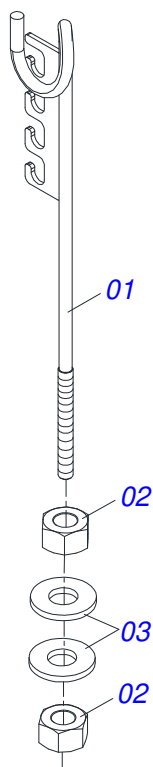
Item	Code	Description	See page	QT
01	0502040880	HITCH BODY		01
02	0502040885	BODY ATTACHMENT		01
03	0591012511	SLEEVE		01
04	0503010002	1800 GREASE FITTING		01
05	0503018829	NYLON CLAMP 7,8 X 1,8 X 390 MM		01



Item	Code	Description	See page	QT
01	0503010065	CANVAS TIRE		01
02	0503010068	6.00 X 16 INNER TIRE		01
03	0503010894	0.2"X0.6"X4.6"X6F0.6"X6" WHEEL		01

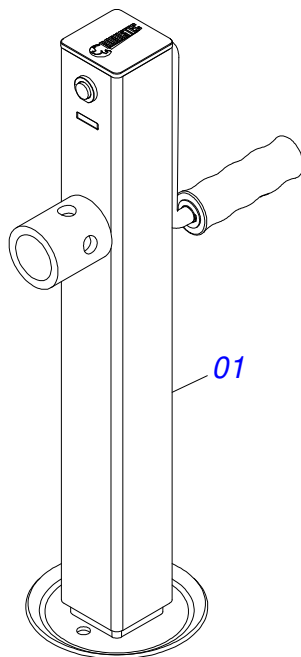


Item	Code	Description	See page	QT
01	0503010893	WHEEL		01
02	0503010033	7.50 X 16 INNER TIRE		01
03	0503010120	CANVAS TIRE		01

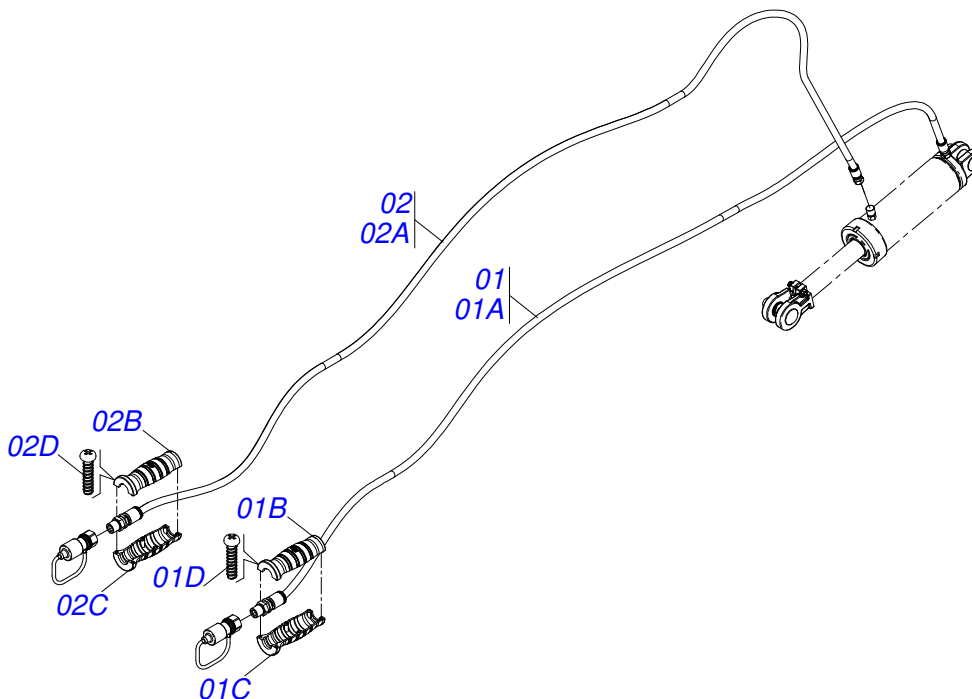


Item	Code	Description	See page	QT
01	0511067334	HOSE SUPPORT		01
02	0503010014	3/4" ZN G.5 (HEAVY) UNC HEX NUT		02
03	0501010322	20,50 X 46 X 4,00 ZN FLAT WASHER		02

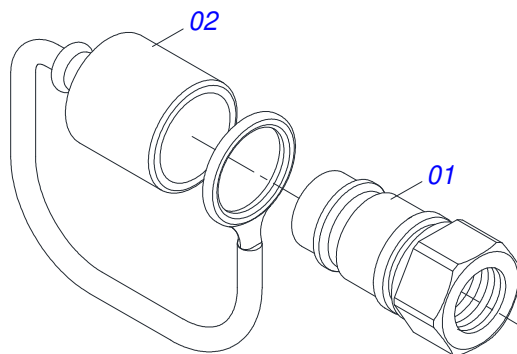
DRAWBAR JACK



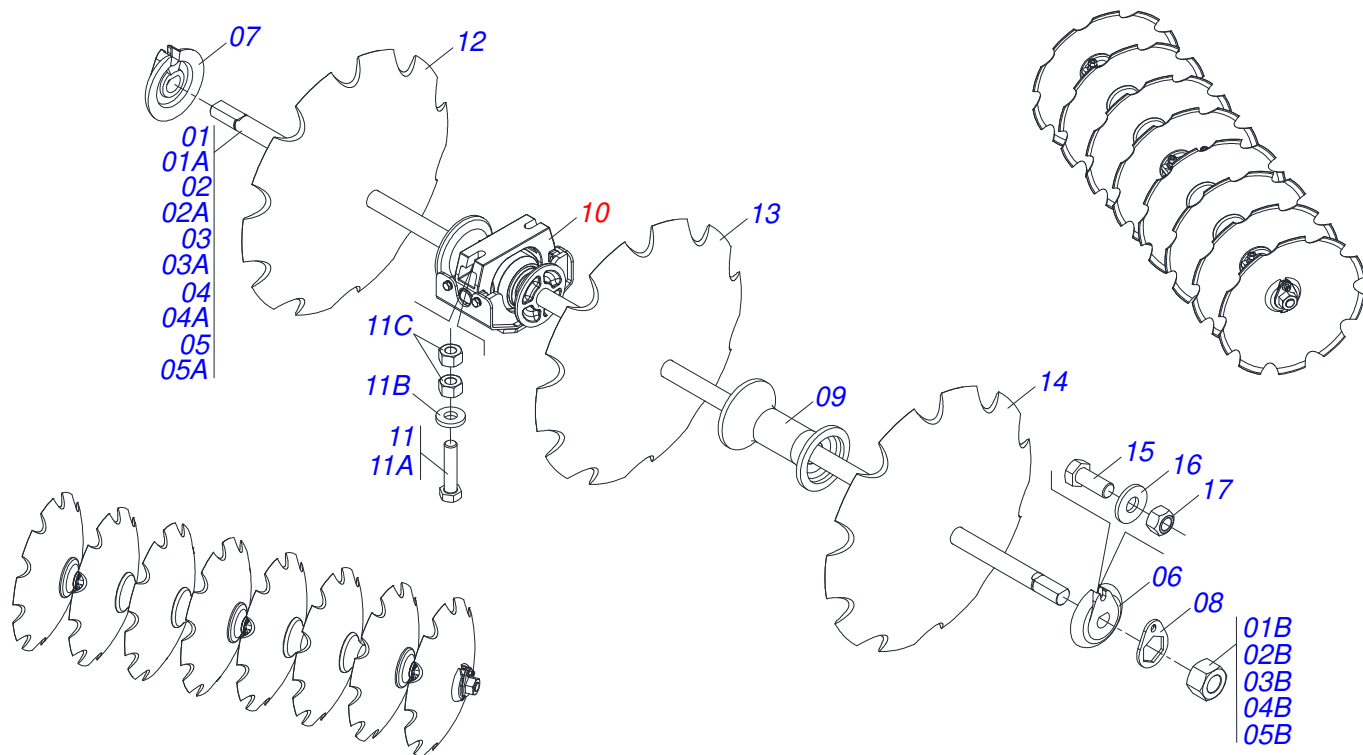
Item	Code	Description	See page	QT
01	0503062157	DRAWBAR JACK	15	01



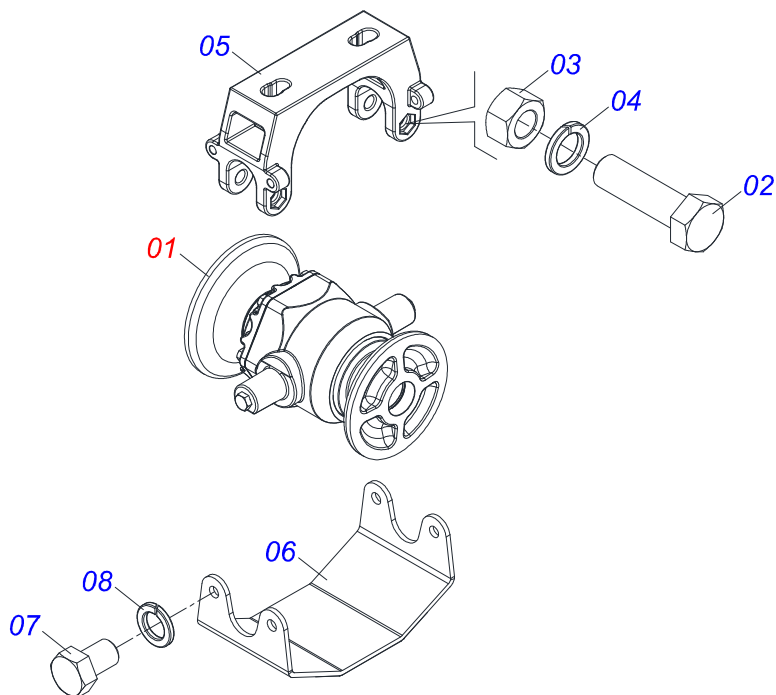
Item	Code	Description	See page	QT
01	0521056233	3/8" X 236.22" TR-TM BLACK/RED HOSE		01
01A	0501080443	3/8" X 236.22" TR-TM HOSE		01
01B	0503034495	HYDRAULIC HOSE GRIP (RED)		01
01C	0503034492	HYDRAULIC HOSE GRIP (BLACK)		01
01D	0503018952	PH 2,5 X 10 ZB PLASTIC BOLT		06
02	0521055893	3/8" X 230" TR-TM BLACK/BLUE HOSE		01
02A	0501080421	3/8" X 230" TR-TM HOSE		01
02B	0503034492	HYDRAULIC HOSE GRIP (BLACK)		01
02C	0503034494	HYDRAULIC HOSE GRIP (BLUE)		01
02D	0503018952	PH 2,5 X 10 ZB PLASTIC BOLT		06



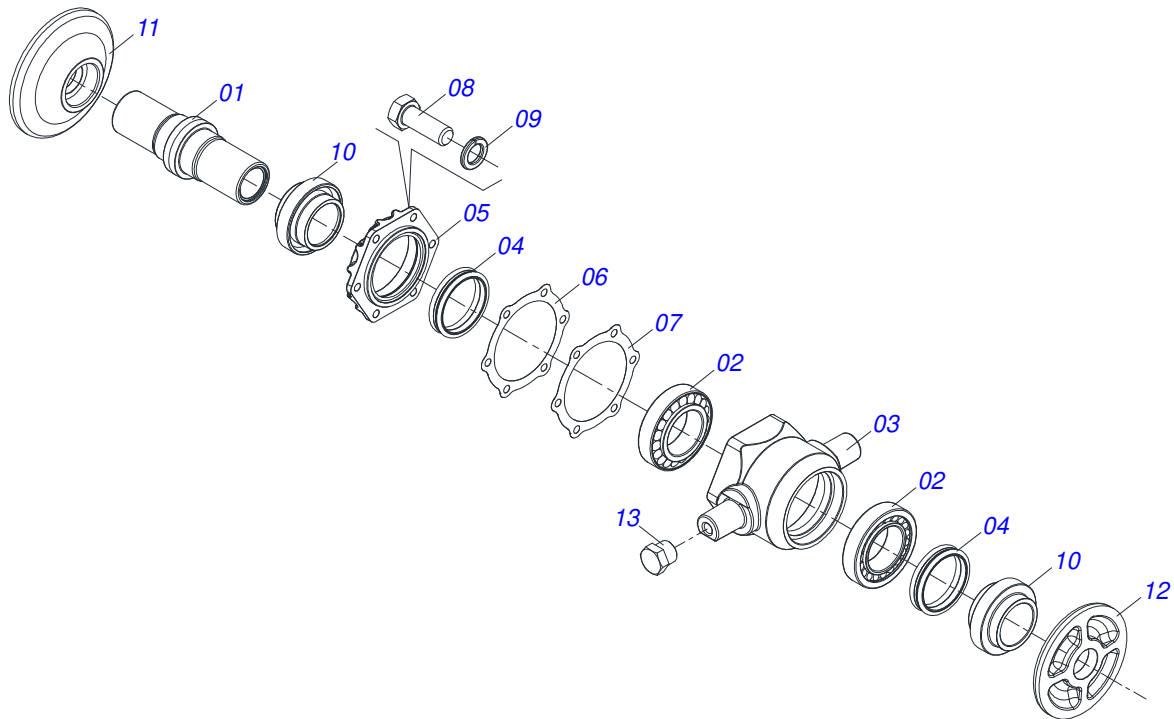
Item	Code	Description	See page	QT
01	0503011627	MALE QUICK COUPLER AGR 1/2 NPT		01
02	0503011882	MALE QUICK COUPLER CAP		01



Item	Code	Description	See page	014	016	018	020	024	028
01	0501046859	1-5/8" X 70" AXLE WITH NUTS 2-3/4"		002	000	000	000	000	004
01A	0501015631	1-5/8" X 70" AXLE		001	000	000	000	000	001
01B	0502040640	1.5/8" 2.3/4" NUT		002	000	000	000	000	002
02	0501046861	1-5/8" X 80" AXLE WITH NUTS 2-3/4"		000	002	000	000	000	000
02A	0501019015	1-5/8 X 80" AXLE		000	001	000	000	000	000
02B	0502040640	1.5/8" 2.3/4" NUT		000	002	000	000	000	000
03	0501046811	1-5/8" X 38" AXLE WITH NUTS 2-3/4"		000	000	002	000	000	000
03A	0501019013	1-5/8" X 38" AXLE		000	000	001	000	000	000
03B	0502040640	1.5/8" 2.3/4" NUT		000	000	002	000	000	000
04	0501046854	1-5/8" X 48" AXLE WITH NUTS 2-3/4"		000	000	002	004	000	000
04A	0501019016	1-5/8 X 48" AXLE		000	000	001	001	000	000
04B	0502040640	1.5/8" 2.3/4" NUT		000	000	002	002	000	000
05	0501046856	1-5/8" X 59" AXLE WITH NUTS 2-3/4"		000	000	000	000	004	000
05A	0501019012	1-5/8" X 59" AXLE		000	000	000	000	001	000
05B	0502040640	1.5/8" 2.3/4" NUT		000	000	000	000	002	000
06	0502011048	1-5/8" EXTERNAL AXLE WASHER		002	002	004	004	004	004
07	0502011047	1-5/8" INNER AXLE WASHER		002	002	004	004	004	004
08	0511014339	1-5/8" 2.8" NUT LOCK		004	004	008	008	008	008
09	0502010703	10.35" 1-5/8" SPACER		008	008	006	008	012	016
10	0511048375	DMO 262 X 1.5/8 AGRICULTURAL BEARING ASSY	19	004	006	008	008	008	008
11	0521047424	SCREW ASSY		008	012	016	016	016	016
11A	0501010500	3/4" X 3" BOLT		008	012	016	016	016	016
11B	0501010322	20,50 X 46 X 4,00 ZN FLAT WASHER		008	012	016	016	016	016
11C	0503012183	SNC 3/4" ZIN 1K03097 NUT		016	024	032	032	032	032
12	0602037004	DR 28 X 6,00 C102AF04FR1.11/16 10R		014	016	018	020	024	028
13	0602037154	DR 28 X 6,00 C110AF02FR1.11/16 10R		014	016	018	020	024	028
14	0602037006	DR 28 X 7,50 C102AF04FR1.11/16 10R		014	016	018	020	024	028
15	0503010232	5/8" X 1.3/4" BOLT		004	004	008	008	008	008
16	0501012140	FLAT WASHER 16,50 X 40 X 4,00 ZN		004	004	008	008	008	008
17	0503012412	5/8" UNC SELF LOCKING NUT		004	004	008	008	008	008



Item	Code	Description	See page	QT
01	0501059733	DMO 262 X 1.5/8 AGRICULTURAL BEARING	20	01
02	0503010762	SCREW 5/8 UNC X 3.1/2 CS G.5 ZN		02
03	0503010013	5/8" UNC G.5 ZN HEX NUT		02
04	0503010027	5/8 SPRING WASHER		02
05	0502012626	CENTER OSCILLATING BEARING SUPPORT		01
06	0501213922	BEARING LID		01
07	0503010834	1/2 X 1 BOLT		04
08	0503010019	1/2" SPRING WASHER		04



Item	Code	Description	See page	QT
01	0502010900	BEARING AXLE		01
02	0503010005	32212 ROLLER BEARING		02
03	0502020691	BEARING HUB		01
04	0503030027	DUO-CONE SEAL		02
05	0502020161	WEAR PLATE BEARING		01
06	0503030030	5.6" X 4.4" X 0.01" GASKET		02
07	0503030685	5.5" X 4.4" X 0.003" GASKET		01
08	0503010237	3/8" X 1" BOLT		06
09	0503011443	SPRING WASHER 3/8"		06
10	0502010735	SEAL RETAINER		02
11	0502040239	OUTER FLANGE		01
12	0502040240	INNER FLANGE		01
13	0503010856	OIL PLUG R 3/8 BSPT		02



MARCHESAN

Technical Publications | Elaboration and Revision
LEONARDO JOSÉ DA SILVA SOUZA

www.marchesan.com.br

