

**PCA - AGRICULTURAL FRONT LOADER**

**PCA 1200 NH 7010/40-4 BT-SC-MX 150**

**Code:** 0501093111

**Series:** S-0708

**Revision:** 00

**Date Revision:** MAIO/2022

# **PARTS CATALOGUE**



**MARCHESAN**



# PRODUCTS

Code	Description
0106111071	PCA 1200 NH 7010/40-4 BT SC / MX150 S708

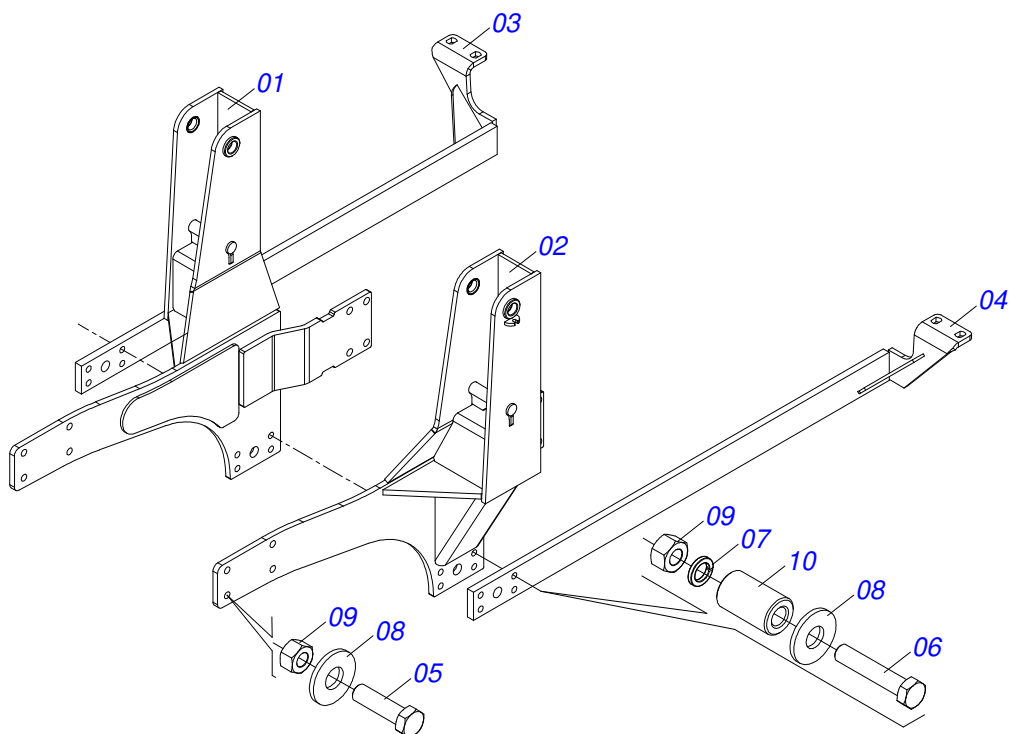
## ATTENTION: IMPORTANT

Marchesan S.A. reserves the right to improve and/or modify the technical features of its products, without obligation to do the same with those products already sold and without prior knowledge of the dealer or the consumer. The photos are only illustrative.

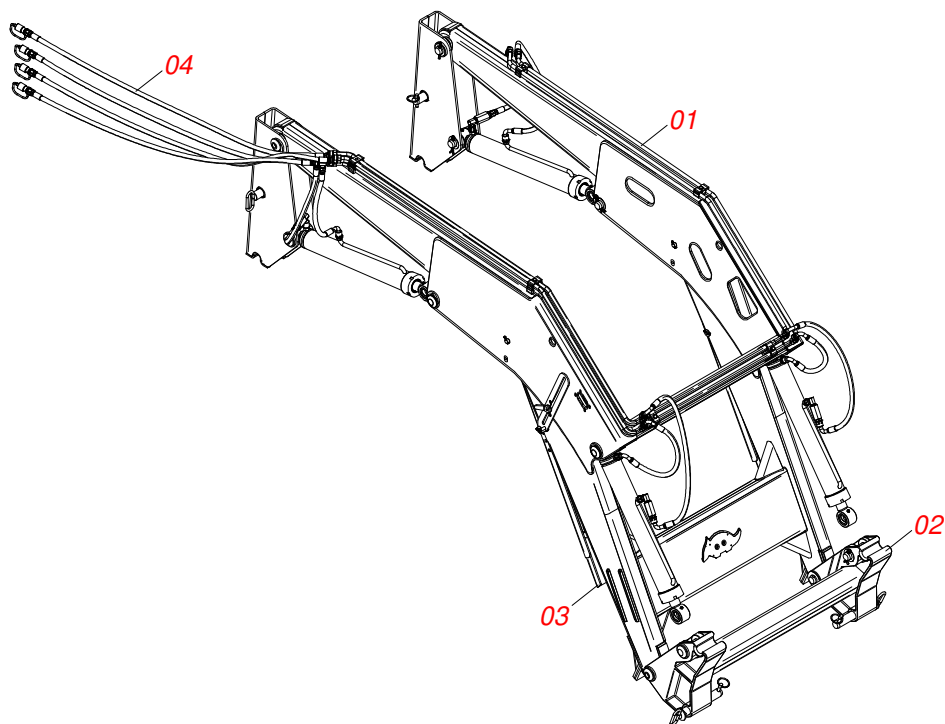


# INDEX

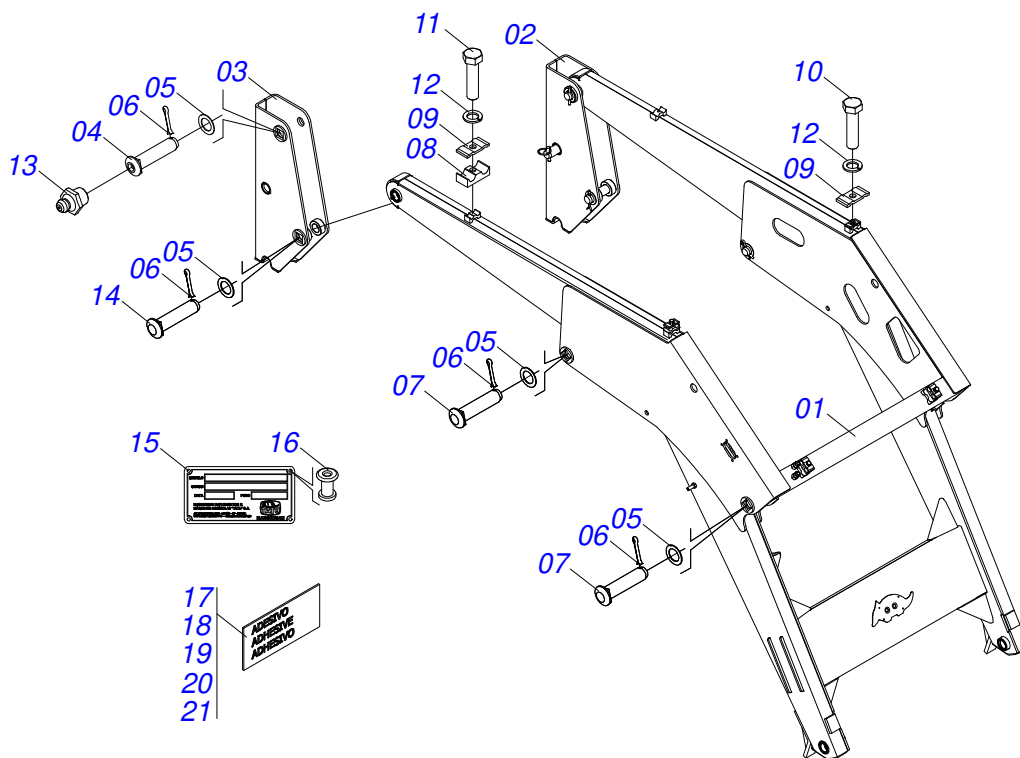
0521045821	CHASSIS SET WITH REAR BAR	.....	1
0511046531	FULL MOBILE SUPPORT	.....	2
0909093573	MOBILE SUPPORT GUIDE ASSY	.....	3
0909093580	ARTICULATION	.....	4
0909098581	SUPPORT ASSEMBLE	.....	5
0909093594	SYSTEM HYDRAULIC	.....	6
0511057976	HYDRAULIC CYLINDER	.....	7
0511057975	HYDRAULIC CYLINDER	.....	8
0511057771	R.7/8UNF - SAFETY VALVE	.....	9
0501053834	MALE QUICK COUPLER	.....	10
0511045185	2600MM DOZER BLADE ASSY	.....	11
0511024166	BOX WITH COMPONENTS	.....	12
0501041849	ASSY 1.1/4 NC X 910 ROD	.....	13
0501036436	BAG PACKED PIECES	.....	14



Item	Code	Description	See page	QT
001	0521060355	BT RIGHT CHASSIS		01
002	0521060356	LEFT CHASSIS		01
003	0521066006	REAR RIGHT CHASSIS		01
004	0521066007	REAR LEFT CHASSIS		01
005	0503011084	3/4" X 5" BOLT		04
006	0501010500	3/4"X3"BOLT		02
007	0503010023	3/4" SPRING WASHER		04
008	0501010322	FLAT WASHER		06
009	0503010014	3/4" NUT		06
010	0581015170	SLEEVE		04

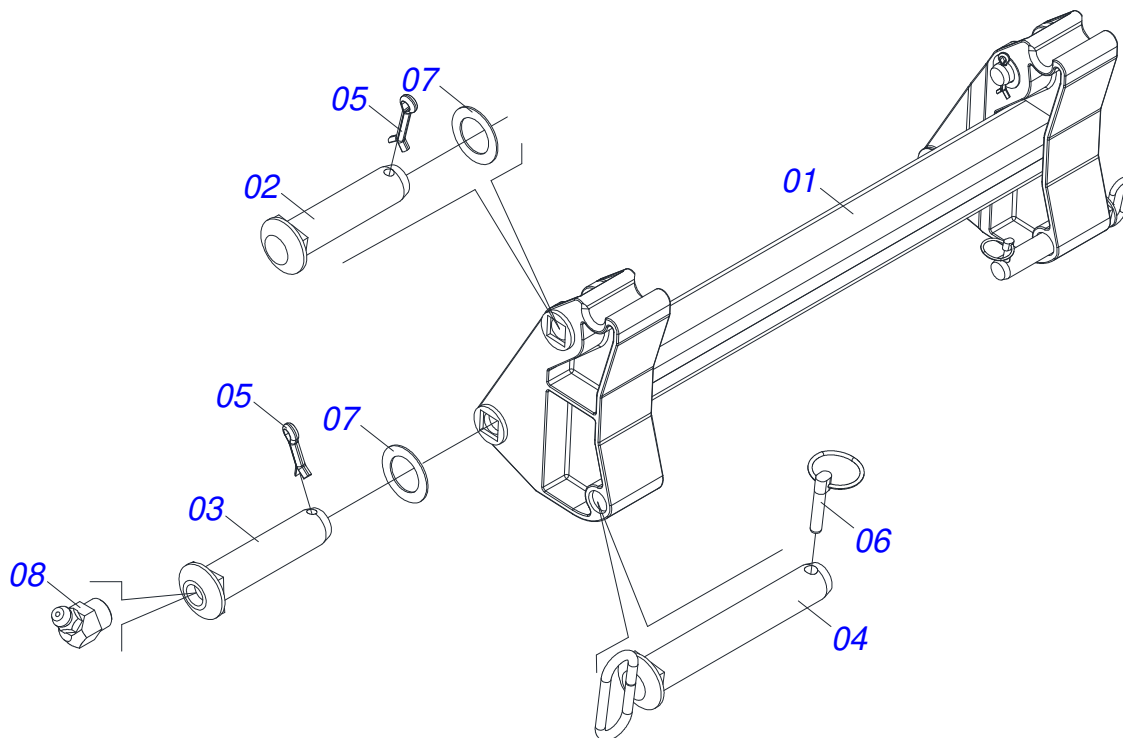


Item	Code	Description	See page	QT
01	0909093573	MOBILE SUPPORT GUIDE ASSY	3	01
02	0909093580	ARTICULATION	4	01
03	0909098581	SUPPORT ASSEMBLE	5	01
04	0909093594	SYSTEM HYDRAULIC	6	01

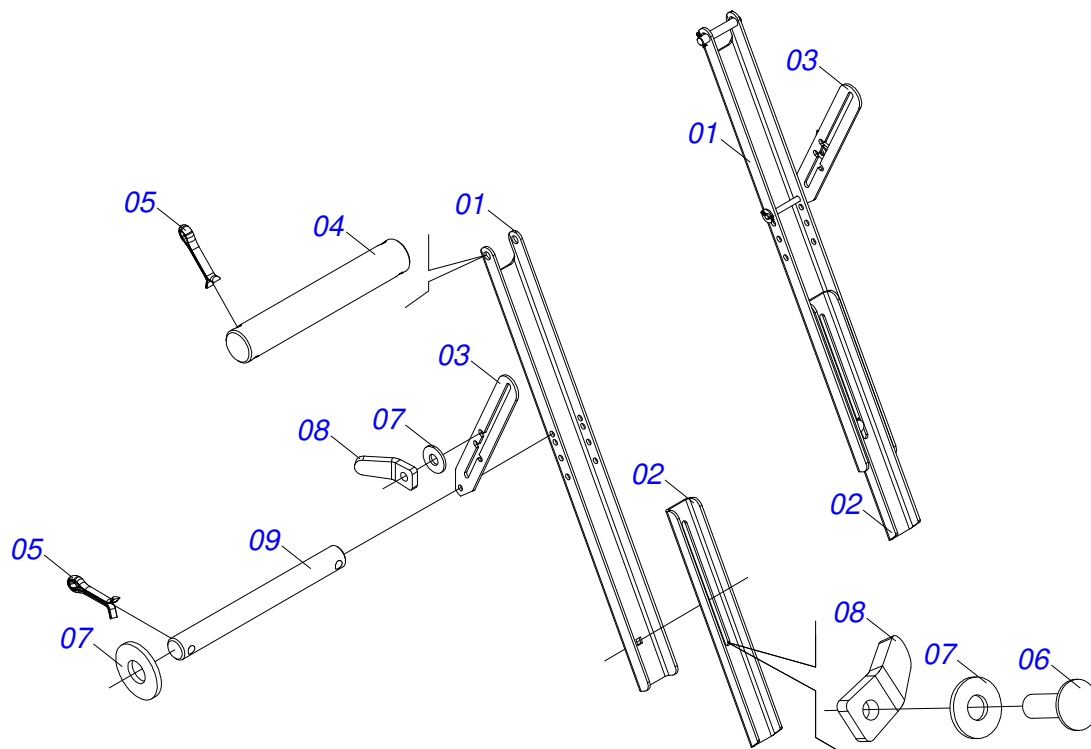


Item	Code	Description	See page	QT
01	0511069377	MOBILE SUPPORT		01
02	0511069379	MOBILE TOWER, RIGHT		01
03	0511069380	MOBILE TOWER, LEFT		01
04	0521012870	1.46" X 6.18" PIVOT SHAFT		02
05	0511019685	FLAT WASHER		06
06	0503010534	3/8 X 2-1/2 COTTERPIN		06
07	0521012868	1.4" X 5" PIVOT SHAFT		04
08	0502010477	HOSE CLAMP		04
09	0531011180	UPPER BODY CLIP		06
10	0503011102	BOLT 7/16 UNC X 1.1/4 C S G.5 ZN		02
11	0503012555	SCREW 7/16 UNC X 2 CS RT G.7 ZN		04
12	0503010180	7/16" SPRING WASHER		06
13	0503010002	1800 GREASE FITTING		02
14	0521012869	COUPLING SHAFT		02
15	0503034003	SERIAL NUMBER TAG 61 X 118		01
16	0503010001	3.2 X 5.5 RIVET		04
17	0503062240	ADHESIVE LABELS SET		01
18	0503031087	ADHESIVE LABEL		01
19	0503031428	READ MANUAL DECAL		01
20	0503031827	LUBRICATE AND RETIGHTEN DAILY DECAL		01
21	0503034078	LIFTING POINTS DECAL		03

ARTICULATION

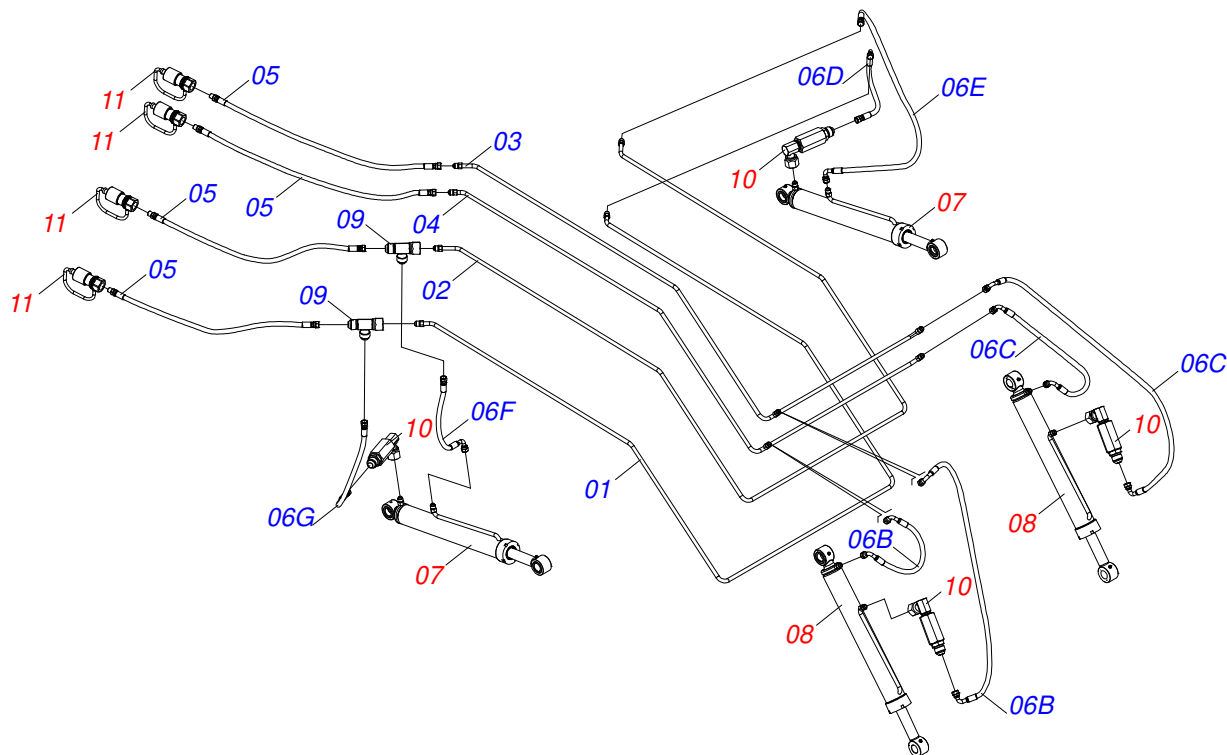


Item	Code	Description	See page	QT
01	0501069939	PIVOT SUPPORT		01
02	0521012869	COUPLING SHAFT		02
03	0521012870	1.46" X 6.18" PIVOT SHAFT		02
04	0521066515	37,20 X 240 ARTICULATION SHAFT WITH HANDLE		02
05	0503010534	3/8 X 2-1/2 COTTERPIN		04
06	0503030430	7/16 X 2" PIN LOCK		02
07	0511019685	FLAT WASHER		04
08	0503010003	1845 GREASE FITTING		02

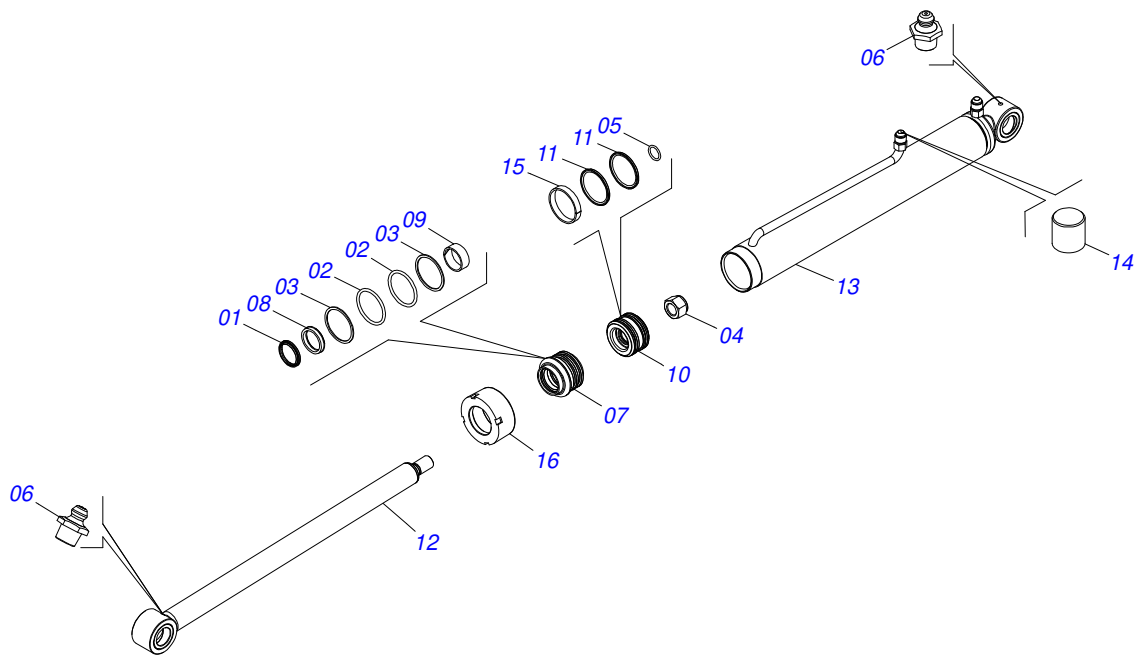


Item	Code	Description	See page	QT
01	0561016401	PLOUGH SUPPORT BODY	02	
02	0561016619	COMPLEMENTON REST	02	
03	0511019634	CONTROL LOCK	02	
04	0511013598	3/4" X 4.7" COUPLING SHAFT	02	
05	0503010071	3/16" X 1" COTTERPIN	06	
06	0503014378	1/2" X 1-1/2" BOLT	02	
07	0511017302	FLAT WASHER	06	
08	0561016329	LATCH HOLDER REST PCA	06	
09	0521012823	COUPLING SHAFT	02	

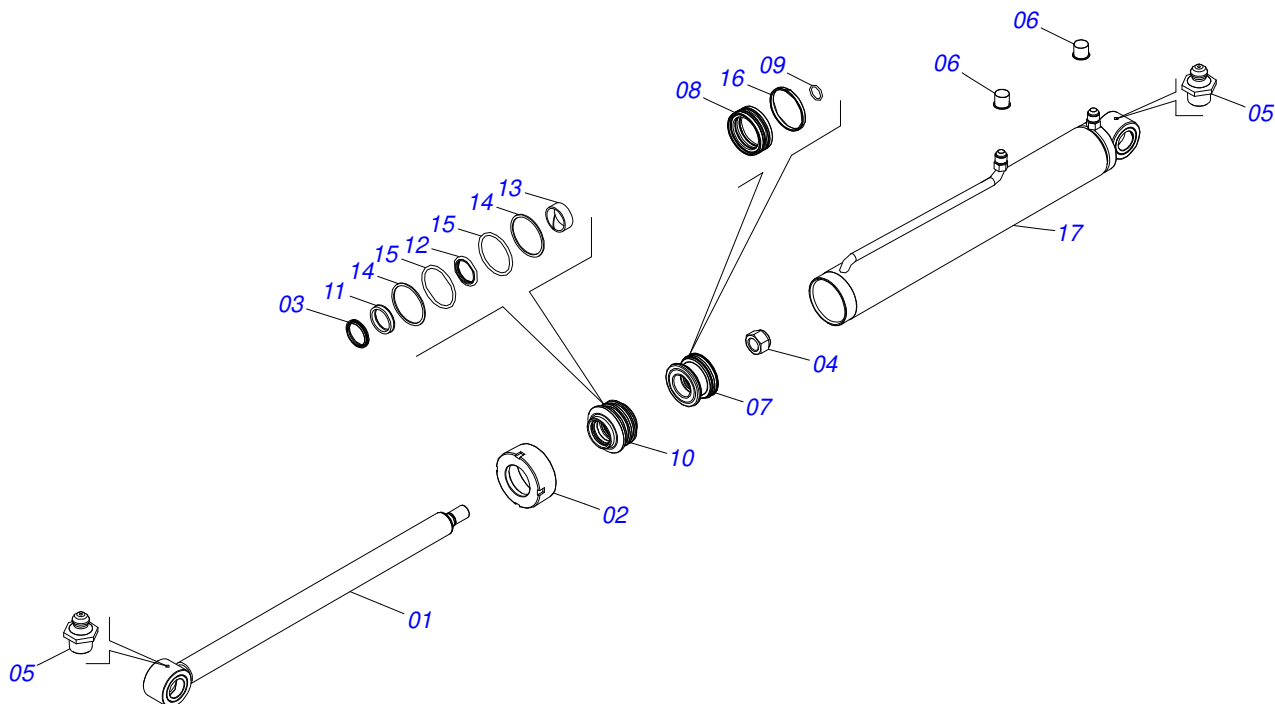




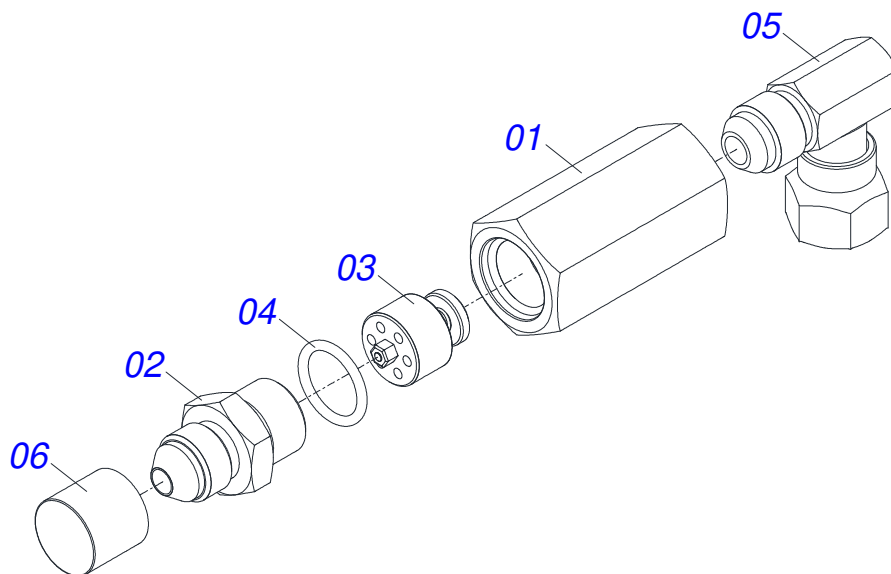
Item	Code	Description	See page	QT
01	0511069408	OUTER OIL TUBE		01
02	0511069409	INNER OIL TUBE		01
03	0511069648	OIL TUBE DISTRIBUTOR		01
04	0511069649	OIL TUBE DISTRIBUTOR		01
05	0501080001	1/2" X 177" TR-TM HOSE ASSY		04
06	0501057960	HOSE SET MOBILE SUPPORT		01
06A	0503033158	PLASTIC BAG		01
06B	0501081381	TC-TC HOSE		02
06C	0501081382	TC-TC HOSE		02
06D	0501081511	HOSE 1/2 X 700 TC-TC		01
06E	0501080123	1/2 X 800 TR-TC HOSE ASSY		01
06F	0501080092	1/2" X 700 TR-TC HOSE		01
06G	0501080109	1/2" X 800 TR-TR HOSE		01
07	0511057976	HYDRAULIC CYLINDER	7	02
08	0511057975	HYDRAULIC CYLINDER	8	02
09	0503012341	T 7/8" ADAPOR GIRAT NUT		02
10	0511057771	R.7/8UNF - SAFETY VALVE	9	04
11	0501053834	MALE QUICK COUPLER	10	04



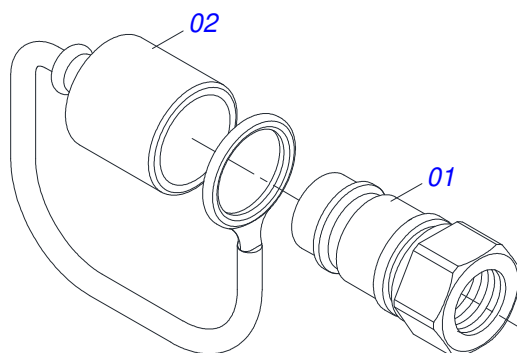
Item	Code	Description	See page	QT
01	0503010761	D-1750 SCRAPER RING		01
02	0503010343	2-334 N 3006-9B O'RING		02
03	0503011059	8-334 BACK-UP RING		02
04	0503010063	1" SELF-ALIGNING NUT		01
05	0503010042	2-214 N 3006-9B O'RING		01
06	0503010002	1800 GREASE FITTING		02
07	0581010301	RING SUPPORT		01
08	0503017937	GASKET		01
09	0503017938	RING GUIDE		01
10	0581010397	1.7" X 3.4" PISTON		01
11	0503018138	RING BS		02
12	0521066466	1.7" X 28.18" TURNBUCLE		01
13	0521066465	CYLINDER CASE 76,20 X 723		01
14	0503030387	PLUG		02
15	0503010992	W2-3000-500 PK RING G.E		01
16	0502011899	MOBILE COVER		01
17	0511033692	HYDRAULIC CYLINDER REPAIR KIT		01



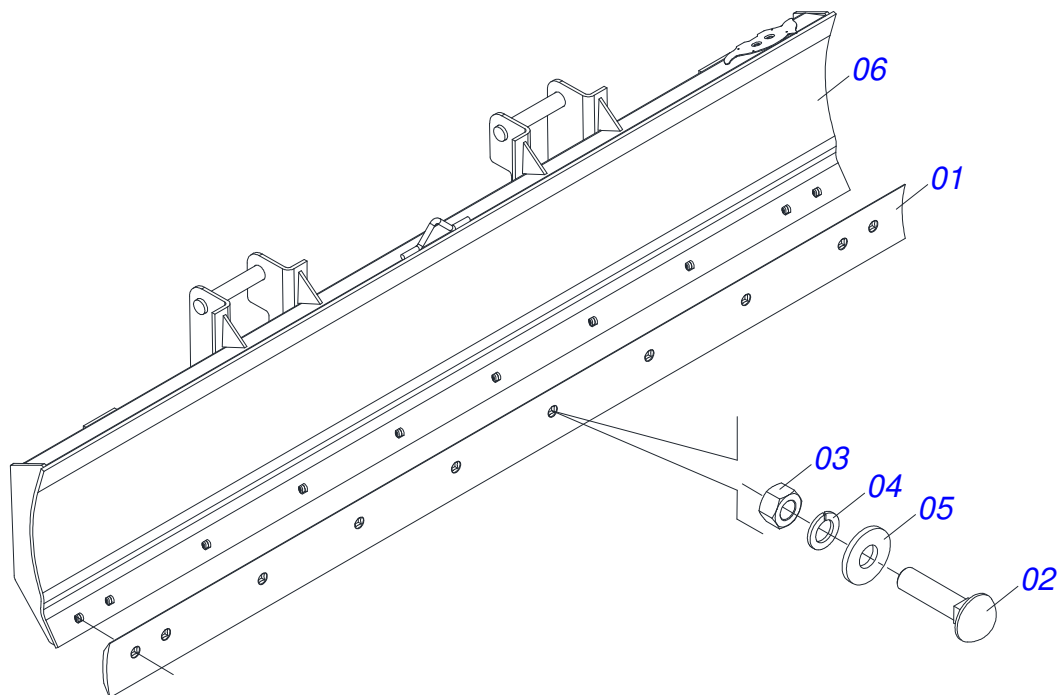
Item	Code	Description	See page	QT
01	0521066410	X 22"TURNBUCLE		01
02	0571019709	DETACHABLE COVER		01
03	0503010761	D-1750 SCRAPER RING		01
04	0503010063	1" SELF-ALIGNING NUT		01
05	0503010002	1800 GREASE FITTING		02
06	0503030387	PLUG		02
07	0571019710	1.7" X 3.4" PISTON		01
08	0503017935	RING		01
09	0503010042	2-214 N 3006-9B O'RING		01
10	0571019711	RING SUPPORT		01
11	0503017937	GASKET		01
12	0503017936	RING		01
13	0503017938	RING GUIDE		01
14	0503017940	8-337 BACK-UP RING		02
15	0503017939	2-337 N 3006-9B O' RING		02
16	0503018144	RING		01
17	0511069348	2.4" X 37" CYLINDER CASE		01
18	0511032281	HYDRAULIC CYLINDER REPAIR KIT		01



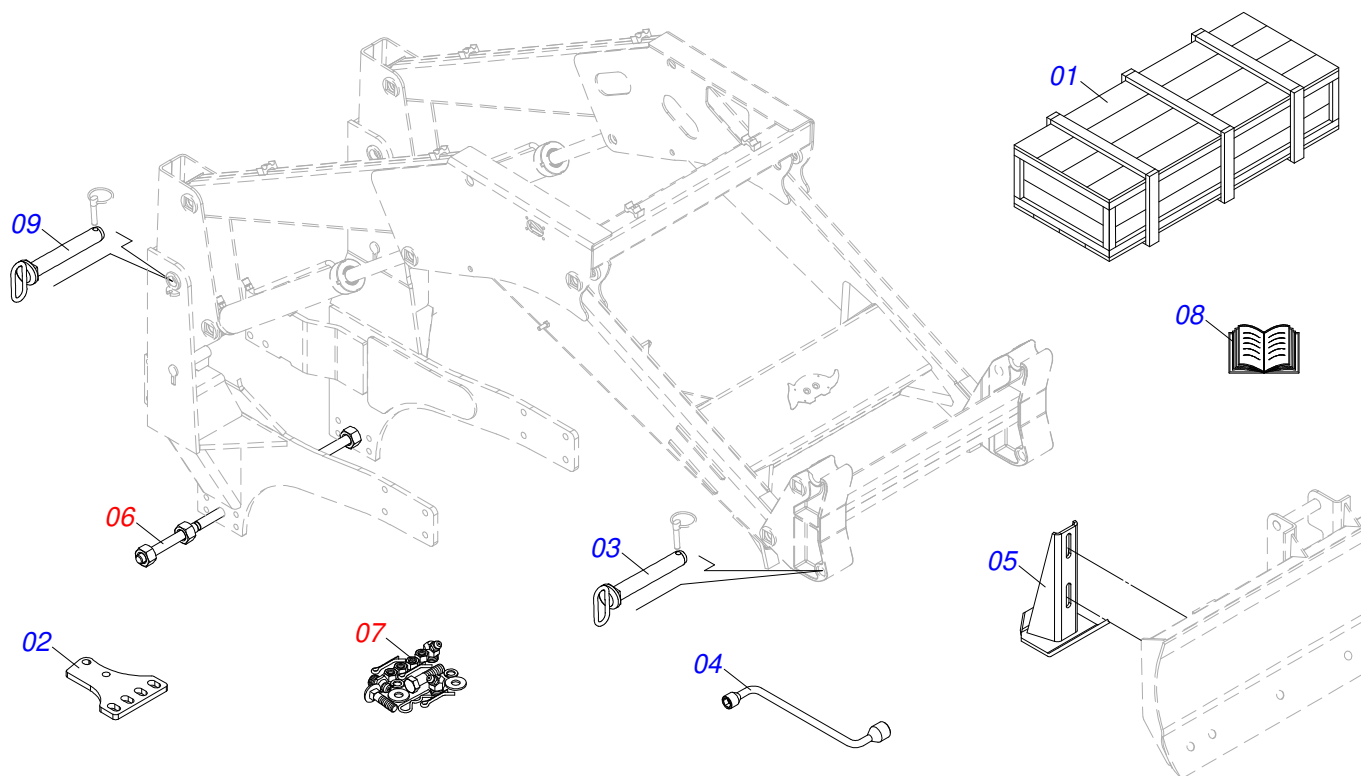
Item	Code	Description	See page	QT
01	0503018033	37 X R.7/8 UNF 90° JIC MALE CONNECTOR WITH ROTATING NUT		01
02	0581014053	1/2 BSP X 7/8 UNF JIC X 64 ADAPTER		01
03	0503016854	VALVE ASSY		01
04	0503010045	O'RING		01
05	0581014052	1/2 BSP X 7/8 UNF JIC X 43 NIPLE		01
06	0503030387	PLUG		01



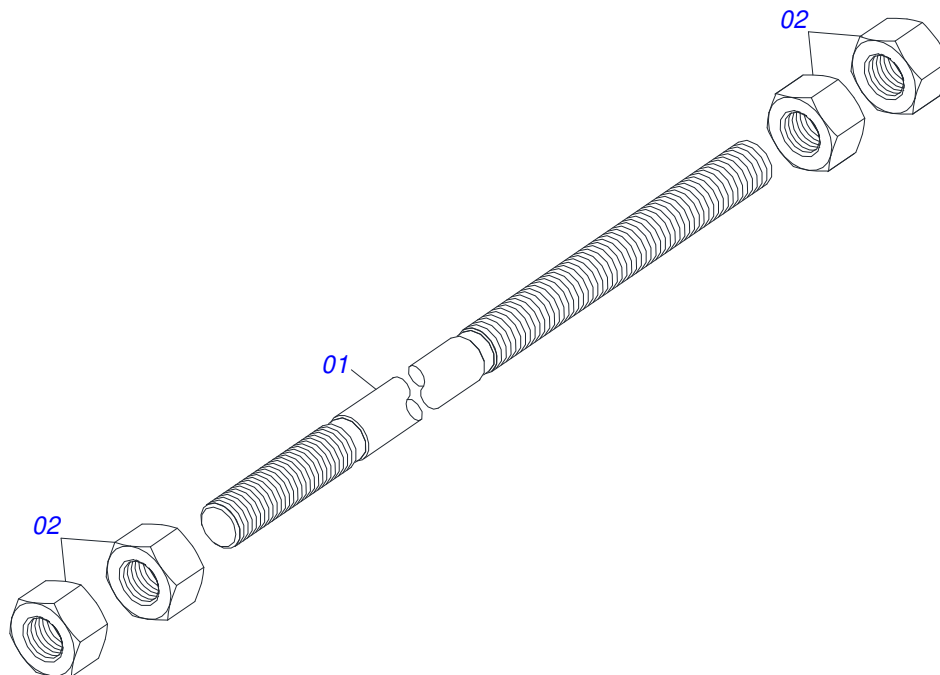
Item	Code	Description	See page	QT
01	0503011627	MALE QUICK COUPLER AGR 1/2 NPT		01
02	0503011882	MALE QUICK COUPLER CAP		01



Item	Code	Description	See page	QT
01	0622360011	2600 SCRAPER REVERSIBLE		01
02	0501012240	BOLT		08
03	0503010013	5/8" NUT		08
04	0503011445	SPRING WASHER		08
05	0501012140	FLAT WASHER		08
06	0511067600	DOZER BLADE		01

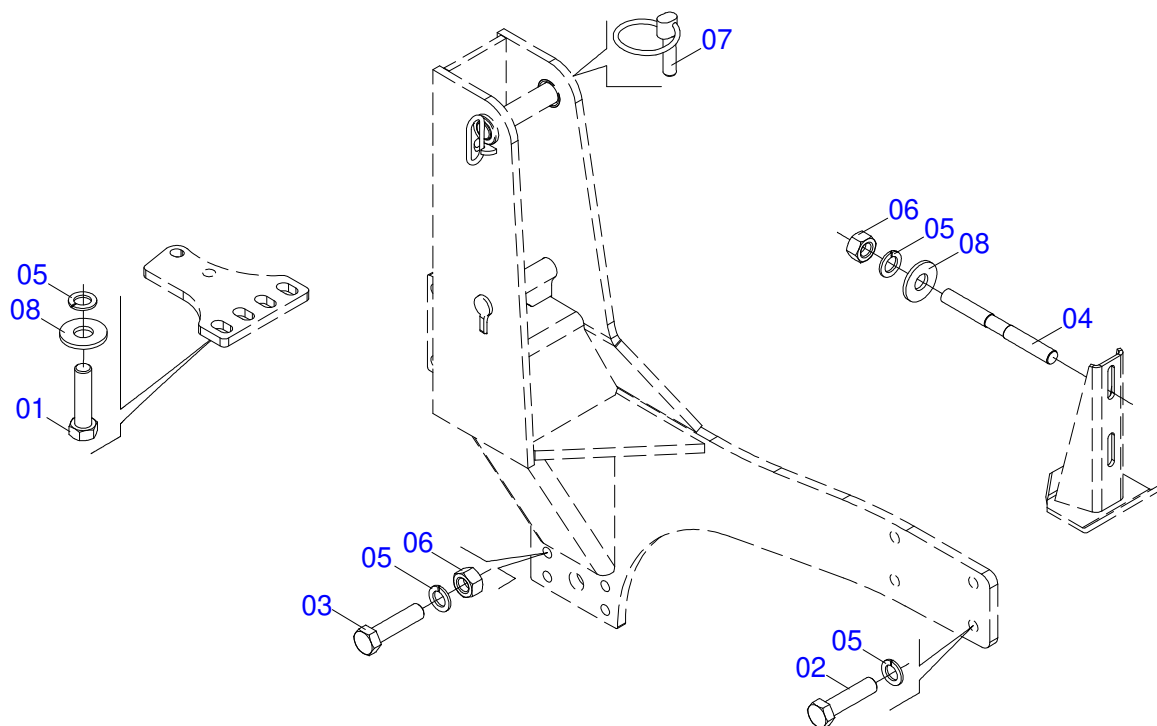


Item	Code	Description	See page	QT
01	0501100126	WOOD BOX		01
02	0511014115	FRAME BRACKET		02
03	0521068124	JOINT SHAFT WITH HANDLE - 37,20 X 215		02
04	0501068213	5/8" WRENCH DOUBLE		01
05	0501063411	ESTABILIZER BRACKET		02
06	0501041849	ASSY 1.1/4 NC X 910 ROD	13	01
07	0501036436	BAG PACKED PIECES	14	01
08	0501038749	BAG WITH INSTRUCTION MANUAL		01
09	0521066515	37,20 X 240 ARTICULATION SHAFT WITH HANDLE		02



Item	Code	Description	See page	QT
01	0501014914	1.1/4" X 910 ROD		01
02	0501010087	1.1/4" NUT		04





Item	Code	Description	See page	QT
01	0503011258	M18 X 1,5 X 65 BOLT		04
02	0503013110	M20 X 2,5 X 50 BOLT		16
03	0501010500	3/4"X3"BOLT		12
04	0561016756	3/4 UNC X 3/4 UNC X 56 PRISONER		04
05	0503010023	3/4" SPRING WASHER		28
06	0503010014	3/4" NUT		16
07	0503030430	7/16 X 2" PIN LOCK		04
08	0501010322	FLAT WASHER		28





**MARCHESAN**

**Technical Publications | Elaboration and Revision**

LUIZ CANDIDO

[www.marchesan.com.br](http://www.marchesan.com.br)

