

PCA - AGRICULTURAL FRONT LOADER

PCA 800 MF 292-4 SHT CD

Code: 0501093109
Series: S-0898
Revision: 00
Date Revision: AGOSTO/2021

PARTS CATALOGUE



MARCHESAN



PRODUCTS

Code	Description
0106110167	PCA 800 MF 292-4 SHT CD

ATTENTION: IMPORTANT

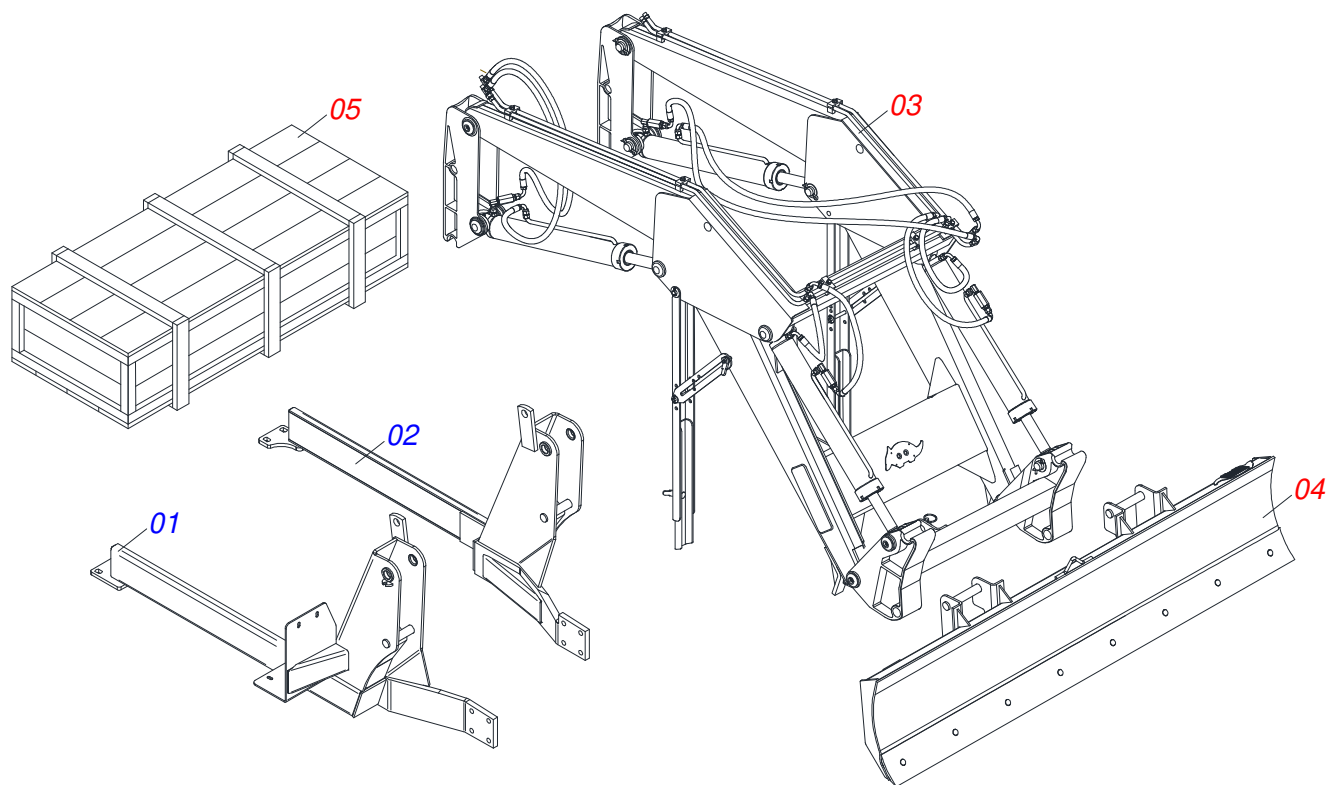
Marchesan S.A. reserves the right to improve and / or modify the technical features of its products, without obligation to do the same with those products already sold and without prior knowledge of the dealer or the consumer.



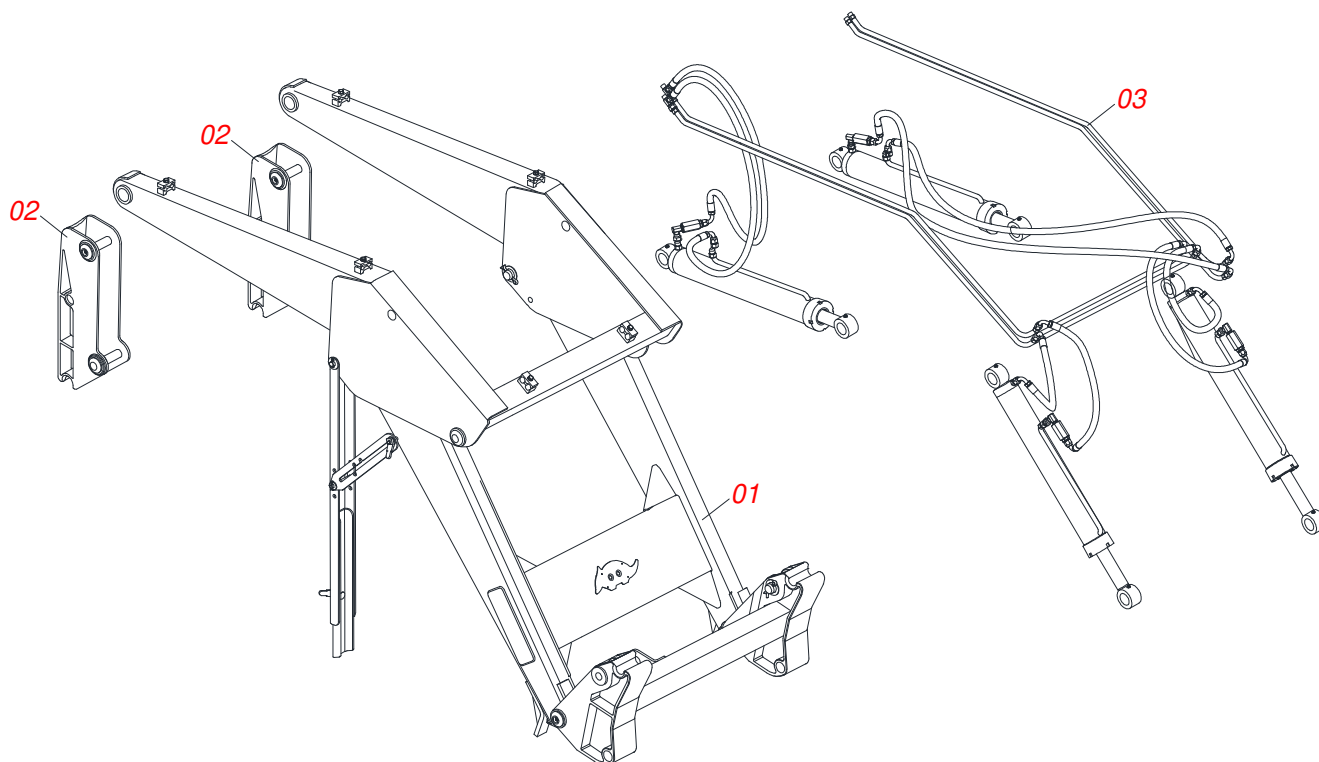
MARCHESAN

INDEX

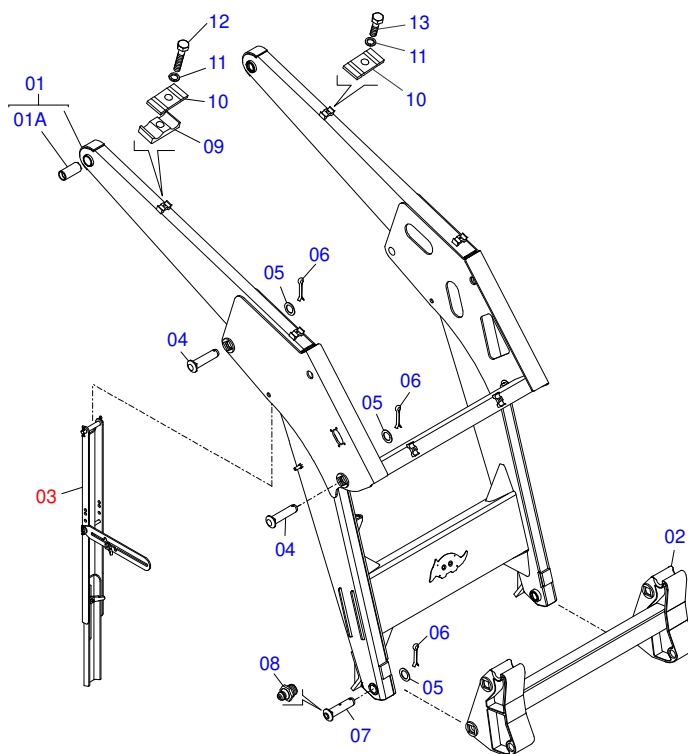
0106110167	PCA 800 MF 292-4 SHT CD	1
0501048062	FULL MOBILE SUPPORT - PCA 800 SHT CD	2
0909092666	MOBILE HOLDER PCA 800 BT CD	3
0909092667	ADJUSTABLE REST OF MOVABLE SUPPORT	4
0909094132	MOBILE TOWER - PCA 800	5
0909092665	HYDRAULIC CIRCUIT OF MOBILE SUPPORT - PCA 800	6
0501053835	FEMALE QUICK COUPLER	7
0511057974	44,45 X 85,72 X 870 X 593 HYDRAULIC CYLINDER	8
0511057772	SECURITY VALVE ASSY	9
0511057973	HIDRAULIC CYLINDER 44,45 X 76,20 X 820 X 551	10
0511043382	DOZER BLADE 2400	11
0511020792	BOX WITH COMPONENTS	12
0501047575	OIL RESERVOIR ASSY	13
0501041627	1/2" DOUBLE COMMAND	14
0501041108	RETURNING FILTER ASSY	15
0501052129	PUMP WITH TUBE	16
0501042819	1.1/4"NC X 33.46" ROD ASSY	17
0501035322	PACKAGED PARTS	18
0501053834	MALE QUICK COUPLER WITH CAP - 1/2 NPT	19



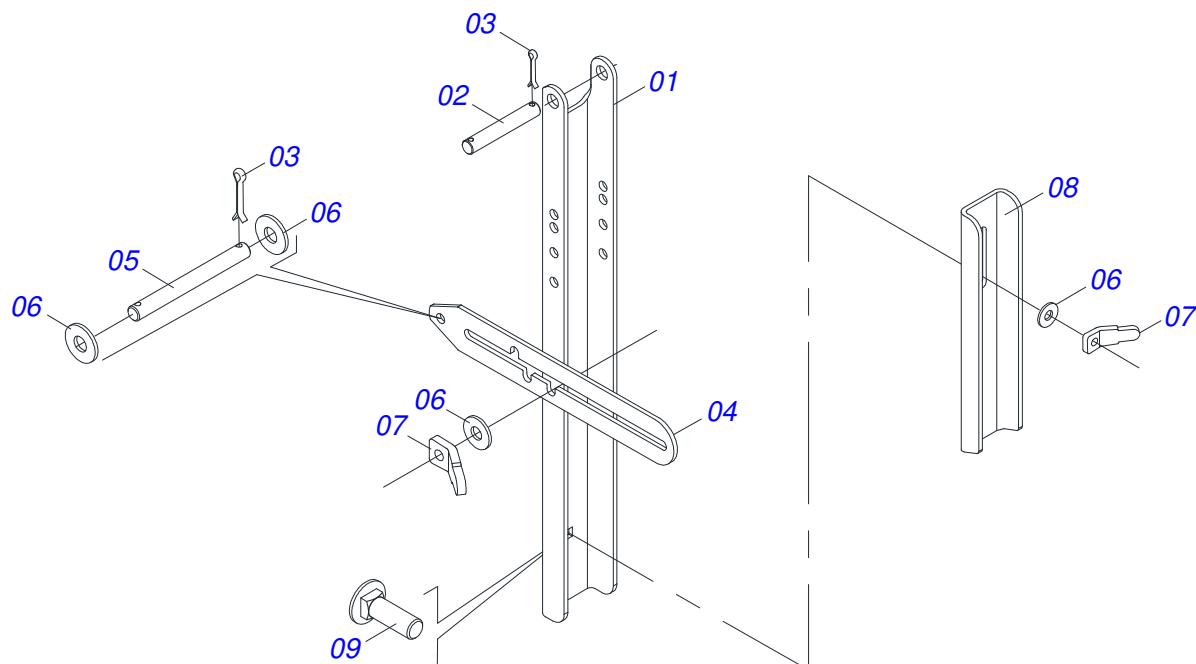
Item	Code	Description	See page	QT
01	0511061439	RIGHT CHASSIS		01
02	0511061440	LEFT FRAME		01
03	0501048062	FULL MOBILE SUPPORT - PCA 800 SHT CD	2	01
04	0511043382	DOZER BLADE 2400	11	01
05	0511020792	BOX WITH COMPONENTS	12	01



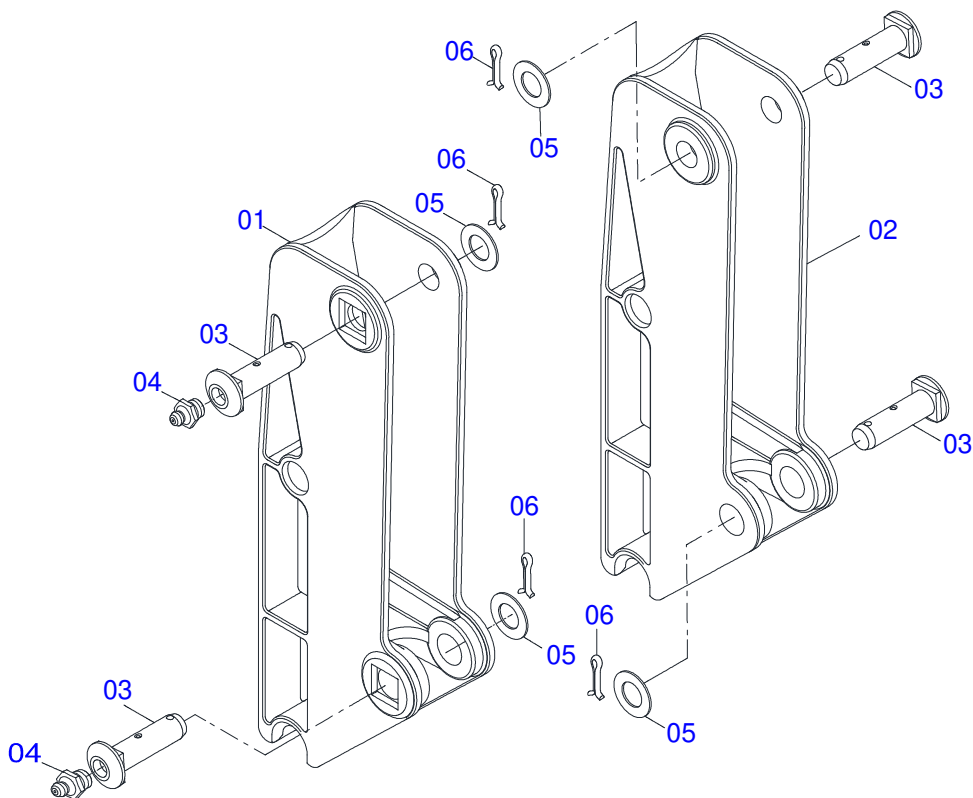
Item	Code	Description	See page	QT
01	0909092666	MOBILE HOLDER PCA 800 BT CD	3	01
02	0909094132	MOBILE TOWER - PCA 800	5	01
03	0909092665	HYDRAULIC CIRCUIT OF MOBILE SUPPORT - PCA 800	6	01



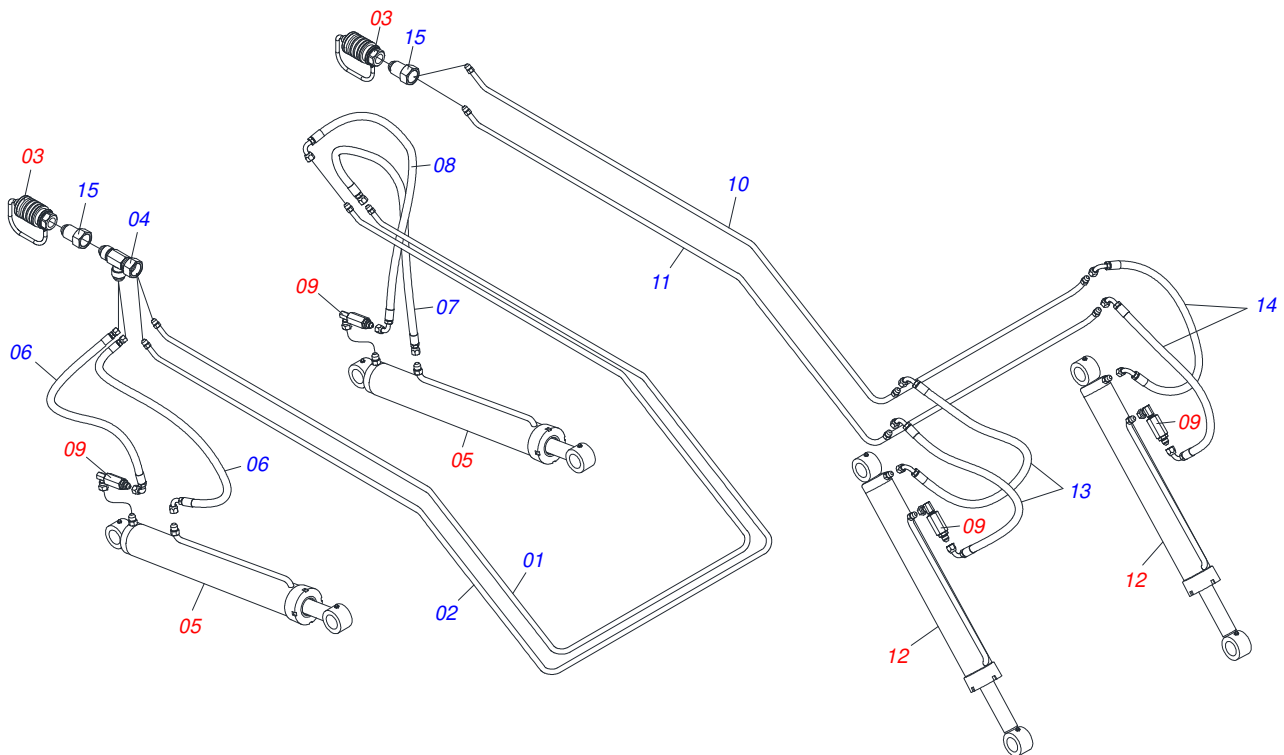
Item	Code	Description	See page	QT
01	0501069453	MOBILE SUPPORT		01
01A	0501110286	SLEEVE		04
02	0501069146	JOINT SUPPORT PCA 800		01
03	0909092667	ADJUSTABLE REST OF MOVABLE SUPPORT	4	02
04	0521012868	1.4" X 5" PIVOT SHAFT		02
05	0511019685	FLAT WASHER		02
06	0503010534	3/8 X 2-1/2 COTTERPIN		06
07	0521012870	1.46" X 6.18" PIVOT SHAFT		02
08	0503010002	1800 GREASE FITTING		02
09	1902010477	UPPER CLAMP BODY		04
10	0531011180	UPPER BODY CLIP		06
11	0503010180	7/16" SPRING WASHER		06
12	0503012555	SCREW 7/16 UNC X 2 CS RT G.7 ZN		04
13	0503011102	BOLT 7/16 UNC X 1.1/4 C S G.5 ZN		02



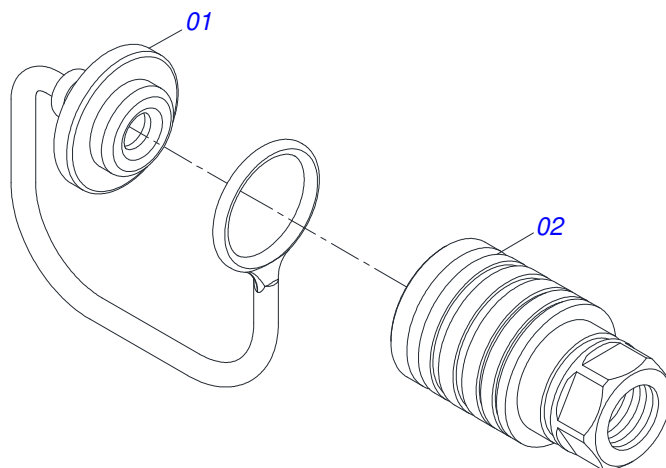
Item	Code	Description	See page	QT
01	0561016401	PLOUGH SUPPORT BODY	02	
02	0511013598	3/4" X 4.7" COUPLING SHAFT	02	
03	0503010071	3/16" X 1" COTTERPIN	08	
04	0511019634	CONTROL LOCK	02	
05	0521012823	COUPLING SHAFT	02	
06	0511017302	FLAT WASHER	08	
07	0561016329	LATCH HOLDER REST PCA	04	
08	0561016619	COMPLEMENTON REST	02	
09	0503014378	1/2" X 1-1/2" BOLT	02	



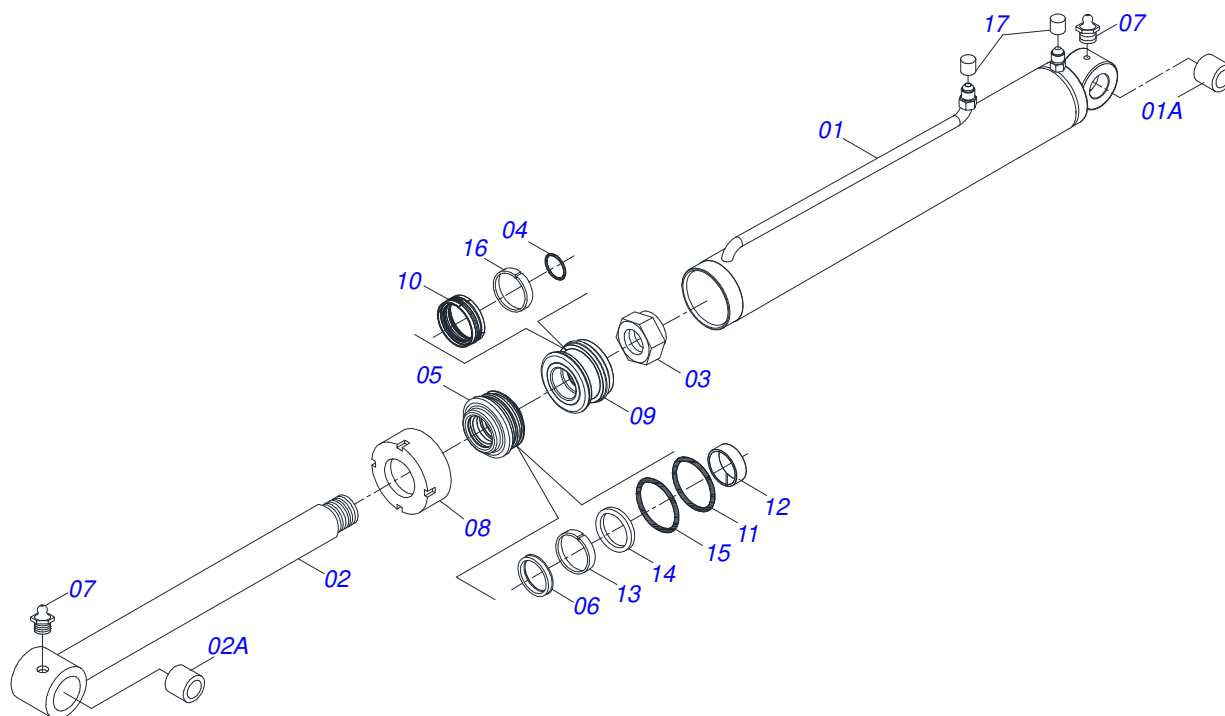
Item	Code	Description	See page	QT
01	0502012472	MOBILE TOWER		01
02	0502012473	LEFT MOBILE TOWER		01
03	0521012870	1.46" X 6.18" PIVOT SHAFT		04
04	0503010002	1800 GREASE FITTING		04
05	0511019685	FLAT WASHER		04
06	0503010534	3/8 X 2-1/2 COTTERPIN		04



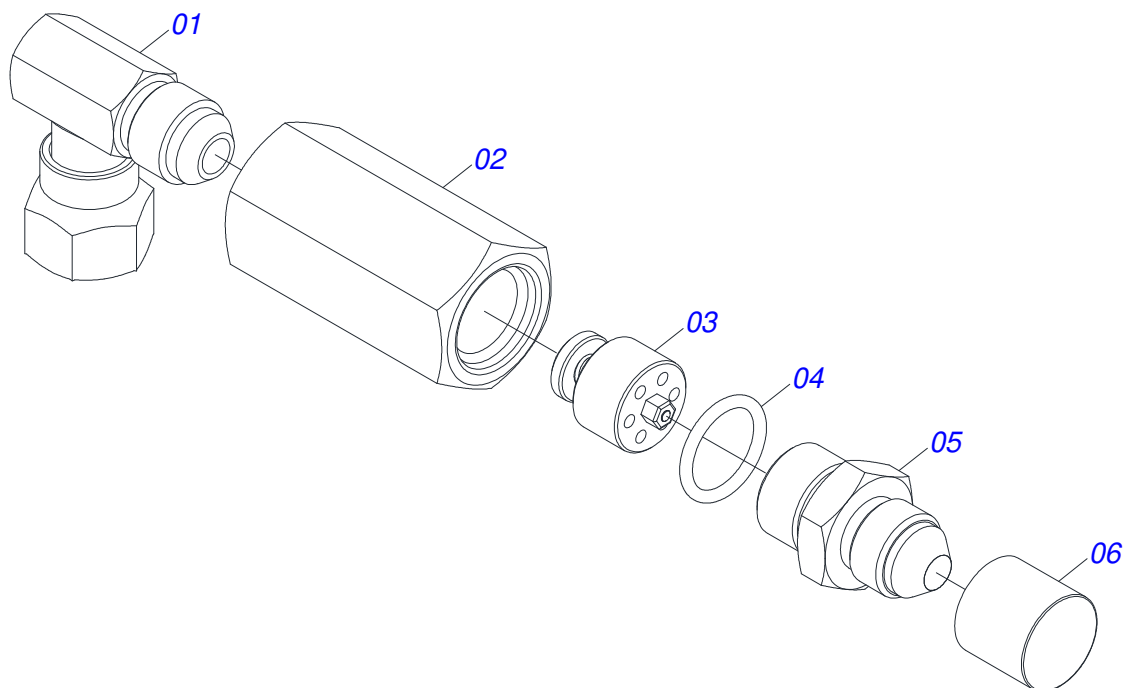
Item	Code	Description	See page	QT
01	0501069861	INNER OIL TUBE		01
02	0501069860	OUTER OIL TUBE		01
03	0501053835	FEMALE QUICK COUPLER	7	04
04	0503011968	3/4" 8R6X-S T ADAPTER WITH SWIVEL NUT		02
05	0511057974	44,45 X 85,72 X 870 X 593 HYDRAULIC CYLINDER	8	02
06	0501080150	HOSE ASSY		02
07	0501080105	TR-TR HOSE ASSY		01
08	0501080766	3/8" X 27.56" TC-TC HOSE		01
09	0511057772	SECURITY VALVE ASSY	9	04
10	0501069858	LH RIGHT OIL TUBE		01
11	0501069857	RIGHT RIGHT OIL TUBE		01
12	0511057973	HIDRAULIC CYLINDER 44,45 X 76,20 X 820 X 551	10	02
13	0501080777	LH 3/8" X 25.9" TC-TC HOSE		02
14	0501080688	3/8" X 25" TC-TC 90G HOSE		02
15	0511019876	1/2" NIPPLE		04



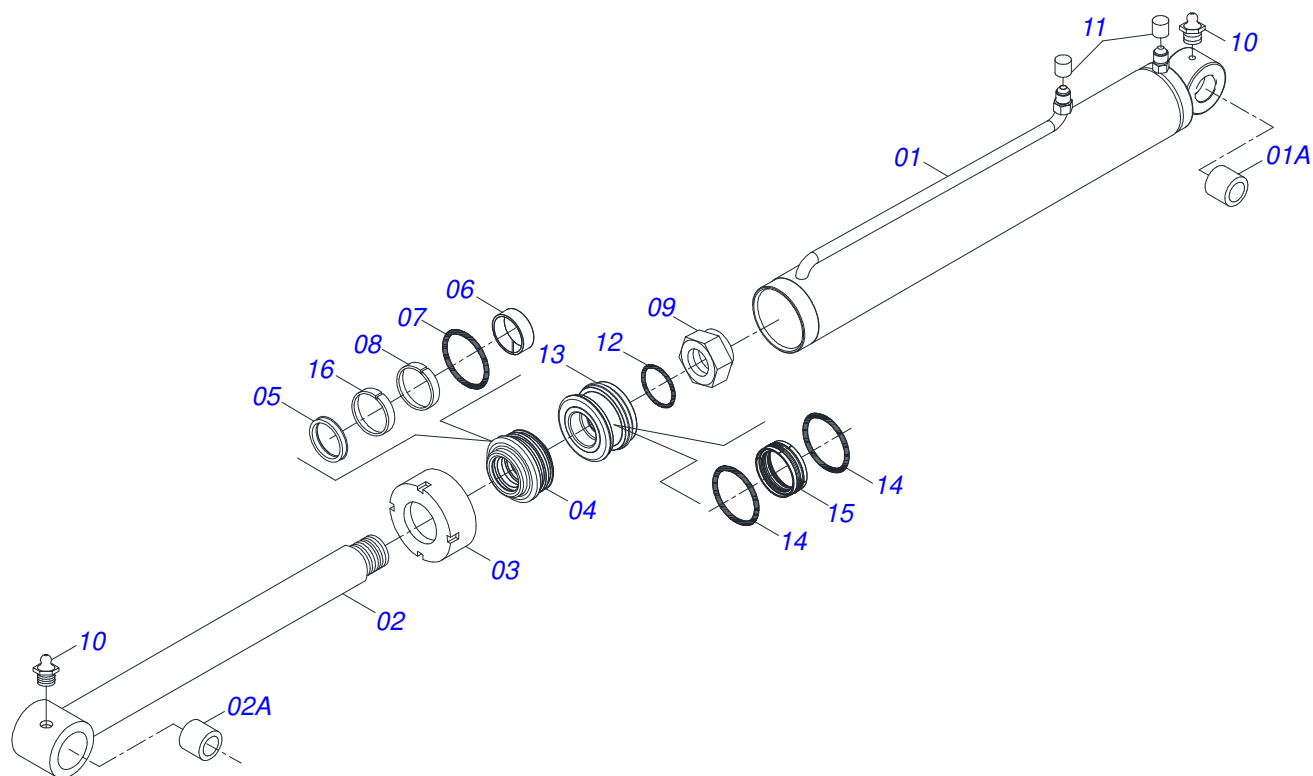
Item	Code	Description	See page	QT
01	0503011883	QUICK CONNECTION COVER		01
02	0503011628	FEMALE QUICK COUPLER		01



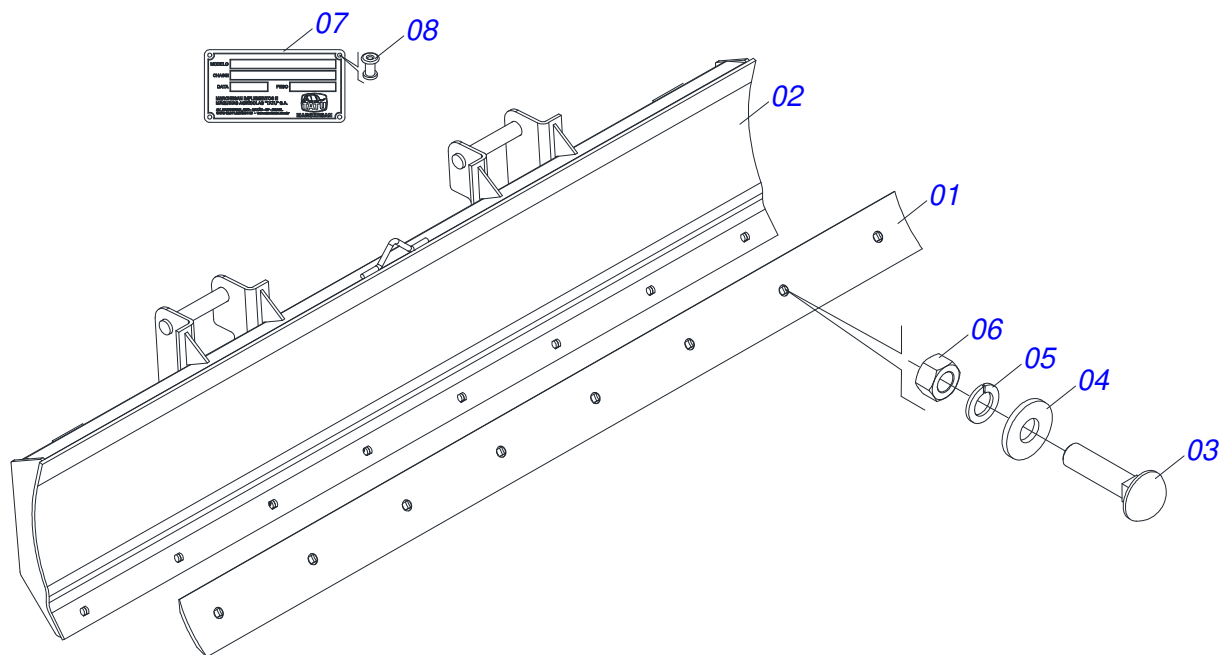
Item	Code	Description	See page	QT
01	0511069198	BODY SHIRT WITH MAKING		01
01A	0521010514	38,1 X 52,9 X 50 SLEEVE INTER		02
02	0521066404	44,45 X 772 TURNBUCKLE		01
03	0503010063	1" SELF-ALIGNING NUT		01
04	0503010042	2-214 N 3006-9B O'RING		01
05	0571019711	RING SUPPORT		01
06	0503010761	D-1750 SCRAPER RING		01
07	0503010002	1800 GREASE FITTING		02
08	0571019709	DETACHABLE COVER		01
09	0571019710	1.7" X 3.4" PISTON		01
10	0503017935	RING		01
11	0503017936	RING		01
12	0503017938	RING GUIDE		01
13	0503017937	GASKET		01
14	0503017940	8-337 BACK-UP RING		02
15	0503017939	2-337 N 3006-9B O' RING		02
16	0503018144	RING		01
17	0503030385	CYLINDER PLUG N-002		02
18	0511032784	HYDRAULIC CYLINDER REPAIR KIT		01



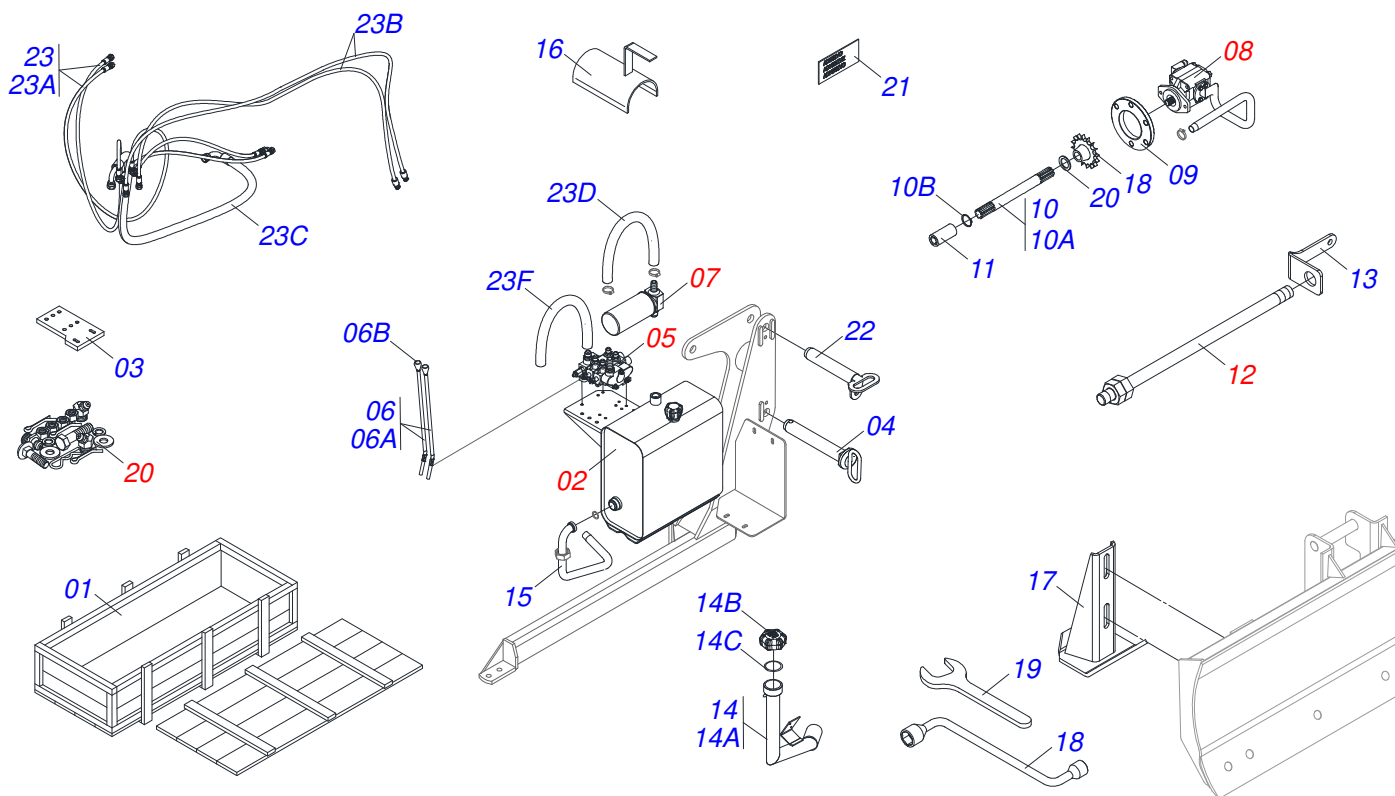
Item	Code	Description	See page	QT
01	0503018034	MALE KNEE JIC		01
02	0581014055	ADAPTER		01
03	0503016854	VALVE ASSY		01
04	0503010045	O'RING		01
05	0581014054	BSP 1/2" NIPPLE		01
06	0503030385	CYLINDER PLUG N-002		01



Item	Code	Description	See page	QT
01	0521066381	CYLINDER CASE 76,20 X 723		01
01A	0501110275	BUSHING COUPLING 75 X 38,1 X 50		02
02	0511065578	1.7" X 28.18" TURNBUCLE		01
03	0502012264	RING SUPPORT 1.75" X 3"		01
04	0503010761	D-1750 SCRAPER RING		01
05	0503010949	W2-2000-500 PK RING G.E		01
06	0503010343	2-334 N 3006-9B O'RING		01
07	0503011059	8-334 BACK-UP RING		01
08	0503010063	1" SELF-ALIGNING NUT		01
09	0503010002	1800 GREASE FITTING		02
10	0503030385	CYLINDER PLUG N-002		02
11	0503010042	2-214 N 3006-9B O'RING		01
12	0581010304	PISTON		01
13	0503018138	RING BS		02
14	0503018140	RING GUIDE		01
15	0503017937	GASKET		01
16	0502011899	MOBILE COVER		01
17	0511032725	HYDRAULIC CYLINDER REPAIR KIT		



Item	Code	Description	See page	QT
01	0622360016	94.5" SCRAPER REVERSIBLE		01
02	0501069112	2400MM DOZER BLADE		01
03	0501812240	BOLT		08
04	0501812140	FLAT WASHER		08
05	0503011445	SPRING WASHER		08
06	0503810013	NUT 5/8 NC		08
07	0503034003	SERIAL NUMBER TAG 61 X 118		01
08	0503010001	3.2 X 5.5 RIVET		04



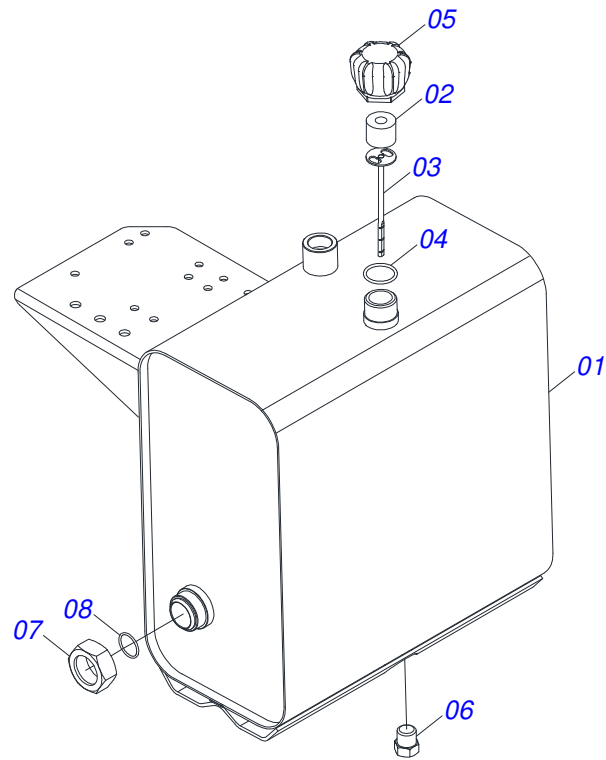
Item	Code	Description	See page	QT
01	0501100504	BOX		01
02	0501047575	OIL RESERVOIR ASSY	13	01
03	0501014778	FRAME BRACKET		02
04	0511064410	1.5" X 8.1" COUPLING SHAFT		02
05	0501041627	1/2" DOUBLE COMMAND	14	01
06	0501047854	CONTROL VALVE (PD CBT 2105 SHT)		02
06A	0501067570	CONTROL VALVE (CBT 2105)		01
06B	0503030878	LEVER CRANK		01
07	0501041108	RETURNING FILTER ASSY	15	01
08	0501052129	PUMP WITH TUBE	16	01
09	0503050003	COUPLING FLANGE		01
10	0501057558	475X1.1/8 SPRINGED SHAFT WITH RING		01
10A	0501068936	475 X 1.1/8 STRIATED X 1.1/8-30G AXLE		01
10B	0503010174	501028 CLAMPING RING (FOR AXLE)		02
11	0503030838	1-1/8" X 2.4" SLEEVE		01
12	0501042819	1.1/4"NC X 33.46" ROD ASSY	17	01
13	0521012541	REDLIGHT SUPPORT		02
14	0501051341	TANK TUBE		01
14A	0501069156	TANK TUBE		01
14B	0502020549	TANK COVER		01
14C	0503010141	2-226 N 3006-9B O'RING		01
15	0501068606	TANK OUTER TUBE		01
16	0511064563	HOSE PROTECTION		01
17	0501063411	ESTABILIZER BRACKET		02
18	0501068213	5/8" WRENCH DOUBLE		01
19	0511010153	2-5/16" FIXED WRENCH		01
20	0501035322	PACKAGED PARTS	18	01
21	0503030770	ADHESIVE LABEL		01
22	0521066515	37,20 X 240 ARTICULATION SHAFT WITH HANDLE		02
23	0511059109	HOSE GAME		01
23A	0501080619	3/8 X 1250 TC-TM HOSE		02



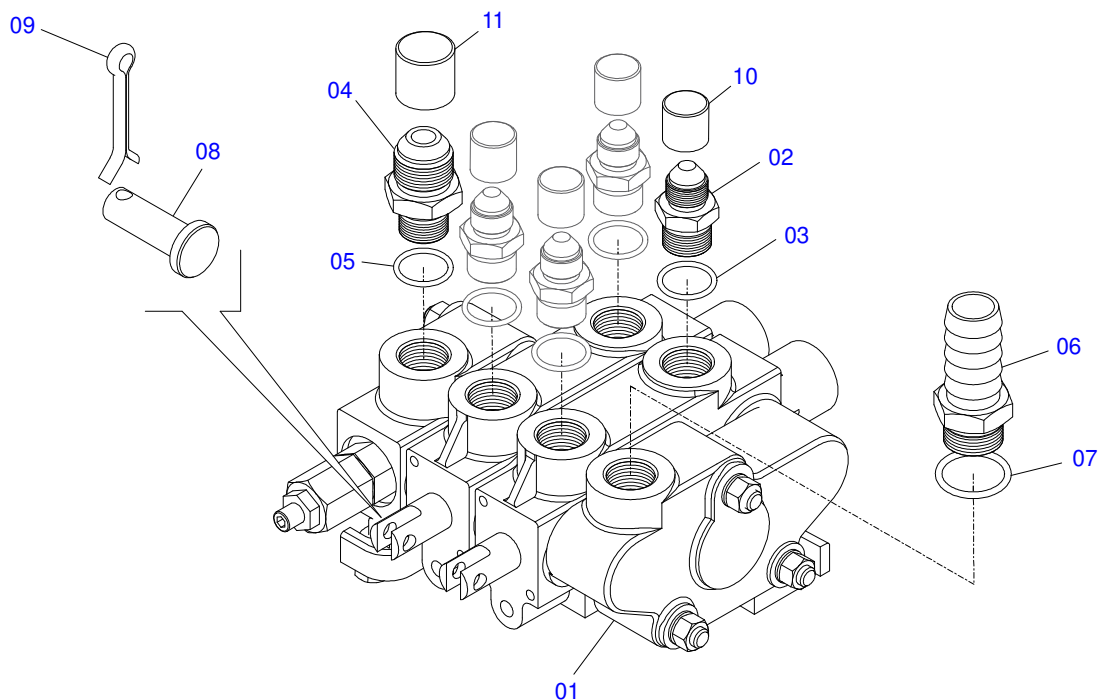
PCA 800 MF 292-4 SHT CD
BOX WITH COMPONENTS

Page 12
0511020792

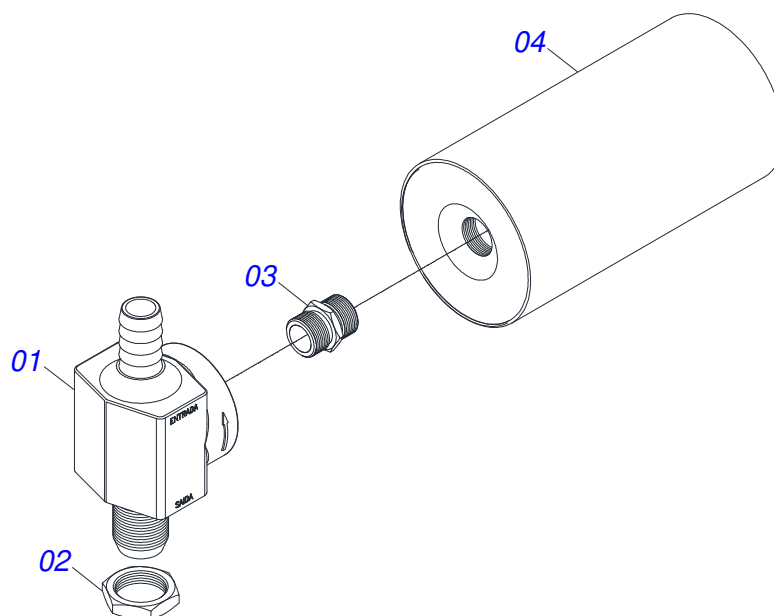
Item	Code	Description	See page	QT
23B	0501080620	3/8 X 1300 TC-TM HOSE		02
23C	0501080626	3/4 X 2900 TR-TC HOSE		01
23D	0501013822	1" X 25.6" AB-AB HOSE		01
23F	0501014834	1-1/4" X 49" AB-AB HOSE		01



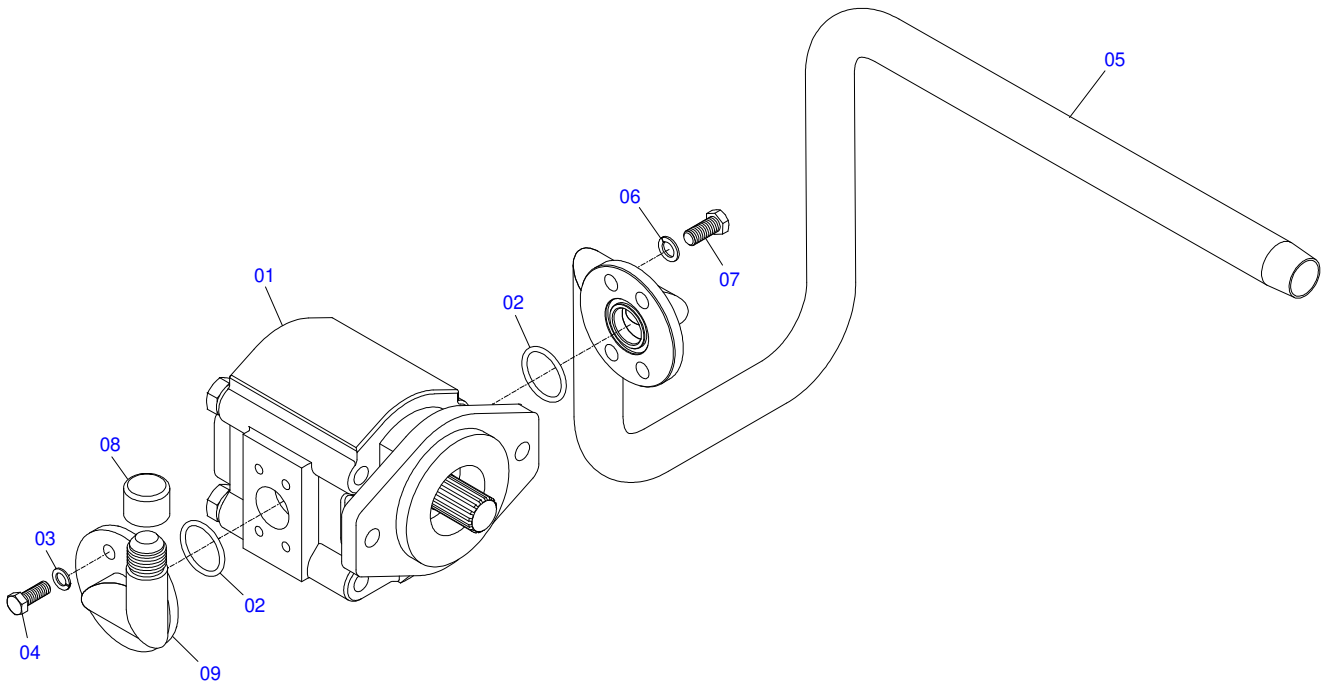
Item	Code	Description	See page	QT
01	0501068685	OIL RESERVOIR		01
02	0503030044	FILTERING ELEMENT		01
03	0501060975	OIL GAGE		01
04	0503010185	2-221 N 3006-9B O'RING		01
05	0502020472	FRONTAL COVER		01
06	0503031604	1/2" BSP PLUG		01
07	0501016309	2" 1X 2.5/16" NUT		01
08	0503010046	2-216 N 3006-9B O'RING		01



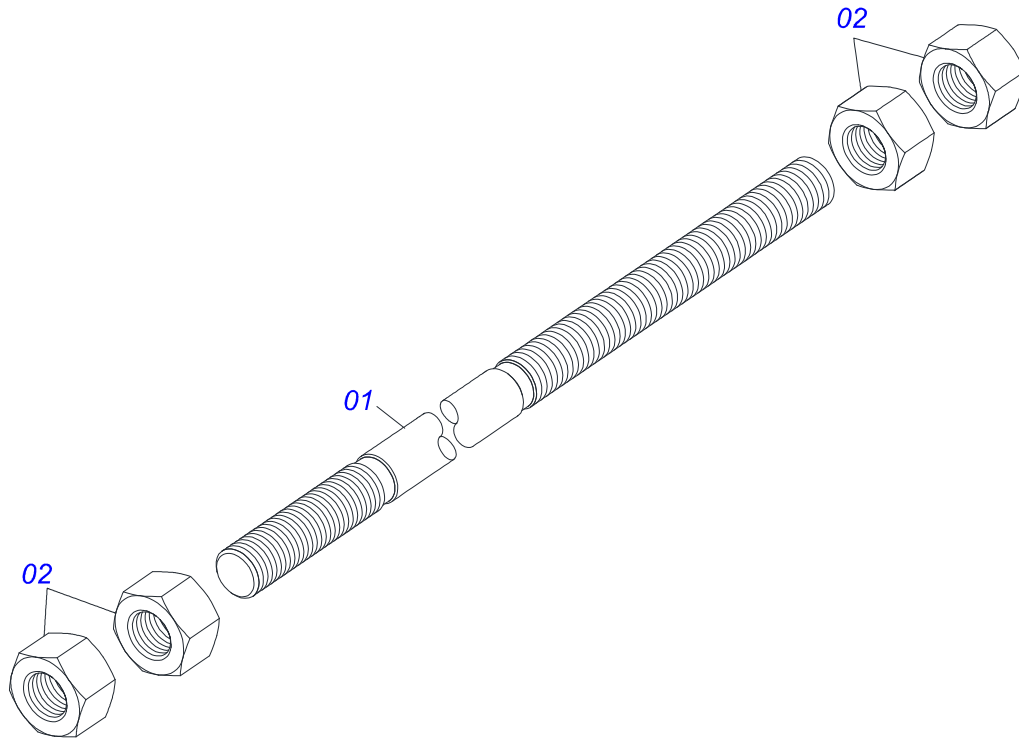
Item	Code	Description	See page	QT
01	0503060016	1/2"DOUBLE COMMAND		01
02	0511010111	7/8" NIPPLE		04
03	0503010045	O'RING		04
04	0501010589	R. 1.1/16UN SEXT 1.1/4 X 52 NIPPLE		01
05	0503011109	2-119 N 3006-9B O'RING		01
06	0501010591	HOSE NIPPLE		01
07	0503011109	2-119 N 3006-9B O'RING		01
08	0521010533	0.3" X 1" COUPLING SHAFT		02
09	0503010140	1/8" X 3/4" COTTERPIN		02
10	0503030385	CYLINDER PLUG N-002		04
11	0503030388	PLUG N-005		01



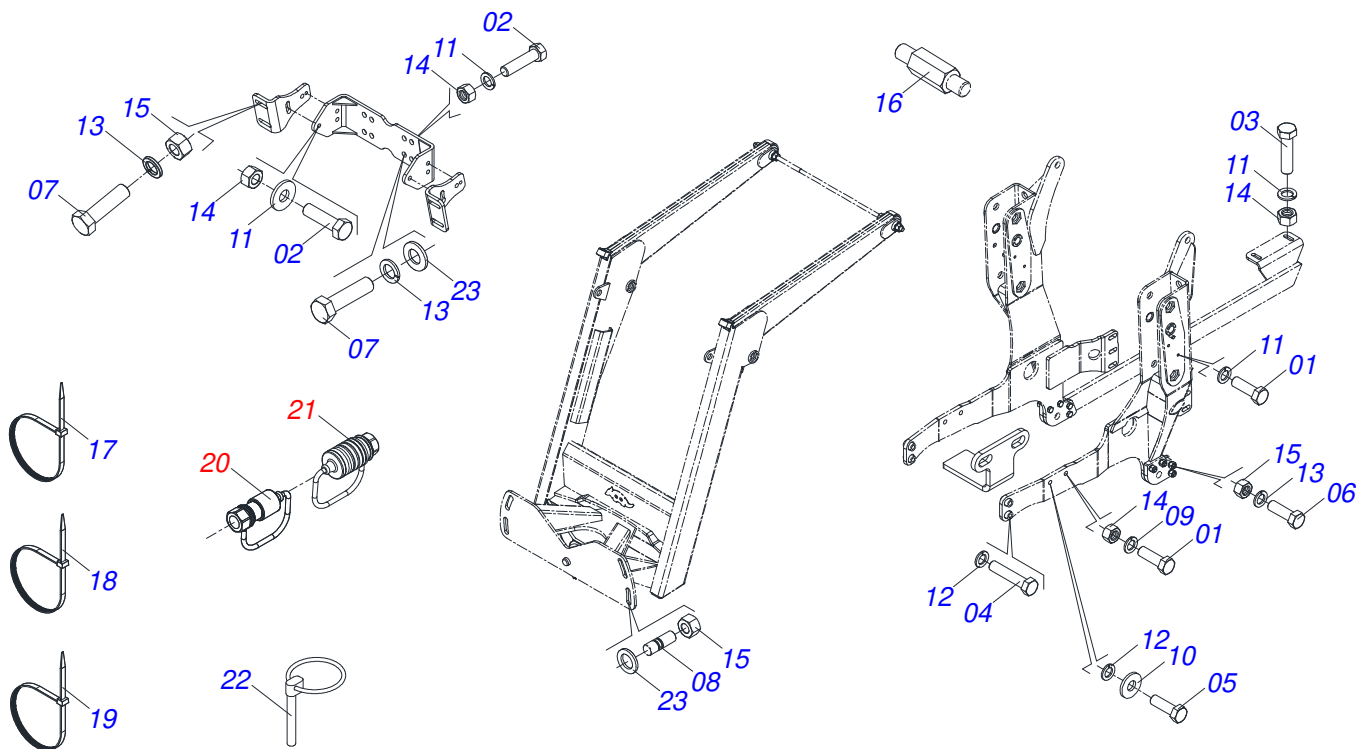
Item	Code	Description	See page	QT
01	0502050002	RETURNING FILTER HEAD		01
02	0501010594	1" NUT		01
03	0501010595	1" NF NIPPLE		01
04	0503010183	RETURNING FILTER		01



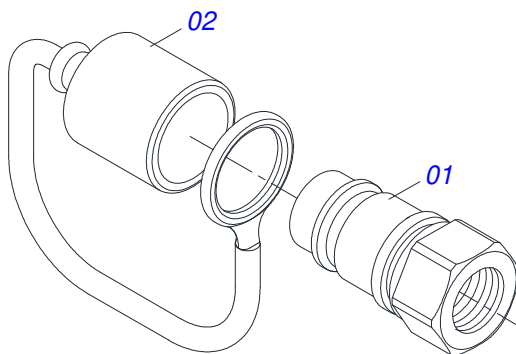
Item	Code	Description	See page	QT
01	0503061770	PUMP WITH TUBE		01
02	0503010173	2-220 N 3006-9B O'RING		02
03	0503010025	3/8" SPRING WASHER		04
04	0503011087	3/8" X 1" BOLT		04
05	0501069536	PUMP SUCTION TUBE		01
06	0503010180	7/16" SPRING WASHER		04
07	0503010355	7/16" X 1" BOLT		02
08	0503030388	PLUG N-005		01
09	0501069661	PUMP PRESSURE TUBE		01



Item	Code	Description	See page	QT
01	0501018845	1.1/4" X 33.46" ROD		01
02	0501010087	1.1/4" NUT		04



Item	Code	Description	See page	QT
01	0503010237	3/8" X 1" BOLT		02
02	0503010175	3/8" X 1-1/4" BOLT		06
03	0501010080	3/8" BOLT		03
04	0501010161	1/2" X 1.1/4" BOLT		04
05	0503010920	1/2" X 1.1/2" BOLT		02
06	0501018059	3/4" X 2-1/4" BOLT		08
07	0501010500	3/4"X3"BOLT		04
08	0561016756	3/4 UNC X 3/4 UNC X 56 PRISONER		04
09	0501010694	8.5 X 18 X 1.5 FLAT WASHER		01
10	0511017302	FLAT WASHER		04
11	0503010025	3/8" SPRING WASHER		11
12	0503010019	1/2" SPRING WASHER		06
13	0503010023	3/4" SPRING WASHER		12
14	0503010026	3/8" NUT		05
15	0503010014	3/4" NUT		08
16	0521014428	EXTENSION HEX		02
17	0503010184	CLAMP		02
18	0503010243	CLAMP		02
19	0503010246	CLAMP		02
20	0501053834	MALE QUICK COUPLER WITH CAP - 1/2 NPT	19	02
21	0501053835	FEMALE QUICK COUPLER	7	02
22	0503030430	7/16 X 2" PIN LOCK		04
23	0501010322	FLAT WASHER		14



Item	Code	Description	See page	QT
01	0503011627	MALE QUICK COUPLER AGR 1/2 NPT		01
02	0503011882	MALE QUICK COUPLER CAP		01



MARCHESAN

Technical Publications | Elaboration and Revision

LUIZ CANDIDO

www.marchesan.com.br

