

**PCA - AGRICULTURAL FRONT LOADER**

**PCA 800 JD6300/6405-4 BT SC SL**

**Code:** 0501093106  
**Series:** S-1299  
**Revision:** 00  
**Date Revision:** AGOSTO/2021

# **PARTS CATALOGUE**



**MARCHESAN**



# PRODUCTS

Code	Description
0106110246	PCA 800 JD 6300/6405-4 BT SC SL

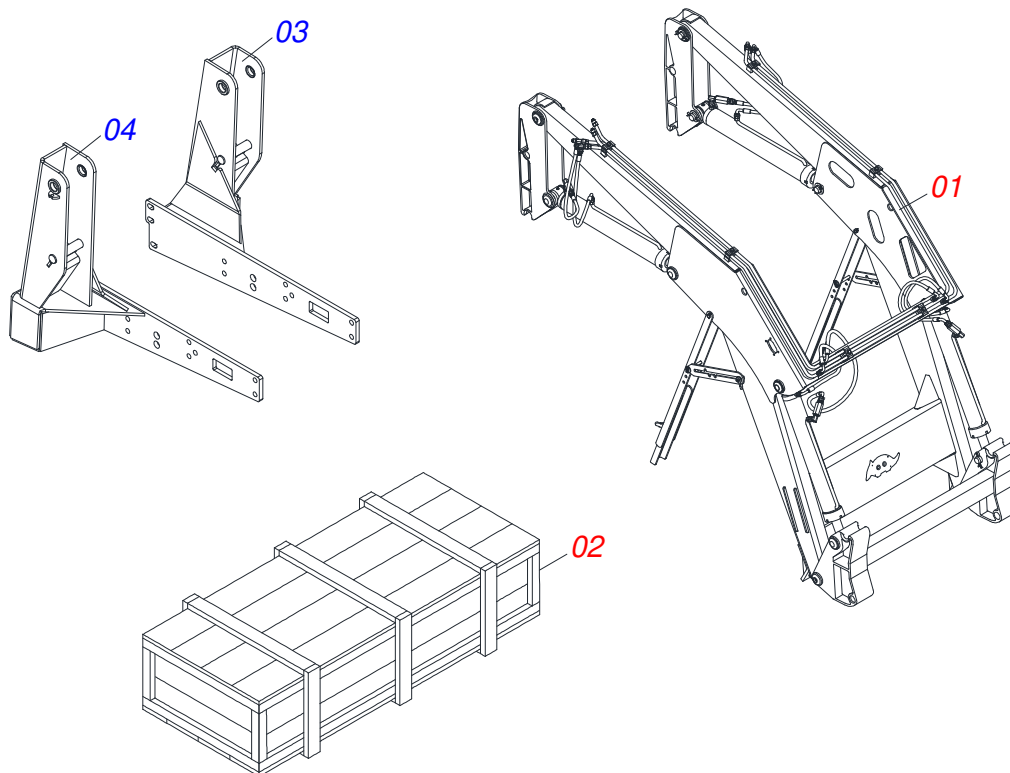
## ATTENTION: IMPORTANT

Marchesan S.A. reserves the right to improve and / or modify the technical features of its products, without obligation to do the same with those products already sold and without prior knowledge of the dealer or the consumer.

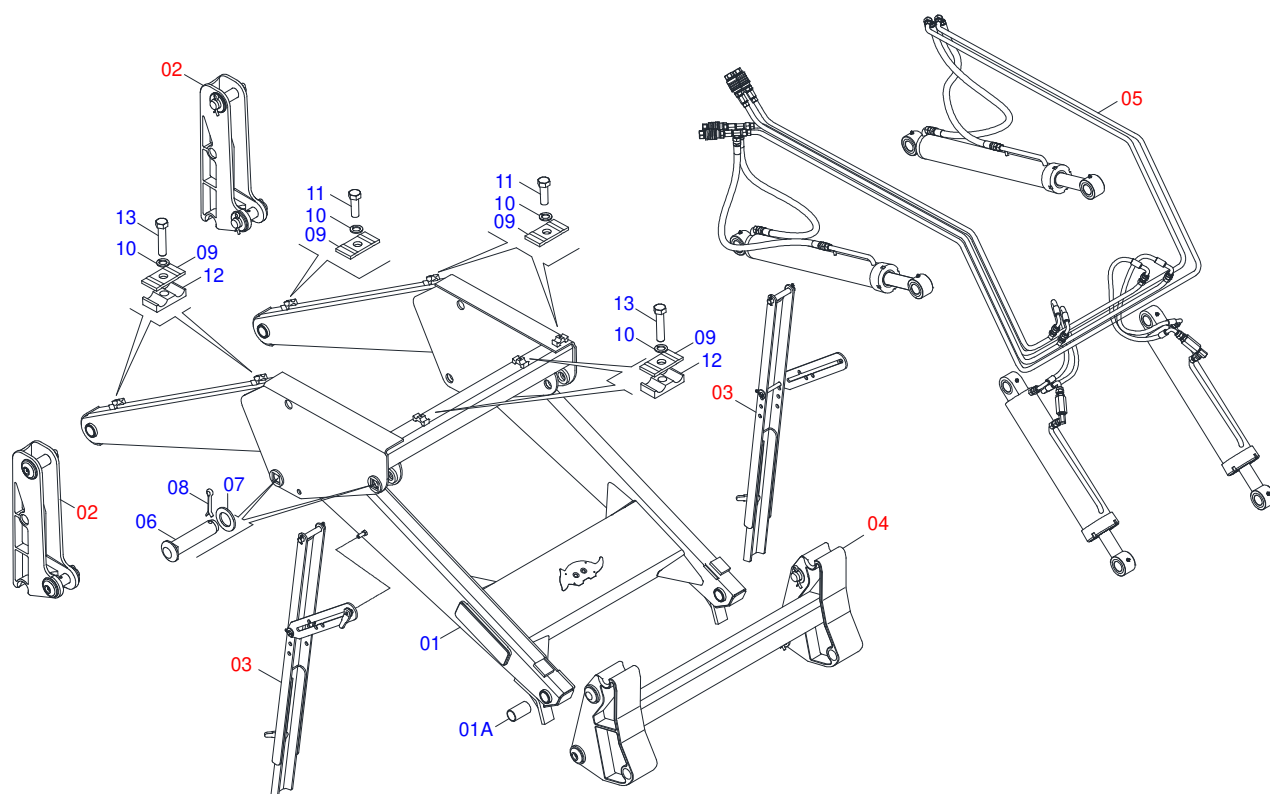


# INDEX

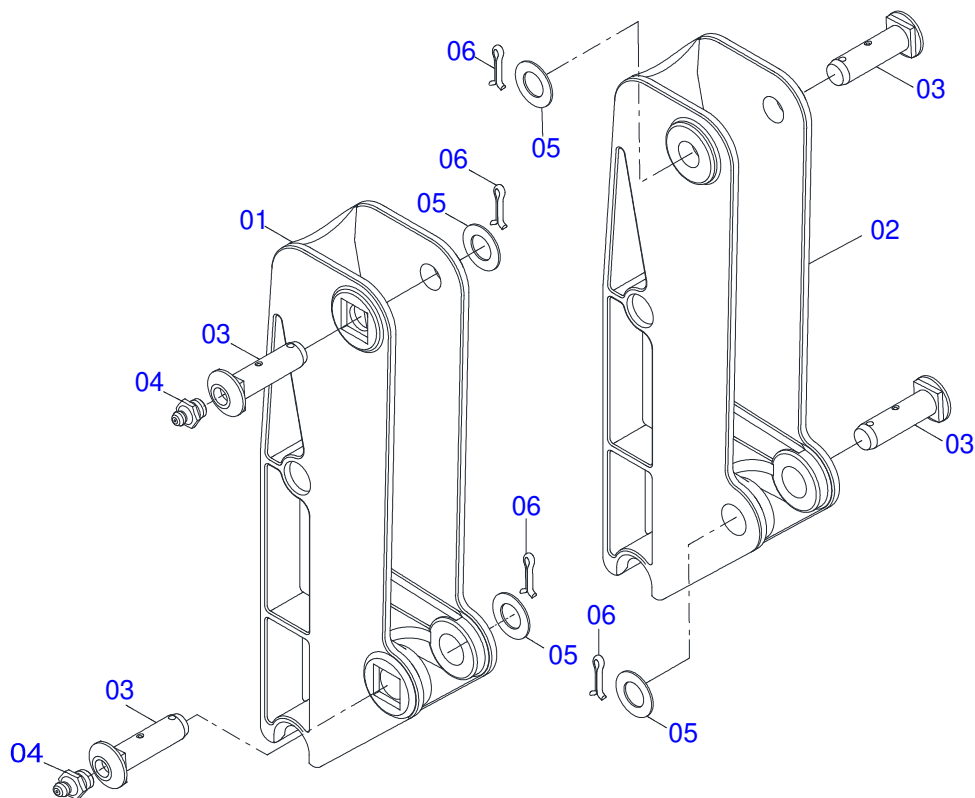
0106110246	PCA 800 JD 6300/6405-4 BT SC SL	.....	1
0501048629	COMPLETE MOVEL SUPPORT	.....	2
0909094132	MOBILLE TOWER - PCA 800	.....	3
0909092667	ADJUSTABLE REST OF MOVABLE SUPPORT	.....	4
0909092160	ARTICULATING SUPPORT - PCA 800	.....	5
0909092161	HYDRAULIC CIRCUIT OF MOBILE SUPPORT - PCA 800	.....	6
0511057974	44,45 X 85,72 X 870 X 593 HYDRAULIC CYLINDER	.....	7
0511057973	HIDRAULIC CYLINDER 44,45 X 76,20 X 820 X 551	.....	8
0501053834	MALE QUICK COUPLER WITH CAP - 1/2 NPT	.....	9
0511057772	SECURITY VALVE ASSY	.....	10
0511020799	BOX WITH COMPONENTS	.....	11
0501032977	PACKAGED PARTS	.....	12



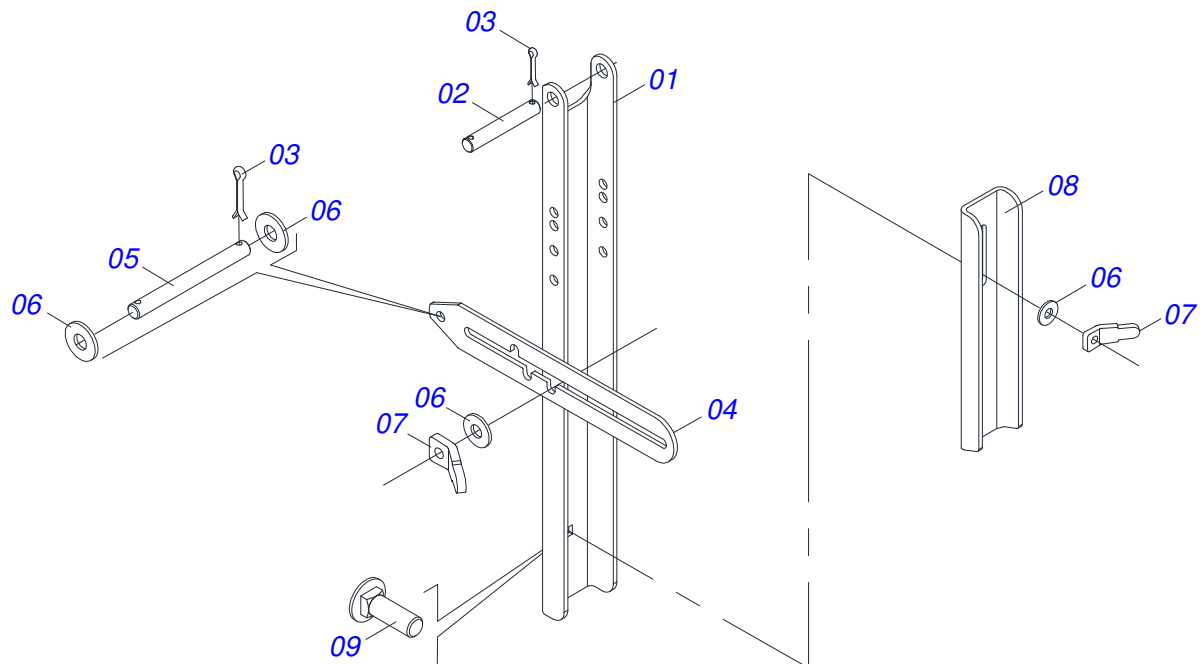
Item	Code	Description	See page	QT
001	0501048629	COMPLETE MOVEL SUPPORT	2	01
002	0511020799	BOX WITH COMPONENTS	11	01
003	0511064079	LEFT CHASSIS - SHORT		01
004	0511064078	RIGHT CHASSIS - SHORT		01



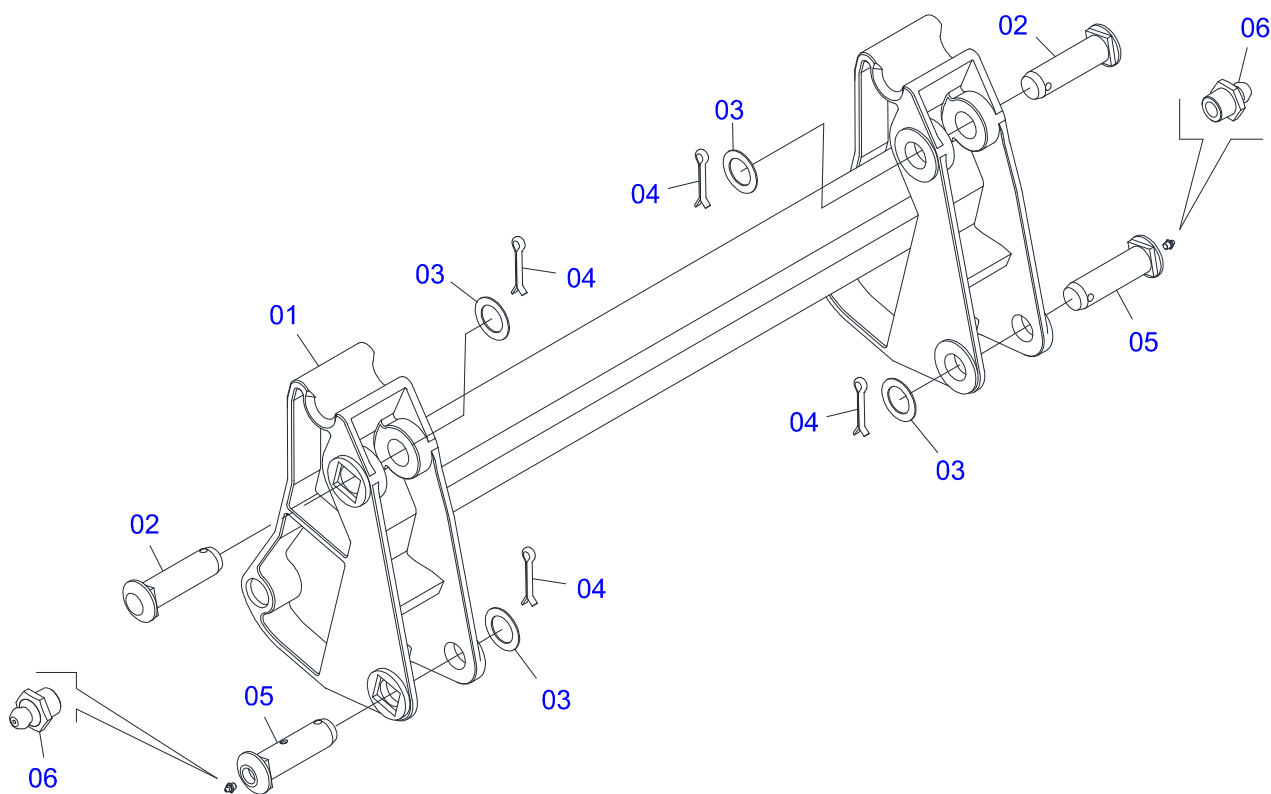
Item	Code	Description	See page	QT
01	0501069453	MOBILE SUPPORT		01
01A	0541014740	SLEEVE		04
02	0909094132	MOBILE TOWER - PCA 800	3	02
03	0909092667	ADJUSTABLE REST OF MOVABLE SUPPORT	4	02
04	0909092160	ARTICULATING SUPPORT - PCA 800	5	01
05	0909092161	HYDRAULIC CIRCUIT OF MOBILE SUPPORT - PCA 800	6	01
06	0521012868	1.4" X 5" PIVOT SHAFT		04
07	0511019685	FLAT WASHER		04
08	0503010534	3/8 X 2-1/2 COTTERPIN		04
09	0531011180	UPPER BODY CLIP		06
10	0503010180	7/16" SPRING WASHER		06
11	0503011102	BOLT 7/16 UNC X 1.1/4 C S G.5 ZN		03
12	0502010477	HOSE CLAMP		03
13	0503012555	SCREW 7/16 UNC X 2 CS RT G.7 ZN		03



Item	Code	Description	See page	QT
01	0502012472	MOBILE TOWER		01
02	0502012473	LEFT MOBILE TOWER		01
03	0521012870	1.46" X 6.18" PIVOT SHAFT		04
04	0503010002	1800 GREASE FITTING		04
05	0511019685	FLAT WASHER		04
06	0503010534	3/8 X 2-1/2 COTTERPIN		04

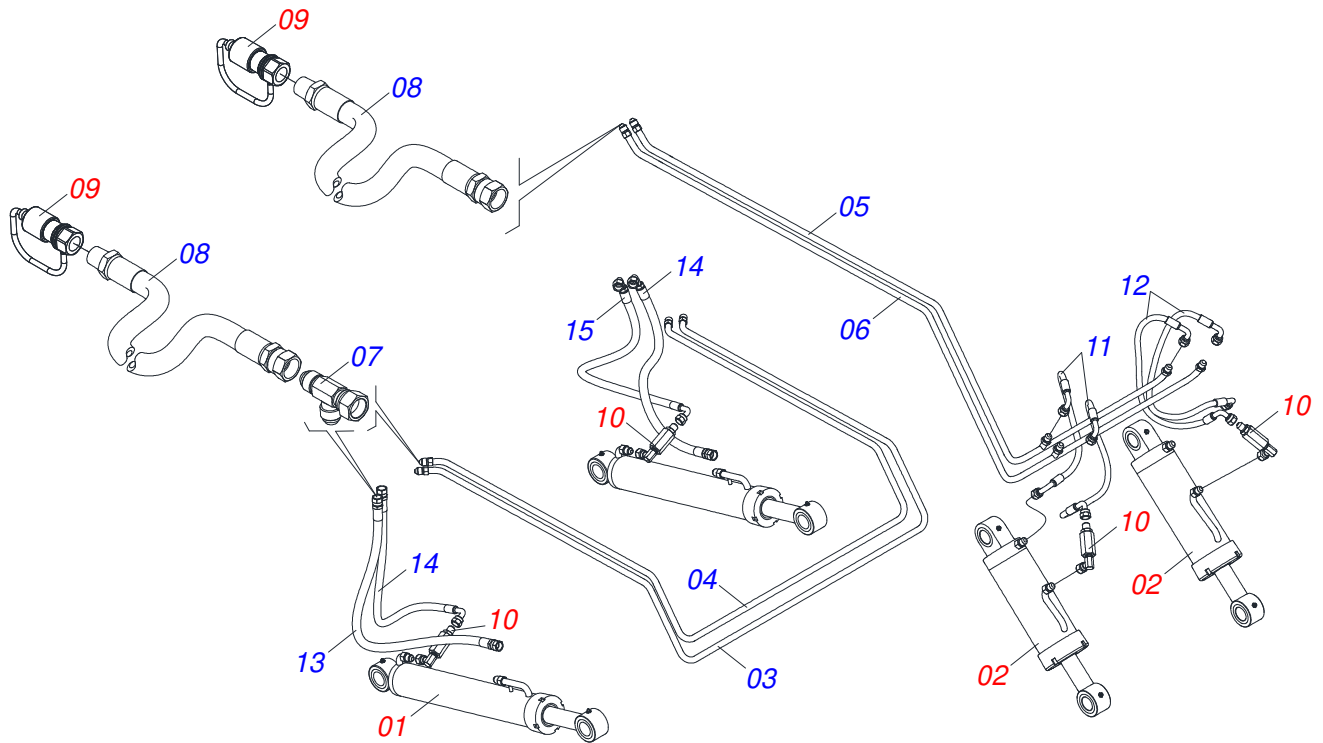


Item	Code	Description	See page	QT
01	0561016401	PLOUGH SUPPORT BODY	02	
02	0511013598	3/4" X 4.7" COUPLING SHAFT	02	
03	0503010071	3/16" X 1" COTTERPIN	08	
04	0511019634	CONTROL LOCK	02	
05	0521012823	COUPLING SHAFT	02	
06	0511017302	FLAT WASHER	08	
07	0561016329	LATCH HOLDER REST PCA	04	
08	0561016619	COMPLEMENTON REST	02	
09	0503014378	1/2" X 1-1/2" BOLT	02	

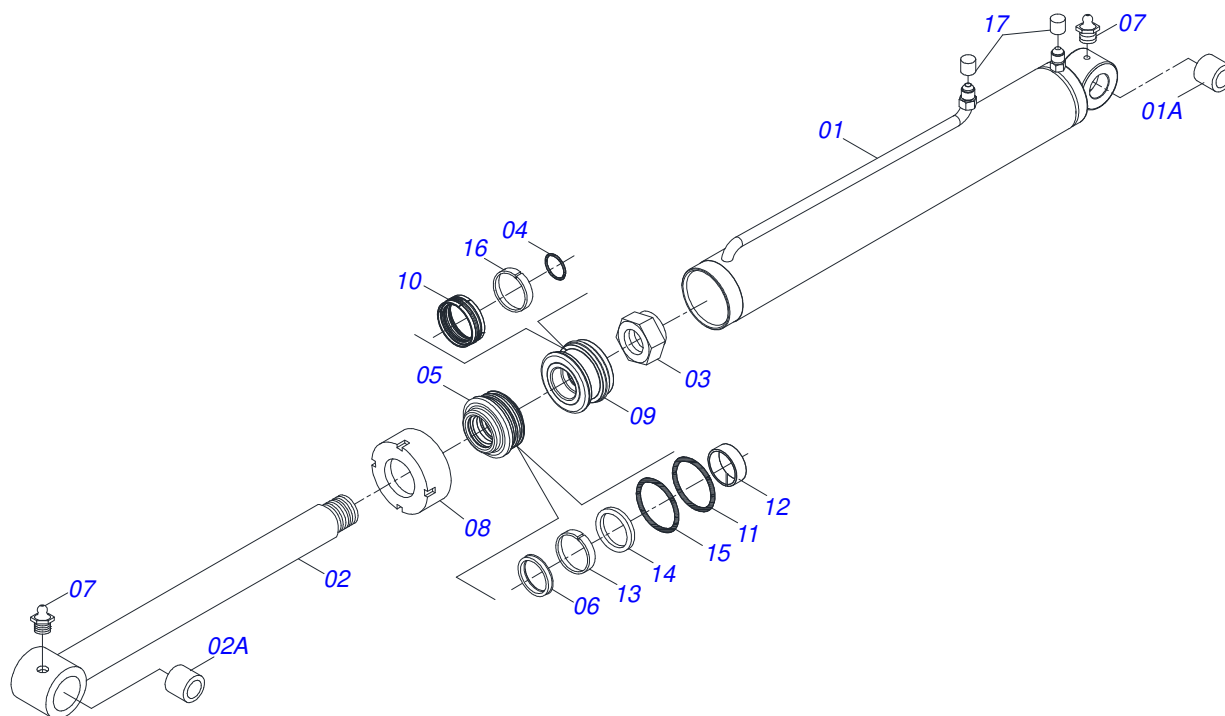


Item	Code	Description	See page	QT
01	0501069146	JOINT SUPPORT PCA 800		01
02	0521012869	COUPLING SHAFT		02
03	0511019685	FLAT WASHER		04
04	0503010534	3/8 X 2-1/2 COTTERPIN		04
05	0521012870	1.46" X 6.18" PIVOT SHAFT		02
06	0503010002	1800 GREASE FITTING		02

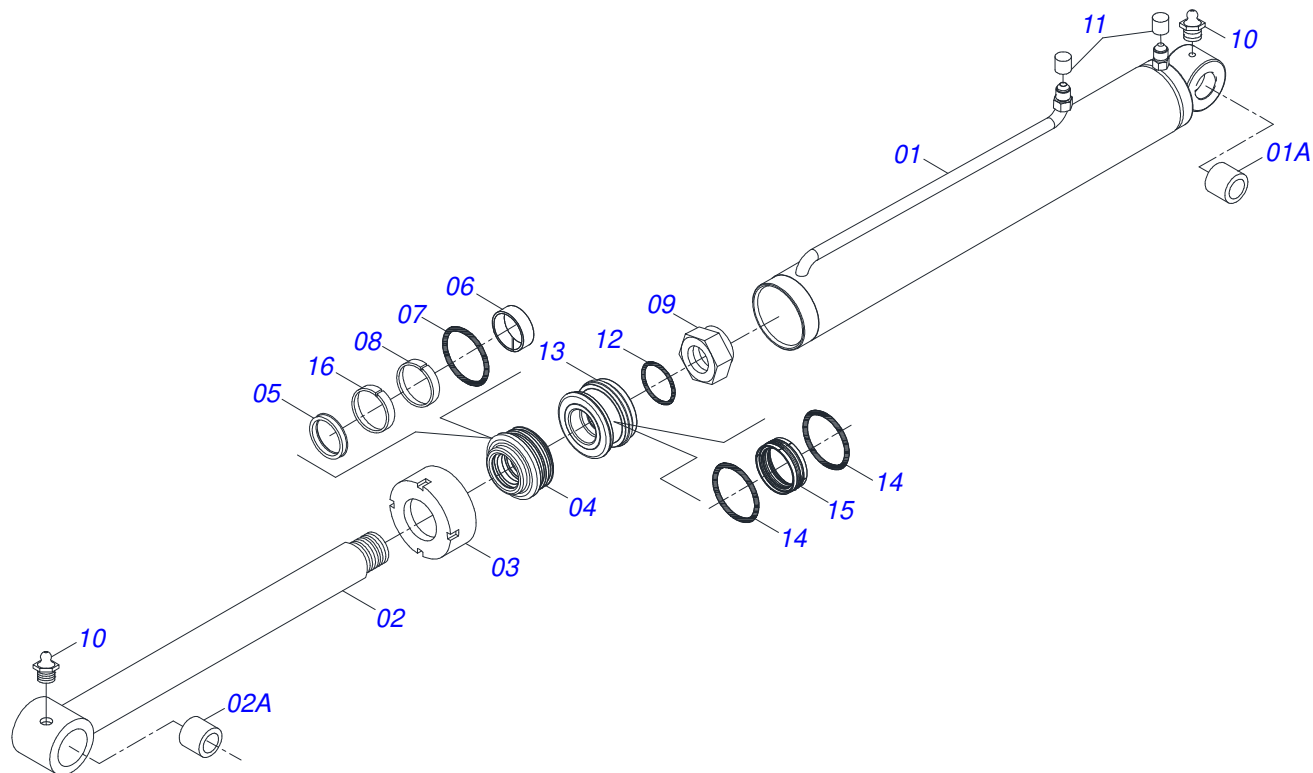




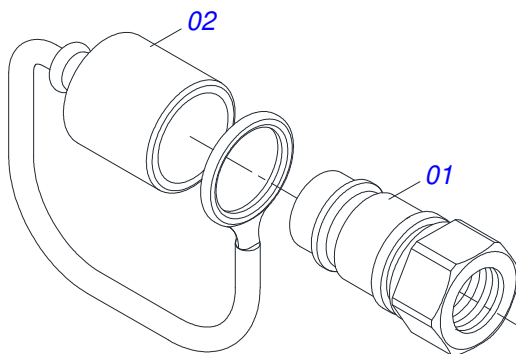
Item	Code	Description	See page	QT
01	0511057974	44,45 X 85,72 X 870 X 593 HYDRAULIC CYLINDER	7	02
02	0511057973	HIDRAULIC CYLINDER 44,45 X 76,20 X 820 X 551	8	02
03	0501069860	OUTER OIL TUBE		01
04	0501069861	INNER OIL TUBE		01
05	0501069857	RIGHT RIGHT OIL TUBE		01
06	0501069858	LH RIGHT OIL TUBE		01
07	0503011968	3/4" 8R6X-S T ADAPTER WITH SWIVEL NUT		02
08	0501081124	HOSE 3/8" X 4200-TM TR		04
09	0501053834	MALE QUICK COUPLER WITH CAP - 1/2 NPT	9	04
10	0511057772	SECURITY VALVE ASSY	10	04
11	0501080688	3/8" X 25" TC-TC 90G HOSE		02
12	0501080777	LH 3/8" X 25.9" TC-TC HOSE		02
13	0501080105	TR-TR HOSE ASSY		01
14	0501080150	HOSE ASSY		02
15	0501080766	3/8" X 27.56" TC-TC HOSE		01



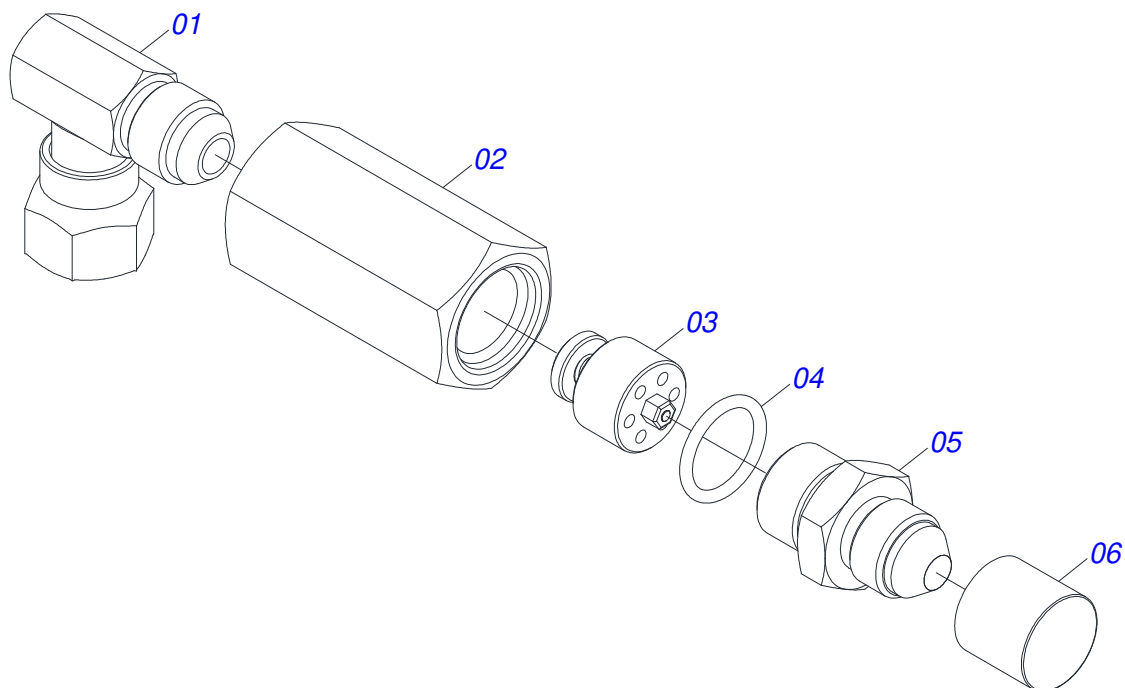
Item	Code	Description	See page	QT
01	0511069198	BODY SHIRT WITH MAKING		01
01A	0521010514	38,1 X 52,9 X 50 SLEEVE INTER		02
02	0521066404	44,45 X 772 TURNBUCKLE		01
03	0503010063	1" SELF-ALIGNING NUT		01
04	0503010042	2-214 N 3006-9B O'RING		01
05	0571019711	RING SUPPORT		01
06	0503010761	D-1750 SCRAPER RING		01
07	0503010002	1800 GREASE FITTING		02
08	0571019709	DETACHABLE COVER		01
09	0571019710	1.7" X 3.4" PISTON		01
10	0503017935	RING		01
11	0503017936	RING		01
12	0503017938	RING GUIDE		01
13	0503017937	GASKET		01
14	0503017940	8-337 BACK-UP RING		02
15	0503017939	2-337 N 3006-9B O' RING		02
16	0503018144	RING		01
17	0503030385	CYLINDER PLUG N-002		02
18	0511032784	HYDRAULIC CYLINDER REPAIR KIT		01



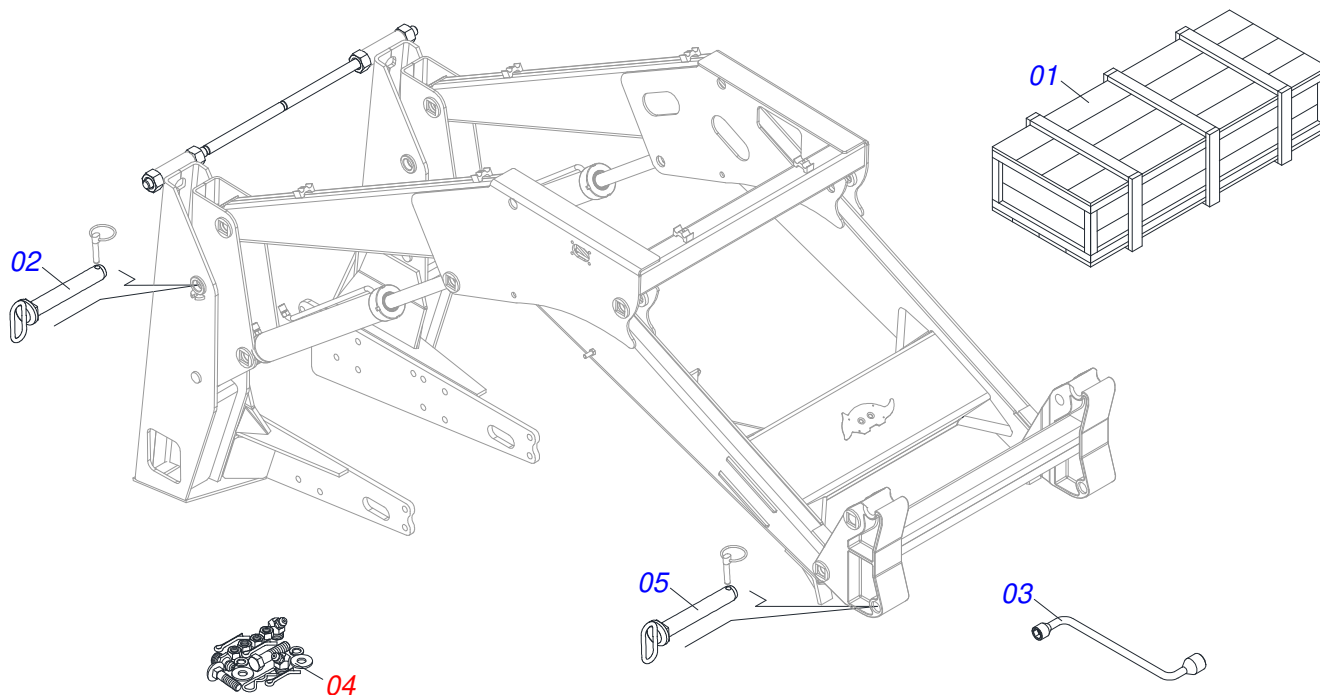
Item	Code	Description	See page	QT
01	0521066381	CYLINDER CASE 76,20 X 723		01
01A	0501110275	BUSHING COUPLING 75 X 38,1 X 50		02
02	0511065578	1.7" X 28.18" TURNBUCLE		01
03	0502012264	RING SUPPORT 1.75" X 3"		01
04	0503010761	D-1750 SCRAPER RING		01
05	0503010949	W2-2000-500 PK RING G.E		01
06	0503010343	2-334 N 3006-9B O'RING		01
07	0503011059	8-334 BACK-UP RING		01
08	0503010063	1" SELF-ALIGNING NUT		01
09	0503010002	1800 GREASE FITTING		02
10	0503030385	CYLINDER PLUG N-002		02
11	0503010042	2-214 N 3006-9B O'RING		01
12	0581010304	PISTON		01
13	0503018138	RING BS		02
14	0503018140	RING GUIDE		01
15	0503017937	GASKET		01
16	0502011899	MOBILE COVER		01
17	0511032725	HYDRAULIC CYLINDER REPAIR KIT		



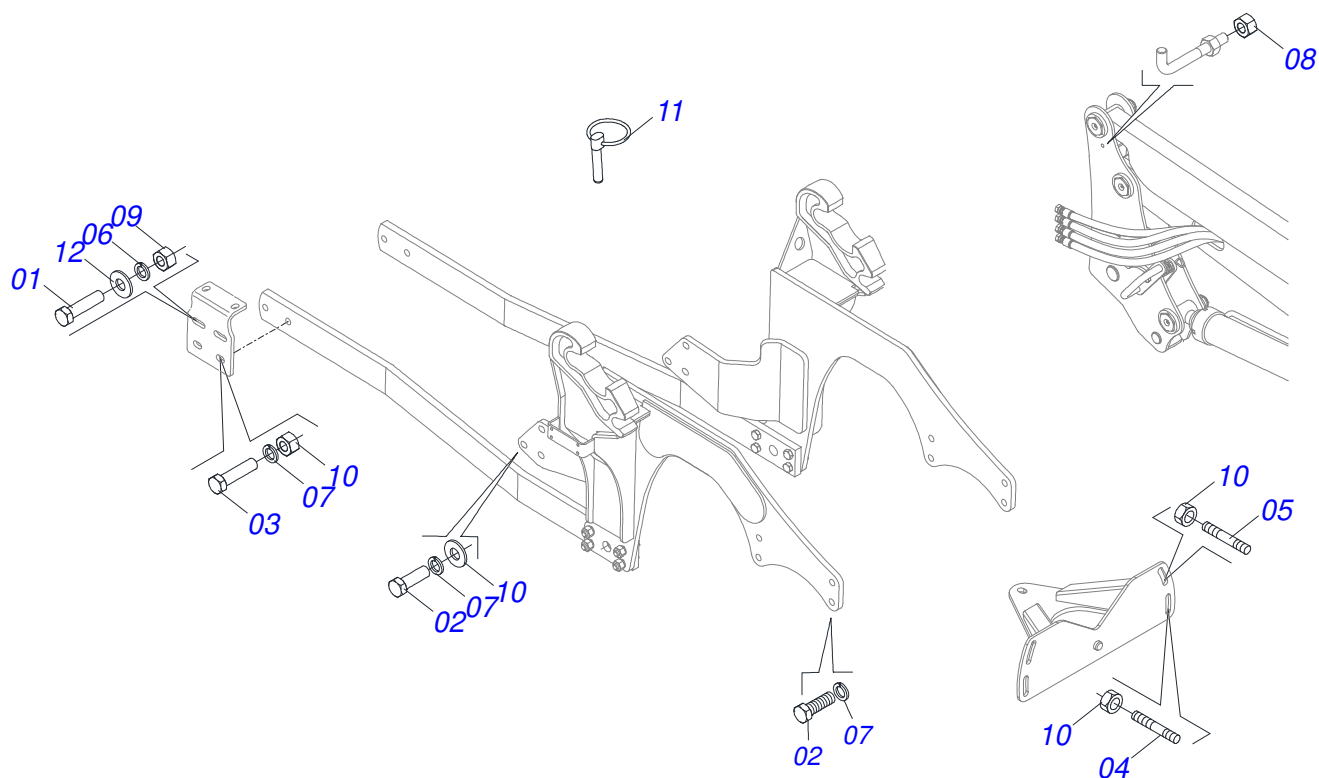
Item	Code	Description	See page	QT
01	0503011627	MALE QUICK COUPLER AGR 1/2 NPT		01
02	0503011882	MALE QUICK COUPLER CAP		01



Item	Code	Description	See page	QT
01	0503018034	MALE KNEE JIC		01
02	0581014055	ADAPTER		01
03	0503016854	VALVE ASSY		01
04	0503010045	O'RING		01
05	0581014054	BSP 1/2" NIPPLE		01
06	0503030385	CYLINDER PLUG N-002		01



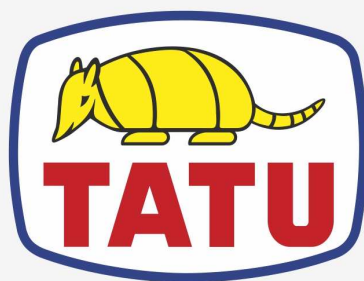
Item	Code	Description	See page	QT
01	0501100126	WOOD BOX		01
02	0521068124	JOINT SHAFT WITH HANDLE - 37,20 X 215 PCA 800/1100		02
03	0501068213	5/8" WRENCH DOUBLE		01
04	0501032977	PACKAGED PARTS	12	01
05	0521066515	37,20 X 240 ARTICULATION SHAFT WITH HANDLE		02



Item	Code	Description	See page	QT
01	0501010100	SCREW 5/8 UNC X 2 CS G.5 ZN		06
02	0503011322	M20 X 2,5 X 50 BOLT		08
03	0501010125	3/4" X 2-1/2" BOLT		10
04	0501010603	3/4" X 3.74" STUD		02
05	0511014160	3/4" X 4.52" STUD		06
06	0503010027	5/8" SPRING WASHER		12
07	0503010023	3/4" SPRING WASHER		32
08	0503010026	3/8" NUT		07
09	0503010013	5/8" NUT		06
10	0503010335	3/4"NUT		08
11	0503030430	7/16 X 2" PIN LOCK		04
12	0501012140	FLAT WASHER		14







**MARCHESAN**

**Technical Publications | Elaboration and Revision**  
LUIZ CANDIDO

[www.marchesan.com.br](http://www.marchesan.com.br)

