

PCA - AGRICULTURAL FRONT LOADER

PCA 800 JD 6300/6405-4 BT SC

Code: 0501093105
Series: S-1299
Revision: 00
Date Revision: AGOSTO/2021

PARTS CATALOGUE



MARCHESAN



PRODUCTS

| Code | Description |
|------------|------------------------------|
| 0106110186 | PCA 800 JD 6300/6405-4 BT SC |

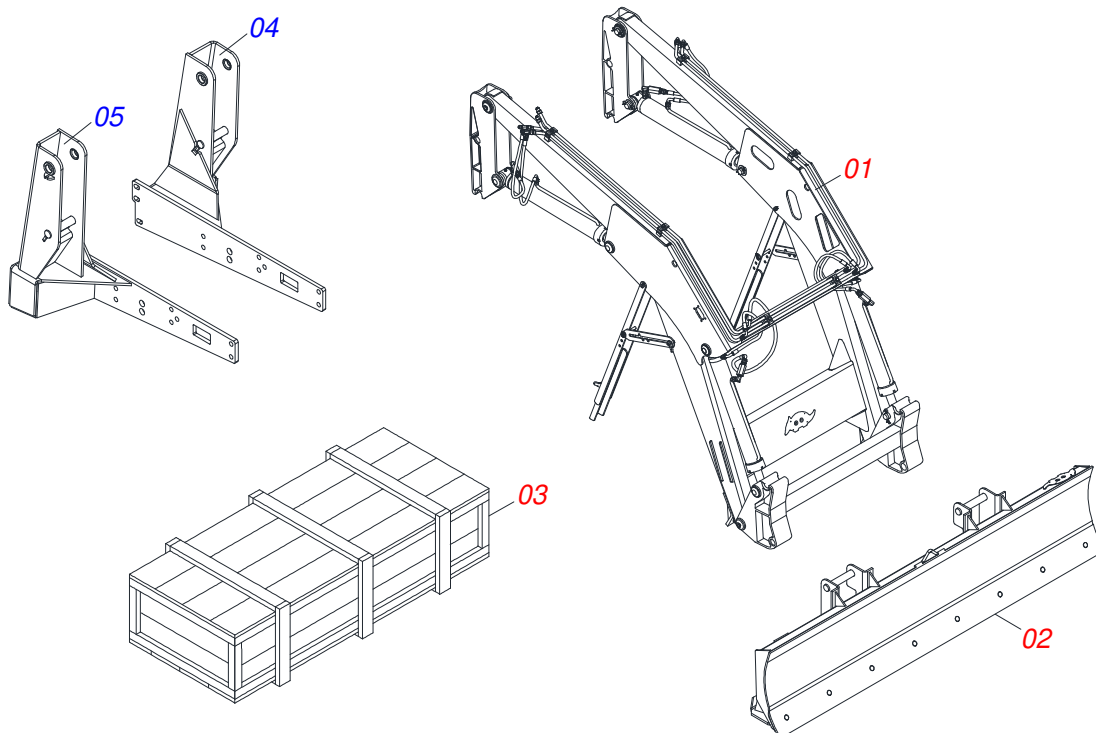
ATTENTION: IMPORTANT

Marchesan S.A. reserves the right to improve and / or modify the technical features of its products, without obligation to do the same with those products already sold and without prior knowledge of the dealer or the consumer.

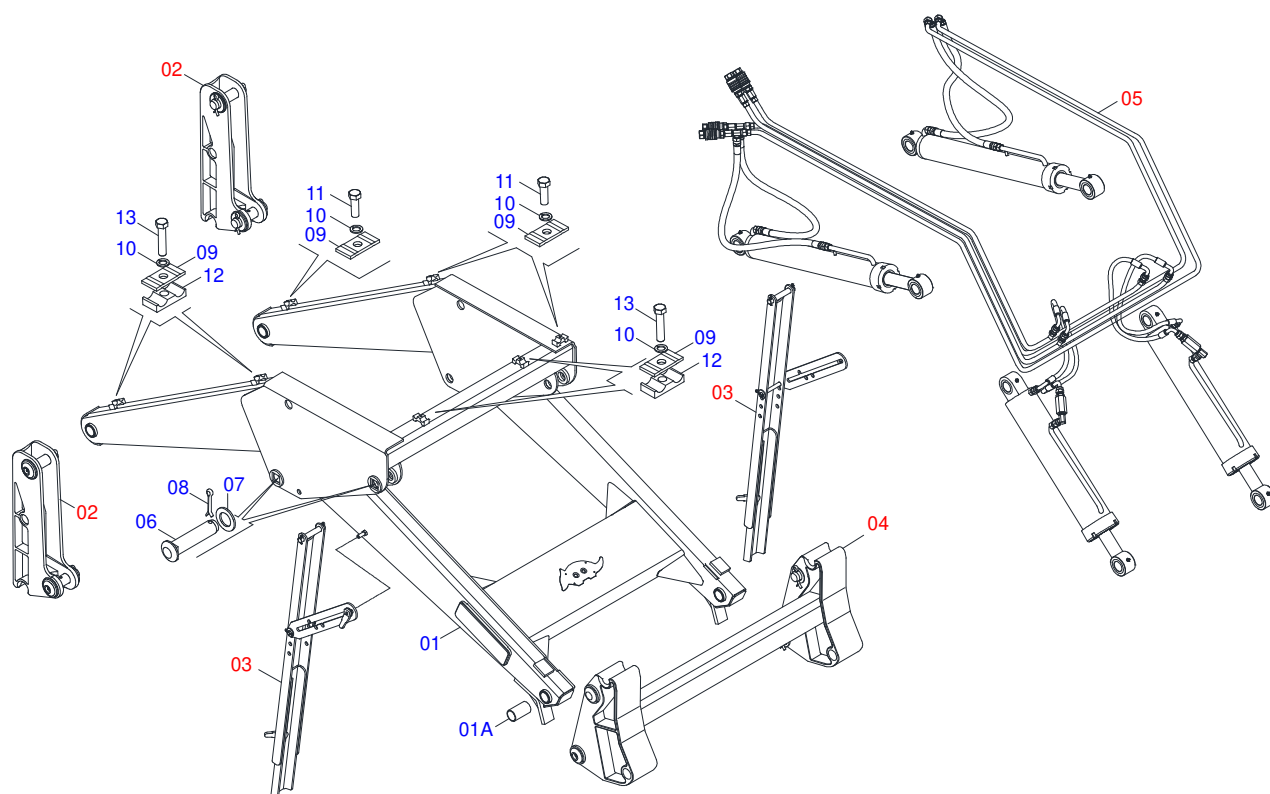


INDEX

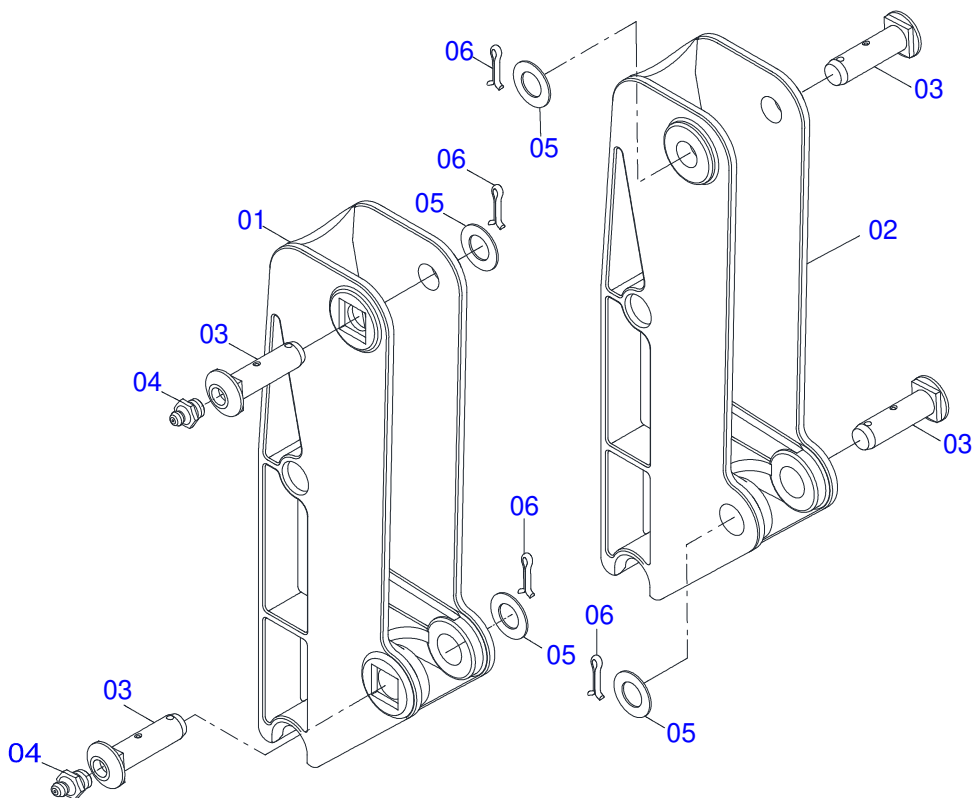
| | | | |
|------------|---|-------|----|
| 0106110186 | PCA 800 JD 6300/6405-4 BT SC | | 1 |
| 0501048629 | COMPLETE MOVEL SUPPORT | | 2 |
| 0909094132 | MOBILLE TOWER - PCA 800 | | 3 |
| 0909092667 | ADJUSTABLE REST OF MOVABLE SUPPORT | | 4 |
| 0909092160 | ARTICULATING SUPPORT - PCA 800 | | 5 |
| 0909092161 | HYDRAULIC CIRCUIT OF MOBILE SUPPORT - PCA 800 | | 6 |
| 0511057974 | 44,45 X 85,72 X 870 X 593 HYDRAULIC CYLINDER | | 7 |
| 0511057973 | HIDRAULIC CYLINDER 44,45 X 76,20 X 820 X 551 | | 8 |
| 0501053834 | MALE QUICK COUPLER WITH CAP - 1/2 NPT | | 9 |
| 0511057772 | SECURITY VALVE ASSY | | 10 |
| 0511043382 | DOZER BLADE 2400 | | 12 |
| 0501027153 | BOX WITH COMPONENTS | | 13 |
| 0501035329 | PACKAGED PARTS | | 14 |



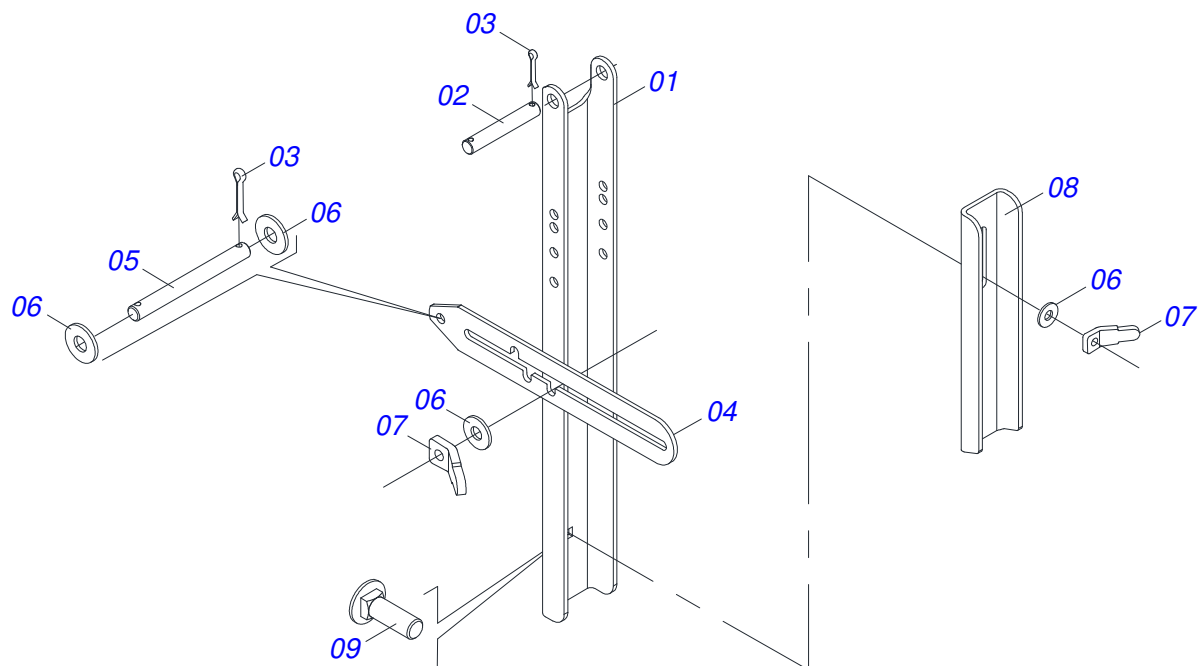
| Item | Code | Description | See page | QT |
|------|------------|-------------------------|----------|----|
| 001 | 0501048629 | COMPLETE MOVEEL SUPPORT | 2 | 01 |
| 002 | 0511043382 | DOZER BLADE 2400 | 12 | 01 |
| 003 | 0501027153 | BOX WITH COMPONENTS | 13 | 01 |
| 004 | 0511064079 | LEFT CHASSIS - SHORT | | 01 |
| 005 | 0511064078 | RIGHT CHASSIS - SHORT | | 01 |



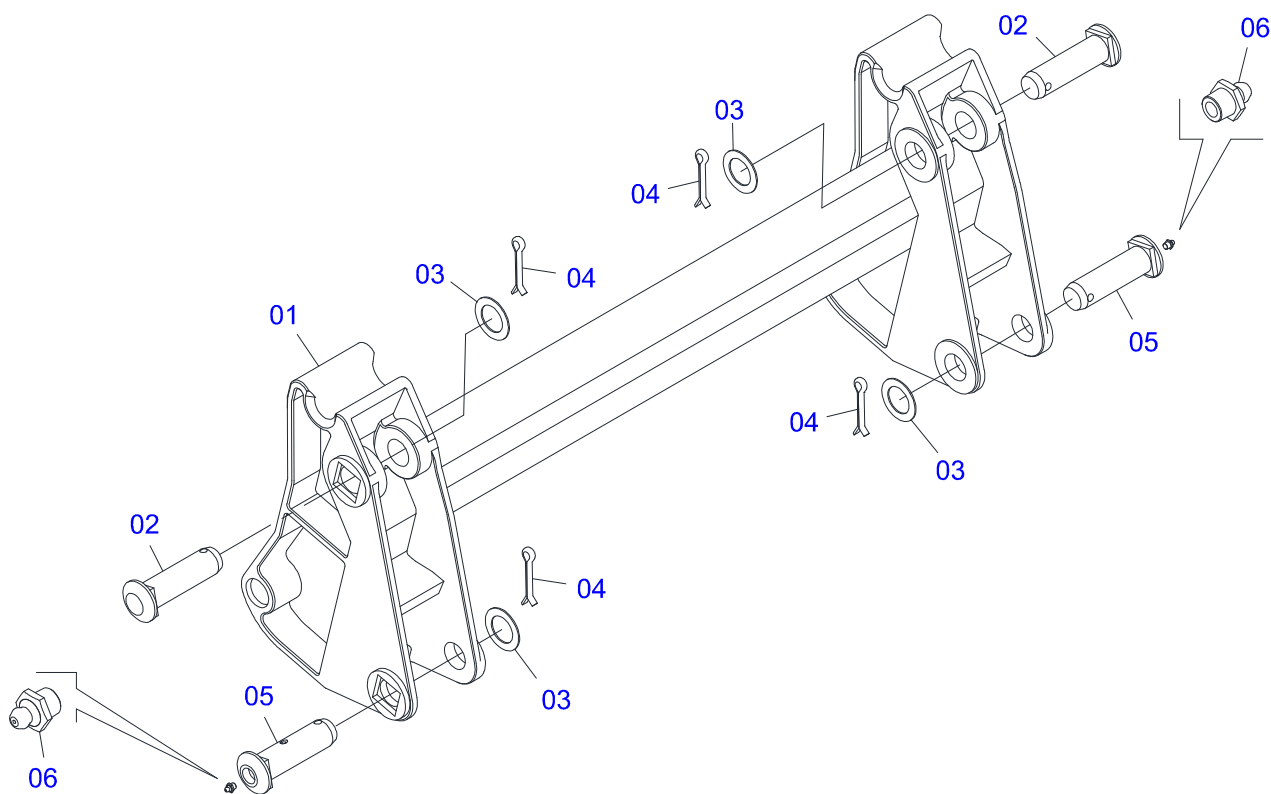
| Item | Code | Description | See page | QT |
|------|------------|---|----------|----|
| 01 | 0501069453 | MOBILE SUPPORT | | 01 |
| 01A | 0541014740 | SLEEVE | | 04 |
| 02 | 0909094132 | MOBILE TOWER - PCA 800 | 3 | 02 |
| 03 | 0909092667 | ADJUSTABLE REST OF MOVABLE SUPPORT | 4 | 02 |
| 04 | 0909092160 | ARTICULATING SUPPORT - PCA 800 | 5 | 01 |
| 05 | 0909092161 | HYDRAULIC CIRCUIT OF MOBILE SUPPORT - PCA 800 | 6 | 01 |
| 06 | 0521012868 | 1.4" X 5" PIVOT SHAFT | | 04 |
| 07 | 0511019685 | FLAT WASHER | | 04 |
| 08 | 0503010534 | 3/8 X 2-1/2 COTTERPIN | | 04 |
| 09 | 0531011180 | UPPER BODY CLIP | | 06 |
| 10 | 0503010180 | 7/16" SPRING WASHER | | 06 |
| 11 | 0503011102 | BOLT 7/16 UNC X 1.1/4 C S G.5 ZN | | 03 |
| 12 | 0502010477 | HOSE CLAMP | | 03 |
| 13 | 0503012555 | SCREW 7/16 UNC X 2 CS RT G.7 ZN | | 03 |



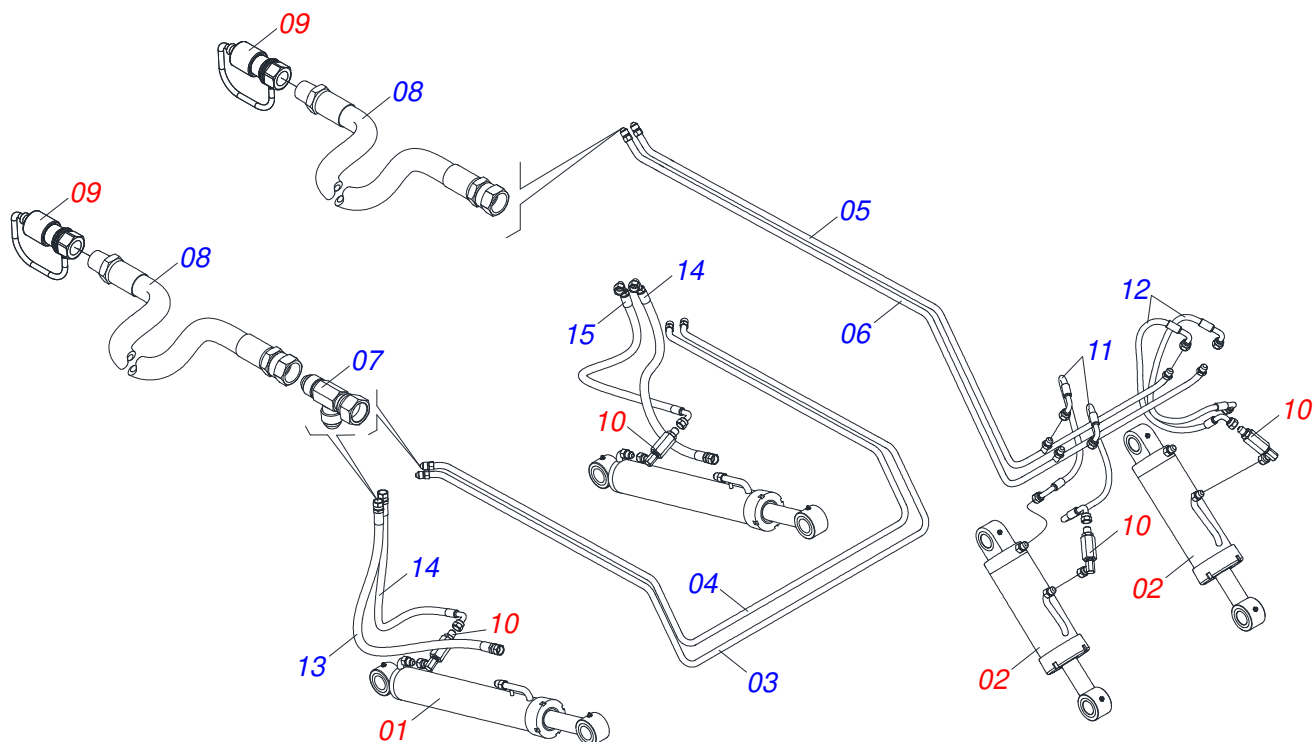
| Item | Code | Description | See page | QT |
|------|------------|---------------------------|----------|----|
| 01 | 0502012472 | MOBILE TOWER | | 01 |
| 02 | 0502012473 | LEFT MOBILE TOWER | | 01 |
| 03 | 0521012870 | 1.46" X 6.18" PIVOT SHAFT | | 04 |
| 04 | 0503010002 | 1800 GREASE FITTING | | 04 |
| 05 | 0511019685 | FLAT WASHER | | 04 |
| 06 | 0503010534 | 3/8 X 2-1/2 COTTERPIN | | 04 |



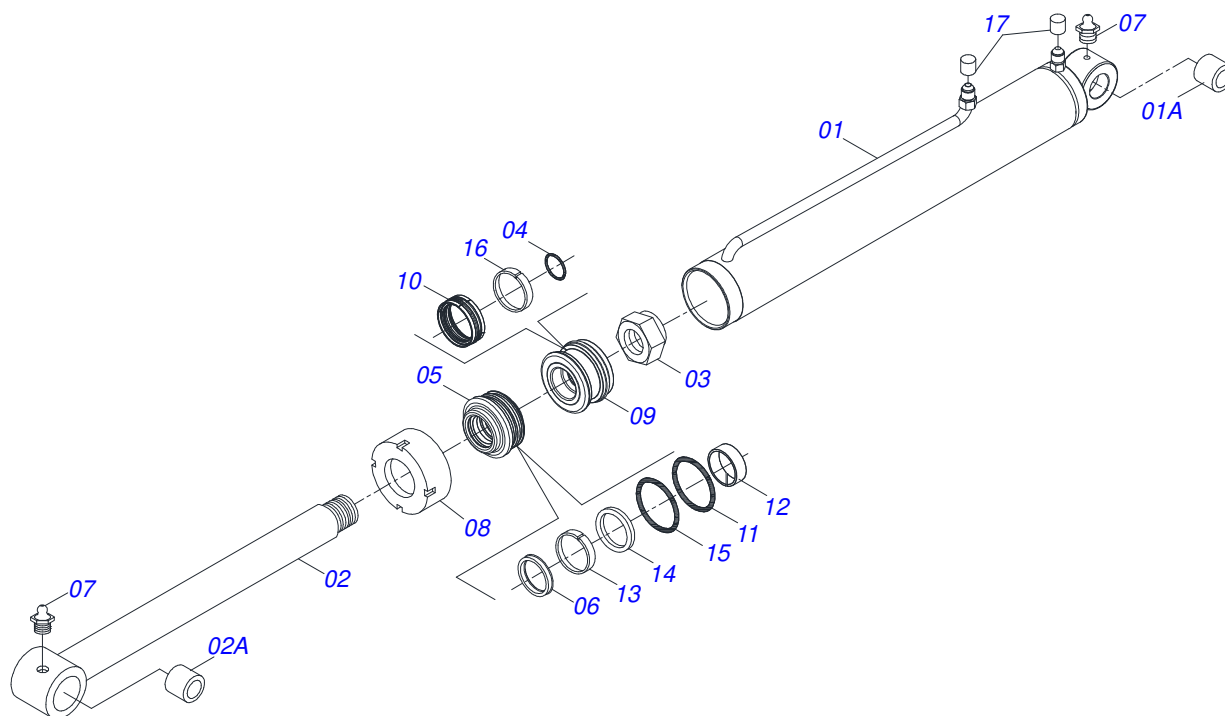
| Item | Code | Description | See page | QT |
|------|------------|----------------------------|----------|----|
| 01 | 0561016401 | PLOUGH SUPPORT BODY | | 02 |
| 02 | 0511013598 | 3/4" X 4.7" COUPLING SHAFT | | 02 |
| 03 | 0503010071 | 3/16" X 1" COTTERPIN | | 08 |
| 04 | 0511019634 | CONTROL LOCK | | 02 |
| 05 | 0521012823 | COUPLING SHAFT | | 02 |
| 06 | 0511017302 | FLAT WASHER | | 08 |
| 07 | 0561016329 | LATCH HOLDER REST PCA | | 04 |
| 08 | 0561016619 | COMPLEMENTON REST | | 02 |
| 09 | 0503014378 | 1/2" X 1-1/2" BOLT | | 02 |



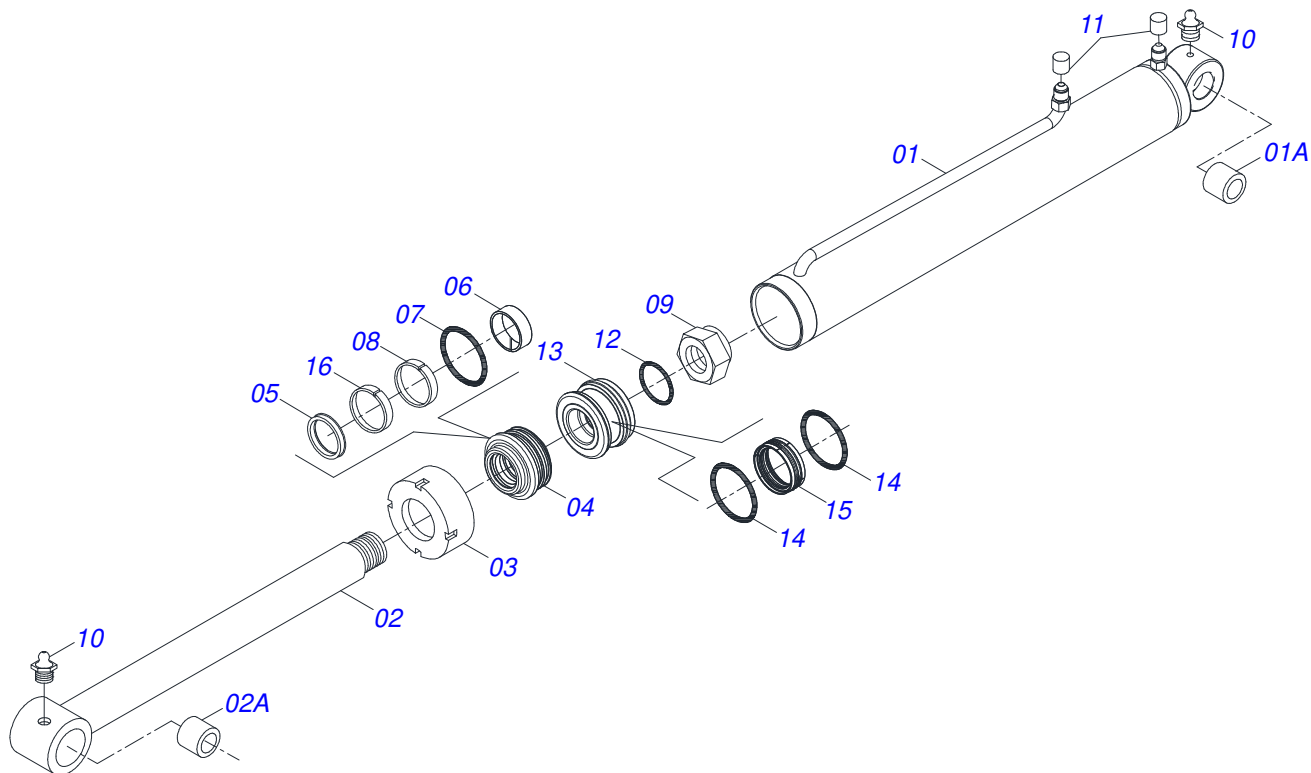
| Item | Code | Description | See page | QT |
|------|------------|---------------------------|----------|----|
| 01 | 0501069146 | JOINT SUPPORT PCA 800 | | 01 |
| 02 | 0521012869 | COUPLING SHAFT | | 02 |
| 03 | 0511019685 | FLAT WASHER | | 04 |
| 04 | 0503010534 | 3/8 X 2-1/2 COTTERPIN | | 04 |
| 05 | 0521012870 | 1.46" X 6.18" PIVOT SHAFT | | 02 |
| 06 | 0503010002 | 1800 GREASE FITTING | | 02 |



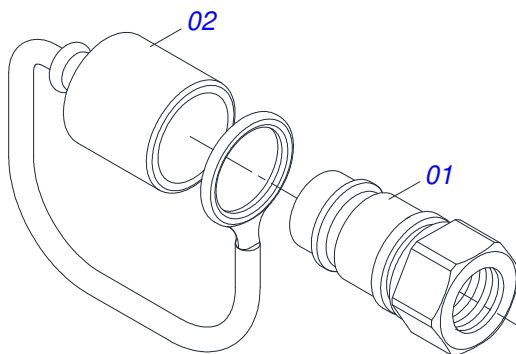
| Item | Code | Description | See page | QT |
|------|------------|--|----------|----|
| 01 | 0511057974 | 44,45 X 85,72 X 870 X 593 HYDRAULIC CYLINDER | 7 | 02 |
| 02 | 0511057973 | HIDRAULIC CYLINDER 44,45 X 76,20 X 820 X 551 | 8 | 02 |
| 03 | 0501069860 | OUTER OIL TUBE | | 01 |
| 04 | 0501069861 | INNER OIL TUBE | | 01 |
| 05 | 0501069857 | RIGHT RIGHT OIL TUBE | | 01 |
| 06 | 0501069858 | LH RIGHT OIL TUBE | | 01 |
| 07 | 0503011968 | 3/4" 8R6X-S T ADAPTER WITH SWIVEL NUT | | 02 |
| 08 | 0501081124 | HOSE 3/8" X 4200-TM TR | | 04 |
| 09 | 0501053834 | MALE QUICK COUPLER WITH CAP - 1/2 NPT | 9 | 04 |
| 10 | 0511057772 | SECURITY VALVE ASSY | 10 | 04 |
| 11 | 0501080688 | 3/8" X 25" TC-TC 90G HOSE | | 02 |
| 12 | 0501080777 | LH 3/8" X 25.9" TC-TC HOSE | | 02 |
| 13 | 0501080105 | TR-TR HOSE ASSY | | 01 |
| 14 | 0501080150 | HOSE ASSY | | 02 |
| 15 | 0501080766 | 3/8" X 27.56" TC-TC HOSE | | 01 |



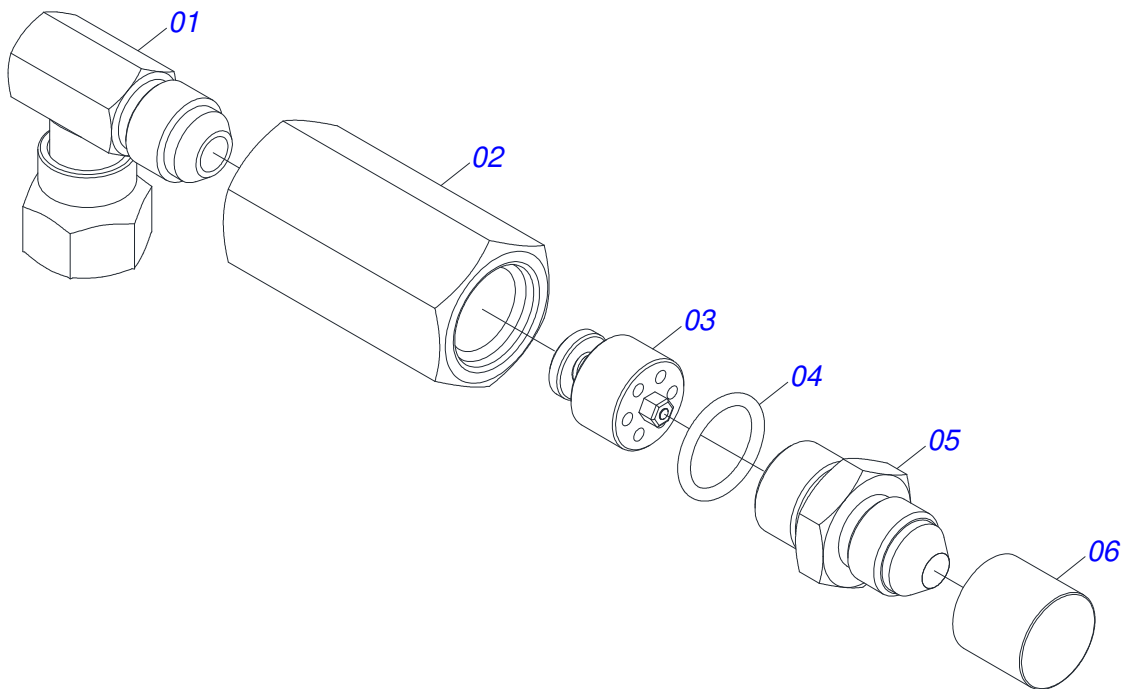
| Item | Code | Description | See page | QT |
|------|------------|-------------------------------|----------|----|
| 01 | 0511069198 | BODY SHIRT WITH MAKING | | 01 |
| 01A | 0521010514 | 38,1 X 52,9 X 50 SLEEVE INTER | | 02 |
| 02 | 0521066404 | 44,45 X 772 TURNBUCKLE | | 01 |
| 03 | 0503010063 | 1" SELF-ALIGNING NUT | | 01 |
| 04 | 0503010042 | 2-214 N 3006-9B O'RING | | 01 |
| 05 | 0571019711 | RING SUPPORT | | 01 |
| 06 | 0503010761 | D-1750 SCRAPER RING | | 01 |
| 07 | 0503010002 | 1800 GREASE FITTING | | 02 |
| 08 | 0571019709 | DETACHABLE COVER | | 01 |
| 09 | 0571019710 | 1.7" X 3.4" PISTON | | 01 |
| 10 | 0503017935 | RING | | 01 |
| 11 | 0503017936 | RING | | 01 |
| 12 | 0503017938 | RING GUIDE | | 01 |
| 13 | 0503017937 | GASKET | | 01 |
| 14 | 0503017940 | 8-337 BACK-UP RING | | 02 |
| 15 | 0503017939 | 2-337 N 3006-9B O' RING | | 02 |
| 16 | 0503018144 | RING | | 01 |
| 17 | 0503030385 | CYLINDER PLUG N-002 | | 02 |
| 18 | 0511032784 | HYDRAULIC CYLINDER REPAIR KIT | | 01 |



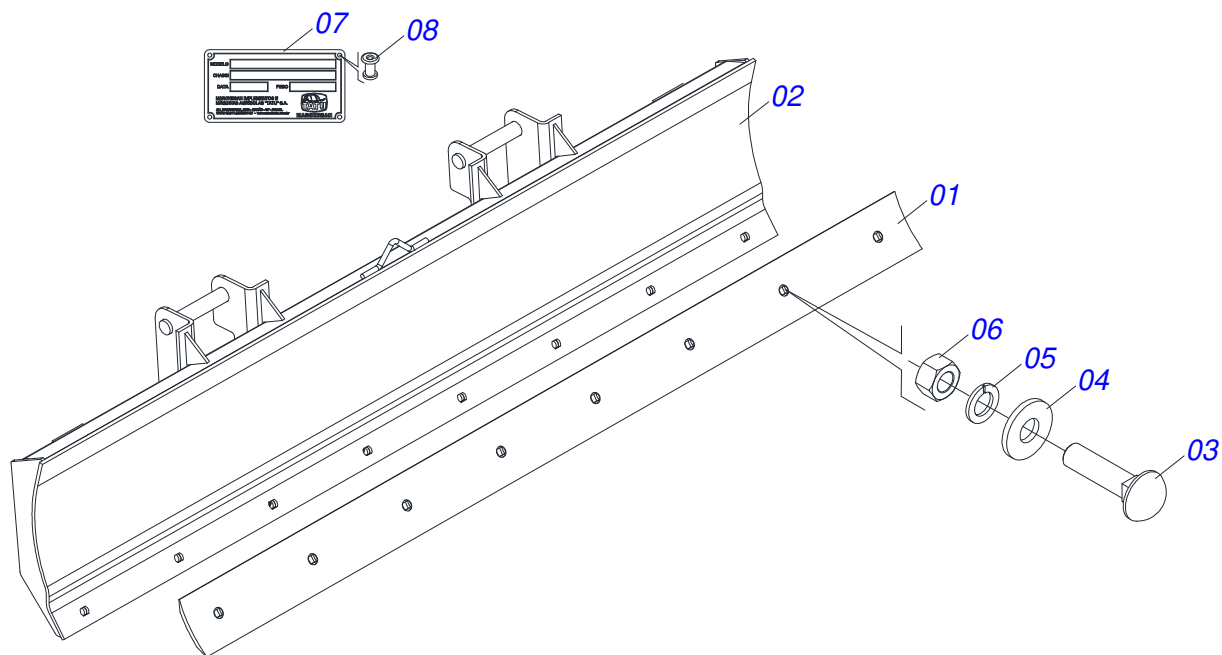
| Item | Code | Description | See page | QT |
|------|------------|---------------------------------|----------|----|
| 01 | 0521066381 | CYLINDER CASE 76,20 X 723 | | 01 |
| 01A | 0501110275 | BUSHING COUPLING 75 X 38,1 X 50 | | 02 |
| 02 | 0511065578 | 1.7" X 28.18" TURNBUCLE | | 01 |
| 03 | 0502012264 | RING SUPPORT 1.75" X 3" | | 01 |
| 04 | 0503010761 | D-1750 SCRAPER RING | | 01 |
| 05 | 0503010949 | W2-2000-500 PK RING G.E | | 01 |
| 06 | 0503010343 | 2-334 N 3006-9B O'RING | | 01 |
| 07 | 0503011059 | 8-334 BACK-UP RING | | 01 |
| 08 | 0503010063 | 1" SELF-ALIGNING NUT | | 01 |
| 09 | 0503010002 | 1800 GREASE FITTING | | 02 |
| 10 | 0503030385 | CYLINDER PLUG N-002 | | 02 |
| 11 | 0503010042 | 2-214 N 3006-9B O'RING | | 01 |
| 12 | 0581010304 | PISTON | | 01 |
| 13 | 0503018138 | RING BS | | 02 |
| 14 | 0503018140 | RING GUIDE | | 01 |
| 15 | 0503017937 | GASKET | | 01 |
| 16 | 0502011899 | MOBILE COVER | | 01 |
| 17 | 0511032725 | HYDRAULIC CYLINDER REPAIR KIT | | |



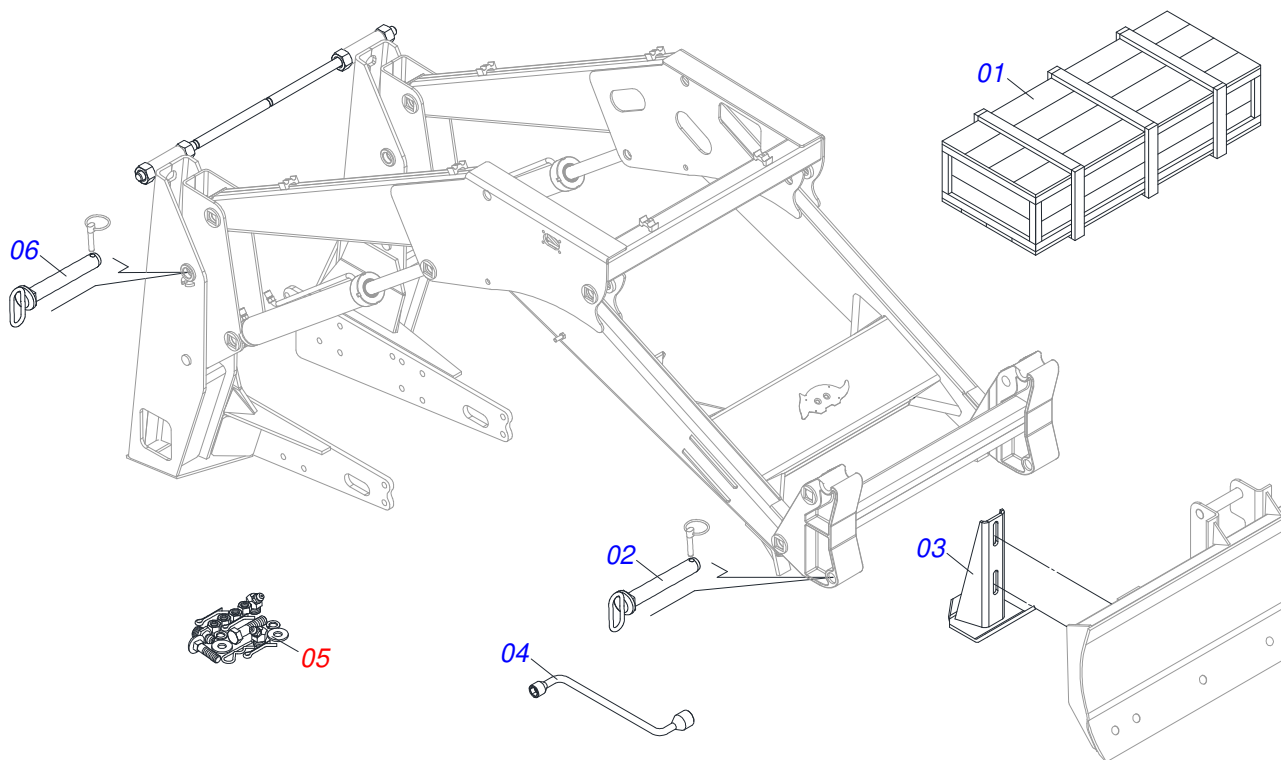
| Item | Code | Description | See page | QT |
|------|------------|--------------------------------|----------|----|
| 01 | 0503011627 | MALE QUICK COUPLER AGR 1/2 NPT | | 01 |
| 02 | 0503011882 | MALE QUICK COUPLER CAP | | 01 |



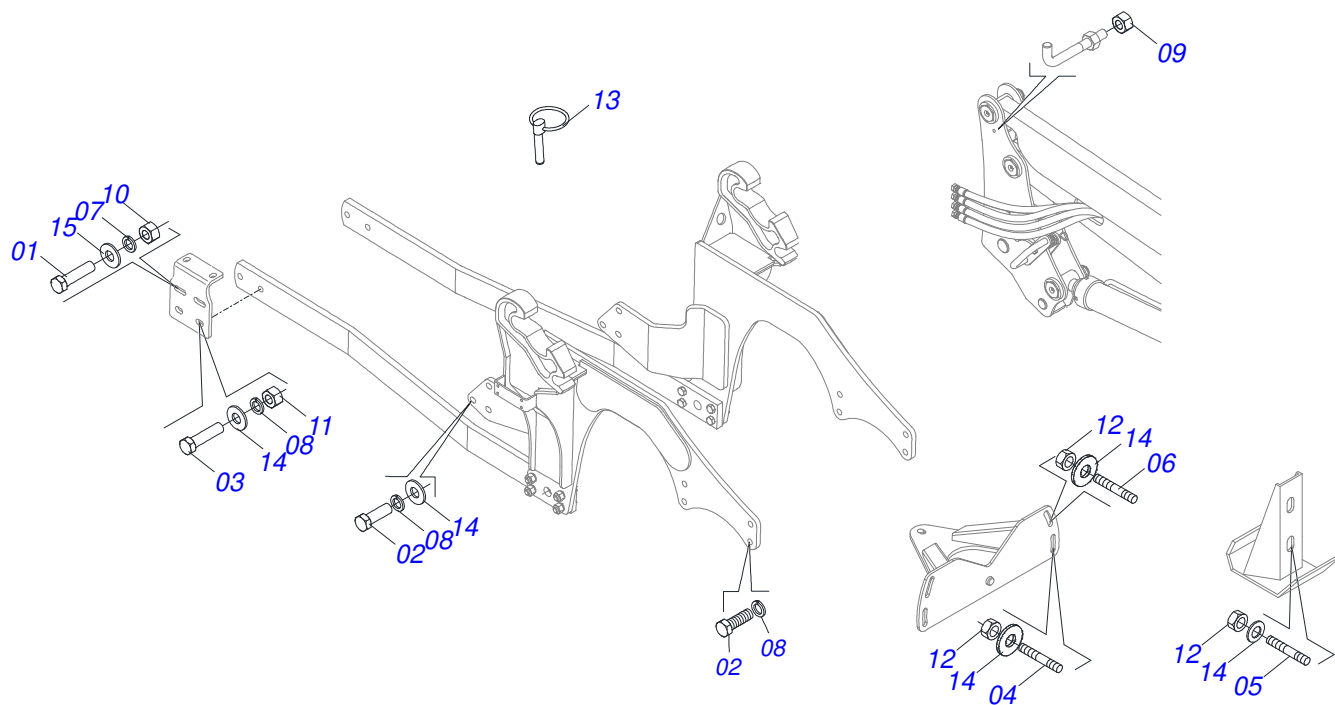
| Item | Code | Description | See page | QT |
|------|------------|---------------------|----------|----|
| 01 | 0503018034 | MALE KNEE JIC | | 01 |
| 02 | 0581014055 | ADAPTER | | 01 |
| 03 | 0503016854 | VALVE ASSY | | 01 |
| 04 | 0503010045 | O'RING | | 01 |
| 05 | 0581014054 | BSP 1/2" NIPPLE | | 01 |
| 06 | 0503030385 | CYLINDER PLUG N-002 | | 01 |



| Item | Code | Description | See page | QT |
|------|------------|----------------------------|----------|----|
| 01 | 0622360016 | 94.5" SCRAPER REVERSIBLE | | 01 |
| 02 | 0501069112 | 2400MM DOZER BLADE | | 01 |
| 03 | 0501812240 | BOLT | | 08 |
| 04 | 0501812140 | FLAT WASHER | | 08 |
| 05 | 0503011445 | SPRING WASHER | | 08 |
| 06 | 0503810013 | NUT 5/8 NC | | 08 |
| 07 | 0503034003 | SERIAL NUMBER TAG 61 X 118 | | 01 |
| 08 | 0503010001 | 3.2 X 5.5 RIVET | | 04 |



| Item | Code | Description | See page | QT |
|------|------------|--|----------|----|
| 01 | 0501100126 | WOOD BOX | | 01 |
| 02 | 0521068124 | JOINT SHAFT WITH HANDLE - 37,20 X 215 PCA 800/1100 | | 02 |
| 03 | 0501063411 | ESTABILIZER BRACKET | | 02 |
| 04 | 0501068213 | 5/8" WRENCH DOUBLE | | 01 |
| 05 | 0501035329 | PACKAGED PARTS | 14 | 01 |
| 06 | 0521066515 | 37,20 X 240 ARTICULATION SHAFT WITH HANDLE | | 02 |



| Item | Code | Description | See page | QT |
|------|------------|---------------------------------|----------|----|
| 01 | 0501010100 | SCREW 5/8 UNC X 2 CS G.5 ZN | | 06 |
| 02 | 0503011322 | M20 X 2,5 X 50 BOLT | | 08 |
| 03 | 0501010125 | 3/4" X 2-1/2" BOLT | | 10 |
| 04 | 0501010603 | 3/4" X 3.74" STUD | | 02 |
| 05 | 0511014160 | 3/4" X 4.52" STUD | | 06 |
| 06 | 0561016756 | 3/4 UNC X 3/4 UNC X 56 PRISONER | | 04 |
| 07 | 0503010027 | 5/8" SPRING WASHER | | 12 |
| 08 | 0503010023 | 3/4" SPRING WASHER | | 32 |
| 09 | 0503010026 | 3/8" NUT | | 07 |
| 10 | 0503010013 | 5/8" NUT | | 06 |
| 11 | 0503010014 | 3/4" NUT | | 08 |
| 12 | 0503010335 | 3/4"NUT | | 08 |
| 13 | 0503030430 | 7/16 X 2" PIN LOCK | | 04 |
| 14 | 0501010322 | FLAT WASHER | | 08 |
| 15 | 0501012140 | FLAT WASHER | | 14 |



MARCHESAN

Technical Publications | Elaboration and Revision

LUIZ CANDIDO

www.marchesan.com.br

