

**PCA - AGRICULTURAL FRONT LOADER**

## **PCA 800 FNH 6630/7630-4 SHT**

**Code:** 0501093104  
**Series:** S-0899  
**Revision:** 00  
**Date Revision:** AGOSTO/2021

# **PARTS CATALOGUE**



**MARCHESAN**



# PRODUCTS

Code	Description
0106110266	PCA 800 FNH 6630/7630-4 SHT

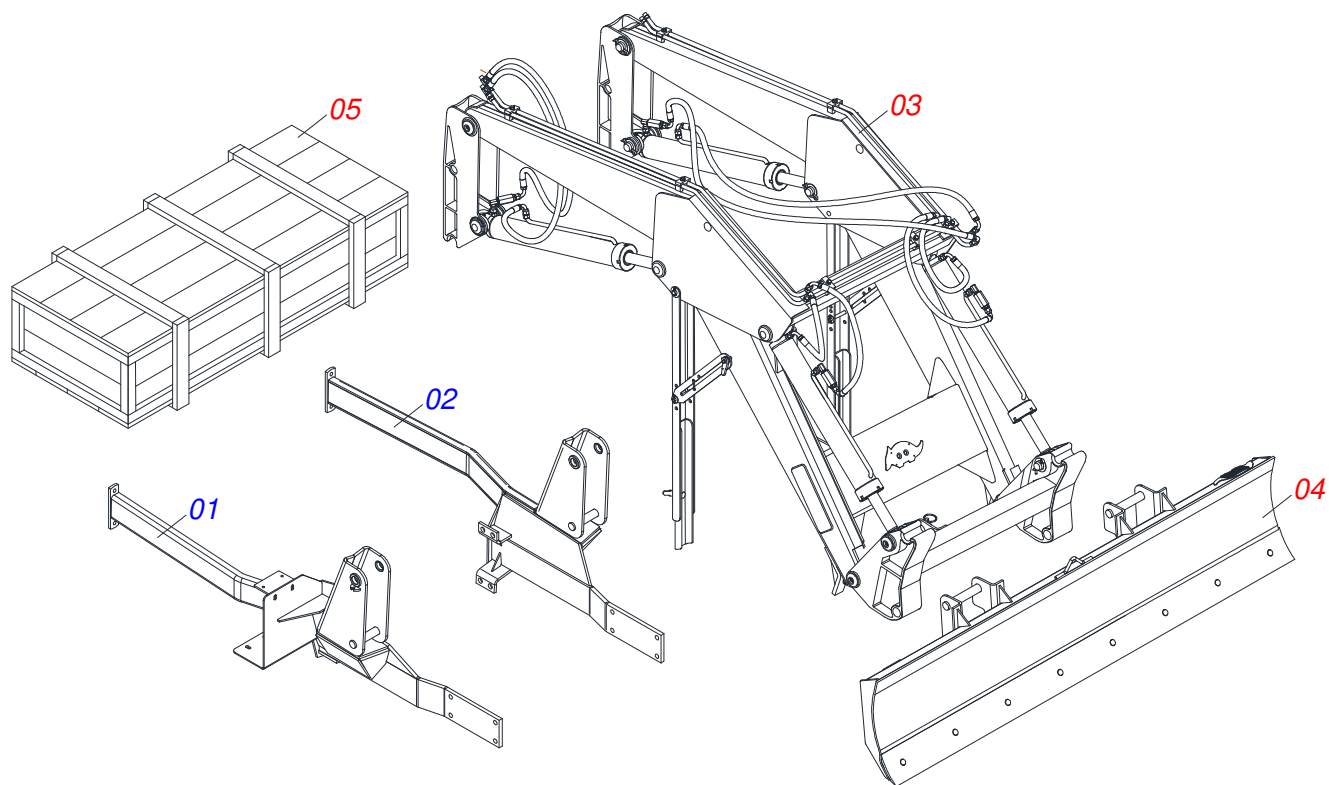
## ATTENTION: IMPORTANT

Marchesan S.A. reserves the right to improve and / or modify the technical features of its products, without obligation to do the same with those products already sold and without prior knowledge of the dealer or the consumer.

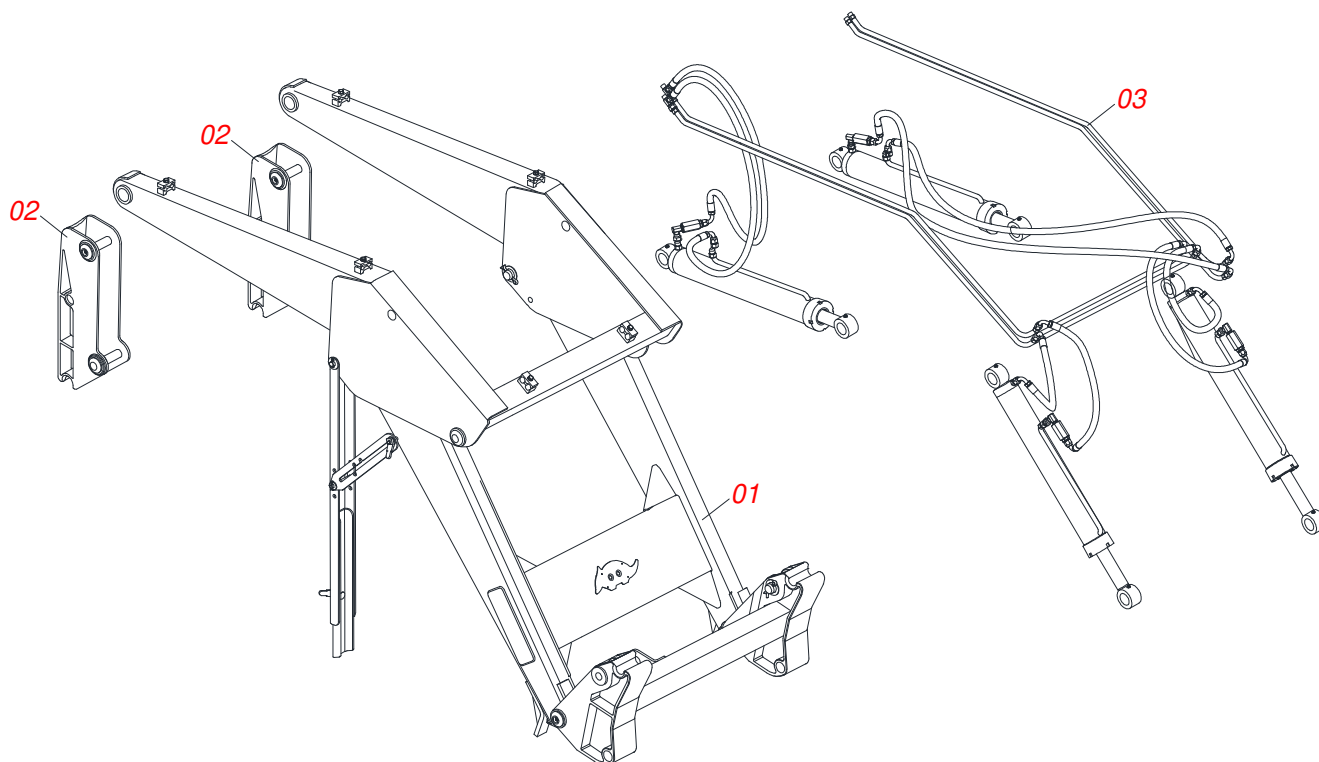


# INDEX

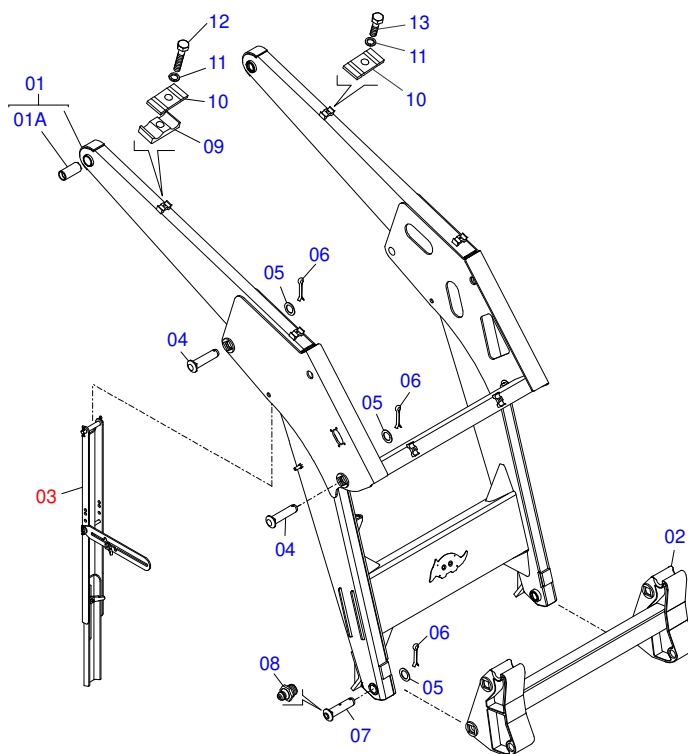
0106110266	PCA 800 FNH 6630/7630-4 SHT	.....	1
0501048062	FULL MOBILE SUPPORT - PCA 800 SHT CD	.....	2
0909092666	MOBILE HOLDER PCA 800 BT CD	.....	3
0909092667	ADJUSTABLE REST OF MOVABLE SUPPORT	.....	4
0909094132	MOBILE TOWER - PCA 800	.....	5
0909092665	HYDRAULIC CIRCUIT OF MOBILE SUPPORT - PCA 800	.....	6
0501053835	FEMALE QUICK COUPLER	.....	7
0511057974	44,45 X 85,72 X 870 X 593 HYDRAULIC CYLINDER	.....	8
0511057772	SECURITY VALVE ASSY	.....	9
0511057973	HIDRAULIC CYLINDER 44,45 X 76,20 X 820 X 551	.....	10
0511043382	DOZER BLADE 2400	.....	11
0501026826	BOX WITH COMPONENTS	.....	12
0501047575	OIL RESERVOIR ASSY	.....	13
0501041627	1/2" DOUBLE COMMAND	.....	14
0501041108	RETURNING FILTER ASSY	.....	15
0501044573	FULL PUMP WITH PIPELINES - F5600/6630	.....	16
0501035337	PACKAGED PARTS	.....	17
0501053834	MALE QUICK COUPLER WITH CAP - 1/2 NPT	.....	18



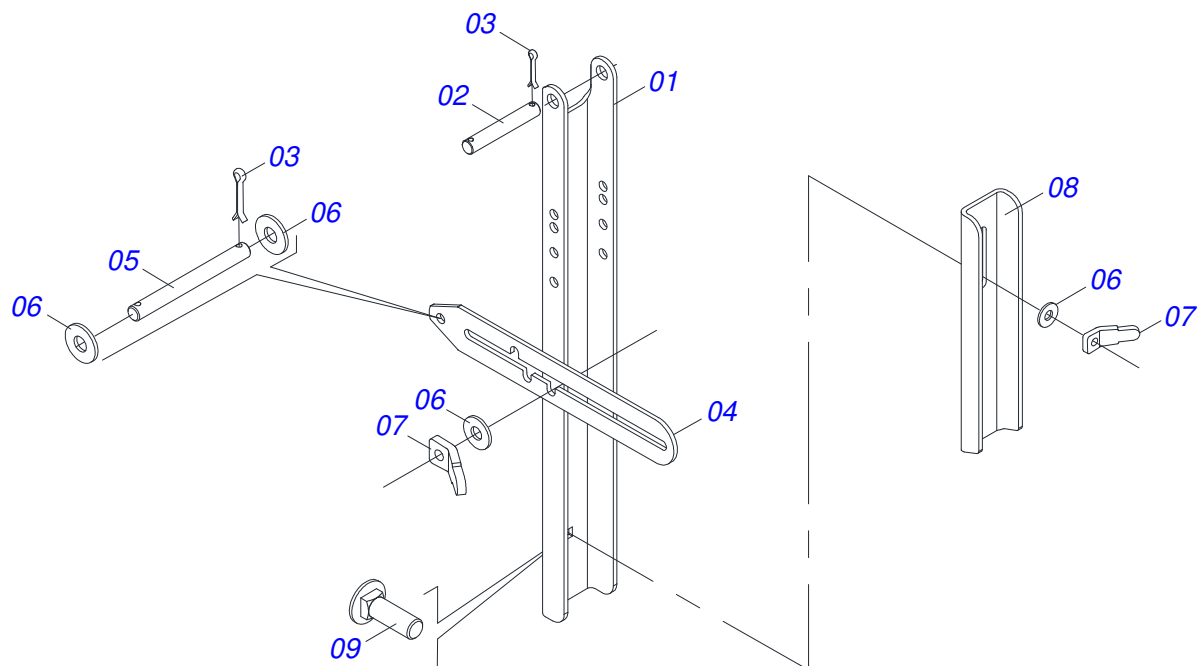
Item	Code	Description	See page	QT
01	0511061003	RIGHT CHASSIS		01
02	0511061004	LEFT CHASSIS		01
03	0501048062	FULL MOBILE SUPPORT - PCA 800 SHT CD	2	01
04	0511043382	DOZER BLADE 2400	11	01
05	0501026826	BOX WITH COMPONENTS	12	01



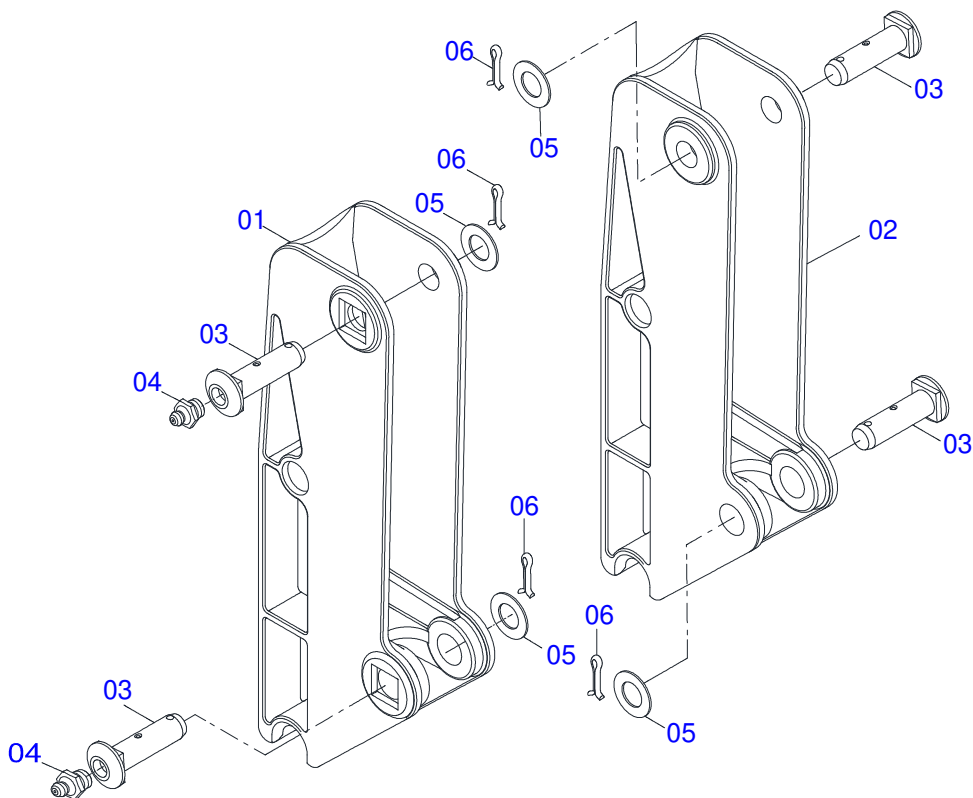
Item	Code	Description	See page	QT
01	0909092666	MOBILE HOLDER PCA 800 BT CD	3	01
02	0909094132	MOBILE TOWER - PCA 800	5	01
03	0909092665	HYDRAULIC CIRCUIT OF MOBILE SUPPORT - PCA 800	6	01



Item	Code	Description	See page	QT
01	0501069453	MOBILE SUPPORT		01
01A	0501110286	SLEEVE		04
02	0501069146	JOINT SUPPORT PCA 800		01
03	0909092667	ADJUSTABLE REST OF MOVABLE SUPPORT	4	02
04	0521012868	1.4" X 5" PIVOT SHAFT		02
05	0511019685	FLAT WASHER		02
06	0503010534	3/8 X 2-1/2 COTTERPIN		06
07	0521012870	1.46" X 6.18" PIVOT SHAFT		02
08	0503010002	1800 GREASE FITTING		02
09	1902010477	UPPER CLAMP BODY		04
10	0531011180	UPPER BODY CLIP		06
11	0503010180	7/16" SPRING WASHER		06
12	0503012555	SCREW 7/16 UNC X 2 CS RT G.7 ZN		04
13	0503011102	BOLT 7/16 UNC X 1.1/4 C S G.5 ZN		02

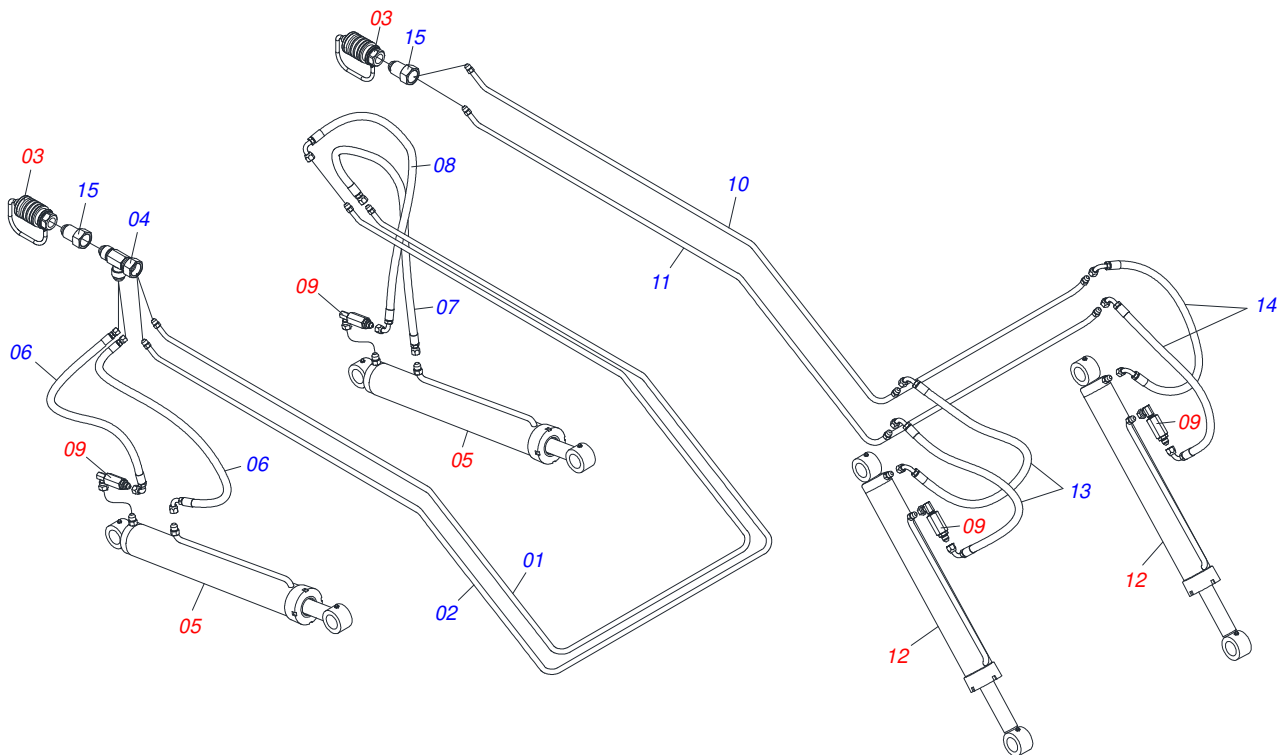


Item	Code	Description	See page	QT
01	0561016401	PLOUGH SUPPORT BODY		02
02	0511013598	3/4" X 4.7" COUPLING SHAFT		02
03	0503010071	3/16" X 1" COTTERPIN		08
04	0511019634	CONTROL LOCK		02
05	0521012823	COUPLING SHAFT		02
06	0511017302	FLAT WASHER		08
07	0561016329	LATCH HOLDER REST PCA		04
08	0561016619	COMPLEMENTON REST		02
09	0503014378	1/2" X 1-1/2" BOLT		02

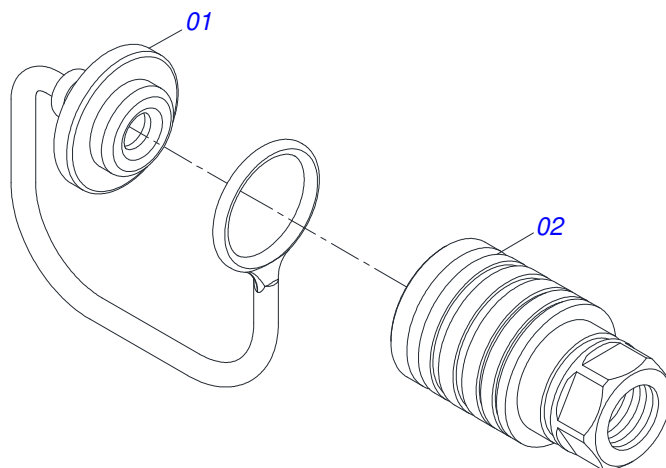


Item	Code	Description	See page	QT
01	0502012472	MOBILE TOWER		01
02	0502012473	LEFT MOBILE TOWER		01
03	0521012870	1.46" X 6.18" PIVOT SHAFT		04
04	0503010002	1800 GREASE FITTING		04
05	0511019685	FLAT WASHER		04
06	0503010534	3/8 X 2-1/2 COTTERPIN		04

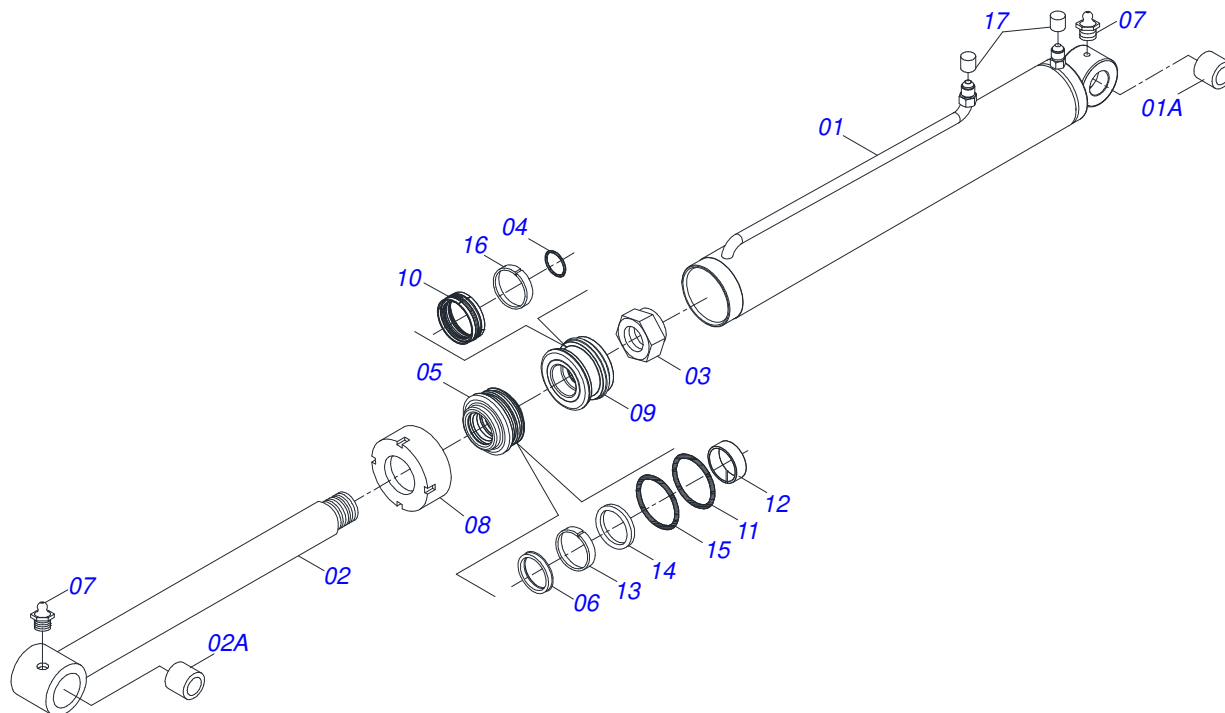




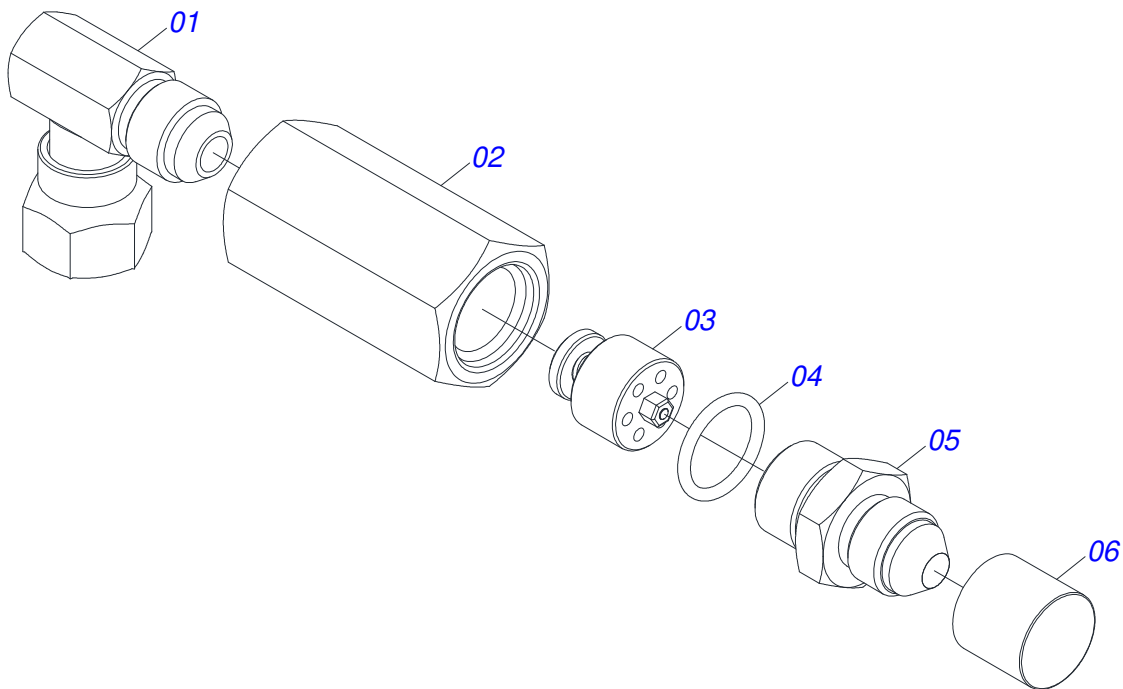
Item	Code	Description	See page	QT
01	0501069861	INNER OIL TUBE		01
02	0501069860	OUTER OIL TUBE		01
03	0501053835	FEMALE QUICK COUPLER	7	04
04	0503011968	3/4" 8R6X-S T ADAPTER WITH SWIVEL NUT		02
05	0511057974	44,45 X 85,72 X 870 X 593 HYDRAULIC CYLINDER	8	02
06	0501080150	HOSE ASSY		02
07	0501080105	TR-TR HOSE ASSY		01
08	0501080766	3/8" X 27.56" TC-TC HOSE		01
09	0511057772	SECURITY VALVE ASSY	9	04
10	0501069858	LH RIGHT OIL TUBE		01
11	0501069857	RIGHT RIGHT OIL TUBE		01
12	0511057973	HIDRAULIC CYLINDER 44,45 X 76,20 X 820 X 551	10	02
13	0501080777	LH 3/8" X 25.9" TC-TC HOSE		02
14	0501080688	3/8" X 25" TC-TC 90G HOSE		02
15	0511019876	1/2" NIPPLE		04



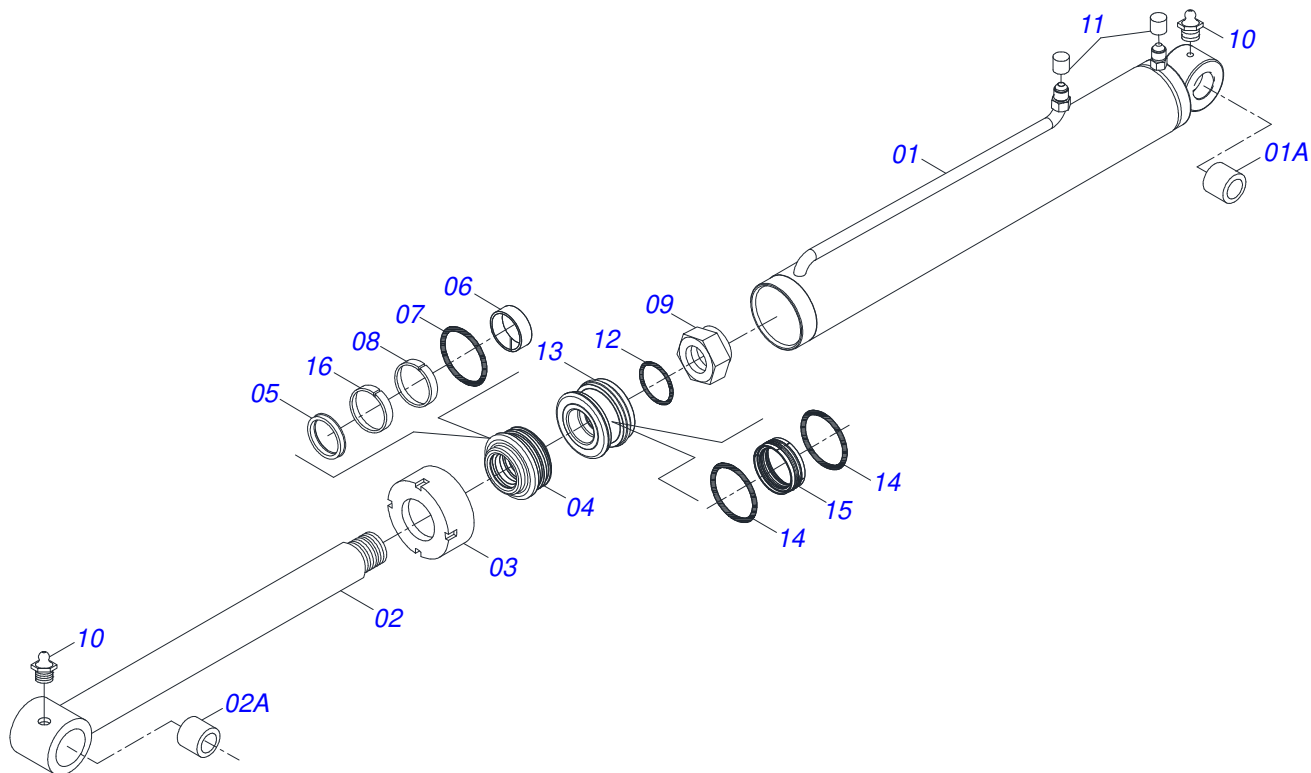
Item	Code	Description	See page	QT
01	0503011883	QUICK CONNECTION COVER		01
02	0503011628	FEMALE QUICK COUPLER		01



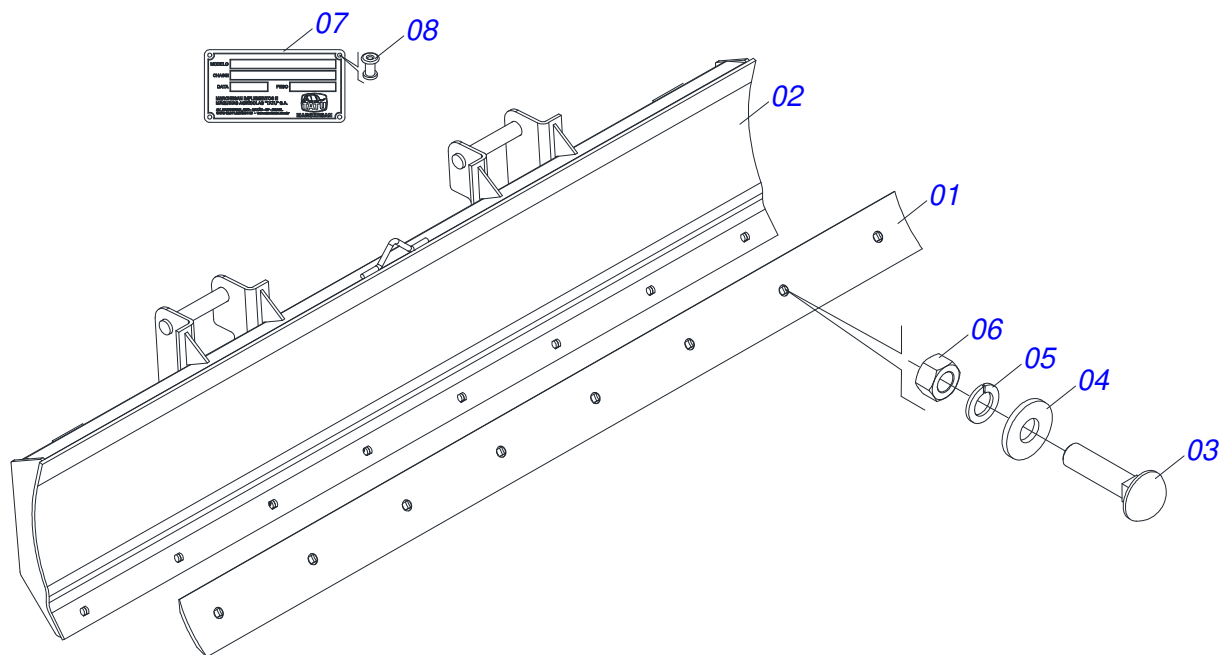
Item	Code	Description	See page	QT
01	0511069198	BODY SHIRT WITH MAKING		01
01A	0521010514	38,1 X 52,9 X 50 SLEEVE INTER		02
02	0521066404	44,45 X 772 TURNBUCKLE		01
03	0503010063	1" SELF-ALIGNING NUT		01
04	0503010042	2-214 N 3006-9B O'RING		01
05	0571019711	RING SUPPORT		01
06	0503010761	D-1750 SCRAPER RING		01
07	0503010002	1800 GREASE FITTING		02
08	0571019709	DETACHABLE COVER		01
09	0571019710	1.7" X 3.4" PISTON		01
10	0503017935	RING		01
11	0503017936	RING		01
12	0503017938	RING GUIDE		01
13	0503017937	GASKET		01
14	0503017940	8-337 BACK-UP RING		02
15	0503017939	2-337 N 3006-9B O' RING		02
16	0503018144	RING		01
17	0503030385	CYLINDER PLUG N-002		02
18	0511032784	HYDRAULIC CYLINDER REPAIR KIT		01



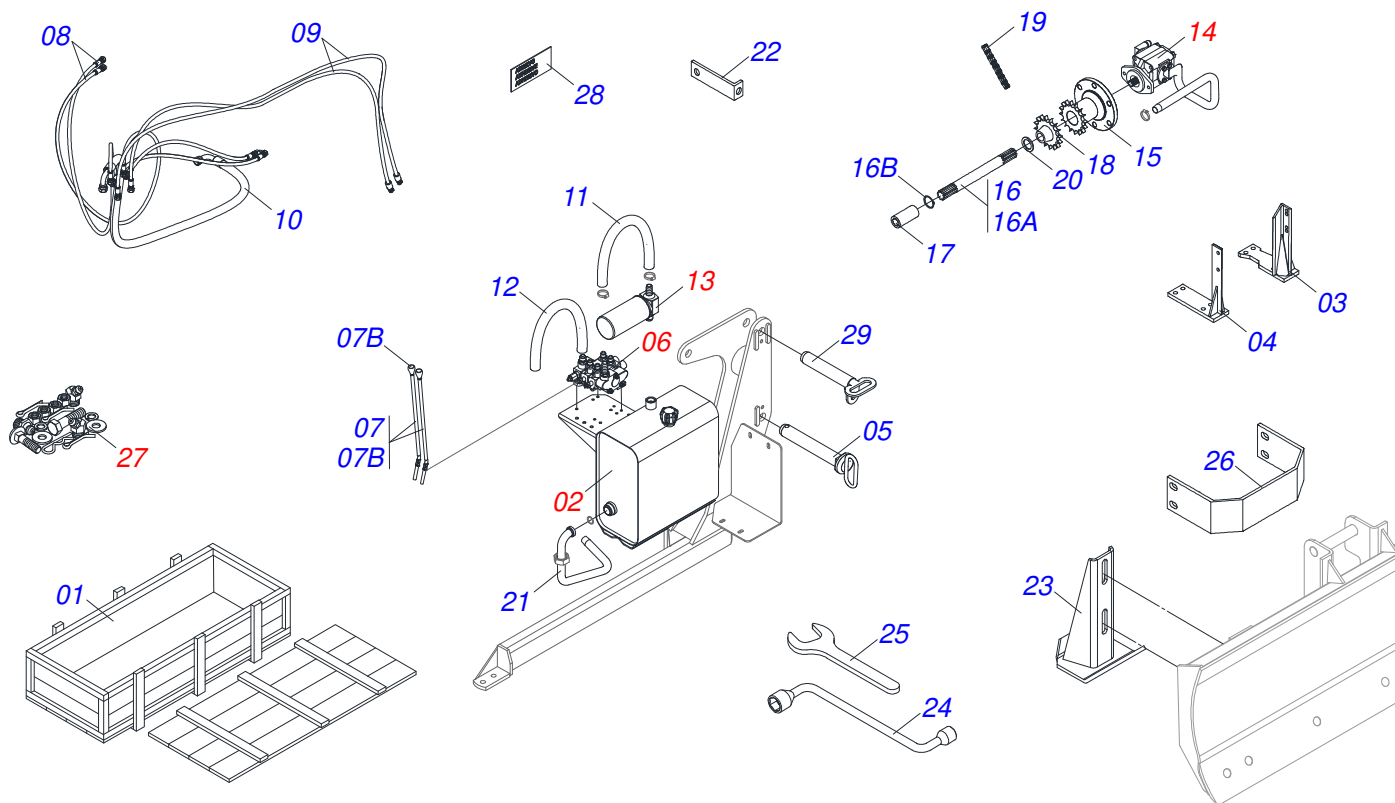
Item	Code	Description	See page	QT
01	0503018034	MALE KNEE JIC		01
02	0581014055	ADAPTER		01
03	0503016854	VALVE ASSY		01
04	0503010045	O'RING		01
05	0581014054	BSP 1/2" NIPPLE		01
06	0503030385	CYLINDER PLUG N-002		01



Item	Code	Description	See page	QT
01	0521066381	CYLINDER CASE 76,20 X 723		01
01A	0501110275	BUSHING COUPLING 75 X 38,1 X 50		02
02	0511065578	1.7" X 28.18" TURNBUCLE		01
03	0502012264	RING SUPPORT 1.75" X 3"		01
04	0503010761	D-1750 SCRAPER RING		01
05	0503010949	W2-2000-500 PK RING G.E		01
06	0503010343	2-334 N 3006-9B O'RING		01
07	0503011059	8-334 BACK-UP RING		01
08	0503010063	1" SELF-ALIGNING NUT		01
09	0503010002	1800 GREASE FITTING		02
10	0503030385	CYLINDER PLUG N-002		02
11	0503010042	2-214 N 3006-9B O'RING		01
12	0581010304	PISTON		01
13	0503018138	RING BS		02
14	0503018140	RING GUIDE		01
15	0503017937	GASKET		01
16	0502011899	MOBILE COVER		01
17	0511032725	HYDRAULIC CYLINDER REPAIR KIT		



Item	Code	Description	See page	QT
01	0622360016	94.5" SCRAPER REVERSIBLE		01
02	0501069112	2400MM DOZER BLADE		01
03	0501812240	BOLT		08
04	0501812140	FLAT WASHER		08
05	0503011445	SPRING WASHER		08
06	0503810013	NUT 5/8 NC		08
07	0503034003	SERIAL NUMBER TAG 61 X 118		01
08	0503010001	3.2 X 5.5 RIVET		04

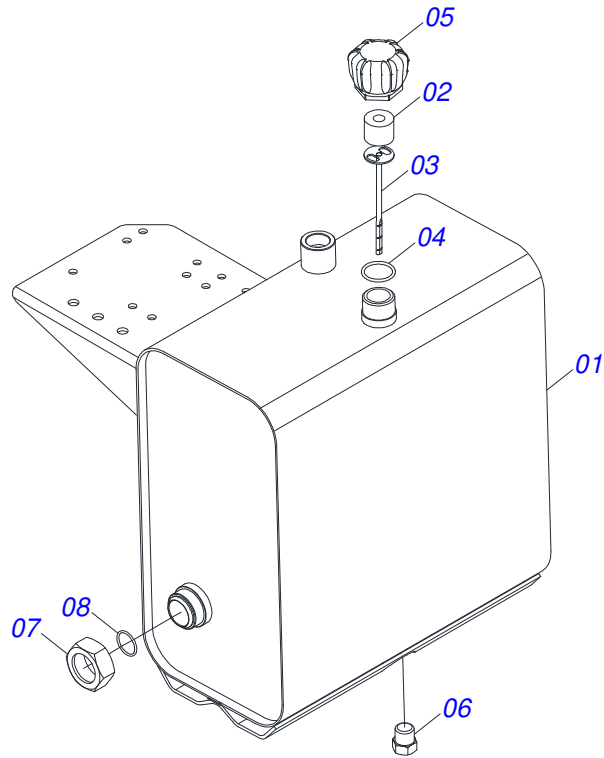


Item	Code	Description	See page	QT
01	0501100504	BOX		01
02	0501047575	OIL RESERVOIR ASSY	13	01
03	0501068672	RH FRAME BRACKET		01
04	0501068673	LH FRAME BRACKET		01
05	0511064410	1.5" X 8.1" COUPLING SHAFT		02
06	0501041627	1/2" DOUBLE COMMAND	14	01
07	0501047854	CONTROL VALVE (PD CBT 2105 SHT)		02
07A	0501067570	CONTROL VALVE ( CBT 2105)		01
07B	0503030878	LEVER CRANK		01
08	0501080619	3/8 X 1250 TC-TM HOSE		02
09	0501080620	3/8 X 1300 TC-TM HOSE		02
10	0501080200	3/4 X 1600 TR-TC HOSE		01
11	0501013822	1" X 25.6" AB-AB HOSE		01
12	0501018431	1.1/4 X 950 AB-AB HOSE		01
13	0501041108	RETURNING FILTER ASSY	15	01
14	0501044573	FULL PUMP WITH PIPELINES - F5600/6630	16	01
15	0503050061	GEAR BUSHING WHEEL FLANGE		01
16	0501057538	280 X 7/8 UNC X 1.1/8-30G SHAFT WITH RING		01
16A	0501069127	11" X 7/8" AXLE		01
16B	0503010174	501028 CLAMPING RING (FOR AXLE)		01
17	0503030838	1-1/8" X 2.4" SLEEVE		01
18	0503050075	GEAR 16Z		01
19	0503010455	50-2 CHAIN X 15 LINK + MENDING		01
20	0501010890	FLANGE WASHER		01
21	0501068606	TANK OUTER TUBE		01
22	0511014494	REDLIGHT SUPPORT		02
23	0501063411	ESTABILIZER BRACKET		02
24	0501068213	5/8" WRENCH DOUBLE		01
25	0511010153	2-5/16" FIXED WRENCH		01
26	0521014437	SHT FROM PROTETION		01
27	0501035337	PACKAGED PARTS	17	01

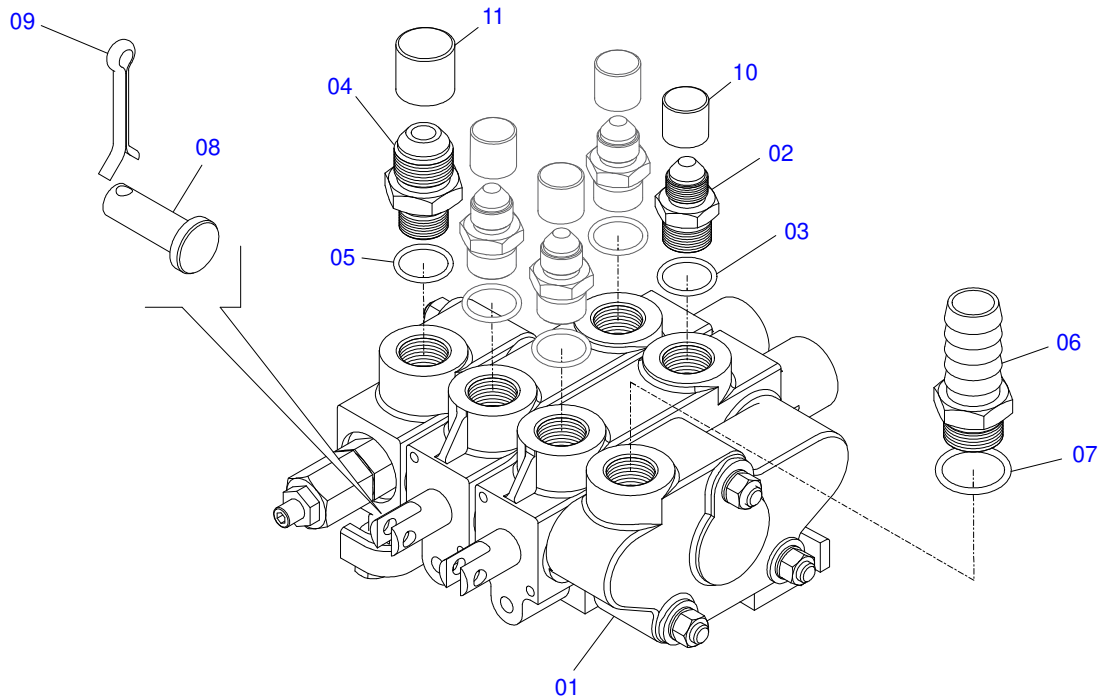


Item	Code	Description	See page	QT
28	0503030770	ADHESIVE LABEL		01
29	0521066515	37,20 X 240 ARTICULATION SHAFT WITH HANDLE		02

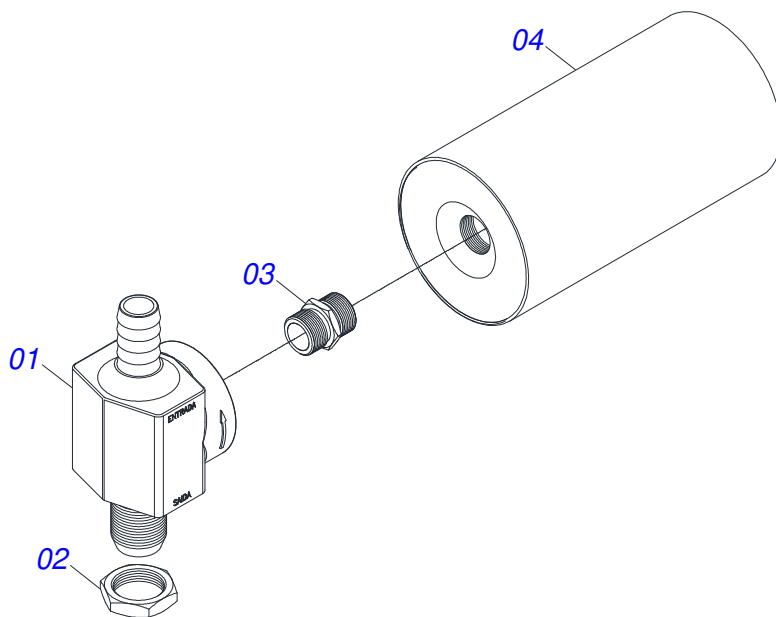




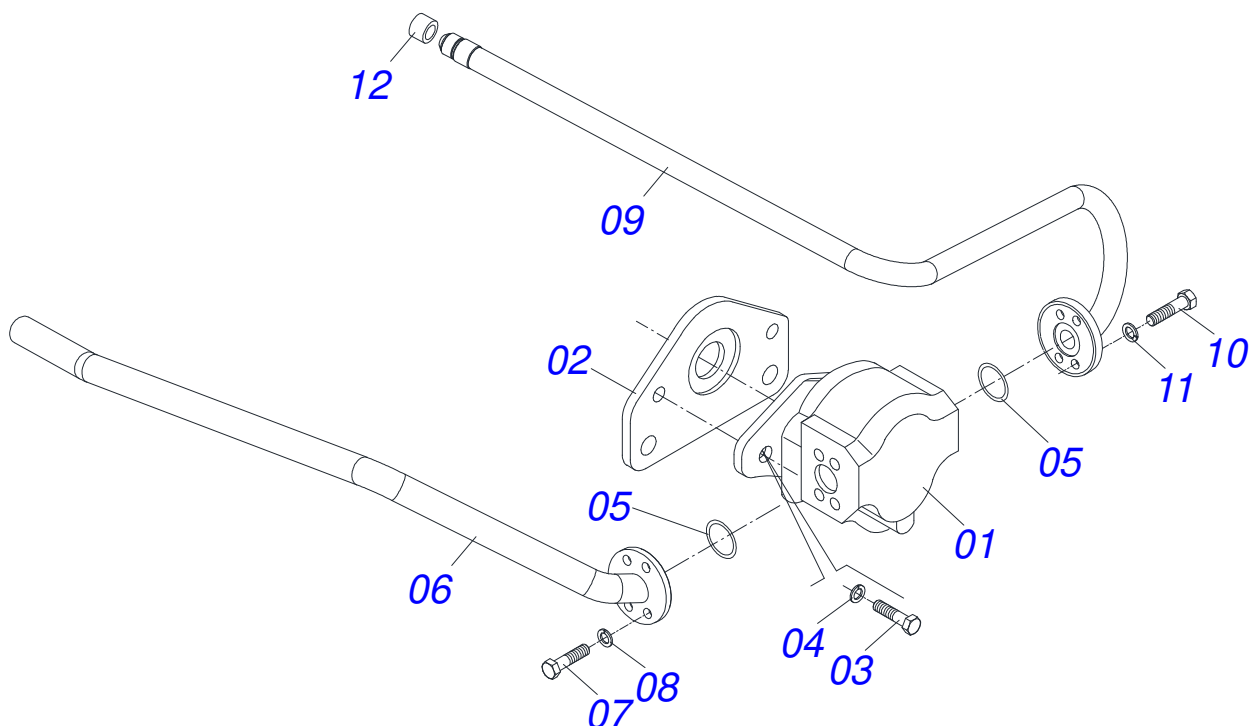
Item	Code	Description	See page	QT
01	0501068685	OIL RESERVOIR		01
02	0503030044	FILTERING ELEMENT		01
03	0501060975	OIL GAGE		01
04	0503010185	2-221 N 3006-9B O'RING		01
05	0502020472	FRONTAL COVER		01
06	0503031604	1/2" BSP PLUG		01
07	0501016309	2" 1X 2.5/16" NUT		01
08	0503010046	2-216 N 3006-9B O'RING		01



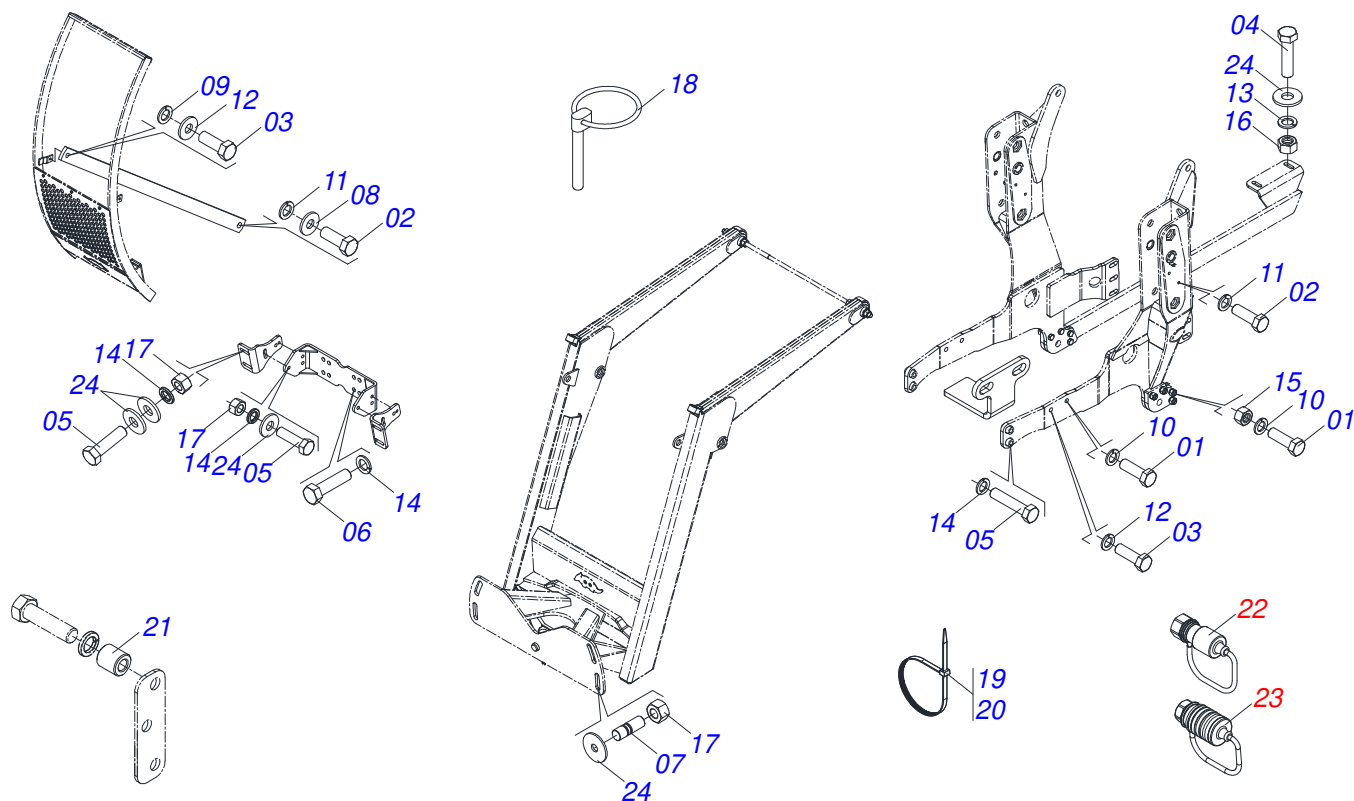
Item	Code	Description	See page	QT
01	0503060016	1/2"DOUBLE COMMAND		01
02	0511010111	7/8" NIPPLE		04
03	0503010045	O'RING		04
04	0501010589	R. 1.1/16UN SEXT 1.1/4 X 52 NIPPLE		01
05	0503011109	2-119 N 3006-9B O'RING		01
06	0501010591	HOSE NIPPLE		01
07	0503011109	2-119 N 3006-9B O'RING		01
08	0521010533	0.3" X 1" COUPLING SHAFT		02
09	0503010140	1/8" X 3/4" COTTERPIN		02
10	0503030385	CYLINDER PLUG N-002		04
11	0503030388	PLUG N-005		01



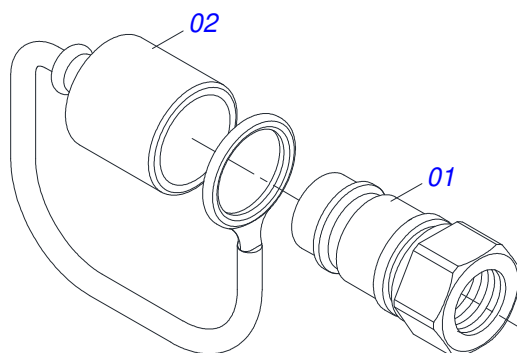
Item	Code	Description	See page	QT
01	0502050002	RETURNING FILTER HEAD		01
02	0501010594	1" NUT		01
03	0501010595	1" NF NIPPLE		01
04	0503010183	RETURNING FILTER		01



Item	Code	Description	See page	QT
001	0503061770	PUMP WITH TUBE		01
002	0502020097	PUMP SUPPORT		01
003	0501010063	1/2" X 1-1/2" BOLT		02
004	0503010019	1/2" SPRING WASHER		02
005	0503010173	2-220 N 3006-9B O'RING		02
006	0501062490	PUMP SUCTION DUCT - F 5600/6600/6610		01
007	0503010355	7/16" X 1" BOLT		04
008	0503010180	7/16" SPRING WASHER		04
009	0501062491	PUMP PRESSURE DUCT SHT		01
010	0503011087	3/8" X 1" BOLT		04
011	0503010025	3/8" SPRING WASHER		04
012	0503030388	PLUG N-005		01



Item	Code	Description	See page	QT
01	0501010080	3/8" BOLT		03
02	0503010355	7/16" X 1" BOLT		04
03	0501010161	1/2" X 1.1/4" BOLT		04
04	0501010100	SCREW 5/8 UNC X 2 CS G.5 ZN		04
05	0501011544	3/4" X 1-1/2" BOLT		08
06	0501010125	3/4" X 2-1/2" BOLT		10
07	0561016756	3/4 UNC X 3/4 UNC X 56 PRISONER		04
08	0501010984	FLAT WASHER		03
09	0511017302	FLAT WASHER		04
10	0503010025	3/8" SPRING WASHER		03
11	0503010180	7/16" SPRING WASHER		04
12	0503010019	1/2" SPRING WASHER		04
13	0503010027	5/8" SPRING WASHER		04
14	0503010023	3/4" SPRING WASHER		28
15	0503010026	3/8" NUT		03
16	0503010013	5/8" NUT		04
17	0503010014	3/4" NUT		12
18	0503030430	7/16 X 2" PIN LOCK		04
19	0503010184	CLAMP		02
20	0503010243	CLAMP		02
21	0531019916	22 X 44.45X 6 GLOVE		02
22	0501053834	MALE QUICK COUPLER WITH CAP - 1/2 NPT	18	02
23	0501053835	FEMALE QUICK COUPLER	7	02
24	0501010322	FLAT WASHER		12



Item	Code	Description	See page	QT
01	0503011627	MALE QUICK COUPLER AGR 1/2 NPT		01
02	0503011882	MALE QUICK COUPLER CAP		01





**MARCHESAN**

**Technical Publications | Elaboration and Revision**  
LUIZ CANDIDO

[www.marchesan.com.br](http://www.marchesan.com.br)

