

HINGE TYPE OFFSET DISK HARROW

GNCRPE 230 - 72D

Code: 0501093101
Series: S-0918
Revision: 00
Date Revision: JANEIRO/2022

PARTS CATALOGUE



MARCHESAN



PRODUCTS

Code	Description
0102520077	GNCRPE 230 72 X 24 X 6,00 MT LP S-0918

ATTENTION: IMPORTANT

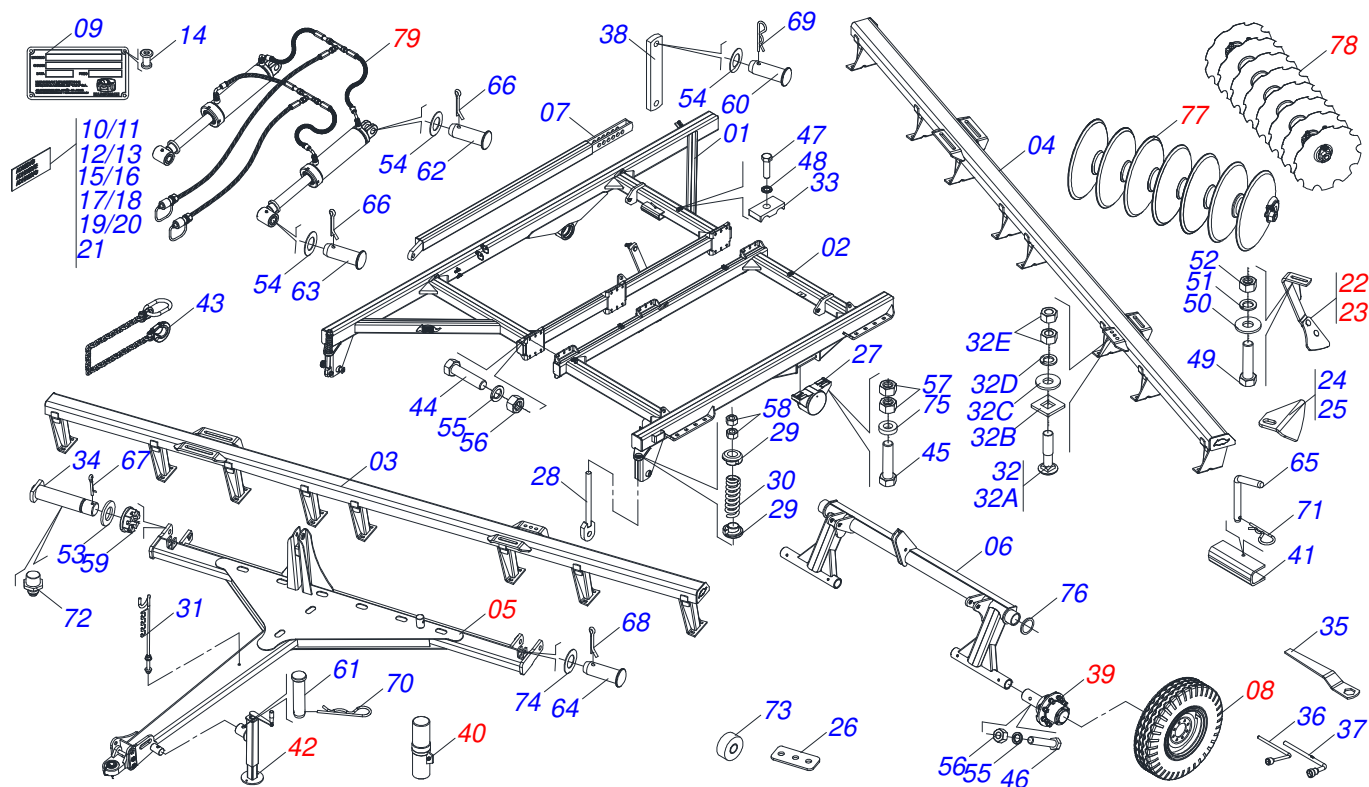
Marchesan S.A. reserves the right to improve and/or modify the technical features of its products, without obligation to do the same with those products already sold and without prior knowledge of the dealer or the consumer. The photos are only illustrative.



INDEX

0909096124	ASSY FRAME	1
0521048106	ASSEMBLY HEADER	2
0511059726	FRONT CLEANING ASSEMBLY	3
0511059727	REAR CLEANING ASSEMBLY	4
0501040257	3/4 X 1200 HOSE HOLDER A	5
0521042030	WHEEL WITHOUT TIRE S-0514	6
0521054511	MANUAL CANISTER ASSY	7
0511048088	DRAWBAR JACK	8
0909096125	FRONT GANG DISC	9
0909096126	REAR GANG DISC	10
0501046312	OIL BATH BEARING	11
0909096127	HYDRAULIC CIRCUIT	12
0511058405	HYDRAULIC CYLINDER 50,80 X 101,60 X 561 X 252	13
0501053834	MALE QUICK COUPLER WITH CAP - 1/2 NPT	14

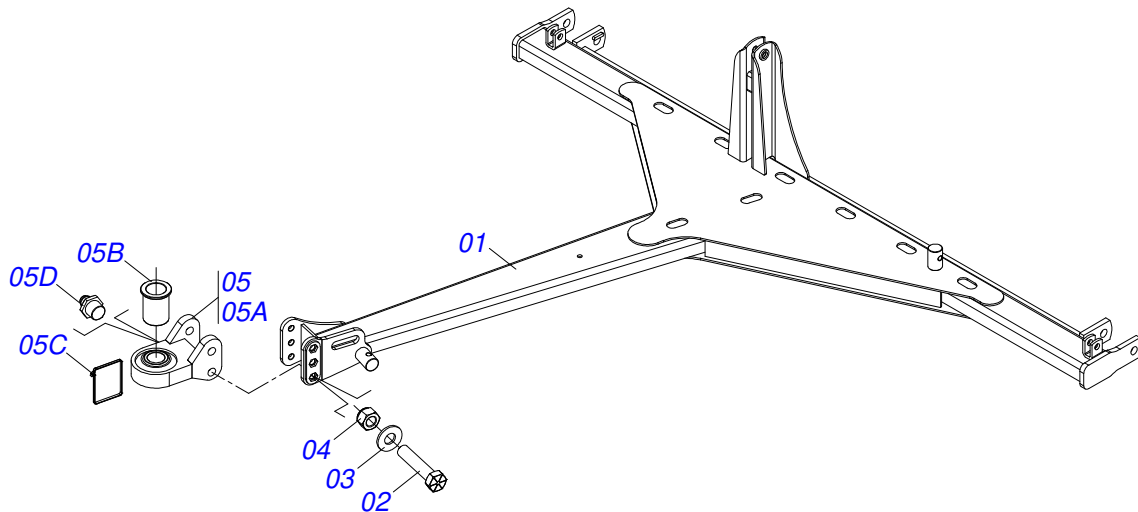
ASSY FRAME



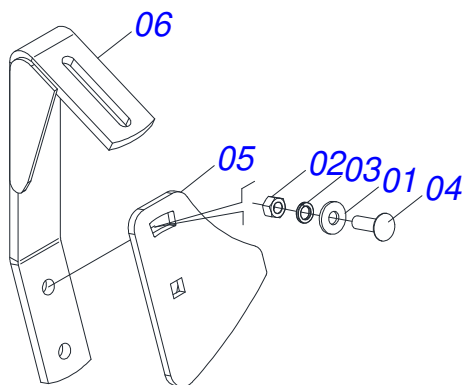
Item	Code	Description	See page	QT
01	0521063830	FRAME RIGHT		01
02	0521063199	LEFT FRAME		01
03	0521068740	FRONT FRAME		01
04	0521068741	REAR FRAME		01
05	0521048106	ASSEMBLY HEADER	2	01
06	0521068733	WHEEL		01
07	0521063202	ESTABILIZER BAR		01
08	0503060213	35.4\"X0.80\"-14L WHEEL AND TIRE ASSY		04
09	0503034003	SERIAL NUMBER TAG 61 X 118		01
10	0503034499	HOSE IDENTIFICATION DECAL		01
11	0503031738	ADHESIVE LABEL		01
12	0503034070	ADHESIVE LABEL		01
13	0503034007	LABEL ADHESIVE		02
14	0503010001	3.2 X 5.5 RIVET		04
15	0503031428	READ MANUAL DECAL		01
16	0503033038	DANGER SIGN		01
17	0503031738	ADHESIVE LABEL		01
18	0503031087	ADHESIVE LABEL		01
19	0503034078	LIFTING POINTS DECAL		03
20	0503034070	ADHESIVE LABEL		01
21	0503031739	ADHESIVE LABEL		01
22	0511059726	FRONT CLEANING ASSEMBLY	3	27
23	0511059727	REAR CLEANING ASSEMBLY	4	27
24	0571015395	CLEANER BEARING		08
25	0571015396	CLEANER BEARING		08
26	0571015397	BOARD SHEET		54
27	0502011587	BEARING AXLE		02
28	0501064699	SPRING ROD		02
29	0502020394	SPRING SUPPORT		04
30	0503031341	2.7 X 8 X 0.5 COMPRESSION SPRING		02
31	0501040257	3/4 X 1200 HOSE HOLDER A	5	01

ASSY FRAME

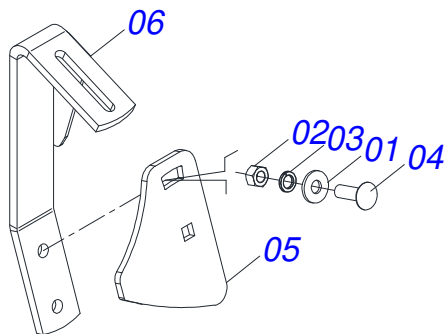
Item	Code	Description	See page	QT
32	0511053783	1" X 3-1/2 BOLT FOR SET		08
32A	0503016783	1" X 3-1/2" BOLT		01
32B	0571014335	1" SQUARE WASHER		01
32C	0501014509	FLAT WASHER		01
32D	0503010012	1" SPRING WASHER		01
32E	0501010059	1.5/8 NUT		01
33	0502010477	HOSE CLAMP		05
34	0521062959	38,1 X 265 AXLE		02
35	0501011431	1-3/4" GANG BOLT WRENCH		02
36	0501061617	1" GANG BOLT WRENCH		01
37	0503016140	3/4" WRENCH CABLE CYLINDRICAL		01
38	0571019477	TOWER BAR STABILIZER		01
39	0521042030	WHEEL WITHOUT TIRE S-0514	6	04
40	0521054511	MANUAL CANISTER ASSY	7	01
41	0551010280	253 TRANSPORT LOCK		02
42	0511048088	DRAWBAR JACK	8	01
43	0503013150	1300 X 3/8 CHAIN		01
44	0501010098	3/4" UNC BOLT		18
45	0503010797	3/4" X 4" BOLT		04
46	0503011198	C3/4" X 6" SCREW		04
47	0503011135	BOLT		05
48	0503010180	7/16" SPRING WASHER		05
49	0503011239	1/2" X 2" BOLT		108
50	0511017302	FLAT WASHER		108
51	0503010019	1/2" SPRING WASHER		108
52	0503010060	1/2" NUT		108
53	0551012215	FLAT WASHER		02
54	0501017779	32 X 60 X 4.75 FLAT WASHER		07
55	0503010023	3/4" SPRING WASHER		22
56	0503010014	3/4" NUT		22
57	0503012183	SNC 3/4" ZIN 1K03097 NUT		08
58	0501010087	1.1/4" NUT		04
59	0501011301	1.1/2 UNC 6FPP 2.5/16 NUT		02
60	0511014394	1.25" X 4.13" COUPLING SHAFT		02
61	0561014251	COUPLING SHAFT		01
62	0521010779	31.75 X 95 COUPLING SHAFT		03
63	0521010547	1.2" X 6.5" COUPLING SHAFT		02
64	0521010592	1.1" X 3.1" COUPLING SHAFT		02
65	0541016844	FIXER LOCK		02
66	0503010523	1/4" X 2" COTTERPIN		05
67	0503010010	1/4" X 2.1/2" COTTERPIN		02
68	0503010571	1/4" X 1.1/2 COTTERPIN		02
69	0503031035	HAIR PIN		02
70	0503030012	HAIR PIN		01
71	0503030285	HAIR PIN		02
72	0503010002	1800 GREASE FITTING		04
73	0503013171	SEALING		01
74	0561011883	FLAT WASHER		02
75	0521013710	WASHER SEMIMAN		04
76	0503012260	FELT RING		02
77	0909096125	FRONT GANG DISC	9	01
78	0909096126	REAR GANG DISC	10	01
79	0909096127	HYDRAULIC CIRCUIT	12	01



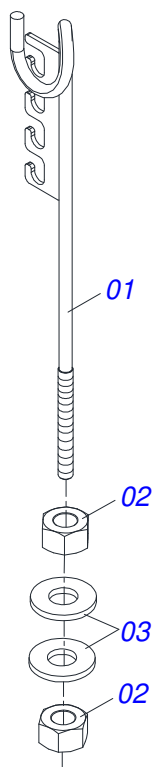
Item	Code	Description	See page	QT
01	0521068732	HEADER		01
02	0503013935	GAUGE 160PSI / 10 BAR		02
03	0501010690	26 X 58 X 4.75 FLAT WASHER		02
04	0503018754	1-8 UNC NUT		02
05	0511059885	TRACTOR HITCH ASSY		01
05A	0521067339	TRACTOR HITCH ASSY		01
05B	0581012984	41 X 52.97 SLEEVE		01
05C	0503016033	4.8 X 1.3 X 300 MM NYLON CLAMP		01
05D	0503010002	1800 GREASE FITTING		01



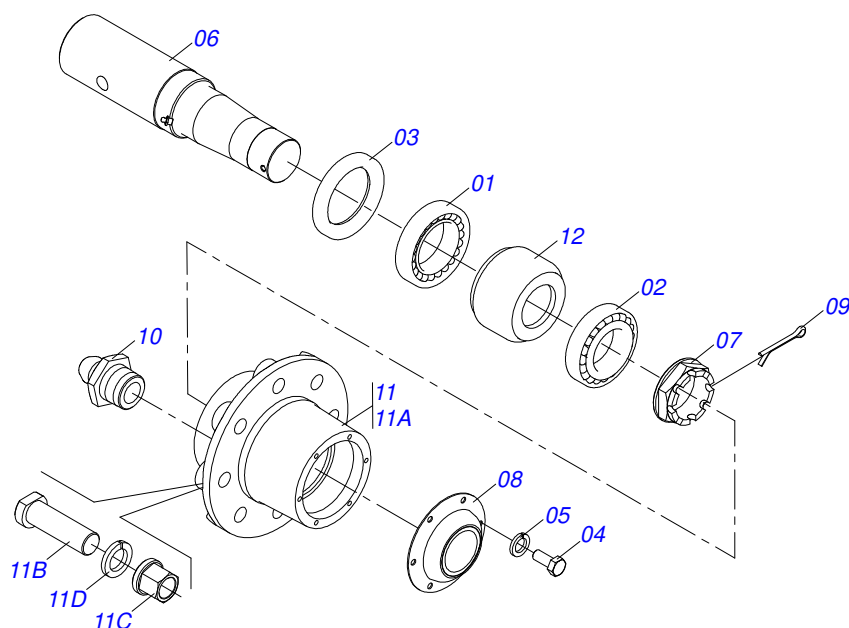
Item	Code	Description	See page	QT
01	0501012140	FLAT WASHER		02
02	0503010013	5/8" NUT		02
03	0503010027	5/8" SPRING WASHER		02
04	0503012699	BOLT 5/8NC X 2 CAPQ G.5 ZN 1K20548		02
05	0581012584	SHOVEL SCRAPER		01
06	0521067239	FRONT SCRAPER SUPPORT		01



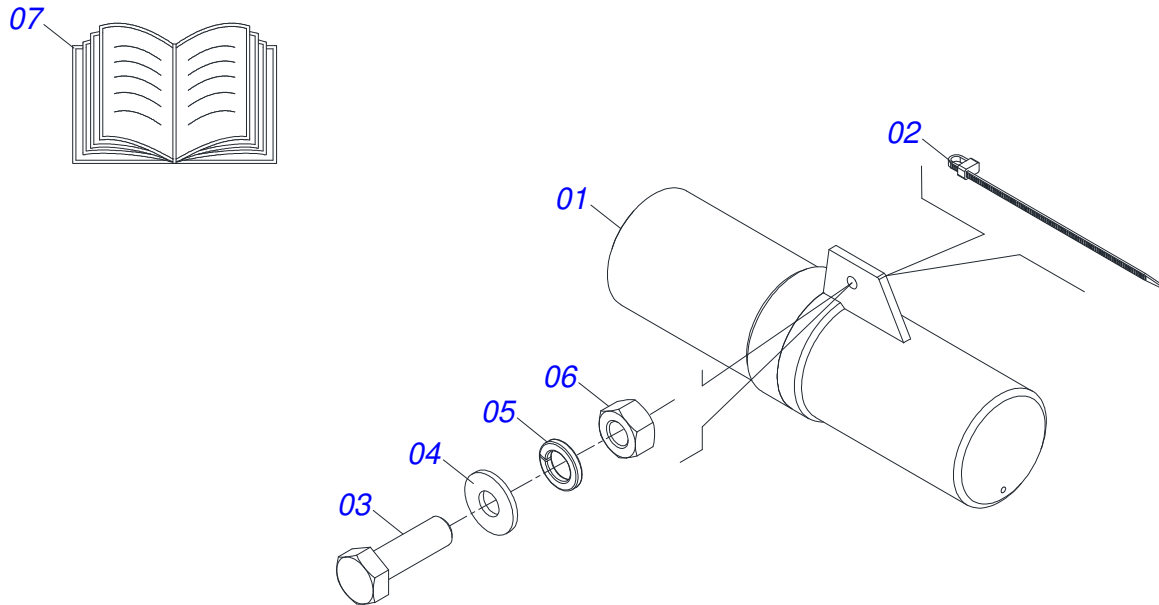
Item	Code	Description	See page	QT
01	0501012140	FLAT WASHER		02
02	0503010013	5/8" NUT		02
03	0503010027	5/8" SPRING WASHER		02
04	0503012699	BOLT 5/8NC X 2 CAPQ G.5 ZN 1K20548		02
05	0581012584	SHOVEL SCRAPER		01
06	0521067240	REAR SCRAPER SUPPORT		01



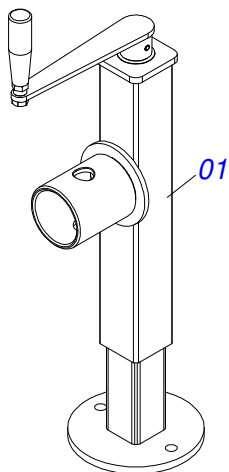
Item	Code	Description	See page	QT
01	0511067334	HOSE SOPPORT ASSY		01
02	0503010014	3/4" NUT		02
03	0501010322	FLAT WASHER		02



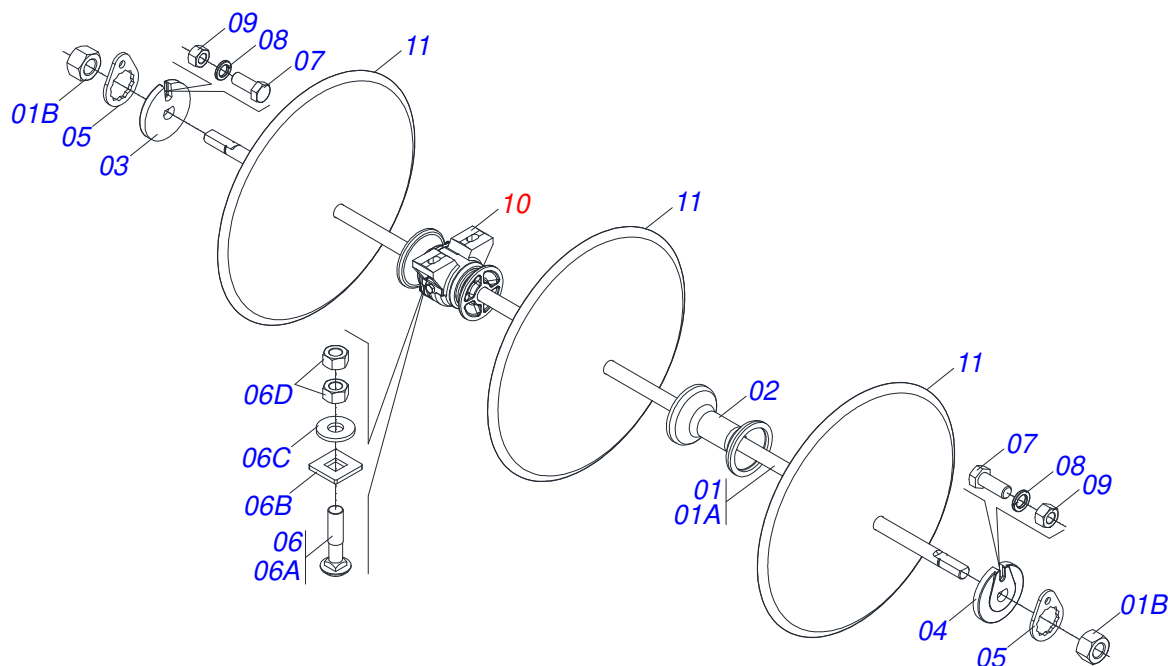
Item	Code	Description	See page	QT
01	0503010059	33287/33462 ROLLER BEARING		01
02	0503010007	3982/3920 ROLLER BEARING		01
03	0503010050	SEAL 00085-B		01
04	0503010240	5/16" X 3/4" BOLT		06
05	0503011444	SPRING WASHER		06
06	0571013653	POINT AXIS 88,80 X 430		01
07	0502040080	FLANGE NUT R.2.1/2 UN		01
08	0541013225	WHEEL BOX COVER		01
09	0503012231	1/4" X 3" COTTERPIN		01
10	0503010002	1800 GREASE FITTING		01
11	0501110751	HUB AND SPINDLE WITH BOLT		01
11A	0502040522	HUB CARRYING-WHEELS		01
11B	0503011339	M22 X 1,5 X 72 BOLT		08
11C	0503011341	M22 X 0.6" NUT GR8 NUT		08
11D	0503011340	SPHERICAL SPRING WASHER		08
12	1882970002	GREASE SOAP		01



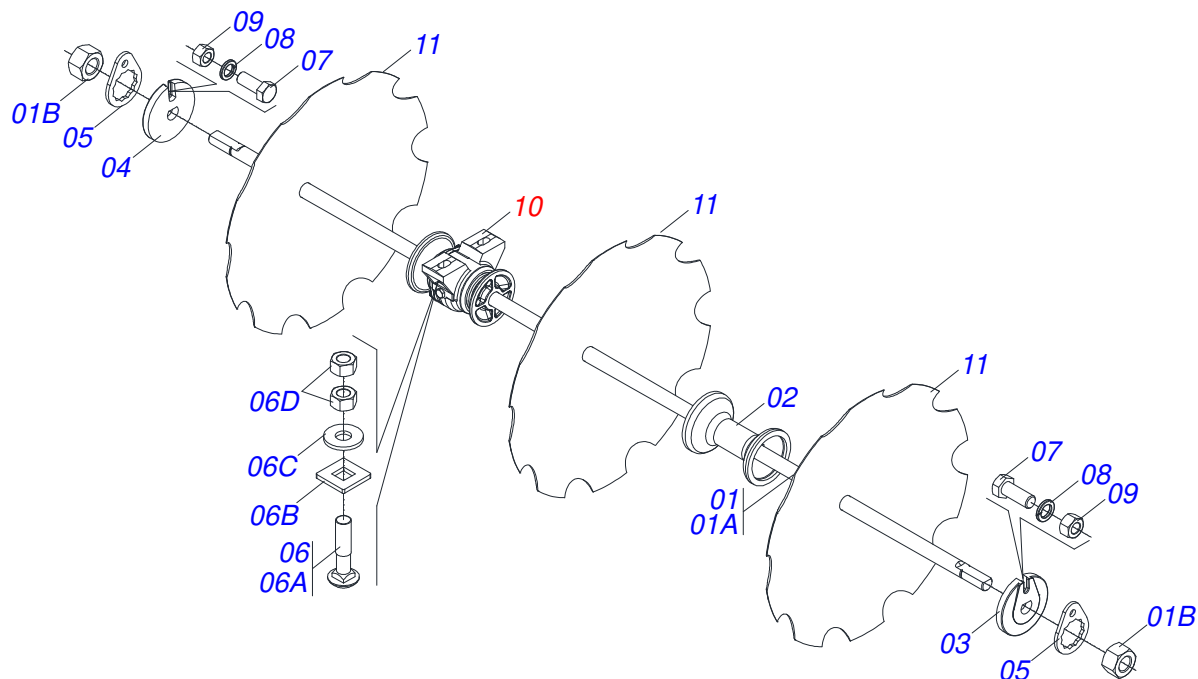
Item	Code	Description	See page	QT
01	0503060100	OPERATOR'S MANUAL STORAGE TUBE		01
02	0503010267	NYLON CLAMP		01
03	0503010363	5/16" X 1" BOLT		01
04	0501010694	8.5 X 18 X 1.5 FLAT WASHER		01
05	0503010179	5/16" ZN SPRING WASHER		01
06	0503010337	5/16" NUT		01
07	0511033404	BAG WITH MANUAL / CATALOG		01



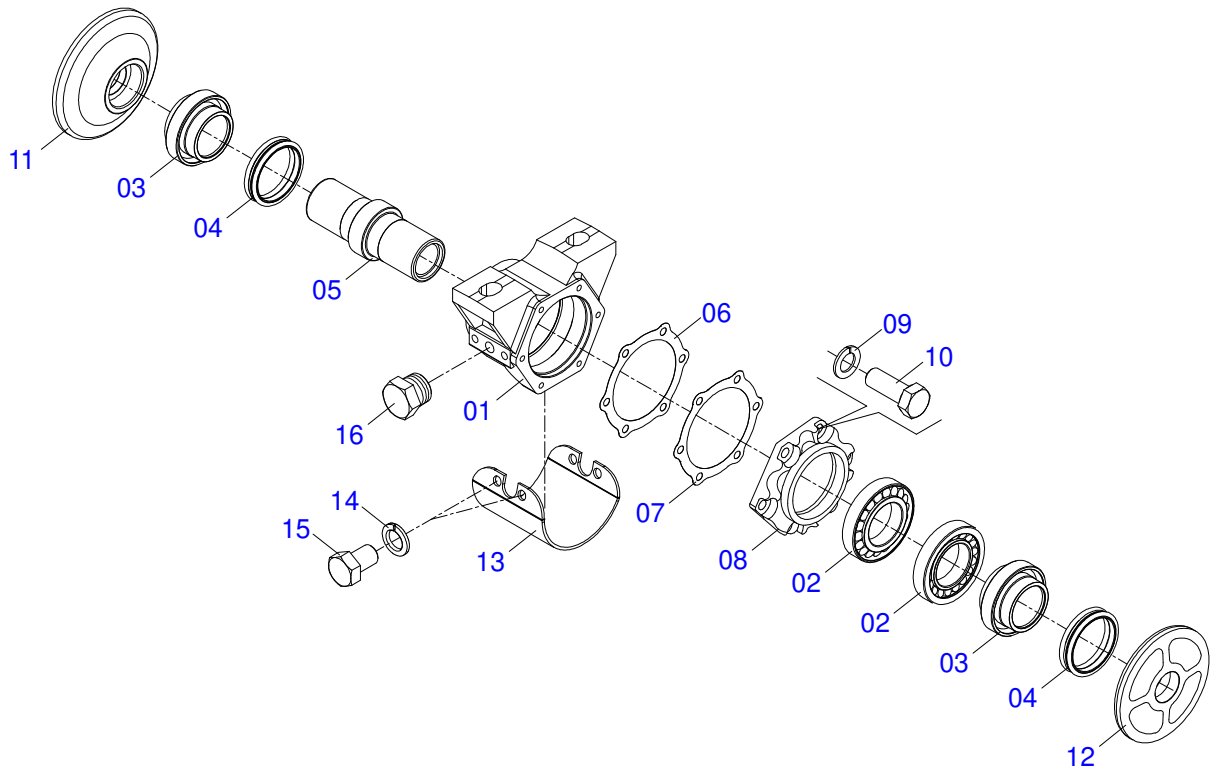
Item	Code	Description	See page	QT
01	0503062227	DRAWBAR JACK		01



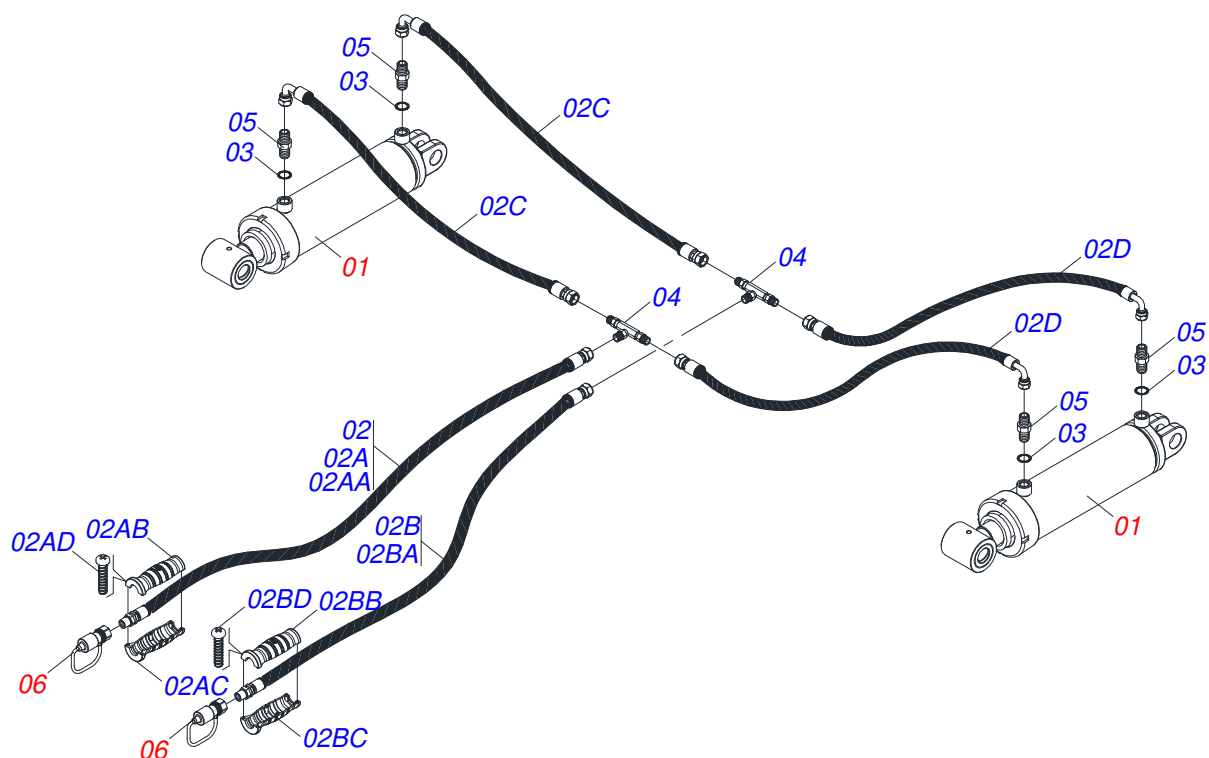
Item	Code	Description	See page	QT
01	0511055727	1.5/8 7FPP X 2007 AXLE C/ NUT		04
01A	0571016556	1.5/8" 7FPP X 2007 AXLE		01
01B	0502040640	1.5/8" 2.3/4" NUT		02
02	0502010626	8.9" 1-5/8" SPACER		24
03	0502011047	1-5/8" INNER AXLE WASHER		04
04	0502011048	1-5/8" EXTERNAL AXLE WASHER		04
05	0511014339	1-5/8" 2.8" NUT LOCK		08
06	0501041925	3/4" X 3-1/2" BOLT ASSY		16
06A	0501010950	3/4" X 3-1/2" BOLT		01
06B	0501010949	3/4" SQUARE WASHER		01
06C	0501010322	FLAT WASHER		01
06D	0503010014	3/4" NUT		02
07	0503010232	5/8" X 1.3/4" BOLT		08
08	0501012140	FLAT WASHER		08
09	0503012412	5/8 UNC SELF LOCKING NUT		08
10	0501046312	OIL BATH BEARING	11	08
11	0601031076	26"X 0.2" PLAIN DISC BLADE		36



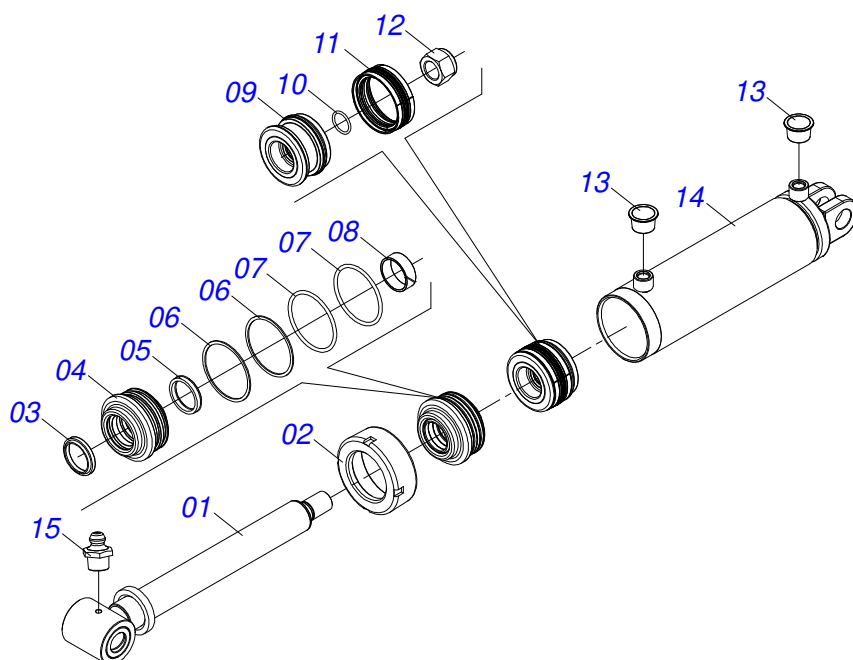
Item	Code	Description	See page	QT
01	0511055727	1.5/8 7FPP X 2007 AXLE C/ NUT		04
01A	0571016556	1.5/8" 7FPP X 2007 AXLE		01
01B	0502040640	1.5/8" 2.3/4" NUT		02
02	0502010626	8.9" 1-5/8" SPACER		24
03	0502011047	1-5/8" INNER AXLE WASHER		04
04	0502011048	1-5/8" EXTERNAL AXLE WASHER		04
05	0511014339	1-5/8" 2.8" NUT LOCK		08
06	0501041925	3/4" X 3-1/2" BOLT ASSY		16
06A	0501010950	3/4" X 3-1/2" BOLT		01
06B	0501010949	3/4" SQUARE WASHER		01
06C	0501010322	FLAT WASHER		01
06D	0503010014	3/4" NUT		02
07	0503010232	5/8" X 1.3/4" BOLT		08
08	0501012140	FLAT WASHER		08
09	0503012412	5/8 UNC SELF LOCKING NUT		08
10	0501046312	OIL BATH BEARING	11	08
11	0602030369	24" X 0.2" NOTCHED DISC BLADE		36



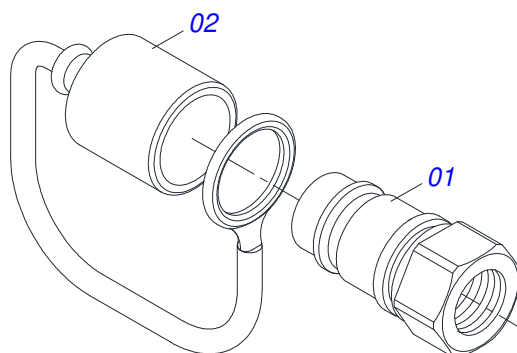
Item	Code	Description	See page	QT
01	0502020673	HOUSING CAP DM		01
02	0503010113	30212 ROLLER BEARING		02
03	0502010633	SEAL RETAINER		02
04	0503030027	DUO-CONE SEAL		02
05	0502010639	AXLE FOR CM/DM		01
06	0503031972	137 X 113,2 X 0,3 JOINT		03
07	0503031973	137 X 113,2 X 0,1 JOINT		02
08	0502012445	BEARING COVER BOX (BOX SLIGHTLY)		01
09	0503011443	3/8" SPRING WASHER		06
10	0503010237	3/8" X 1" BOLT		06
11	0502040240	INNER FLANGE		01
12	0502040239	OUTER FLANGE		01
13	0521012933	BEARING WEAR PLATE		01
14	0503010019	1/2" SPRING WASHER		04
15	0503011401	1/2" X 3/4" BOLT		04
16	0503010856	OIL PLUG		02



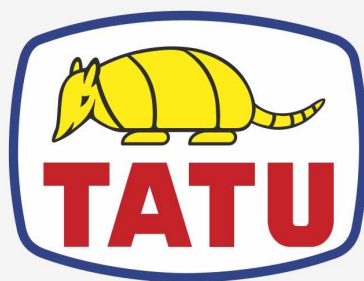
Item	Code	Description	See page	QT
01	0511058405	HYDRAULIC CYLINDER 50,80 X 101,60 X 561 X 252	13	02
02	0511051951	HOSE ASSY GNCF		01
02A	0521053107	3/8 X 7500 TR-TM HOSE BLACK / BLUE		01
02AA	0501080349	3/8" X 7500 TR-TM HOSE		01
02AB	0503034492	HYDRAULIC HOSE GRIP (BLACK)		01
02AC	0503034494	HYDRAULIC HOSE GRIP (BLUE)		01
02AD	0503018952	PLASTIC BOLT		03
02B	0521053108	3/8 X 7500 TR-TM HOSE BLACK / RED		01
02BA	0501080349	3/8" X 7500 TR-TM HOSE		01
02BB	0503034495	HYDRAULIC HOSE GRIP (RED)		01
02BC	0503034492	HYDRAULIC HOSE GRIP (BLACK)		01
02BD	0503018952	PLASTIC BOLT		03
02C	0501080402	HOSE 3/8 X 1700 TR-TC		02
02D	0501080025	TR-TC HOSE ASSY		02
03	0503010190	2-114 N 3006-9B O'RING		04
04	0503011271	3/4" UNF "T" CONNECTION T 3 SIDES		02
05	0501010617	3/4" NIPPLE		04
06	0501053834	MALE QUICK COUPLER WITH CAP - 1/2 NPT	14	02



Item	Code	Description	See page	QT
01	0511067445	50,8 X 452,5 TURNBUCLE		01
02	0502012822	101.60 END CAP		01
03	0503015636	SCRAPER SEAL		01
04	0581010678	50,80 X 101 RING SUPPORT		01
05	0503018026	1870-2000-375 B GASKET		01
06	0503011061	8-342 BACK-UP RING		02
07	0503010338	2-342 N 3006-9B O'RING		02
08	0503018025	RING GUIDE		01
09	0502012842	50,80 X 101,60 PISTON		01
10	0503010345	2-218 N 3006-9B O'RING		01
11	0503015633	SELEMASTER SEALING		01
12	0503010817	1.1/4" SELF LOCKING NUT		01
13	0503030384	CON PLUG N-001		02
14	0511066220	101,60 X 369 CYLINDER CASE		01
15	0503010002	1800 GREASE FITTING		01



Item	Code	Description	See page	QT
01	0503011627	MALE QUICK COUPLER AGR 1/2 NPT		01
02	0503011882	MALE QUICK COUPLER CAP		01



MARCHESAN

Technical Publications | Elaboration and Revision

LORENA ROCHA ALVES

www.marchesan.com.br

