

**PD - FRONT LOADER**

## **PD MF 4275/83-4 BTSC PATCTL GBA**

**Code:** 0501093091  
**Series:** S-0710  
**Revision:** 00  
**Date Revision:** SETEMBRO/2021

# **PARTS CATALOGUE**



**MARCHESAN**



# PRODUCTS

Code	Description
0106030403	PD MF4275/83-4BTSC PATCTL GBA

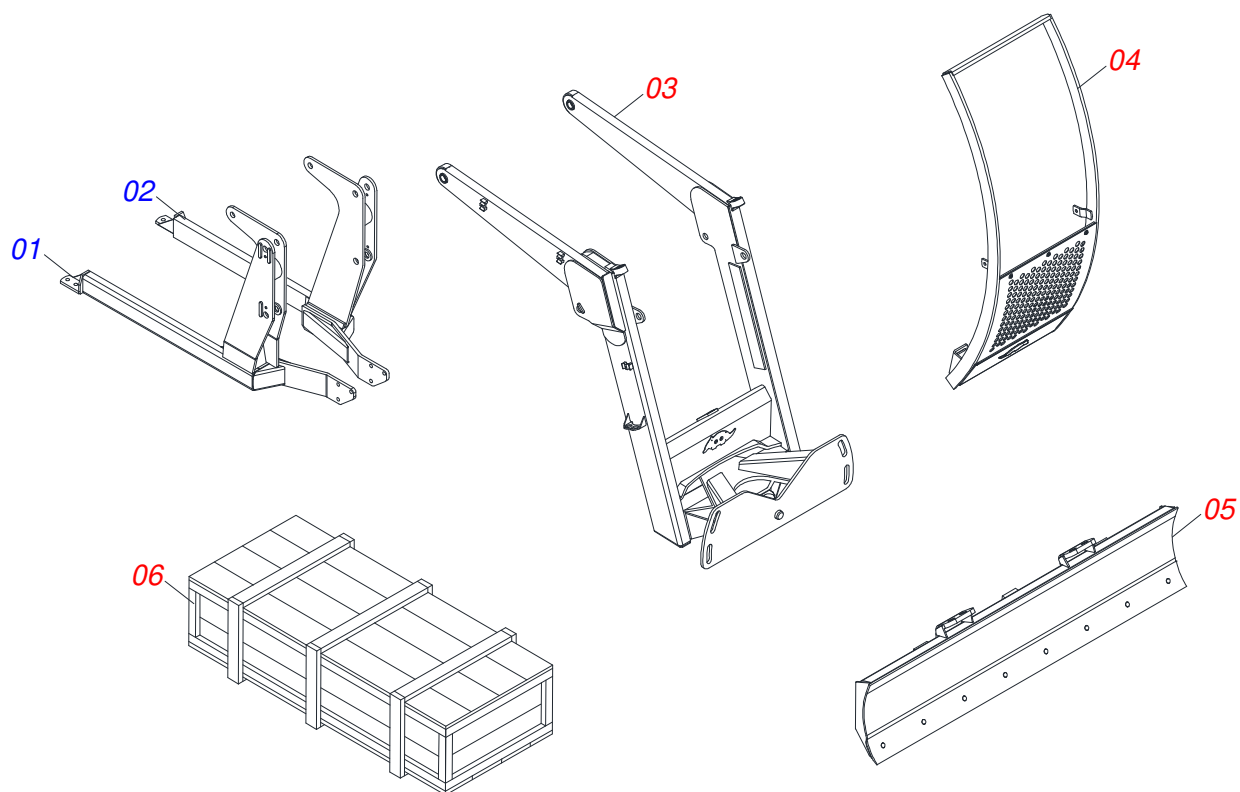
## ATTENTION: IMPORTANT

Marchesan S.A. reserves the right to improve and / or modify the technical features of its products, without obligation to do the same with those products already sold and without prior knowledge of the dealer or the consumer.

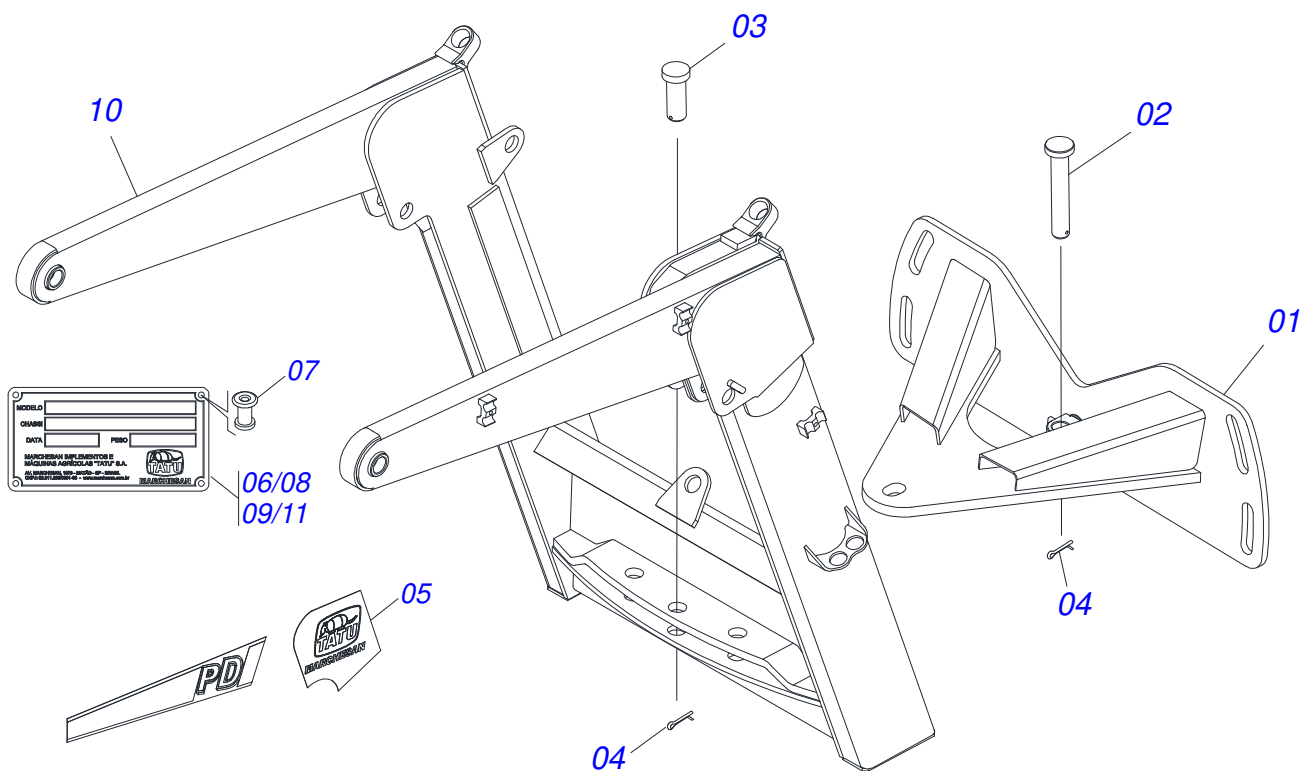


# INDEX

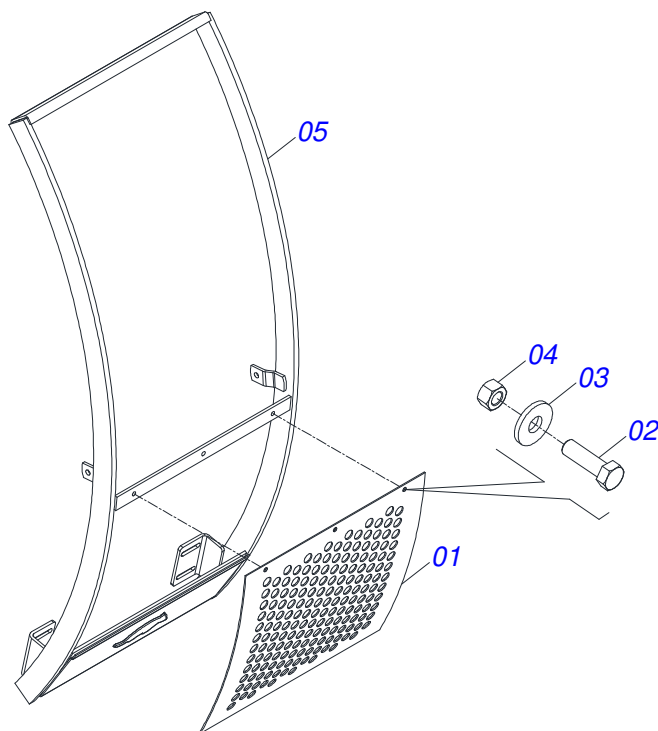
0106030403	PD MF4275/83-4BTSC PATCTL GBA	.....	1
0511049953	MOBILE FULL SUPPORT	.....	2
0511049956	MOBILE SUPPORT GUIDE ASSY	.....	3
0501047708	2400 BLADE SUPPORT	.....	4
0511025599	BOX WITH COMPONENTS	.....	5
0501046992	HYDRAULIC CYLINDER 44,45 X 85,7 X1010 X 400 BBD	.....	6
0501046993	HYDRAULIC CYLINDER 44,45 X 85,7 X1010 X 400 BBE	.....	7
0511043351	1.1/4" X 40" ROD	.....	8
0501041427	1.1/4" NC X 1540 ASSY ROD	.....	9
0501059955	SET OF HOSES	.....	10
0501038015	PACKAGED PARTS	.....	11
0501053834	MALE QUICK COUPLER WITH CAP - 1/2 NPT	.....	12



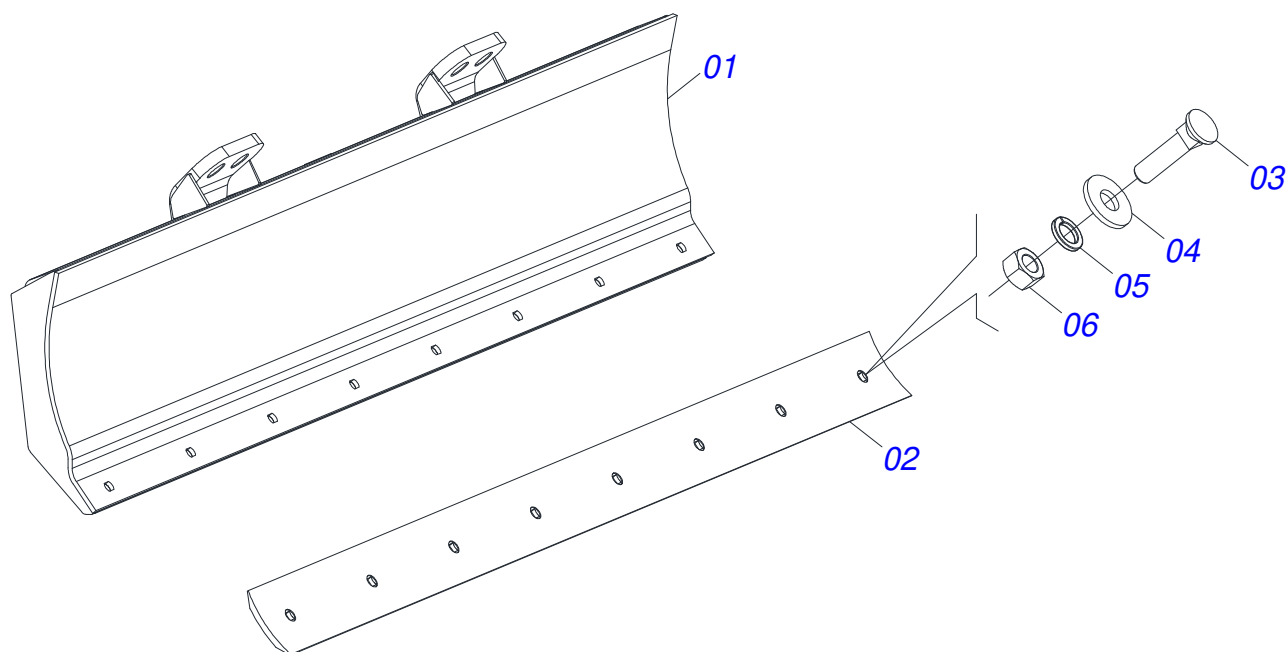
Item	Code	Description	See page	QT
01	0521061633	LEFT FRAME		01
02	0521061632	RIGHT FRAME		01
03	0511049953	MOBILE FULL SUPPORT	2	01
04	0511049956	MOBILE SUPPORT GUIDE ASSY	3	01
05	0501047708	2400 BLADE SUPPORT	4	01
06	0511025599	BOX WITH COMPONENTS	5	01



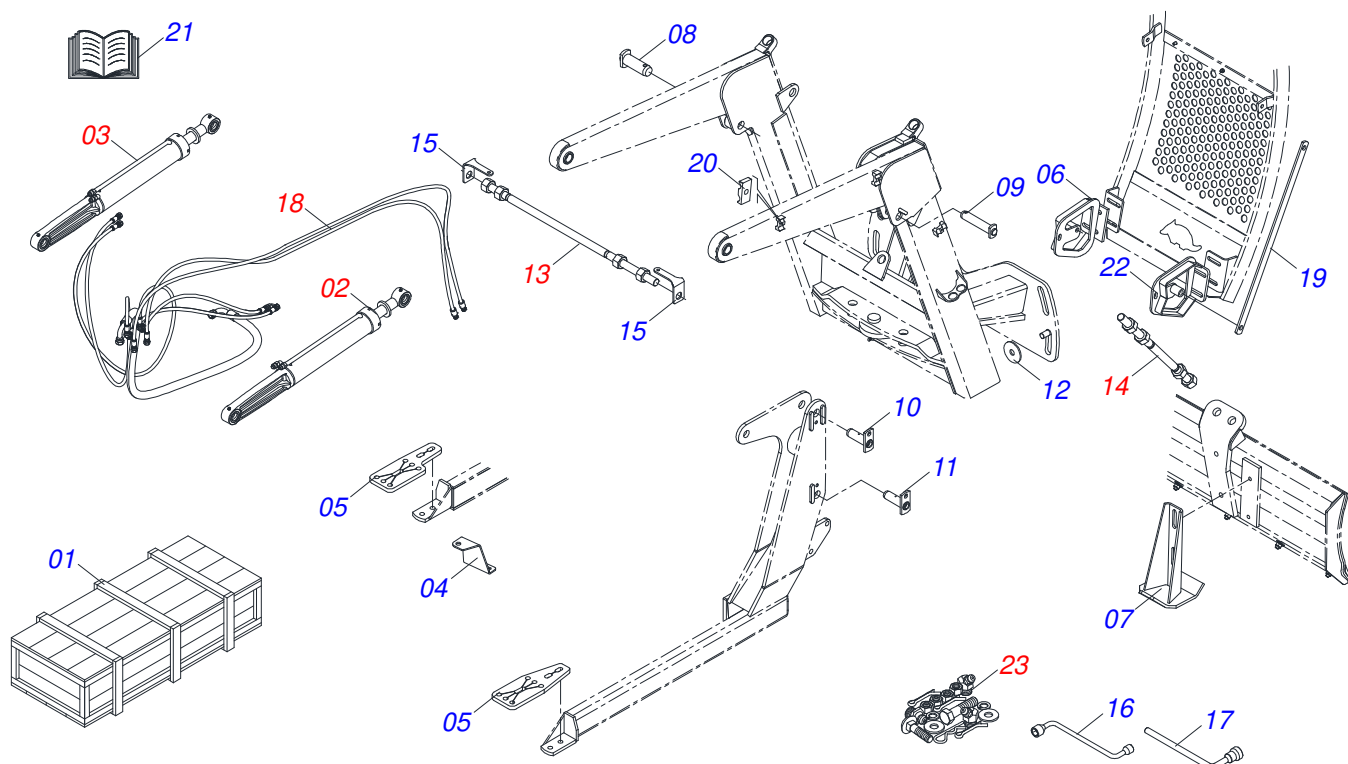
Item	Code	Description	See page	QT
01	0501062637	5/8" REGULATOR SUPPORT		01
02	0521010618	1.4" X 8.6" COUPLING SHAFT		01
03	0521010612	1.4" X 3.5" COUPLING SHAFT		01
04	0503010010	1/4" X 2.1/2" COTTERPIN		02
05	0503062270	SET LABEL ADHESIVE		01
06	0503034003	SERIAL NUMBER TAG 61 X 118		01
07	0503010001	3.2 X 5.5 RIVET		04
08	0503031428	READ MANUAL DECAL		01
09	0503031827	LUBRICATE AND RETIGHTEN DAILY DECAL		01
10	0521062701	MOBILE SUPPORT		01
11	0503034078	LIFTING POINTS DECAL		03



Item	Code	Description	See page	QT
01	0501017431	FRONT PROTECTION		01
02	0503010751	C3/8" X 1.1/4" HEX BOLT G.5		03
03	0501010984	FLAT WASHER		03
04	0503010026	3/8" NUT		03
05	0521062696	GUIDE SUPPORT MOBILE		01

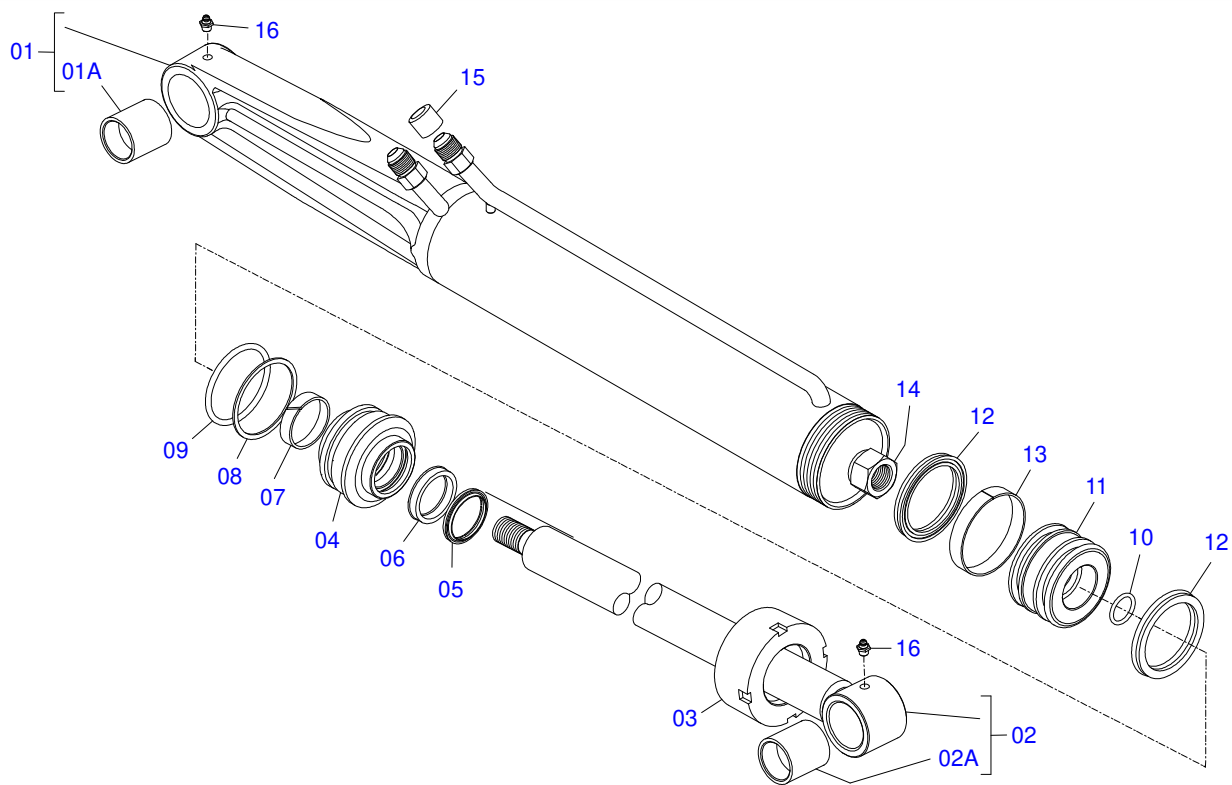


Item	Code	Description	See page	QT
01	0501067999	2390 BLADE SUPPORT		01
02	0622360016	94.5" SCRAPER REVERSIBLE		01
03	0501012240	BOLT		08
04	0501012140	FLAT WASHER		08
05	0503011445	SPRING WASHER		08
06	0503010013	5/8" NUT		08

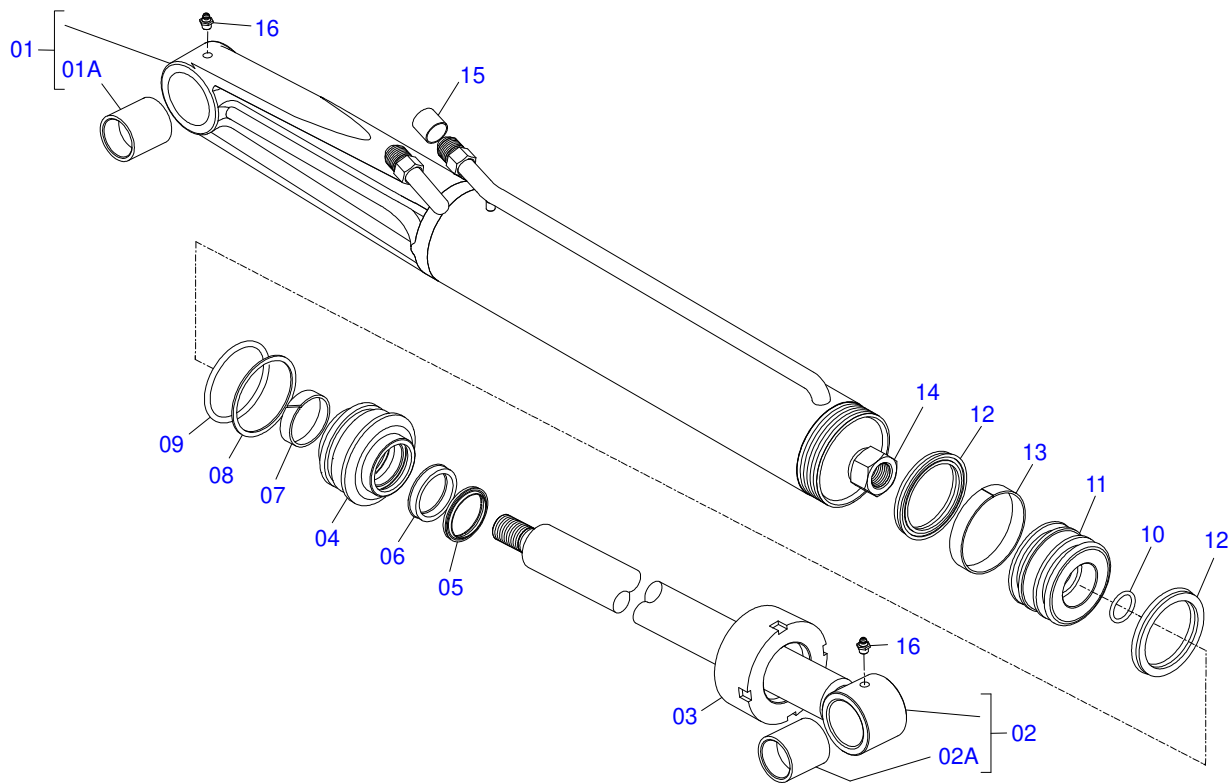


Item	Code	Description	See page	QT
01	0501100416	WOODEN BOX		01
02	0501046992	HYDRAULIC CYLINDER 44,45 X 85,7 X1010 X 400 6 BBD		01
03	0501046993	HYDRAULIC CYLINDER 44,45 X 85,7 X1010 X 400 7 BBE		01
04	0561016418	SUPPORT TANK OIL		01
05	0561016408	FRAME BRACKET		02
06	0521061644	LEFT GUIDE MOVEL SUPPORT		01
07	0501063411	ESTABILIZER BRACKET		02
08	0521063354	COUPLING SHAFT		01
09	0521063358	37,20 X 161 JOINT AXIS		01
10	0501063751	1.5" X 5.5" PIVOT SHAFT		02
11	0501063960	37,2 X 130 PIVOT SHAFT LOCK		02
12	0501010574	FLAT WASHER		04
13	0511043351	1.1/4" X 40" ROD	8	01
14	0501041427	1.1/4" NC X 1540 ASSY ROD	9	02
15	0561010051	HEADLIGHT SUPPORT		02
16	0501068213	5/8" WRENCH DOUBLE		01
17	0501061617	1" GANG BOLT WRENCH		01
18	0501059955	SET OF HOSES	10	01
19	0521063340	ANGULAR SUPPORT WITH SLEEVE		02
20	0502012702	BODY SUPPORT CLAMP		03
21	0501030481	BAG WITH INSTRUCTION MANUAL		01
22	0521061643	MOBILE SUPPORT RIGHT GUIDE		01
23	0501038015	PACKAGED PARTS	11	01

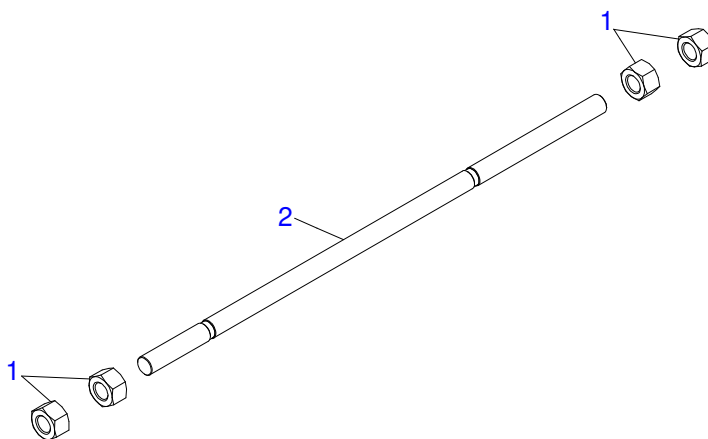




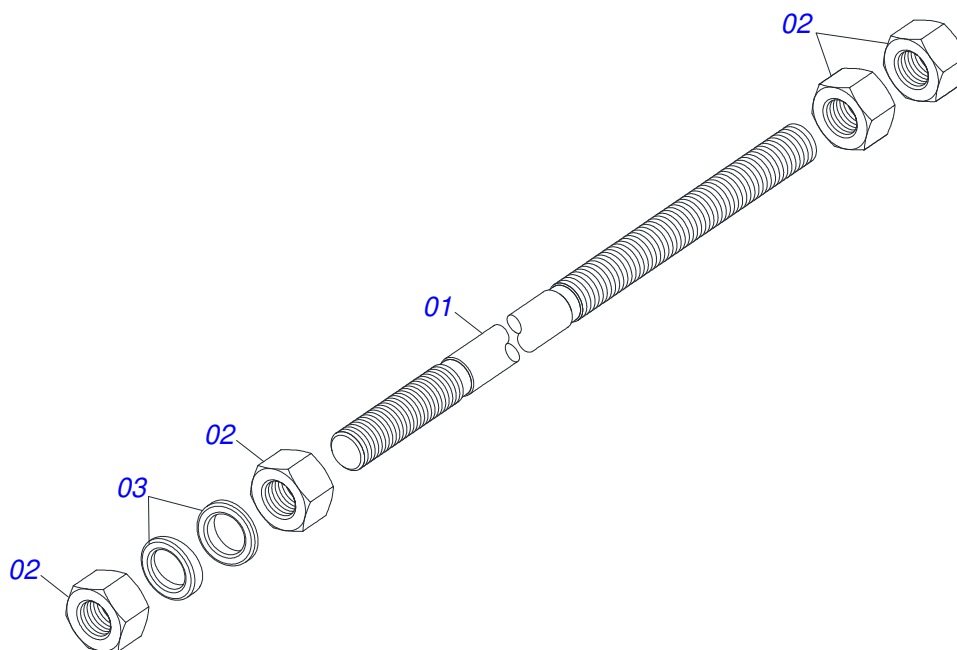
Item	Code	Description	See page	QT
01	0501068206	RIGHT 85,72 X 855 CASE		01
01A	0521010514	38,1 X 52,9 X 50 SLEEVE INTER		01
02	0501068208	44,45 X 670 TURNBUCKLE		01
02A	0521010514	38,1 X 52,9 X 50 SLEEVE INTER		01
03	0502010993	DETACHABLE COVER		01
04	0502010781	RING SUPPORT		01
05	0503010761	D-1750 SCRAPER RING		01
06	0503010990	GASKET		01
07	0503010949	W2-2000-500 PK RING G.E		01
08	0503011060	8-336 BACK-UP RING		01
09	0503010976	2-336 N 3006-9B O'RING		01
10	0503010042	2-214 N 3006-9B O'RING		01
11	0502010843	1.8" X 3.4" PISTON		01
12	0503010170	PACKING 3120 2750		02
13	0503010948	W4-3346-590 PK RING G.E		01
14	0503010063	1" SELF-ALIGNING NUT		01
15	0503030387	PLUG		02
16	0503010002	1800 GREASE FITTING		02



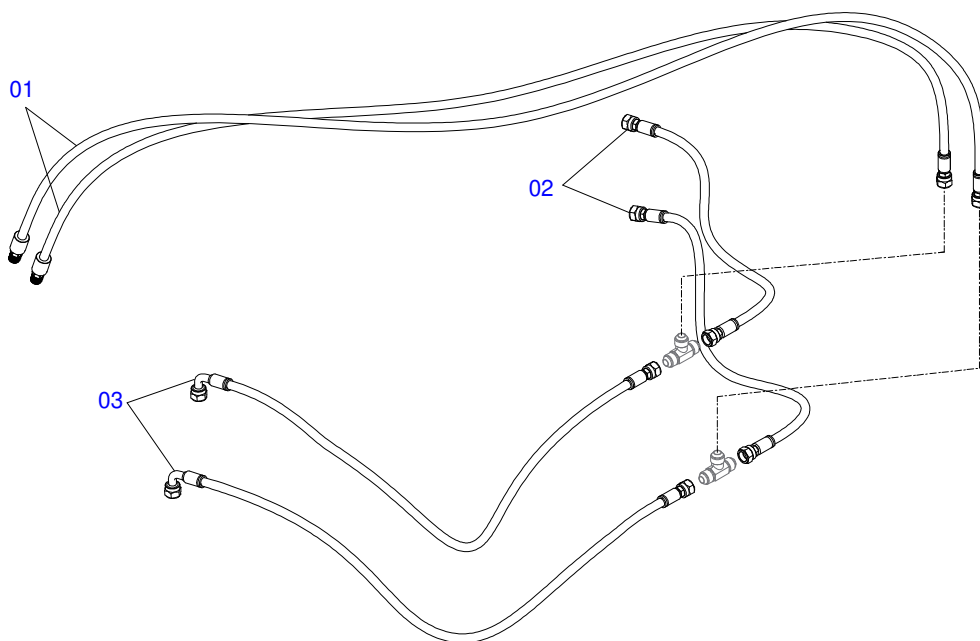
Item	Code	Description	See page	QT
01	0501068207	LEFT 85,72 X 855 CASE		01
01A	0521010514	38,1 X 52,9 X 50 SLEEVE INTER		01
02	0501068208	44,45 X 670 TURNBUCKLE		01
02A	0521010514	38,1 X 52,9 X 50 SLEEVE INTER		01
03	0502010993	DETACHABLE COVER		01
04	0502010781	RING SUPPORT		01
05	0503010761	D-1750 SCRAPER RING		01
06	0503010990	GASKET		01
07	0503010949	W2-2000-500 PK RING G.E		01
08	0503011060	8-336 BACK-UP RING		01
09	0503010976	2-336 N 3006-9B O'RING		01
10	0503010042	2-214 N 3006-9B O'RING		01
11	0502010843	1.8" X 3.4" PISTON		01
12	0503010170	PACKING 3120 2750		02
13	0503010948	W4-3346-590 PK RING G.E		01
14	0503010063	1" SELF-ALIGNING NUT		01
15	0503030387	PLUG		02
16	0503010002	1800 GREASE FITTING		02



Item	Code	Description	See page	QT
01	0501010087	1.1/4" NUT		04
02	0541015018	ROD 1.1/4 NC X 1000		01

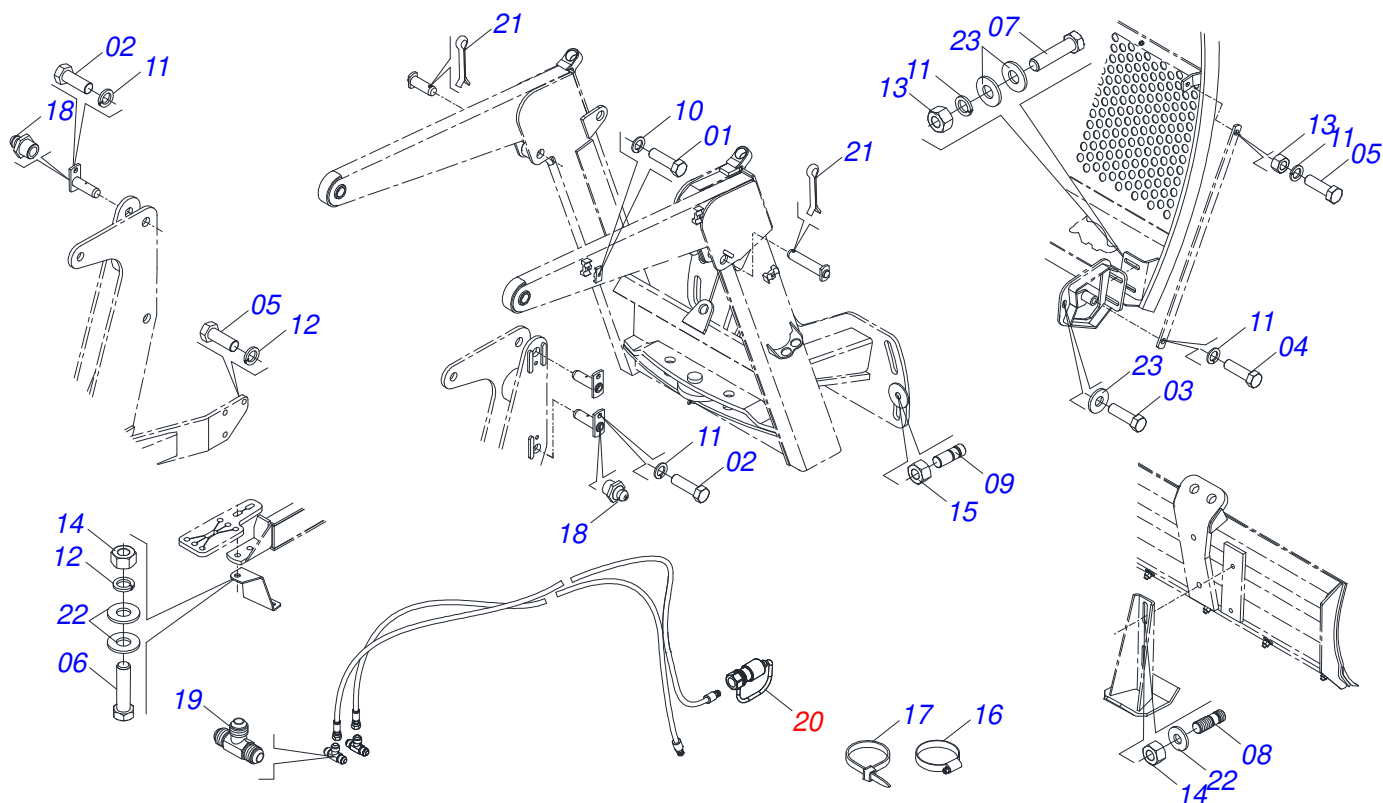


Item	Code	Description	See page	QT
01	0501014250	1.1/4" X 1540 ROD		01
02	0501010087	1.1/4" NUT		04
03	0502012180	CONICAL SPRING WASHER		02

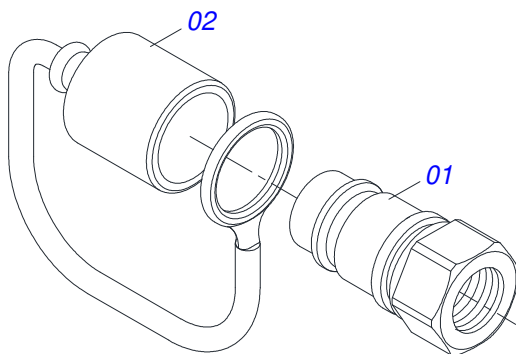


Item	Code	Description	See page	QT
01	0501080305	1/2 X 2450 TR-TM HOSE		02
02	0501080062	1/2 X 2000 TR-TC HOSE		02
03	0501080195	1/2 X 950 TR - TR HOSE		02

PACKAGED PARTS



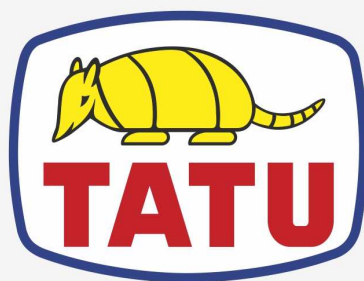
Item	Code	Description	See page	QT
01	0503012555	SCREW 7/16 UNC X 2 CS RT G.7 ZN		03
02	0503010962	5/8" X 1-1/4" BOLT		04
03	0501010100	SCREW 5/8 UNC X 2 CS G.5 ZN		08
04	0501010163	5/8" X 4-1/2" BOLT		02
05	0501010098	3/4" UNC BOLT		06
06	0501010500	3/4"X3"BOLT		04
07	0503010233	5/8" X 2-1/2" BOLT		02
08	0561016756	3/4 UNC X 3/4 UNC X 56 PRISONER		04
09	0561016755	PRISONER 1 UNC X 1 UNC X 76 ZN		04
10	0503010180	7/16" SPRING WASHER		03
11	0503010027	5/8" SPRING WASHER		14
12	0503010023	3/4" SPRING WASHER		12
13	0503010013	5/8" NUT		08
14	0503010014	3/4" NUT		08
15	0501010059	1.5/8 NUT		04
16	0503010246	CLAMP		02
17	0503013100	NYLON CLAMP		05
18	0503010002	1800 GREASE FITTING		08
19	0503013493	T CONNECTION MALE		02
20	0501053834	MALE QUICK COUPLER WITH CAP - 1/2 NPT	12	02
21	0503010534	3/8 X 2-1/2 COTTERPIN		02
22	0501010322	FLAT WASHER		12
23	0501012140	FLAT WASHER		12



Item	Code	Description	See page	QT
01	0503011627	MALE QUICK COUPLER AGR 1/2 NPT		01
02	0503011882	MALE QUICK COUPLER CAP		01







**MARCHESAN**

**Technical Publications | Elaboration and Revision**

LORENA ROCHA ALVES

[www.marchesan.com.br](http://www.marchesan.com.br)

