

PCA - AGRICULTURAL FRONT LOADER

PCA 800 AR NH 7630-4 BT SC

Code: 0501093089

Series: S-1118

Revision: 00

Date Revision: JULHO/2022

PARTS CATALOGUE



MARCHESAN



PRODUCTS

Code	Description
0106110936	PCA 800 AR NH 7630-4 BT SC S/AC

ATTENTION: IMPORTANT

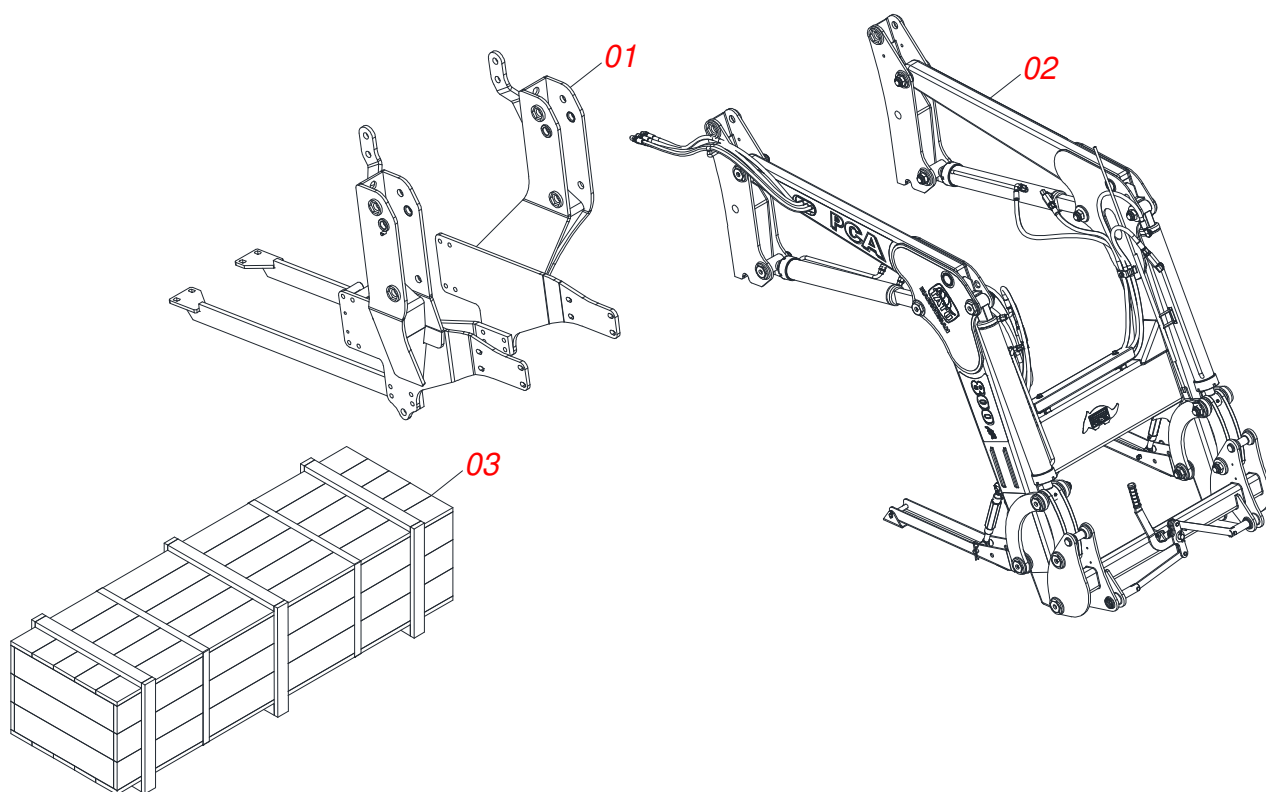
Marchesan S.A. reserves the right to improve and/or modify the technical features of its products, without obligation to do the same with those products already sold and without prior knowledge of the dealer or the consumer. The photos are only illustrative.



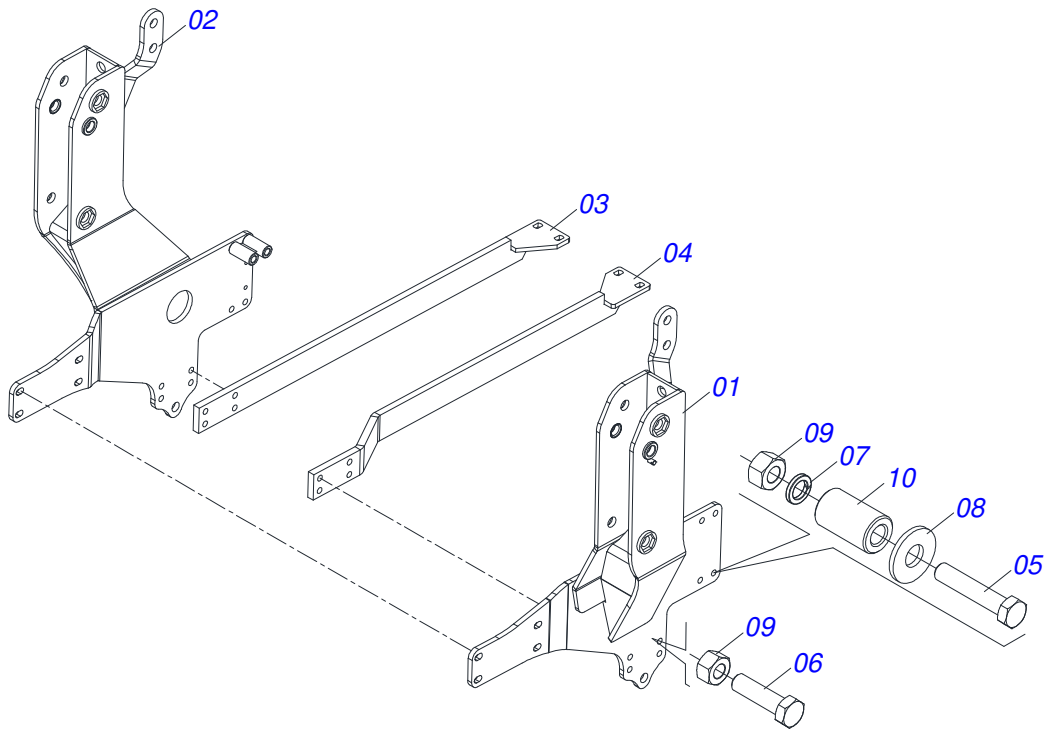
MARCHESAN

INDEX

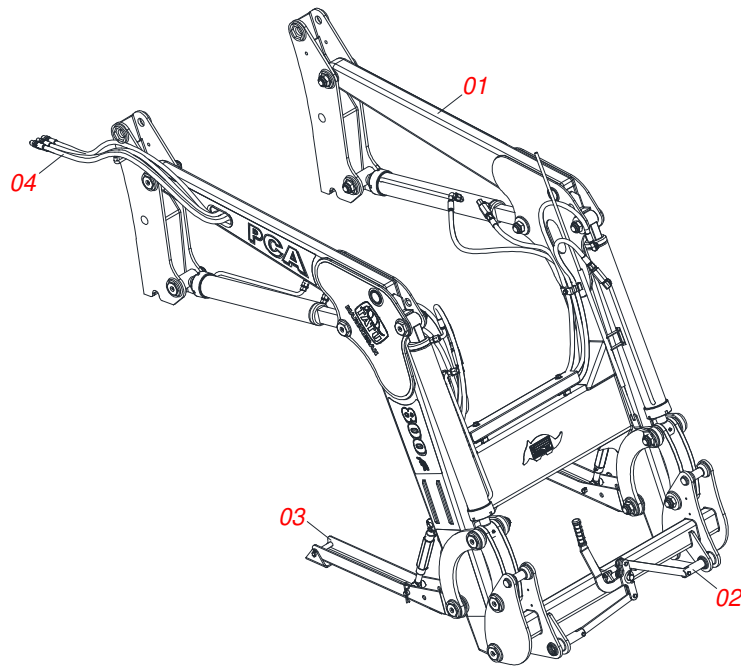
0106110936	PCA 800 AR NH 7630-4 BT SC S/AC	1
0521048820	FRAME ASSEMBLY WITH REAR BAR	2
0521047903	MOBILE SUPPORT ASSY	3
0909095397	MOBILE SUPPORT / TOWER	4
0909095399	ARTICULATION	5
0909095400	PLOUGH SET	6
0909095418	HIDRAULIC SYSTEM OF THE MOBILLE SUPPORT	7
0511057771	R.7/8UNF - SAFETY VALVE	8
0521052499	RIGHT HYDRAULIC CYLINDER	9
0521052500	RH HYDRAULIC CYLINDER	10
0521052497	HYDRAULIC CYLINDER	11
0521052501	LEFT HYDRAULIC CYLINDER	12
0521025254	BOX WITH COMPONENTS	13
0511043351	1.1/4" X 40" ROD	14
0521047554	ROD 1.1 / 4 NC 760 X 4 ASSY WITH NUT	15
0521052700	HOSE ASSY	16
0511033454	PACKED PARTS	17
0501053834	MALE QUICK COUPLER	18



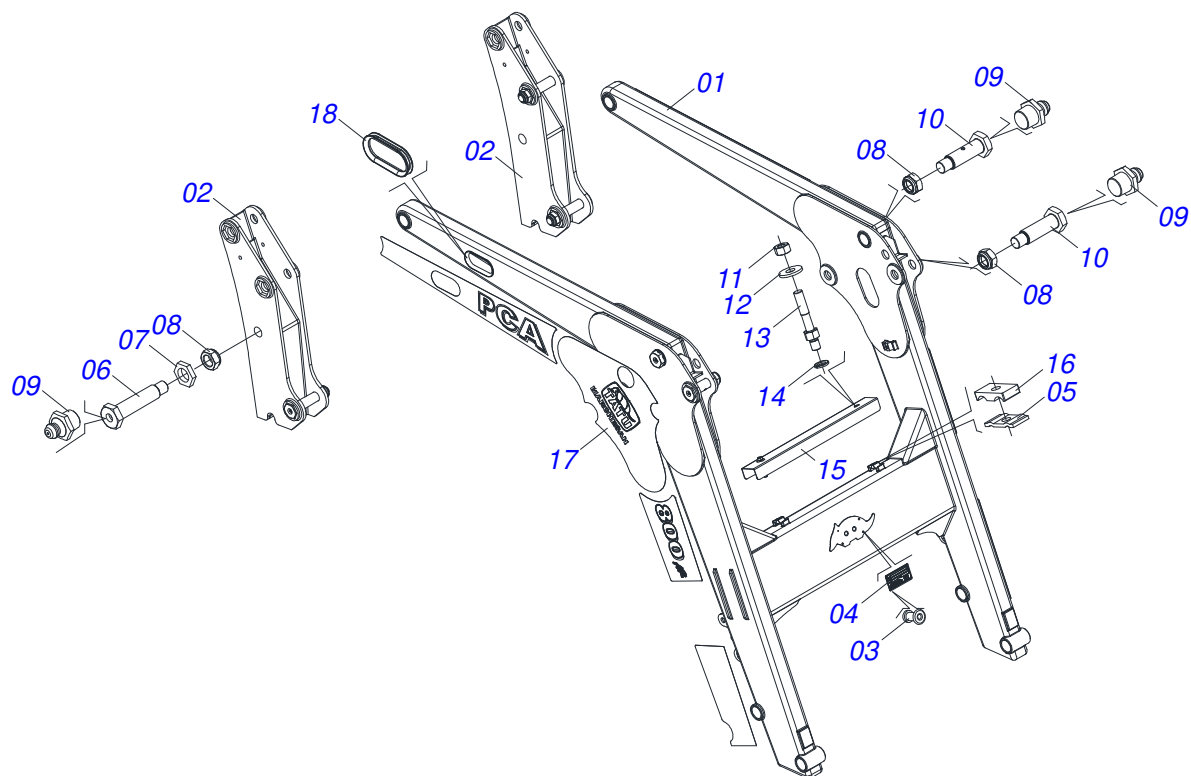
Item	Code	Description	See page	QT
01	0521048820	FRAME ASSEMBLY WITH REAR BAR	2	01
02	0521047903	MOBILE SUPPORT ASSY	3	01
03	0521025254	BOX WITH COMPONENTS	13	01



Item	Code	Description	See page	QT
01	0521069479	LEFT FRAME		01
02	0521069480	RIGHT FRAME		01
03	0521068054	RIGHT REAR BAR		01
04	0521068053	LEFT REAR BAR		01
05	0503011084	3/4" X 5" BOLT		04
06	0501010500	3/4"X3"BOLT		02
07	0503010023	3/4" SPRING WASHER		04
08	0501010322	FLAT WASHER		04
09	0503010014	3/4" NUT		06
10	0581015170	SLEEVE		04

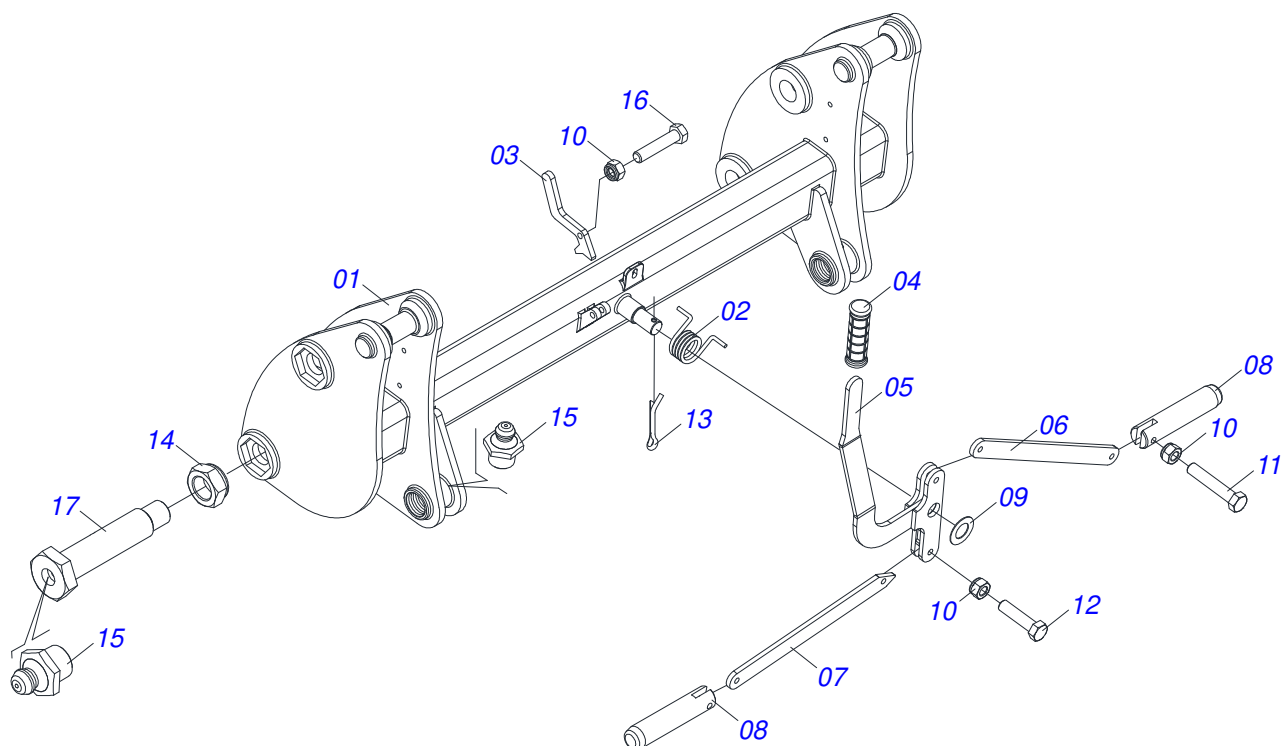


Item	Code	Description	See page	QT
01	0909095397	MOBILE SUPPORT / TOWER	4	01
02	0909095399	ARTICULATION	5	01
03	0909095400	PLOUGH SET	6	01
04	0909095418	HIDRAULIC SYSTEM OF THE MOBILLE SUPPORT	7	01



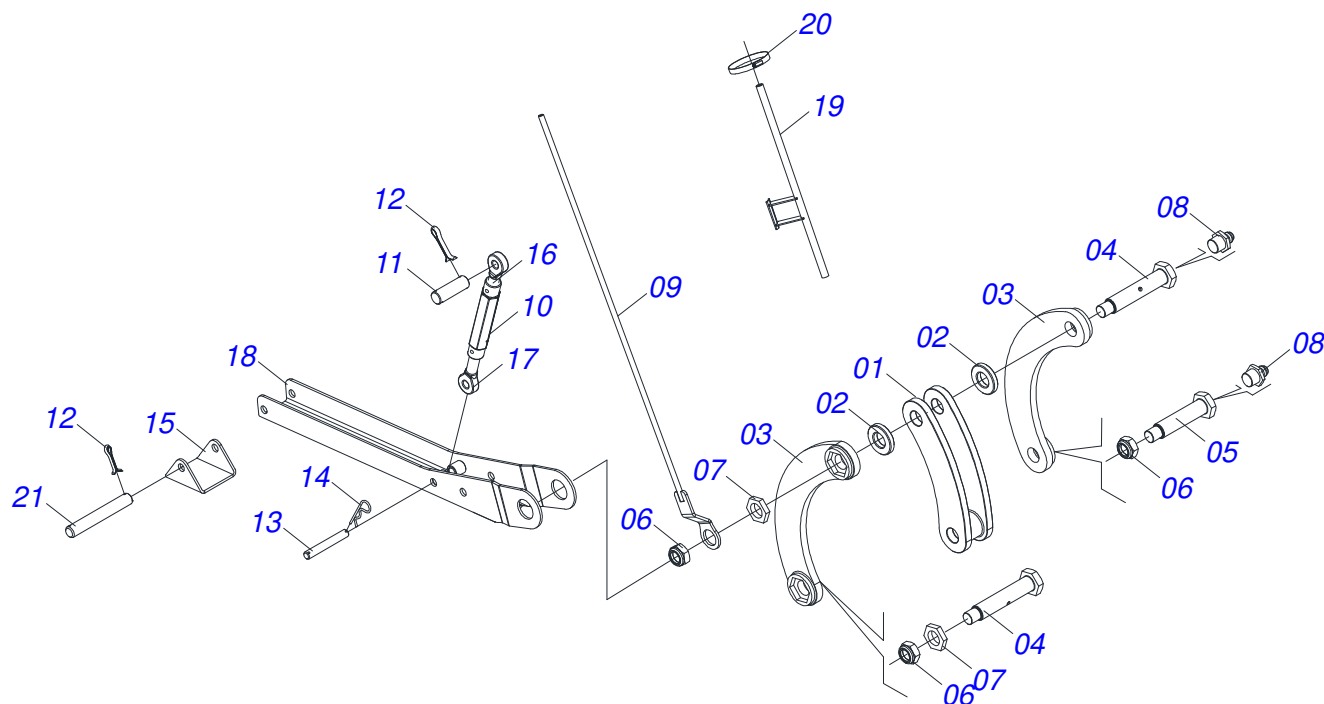
Item	Code	Description	See page	QT
01	0521068511	MOBILE SUPPORT		01
02	0521068535	TOWER		02
03	0503010001	3.2 X 5.5 RIVET		04
04	0503034003	SERIAL NUMBER TAG 61 X 118		01
05	0531011180	UPPER BODY CLIP		02
06	0581016851	BOLT		06
07	0581010243	WASHER HEX		06
08	0503010044	1-1/4" SELF LOCKING NUT		10
09	0503010002	1800 GREASE FITTING		10
10	0581016852	BOLT		04
11	0503010244	7/16" NUT		02
12	0501012803	FLAT WASHER		02
13	0581014286	PRISONER		02
14	0503010180	7/16" SPRING WASHER		02
15	0581017751	HOSE PROTECTION		01
16	0502010477	HOSE CLAMP		02
17	0503062769	ADHESIVE STICKER ASSY		01
18	0503035468	HOSE PROTECTION		02

ARTICULATION

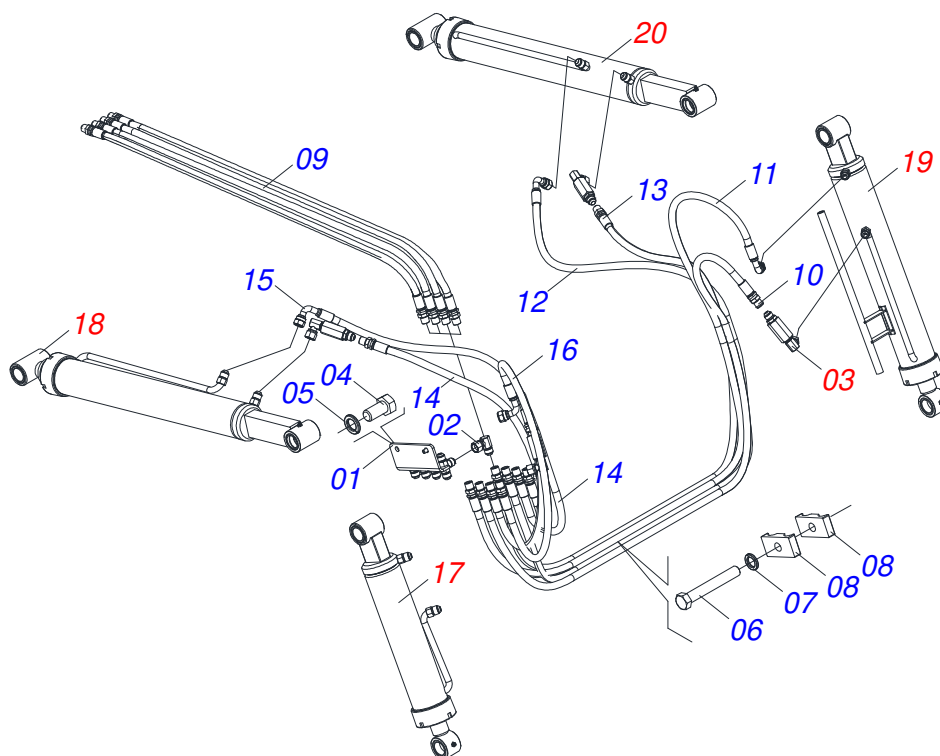


Item	Code	Description	See page	QT
01	0521065697	ARTICULATOR		01
02	0503034192	TORSION SPRING		01
03	0571018934	PENDULUM LOCKS		01
04	0503037382	Ø25 X 120 PVC HANDLE		01
05	0521065888	LEVER		01
06	0571018935	SPRING SUPPORT ARM		01
07	0571018125	RIGHT ARM OF THE UNLOCK		01
08	0571018129	PIN LOCK ACCESSORY		02
09	0561811883	28,5 X 51,5 X 1,50 SA FLAT WASHER		01
10	0503013357	3/8" SELF-ADJUSTING NUT		05
11	0503011236	3/8" X 2" BOLT		02
12	0503010849	3/8" X 1-1/2" BOLT		02
13	0503010523	1/4" X 2" COTTERPIN		01
14	0503010044	1-1/4" SELF LOCKING NUT		02
15	0503010002	1800 GREASE FITTING		04
16	0501011532	3/8" X 1-3/4" BOLT		01
17	0581016851	BOLT		02

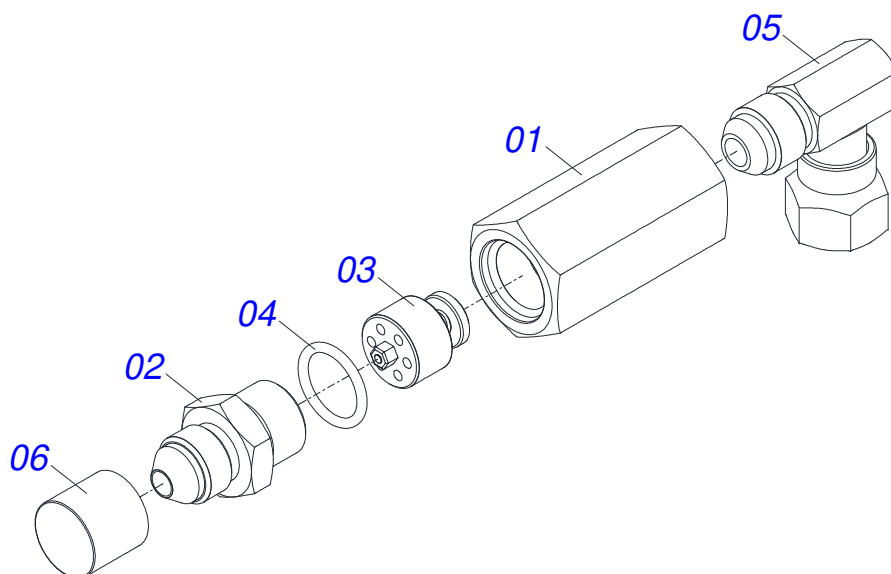
PLOUGH SET



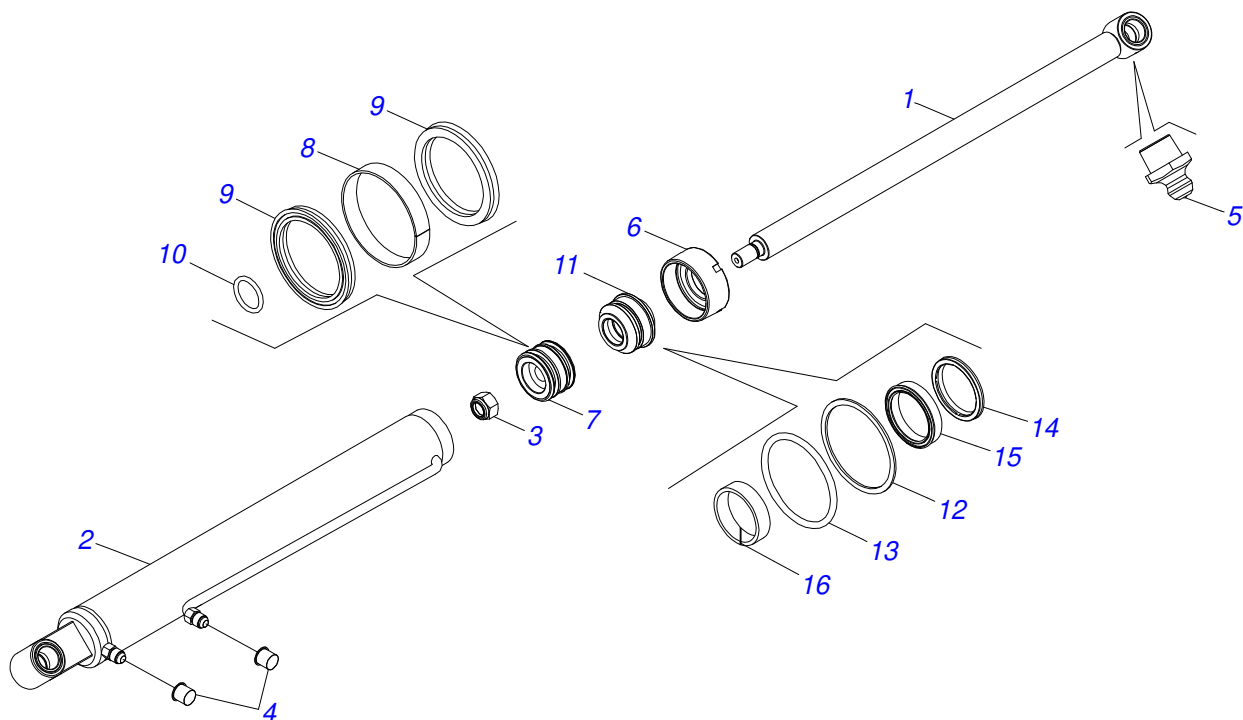
Item	Code	Description	See page	QT
01	0521068483	SMALLER COPY		02
02	0551010951	SLEEVE		04
03	0521068503	COPIER LARGER ARM		04
04	0581016853	BOLT		04
05	0581016851	BOLT		02
06	0503010044	1-1/4" SELF LOCKING NUT		06
07	0581010243	WASHER HEX		08
08	0503010002	1800 GREASE FITTING		06
09	0521068692	LEVEL ROD		01
10	0502012530	REGULATOR NUT BODY R1		02
11	0561015578	3/4 X 56 PCA VTR A750 COUPLING SHAFT		02
12	0503010071	3/16" X 1" COTTERPIN		08
13	0511013598	3/4" X 4.7" COUPLING SHAFT		02
14	0503030012	HITCH PIN CLIP		02
15	0571018252	REST BASE		02
16	0502012562	LEFT SPINDLE R1 X 160		04
17	0502012529	RIGHT SPINDLE R1 X 160		04
18	0521068520	PLOUGH SUPPORT ARM		02
19	0521067968	ROD GUIDE		01
20	0503011372	102 TO 121 CLAMP		01
21	0521012777	COUPLING SHAFT		02



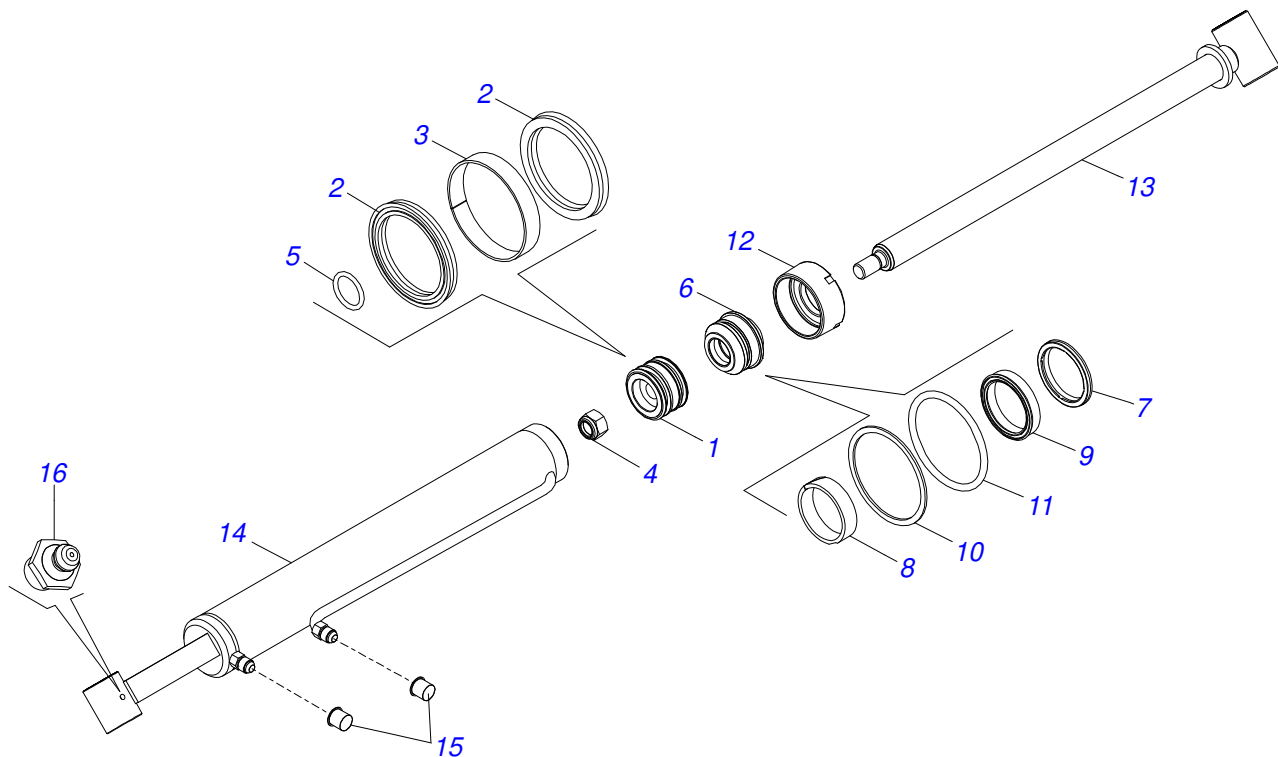
Item	Code	Description	See page	QT
01	0521068963	DIVIDING		01
02	0503018033	37 X R.7/8 UNF 90° JIC MALE CONNECTOR WITH ROTATING NUT		04
03	0511057771	R.7/8UNF - SAFETY VALVE	8	04
04	0503010256	3/8" X 3/4" BOLT		02
05	0503010025	3/8" SPRING WASHER		02
06	0503010850	BOLT 7/16 UNC X 3 CS G.5 ZN		01
07	0503010180	7/16" SPRING WASHER		01
08	0502010477	HOSE CLAMP		01
09	0501080828	HOSE		04
10	0501080603	HOSE		01
11	0501080618	1/2" X 2200 TR-TC HOSE		01
12	0501081388	1/2 X 2350 TR-TC HOSE		01
13	0501082044	HOSE		01
14	0501080021	1/2 X 1300 TR-TR HOSE ASSY		02
15	0501080059	1/2" X 61" TR-TC HOSE ASSY		01
16	0501080030	1/2" X 53" TR-TC HOSE ASSY		01
17	0521052499	RIGHT HYDRAULIC CYLINDER	9	01
18	0521052500	RH HYDRAULIC CYLINDER	10	01
19	0521052497	HYDRAULIC CYLINDER	11	01
20	0521052501	LEFT HYDRAULIC CYLINDER	12	01



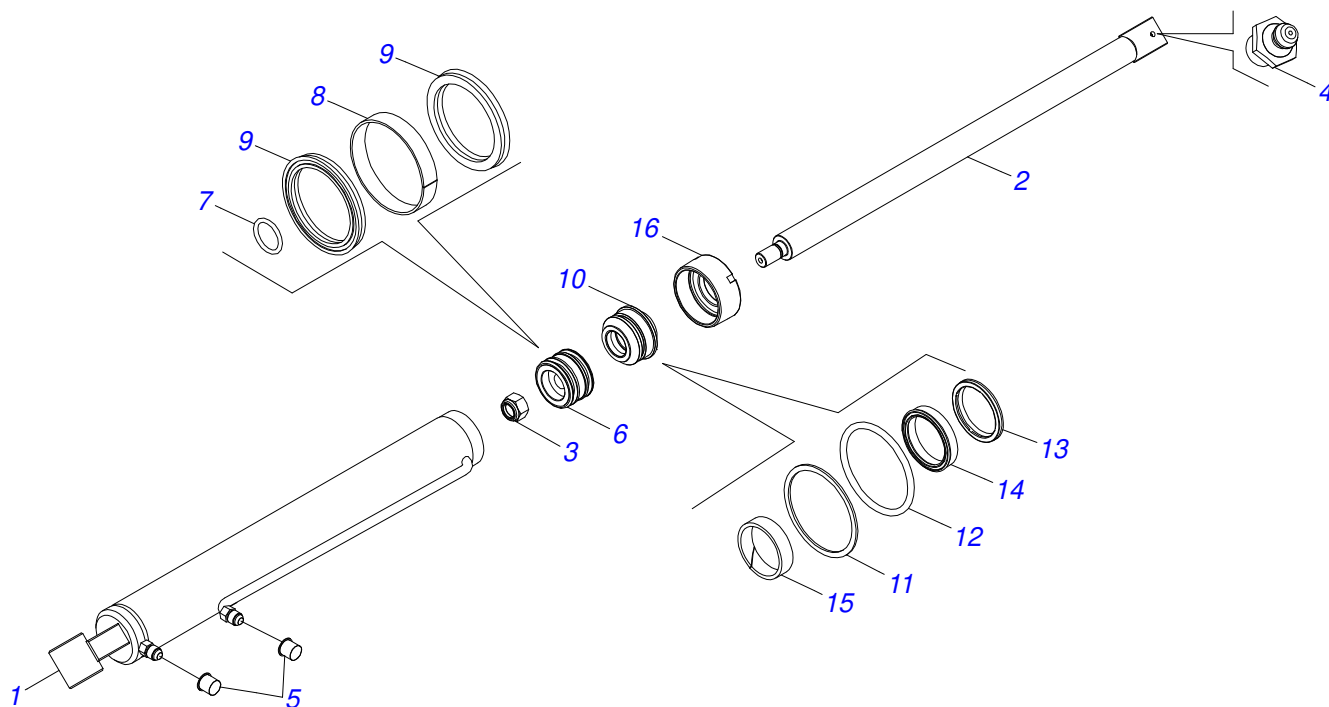
Item	Code	Description	See page	QT
01	0503018033	37 X R.7/8 UNF 90° JIC MALE CONNECTOR WITH ROTATING NUT		01
02	0581014053	1/2 BSP X 7/8 UNF JIC X 64 ADAPTER		01
03	0503016854	VALVE ASSY		01
04	0503010045	O'RING		01
05	0581014052	1/2 BSP X 7/8 UNF JIC X 43 NIPLE		01
06	0503030387	PLUG		01



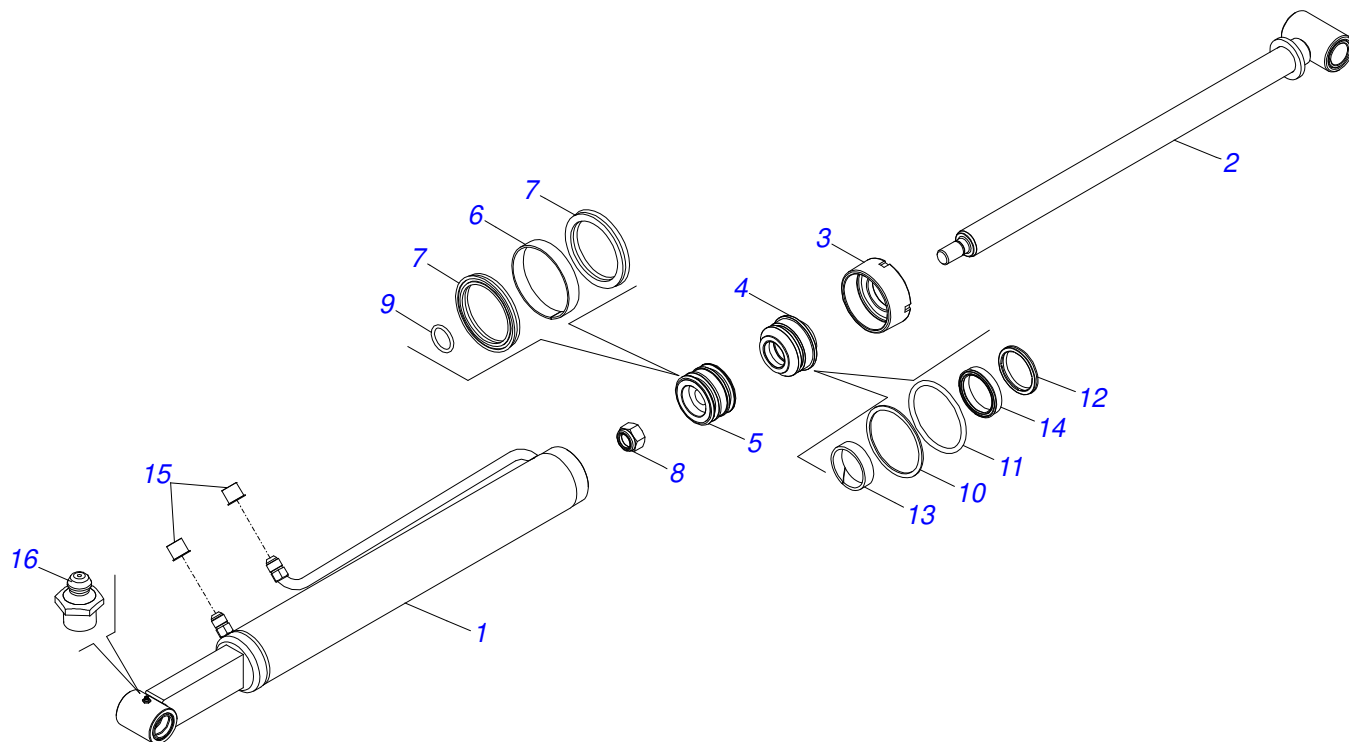
Item	Code	Description	See page	QT
01	0521068628	TURNBUCKLE		01
02	0521068525	CASE BODY		01
03	0503010063	1" SELF-ALIGNING NUT		01
04	0503030387	PLUG		02
05	0503010002	1800 GREASE FITTING		01
06	0502010993	DETACHABLE COVER		01
07	0502010843	1.8" X 3.4" PISTON		01
08	0503010948	W4-3346-590 PK RING G.E		01
09	0503010170	PACKING 3120 2750		02
10	0503010042	2-214 N 3006-9B O'RING		01
11	0502010781	RING SUPPORT		01
12	0503011060	8-336 BACK-UP RING		01
13	0503010976	2-336 N 3006-9B O'RING		01
14	0503010761	D-1750 SCRAPER RING		01
15	0503010990	GASKET		01
16	0503010949	W2-2000-500 PK RING G.E		01



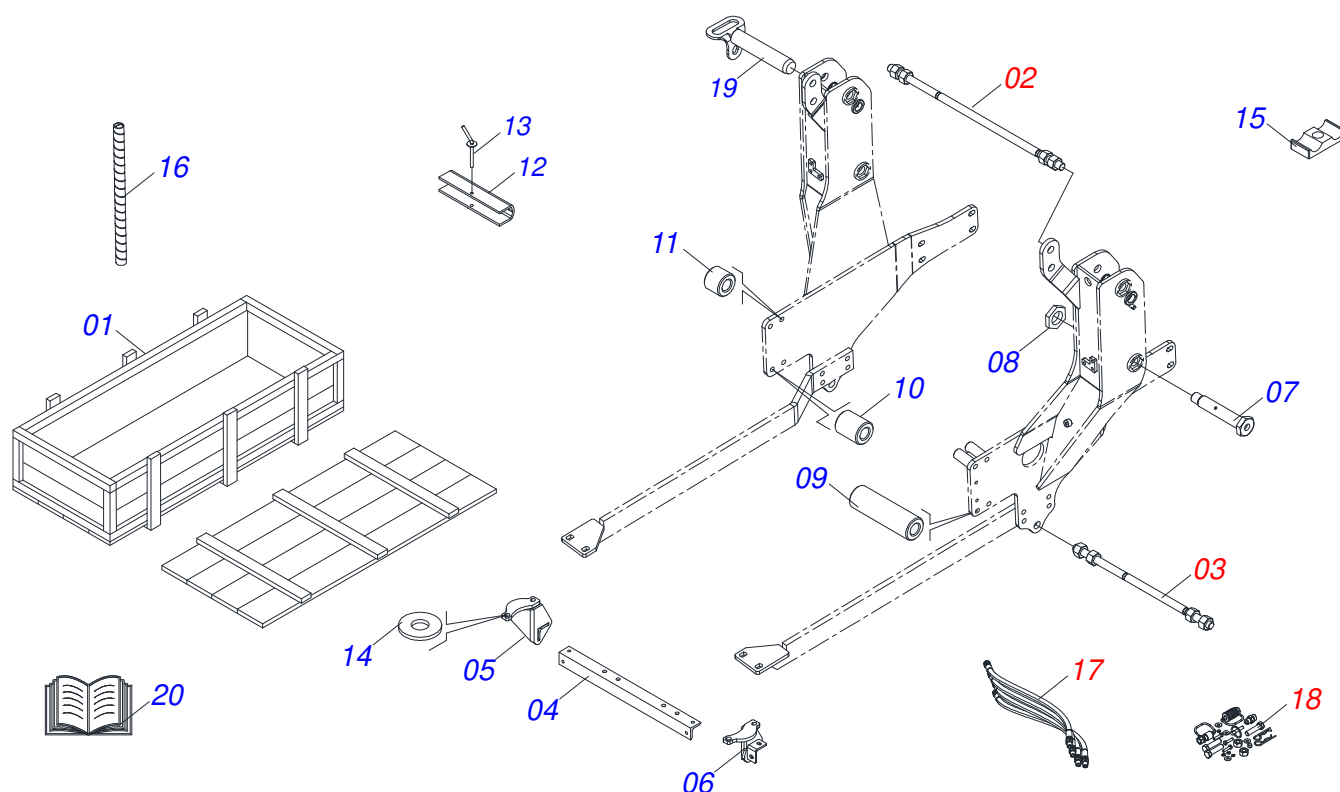
Item	Code	Description	See page	QT
01	0502010843	1.8" X 3.4" PISTON		01
02	0503010170	PACKING 3120 2750		02
03	0503010948	W4-3346-590 PK RING G.E		01
04	0503010063	1" SELF-ALIGNING NUT		01
05	0503010042	2-214 N 3006-9B O'RING		01
06	0502010781	RING SUPPORT		01
07	0503010761	D-1750 SCRAPER RING		01
08	0503010949	W2-2000-500 PK RING G.E		01
09	0503010990	GASKET		01
10	0503011060	8-336 BACK-UP RING		01
11	0503010976	2-336 N 3006-9B O'RING		01
12	0502010993	DETACHABLE COVER		01
13	0521068627	TURNBUCKLE		01
14	0521068638	RH CYLINDER CASE		01
15	0503030387	PLUG		02
16	0503010002	1800 GREASE FITTING		01
17	0501031796	HYDRAULIC CYLINDER REPAIR KIT		01



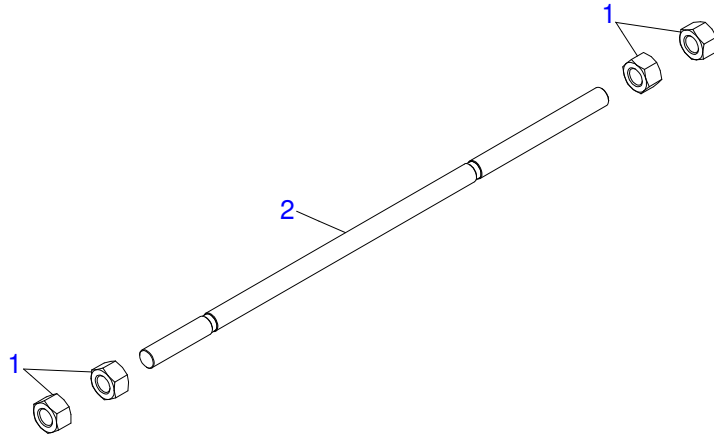
Item	Code	Description	See page	QT
01	0521068524	CASE BODY		01
02	0521068628	TURNBUCKLE		01
03	0503010063	1" SELF-ALIGNING NUT		01
04	0503010002	1800 GREASE FITTING		01
05	0503030387	PLUG		02
06	0502010843	1.8" X 3.4" PISTON		01
07	0503010042	2-214 N 3006-9B O'RING		01
08	0503010948	W4-3346-590 PK RING G.E		01
09	0503010170	PACKING 3120 2750		02
10	0502010781	RING SUPPORT		01
11	0503011060	8-336 BACK-UP RING		01
12	0503010976	2-336 N 3006-9B O'RING		01
13	0503010761	D-1750 SCRAPER RING		01
14	0503010990	GASKET		01
15	0503010949	W2-2000-500 PK RING G.E		01
16	0502010993	DETACHABLE COVER		01



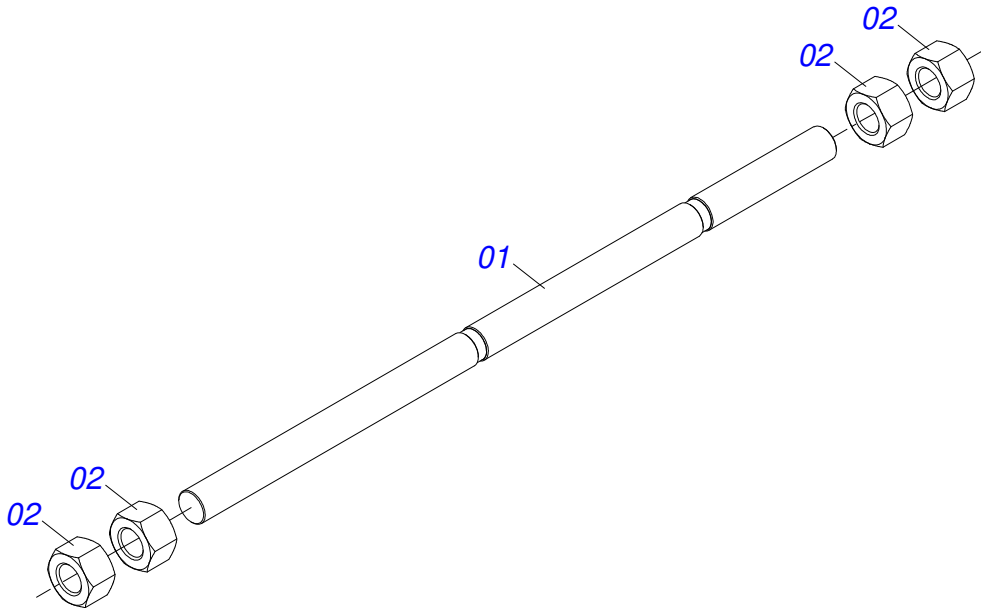
Item	Code	Description	See page	QT
01	0521068636	LH CYLINDER CASE		01
02	0521068627	TURNBUCKLE		01
03	0502010993	DETACHABLE COVER		01
04	0502010781	RING SUPPORT		01
05	0502010843	1.8" X 3.4" PISTON		01
06	0503010948	W4-3346-590 PK RING G.E		01
07	0503010170	PACKING 3120 2750		02
08	0503010063	1" SELF-ALIGNING NUT		01
09	0503010042	2-214 N 3006-9B O'RING		01
10	0503011060	8-336 BACK-UP RING		01
11	0503010976	2-336 N 3006-9B O'RING		01
12	0503010761	D-1750 SCRAPER RING		01
13	0503010949	W2-2000-500 PK RING G.E		01
14	0503010990	GASKET		01
15	0503030387	PLUG		02
16	0503010002	1800 GREASE FITTING		01
17	0501031796	HYDRAULIC CYLINDER REPAIR KIT		01



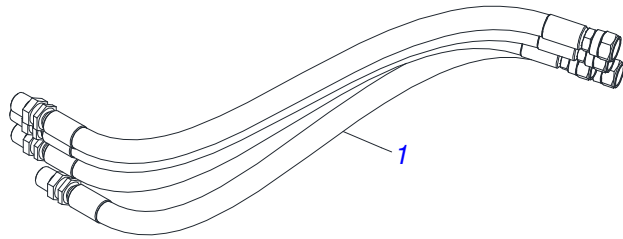
Item	Code	Description	See page	QT
01	0501100029	WOODEN BOX		01
02	0511043351	1.1/4" X 40" ROD	14	01
03	0521047554	ROD 1.1 / 4 NC 760 X 4 ASSY WITH NUT	15	01
04	0571018368	FRAME FIXATION SUPPORT BODY 980		01
05	0521065785	LEFT FRAME FIXING SUPPORT		01
06	0521065784	FRAME FIXING RIGHT SUPPORT		01
07	0581015006	BOLT		02
08	0581010243	WASHER HEX		02
09	0581015028	GLOVE 21 X 44.45 X 141		02
10	0541013067	GLOVE 21 X 44.45 X 76		02
11	0571018371	SLEEVE		02
12	0531017238	LOCK TRANSPORT		02
13	0501068994	8,30 X 78 LOCK PIN		02
14	0501016545	FLAT WASHER		04
15	0502010477	HOSE CLAMP		03
16	0581019205	SPRING PLASTIC HOSE PROTECTION		01
17	0521052700	HOSE ASSY	16	01
18	0511033454	PACKED PARTS	17	01
19	0521068068	FIXER AXLE		02
20	0511033668	BAG WITH INSTRUCTION MANUAL		01



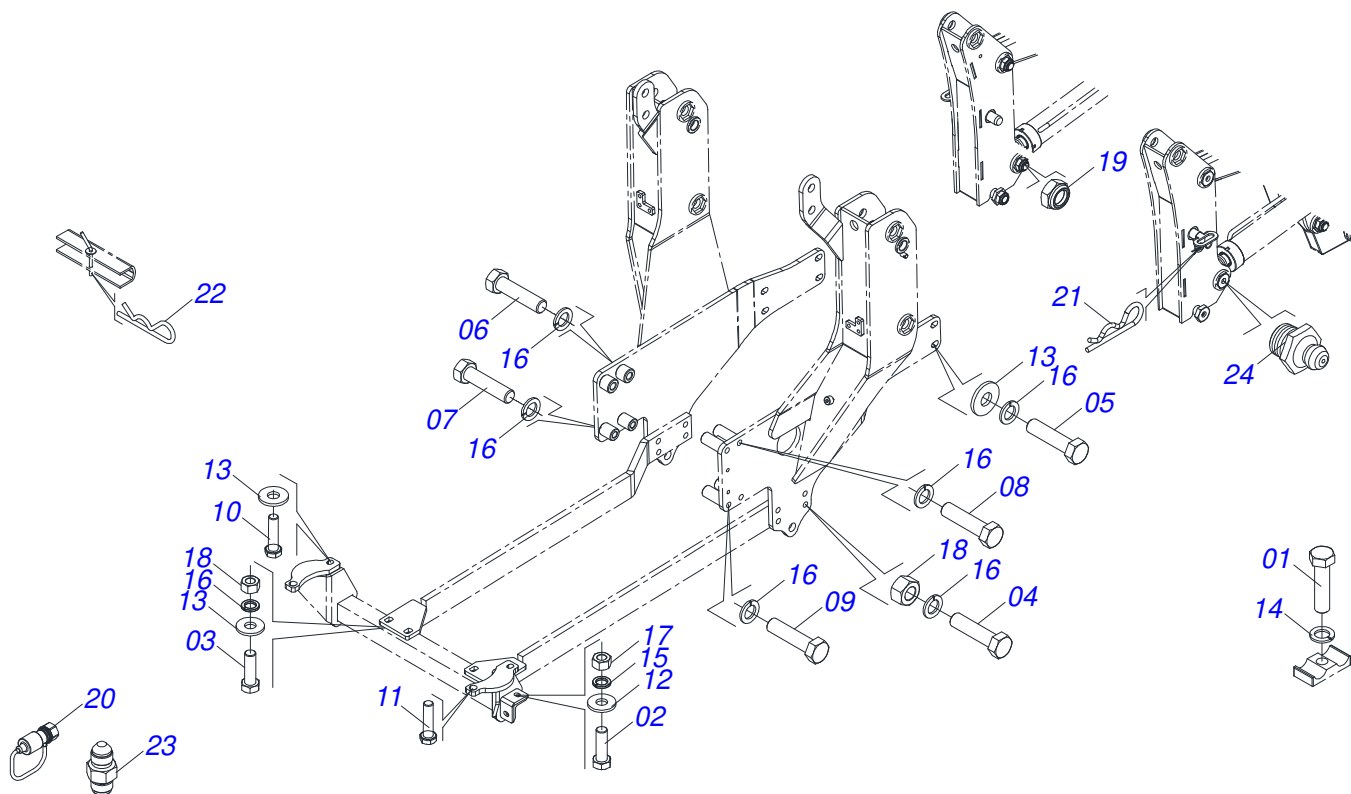
Item	Code	Description	See page	QT
01	0501010087	1.1/4" NUT		04
02	0541015018	ROD 1.1/4 NC X 1000		01



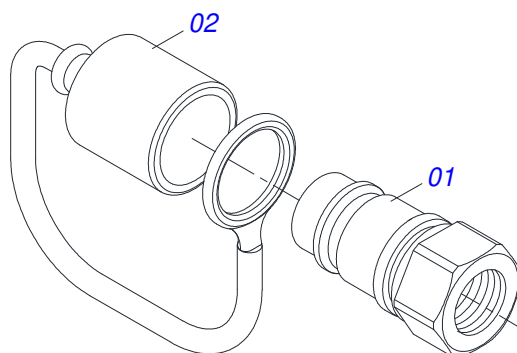
Item	Code	Description	See page	QT
01	0501010628	1.1/4" X 760 ROD		01
02	0501010087	1.1/4" NUT		04



Item	Code	Description	See page	QT
01	0501080167	1/2" X 3000 TR-TM HOSE		04



Item	Code	Description	See page	QT
01	0503011338	7/16" X 1" BOLT		02
02	0501010100	SCREW 5/8 UNC X 2 CS G.5 ZN		04
03	0501010125	3/4" X 2-1/2" BOLT		04
04	0501010500	3/4"X3"BOLT		08
05	0503013111	M20 X 2,5 X 65 BOLT		08
06	0503013103	M20 X 2,5 X 90 BOLT		02
07	0503014928	M20 X 2,5 X 130 BOLT		02
08	0503013364	M20 X 2,5 X 150 BOLT		02
09	0503015049	M20 X 2,5 X 190 BOLT		02
10	0501010066	3/4" X 9" BOLT		02
11	0501010064	1" X 9" BOLT		02
12	0501012140	FLAT WASHER		04
13	0501010322	FLAT WASHER		14
14	0503010180	7/16" SPRING WASHER		03
15	0503010027	5/8" SPRING WASHER		04
16	0503010023	3/4" SPRING WASHER		28
17	0503010013	5/8" NUT		04
18	0503010014	3/4" NUT		12
19	0503010044	1-1/4" SELF LOCKING NUT		02
20	0501053834	MALE QUICK COUPLER	18	04
21	0503030012	HITCH PIN CLIP		02
22	0503030168	HITCH PIN CLIP		02
23	0503034526	NIPPLE UNION		04
24	0503010002	1800 GREASE FITTING		02



Item	Code	Description	See page	QT
01	0503011627	MALE QUICK COUPLER AGR 1/2 NPT		01
02	0503011882	MALE QUICK COUPLER CAP		01



MARCHESAN

Technical Publications | Elaboration and Revision

LORENA ROCHA ALVES

www.marchesan.com.br

