

PD - FRONT LOADER

PD NH 7630-4 BT SC

Code: 0501093086
Series: S-0817
Revision: 00
Date Revision: SETEMBRO/2021

PARTS CATALOGUE



MARCHESAN



PRODUCTS

Code	Description
0106040350	PD NH 7630-4 BT SC

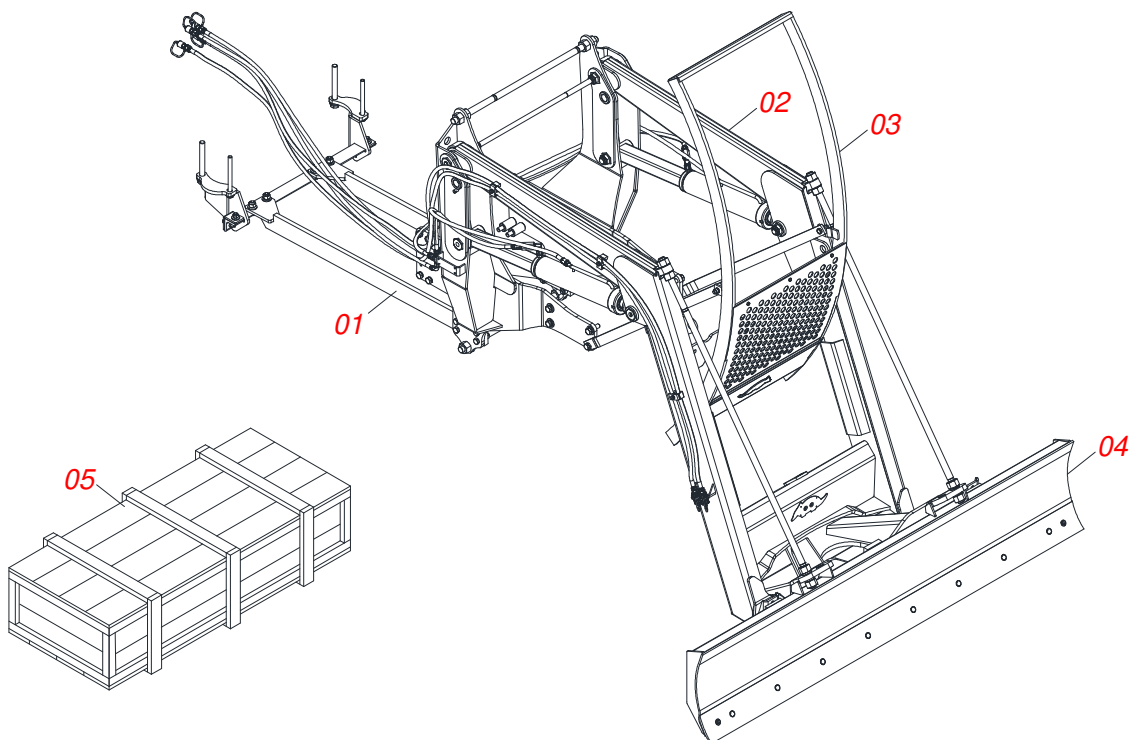
ATTENTION: IMPORTANT

Marchesan S.A. reserves the right to improve and / or modify the technical features of its products, without obligation to do the same with those products already sold and without prior knowledge of the dealer or the consumer.

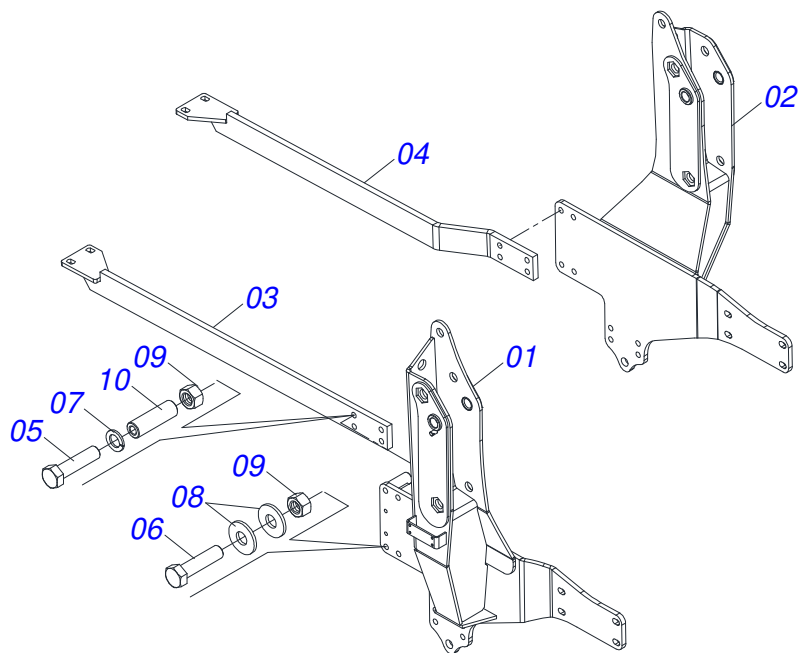


INDEX

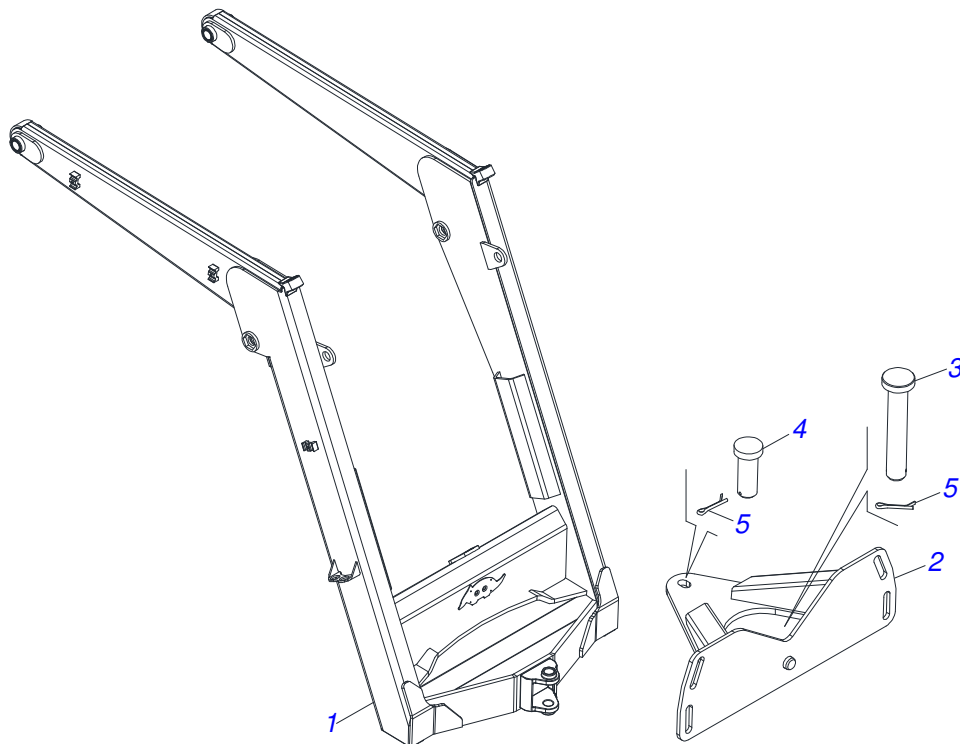
0106040350	PD NH 7630-4 BT SC	1
0521047548	FRAME WITH REAR BAR ASSEMBLY	2
0521046011	MOBILE SUPPORT	3
0501049367	ASSY HIGH MOBILE SUPPORT GUIDE	4
0501047710	2600MM BLADE SUPPORT ASSY	5
0521023762	BOX WITH COMPONENTS	6
0521044193	1.1/4 NC X 1810 FULL ROD	7
0511043351	1.1/4" X 40" ROD	8
0521047554	ROD 1.1 / 4 NC 760 X 4 ASSY WITH NUT	9
0909095974	HYDRAULIC CIRCUIT	10
0521051546	HYDRAULIC CYLINDER	11
0511057771	R.7/8UNF - SAFETY VALVE	12
0511032887	PACKED PARTS	13
0501053835	FEMALE QUICK COUPLER	14
0501053834	MALE QUICK COUPLER WITH CAP - 1/2 NPT	15



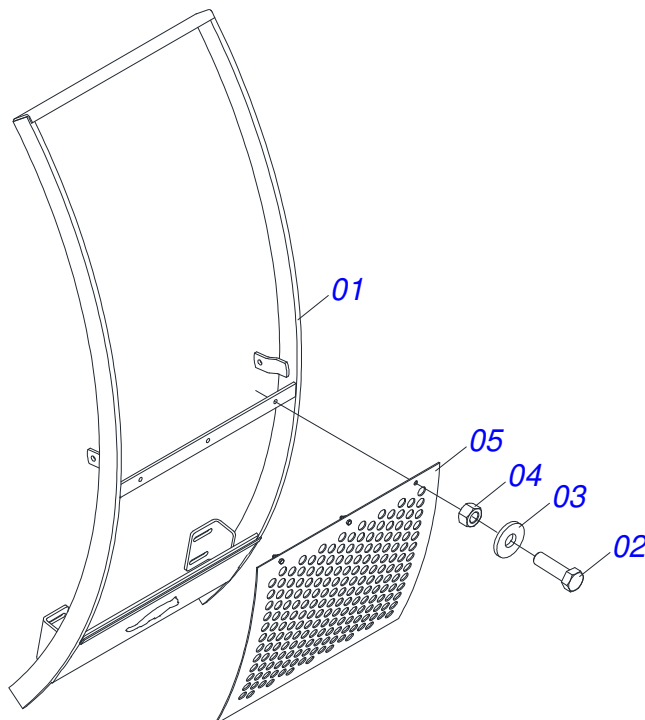
Item	Code	Description	See page	QT
01	0521047548	FRAME WITH REAR BAR ASSEMBLY	2	01
02	0521046011	MOBILE SUPPORT	3	01
03	0501049367	ASSY HIGH MOBILE SUPPORT GUIDE	4	01
04	0501047710	2600MM BLADE SUPPORT ASSY	5	01
05	0521023762	BOX WITH COMPONENTS	6	01



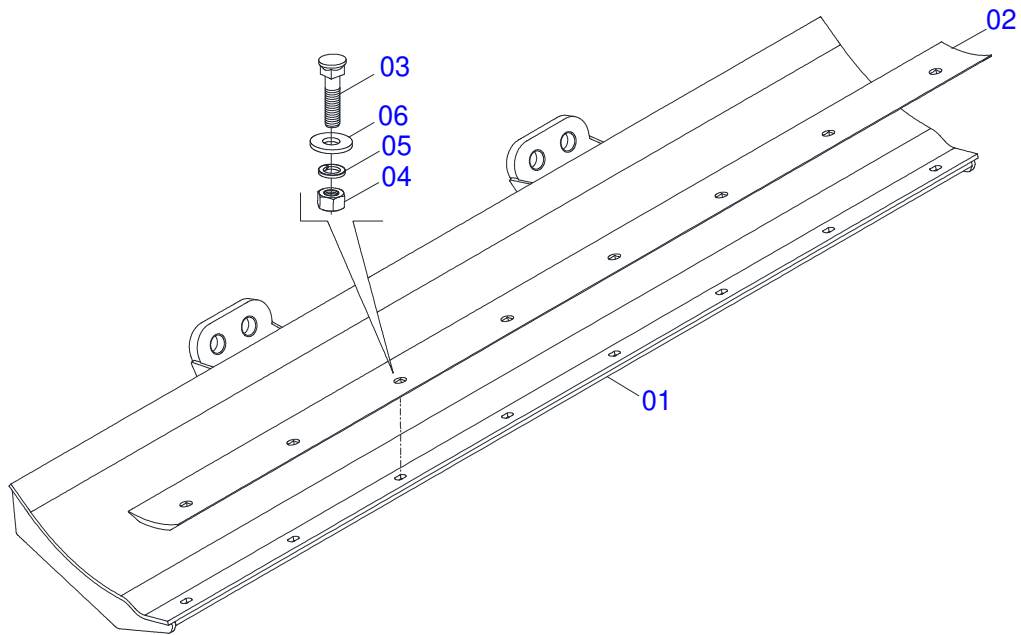
Item	Code	Description	See page	QT
01	0521068051	RIGHT FRAME		01
02	0521068052	LEFT FRAME		01
03	0521068054	RIGHT REAR BAR		01
04	0521068053	LEFT REAR BAR		01
05	0503011084	3/4" X 5" BOLT		04
06	0503011084	3/4" X 5" BOLT		02
07	0503010023	3/4" SPRING WASHER		04
08	0501010322	FLAT WASHER		06
09	0503010014	3/4" NUT		06
10	0581015170	SLEEVE		04



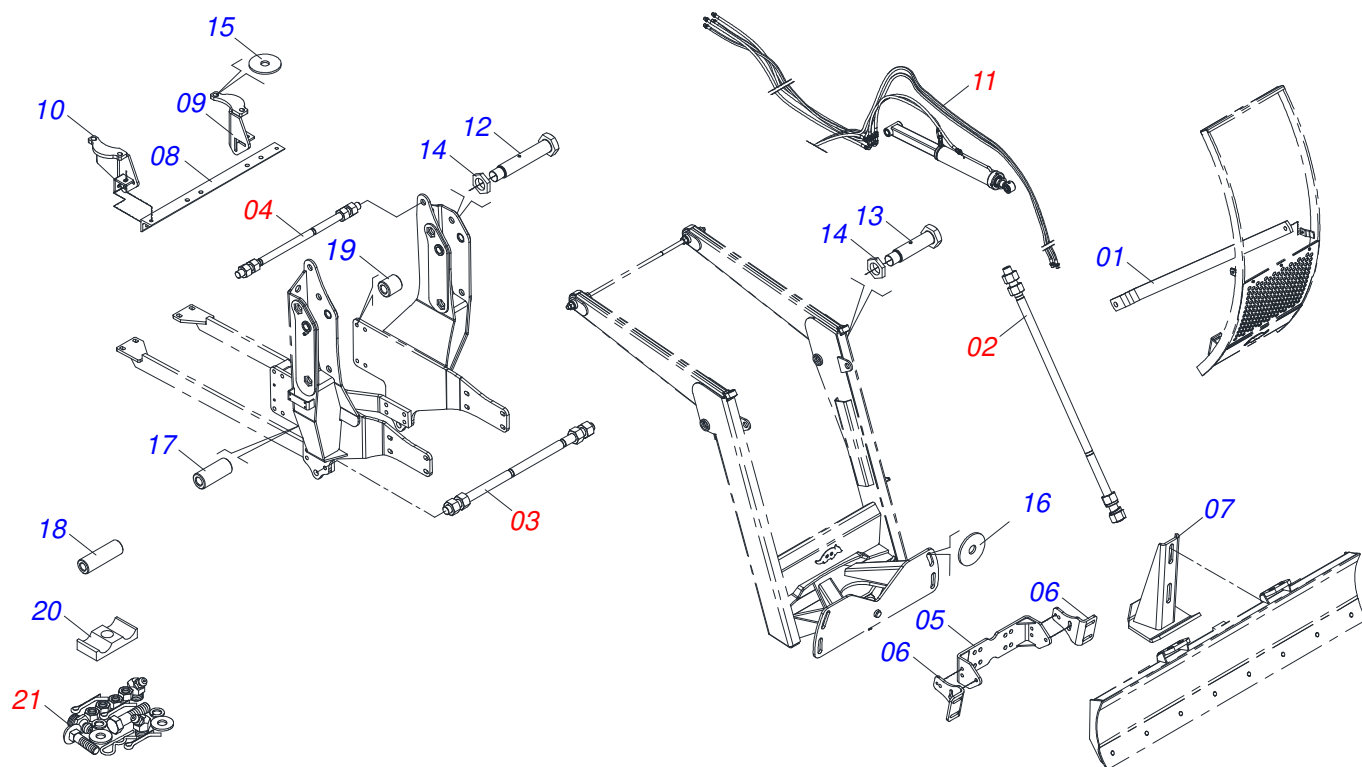
Item	Code	Description	See page	QT
01	0521066582	MOBILE SUPPORT		01
02	0501062637	5/8" REGULATOR SUPPORT		01
03	0521010618	1.4" X 8.6" COUPLING SHAFT		01
04	0521010612	1.4" X 3.5" COUPLING SHAFT		01
05	0503010010	1/4" X 2.1/2" COTTERPIN		02



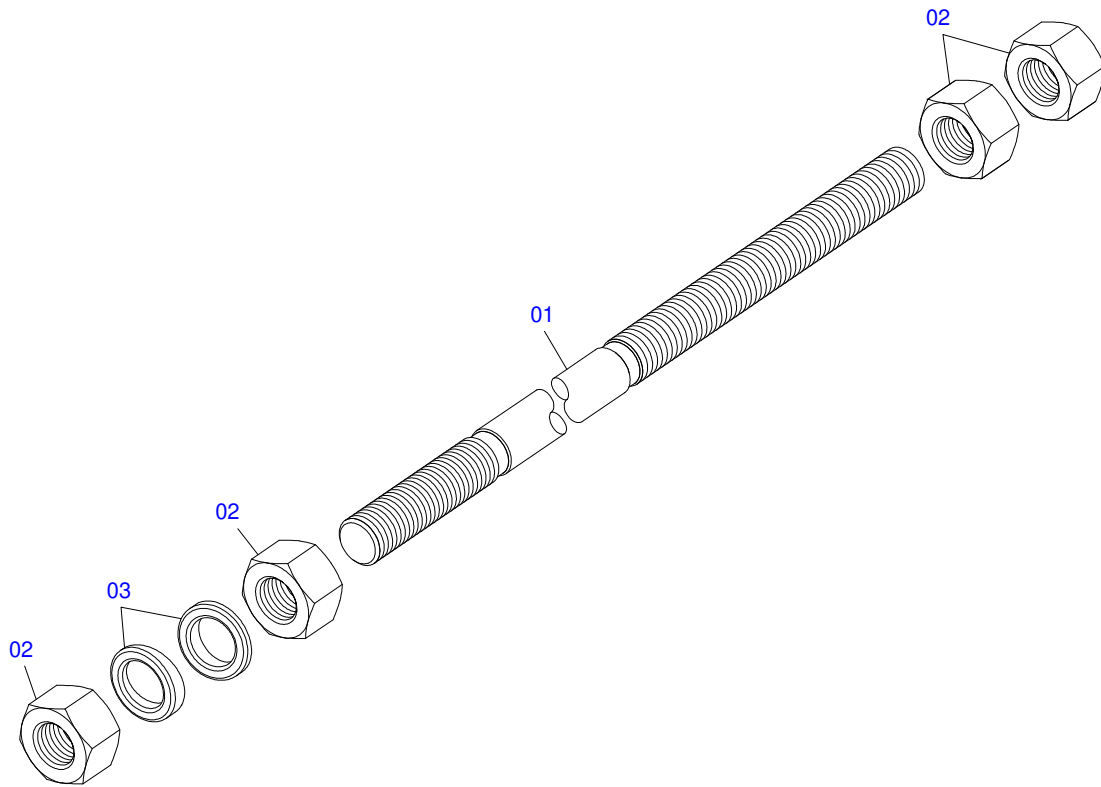
Item	Code	Description	See page	QT
01	0511061956	MOBILE SUPPORT GUIDE ASSY		01
02	0503010751	C3/8" X 1.1/4" HEX BOLT G.5		03
03	0501010984	FLAT WASHER		03
04	0503010026	3/8" NUT		03
05	0501014687	FRONT PROTECTION		01



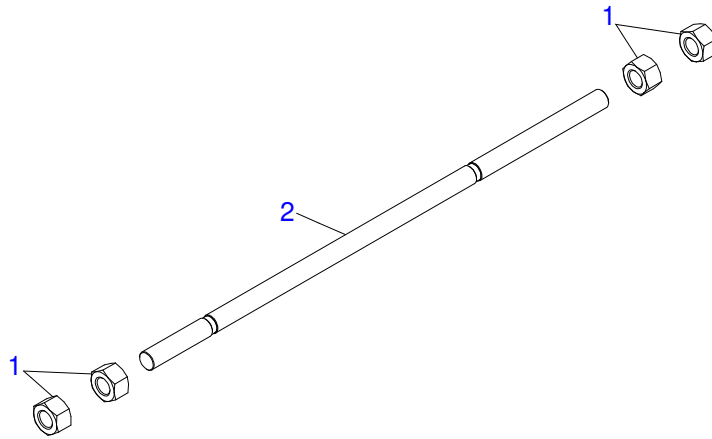
Item	Code	Description	See page	QT
01	0501068001	2590MM BLADE SUPPORT ASSY		01
02	0622360011	2600 SCRAPER REVERSIBLE		01
03	0501012240	BOLT		08
04	0503010013	5/8" NUT		08
05	0503010027	5/8" SPRING WASHER		08
06	0501010301	FLAT WASHER		08



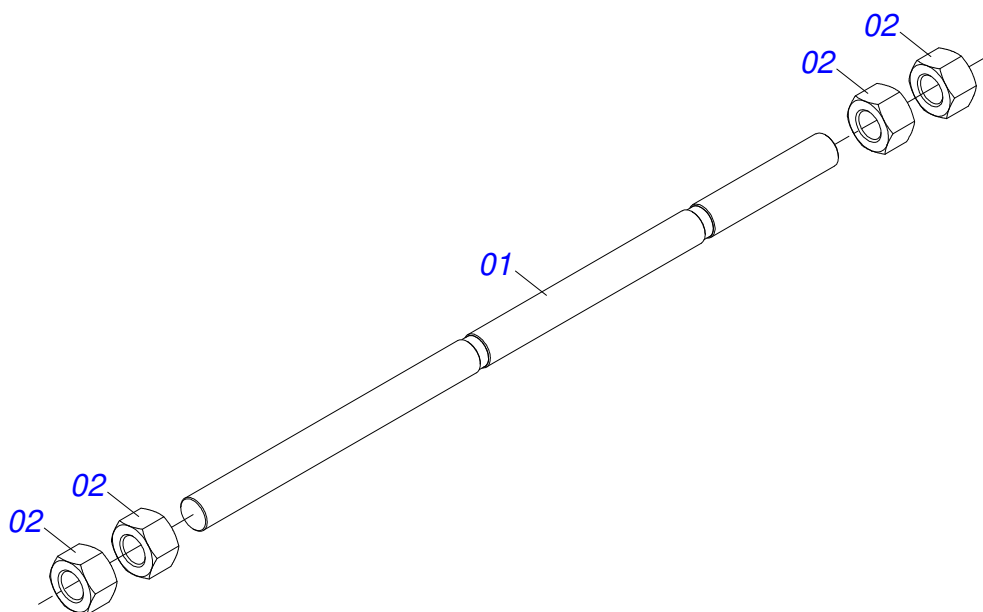
Item	Code	Description	See page	QT
01	0581015051	FRENCH HAND 1275		02
02	0521044193	1.1/4 NC X 1810 FULL ROD	7	02
03	0511043351	1.1/4" X 40" ROD	8	01
04	0521047554	ROD 1.1 / 4 NC 760 X 4 ASSY WITH NUT	9	01
05	0521064256	MOBILE SUPPORT GUIDE FIXER		01
06	0571010158	FIXER GUIDE MOBILE SUPPORT		02
07	0501063411	ESTABILIZER BRACKET		02
08	0571018368	FRAME FIXATION SUPPORT BODY 980		01
09	0521065785	LEFT FRAME FIXING SUPPORT		01
10	0521065784	FRAME FIXING RIGHT SUPPORT		01
11	0909095974	HYDRAULIC CIRCUIT	10	02
12	0581015006	BOLT		04
13	0581015007	BOLT 1.1/4 UNF X 103		02
14	0581010243	WASHER HEX		06
15	0501016545	FLAT WASHER		04
16	0501010574	FLAT WASHER		04
17	0581015028	GLOVE 21 X 44.45 X 141		02
18	0541013067	GLOVE 21 X 44.45 X 76		02
19	0571018371	SLEEVE		02
20	0502010477	HOSE CLAMP		05
21	0511032887	PACKED PARTS	13	01



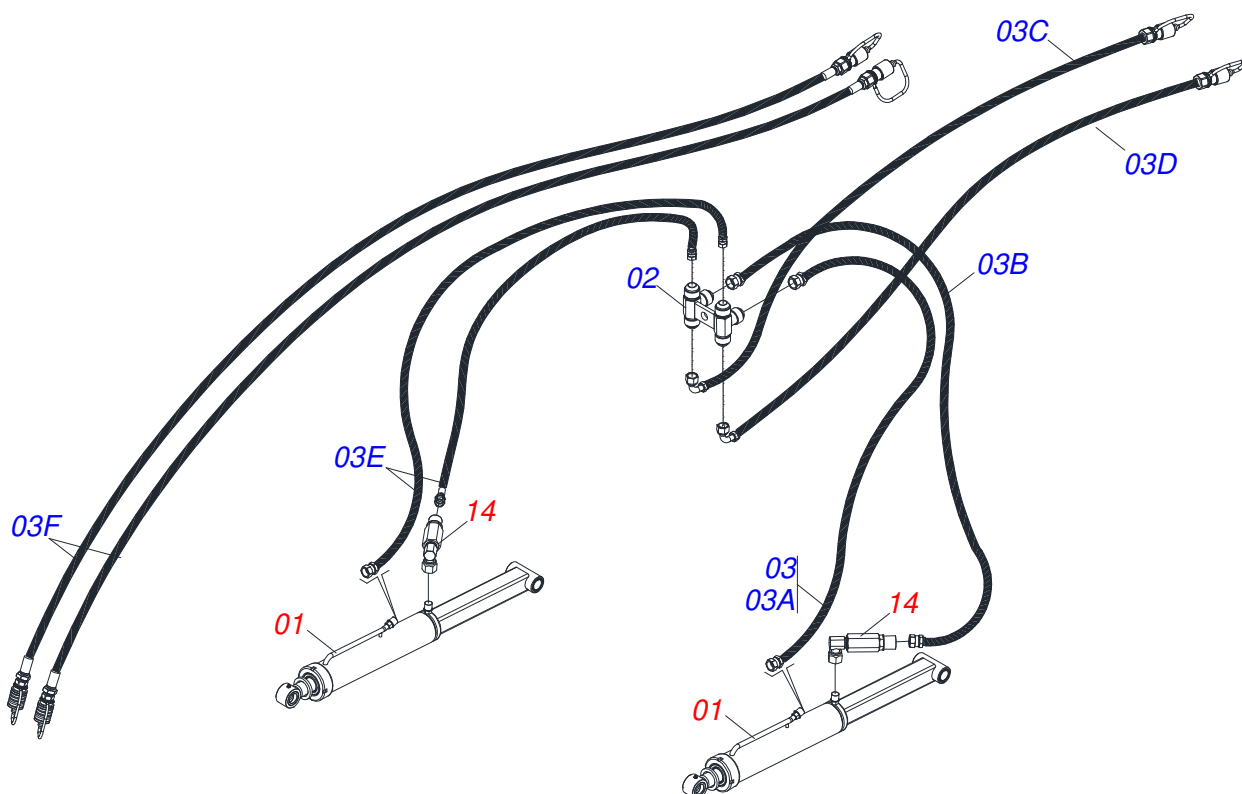
Item	Code	Description	See page	QT
01	0571016063	1.1/4X1810 ROD		01
02	0501010087	1.1/4" NUT		04
03	0502012180	CONICAL SPRING WASHER		02



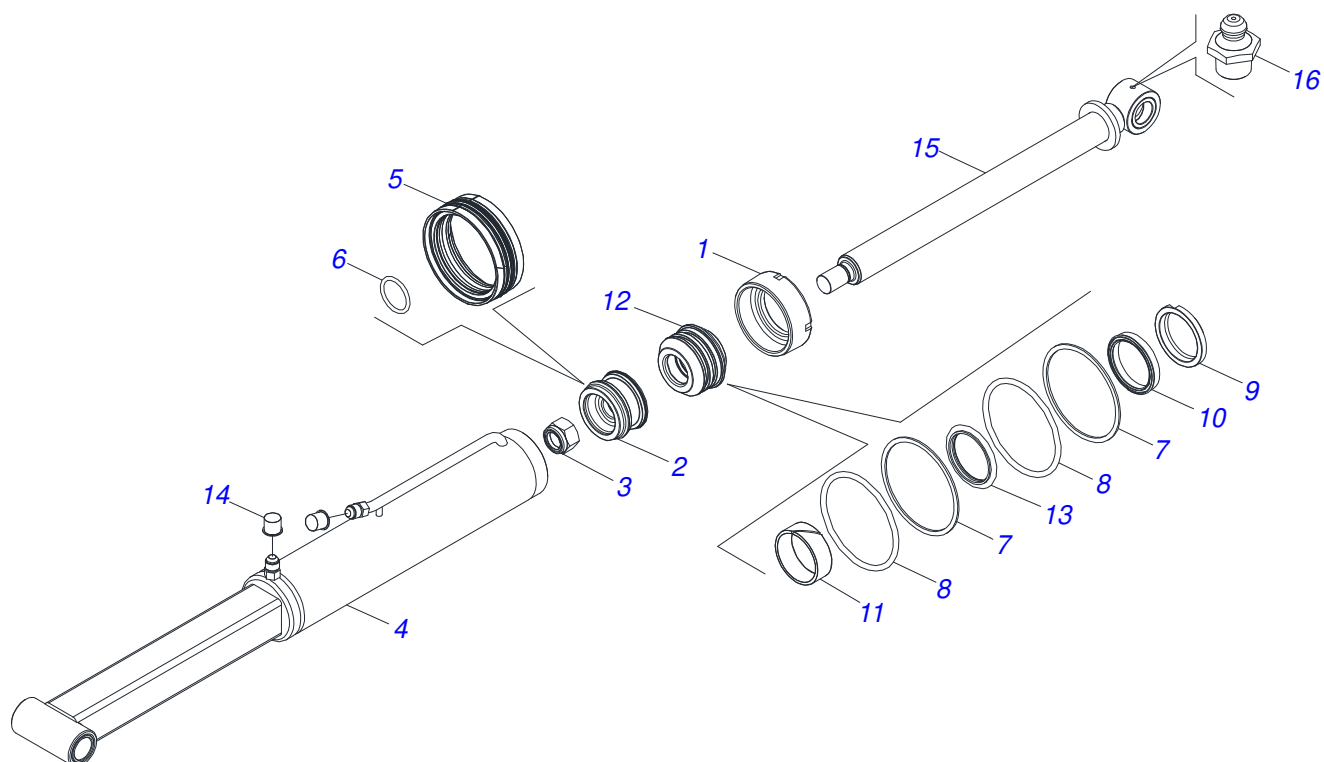
Item	Code	Description	See page	QT
01	0501010087	1.1/4" NUT		04
02	0541015018	ROD 1.1/4 NC X 1000		01



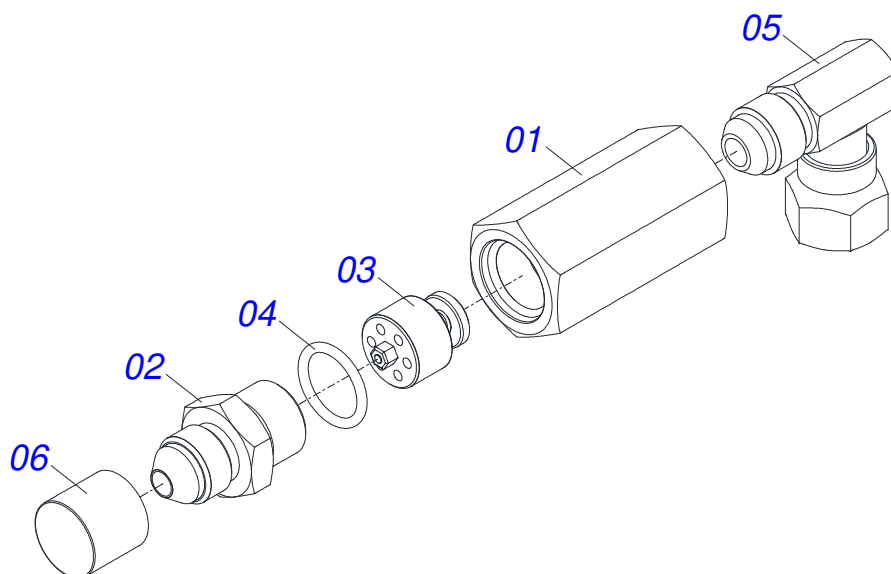
Item	Code	Description	See page	QT
01	0501010628	1.1/4" X 760 ROD		01
02	0501010087	1.1/4" NUT		04



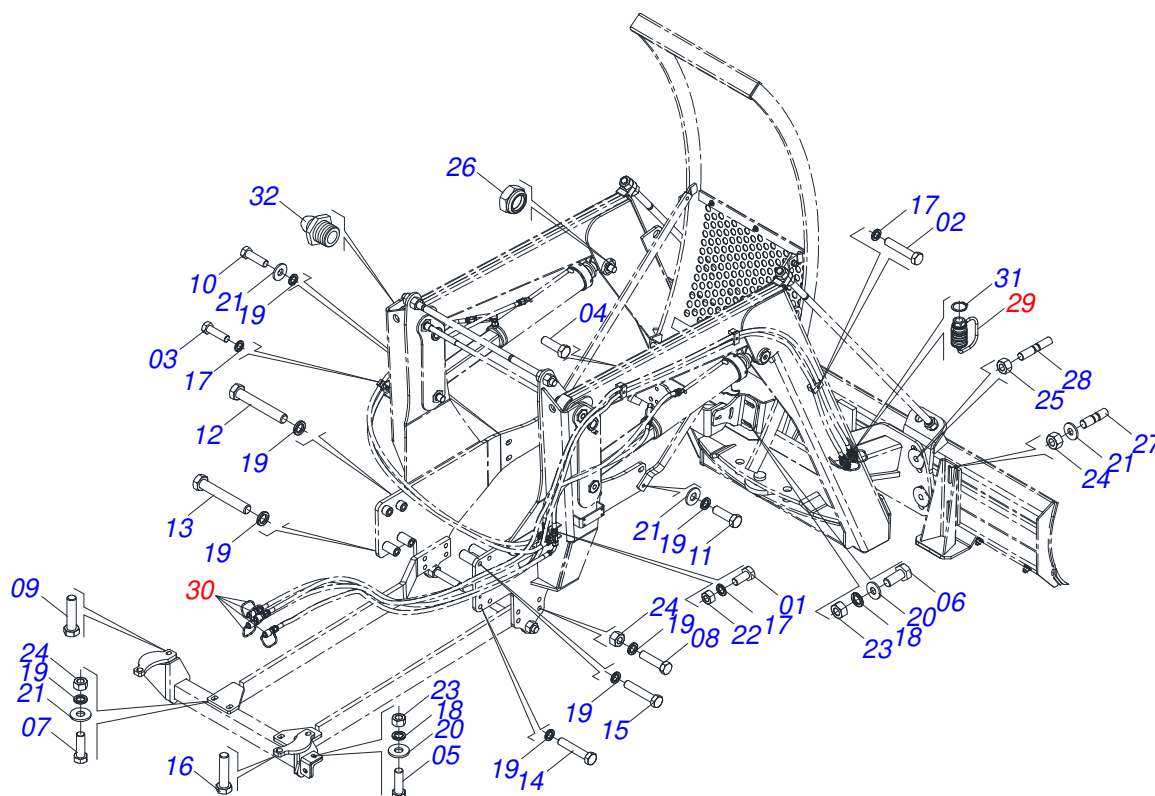
Item	Code	Description	See page	QT
01	0521051546	HYDRAULIC CYLINDER	11	02
02	0521064869	7/8UNF JIC OIL DISTRIBUTOR		01
03	0521051567	HOSE GAME		01
03A	0501080014	HOSE		01
03B	0501080103	1/2" X 47" TR-TR HOSE		01
03C	0501080267	HOSE 1/2 X 2100 TR-TC		01
03D	0501080618	1/2" X 2200 TR-TC HOSE		01
03E	0501081384	HOSE		02
03F	0501082022	HOSE 1/2 X 6200 TM-TM		02
04	0511057771	R.7/8UNF - SAFETY VALVE	12	02



Item	Code	Description	See page	QT
01	0502012822	101.60 END CAP		01
02	0502012842	50,80 X 101,60 PISTON		01
03	0503010817	1.1/4" SELF LOCKING NUT		01
04	0511071242	CYLINDER CASE		01
05	0503015633	SELEMASTER SEALING		01
06	0503018029	2-217 O-RING		01
07	0503011061	8-342 BACK-UP RING		02
08	0503010338	2-342 N 3006-9B O-RING		02
09	0503010039	D-2000 SCRAPER RING		01
10	0503018026	1870-2000-375 B GASKET		01
11	0503018025	RING GUIDE		01
12	0502012821	50.80 X 101.60 RING SUPPORT		01
13	0503018024	RING BS		01
14	0503030387	PLUG		02
15	0521068050	TURNBUCKLE		01
16	0503010002	1800 GREASE FITTING		01
17	0511032211	CYLINDER REPAIR KIT 50.80 X 101.60		



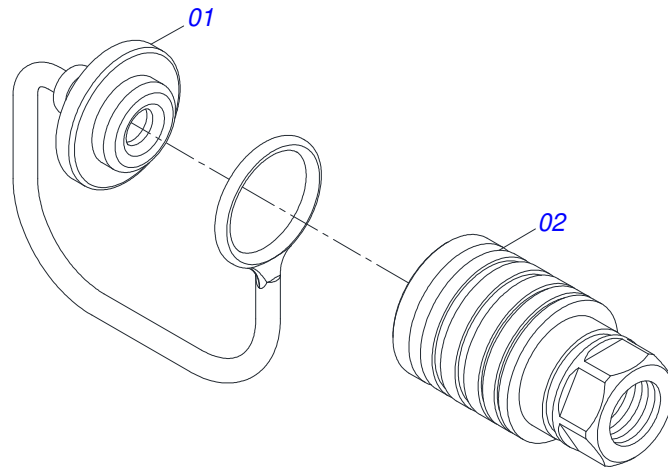
Item	Code	Description	See page	QT
01	0503018033	37 X R.7/8 UNF 90° JIC MALE CONNECTOR WITH ROTATING NUT		01
02	0581014053	1/2 BSP X 7/8 UNF JIC X 64 ADAPTER		01
03	0503016854	VALVE ASSY		01
04	0503010045	O'RING		01
05	0581014052	1/2 BSP X 7/8 UNF JIC X 43 NIPLE		01
06	0503030387	PLUG		01



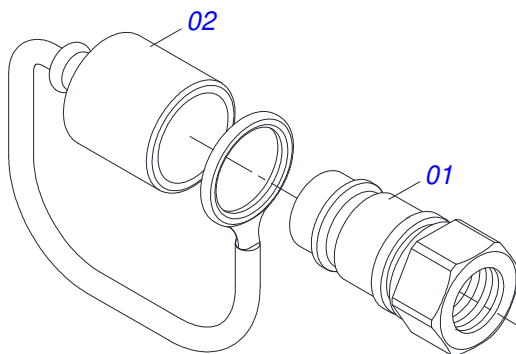
Item	Code	Description	See page	QT
01	0503011338	7/16" X 1" BOLT		01
02	0503011135	BOLT		03
03	0503011173	7/16" X 2" BOLT		01
04	0503010962	5/8" X 1-1/4" BOLT		02
05	0501010100	SCREW 5/8 UNC X 2 CS G.5 ZN		06
06	0503010899	5/8" X 2-1/4" BOLT		06
07	0501010125	3/4" X 2-1/2" BOLT		04
08	0501010500	3/4"X3"BOLT		12
09	0501010066	3/4" X 9" BOLT		02
10	0503013111	M20 X 2,5 X 65 BOLT		07
11	0503013112	M20 X 2,5 X 70 BOLT		01
12	0503013103	M20 X 2,5 X 90 BOLT		02
13	0503014928	M20 X 2,5 X 130 BOLT		02
14	0503013364	M20 X 2,5 X 150 BOLT		02
15	0503015049	M20 X 2,5 X 190 BOLT		02
16	0501010064	1" X 9" BOLT		02
17	0503010180	7/16" SPRING WASHER		05
18	0503010027	5/8" SPRING WASHER		14
19	0503010023	3/4" SPRING WASHER		32
20	0501012140	FLAT WASHER		18
21	0501010322	FLAT WASHER		14
22	0503010244	7/16" NUT		02
23	0503010013	5/8" NUT		12
24	0503010014	3/4" NUT		20
25	0501010059	1.5/8 NUT		04
26	0503010044	1-1/4" SELF LOCKING NUT		06
27	0561016756	3/4 UNC X 3/4 UNC X 56 PRISONER		04
28	0561016755	PRISONER 1 UNC X 1 UNC X 76 ZN		04
29	0501053835	FEMALE QUICK COUPLER	14	02
30	0501053834	MALE QUICK COUPLER WITH CAP - 1/2 NPT	15	04
31	0503010217	501040 CLAMPING RING (FOR AXLE)		04



Item	Code	Description	See page	QT
32	0503010002	1800 GREASE FITTING		06



Item	Code	Description	See page	QT
01	0503011883	QUICK CONNECTION COVER		01
02	0503011628	FEMALE QUICK COUPLER		01



Item	Code	Description	See page	QT
01	0503011627	MALE QUICK COUPLER AGR 1/2 NPT		01
02	0503011882	MALE QUICK COUPLER CAP		01



MARCHESAN

Technical Publications | Elaboration and Revision

LORENA ROCHA ALVES

www.marchesan.com.br

