

PD - FRONT LOADER

PD VALTRA A750/950 SHT CD

Code: 0501093085
Series: S-1014
Revision: 00
Date Revision: AGOSTO/2021

PARTS CATALOGUE



MARCHESAN



PRODUCTS

Code	Description
0106020406	PD VALTRA A750/950 SHT CD

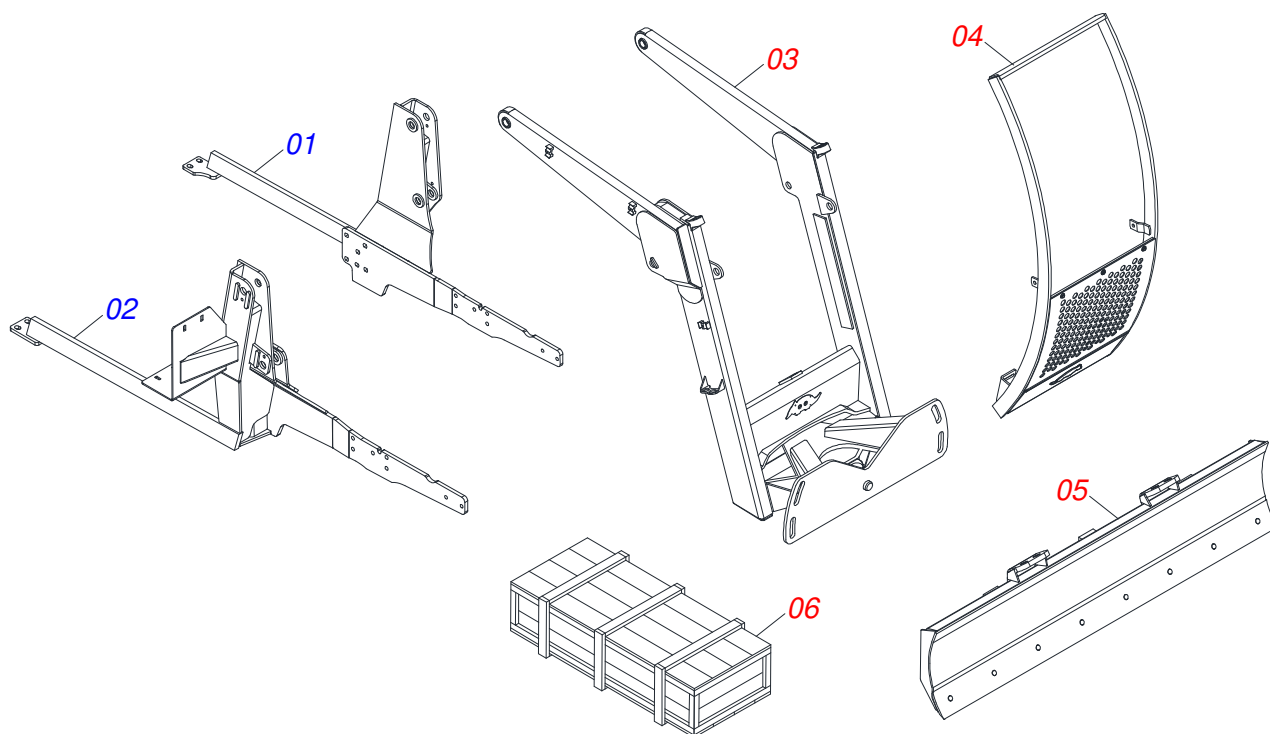
ATTENTION: IMPORTANT

Marchesan S.A. reserves the right to improve and / or modify the technical features of its products, without obligation to do the same with those products already sold and without prior knowledge of the dealer or the consumer.

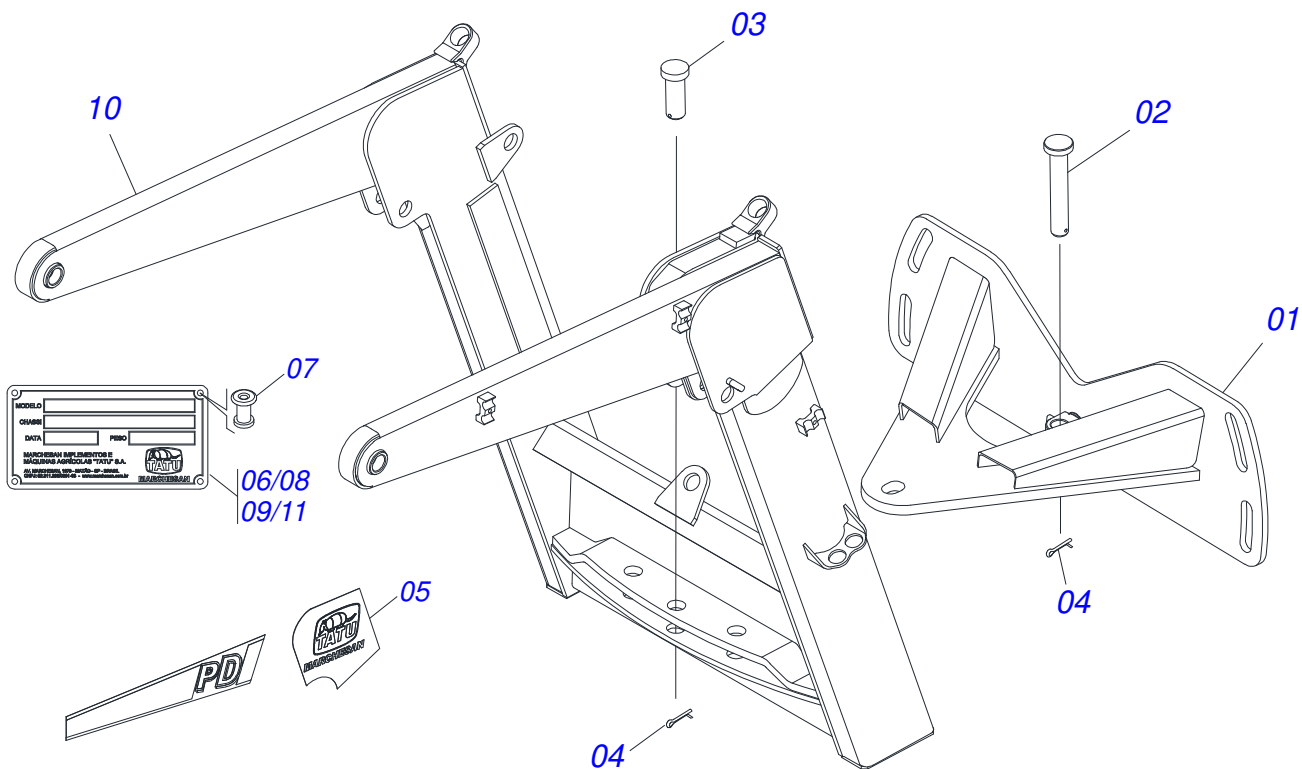


INDEX

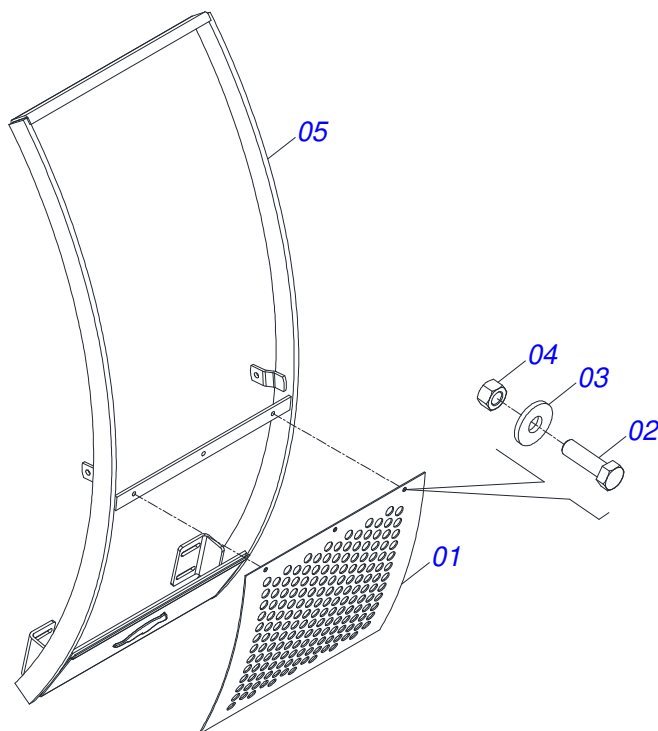
0106020406	PD VALTRA A750/950 SHT CD	1
0511049953	MOBILE FULL SUPPORT	2
0511049956	MOBILE SUPPORT GUIDE ASSY	3
0501047708	2400 BLADE SUPPORT	4
0521021346	BOX WITH COMPONENTS	5
0501047575	OIL RESERVOIR ASSY	6
0511051801	TANK COVER EXTENSION	7
0909095973	HYDRAULIC CIRCUIT	8
0511058454	HYDRAULIC CYLINDER	9
0511057771	R.7/8UNF - SAFETY VALVE	10
0521045277	40L PUMP WITH PIPES	11
0501041108	RETURNING FILTER ASSY	12
0521045297	DOUBLE COMMAND WALVOIL	13
0501041427	1.1/4" NC X 1540 ASSY ROD	14
0511031642	PACKAGED PARTS	15



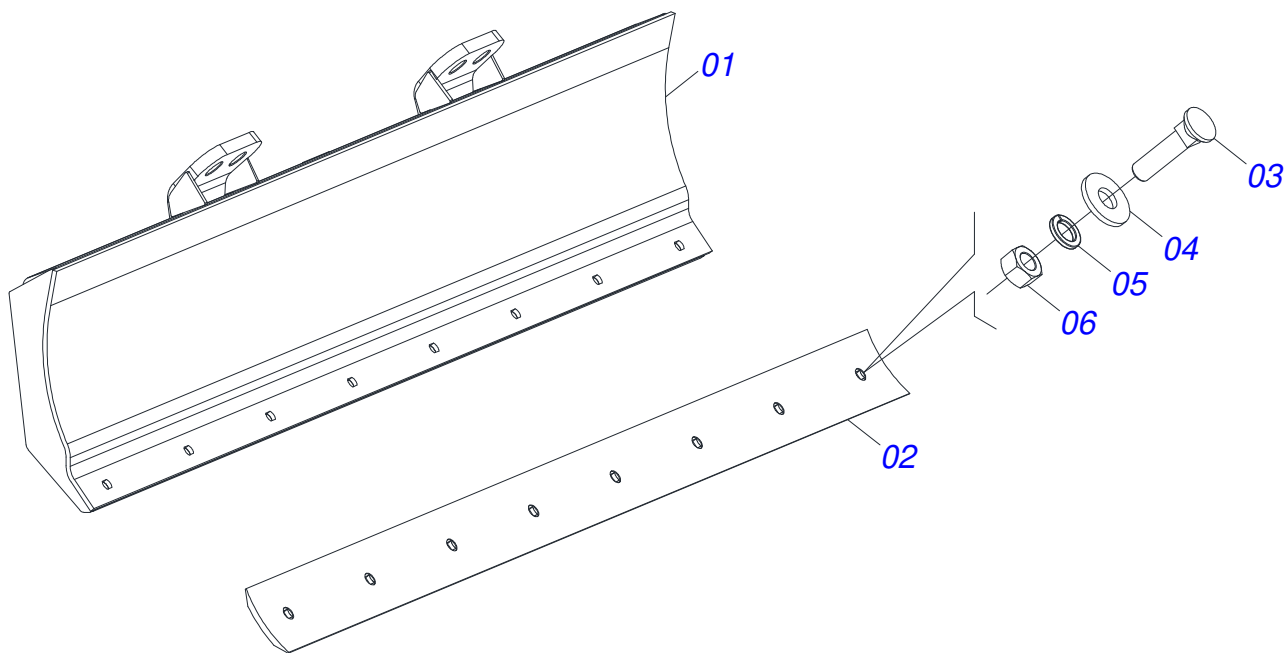
Item	Code	Description	See page	QT
01	0521063599	LEFT FRAME		01
02	0521065681	RIGHT FRAME		01
03	0511049953	MOBILE FULL SUPPORT	2	01
04	0511049956	MOBILE SUPPORT GUIDE ASSY	3	01
05	0501047708	2400 BLADE SUPPORT	4	01
06	0521021346	BOX WITH COMPONENTS	5	01



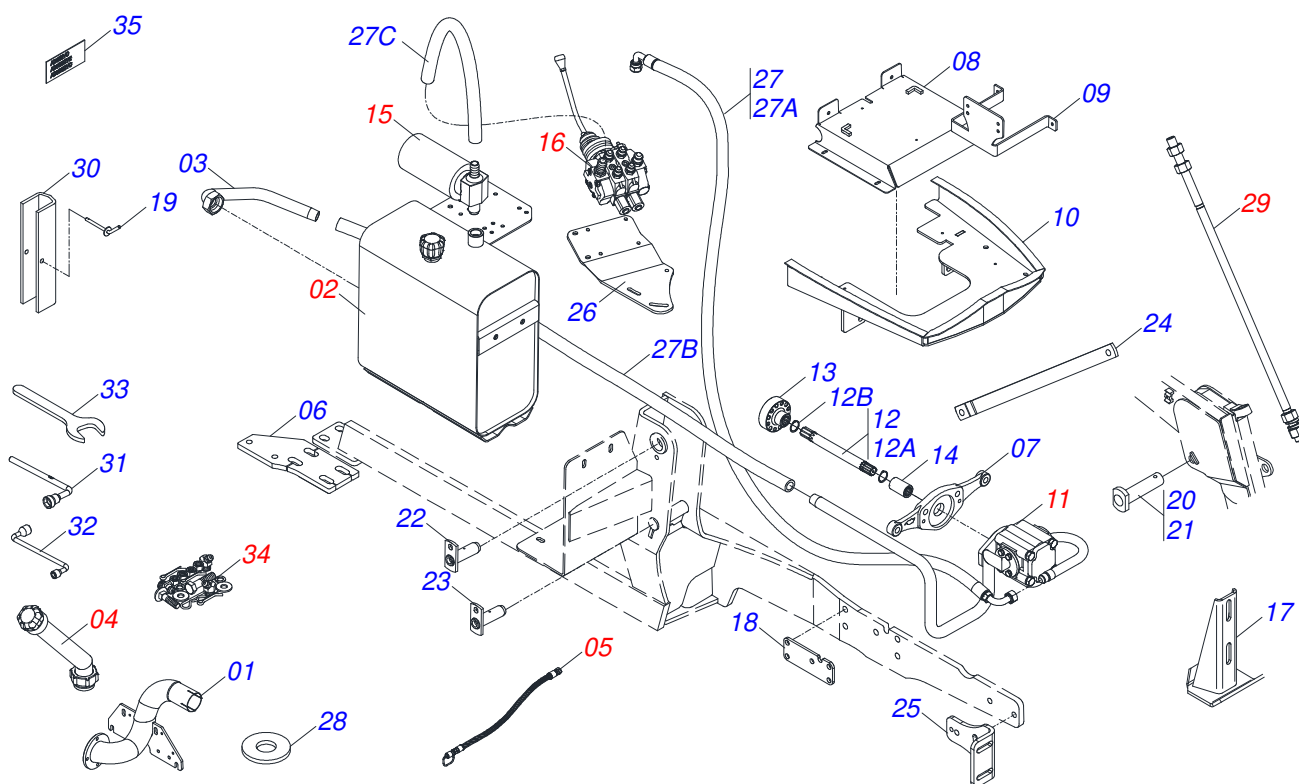
Item	Code	Description	See page	QT
01	0501062637	5/8" REGULATOR SUPPORT		01
02	0521010618	1.4" X 8.6" COUPLING SHAFT		01
03	0521010612	1.4" X 3.5" COUPLING SHAFT		01
04	0503010010	1/4" X 2.1/2" COTTERPIN		02
05	0503062270	SET LABEL ADHESIVE		01
06	0503034003	SERIAL NUMBER TAG 61 X 118		01
07	0503010001	3.2 X 5.5 RIVET		04
08	0503031428	READ MANUAL DECAL		01
09	0503031827	LUBRICATE AND RETIGHTEN DAILY DECAL		01
10	0521062701	MOBILE SUPPORT		01
11	0503034078	LIFTING POINTS DECAL		03



Item	Code	Description	See page	QT
01	0501017431	FRONT PROTECTION		01
02	0503010751	C3/8" X 1.1/4" HEX BOLT G.5		03
03	0501010984	FLAT WASHER		03
04	0503010026	3/8" NUT		03
05	0521062696	GUIDE SUPPORT MOBILE		01



Item	Code	Description	See page	QT
01	0501067999	2390 BLADE SUPPORT		01
02	0622360016	94.5" SCRAPER REVERSIBLE		01
03	0501012240	BOLT		08
04	0501012140	FLAT WASHER		08
05	0503011445	SPRING WASHER		08
06	0503010013	5/8" NUT		08

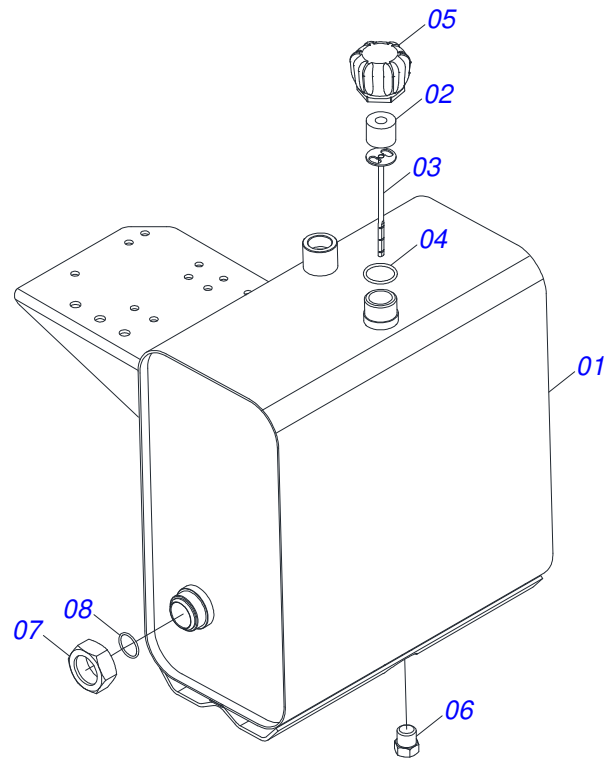


Item	Code	Description	See page	QT
01	0521065911	EXHAUST SUPPLEMENT		01
02	0501047575	OIL RESERVOIR ASSY	6	01
03	0501066854	TANK OUTER TUBE		01
04	0511051801	TANK COVER EXTENSION	7	01
05	0909095973	HYDRAULIC CIRCUIT	8	01
06	0571012309	DIFFERENTIAL SUPPORT		02
07	0502010097	PUMP SUPPORT		01
08	0521065612	BATTERY HOLDER		01
09	0571017962	FILTER HOLDER		01
10	0521065610	FRONT COVER		01
11	0521045277	40L PUMP WITH PIPES	11	01
12	0521054138	290 X 1.1/8 SHAFT WITH LOCKING RING		01
12A	0521065607	290 X 1.1/8 STRIATED SHAFT		01
12B	0503010174	501028 CLAMPING RING (FOR AXLE)		02
13	0501067327	COUPLING FLANGE		01
14	0503030838	1-1/8" X 2.4" SLEEVE		01
15	0501041108	RETURNING FILTER ASSY	12	01
16	0521045297	DOUBLE COMMAND WALVOIL	13	01
17	0501063411	ESTABILIZER BRACKET		02
18	0571017227	CHASSIS SHIM		02
19	0501068994	0.3" X 3.1" LOCK PIN		02
20	0521063358	37,20 X 161 JOINT AXIS		01
21	0521063354	COUPLING SHAFT		01
22	0501063751	1.5" X 5.5" PIVOT SHAFT		02
23	0501063960	37,2 X 130 PIVOT SHAFT LOCK		02
24	0571010018	FRENCH HAND		02
25	0571010158	FIXER GUIDE MOBILE SUPPORT		02
26	0571018030	EXTENSION OF THE CONTROL BRACKET		01
27	0511056869	HOSE KIT		01
27A	0501080892	3/4 X 2500 TC-TC HOSE		01
27B	0501013424	1.1/4 X 1200 AB-AB HOSE		01

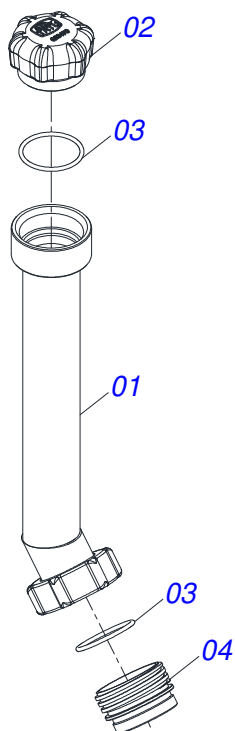


PD VALTRA A750/950 SHT CD
BOX WITH COMPONENTS

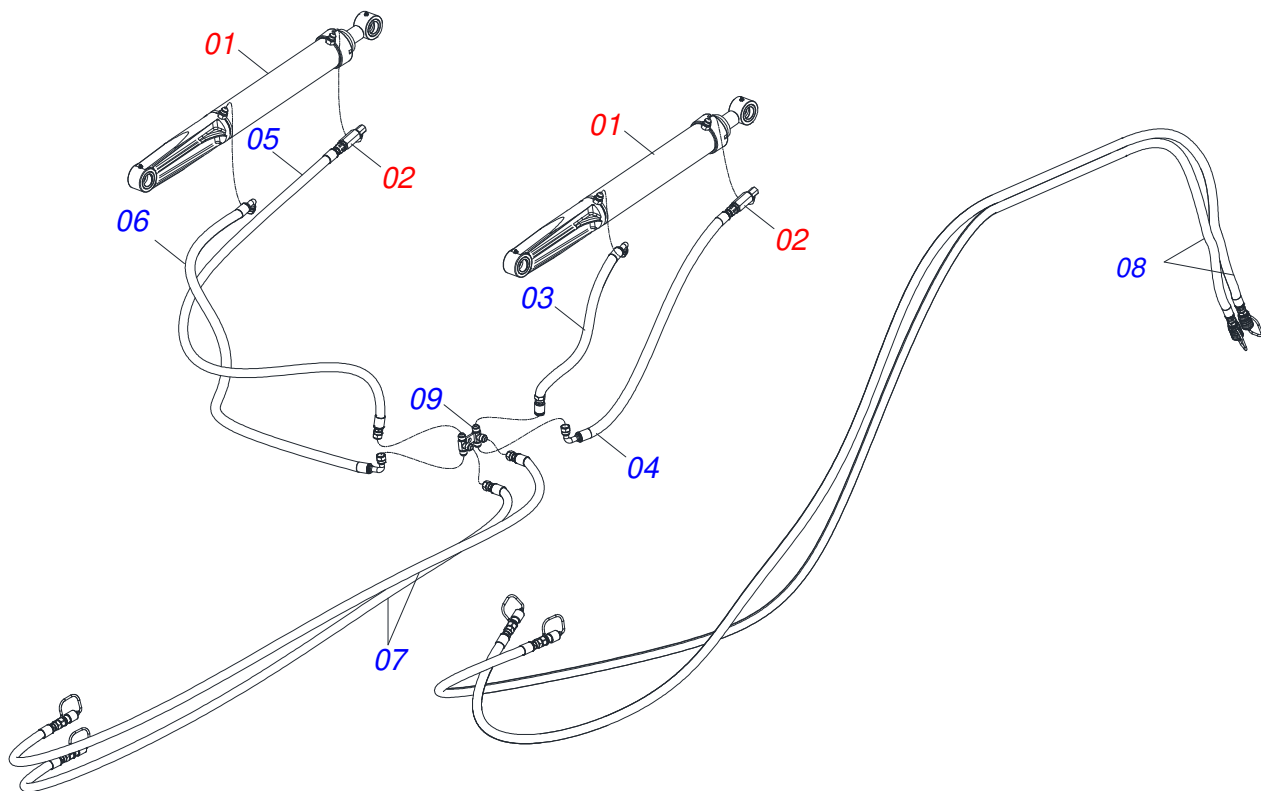
Item	Code	Description	See page	QT
27C	0501010596	1" X 750 AB-AB HOSE		01
28	0501010574	FLAT WASHER		04
29	0501041427	1.1/4" NC X 1540 ASSY ROD	14	02
30	0531017238	LOCK TRANSPORT		02
31	0501061617	1" GANG BOLT WRENCH		01
32	0501068213	5/8" WRENCH DOUBLE		01
33	0511010153	2-5/16" FIXED WRENCH		01
34	0511031642	PACKAGED PARTS	15	01
35	0503030770	ADHESIVE LABEL		01



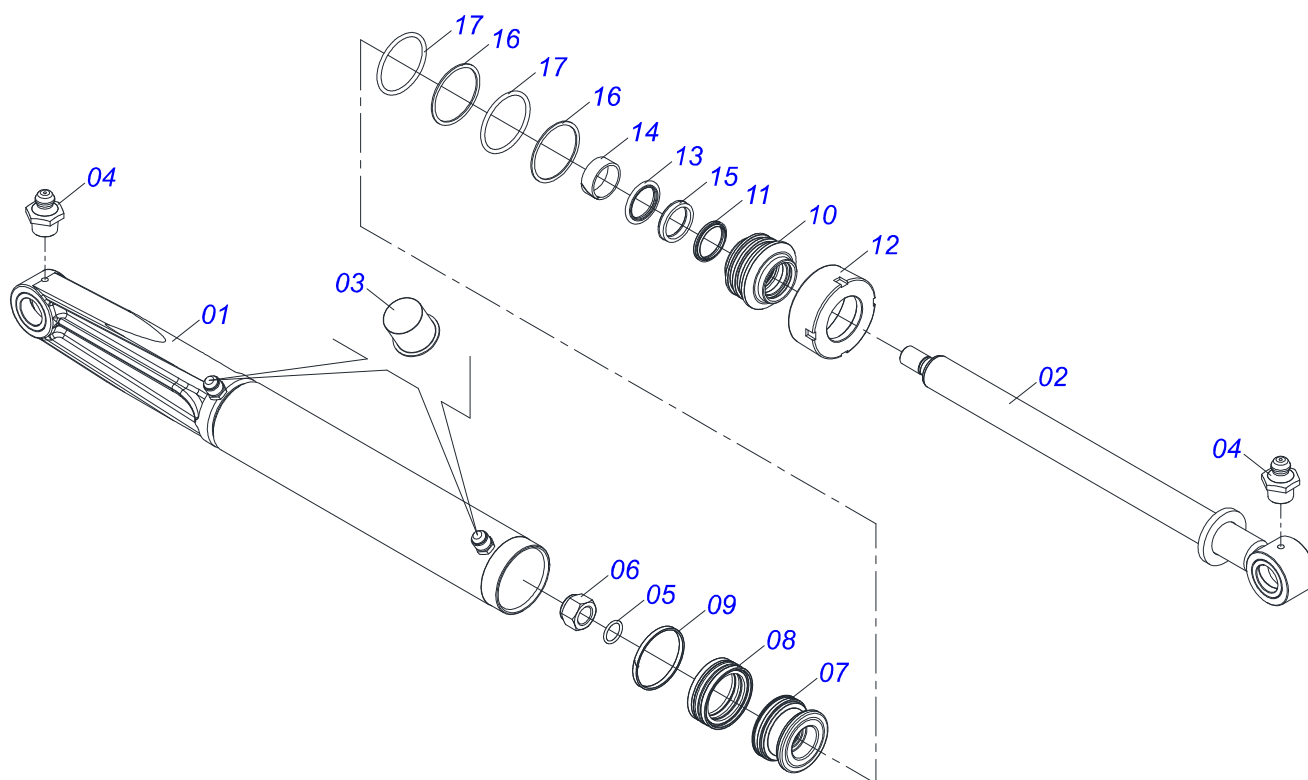
Item	Code	Description	See page	QT
01	0501068685	OIL RESERVOIR		01
02	0503030044	FILTERING ELEMENT		01
03	0501060975	OIL GAGE		01
04	0503010185	2-221 N 3006-9B O'RING		01
05	0502020472	FRONTAL COVER		01
06	0503031604	1/2" BSP PLUG		01
07	0501016309	2" 1X 2.5/16" NUT		01
08	0503010046	2-216 N 3006-9B O'RING		01



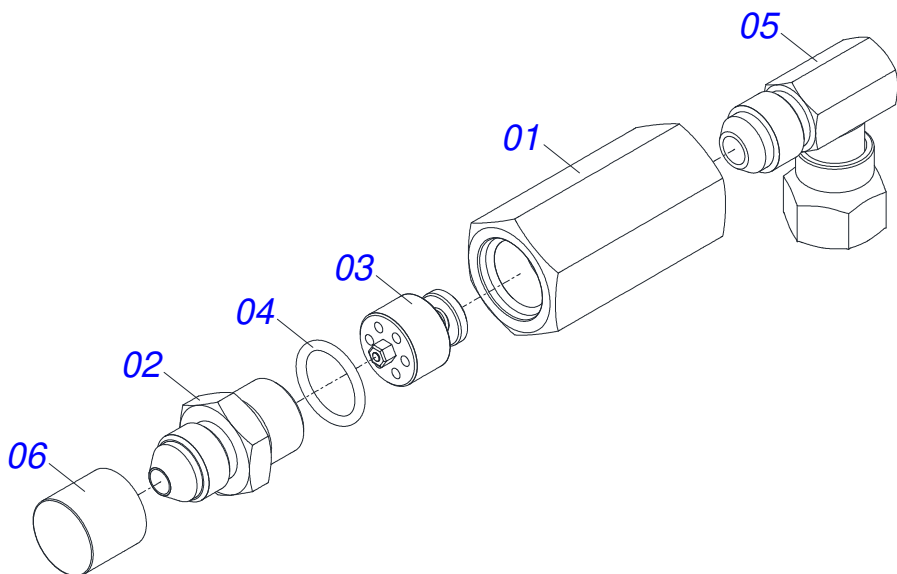
Item	Code	Description	See page	QT
01	0521061568	TANK MOUTH EXTENSION		01
02	0502020549	TANK COVER		01
03	0503010141	2-226 N 3006-9B O'RING		02
04	0511011777	EXTENDER		01



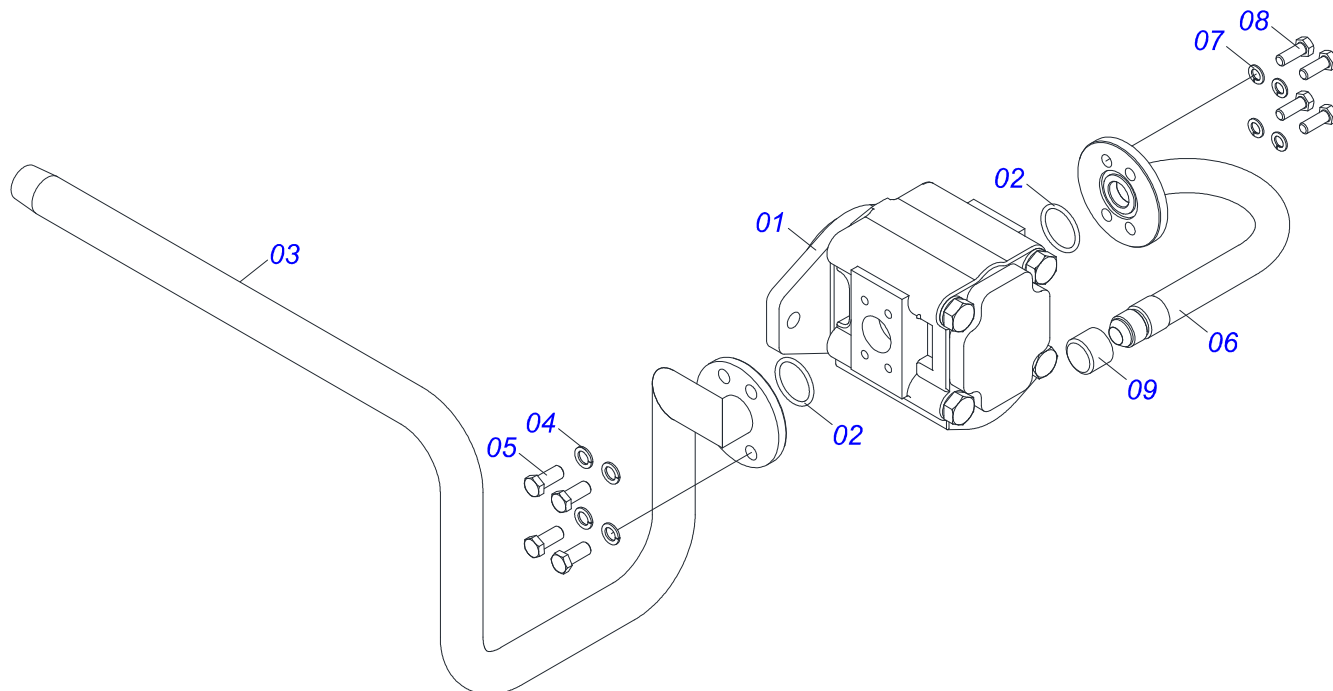
Item	Code	Description	See page	QT
01	0511058454	HYDRAULIC CYLINDER	9	02
02	0511057771	R.7/8UNF - SAFETY VALVE	10	02
03	0501080059	1/2" X 61" TR-TC HOSE ASSY		01
04	0501081638	1/2 X 1050 TC-TR HOSE		01
05	0501080941	1/2 X 1800 TC-TR HOSE		01
06	0501080827	1/2" X 90.55" TR-TR HOSE		01
07	0501080058	HOSE 1/2 X 1400 TR-TC		02
08	0501081384	HOSE		02
09	0521064869	7/8UNF JIC OIL DISTRIBUTOR		01



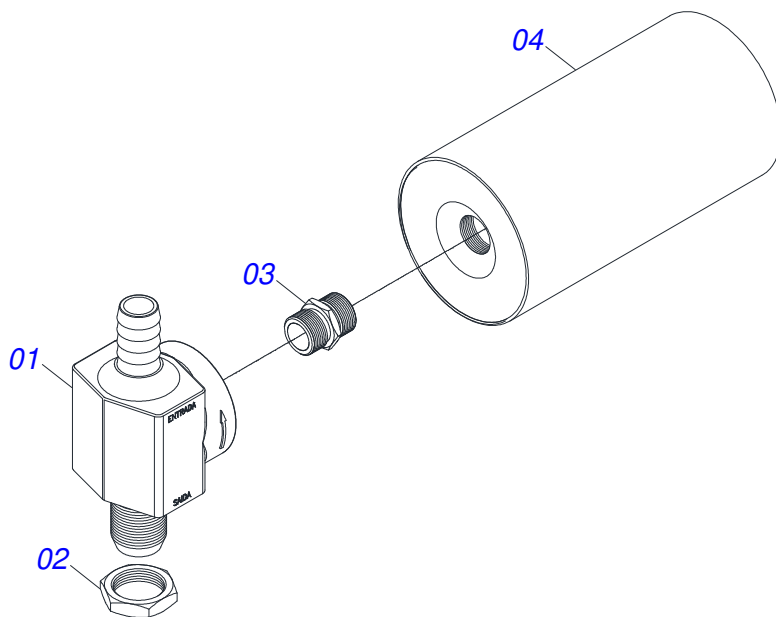
Item	Code	Description	See page	QT
01	0521062692	Ø85,72 X 510 7/8" CYLINDER - PD VTR A950		01
02	0501068208	44,45 X 670 TURNBUCKLE		01
03	0503030387	PLUG		02
04	0503010002	1800 GREASE FITTING		02
05	0503010042	2-214 N 3006-9B O'RING		01
06	0503010063	1" SELF-ALIGNING NUT		01
07	0571019710	1.7" X 3.4" PISTON		01
08	0503017935	RING		01
09	0503018144	RING		01
10	0571019711	RING SUPPORT		01
11	0503010761	D-1750 SCRAPER RING		01
12	0571019709	DETACHABLE COVER		01
13	0503017936	RING		01
14	0503017938	RING GUIDE		01
15	0503017937	GASKET		01
16	0503017940	8-337 BACK-UP RING		02
17	0503017939	2-337 N 3006-9B O' RING		02



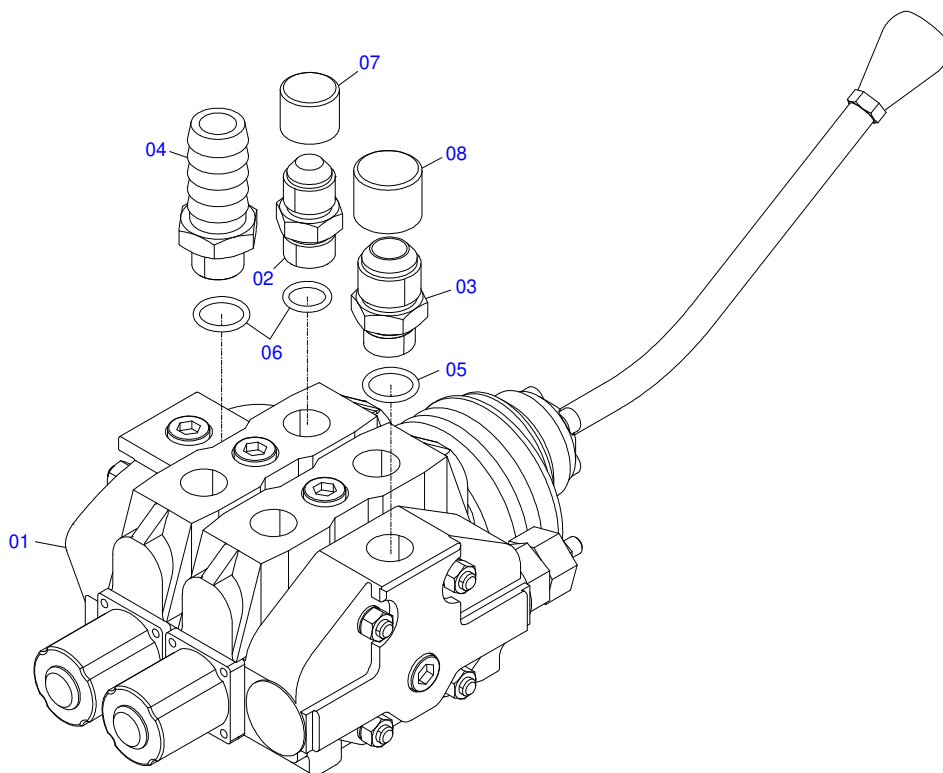
Item	Code	Description	See page	QT
01	0503018033	37 X R.7/8 UNF 90° JIC MALE CONNECTOR WITH ROTATING NUT		01
02	0581014053	1/2 BSP X 7/8 UNF JIC X 64 ADAPTER		01
03	0503016854	VALVE ASSY		01
04	0503010045	O'RING		01
05	0581014052	1/2 BSP X 7/8 UNF JIC X 43 NIPLE		01
06	0503030387	PLUG		01



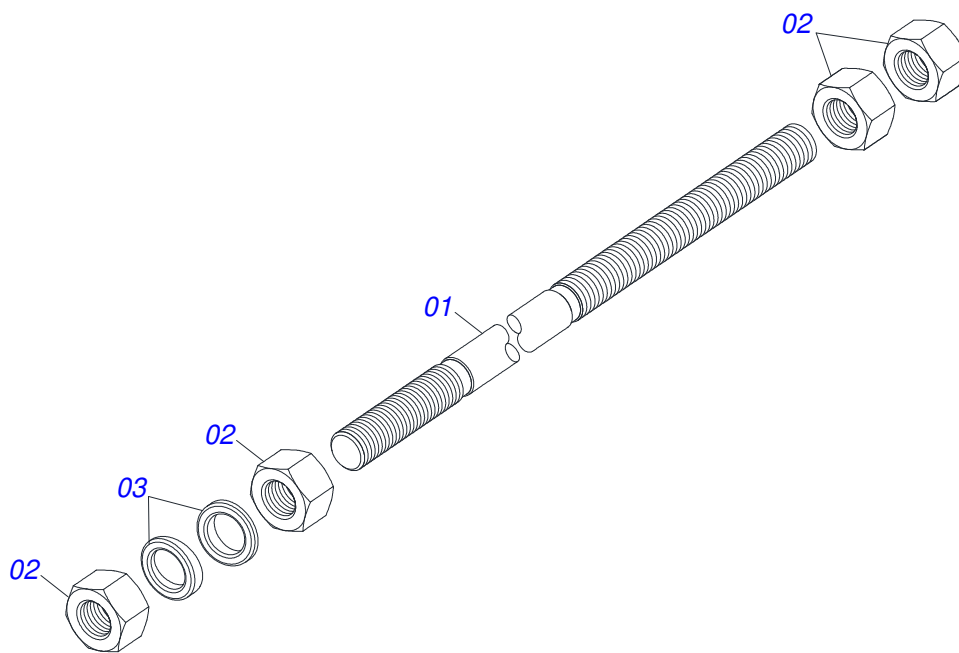
Item	Code	Description	See page	QT
01	0503060153	40L 1/2" PUMP		01
02	0503010173	2-220 N 3006-9B O'RING		02
03	0521065608	SUCTION DUCT PCA VTR A750/A950		01
04	0503010180	7/16" SPRING WASHER		04
05	0503010355	7/16" X 1" BOLT		04
06	0521065615	PUMP PRESSURE LINE CA VTR A750/950		01
07	0503010025	3/8" SPRING WASHER		04
08	0503011087	3/8" X 1" BOLT		04
09	0503030388	PLUG N-005		01



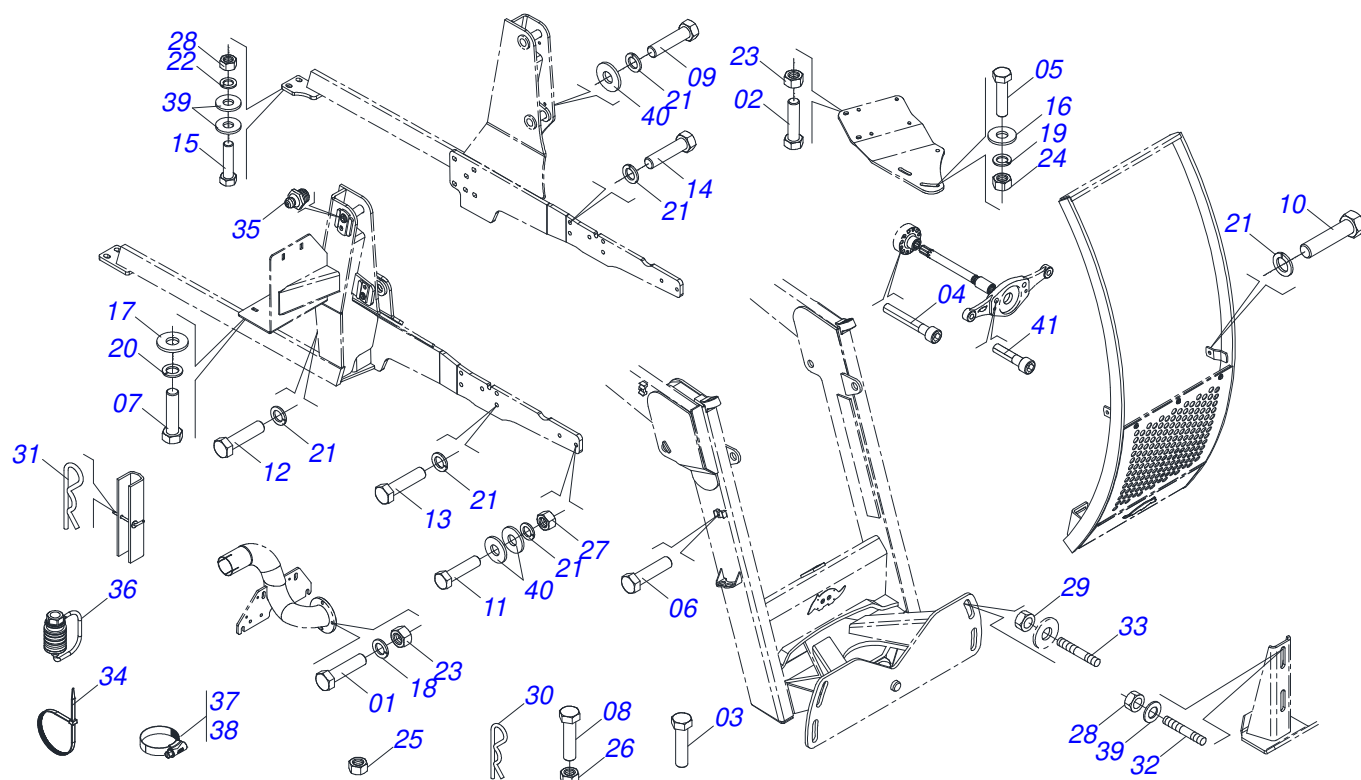
Item	Code	Description	See page	QT
01	0502050002	RETURNING FILTER HEAD		01
02	0501010594	1" NUT		01
03	0501010595	1" NF NIPPLE		01
04	0503010183	RETURNING FILTER		01



Item	Code	Description	See page	QT
01	0503062350	406281 DOUBLE COMMAND WALVOIL		01
02	0501010590	NIPPLE		04
03	0551011253	R1.1/16 JICX7/8 SAE S1.1/8X50 NIPPLE		01
04	0501011806	1" HOSE NIPPLE		01
05	0503010045	O'RING		03
06	0503010190	2-114 N 3006-9B O'RING		04
07	0503030385	CYLINDER PLUG N-002		04
08	0503030387	PLUG		03



Item	Code	Description	See page	QT
01	0501014250	1.1/4" X 1540 ROD		01
02	0501010087	1.1/4" NUT		04
03	0502012180	CONICAL SPRING WASHER		02



Item	Code	Description	See page	QT
01	0503010365	NUT		04
02	0503015106	5/16 UNF X 3/4 C S G.5 ZN BOLT		04
03	0503014472	M8X1,25X20 CS 8.8 1K19780 ZN BOLT		04
04	0503011313	M 8 X 1,25 X 50 BOLT		06
05	0503010751	C3/8" X 1.1/4" HEX BOLT G.5		03
06	0503012555	SCREW 7/16 UNC X 2 CS RT G.7 ZN		03
07	0501010161	1/2" X 1.1/4" BOLT		05
08	0503010920	1/2" X 1.1/2" BOLT		02
09	0503010962	5/8" X 1-1/4" BOLT		06
10	0501010100	SCREW 5/8 UNC X 2 CS G.5 ZN		04
11	0503011067	5/8" X 2-1/2" BOLT		04
12	0503011188	M16 X 2 X 50 BOLT		12
13	0503012573	M16 X 2 X 65 BOLT		08
14	0503012833	M16 X 2 X 90 BOLT		04
15	0501010500	3/4"X3"BOLT		04
16	0501010984	FLAT WASHER		03
17	0511017302	FLAT WASHER		04
18	0503010179	5/16" ZN SPRING WASHER		04
19	0503010025	3/8" SPRING WASHER		03
20	0503010019	1/2" SPRING WASHER		07
21	0503010027	5/8" SPRING WASHER		16
22	0503010023	3/4" SPRING WASHER		04
23	0503010337	5/16" NUT		04
24	0503010026	3/8" NUT		03
25	0503012254	M12 X 0.7" NUT		01
26	0503010060	1/2" NUT		01
27	0503010013	5/8" NUT		10
28	0503010014	3/4" NUT		08
29	0501010059	1.5/8 NUT		04
30	0503030012	HAIR PIN		02
31	0503030168	HAIR PIN		02



PACKAGED PARTS

0511031642

Item	Code	Description	See page	QT
32	0561016756	3/4 UNC X 3/4 UNC X 56 PRISONER		04
33	0561016755	PRISONER 1 UNC X 1 UNC X 76 ZN		04
34	0503016022	T-120 L CRAMP NYLON		06
35	0503010002	1800 GREASE FITTING		10
36	0501053835	FEMALE QUICK COUPLER		02
37	0503010184	CLAMP		02
38	0503010243	CLAMP		02
39	0501010322	FLAT WASHER		12
40	0501012140	FLAT WASHER		24
41	0503010728	M10 X 1.2" BOLT		02



MARCHESAN

Technical Publications | Elaboration and Revision

LORENA ROCHA ALVES

www.marchesan.com.br

