

PD - FRONT LOADER

PD MF 4280/4283/4290/4292XTRA BT SC

Code: 0501093084
Series: S-0120
Revision: 00
Date Revision: AGOSTO/2021

PARTS CATALOGUE



MARCHESAN



PRODUCTS

Code	Description
0106030246	PD MF 4280/4283/4290/4292XTRA BT SC

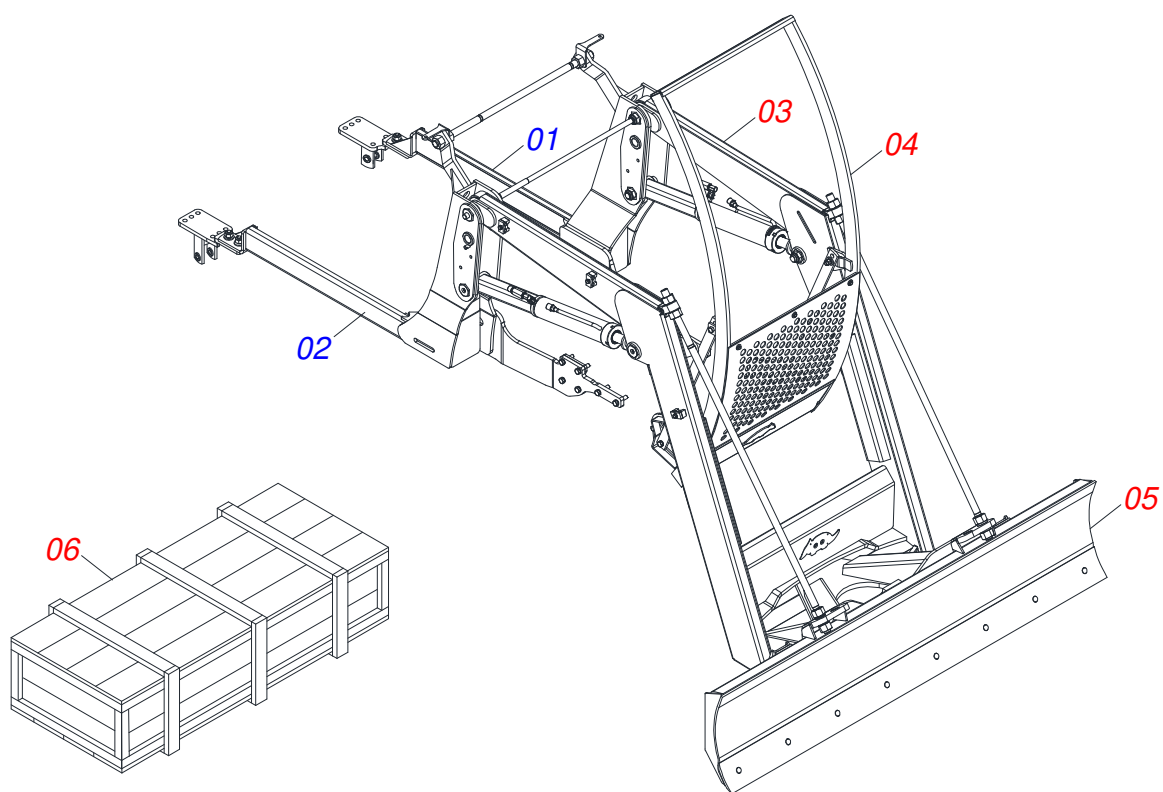
ATTENTION: IMPORTANT

Marchesan S.A. reserves the right to improve and / or modify the technical features of its products, without obligation to do the same with those products already sold and without prior knowledge of the dealer or the consumer.

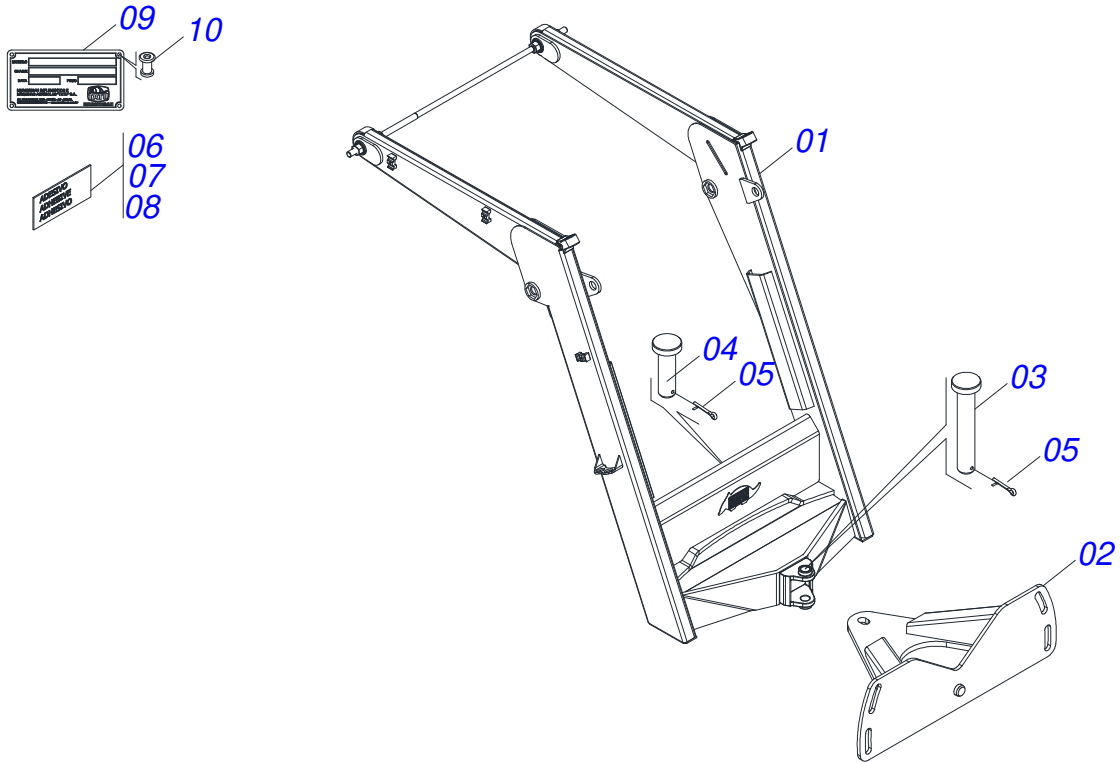


INDEX

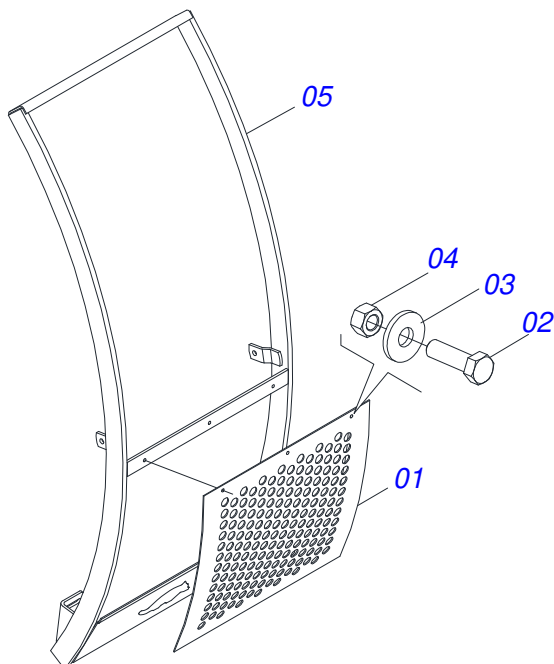
0106030246	PD MF 4280/4283/4290/4292XTRA BT SC	1
0521049957	MOBILE SUPPORT ASSY	2
0501048330	MOBILE SUPPORT GUIDE ASSY	3
0511047750	2400 SCRAPER ASSY WITH STABILIZER BRACKET	4
0521026103	BOX WITH COMPONENTS	5
0511043351	1.1/4" X 40" ROD	6
0521047923	ROD	7
0909095965	HYDRAULIC CIRCUIT	8
0521049955	HIDRAULIC CYLINDER	9
0521049956	HIDRAULIC CYLINDER	10
0511057771	R.7/8UNF - SAFETY VALVE	11
0511033761	PACKED PARTS	12
0501053835	FEMALE QUICK COUPLER	13
0501053834	MALE QUICK COUPLER WITH CAP - 1/2 NPT	14



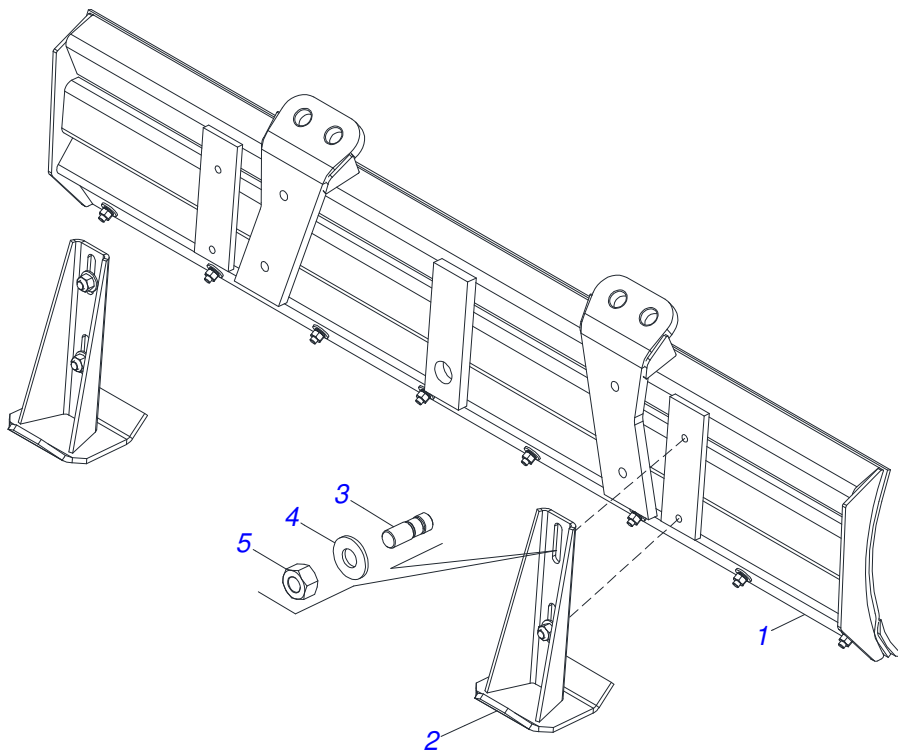
Item	Code	Description	See page	QT
01	0531060822	LEFT CHASSIS		01
02	0531060821	RIGHT CHASSIS		01
03	0521049957	MOBILE SUPPORT ASSY	2	01
04	0501048330	MOBILE SUPPORT GUIDE ASSY	3	01
05	0511047750	2400 SCRAPER ASSY WITH STABILIZER BRACKET	4	01
06	0521026103	BOX WITH COMPONENTS	5	01



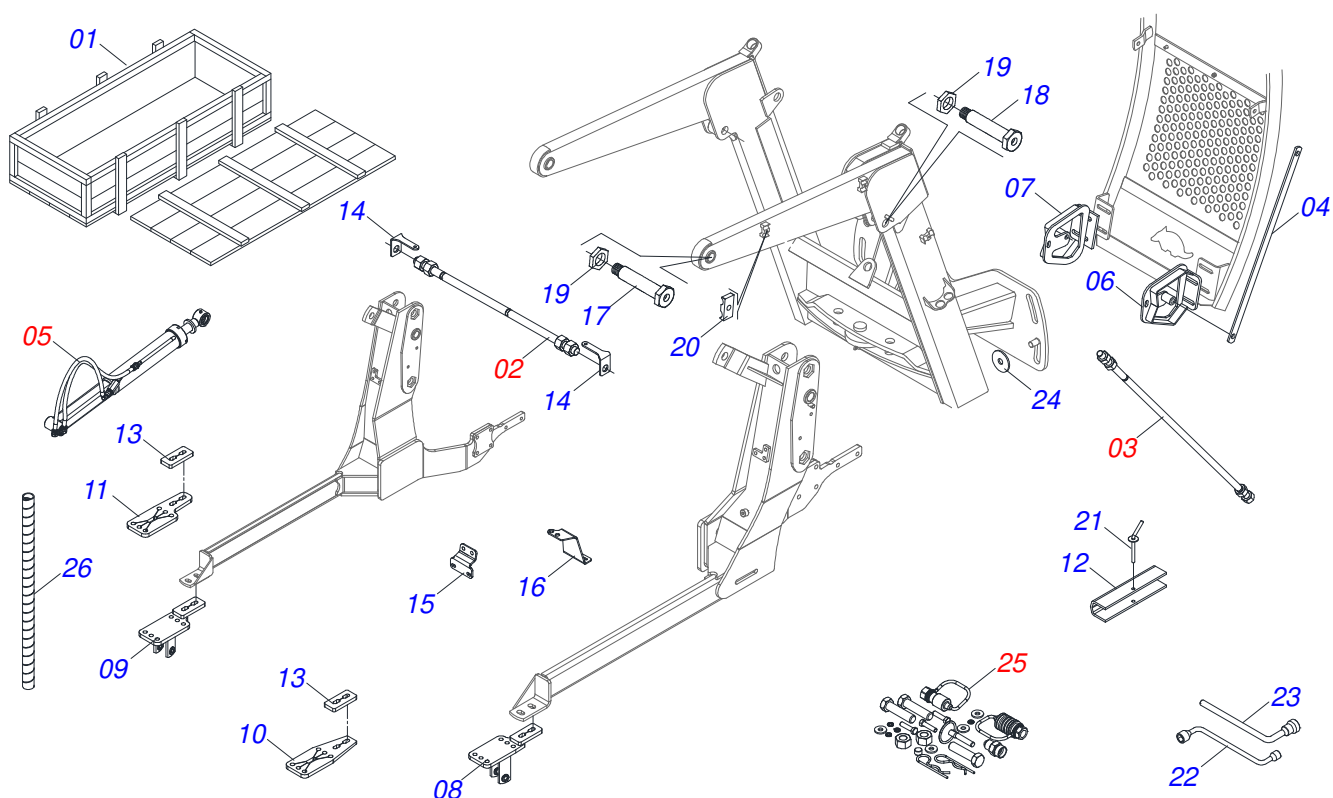
Item	Code	Description	See page	QT
01	0531060773	MOBILE SUPPORT		01
02	0501062637	5/8" REGULATOR SUPPORT		01
03	0521010618	1.4" X 8.6" COUPLING SHAFT		01
04	0521010612	1.4" X 3.5" COUPLING SHAFT		01
05	0503010010	1/4" X 2.1/2" COTTERPIN		02
06	0503062270	SET LABEL ADHESIVE		01
07	0503034078	LIFTING POINTS DECAL		01
08	0503031087	ADHESIVE LABEL		01
09	0503034003	SERIAL NUMBER TAG 61 X 118		01
10	0503010001	3.2 X 5.5 RIVET		04



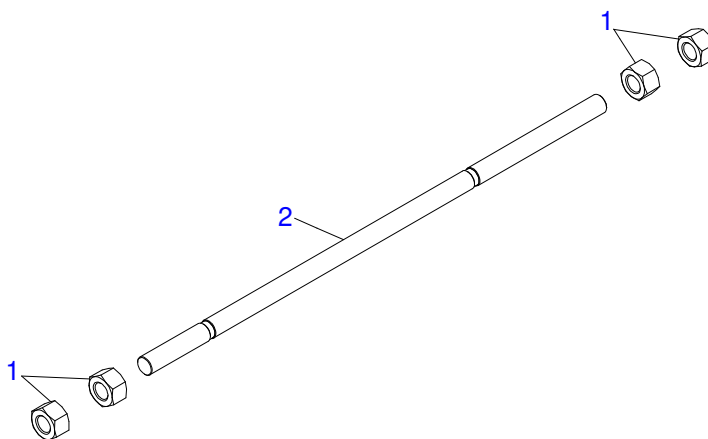
Item	Code	Description	See page	QT
01	0501014686	FRONT PROTECTION		01
02	0503010751	C3/8" X 1.1/4" HEX BOLT G.5		03
03	0501010984	FLAT WASHER		03
04	0503010026	3/8" NUT		03
05	0511061998	MOBILE SUPPORT GUIDE		01



Item	Code	Description	See page	QT
01	0501047708	2400 BLADE SUPPORT		01
02	0501063411	ESTABILIZER BRACKET		02
03	0561016756	3/4 UNC X 3/4 UNC X 56 PRISONER		04
04	0501010322	FLAT WASHER		04
05	0503010014	3/4" NUT		04

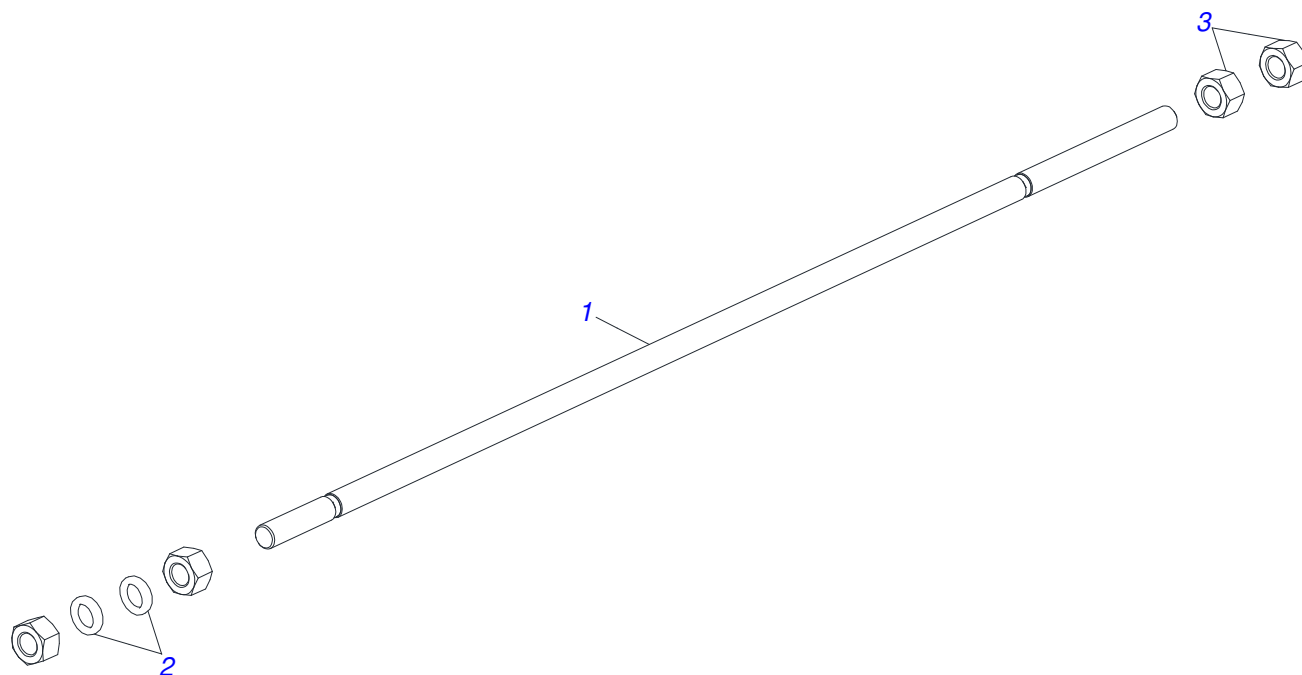


Item	Code	Description	See page	QT
01	0501100007	BOX WOOD 2150X400X440		01
02	0511043351	1.1/4" X 40" ROD	6	01
03	0521047923	ROD	7	02
04	0521063340	ANGULAR SUPPORT WITH SLEEVE		02
05	0909095965	HYDRAULIC CIRCUIT	8	01
06	0521061643	MOBILE SUPPORT RIGHT GUIDE		01
07	0521061644	LEFT GUIDE MOVEL SUPPORT		01
08	0531061202	DIFFERENTIAL RIGHT SHOE		01
09	0521063770	LEFT BRACKET		01
10	0561016408	FRAME BRACKET		01
11	0571013046	BRACKET		01
12	0531017238	LOCK TRANSPORT		02
13	0571013073	SMALL BODY DIFFUSER SHOES		02
14	0561010051	HEADLIGHT SUPPORT		02
15	0591013526	DIESEL OIL FILTER SUPPORT		01
16	0561016418	SUPPORT TANK OIL		01
17	0581013410	1.1/4" UNF X 155 BOLT		04
18	0581013378	GREASE SCREW		02
19	0581010243	WASHER HEX		06
20	1902010477	UPPER CLAMP BODY		03
21	0501068994	0.3" X 3.1" LOCK PIN		02
22	0501068213	5/8" WRENCH DOUBLE		01
23	0501061617	1" GANG BOLT WRENCH		01
24	0501010574	FLAT WASHER		04
25	0511033761	PACKED PARTS	12	01
26	0581010090	SPRING PROTECTION PLASTIC HOSE		02

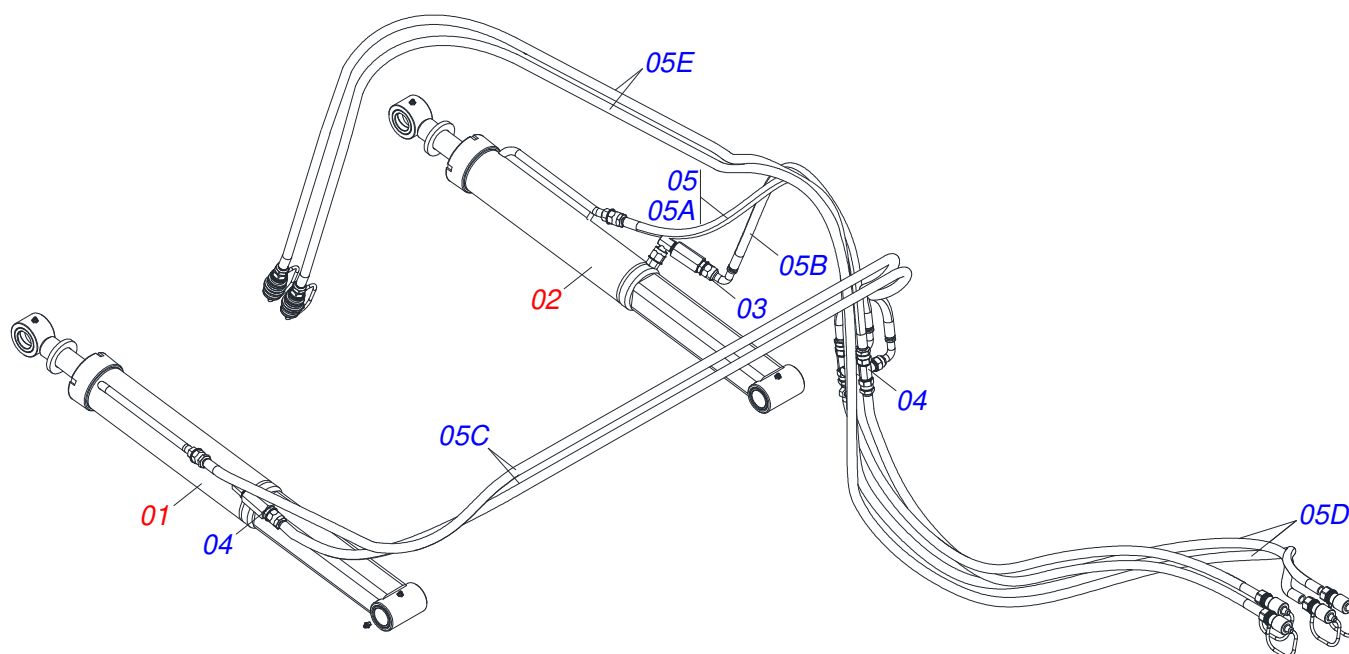


Item	Code	Description	See page	QT
01	0501010087	1.1/4" NUT		04
02	0541015018	ROD 1.1/4 NC X 1000 PCA-T 1750		01

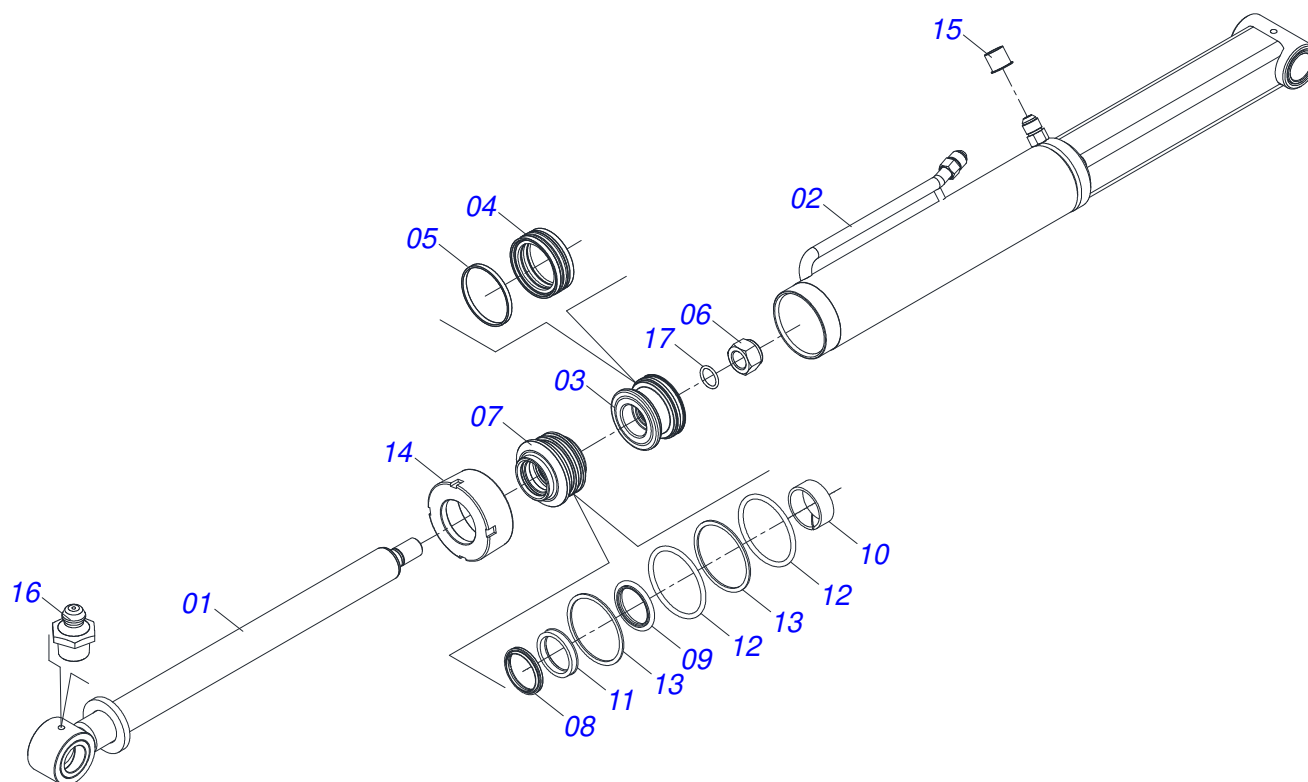
ROD



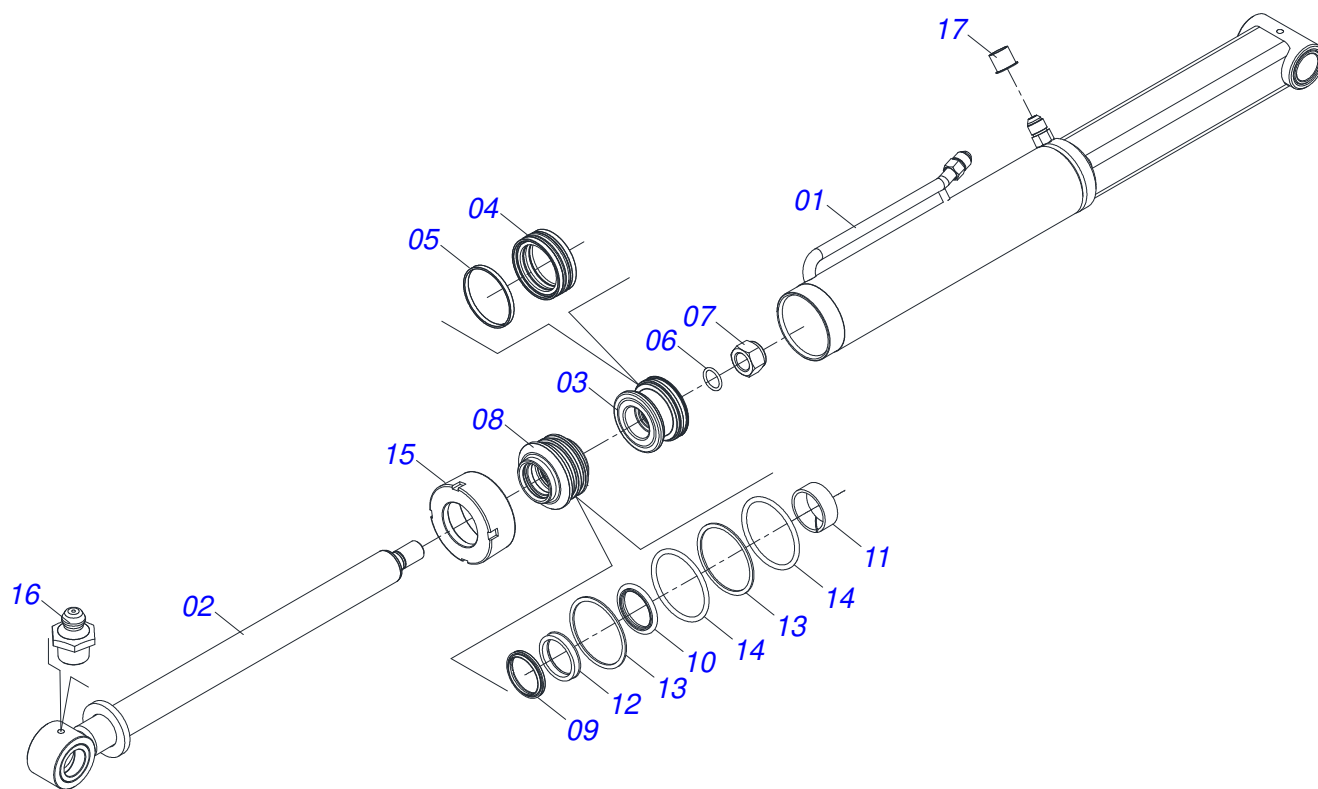
Item	Code	Description	See page	QT
01	0581016637	ROD		01
02	0502012180	CONICAL SPRING WASHER		02
03	0501010087	1.1/4" NUT		04



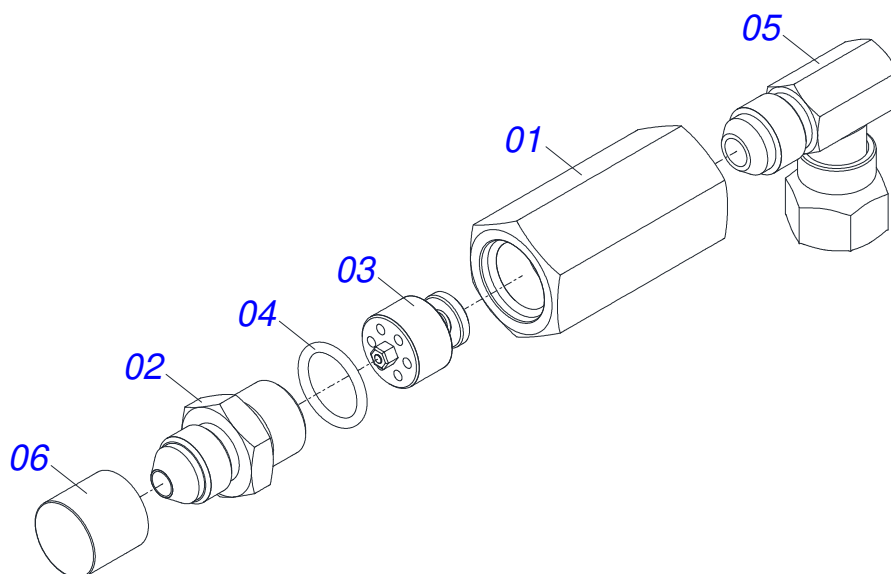
Item	Code	Description	See page	QT
01	0521049955	HIDRAULIC CYLINDER	9	01
02	0521049956	HIDRAULIC CYLINDER	10	01
03	0521064869	7/8UNF JIC OIL DISTRIBUTOR		01
04	0511057771	R.7/8UNF - SAFETY VALVE	11	02
05	0521050822	HOSE KIT		01
05A	0501080825	1/2" X 1100 TR-TC HOSE		01
05B	0501080119	HOSE		01
05C	0501080016	1/2 X 2800 TR-TC HOSE		02
05E	0501080308	1/2 X 2750 TR-TM HOSE		02
05F	0501081929	HOSE 1/2 X 4500 TM-TM		02



Item	Code	Description	See page	QT
01	0531060777	ROD		01
02	0511071829	CASE BODY		01
03	0571019710	1.7" X 3.4" PISTON		01
04	0503017935	RING		01
05	0503018144	RING		01
06	0503010063	1" SELF-ALIGNING NUT		01
07	0571019711	RING SUPPORT		01
08	0503010761	D-1750 SCRAPER RING		01
09	0503017936	RING		01
10	0503017938	RING GUIDE		01
11	0503017937	GASKET		01
12	0503017939	2-337 N 3006-9B O' RING		02
13	0503017940	8-337 BACK-UP RING		02
14	0571019709	DETACHABLE COVER		01
15	0503030387	PLUG		02
16	0503010002	1800 GREASE FITTING		02
17	0503010042	2-214 N 3006-9B O'RING		01

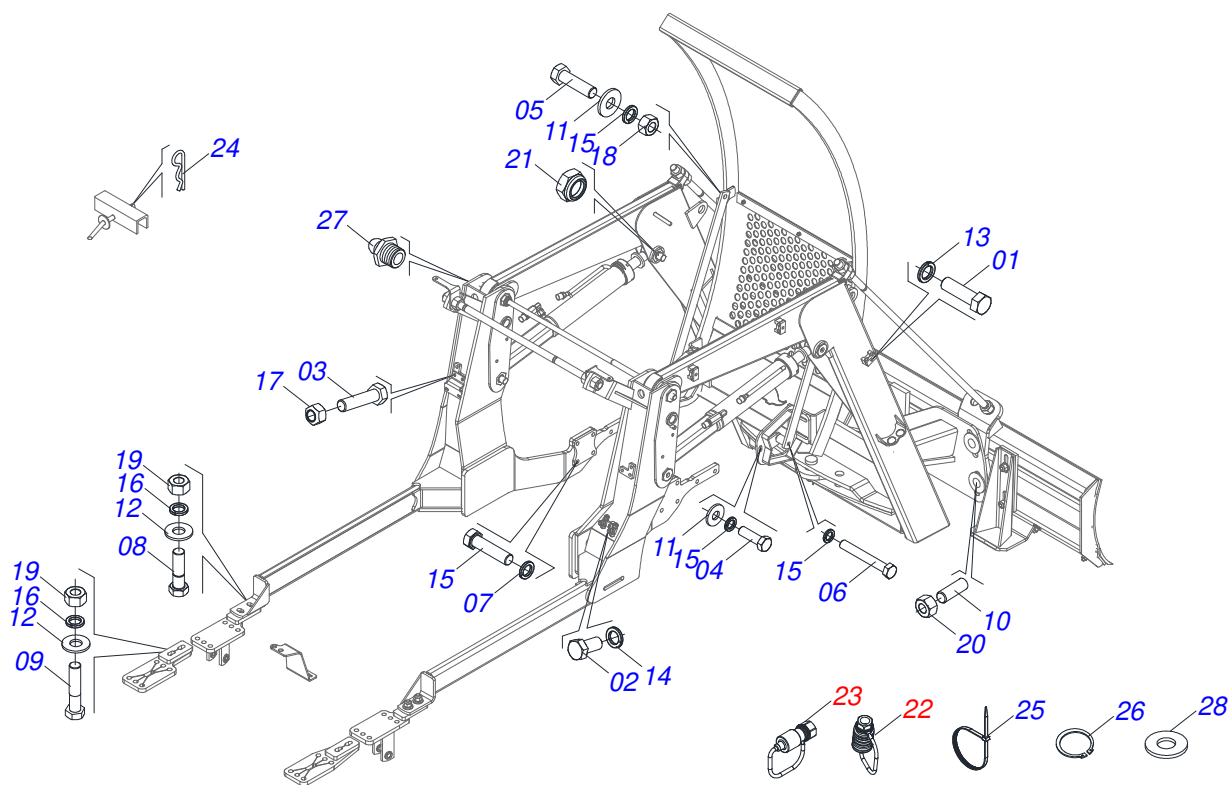


Item	Code	Description	See page	QT
01	0511071873	CASE BODY		01
02	0531060777	ROD		01
03	0571019710	1.7" X 3.4" PISTON		01
04	0503017935	RING		01
05	0503018144	RING		01
06	0503010042	2-214 N 3006-9B O'RING		01
07	0503010063	1" SELF-ALIGNING NUT		01
08	0571019711	RING SUPPORT		01
09	0503010761	D-1750 SCRAPER RING		01
10	0503017936	RING		01
11	0503017938	RING GUIDE		01
12	0503017937	GASKET		01
13	0503017940	8-337 BACK-UP RING		02
14	0503017939	2-337 N 3006-9B O' RING		02
15	0571019709	DETACHABLE COVER		01
16	0503010002	1800 GREASE FITTING		02
17	0503030387	PLUG		02

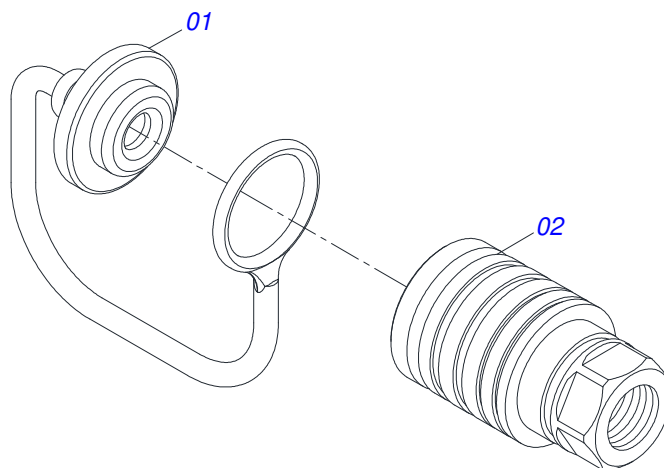


Item	Code	Description	See page	QT
01	0503018033	37 X R.7/8 UNF 90° JIC MALE CONNECTOR WITH ROTATING NUT		01
02	0581014053	1/2 BSP X 7/8 UNF JIC X 64 ADAPTER		01
03	0503016854	VALVE ASSY		01
04	0503010045	O'RING		01
05	0581014052	1/2 BSP X 7/8 UNF JIC X 43 NIPLE		01
06	0503030387	PLUG		01

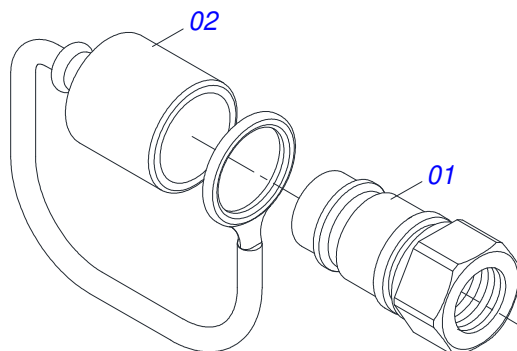
PACKED PARTS



Item	Code	Description	See page	QT
01	0503011135	BOLT		04
02	0503010834	1/2 X 1 BOLT		01
03	0501010077	1/2" X 2" BOLT		02
04	0501010100	SCREW 5/8 UNC X 2 CS G.5 ZN		02
05	0503010899	5/8" X 2-1/4" BOLT		06
06	0501010163	5/8" X 4-1/2" BOLT		02
07	0503012573	M16 X 2 X 65 BOLT		12
08	0501010827	3/4" X 2-3/4" BOLT		04
09	0503010901	3/4UNC 3.1/2 BOLT		04
10	0561016755	PRISONER 1 UNC X 1 UNC X 76 ZN		04
11	0501012140	FLAT WASHER		12
12	0501010322	FLAT WASHER		08
13	0503010180	7/16" SPRING WASHER		04
14	0503010019	1/2" SPRING WASHER		01
15	0503010027	5/8" SPRING WASHER		22
16	0503010023	3/4" SPRING WASHER		04
17	0503011336	1/2" HEX SELF ADJUSTING NUT		02
18	0503010013	5/8" NUT		06
19	0503010014	3/4" NUT		04
20	0501010059	1.5/8 NUT		04
21	0503010044	1-1/4" SELF LOCKING NUT		06
22	0501053835	FEMALE QUICK COUPLER	13	02
23	0501053834	MALE QUICK COUPLER WITH CAP - 1/2 NPT	14	04
24	0503030168	HAIR PIN		02
25	0503013527	CLAMP ZIPER		10
26	0503010217	501040 CLAMPING RING (FOR AXLE)		04
27	0503010002	1800 GREASE FITTING		06
28	0501010694	8.5 X 18 X 1.5 FLAT WASHER		01



Item	Code	Description	See page	QT
01	0503011883	QUICK CONNECTION COVER		01
02	0503011628	FEMALE QUICK COUPLER		01



Item	Code	Description	See page	QT
01	0503011627	MALE QUICK COUPLER AGR 1/2 NPT		01
02	0503011882	MALE QUICK COUPLER CAP		01



MARCHESAN

Technical Publications | Elaboration and Revision

LORENA ROCHA ALVES

www.marchesan.com.br

