

**PD - FRONT LOADER**

## **PD MF 7140/7150-4 BT SPECIAL**

**Code:** 0501093074

**Series:** S-0910

**Revision:** 00

**Date Revision:** JULHO/2021

# **PARTS CATALOGUE**



**MARCHESAN**



# PRODUCTS

Code	Description
0106030412	PD MF 7140/7150-4 BT

## ATTENTION: IMPORTANT

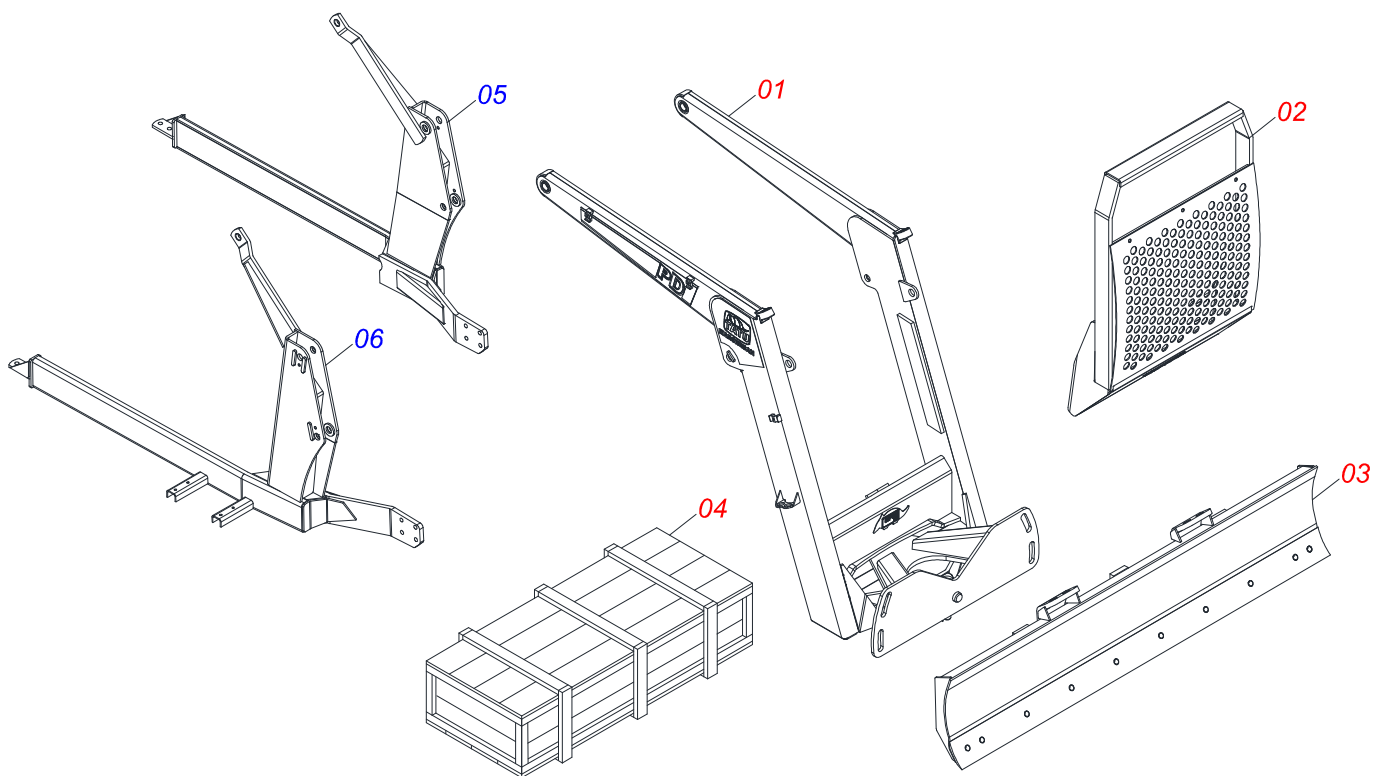
Marchesan S.A. reserves the right to improve and / or modify the technical features of its products, without obligation to do the same with those products already sold and without prior knowledge of the dealer or the consumer.



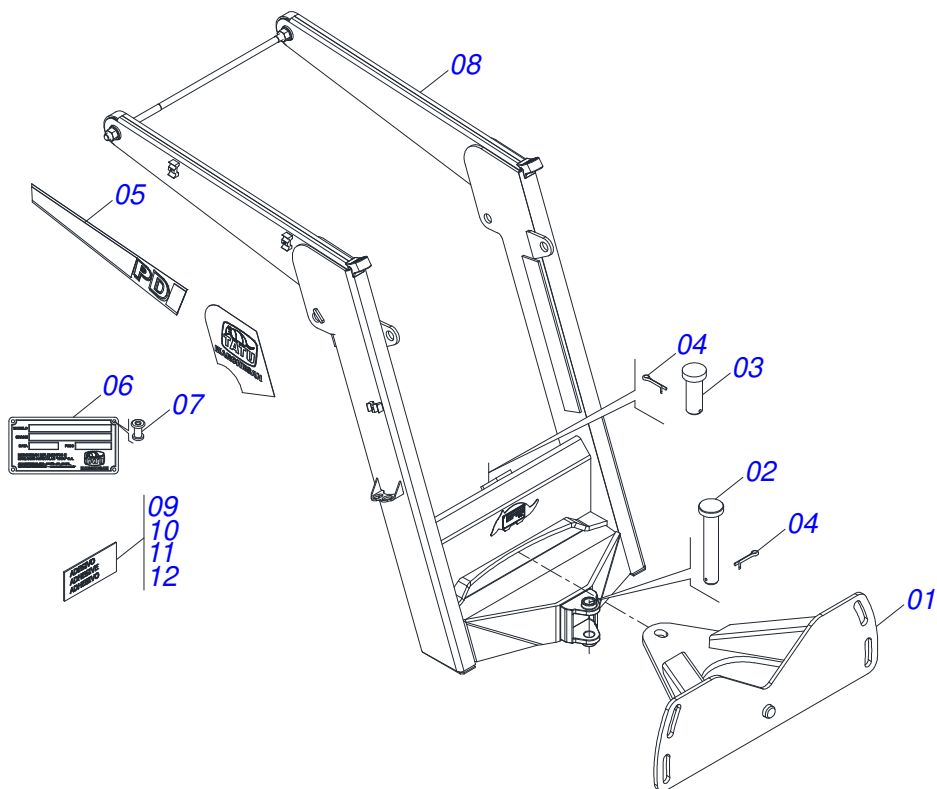
**MARCHESAN**

# INDEX

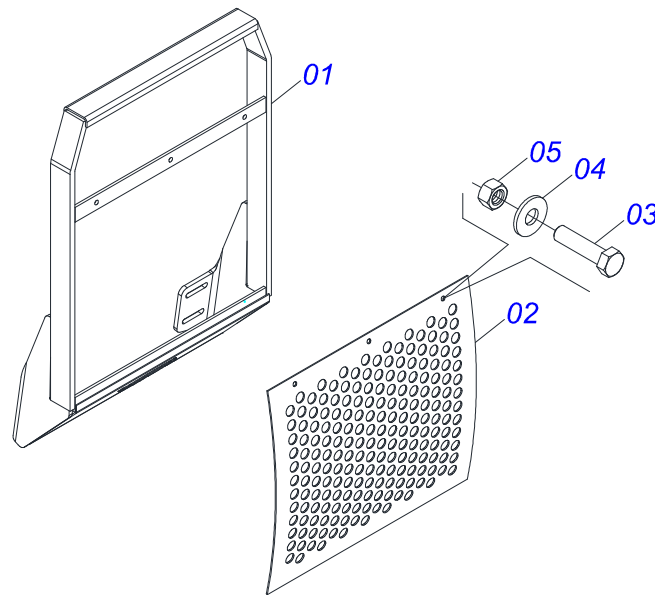
0106030412	PD MF 7140/7150-4 BT	.....	1
0511046192	MOBILE SUPPORT GUIDE ASSY	.....	2
0511046439	MOBILE SUPPORT GUIDE ASSY	.....	3
0501047710	2600MM BLADE SUPPORT ASSY	.....	4
0511025873	BOX WITH COMPONENTS	.....	5
0511047417	50,80 X 101,60 HYDRAULIC CYLINDER	.....	6
0501042819	1.1/4"NC X 33.46" ROD FULL	.....	7
0501049588	1.1/4 NC X 1640 ROD	.....	8
0501038362	PACKED PARTS	.....	9



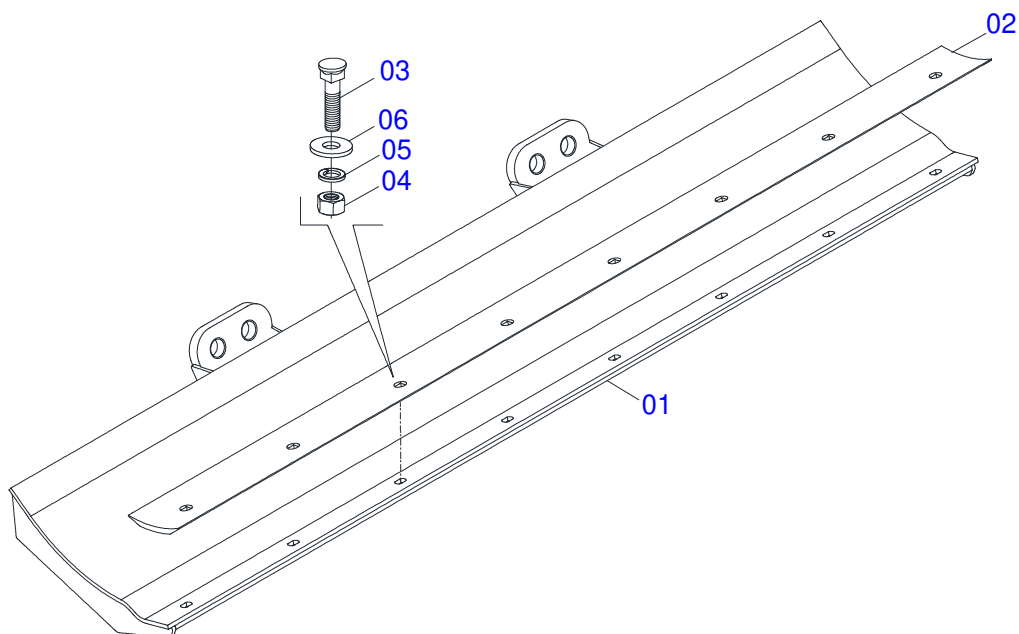
Item	Code	Description	See page	QT
01	0511046192	MOBILE SUPPORT GUIDE ASSY	2	01
02	0511046439	MOBILE SUPPORT GUIDE ASSY	3	01
03	0501047710	2600MM BLADE SUPPORT ASSY	4	01
04	0511025873	BOX WITH COMPONENTS	5	01
05	0521061726	LEFT FRAME		01
06	0521062193	RIGHT FRAME		01



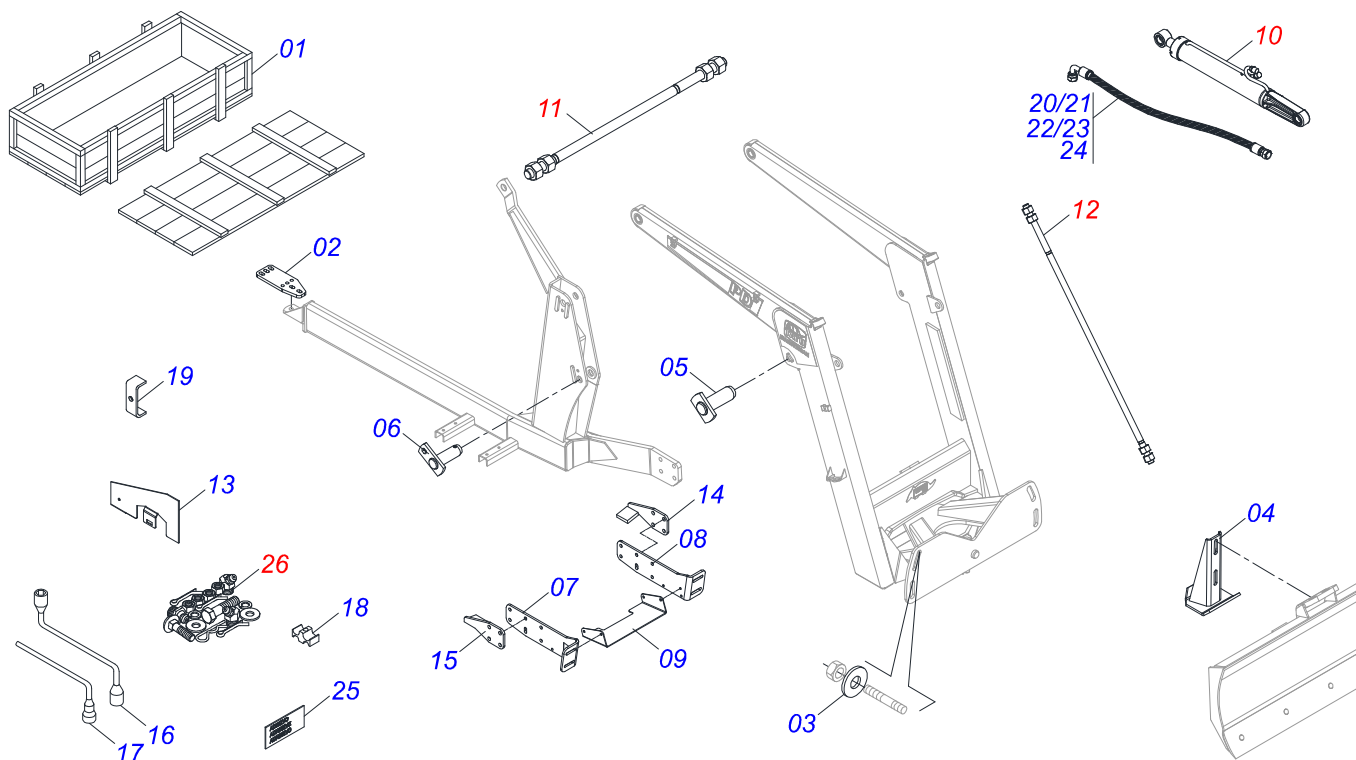
Item	Code	Description	See page	QT
01	0501062637	5/8" REGULATOR SUPPORT		01
02	0521010618	1.4" X 8.6" COUPLING SHAFT		01
03	0521010612	1.4" X 3.5" COUPLING SHAFT		01
04	0503010010	1/4" X 2.1/2" COTTERPIN		02
05	0503062270	SET LABEL ADHESIVE		01
06	0503034003	SERIAL NUMBER TAG 61 X 118		01
07	0503010001	3.2 X 5.5 RIVET		04
08	0521063345	MOBILE SUPPORT		01
09	0503031428	READ MANUAL DECAL		01
10	0503031827	LUBRICATE AND RETIGHTEN DAILY DECAL		01
11	0503034078	LIFTING POINTS DECAL		03
12	0503031087	ADHESIVE LABEL		01



Item	Code	Description	See page	QT
01	0511069391	MOBILE SUPPORT GUIDE ASSY		01
02	0501014687	FRONT PROTECTION		01
03	0503010751	C3/8" X 1.1/4" HEX BOLT G.5		03
04	0501010984	FLAT WASHER		03
05	0503010026	3/8" NUT		03

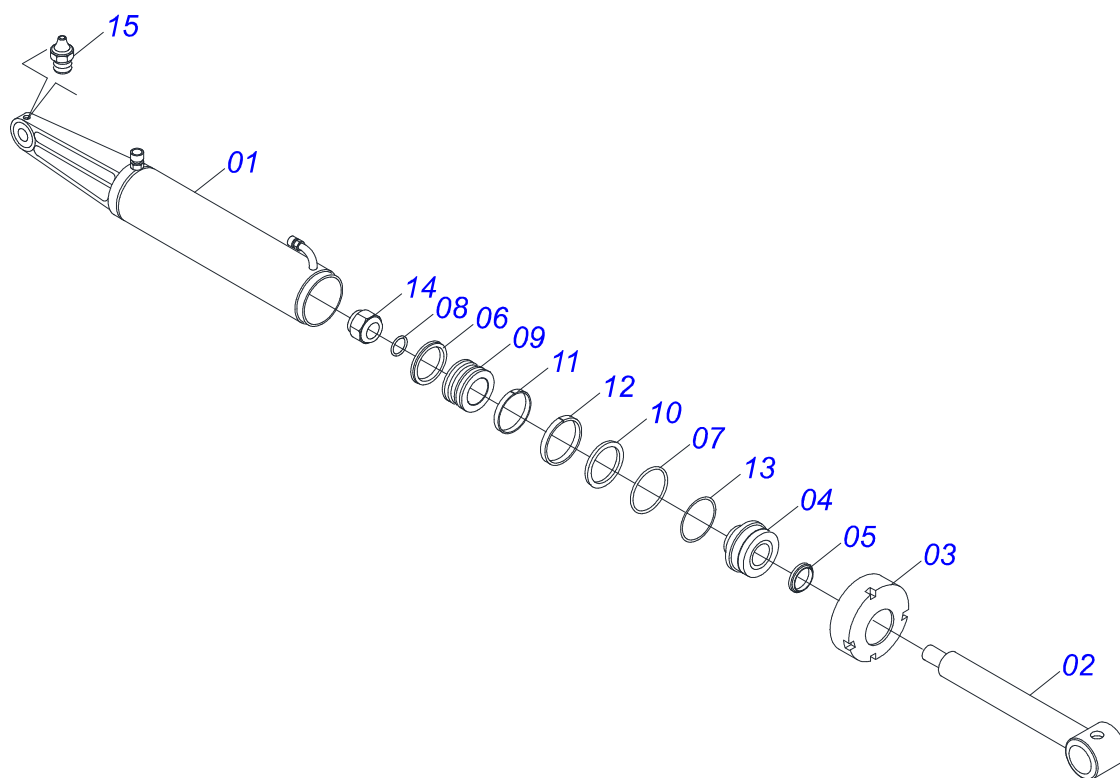


Item	Code	Description	See page
01	0501068001	2590MM BLADE SUPPORT ASSY	01
02	0622360011	2600 SCRAPER REVERSIBLE	01
03	0501012240	BOLT	08
04	0503010013	5/8" NUT	08
05	0503010027	5/8" SPRING WASHER	08
06	0501010301	FLAT WASHER	08

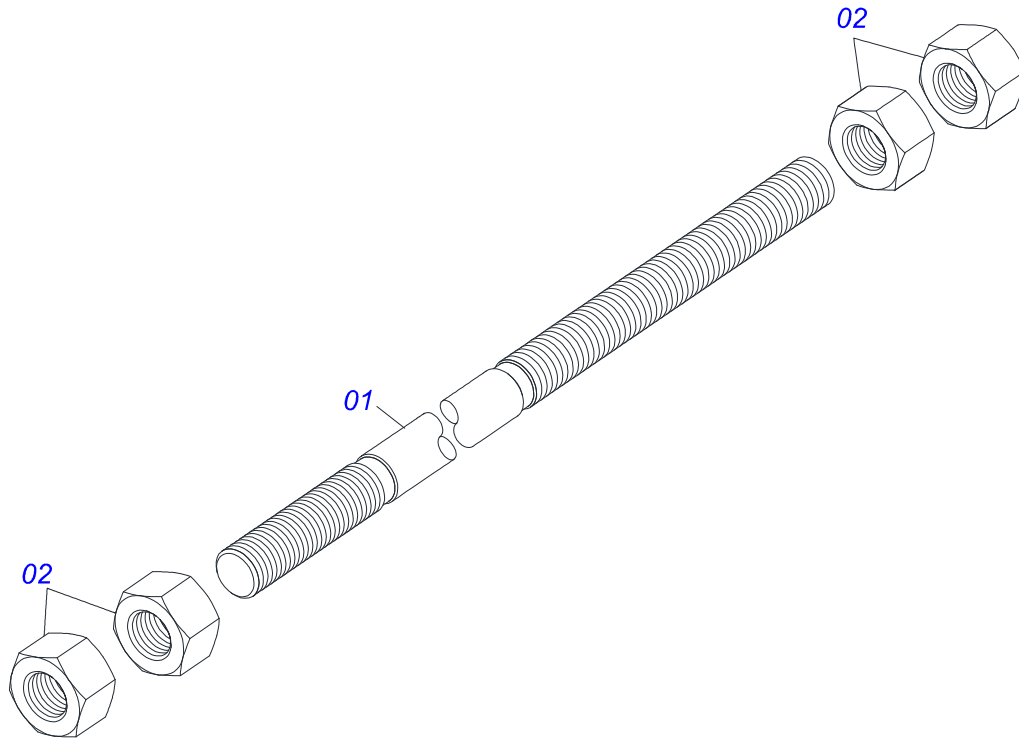


Item	Code	Description	See page	QT
01	0501100441	WOOD BOX		01
02	0561016767	FRAME BRACKET		02
03	0501010574	FLAT WASHER		04
04	0501063411	ESTABILIZER BRACKET		02
05	0521063355	COUPLING SHAFT		02
06	0501063751	1.5" X 5.5" PIVOT SHAFT		04
07	0521061747	RIGHT FIXER MOBILE SUPPORT GUIDE		01
08	0521061748	LEFT FIXER MOBILE SUPPORT GUIDE		01
09	0561016760	PUMP PROTECTION		01
10	0511047417	50,80 X 101,60 HYDRAULIC CYLINDER	6	02
11	0501042819	1.1/4"NC X 33.46" ROD FULL	7	01
12	0501049588	1.1/4 NC X 1640 ROD	8	02
13	0561016725	FUSE FIXING BODY		01
14	0521061734	LEFT BEATER		01
15	0521061733	RIGHT BEATER		01
16	0501068213	5/8" WRENCH DOUBLE		01
17	0501061617	1" GANG BOLT WRENCH		01
18	0502012702	BODY SUPPORT CLAMP		03
19	0511012725	OIL TUBE CLAMP		01
20	0501080076	1/2" X 2500 TR-TM HOSE ASSY		02
21	0501080058	HOSE 1/2 X 1400 TR-TC		01
22	0501080133	HOSE		01
23	0501080270	HOSE		01
24	0501080272	1/2 X 2700 TR-TC HOSE		01
25	0503030770	ADHESIVE LABEL		01
26	0501038362	PACKED PARTS	9	01

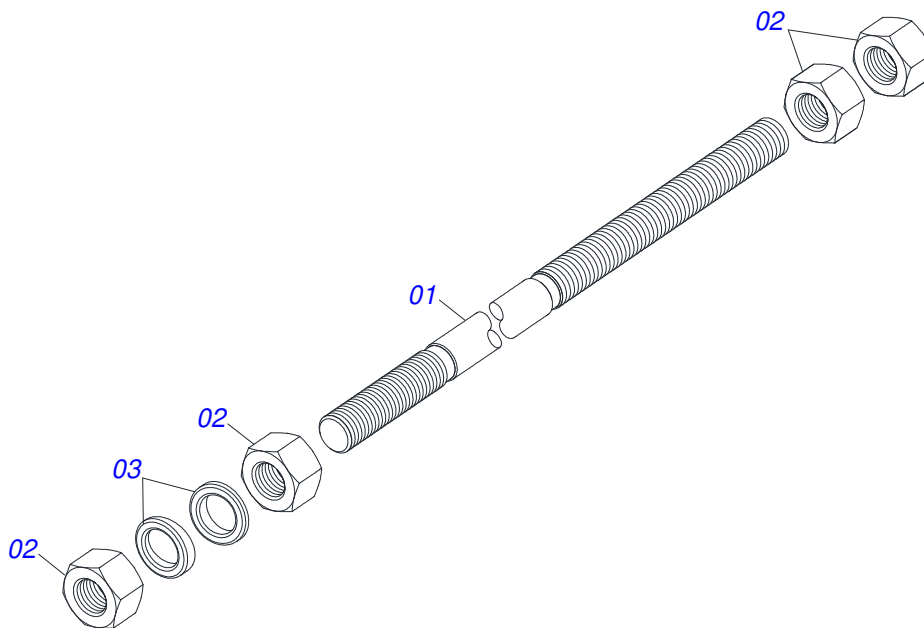




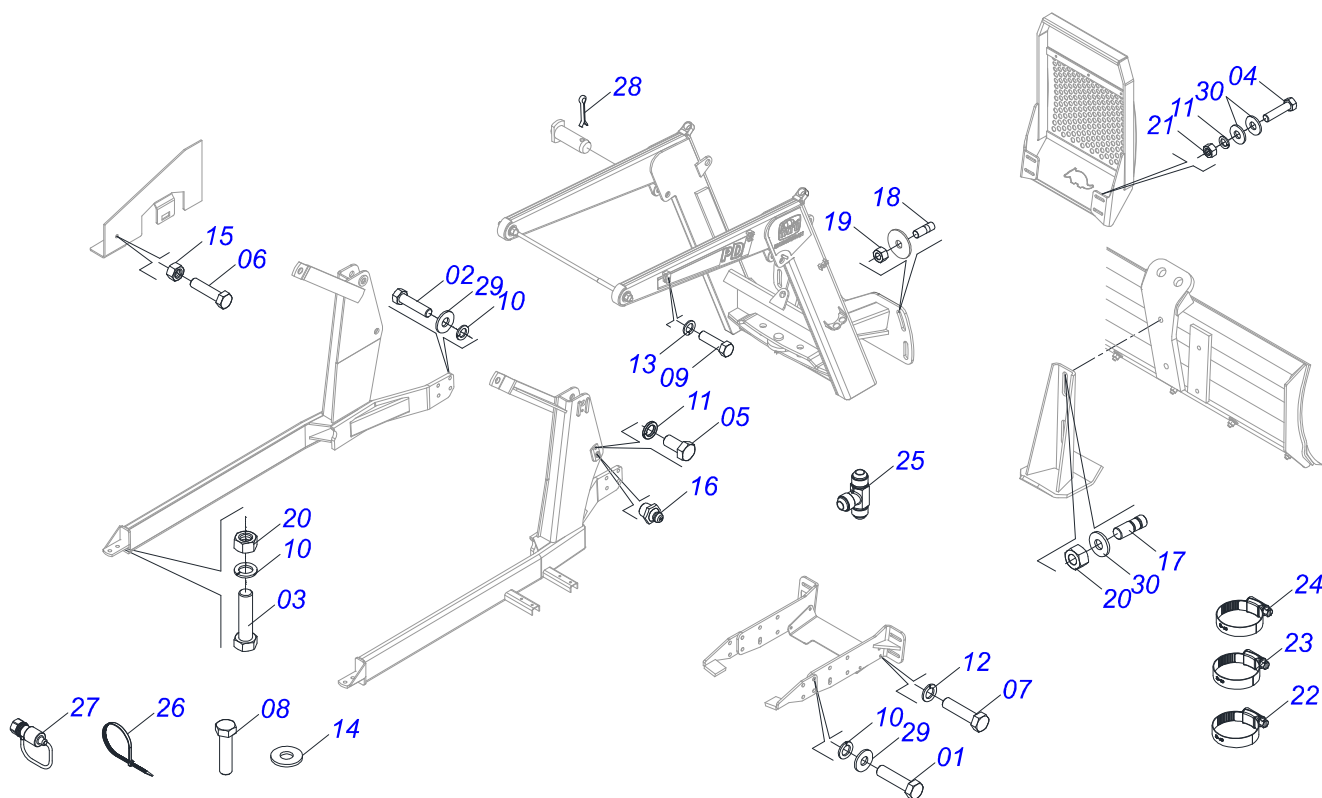
Item	Code	Description	See page
01	0521060113	101,60 X 558 CYLINDER CASE	01
02	0511069252	50,80 X 771,50 TURNBUCKLE	01
03	0502010017	4" HEAD	01
04	0502010778	2" X 4.2" RING SUPPORT	01
05	0503010039	D-2000 SCRAPER RING	01
06	0503010043	PACKING 3750-3250	02
07	0503010338	2-342 N 3006-9B O'RING	01
08	0503010345	2-218 N 3006-9B O'RING	01
09	0502010992	2.0" X 4.0" PISTON	01
10	0503010991	1870-2000-375-B GASKET	01
11	0503010994	W2-4000-500 PK RING G.E	01
12	0503010952	W2-2250-500 RING	01
13	0503011061	8-342 BACK-UP RING	01
14	0503010817	1.1/4" SELF LOCKING NUT	01
15	0503010002	1800 GREASE FITTING	02



Item	Code	Description	See page	QT
01	0501018845	1.1/4" X 33.46" ROD		01
02	0501010087	1.1/4" NUT		04



Item	Code	Description	See page	QT
01	0521018624	1.1/4 X 1640 ROD		01
02	0501010087	1.1/4" NUT		04
03	0502012180	CONICAL SPRING WASHER		02



Item	Code	Description	See page	QT
01	0501010125	3/4" X 2-1/2" BOLT		08
02	0501010098	3/4" UNC BOLT		08
03	0501010500	3/4"X3"BOLT		04
04	0503010233	5/8" X 2-1/2" BOLT		04
05	0503010962	5/8" X 1-1/4" BOLT		06
06	0503010803	SCREW 3/16 UNC X 3/4 CAF G.2 ZN		01
07	0503010751	C3/8" X 1.1/4" HEX BOLT G.5		07
08	0503011084	3/4" X 5" BOLT		02
09	0503012555	SCREW 7/16 UNC X 2 CS RT G.7 ZN		03
10	0503010023	3/4" SPRING WASHER		20
11	0503010027	5/8" SPRING WASHER		10
12	0503010025	3/8" SPRING WASHER		07
13	0503010180	7/16" SPRING WASHER		03
14	0511017302	FLAT WASHER		04
15	0503010667	3/16" NUT		01
16	0503010002	1800 GREASE FITTING		08
17	0561016756	3/4 UNC X 3/4 UNC X 56 PRISONER		04
18	0561016755	PRISONER 1 UNC X 1 UNC X 76 ZN		04
19	0501010059	1.5/8 NUT		04
20	0503010014	3/4" NUT		08
21	0503010013	5/8" NUT		04
22	0503010243	CLAMP		02
23	0503010246	CLAMP		02
24	0503010184	CLAMP		02
25	0503013493	T CONNECTION MALE		02
26	0503013100	NYLON CLAMP		05
27	0501053834	MALE QUICK COUPLER WITH CAP - 1/2 NPT		02
28	0503010534	3/8 X 2-1/2 COTTERPIN		02
29	0501010322	FLAT WASHER		12
30	0501012140	FLAT WASHER		14





**MARCHESAN**

**Technical Publications | Elaboration and Revision**

LORENA ROCHA ALVES

[www.marchesan.com.br](http://www.marchesan.com.br)

