

DISK PLOW/MOLDBOARD PLOW/TERRACING PLOW

TAP3 40/44/48/52/56D

Code: 0501093067
Series: S-0118
Revision: 00
Date Revision: FEVEREIRO/2023

PARTS CATALOGUE



MARCHESAN



PRODUCTS

Code	Description	
0101190032	TAP3 40 X 28 X 6,00 OL PA	S-0118
0101190033	TAP3 40 X 28 X 7,50 OL PA	S-0118
0101190034	TAP3 44 X 28 X 6,00 OL PA	S-0118
0101190035	TAP3 44 X 28 X 7,50 OL PA	S-0118
0101190026	TAP3 48 X 28 X 6,00 OL PA	S-0118
0101190027	TAP3 48 X 28 X 7,5 OL PA	S-0118
0101190028	TAP3 52 X 28 X 6,00 OL PA	S-0118
0101190029	TAP3 52 X 28 X 7,50 OL PA	S-0118
0101190030	TAP3 56 X 28 X 6,00 OL PA	S-0118
0101190031	TAP3 56 X 28 X 7,50 OL PA	S-0118

ATTENTION: IMPORTANT

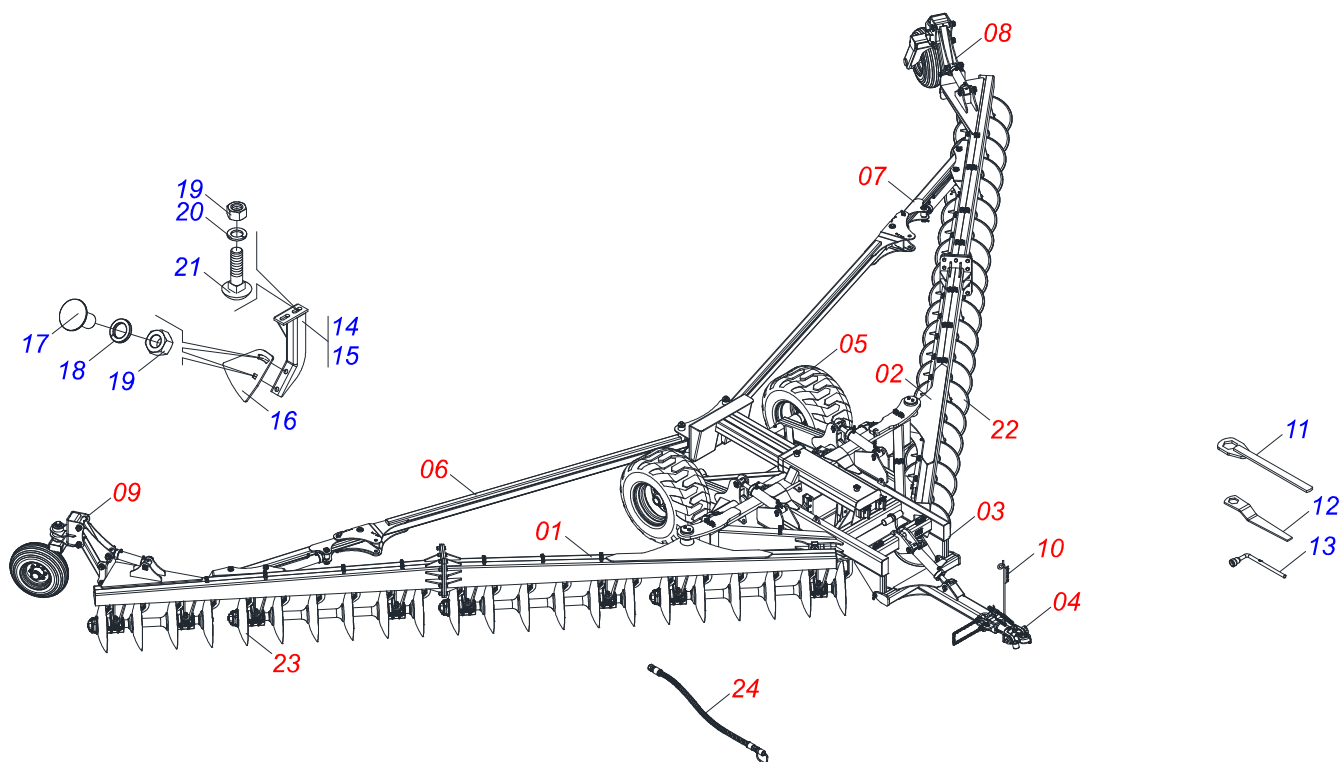
Marchesan S.A. reserves the right to improve and/or modify the technical features of its products, without obligation to do the same with those products already sold and without prior knowledge of the dealer or the customer. The photos are only illustrative.



MARCHESAN

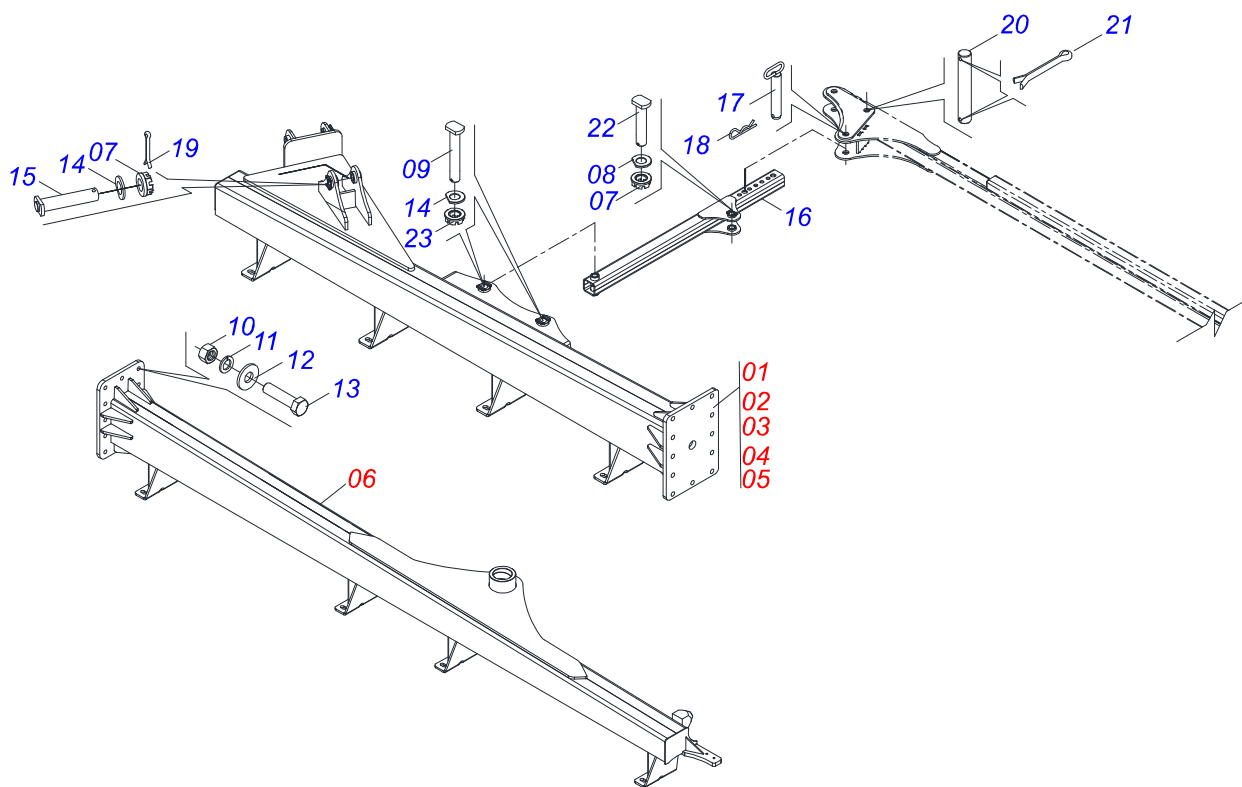
INDEX

0909095867	ASSY FRAME - 40/44/48/52/56D	1
0909095868	RIGHT FRAME	2
0521049339	RIGHT REAR FRAME WITH LABEL - 40	3
0521049340	RIGHT REAR FRAME WITH LABEL - 44	4
0521049289	RIGHT REAR FRAME WITH LABEL - 48	5
0521049294	RIGHT REAR FRAME WITH LABEL - 52	6
0521049296	RIGHT REAR FRAME WITH LABEL - 56	7
0521049290	RIGHT FRONT FRAME WITH LABEL	8
0909095869	LEFT FRAME	9
0521049338	LEFT REAR FRAME WITH LABEL - 40	10
0521049341	LEFT REAR FRAME WITH LABEL - 44	11
0521049291	LEFT REAR FRAME WITH LABEL - 48	12
0521049295	LEFT REAR FRAME WITH LABEL - 52	13
0521049297	LEFT REAR FRAME WITH LABEL - 56	14
0521051943	LEFT FRONT FRAME WITH LABEL	15
0909095870	FRAME CENTRAL	16
0521049288	CENTRAL FRAME SEMI MOUNTED	17
0521051924	DRAWBAR ASSY	18
0531040171	ASSY HITCH	19
0521051918	WHEEL ASSEMBLY WITH CUBE	20
0521042416	JOINT CUBE OF THE WHEEL ASSY	21
0521051938	RIGHT FRONT STABILITY BAR WITH LABEL	22
0521051995	RIGHT FRONT STABILITY BAR WITH LABEL	23
0521051939	LEFT FRONT STABILITY BAR WITH LABEL	24
0521051996	LEFT FRONT STABILITY BAR WITH LABEL	25
0521053255	LEFT WHEEL ASSEMBLY	26
0521053253	RIGHT WHEEL ASSEMBLY	27
0501052497	CARRYING WHEEL HUB ASSY	28
0503062778	WHEEL WITH TIRE	29
0501040257	3/4 X 1200 HOSE HOLDER A	30
0909095871	FRONT GANG DISC	31
0909095872	REAR GANG DISC	32
0521041797	OIL BATH BEARING 450 X 2.1/8	33
0909095873	HYDRAULIC CIRCUIT - 40	34
0909095874	HYDRAULIC CIRCUIT - 44	35
0909095875	HYDRAULIC CIRCUIT - 48	36
0909095876	HYDRAULIC CIRCUIT - 52	37
0909095877	HYDRAULIC CIRCUIT - 56	38
0521055446	HYDRAULIC CYLINDER	39
0521051916	HYDRAULIC CYLINDER 53,98 X 114,30 X 654 X 296	40
0501053834	MALE QUICK COUPLER	41
0521051917	HYDRAULIC CYLINDER 50,8 X 101,6 X 500 X 220	42

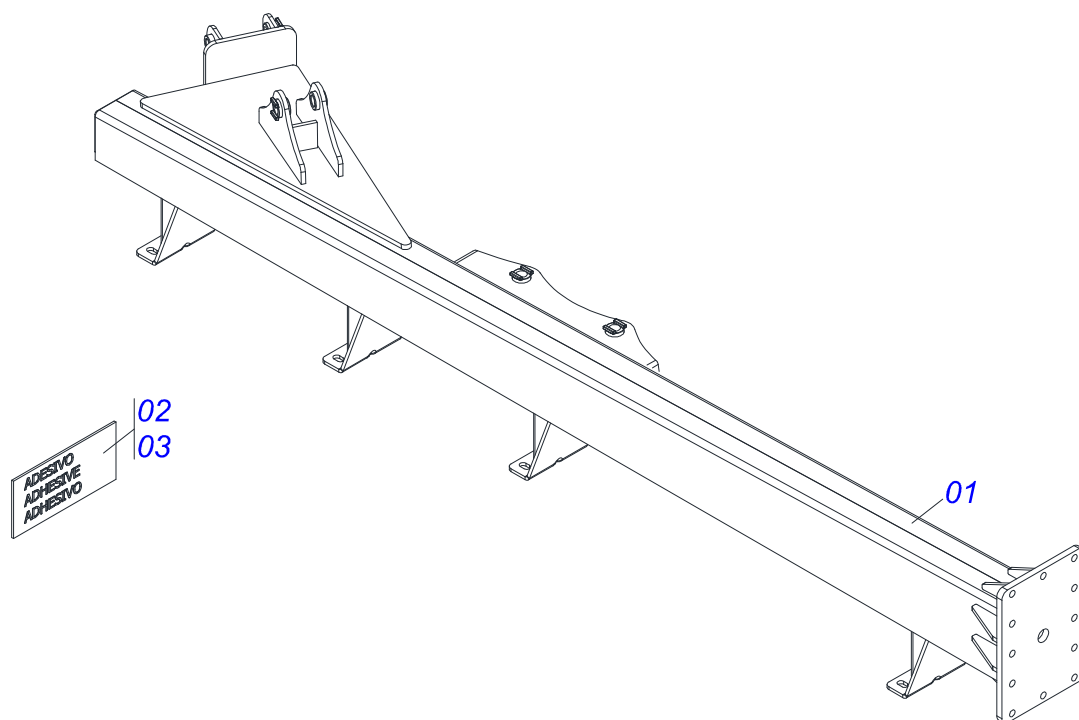


Item	Code	Description	See page	040	044	048	052	056
01	0909095868	RIGHT FRAME	2	001	001	001	001	001
02	0909095869	LEFT FRAME	9	001	000	000	000	000
03	0909095870	FRAME CENTRAL	16	000	001	000	000	000
04	0521051924	DRAWBAR ASSY	18	001	001	001	001	001
05	0521051918	WHEEL ASSEMBLY WITH CUBE	20	001	001	001	001	001
06	0521051938	RIGHT FRONT STABILITY BAR WITH LABEL	22	000	001	001	001	001
06.	0521051995	RIGHT FRONT STABILITY BAR WITH LABEL	23	001	000	000	000	000
07	0521051939	LEFT FRONT STABILITY BAR WITH LABEL	24	000	001	001	001	001
07.	0521051996	LEFT FRONT STABILITY BAR WITH LABEL	25	001	000	000	000	000
08	0521053255	LEFT WHEEL ASSEMBLY	26	001	001	001	001	001
09	0521053253	RIGHT WHEEL ASSEMBLY	27	001	001	001	001	001
10	0501040257	3/4 X 1200 HOSE HOLDER A	30	001	001	001	001	001
11	0501061044	2-1/8" AND 2-1/2" CABLE FLAT WRENCH		002	002	002	002	002
12	0501011431	1-3/4" GANG BOLT WRENCH		001	001	001	001	001
13	0501061617	1" GANG BOLT WRENCH		001	001	001	001	001
14	0511065925	REAR SCRAPER SUPPORT		020	022	024	026	028
15	0511065926	FRONT SCRAPER SUPPORT		020	022	024	026	028
16	0561014263	CLEANER SHOVEL		040	044	048	052	056
17	0503012195	5/8" NUT		080	088	096	104	112
18	0503010027	5/8 SPRING WASHER		080	088	096	104	112
19	0503010013	5/8 NUT		160	176	112	108	124
20	0501012140	FLAT WASHER		080	088	096	104	112
21	0503013842	5/8" UNC X 1-3/4" BOLT		080	088	096	104	112
22	0909095871	FRONT GANG DISC	31	001	001	001	001	001
23	0909095872	REAR GANG DISC	32	001	001	001	001	001
24	0909095873	HYDRAULIC CIRCUIT - 40	34	001	000	000	000	000
24.	0909095874	HYDRAULIC CIRCUIT - 44	35	000	001	000	000	000
24..	0909095875	HYDRAULIC CIRCUIT - 48	36	000	000	001	000	000
24...	0909095876	HYDRAULIC CIRCUIT - 52	37	000	000	000	001	000
24....	0909095877	HYDRAULIC CIRCUIT - 56	38	000	000	000	000	001

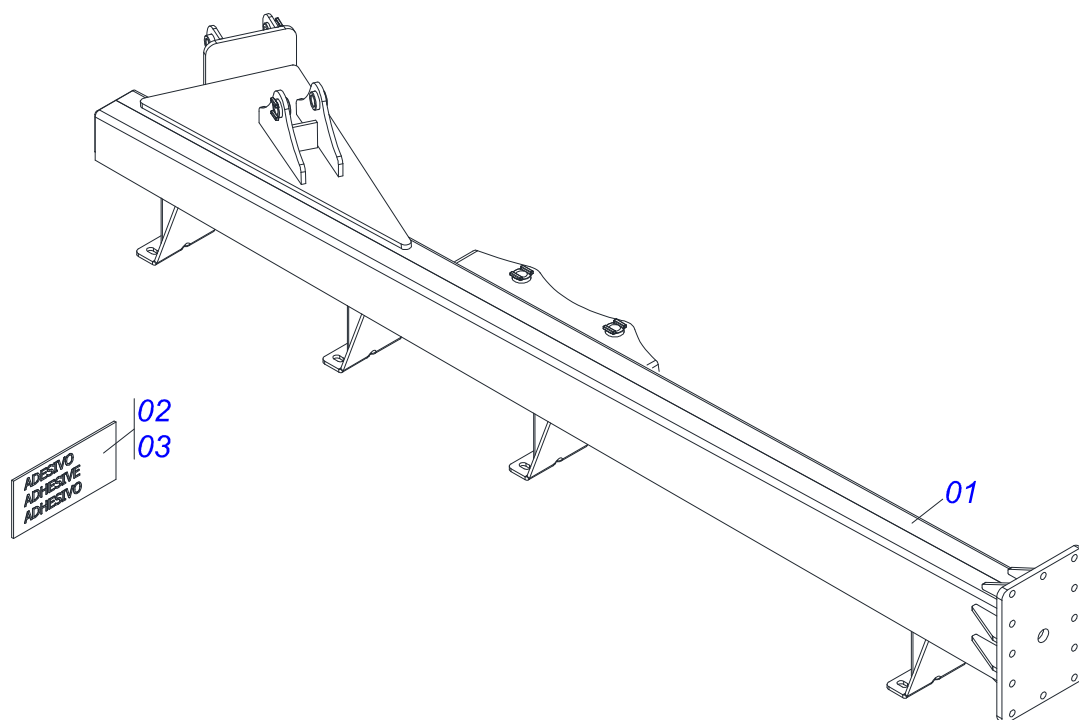
RIGHT FRAME



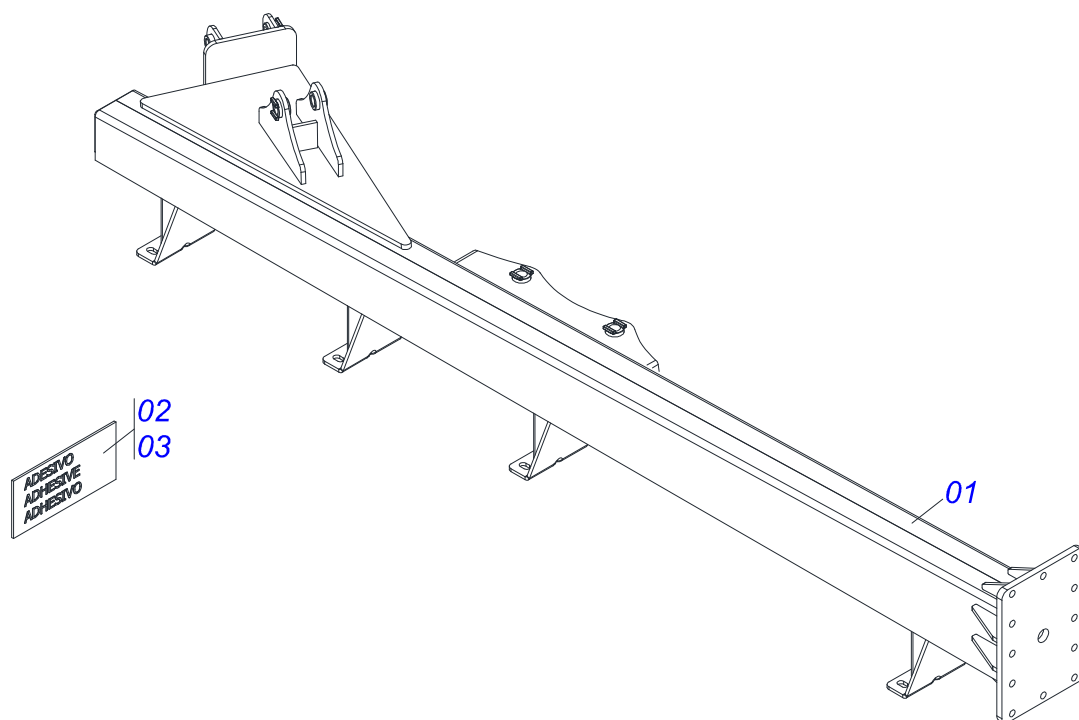
Item	Code	Description	See page	040	044	048	052	056
01	0521049339	RIGHT REAR FRAME WITH LABEL - 40	3	001	000	000	000	000
02	0521049340	RIGHT REAR FRAME WITH LABEL - 44	4	000	001	000	000	000
03	0521049289	RIGHT REAR FRAME WITH LABEL - 48	5	000	000	001	000	000
04	0521049294	RIGHT REAR FRAME WITH LABEL - 52	6	000	000	000	001	000
05	0521049296	RIGHT REAR FRAME WITH LABEL - 56	7	000	000	000	000	001
06	0521049290	RIGHT FRONT FRAME WITH LABEL	8	001	001	001	001	001
07	0501011301	1.1/2 UNC 6FPP 2.5/16 NUT		004	004	004	004	004
08	0531019540	FLAT WASHER		003	003	003	003	003
09	0521068230	PIVOT SHAFT		002	002	002	002	002
10	0501010059	1.5/8 NUT		012	012	012	012	012
11	0503010012	1" SPRING WASHER		012	012	012	012	012
12	0571017193	FLAT WASHER		012	012	012	012	012
13	0501010171	BOLT 1 UNC X 3.1/2 C S G.5		012	012	012	012	012
14	0501019647	FLAT WASHER		001	001	001	001	001
15	0521068231	PIVOT SHAFT		001	001	001	001	001
16	0521068217	REAR STABILIZER BAR		001	001	001	001	001
17	0521068223	COUPLING SHAFT		001	001	001	001	001
18	0503031035	HITCH PIN CLIP		001	001	001	001	001
19	0503010010	1/4" X 2.1/2" COTTERPIN		004	004	004	004	004
20	0581015508	COUPLING SHAFT		001	001	001	001	001
21	0503010534	3/8 X 2-1/2 COTTERPIN		002	002	002	002	002
22	0521068216	PIVOT SHAFT		001	001	001	001	001
23	0501011301	1.1/2 UNC 6FPP 2.5/16 NUT		002	002	002	002	002



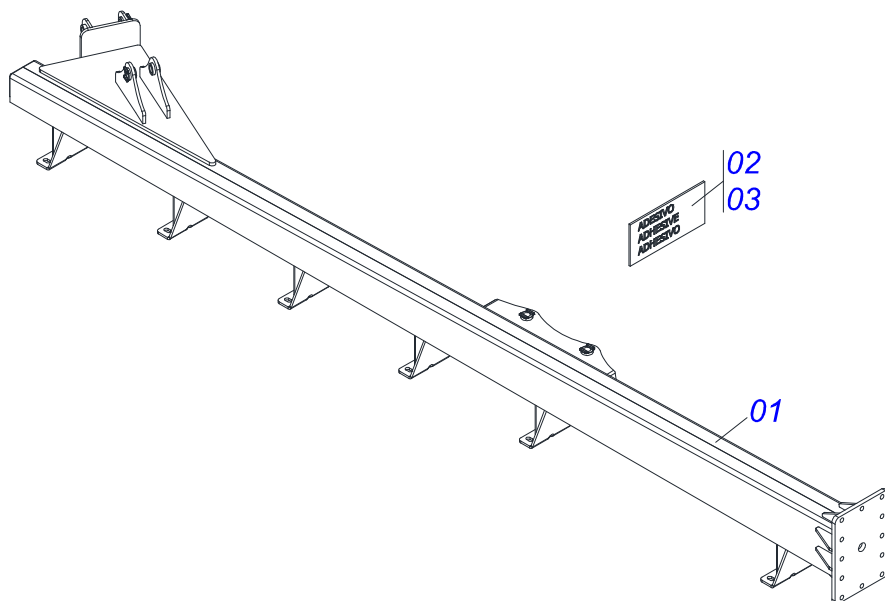
Item	Code	Description	See page	QT
01	0521068263	RIGHT REAR FRAME		01
02	0503034889	ADHESIVE LABEL		01
03	0503034890	ADHESIVE LABEL		01



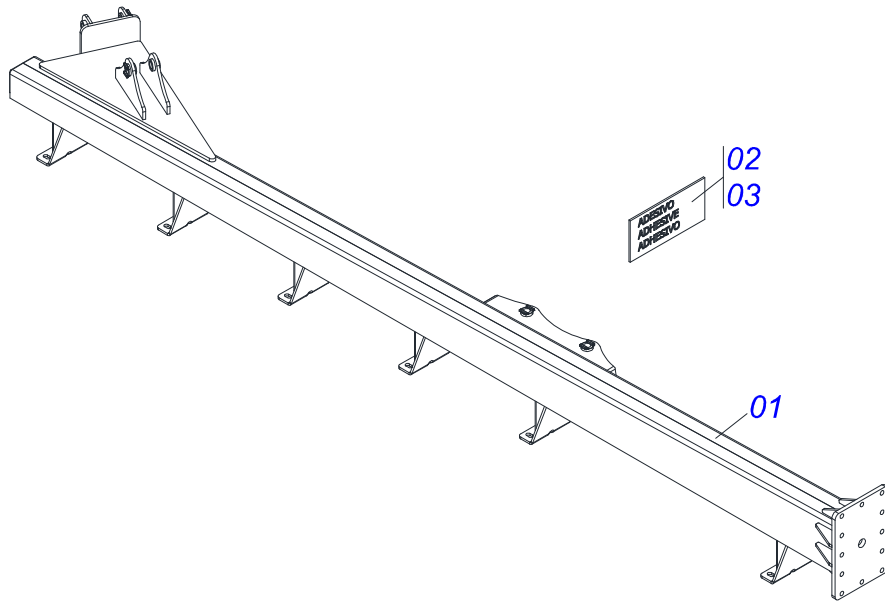
Item	Code	Description	See page	QT
01	0521068261	RIGHT REAR FRAME		01
02	0503034889	ADHESIVE LABEL		01
03	0503034890	ADHESIVE LABEL		01



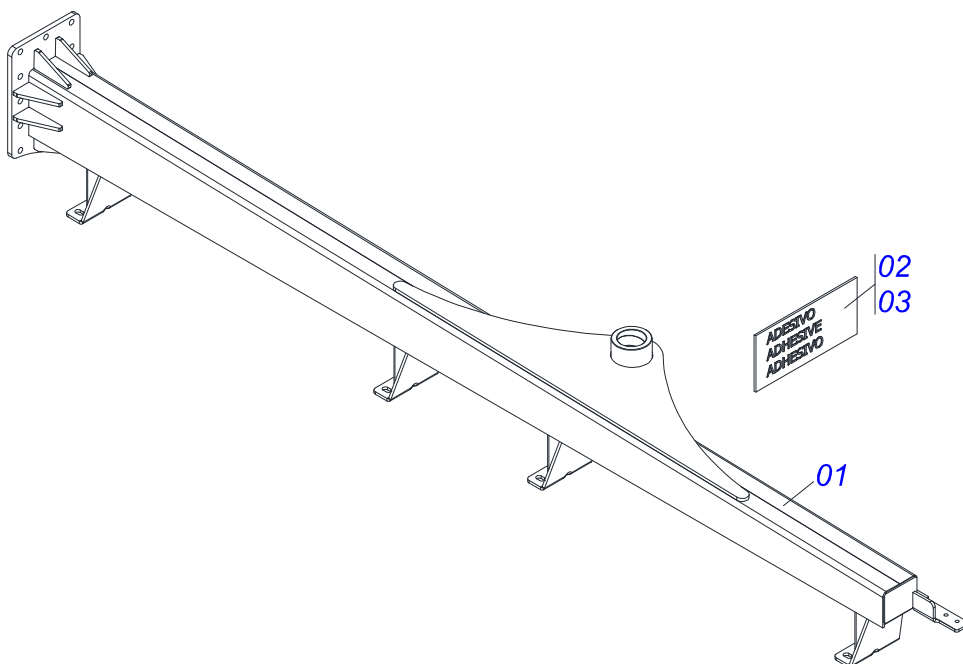
Item	Code	Description	See page	QT
01	0521068212	RIGHT REAR FRAME		01
02	0503034889	ADHESIVE LABEL		01
03	0503034890	ADHESIVE LABEL		01



Item	Code	Description	See page	QT
01	0521068239	RIGHT REAR FRAME		01
02	0503034889	ADHESIVE LABEL		01
03	0503034890	ADHESIVE LABEL		01

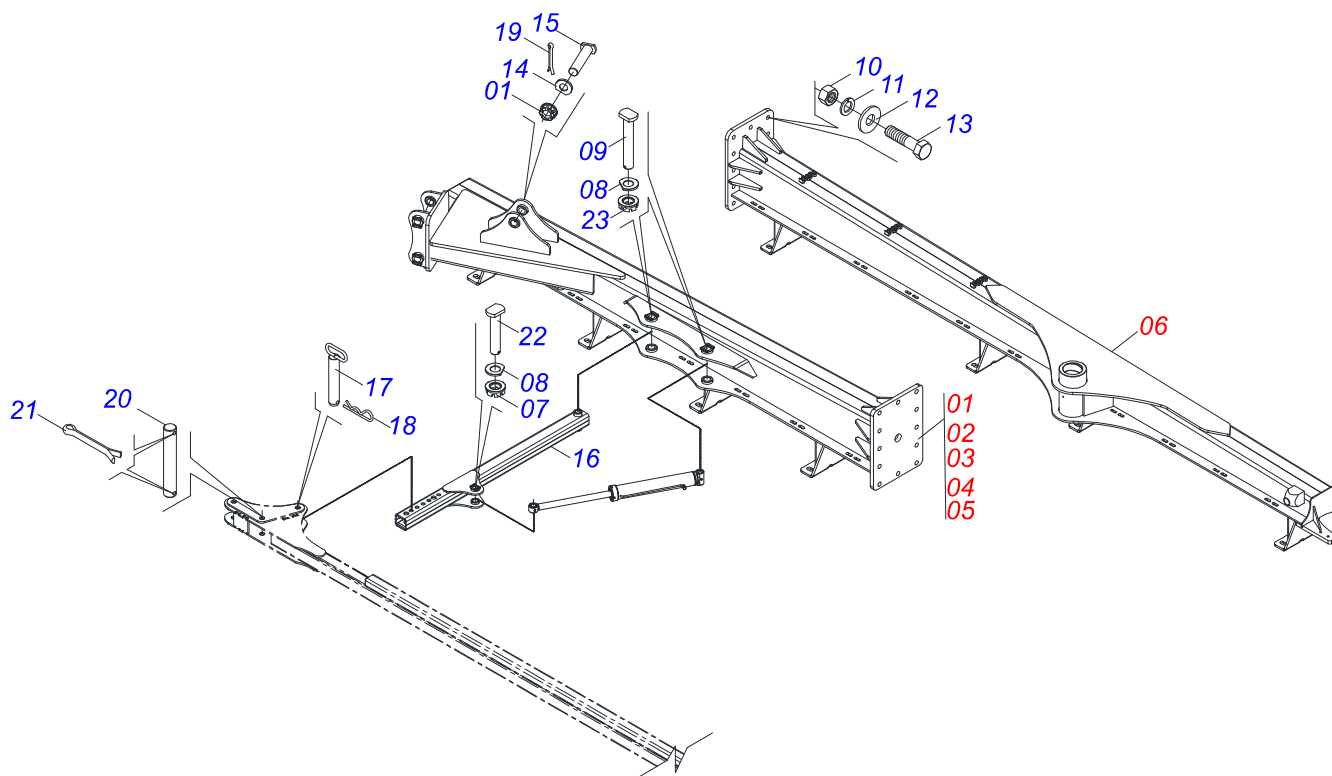


Item	Code	Description	See page	QT
01	0521068150	RIGHT REAR FRAME		01
02	0503034889	ADHESIVE LABEL		01
03	0503034890	ADHESIVE LABEL		01

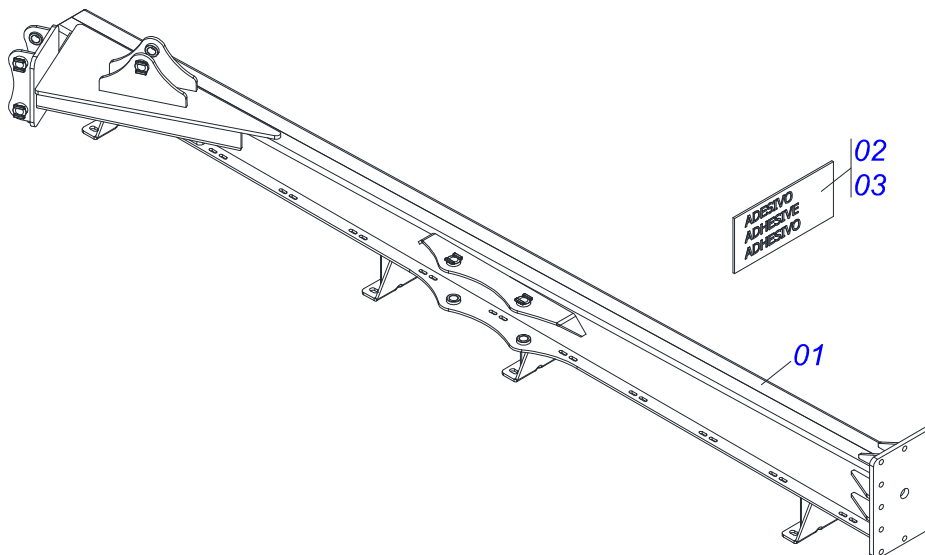


Item	Code	Description	See page	QT
01	0521068211	FRONT FRAME RIGHT		01
02	0503034889	ADHESIVE LABEL		01
03	0503034890	ADHESIVE LABEL		01

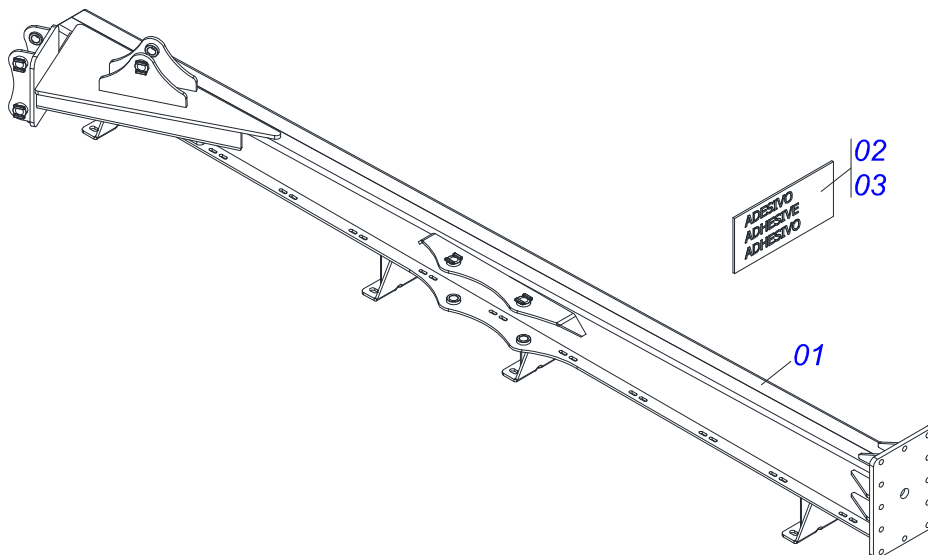
LEFT FRAME



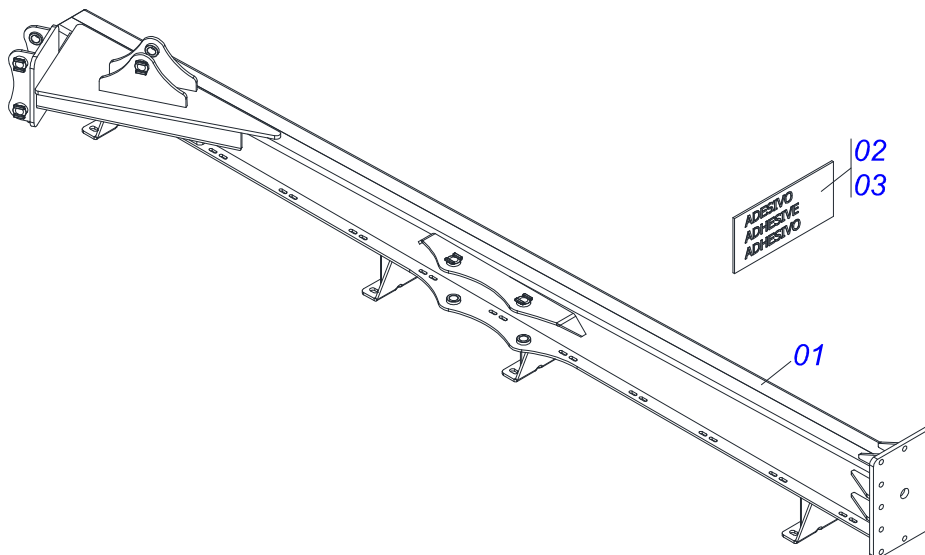
Item	Code	Description	See page	040 044 048 052 056
01	0521049338	LEFT REAR FRAME WITH LABEL - 40	10	001 000 000 000 000
02	0521049341	LEFT REAR FRAME WITH LABEL - 44	11	000 001 000 000 000
03	0521049291	LEFT REAR FRAME WITH LABEL - 48	12	000 000 001 000 000
04	0521049295	LEFT REAR FRAME WITH LABEL - 52	13	000 000 000 001 000
05	0521049297	LEFT REAR FRAME WITH LABEL - 56	14	000 000 000 000 001
06	0521051943	LEFT FRONT FRAME WITH LABEL	15	001 001 001 001 001
07	0501011301	1.1/2 UNC 6FPP 2.5/16 NUT		004 004 004 004 004
08	0531019540	FLAT WASHER		003 003 003 003 003
09	0521068230	PIVOT SHAFT		002 002 002 002 002
10	0501010059	1.5/8 NUT		012 012 012 012 012
11	0503010012	1" SPRING WASHER		012 012 012 012 012
12	0571017193	FLAT WASHER		012 012 012 012 012
13	0501010171	BOLT 1 UNC X 3.1/2 C S G.5		012 012 012 012 012
14	0501019647	FLAT WASHER		001 001 001 001 001
15	0521068231	PIVOT SHAFT		001 001 001 001 001
16	0521068267	REAR STABILIZER BAR		001 001 001 001 001
17	0521068223	COUPLING SHAFT		001 001 001 001 001
18	0503031035	HITCH PIN CLIP		001 001 001 001 001
19	0503010010	1/4" X 2.1/2" COTTERPIN		004 004 004 004 004
20	0581015508	COUPLING SHAFT		001 001 001 001 001
21	0503010534	3/8 X 2-1/2 COTTERPIN		002 002 002 002 002
22	0521068216	PIVOT SHAFT		001 001 001 001 001
23	0501011301	1.1/2 UNC 6FPP 2.5/16 NUT		002 002 002 002 002



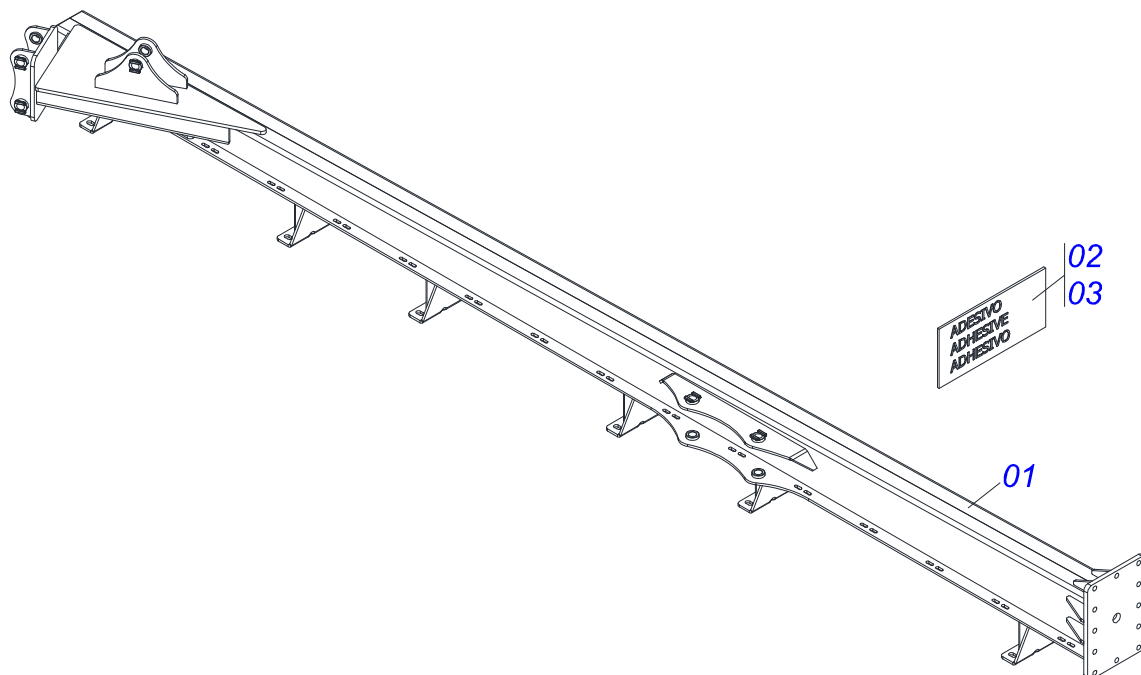
Item	Code	Description	See page	QT
01	0521068264	LEFT REAR FRAME		01
02	0503034889	ADHESIVE LABEL		01
03	0503034890	ADHESIVE LABEL		01



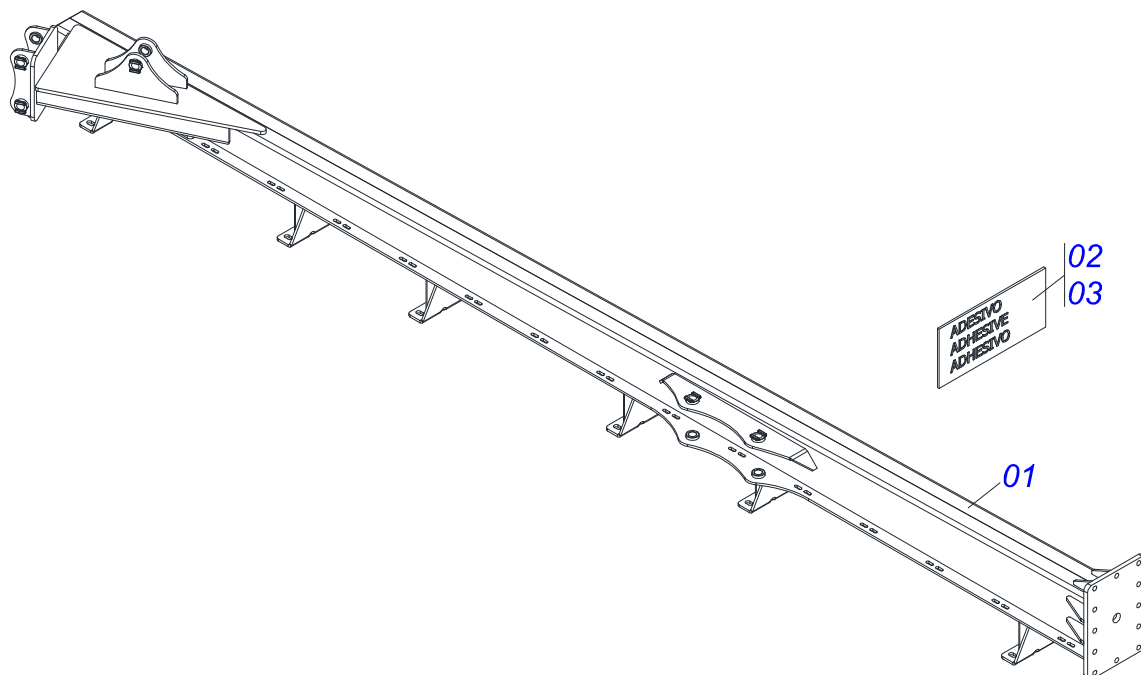
Item	Code	Description	See page	QT
01	0521068262	LEFT REAR FRAME		01
02	0503034889	ADHESIVE LABEL		01
03	0503034890	ADHESIVE LABEL		01



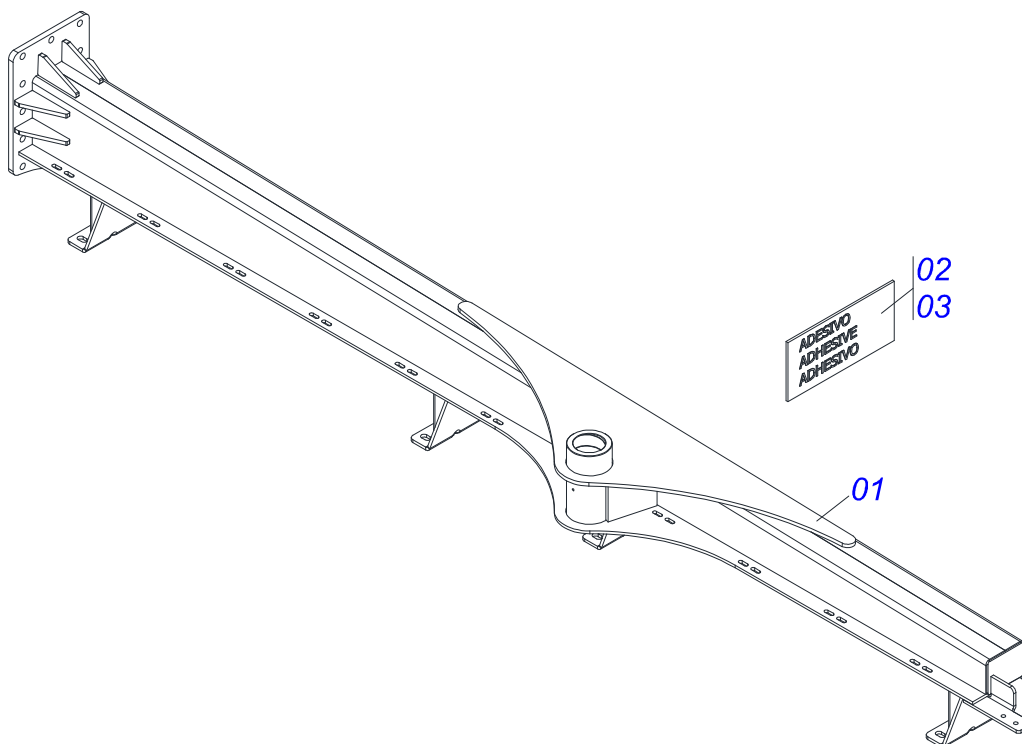
Item	Code	Description	See page	QT
01	0521068214	LEFT REAR FRAME		01
02	0503034889	ADHESIVE LABEL		01
03	0503034890	ADHESIVE LABEL		01



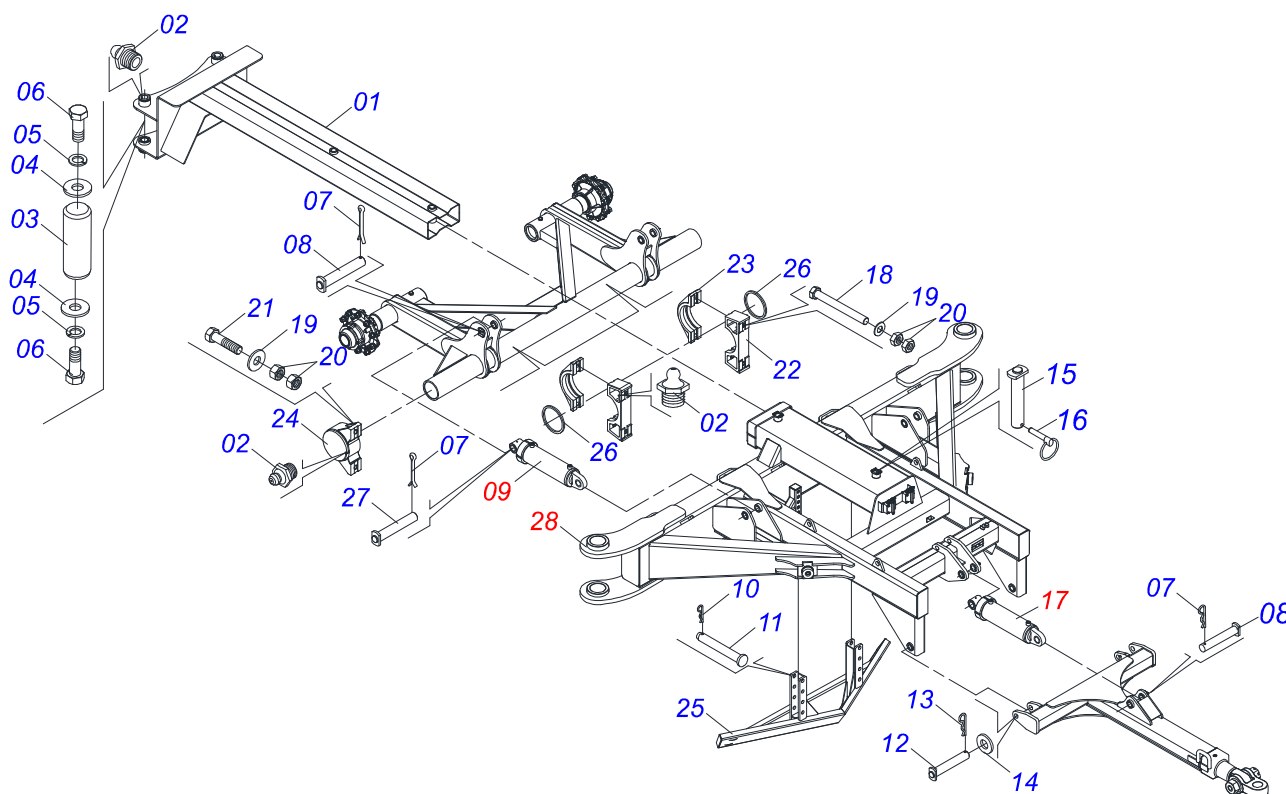
Item	Code	Description	See page	QT
01	0521068240	LEFT REAR FRAME		01
02	0503034889	ADHESIVE LABEL		01
03	0503034890	ADHESIVE LABEL		01



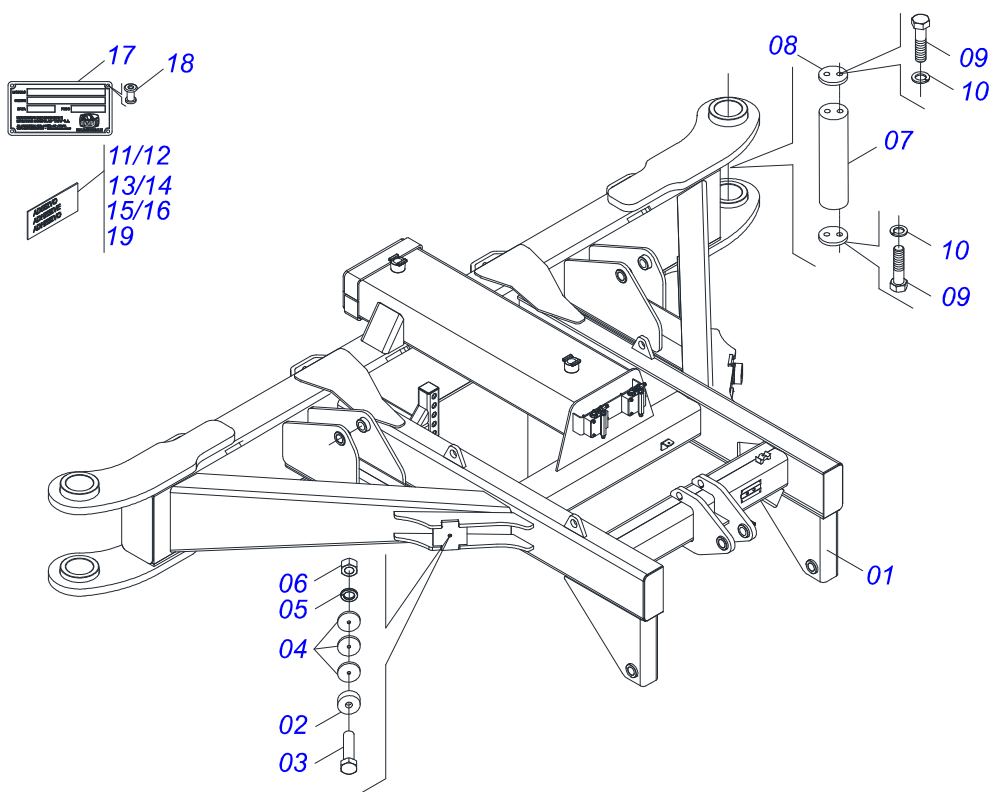
Item	Code	Description	See page	QT
01	0521068238	LEFT REAR FRAME		01
02	0503034889	ADHESIVE LABEL		01
03	0503034890	ADHESIVE LABEL		01



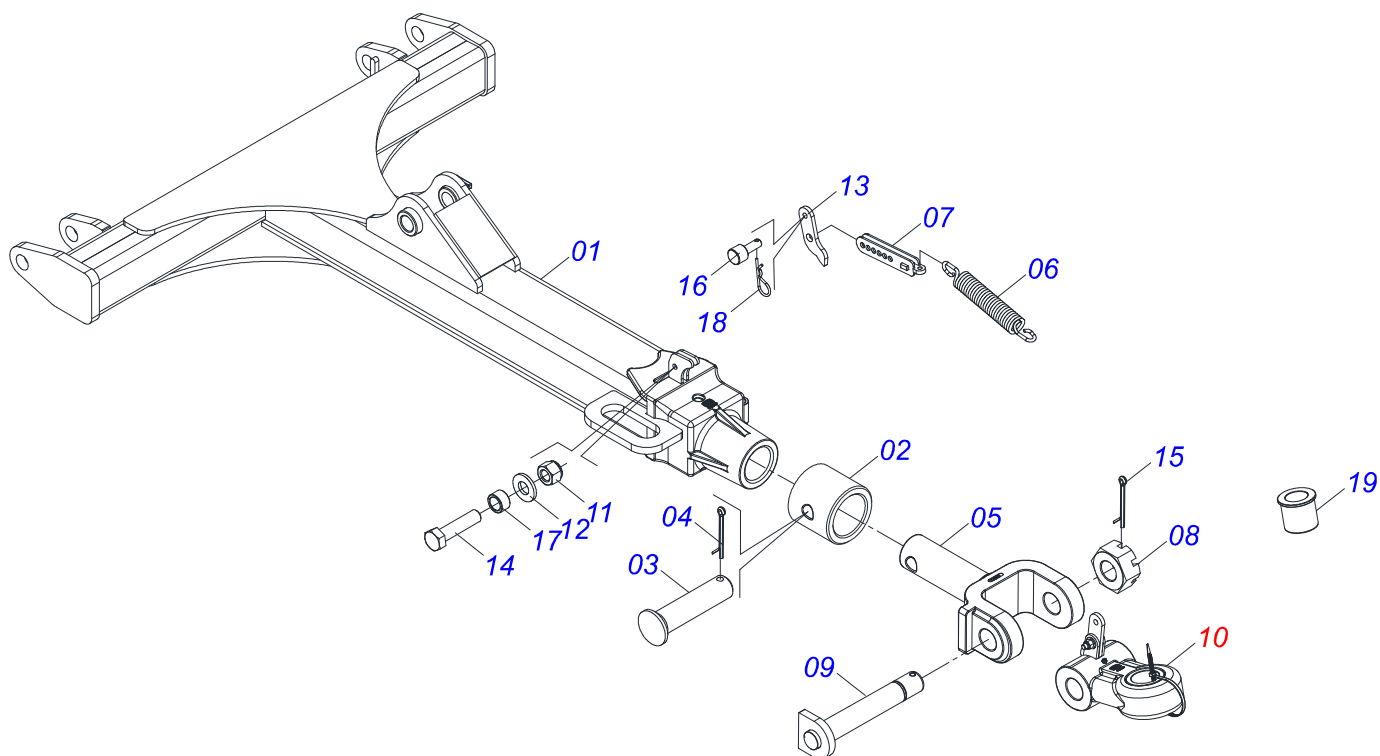
Item	Code	Description	See page	QT
01	0521068213	FRAME FRONT LEFT		01
02	0503034611	BADGE		01
03	0503034196	BADGE		01



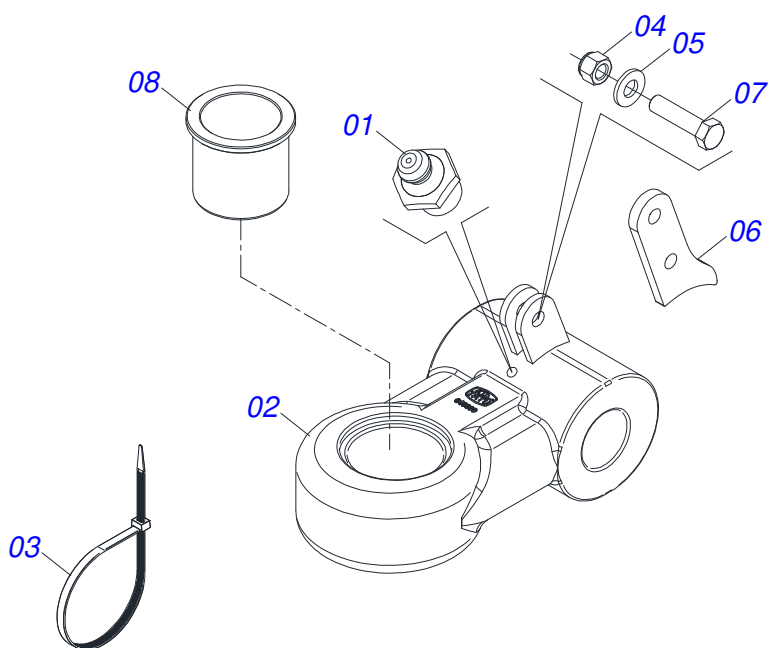
Item	Code	Description	See page	QT
01	0521068215	FIXER		01
02	0503010002	1800 GREASE FITTING		08
03	0581015493	COUPLING SHAFT		02
04	0521011565	FLAT WASHER		04
05	0503010012	1" SPRING WASHER		02
06	0503011250	1" X 2" BOLT		04
07	0503010534	3/8 X 2-1/2 COTTERPIN		08
08	0521062684	PIVOT SHAFT		04
09	0521051916	HYDRAULIC CYLINDER 53,98 X 114,30 X 654 X 296	40	02
10	0503031470	TM 251 X 4,0 STAPLE		02
11	0521017413	PIN WITH HEAD PN-357		02
12	0521062685	ARTICULATION AXIS		02
13	0503031035	HITCH PIN CLIP		02
14	0501017547	FLAT WASHER		02
15	0521068227	PIVOT SHAFT		02
16	0503030430	7/16 X 2" PIN LOCK		02
17	0521051832	HYDRAULIC CYLINDER 53,98 X 114,30 X 654 X 346		01
18	0511016281	3/4" X 8" BOLT		04
19	0521013710	WASHER SEMIMAN		08
20	0503010417	7/8" NUT		16
21	0503013310	7/8 X 4 BOLT		04
22	0502011725	UPPER BEARING SEMI		02
23	0502011724	INF BEARING SEMI		02
24	0502011588	AXLE WHEEL BEARING		02
25	0511064092	SET SLIDE		01
26	0503012223	FELT RING		02
27	0521068232	ARTICLE AXLE ROLLED		02
28	0521049288	CENTRAL FRAME SEMI MOUNTED	17	01



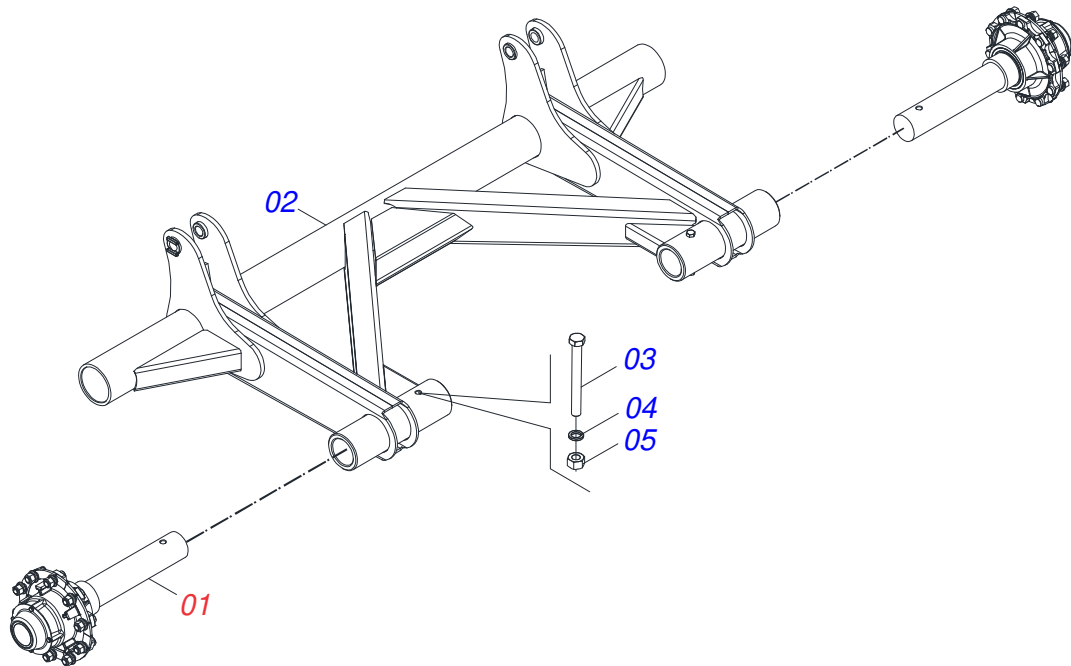
Item	Code	Description	See page	QT
01	0521069866	FRAME		01
02	0521011481	FRAME BATTERY		02
03	0503010233	5/8" X 2-1/2" BOLT		02
04	0571013284	17.5 X 90 X 4.75 FLAT WASHER		06
05	0503010027	5/8 SPRING WASHER		02
06	0503010013	5/8 NUT		02
07	0581015521	AXLE PIVOT		02
08	0581015520	COVER		04
09	0503013390	3/4" UNC BOLT		08
10	0503010023	3/4" SPRING WASHER		08
11	0503034891	LABEL ADHESIVE		01
12	0503031428	READ MANUAL DECAL		01
13	0503033038	DANGER SIGN		02
14	0503031087	ADHESIVE LABEL		01
15	0503034078	LIFTING POINTS DECAL		08
16	0503031827	LUBRICATE AND RETIGHTEN DAILY DECAL		01
17	0503034003	SERIAL NUMBER TAG 61 X 118		01
18	0503010001	3.2 X 5.5 RIVET		04
19	0503031739	ADHESIVE LABEL		01



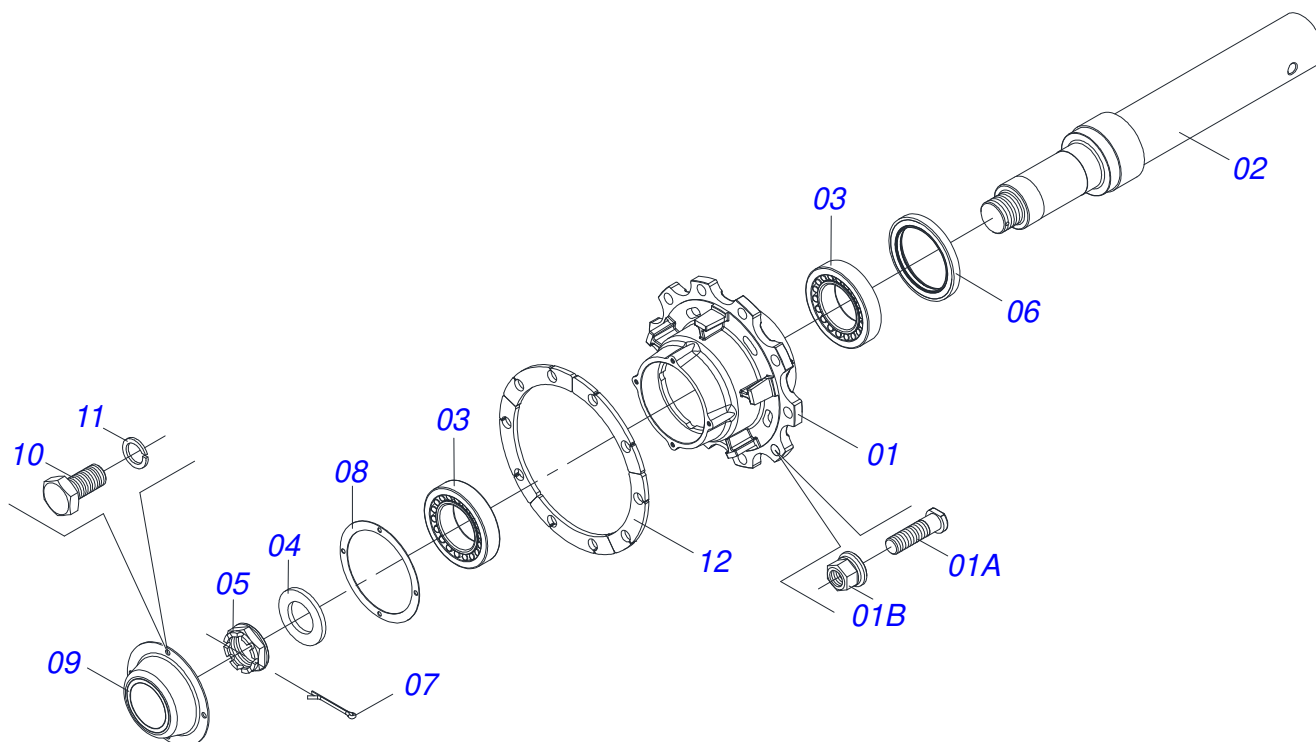
Item	Code	Description	See page	QT
01	0521068224	DRAWBAR		01
02	0502040263	ANEL TRAVA ENGATE		01
03	0561017306	COUPLING SHAFT		01
04	0503010523	1/4" X 2" COTTERPIN		01
05	0502040849	U COUPLING		01
06	0503031741	1.8" X 11.4" 0.3" TRACTION SPRING		01
07	0531061607	SPRING REGULATOR		01
08	0502040558	2" CASTLE NUT		01
09	0531061122	AXIS ARTICULATOR		01
10	0531040171	ASSY HITCH	19	01
11	0503010589	1/2" UNC SELF ADJUSTING NUT		01
12	0501010937	13,50 X 28 X 3,00 FLAT WASHER		01
13	0591014554	REAR EAR FIXING SPRING		01
14	0503010740	BOLT 1/2 UNC X 2 CS G.5 ZN		01
15	0503010074	3/8 X 0,15" COTTERPIN		01
16	0591014558	SPRING REGULATOR FIXER AXLE		01
17	0591014552	SLEEVE		01
18	0503030285	HITCH PIN CLIP		01
19	0591013086	SLEEVE		01



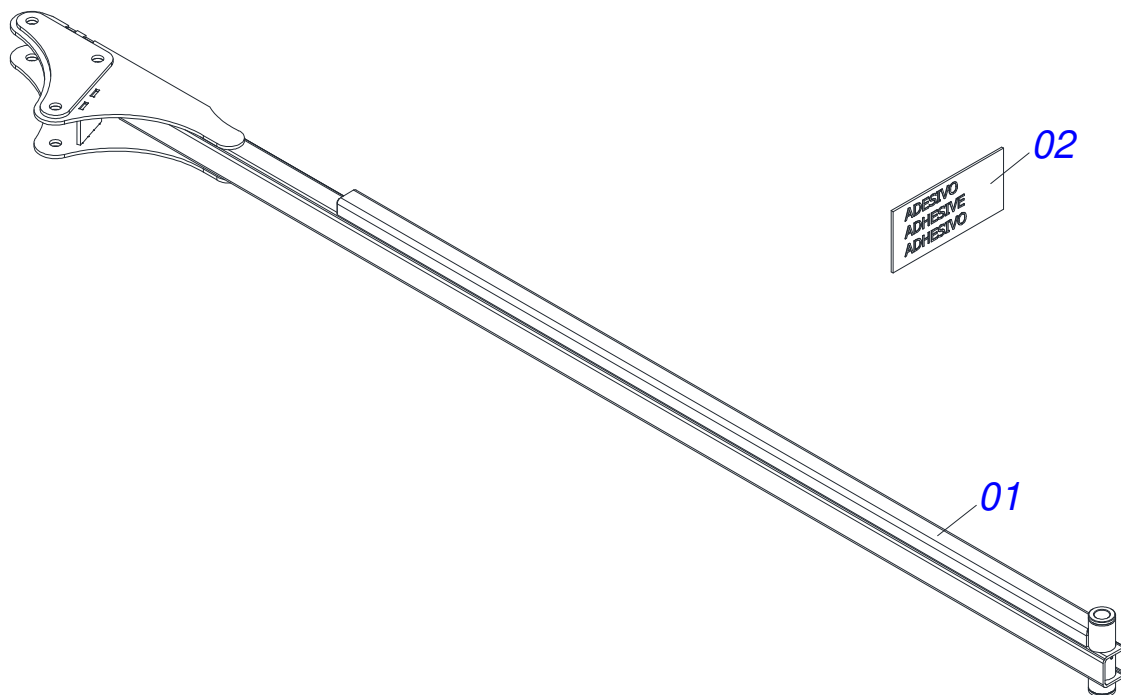
Item	Code	Description	See page	QT
01	0503010002	1800 GREASE FITTING		01
02	0531061121	HITCH		01
03	0503018829	NYLON CLAMP		01
04	0503010589	1/2" UNC SELF ADJUSTING NUT		01
05	0501010937	13,50 X 28 X 3,00 FLAT WASHER		01
06	0591014555	FRONT EAR FIXING SPRING		01
07	0503010740	BOLT 1/2 UNC X 2 CS G.5 ZN		01
08	0591013448	SLEEVE		01



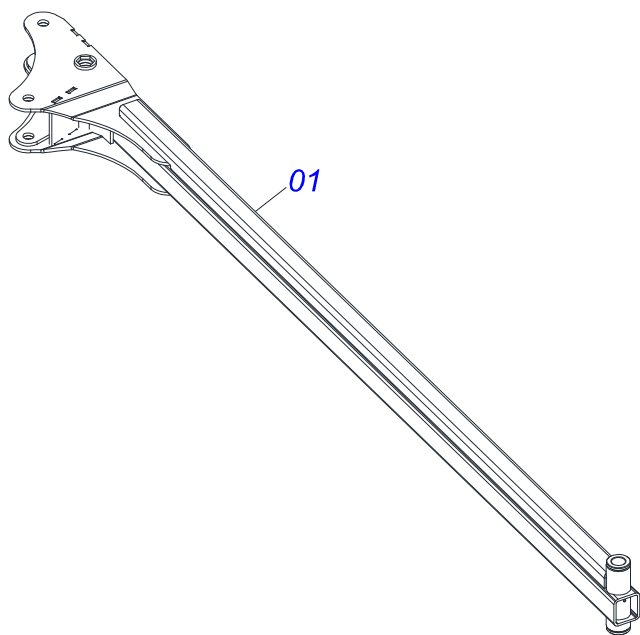
Item	Code	Description	See page	QT
01	0521042416	JOINT CUBE OF THE WHEEL ASSY	21	02
02	0521068237	CARRYING-WHEELS		01
03	0501010164	3/4" X 7 BOLT		02
04	0503010023	3/4" SPRING WASHER		02
05	0503010014	3/4" HEX NUT		02



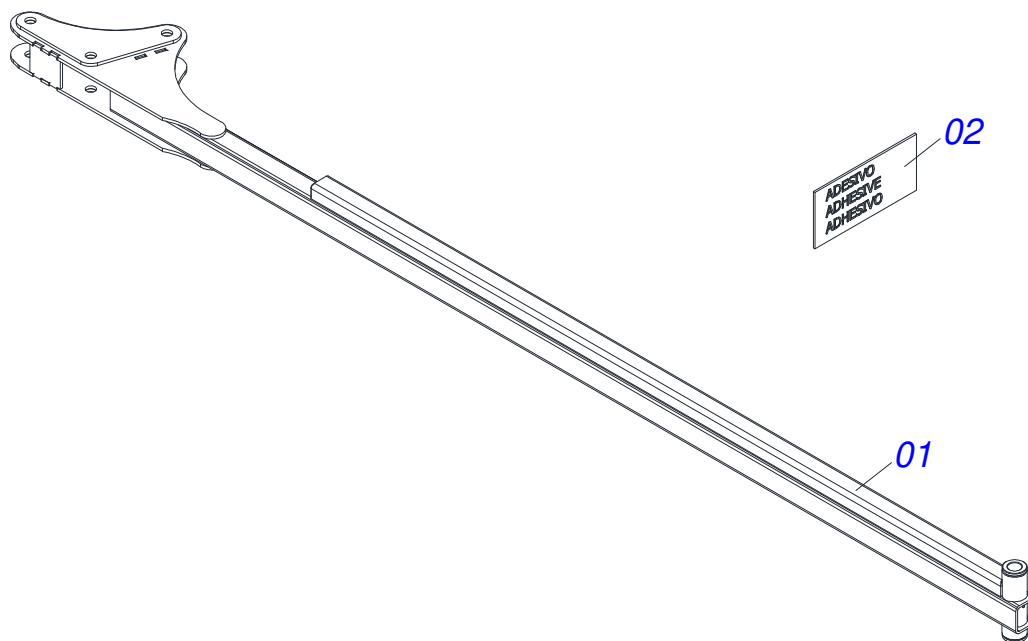
Item	Code	Description	See page	QT
01	0501110761	HUB AND BOLT		01
01A	0503014050	22 X 1.5 BOLT		10
01B	0503014048	22 X 1.5 HEX NUT		10
02	0571014258	SPINDLE		01
03	0503010118	32218 BEARING		02
04	0531019986	64 X 110 X 9.5 FLAT WASHER		01
05	0502040080	FLANGE NUT R.2.1/2 UN		01
06	0503013541	RETAINER		01
07	0503012213	1/4" COTTERPIN		01
08	0503013548	JOINT CORK		01
09	0503013549	HUB COVER		01
10	0503013546	BOLT SX MA5,8 M10X1,5X20ZA DI		04
11	0503013542	M10 SPRING WASHER		04
12	0561015521	FLANGE		05



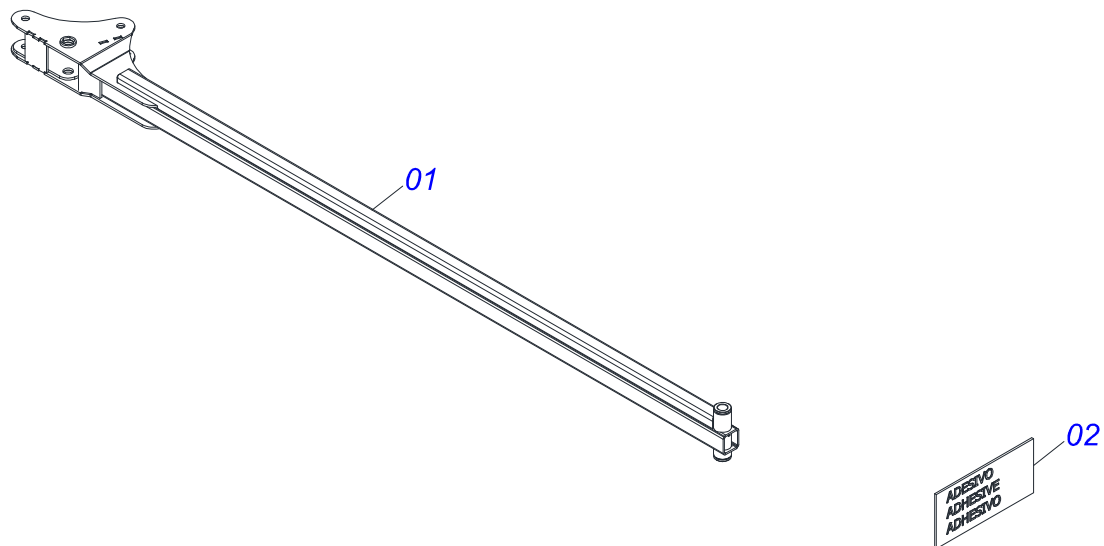
Item	Code	Description	See page	QT
01	0521068221	FRONT STABILIZER BAR		01
02	0503034505	ADHESIVE LABEL		01



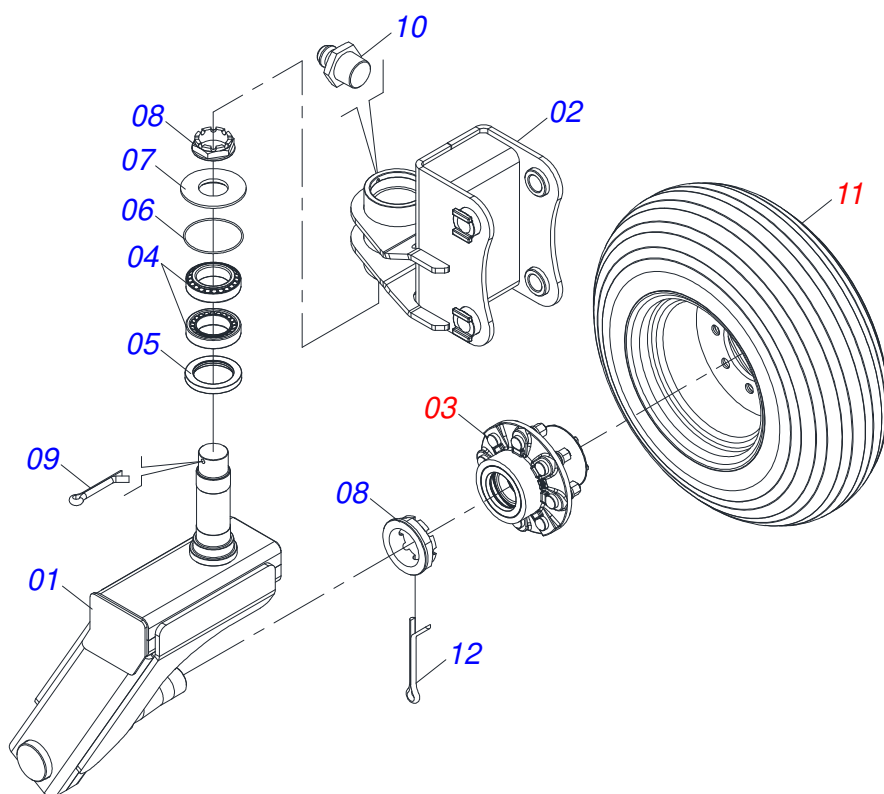
Item	Code	Description	See page	QT
01	0521068265	FRONT STABILIZER BAR		01
02	0503034505	ADHESIVE LABEL		01



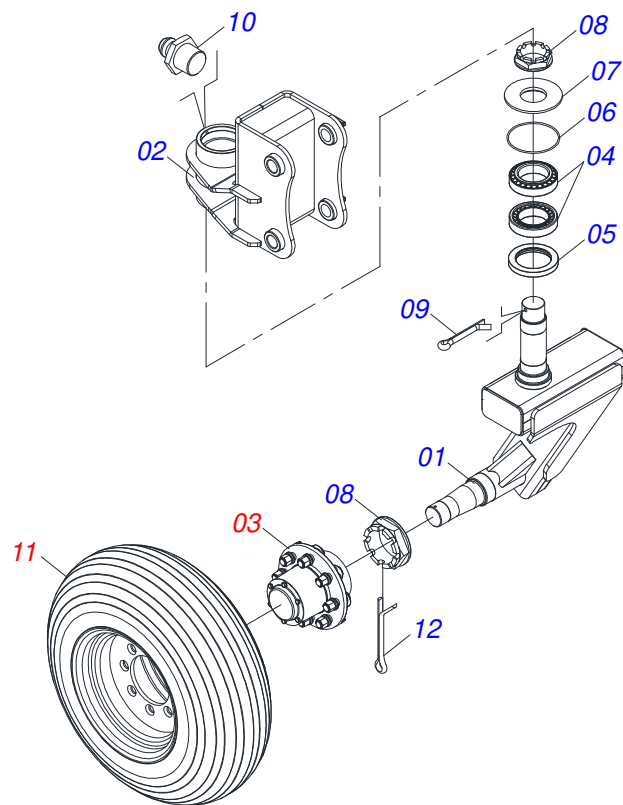
Item	Code	Description	See page	QT
01	0521068218	FRONT STABILIZER BAR		01
02	0503034505	ADHESIVE LABEL		01



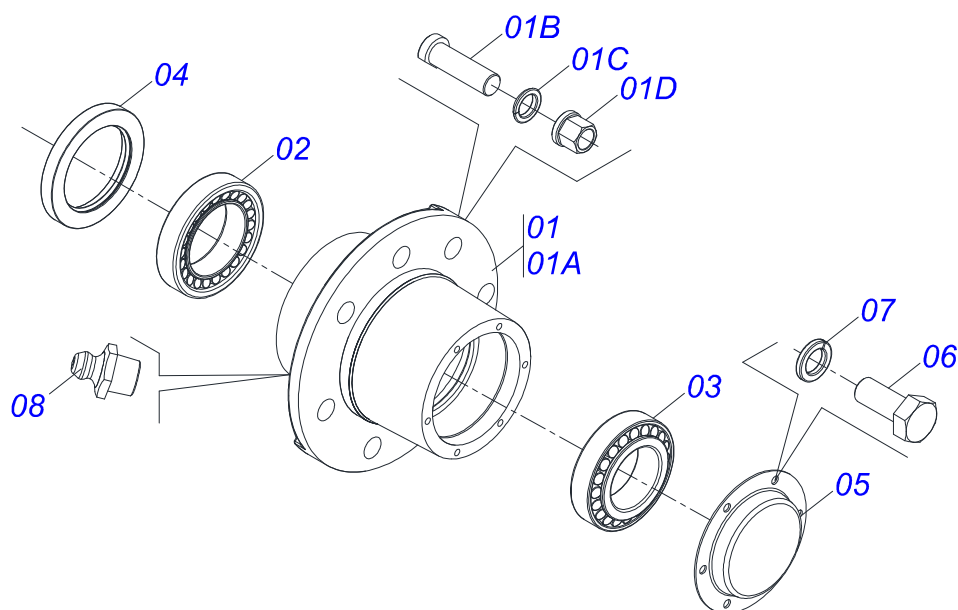
Item	Code	Description	See page	QT
01	0521068266	FRONT STABILIZER BAR		01
02	0503034505	ADHESIVE LABEL		01



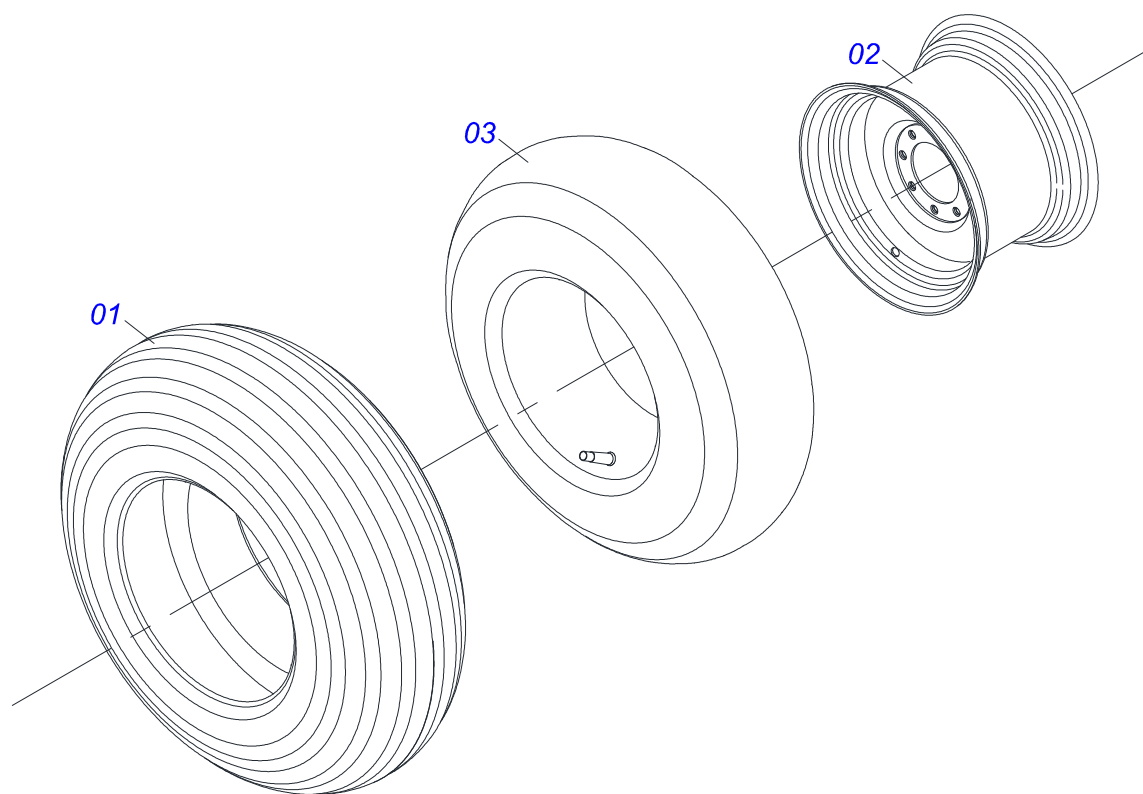
Item	Code	Description	See page	QT
01	0521068909	LEFT WHEELED ARM		01
02	0521068190	ARTICULATION		01
03	0501052497	CARRYING WHEEL HUB ASSY	28	01
04	0503010059	33287/33462 ROLLER BEARING		02
05	0503010050	SEAL 00085-B		01
06	0503012314	2-248 1G05195 O'RING		01
07	0541016926	HUB COVER		01
08	0502040080	FLANGE NUT R.2.1/2 UN		02
09	0503010073	3/8 X 3-1/2 COTTERPIN		01
10	0503010002	1800 GREASE FITTING		02
11	0503062778	WHEEL WITH TIRE	29	01
12	0503011345	1/4" X 3-1/2" COTTERPIN		01



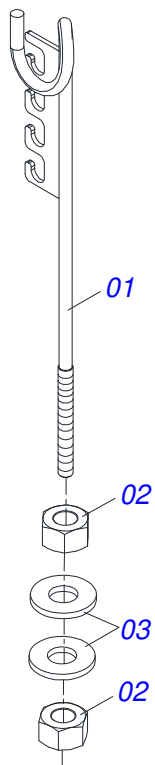
Item	Code	Description	See page	QT
01	0521068903	RIGHT WHEEL ARM		01
02	0531061712	ARTICULATION		01
03	0501052497	CARRYING WHEEL HUB ASSY	28	01
04	0503010059	33287/33462 ROLLER BEARING		02
05	0503010050	SEAL 00085-B		01
06	0503012314	2-248 1G05195 O'RING		01
07	0541016926	HUB COVER		01
08	0502040080	FLANGE NUT R.2.1/2 UN		02
09	0503010073	3/8 X 3-1/2 COTTERPIN		01
10	0503010002	1800 GREASE FITTING		02
11	0503062778	WHEEL WITH TIRE	29	01
12	0503011345	1/4" X 3-1/2" COTTERPIN		01



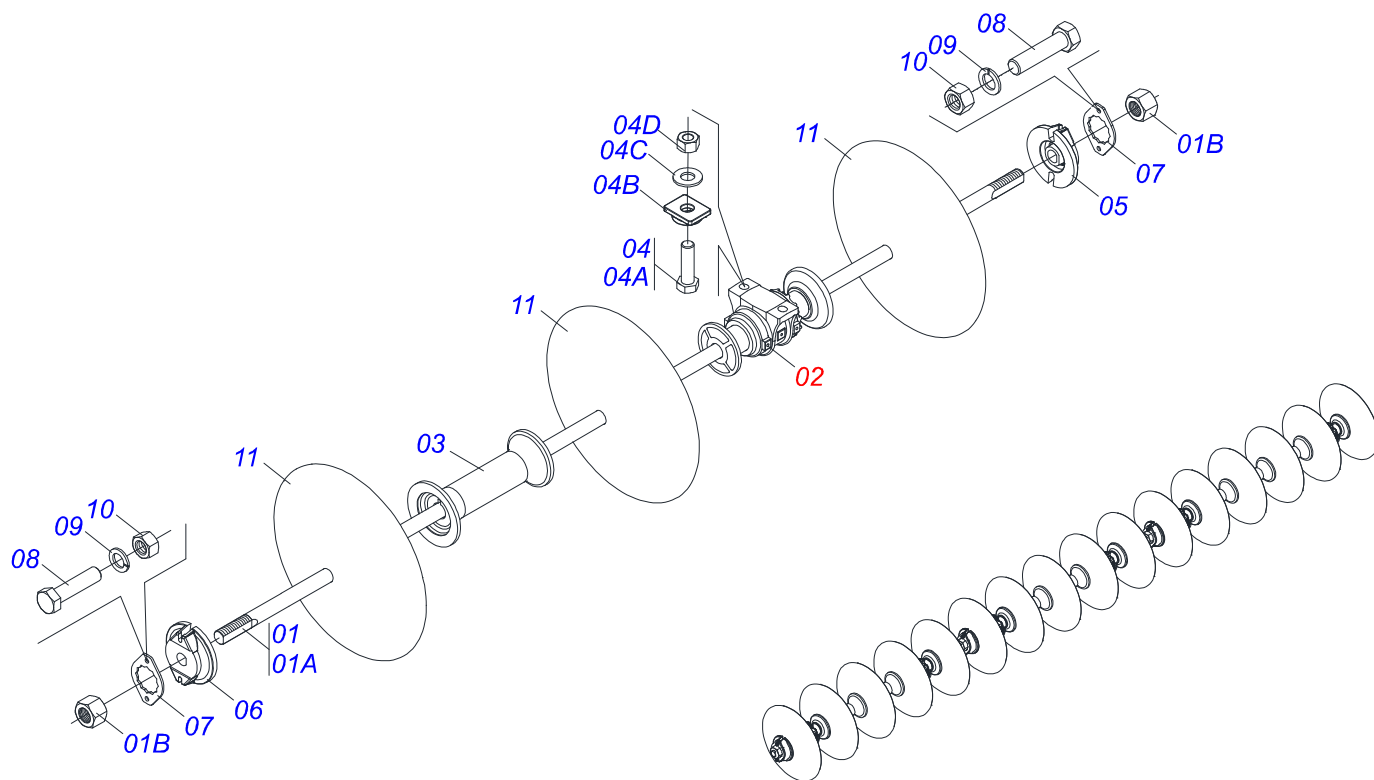
Item	Code	Description	See page	QT
01	0501110751	HUB AND SPINDLE WITH BOLT		01
01A	0502040522	HUB CARRYING-WHEELS		01
01B	0503011339	M22 X 1,5 X 72 BOLT		08
01C	0503011340	SPHERICAL SPRING WASHER		08
01D	0503011341	M22 X 0.6" NUT GR8		08
02	0503010059	33287/33462 ROLLER BEARING		01
03	0503010007	3982/3920 ROLLER BEARING		01
04	0503010050	SEAL 00085-B		01
05	0541013225	WHEEL BOX COVER		01
06	0503010240	BOLT		06
07	0503011444	SPRING WASHER		06
08	0503010002	1800 GREASE FITTING		01



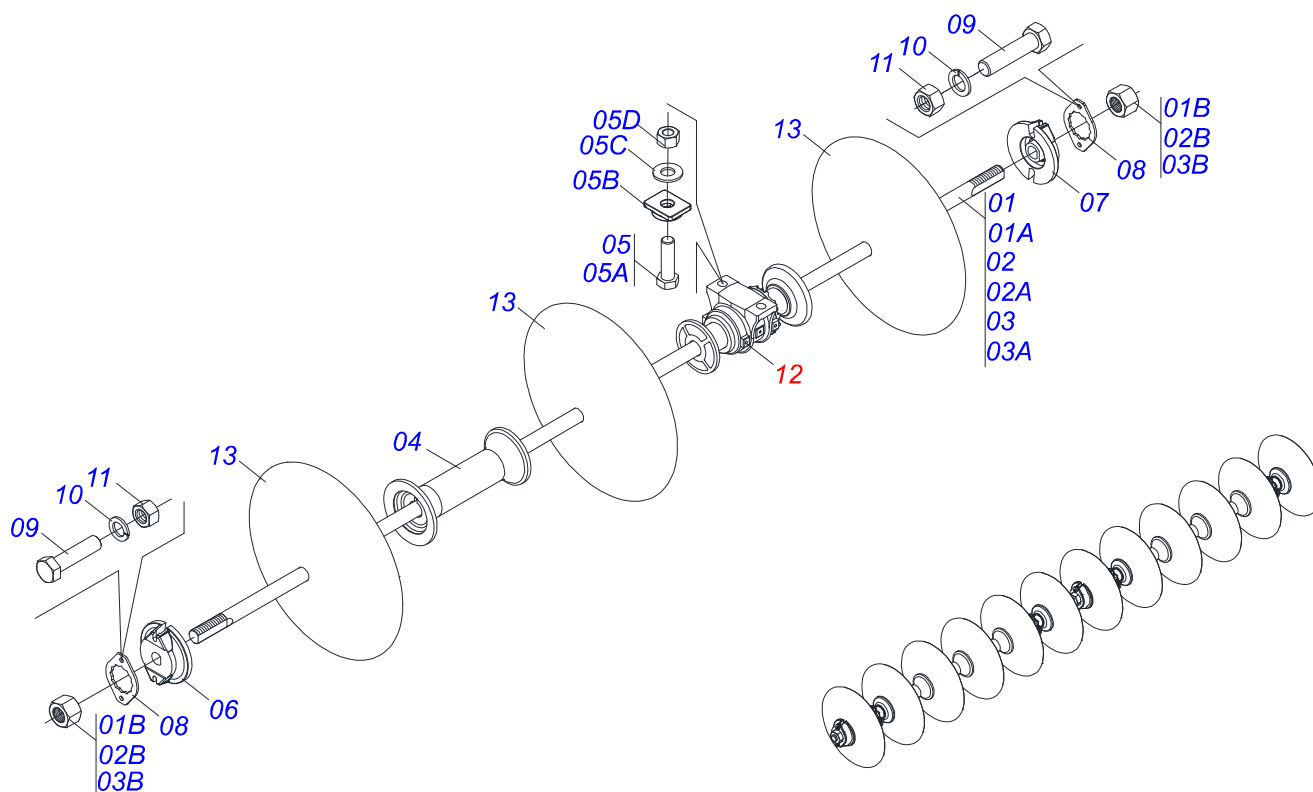
Item	Code	Description	See page	QT
01	0503010858	CANVAS TIRE		01
02	0503062771	WHEEL		01
03	0503010860	AIR CHAMBER 11L 15		01



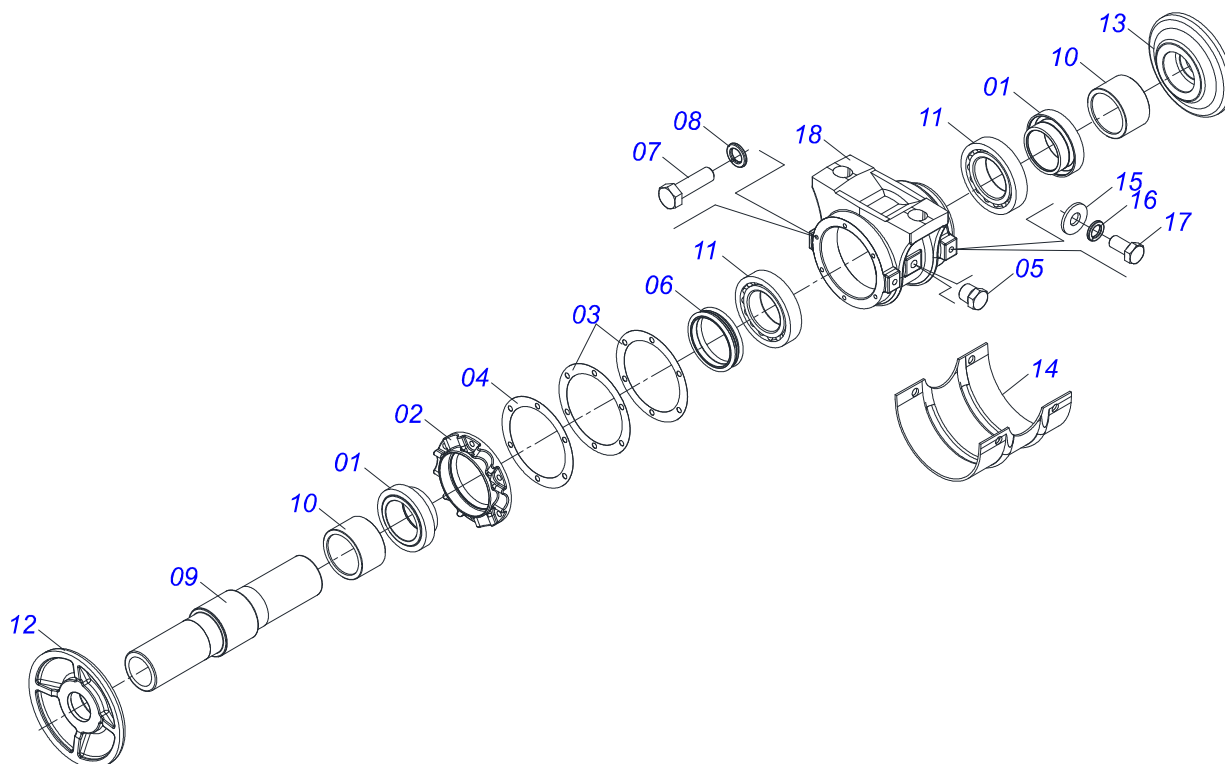
Item	Code	Description	See page	QT
01	0511067334	HOSE SUPPORT		01
02	0503010014	3/4" HEX NUT		02
03	0501010322	FLAT WASHER		02



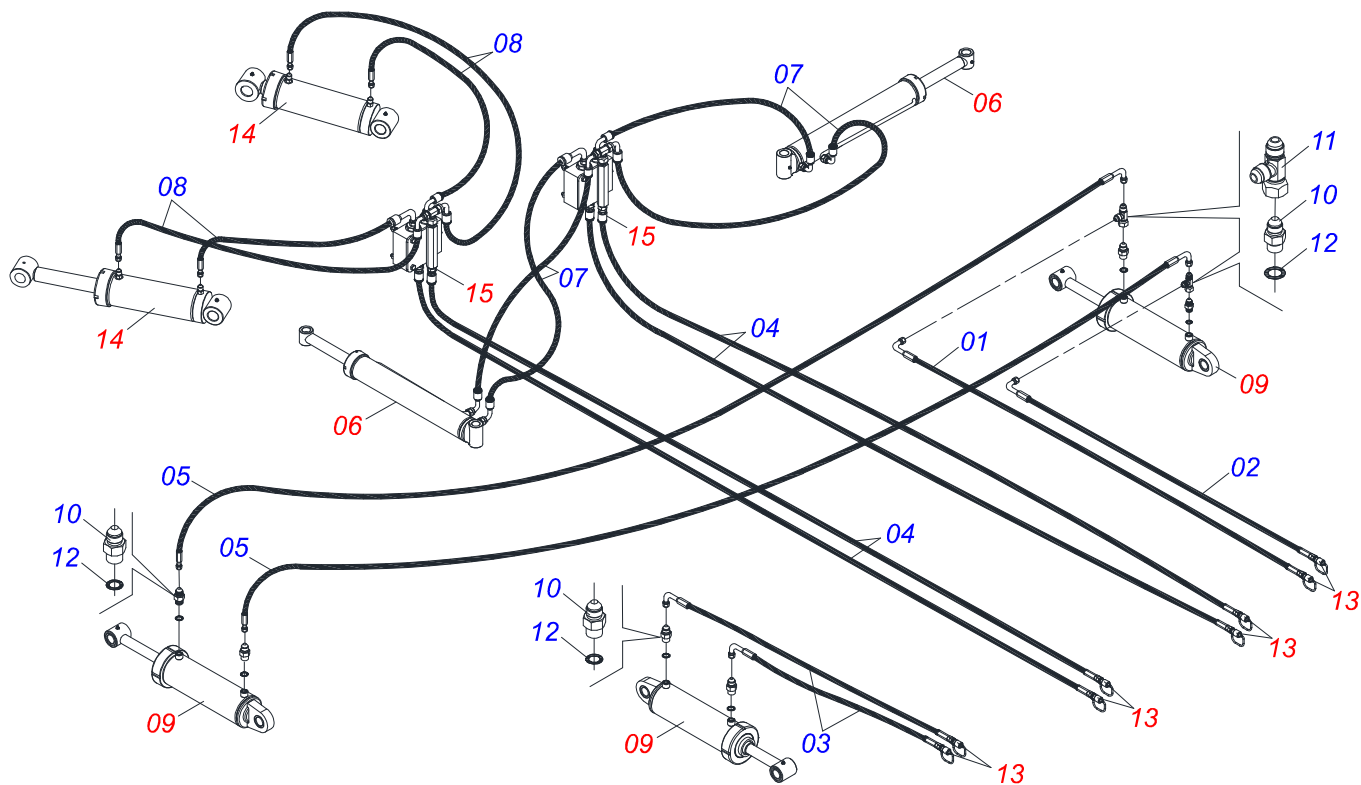
Item	Code	Description	See page	40	44	48	52	56
01	0511052146	2-1/8 X 2495 AXLE WITH NUT	04	04	04	04	04	04
01A	0571012019	2-1/8 X 2495 AXLE	04	04	04	04	04	04
01B	0502040063	2-1/8" X 54 99 NUT	08	08	08	08	08	08
02	0521041852	AGRICULTURAL BEARING	08	08	08	08	08	08
03	0502012711	447 SPACER	12	12	12	12	12	12
04	0501042139	1" X 4.3" ASSY BOLT	08	08	08	08	08	08
04A	0501011547	1" X 4-1/2" BOLT	08	08	08	08	08	08
04B	0502012861	1" SQUARE WASHER	08	08	08	08	08	08
04C	0541010210	FLAT WASHER	08	08	08	08	08	08
04D	0501010059	1.5/8 NUT	08	08	08	08	08	08
05	0502010594	2-1/8" EXTERNAL AXLE WASHER	04	04	04	04	04	04
06	0502010595	2-1/8" INNER AXLE WASHER	04	04	04	04	04	04
07	0541010368	NUT LOCK	08	08	08	08	08	08
08	0503010232	5/8" X 1.3/4" BOLT	16	16	16	16	16	16
09	0503010027	5/8 SPRING WASHER	16	16	16	16	16	16
10	0503010013	5/8 NUT	16	16	16	16	16	16
11	0601039004	26" X 0.2" PLAIN DISC BLADE	24	24	24	24	24	24
11.	0601037002	PLAIN DISC BLADE	24	24	24	24	24	24



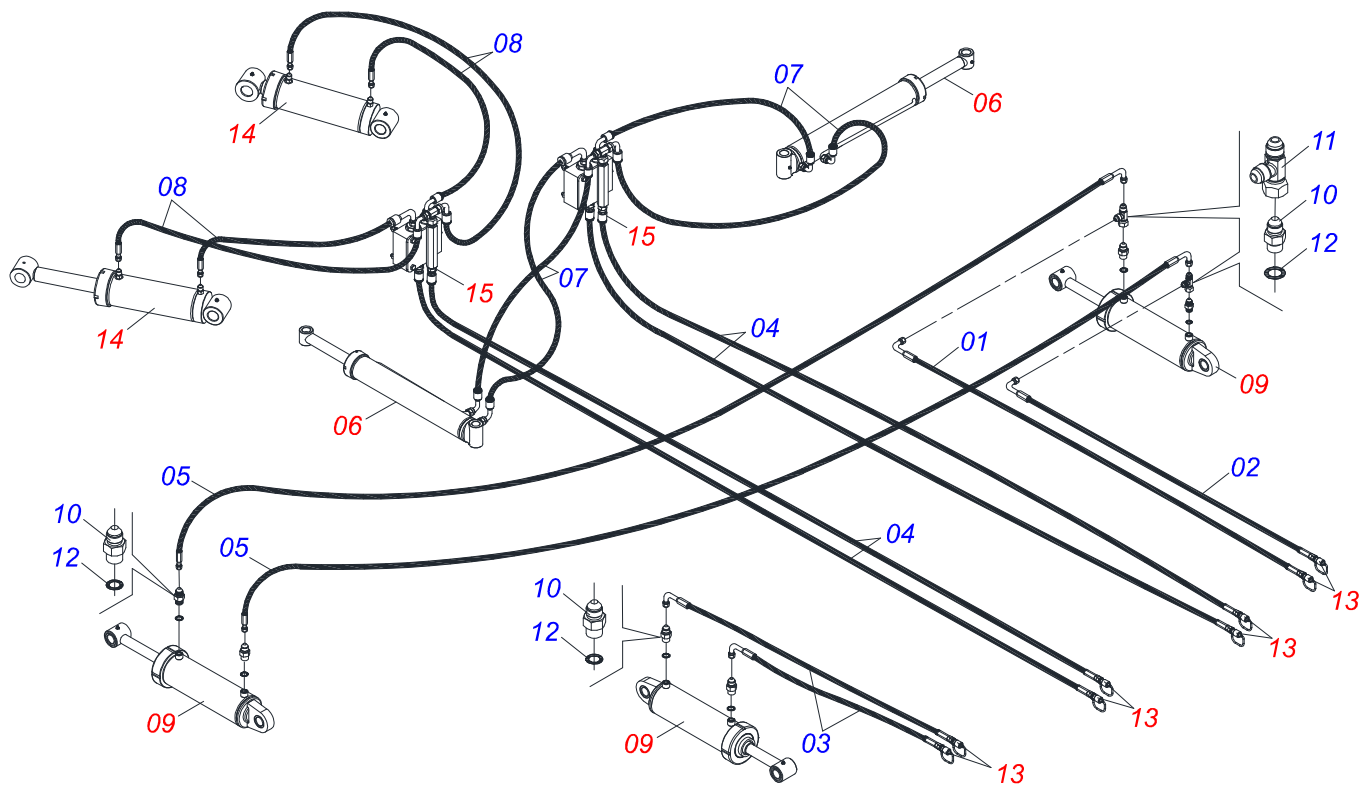
Item	Code	Description	See page	40	44	48	52	56
01	0511053649	2-1/8 X 2045 AXLE WITH NUT		00	00	00	00	04
01A	0571014259	2-1/8 X 2495 AXLE		00	00	00	00	04
01B	0502040063	2-1/8" X 54 99 NUT		00	00	00	00	08
02	0511047064	2-1/8" X 1580 AXLE		02	02	00	04	00
02A	0551017147	2-1/8" X 1580 AXLE		02	02	00	04	00
02B	0502040063	2-1/8" X 54 99 NUT		08	12	00	08	00
03	0511052146	2-1/8 X 2495 AXLE WITH NUT		04	04	04	04	04
03A	0571012019	2-1/8 X 2495 AXLE		04	04	04	04	04
03B	0502040063	2-1/8" X 54 99 NUT		08	08	08	08	08
04	0502012711	447 SPACER		04	08	12	10	14
05	0501042139	1" X 4.3" ASSY BOLT		08	08	08	08	08
05A	0501011547	1" X 4-1/2" BOLT		08	08	08	08	08
05B	0502012861	1" SQUARE WASHER		08	08	08	08	08
05C	0541010210	FLAT WASHER		08	08	08	08	08
05D	0501010059	1.5/8 NUT		08	08	08	08	08
06	0502010594	2-1/8" EXTERNAL AXLE WASHER		04	04	04	06	06
07	0502010595	2-1/8" INNER AXLE WASHER		04	04	04	06	06
08	0541010368	NUT LOCK		08	08	08	08	08
09	0503010232	5/8" X 1.3/4" BOLT		16	16	16	24	24
10	0503010027	5/8 SPRING WASHER		16	16	16	24	24
11	0503010013	5/8 NUT		16	16	16	24	24
12	0521041797	OIL BATH BEARING 450 X 2.1/8	33	08	08	08	12	12
13	0601039004	26" X 0.2" PLAIN DISC BLADE		16	20	24	28	32
13.	0601037002	PLAIN DISC BLADE		16	20	24	28	32



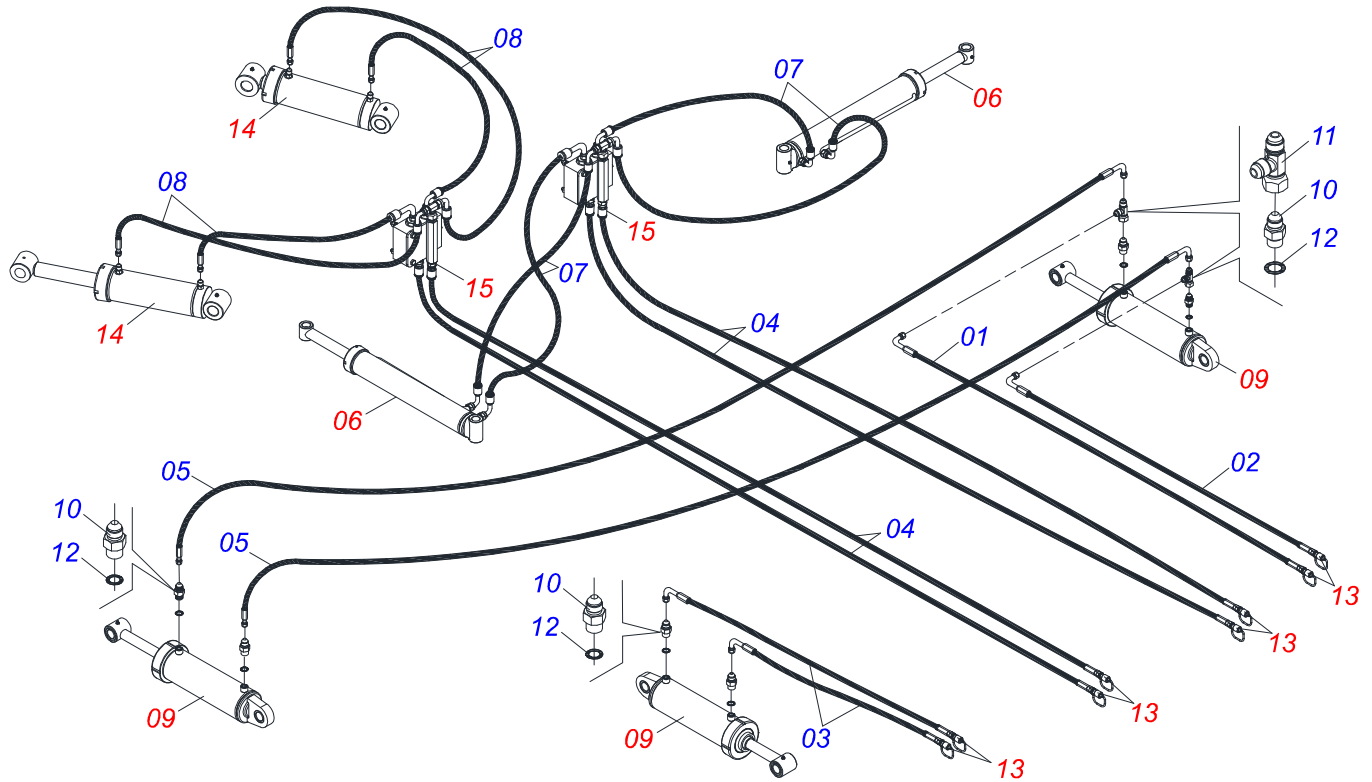
Item	Code	Description	See page	QT
01	0502040123	SEAL RETAINER		02
02	0502010645	HOUSING CAP DM		01
03	0503030536	7.1" X 5.5" X 0.01" JOINT		02
04	0503030686	7.1" X 5.5" X 0.004" JOINT		01
05	0503010856	OIL PLUG		02
06	0503030028	JB-257 SEAL		02
07	0503010751	C3/8" X 1.1/4" HEX BOLT G.5		06
08	0503011443	3/8" SPRING WASHER		06
09	0502012712	AXLE BEARING		01
10	0571013127	SPACER SLEEVE		02
11	0503010117	32216 ROLLER BEARING		02
12	0502040260	OUTER FLANGE		01
13	0502040261	INNER FLANGE		01
14	0511013169	PROTECTION COVER BEARING		01
15	0511017302	FLAT WASHER 13,50 X 32,50 X 3,0 ZN		04
16	0503010019	1/2" SPRING WASHER		04
17	0503010834	1/2 X 1 BOLT		04
18	0502010742	HOUSING DM		01



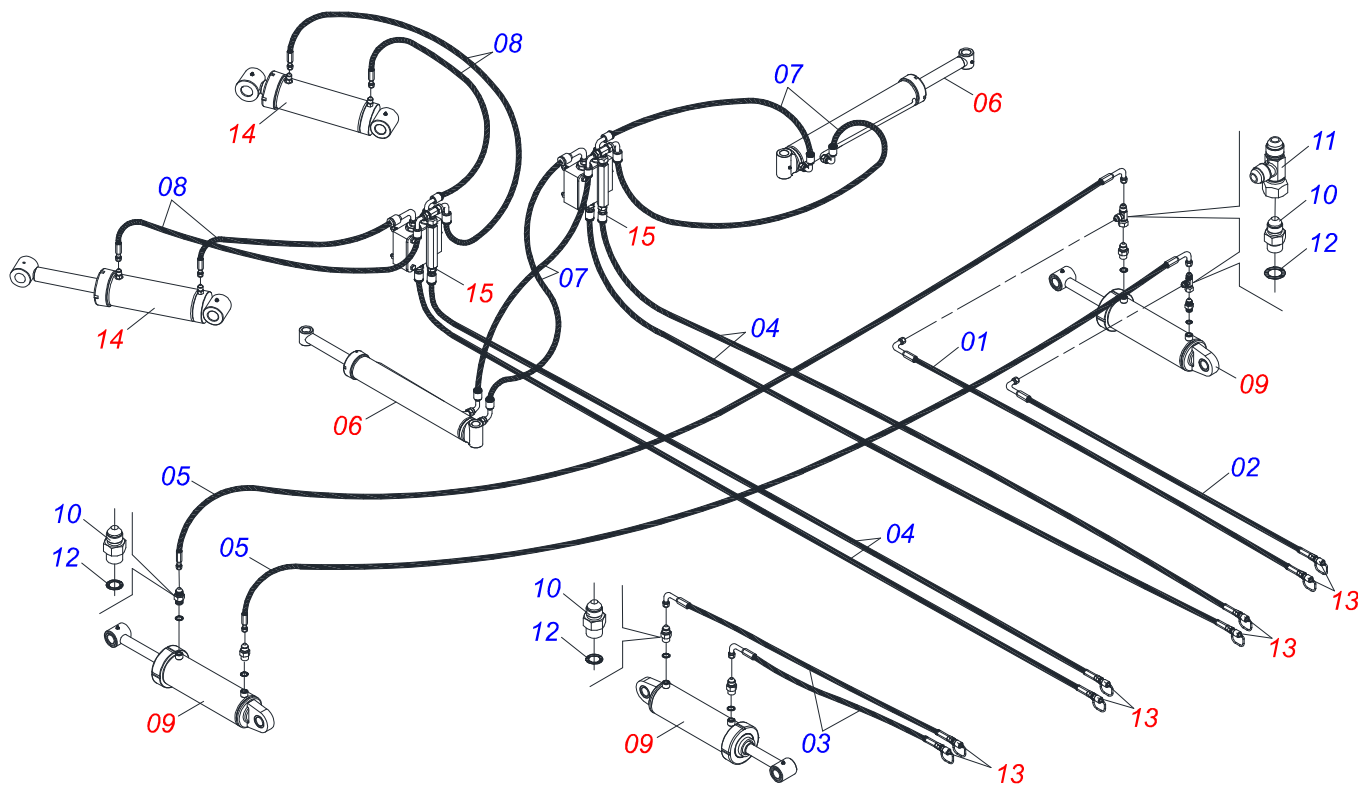
Item	Code	Description	See page	QT
01	0501082370	3/8 X 5400 HOSE TC-TM		01
02	0501082369	3/8 X 5000 HOSE TC-TM		01
03	0501080473	3/8" X 120" TC-TM HOSE		02
04	0501080361	3/8" X 157" TR-TM HOSE		04
05	0501080359	3/8" X 78.7" TR-TC HOSE ASSY		02
06	0521055446	HYDRAULIC CYLINDER	39	02
07	0501082185	3/8 X 9200 HOSE TC-TC		04
08	0501082379	HOSE 3/8 X 10000 TR-TC		04
09	0521051916	HYDRAULIC CYLINDER 53,98 X 114,30 X 654 X 296	40	03
10	0501010617	3/4" NIPPLE		06
11	0503011968	3/4" 8R6X-S T ADAPTER WITH SWIVEL NUT		02
12	0503010190	2-114 N 3006-9B O'RING		06
13	0501053834	MALE QUICK COUPLER	41	06
14	0521051917	HYDRAULIC CYLINDER 50,8 X 101,6 X 500 X 220	42	02
15	0511057534	FLOW DIVIDING VALVE		02



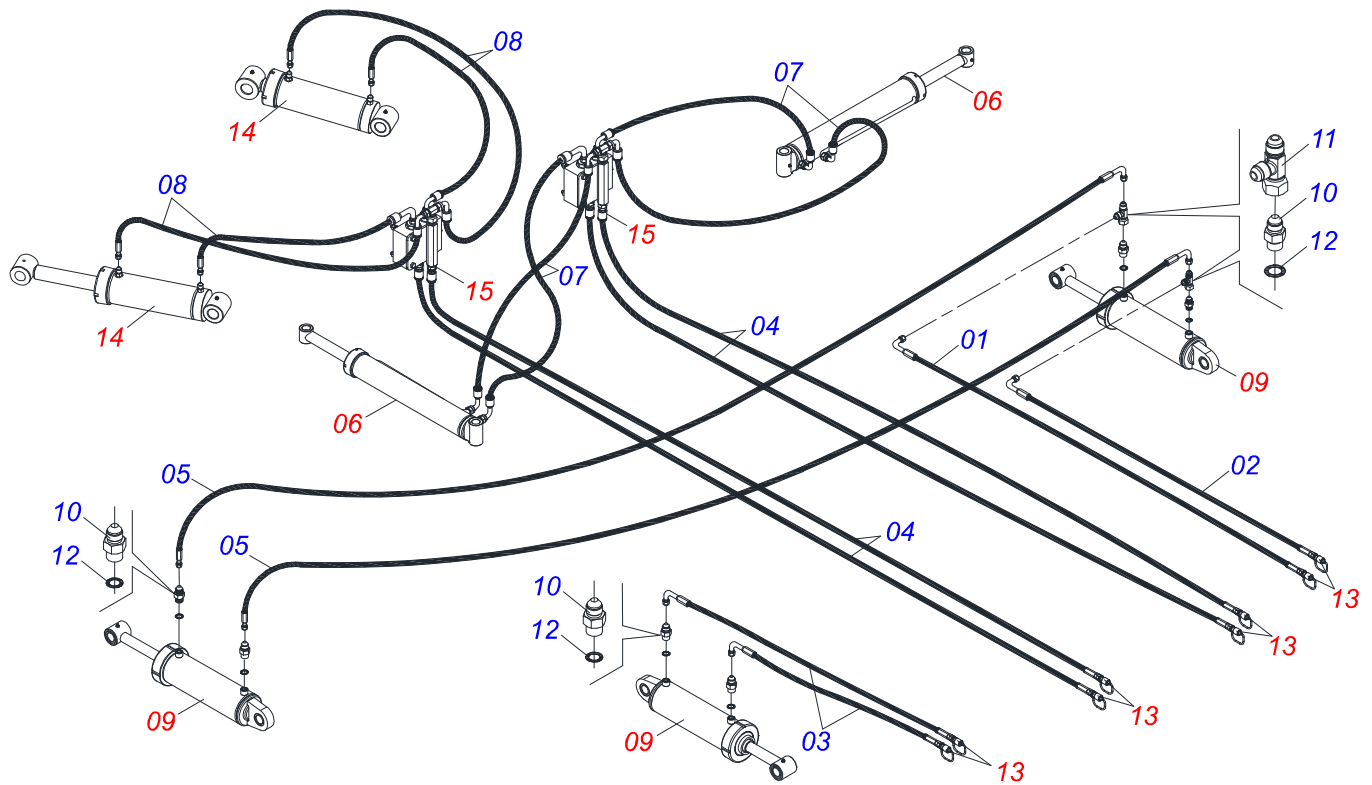
Item	Code	Description	See page	QT
01	0501082370	3/8 X 5400 HOSE TC-TM		01
02	0501082369	3/8 X 5000 HOSE TC-TM		01
03	0501080473	3/8" X 120" TC-TM HOSE		02
04	0501080361	3/8" X 157" TR-TM HOSE		04
05	0501080359	3/8" X 78.7" TR-TC HOSE ASSY		02
06	0521055446	HYDRAULIC CYLINDER	39	02
07	0501082185	3/8 X 9200 HOSE TC-TC		04
08	0501082217	3/8 X 11000 TR-TC HOSE		04
09	0521051916	HYDRAULIC CYLINDER 53,98 X 114,30 X 654 X 296	40	03
10	0501010617	3/4" NIPPLE		06
11	0503011968	3/4" 8R6X-S T ADAPTER WITH SWIVEL NUT		02
12	0503010190	2-114 N 3006-9B O'RING		06
13	0501053834	MALE QUICK COUPLER	41	06
14	0521051917	HYDRAULIC CYLINDER 50,8 X 101,6 X 500 X 220	42	02
15	0511057534	FLOW DIVIDING VALVE		02



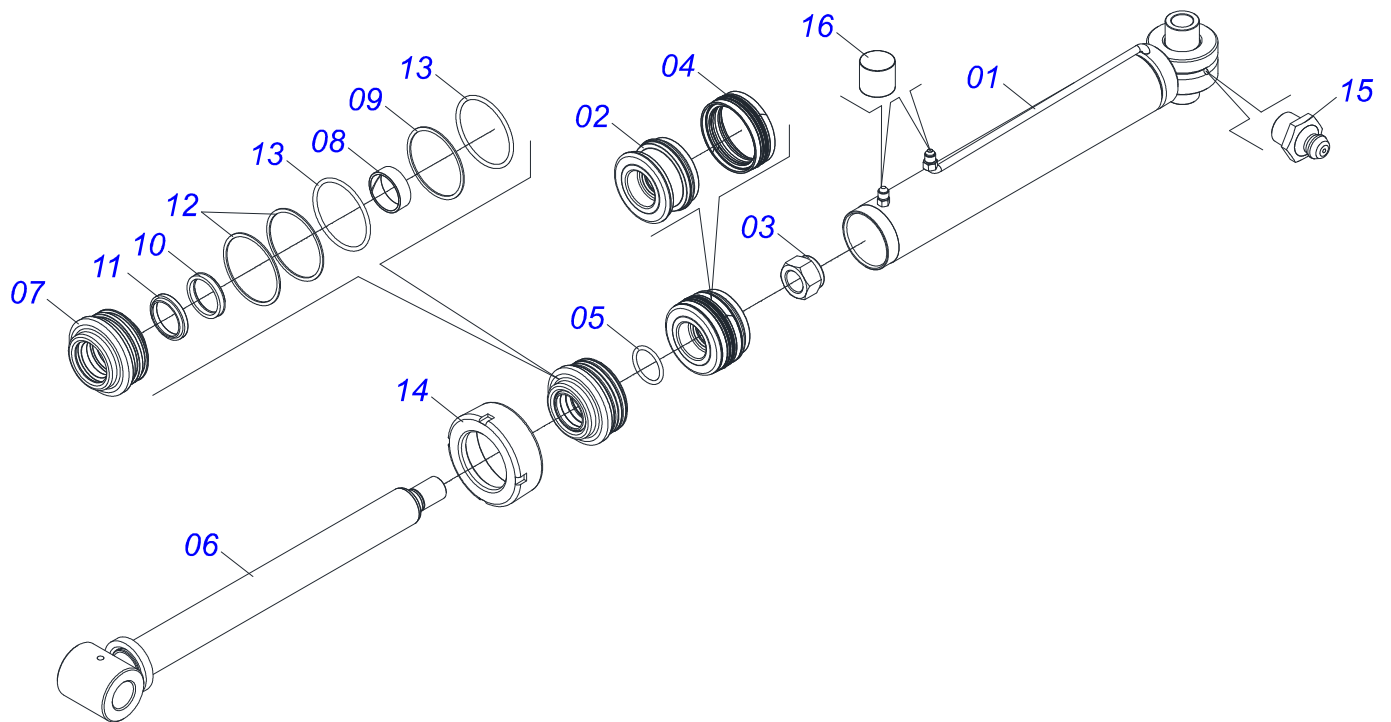
Item	Code	Description	See page	QT
01	0501082370	3/8 X 5400 HOSE TC-TM		01
02	0501082369	3/8 X 5000 HOSE TC-TM		01
03	0501080473	3/8" X 120" TC-TM HOSE		02
04	0501080361	3/8" X 157" TR-TM HOSE		04
05	0501080359	3/8" X 78.7" TR-TC HOSE ASSY		02
06	0521055446	HYDRAULIC CYLINDER	39	02
07	0501082185	3/8 X 9200 HOSE TC-TC		04
08	0501082226	3/8 X 12000 TR-TC HOSE		04
09	0521051916	HYDRAULIC CYLINDER 53,98 X 114,30 X 654 X 296	40	03
10	0501010617	3/4" NIPPLE		06
11	0503011968	3/4" 8R6X-S T ADAPTER WITH SWIVEL NUT		02
12	0503010190	2-114 N 3006-9B O'RING		06
13	0501053834	MALE QUICK COUPLER	41	06
14	0521051917	HYDRAULIC CYLINDER 50,8 X 101,6 X 500 X 220	42	02
15	0511057534	FLOW DIVIDING VALVE		02



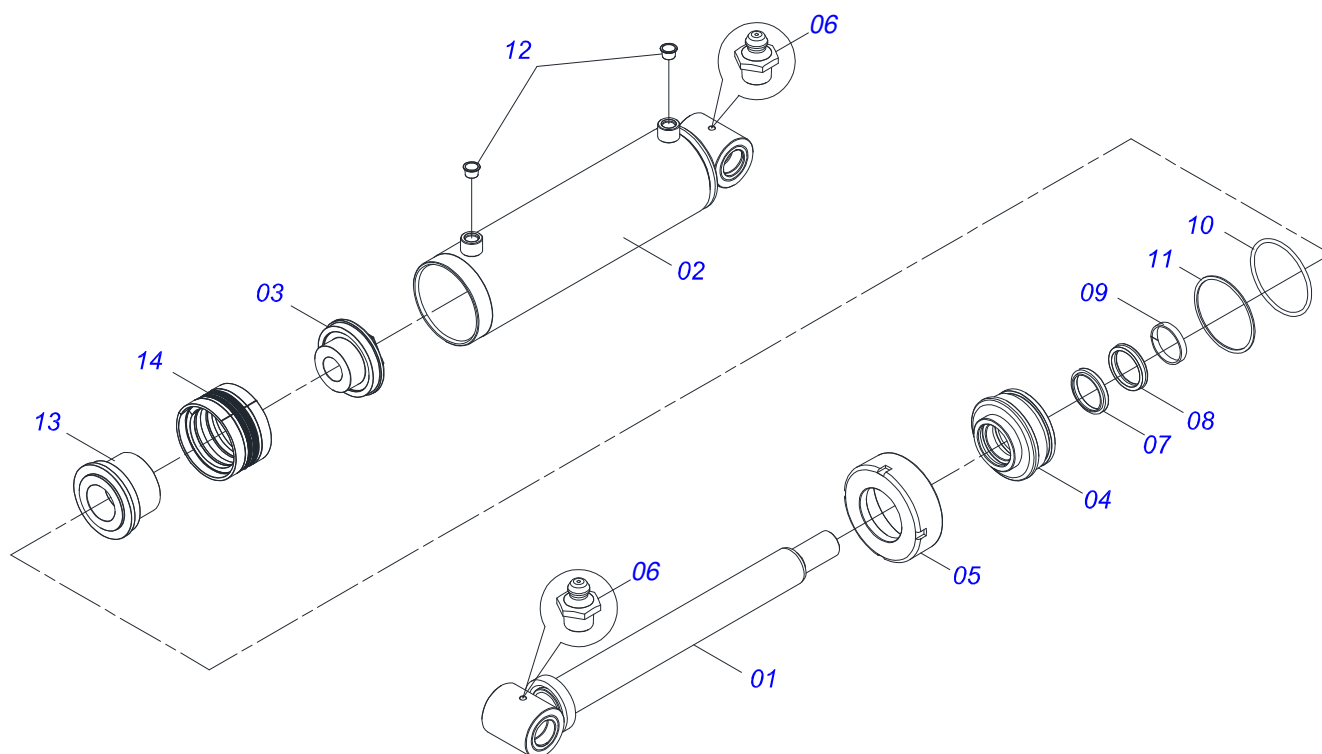
Item	Code	Description	See page	QT
01	0501082370	3/8 X 5400 HOSE TC-TM		01
02	0501082369	3/8 X 5000 HOSE TC-TM		01
03	0501080473	3/8" X 120" TC-TM HOSE		02
04	0501080361	3/8" X 157" TR-TM HOSE		04
05	0501080359	3/8" X 78.7" TR-TC HOSE ASSY		02
06	0521055446	HYDRAULIC CYLINDER	39	02
07	0501082185	3/8 X 9200 HOSE TC-TC		04
08	0501082225	3/8 X 13000 TR-TC HOSE		04
09	0521051916	HYDRAULIC CYLINDER 53,98 X 114,30 X 654 X 296	40	03
10	0501010617	3/4" NIPPLE		06
11	0503011968	3/4" 8R6X-S T ADAPTER WITH SWIVEL NUT		02
12	0503010190	2-114 N 3006-9B O'RING		06
13	0501053834	MALE QUICK COUPLER	41	06
14	0521051917	HYDRAULIC CYLINDER 50,8 X 101,6 X 500 X 220	42	02
15	0511057534	FLOW DIVIDING VALVE		02



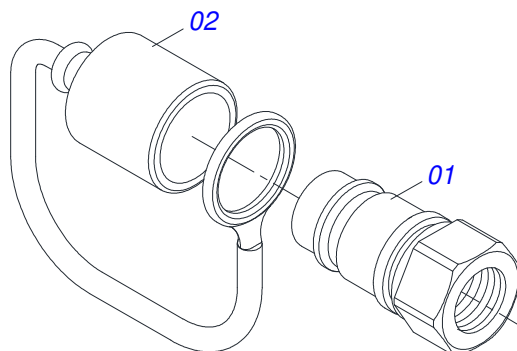
Item	Code	Description	See page	QT
01	0501082370	3/8 X 5400 HOSE TC-TM		01
02	0501082369	3/8 X 5000 HOSE TC-TM		01
03	0501080473	3/8" X 120" TC-TM HOSE		02
04	0501080361	3/8" X 157" TR-TM HOSE		04
05	0501080359	3/8" X 78.7" TR-TC HOSE ASSY		02
06	0521055446	HYDRAULIC CYLINDER	39	02
07	0501082185	3/8 X 9200 HOSE TC-TC		04
08	0501082186	HOSE 3/8 X 14000 TR-TC		04
09	0521051916	HYDRAULIC CYLINDER 53,98 X 114,30 X 654 X 296	40	03
10	0501010617	3/4" NIPPLE		06
11	0503011968	3/4" 8R6X-S T ADAPTER WITH SWIVEL NUT		02
12	0503010190	2-114 N 3006-9B O'RING		06
13	0501053834	MALE QUICK COUPLER	41	06
14	0521051917	HYDRAULIC CYLINDER 50,8 X 101,6 X 500 X 220	42	02
15	0511057534	FLOW DIVIDING VALVE		02



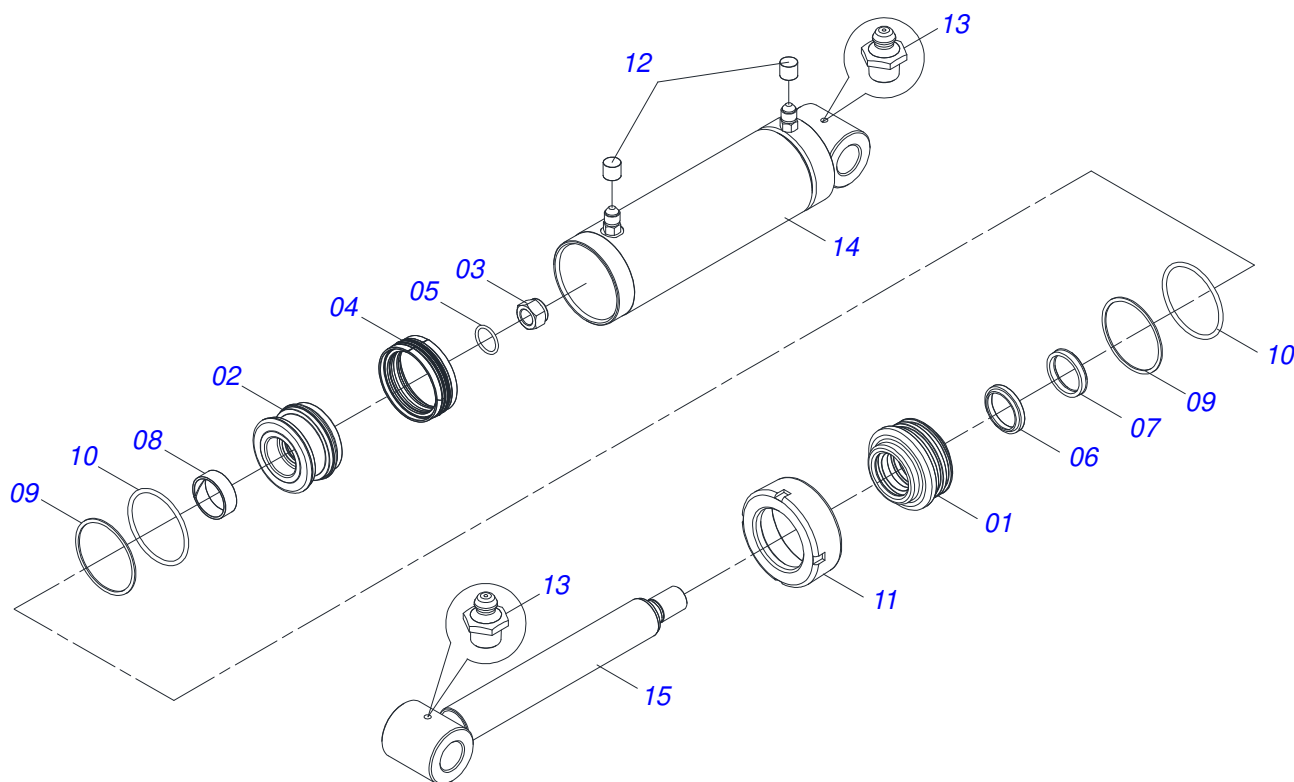
Item	Code	Description	See page	QT
01	0521069162	CYLINDER CASE		01
02	0502012842	50,80 X 101,60 PISTON		01
03	0503010817	1.1/4" SELF LOCKING NUT		01
04	0503015633	SELEMASTER SEALING		01
05	0503018029	2-217 O'RING		01
06	0521069160	TURNBUCKLE		01
07	0502012821	50.80 X 101.60 RING SUPPORT		01
08	0503018025	RING GUIDE		01
09	0503018024	RING BS		01
10	0503018026	1870-2000-375 B GASKET		01
11	0503010039	D-2000 SCRAPER RING		01
12	0503011061	8-342 BACK-UP RING		02
13	0503010338	2-342 N 3006-9B O'RING		02
14	0502012822	101.60 END CAP		01
15	0503010002	1800 GREASE FITTING		02
16	0503030385	CYLINDER PLUG N-002		02



Item	Code	Description	See page	QT
001	0521068234	TURNBUCKLE		01
002	0521068233	CYLINDER CASE		01
003	0502012643	PISTÓN BODY		01
004	0502012644	RING SUPPORT		01
005	0502011222	0.56" END CAP		01
006	0503010002	1800 GREASE FITTING		02
007	0503015715	SCRAPER SEALING		01
008	0503015642	U-CUP SEALING		01
009	0503015641	WEAR RING		01
010	0503011892	O' RING, 2-346 N 3006-9B		01
011	0503011893	BACK-UP RING, 8-346		01
012	0503030384	CON PLUG N-001		02
013	0561016578	PISTON BODY		01
014	0503015640	SEALING SELEMASTER		01



Item	Code	Description	See page	QT
01	0503011627	MALE QUICK COUPLER AGR 1/2 NPT		01
02	0503011882	MALE QUICK COUPLER CAP		01



Item	Code	Description	See page	QT
001	0581010678	50,80 X 101 RING SUPPORT		01
002	0502012842	50,80 X 101,60 PISTON		01
003	0503010817	1.1/4" SELF LOCKING NUT		01
004	0503015633	SELEMASTER SEALING		01
005	0503018029	2-217 O-RING		01
006	0503010039	D-2000 SCRAPER RING		01
007	0503018026	1870-2000-375 B GASKET		01
008	0503018025	RING GUIDE		01
009	0503011061	8-342 BACK-UP RING		02
010	0503010338	2-342 N 3006-9B O-RING		02
011	0502012822	101.60 END CAP		01
012	0503030385	CYLINDER PLUG N-002		02
013	0503010002	1800 GREASE FITTING		02
014	0521068235	CYLINDER CASE		01
015	0521068236	TURNBUCKLE		01



MARCHESAN

Technical Publications | Elaboration and Revision

LORENA ROCHA ALVES

www.marchesan.com.br

