

AUXILIARY PRODUCTS

PT 1500

Code: 0501093057
Series: S-0906
Revision: 00
Date Revision: AGOSTO/2021

PARTS CATALOGUE



MARCHESAN



PRODUCTS

Code	Description	
0106060022	PT 1500	S-0906

ATTENTION: IMPORTANT

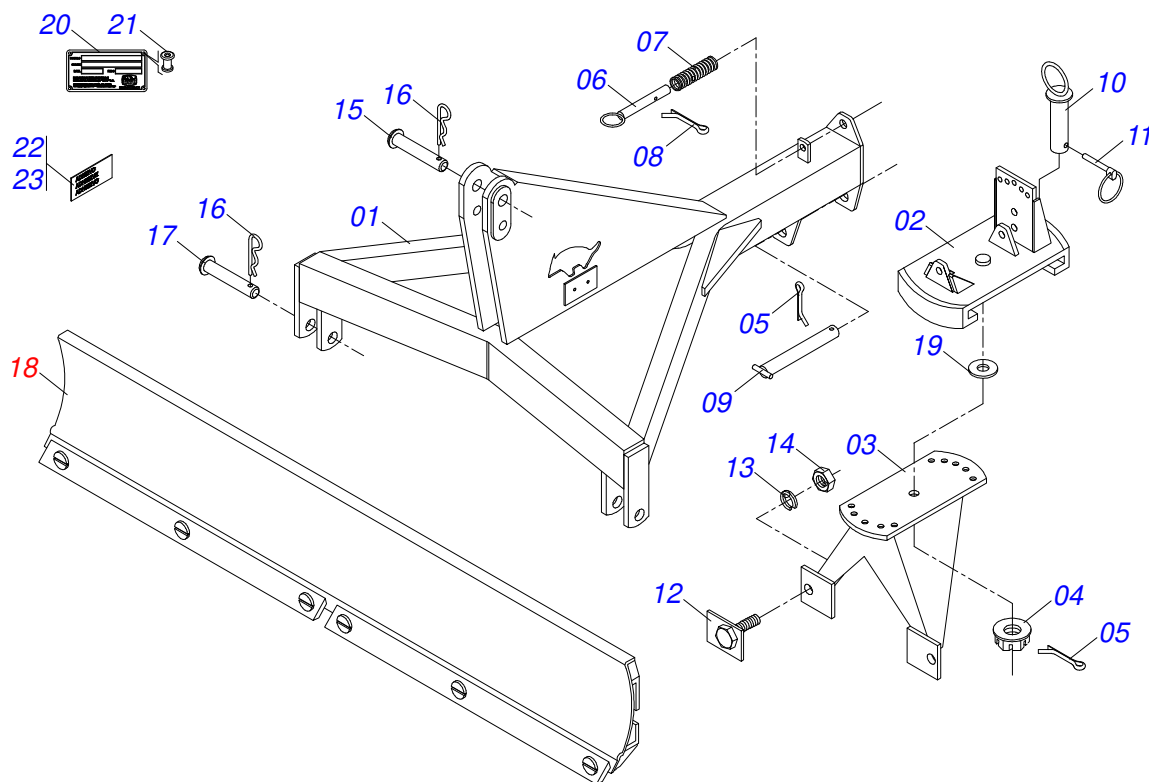
Marchesan S.A. reserves the right to improve and / or modify the technical features of its products, without obligation to do the same with those products already sold and without prior knowledge of the dealer or the consumer.



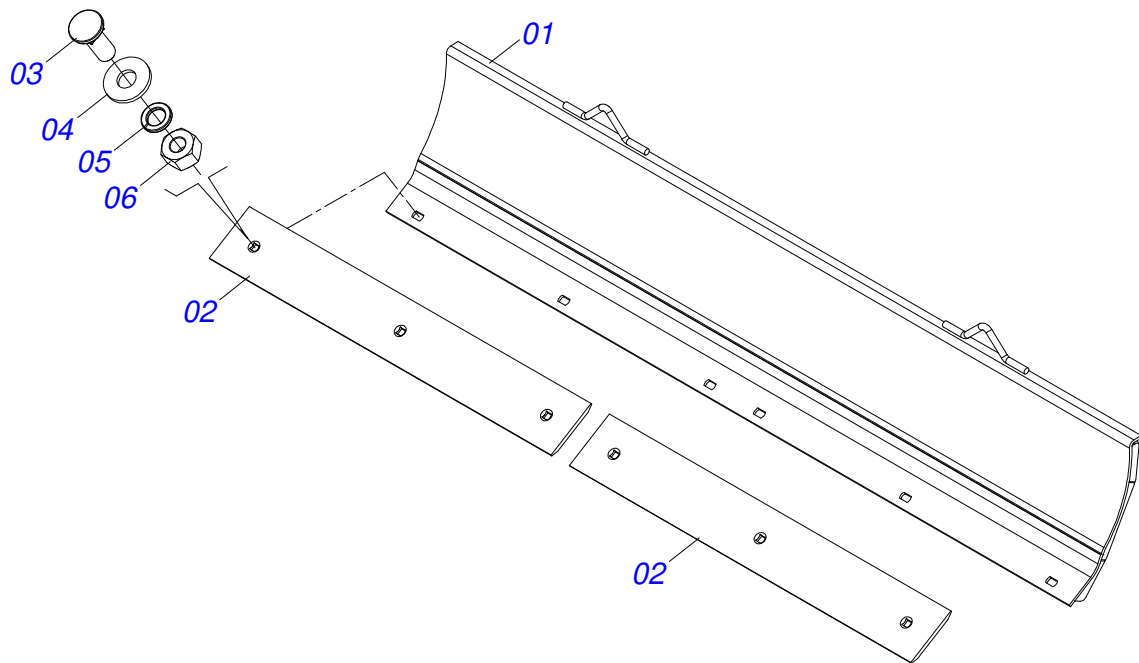
MARCHESAN

INDEX

0909095950	ASSY FRAME	1
0511043958	1500MM BLADE SUPPORT	2



Item	Code	Description	See page	QT
01	0501063735	FRAME		01
02	0501063730	REGULATOR BASE		01
03	0501061016	SUPPORT		01
04	0501011301	1.1/2 UNC 6FPP 2.5/16 NUT		01
05	0503010010	1/4" X 2.1/2" COTTERPIN		02
06	0501068990	COUPLING SHAFT		01
07	0503030517	1.27" X 4.72"X 0.9" SPRING		01
08	0503010018	5/32 X 1-1/2 COTTERPIN		01
09	0501062976	PIVOT SHAFT		01
10	0501069239	COUPLING SHAFT		01
11	0503030119	LOCK PIN		01
12	0501061017	ADJUSTMENT LOCKNUT		02
13	0503011438	SPRING WASHER		02
14	0501010059	1.5/8 NUT		02
15	0521010579	COUPLING SHAFT		01
16	0503031035	HAIR PIN		03
17	0521010595	1.1" X 4.3" COUPLING SHAFT		02
18	0511043958	1500MM BLADE SUPPORT	2	01
19	0501810287	FLAT WASHER		01
20	0503034003	SERIAL NUMBER TAG 61 X 118		01
21	0503010001	3.2 X 5.5 RIVET		04
22	0503060910	ADHESIVE LABEL ASSY		01
23	0503031087	ADHESIVE LABEL		01



Item	Code	Description	See page	QT
01	0511066754	SCRAPER DOOR 1500		01
02	0541017527	SCRAPER 1500		02
03	0503012956	1/2" X 1-1/2" BOLT		06
04	0511017302	FLAT WASHER		06
05	0503011440	SPRING WASHER		06
06	0503012682	1/2" BSW NUT		06



MARCHESAN

Technical Publications | Elaboration and Revision

ALESSANDRA PATRICIA KAWAHARA CARRILI

www.marchesan.com.br

