

PD - FRONT LOADER

PD NH T7.175 BT SC GAL

Code: 0501093049
Series: S-0314
Revision: 00
Date Revision: SETEMBRO/2021

PARTS CATALOGUE



MARCHESAN



PRODUCTS

Code	Description
0106040338	PD NH T7.175 BT SC GAL S-0314

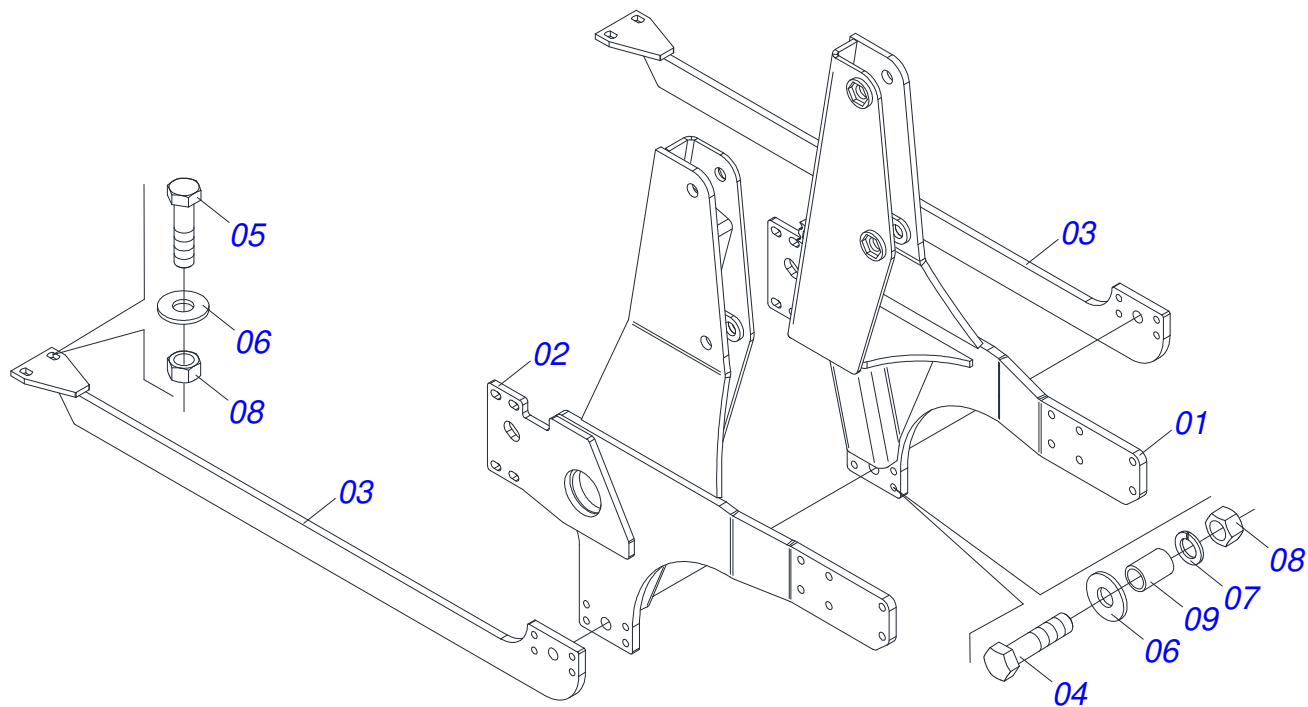
ATTENTION: IMPORTANT

Marchesan S.A. reserves the right to improve and / or modify the technical features of its products, without obligation to do the same with those products already sold and without prior knowledge of the dealer or the consumer.

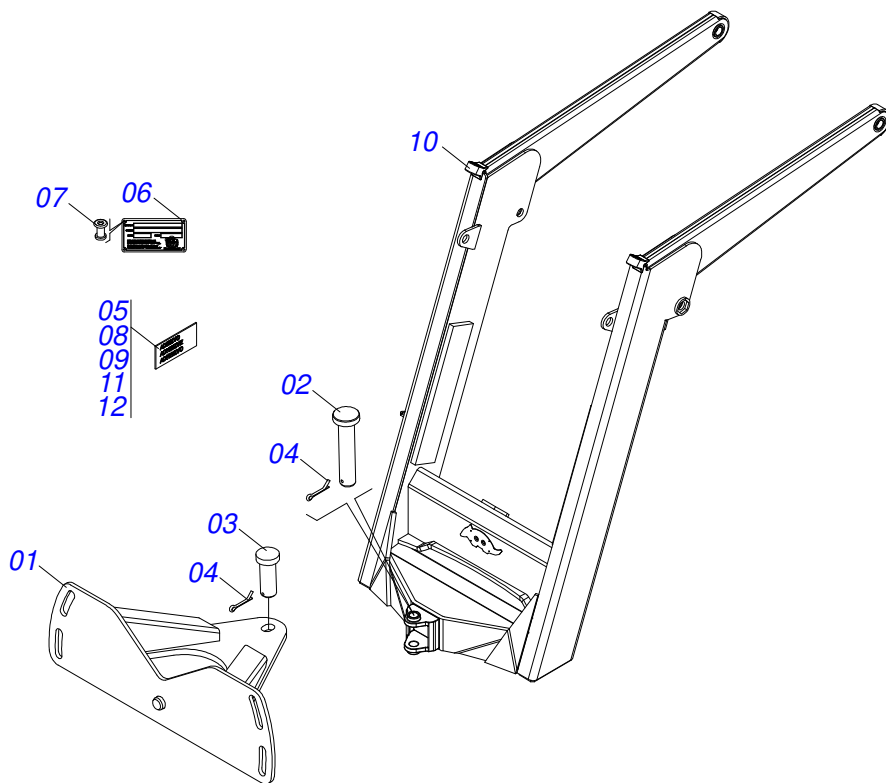


INDEX

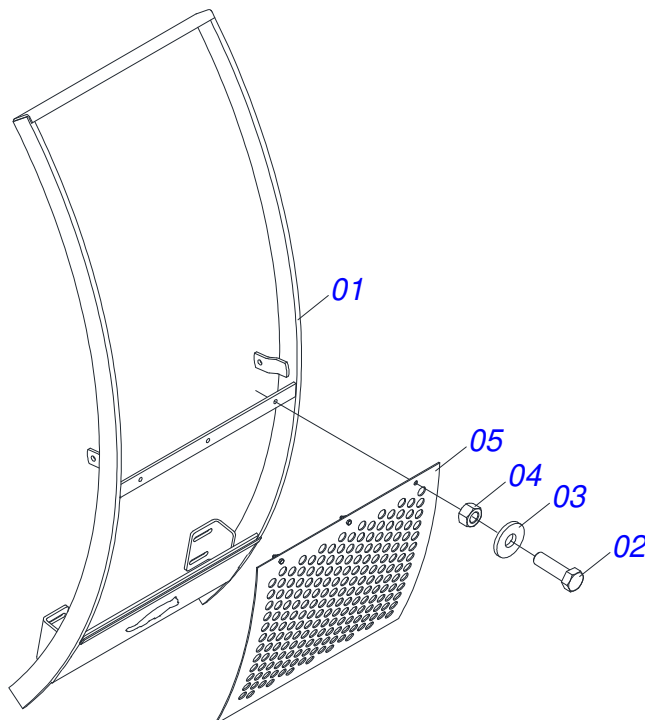
0521044602	CHASSIS ASSEMBLY WITH REAR BAR	1
0521044202	ASSY MOBILE SUPPORT	2
0501049367	ASSY HIGH MOBILE SUPPORT GUIDE	3
0501047710	2600MM BLADE SUPPORT ASSY	4
0521020397	BOX WITH COMPONENTS	5
0511058404	50,80 X 101,60 X 1155 X 410 HYDRAULIC CYLINDER	6
0501040954	1.1/4" NC X 760 ROD	7
0521044193	1.1/4 NC X 1810 FULL ROD	8
0511054457	ASSY SAFETY VALVE	9
0511031265	PACKAGED PARTS	10
0501053834	MALE QUICK COUPLER WITH CAP - 1/2 NPT	11



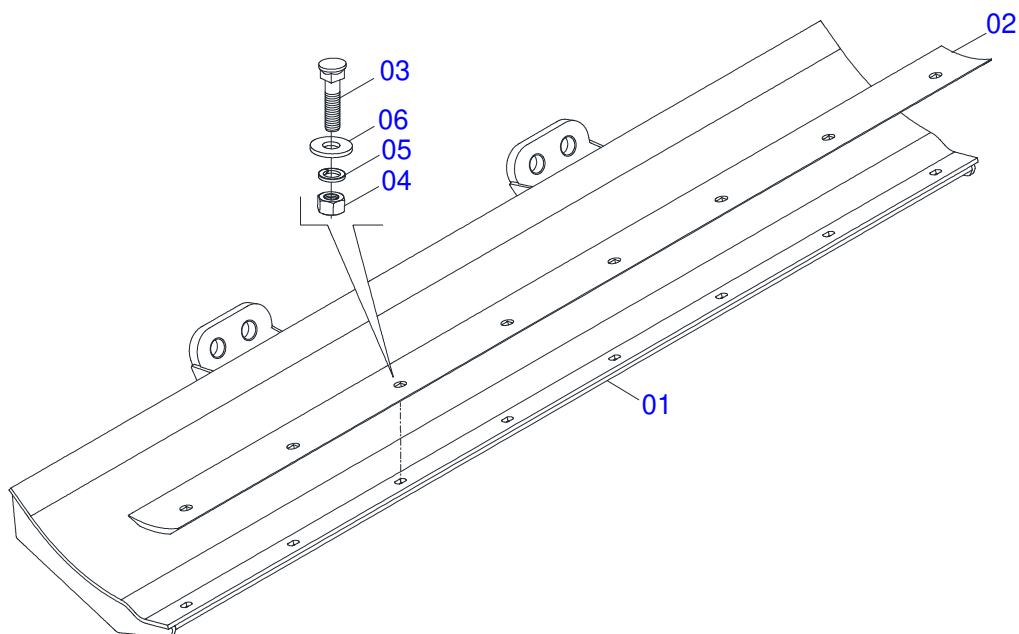
Item	Code	Description	See page	QT
01	0521064895	RIGHT CHASSIS		01
02	0521064896	LEFT CHASSIS		01
03	0521064885	CONJUNTO DEL CHASIS		02
04	0503011084	3/4" X 5" BOLT		04
05	0501010500	3/4"X3"BOLT		02
06	0501010322	FLAT WASHER		06
07	0503010023	3/4" SPRING WASHER		04
08	0503010014	3/4" NUT		08
09	0581015170	SLEEVE		04



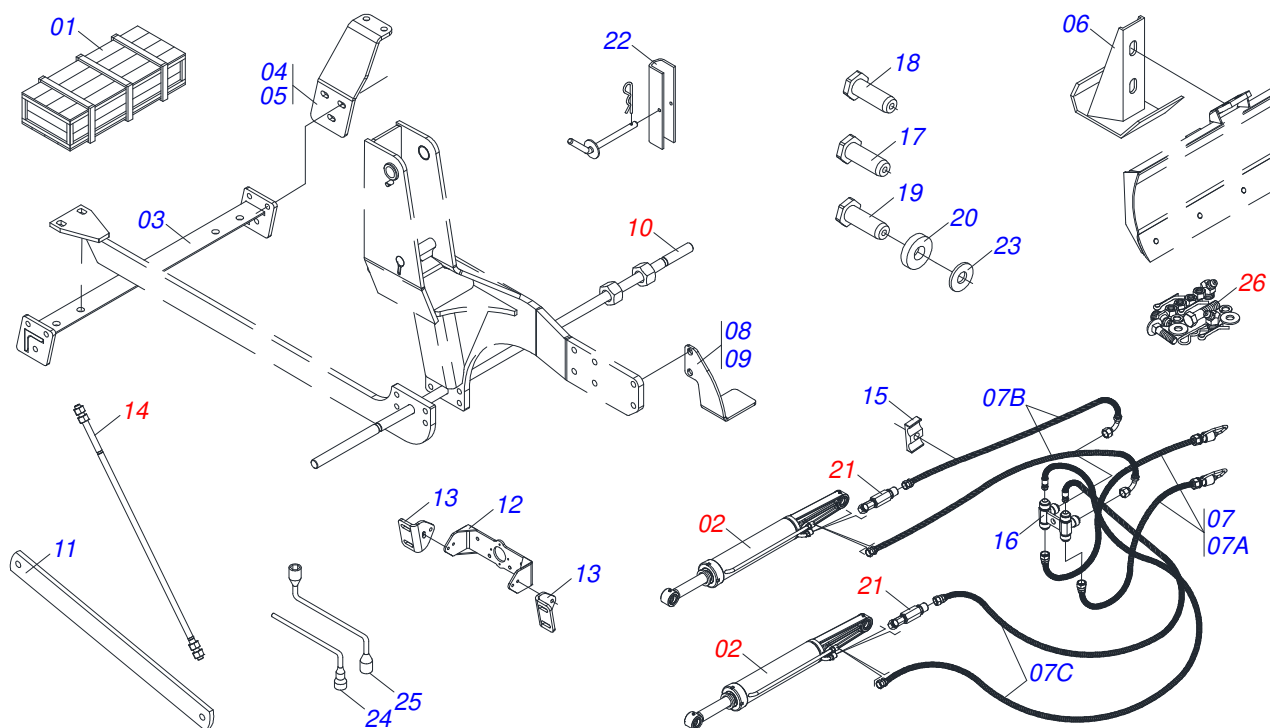
Item	Code	Description	See page	QT
01	0501062637	5/8" REGULATOR SUPPORT		01
02	0521010618	1.4" X 8.6" COUPLING SHAFT		01
03	0521010612	1.4" X 3.5" COUPLING SHAFT		01
04	0503010010	1/4" X 2.1/2" COTTERPIN		02
05	0503062270	SET LABEL ADHESIVE		01
06	0503034003	SERIAL NUMBER TAG 61 X 118		01
07	0503010001	3.2 X 5.5 RIVET		04
08	0503031428	READ MANUAL DECAL		01
09	0503031827	LUBRICATE AND RETIGHTEN DAILY DECAL		01
10	0521064880	MOBILE SUPPORT		01
11	0503034078	LIFTING POINTS DECAL		03
12	0503031087	ADHESIVE LABEL		01



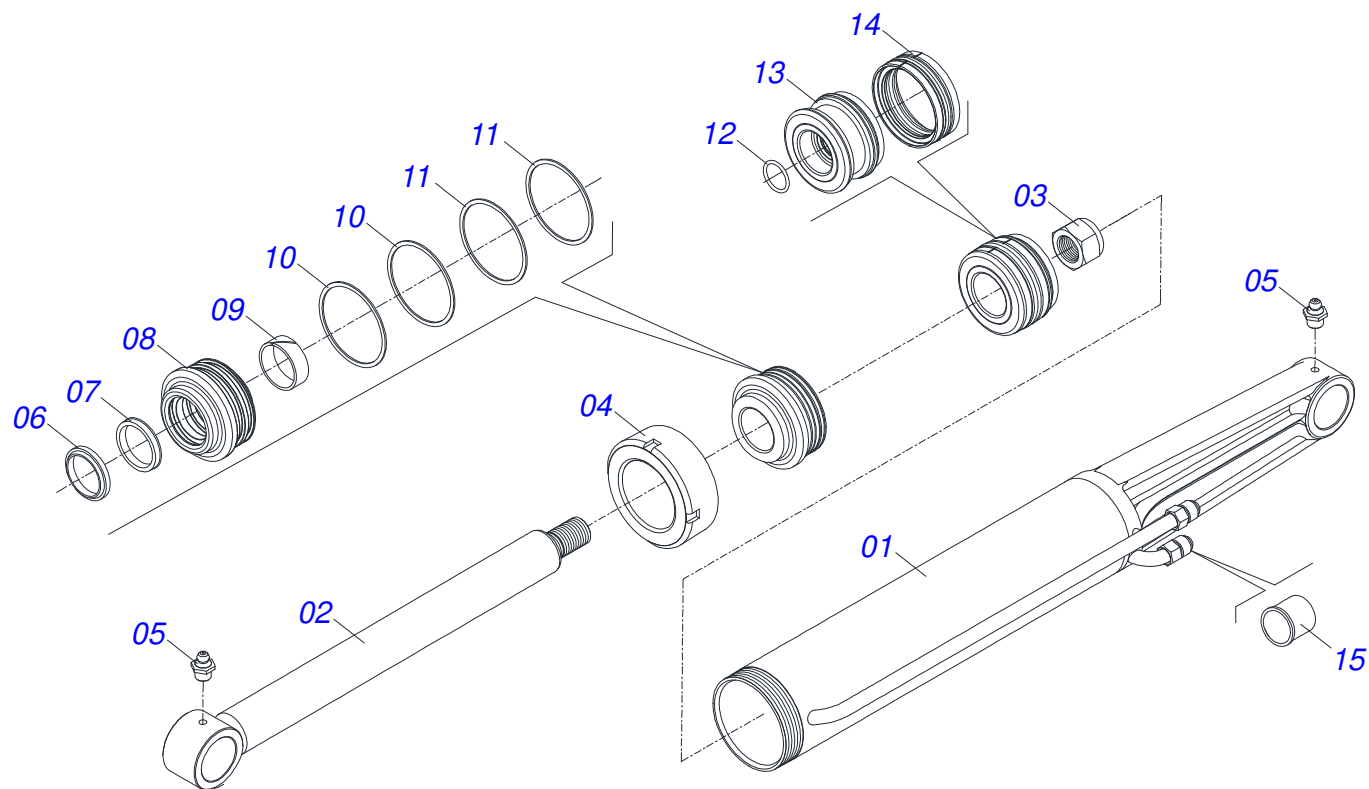
Item	Code	Description	See page	QT
01	0511061956	MOBILE SUPPORT GUIDE ASSY		01
02	0503010751	C3/8" X 1.1/4" HEX BOLT G.5		03
03	0501010984	FLAT WASHER		03
04	0503010026	3/8" NUT		03
05	0501014687	FRONT PROTECTION		01



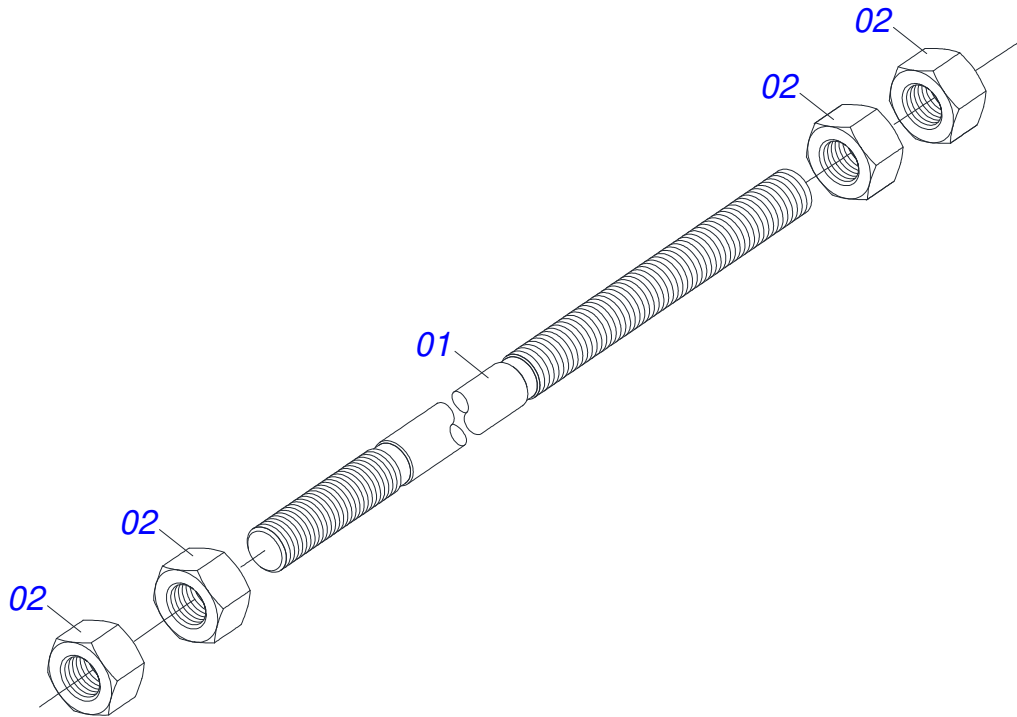
Item	Code	Description	See page	QT
01	0501068001	2590MM BLADE SUPPORT ASSY		01
02	0622360011	2600 SCRAPER REVERSIBLE		01
03	0501012240	BOLT		08
04	0503010013	5/8" NUT		08
05	0503010027	5/8" SPRING WASHER		08
06	0501010301	FLAT WASHER		08



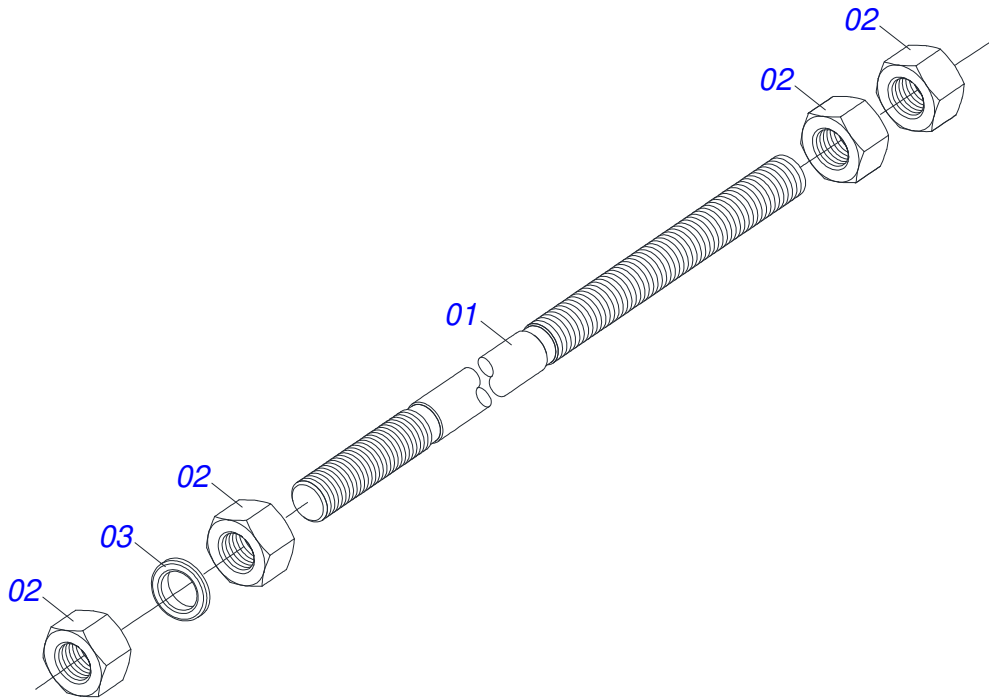
Item	Code	Description	See page	QT
01	0501100007	BOX WOOD 2150X400X440		01
02	0511058404	50,80 X 101,60 X 1155 X 410 HYDRAULIC CYLINDER 6		02
03	0521064886	FRAME FIXER SUPORT		01
04	0521064884	RH SUPPORT		01
05	0521064883	SAPATA ESQ DIFER		01
06	0501063411	ESTABILIZER BRACKET		02
07	0511055183	HOSE GAME		01
07A	0501081746	HOSE 1/2 X 3200 TR-TM		02
07B	0501081407	1/2 X 3100 TR-TC HOSE		02
07C	0501080010	1/2 X 1000 TR-TC HOSE		02
08	0521064882	RIGHT BEATER		01
09	0521064881	LEFT BEATER		01
10	0501040954	1.1/4" NC X 760 ROD	7	01
11	0501010626	FRENCH HAND		02
12	0521064897	PUMP SUPPORT		01
13	0571014003	FASTENING BRACKET OF THE HIGH GUIDE		02
14	0521044193	1.1/4 NC X 1810 FULL ROD	8	02
15	0502012702	BODY SUPPORT CLAMP		01
16	0521064869	7/8UNF JIC OIL DISTRIBUTOR		01
17	0521064889	37,20 X138 COUPLING SHAFT WITH GREASE FITTING		02
18	0521064888	AXIS JUNCTION 37,20X138		02
19	0521064887	AXIS JUNCTION 37,20X120		02
20	0571016052	LOCKING WASHER OF THE JOINT SHAFT		06
21	0511054457	ASSY SAFETY VALVE	9	02
22	0551010280	253 TRANSPORT LOCK		02
23	0501010574	FLAT WASHER		04
24	0501061617	1" GANG BOLT WRENCH		01
25	0501068213	5/8" WRENCH DOUBLE		01
26	0511031265	PACKAGED PARTS	10	01
27	0501030481	BAG WITH INSTRUCTION MANUAL		01



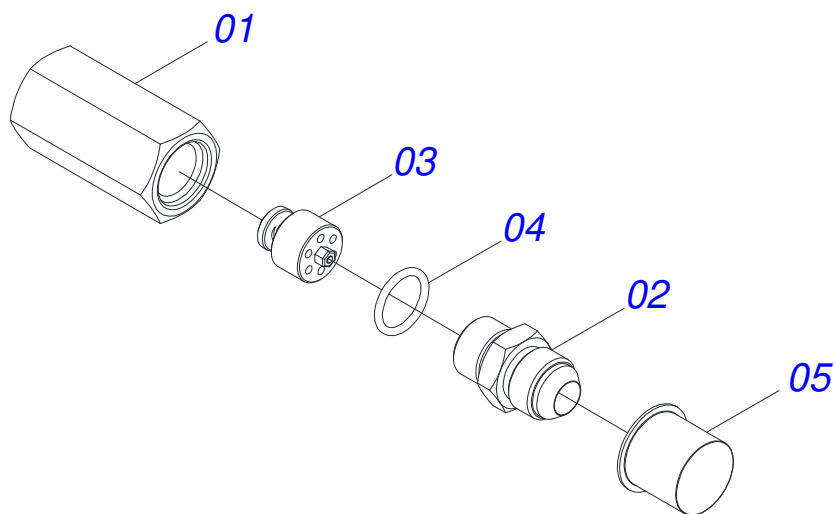
Item	Code	Description	See page	QT
01	0521064879	101,6 X 528 HYDRAULIC CYLINDER BODY		01
02	0521064878	50,80 X 776,50 EXTENDER		01
03	0503010817	1.1/4" SELF LOCKING NUT		01
04	0502012822	101.60 END CAP		01
05	0503010002	1800 GREASE FITTING		02
06	0503015636	SCRAPER SEAL		01
07	0503018026	1870-2000-375 B GASKET		01
08	0581010678	50,80 X 101 RING SUPPORT		01
09	0503018025	RING GUIDE		01
10	0503011061	8-342 BACK-UP RING		02
11	0503010338	2-342 N 3006-9B O'RING		02
12	0503010345	2-218 N 3006-9B O'RING		01
13	0502012842	50,80 X 101,60 PISTON		01
14	0503015633	SELEMASTER SEALING		01
15	0503030387	PLUG		02



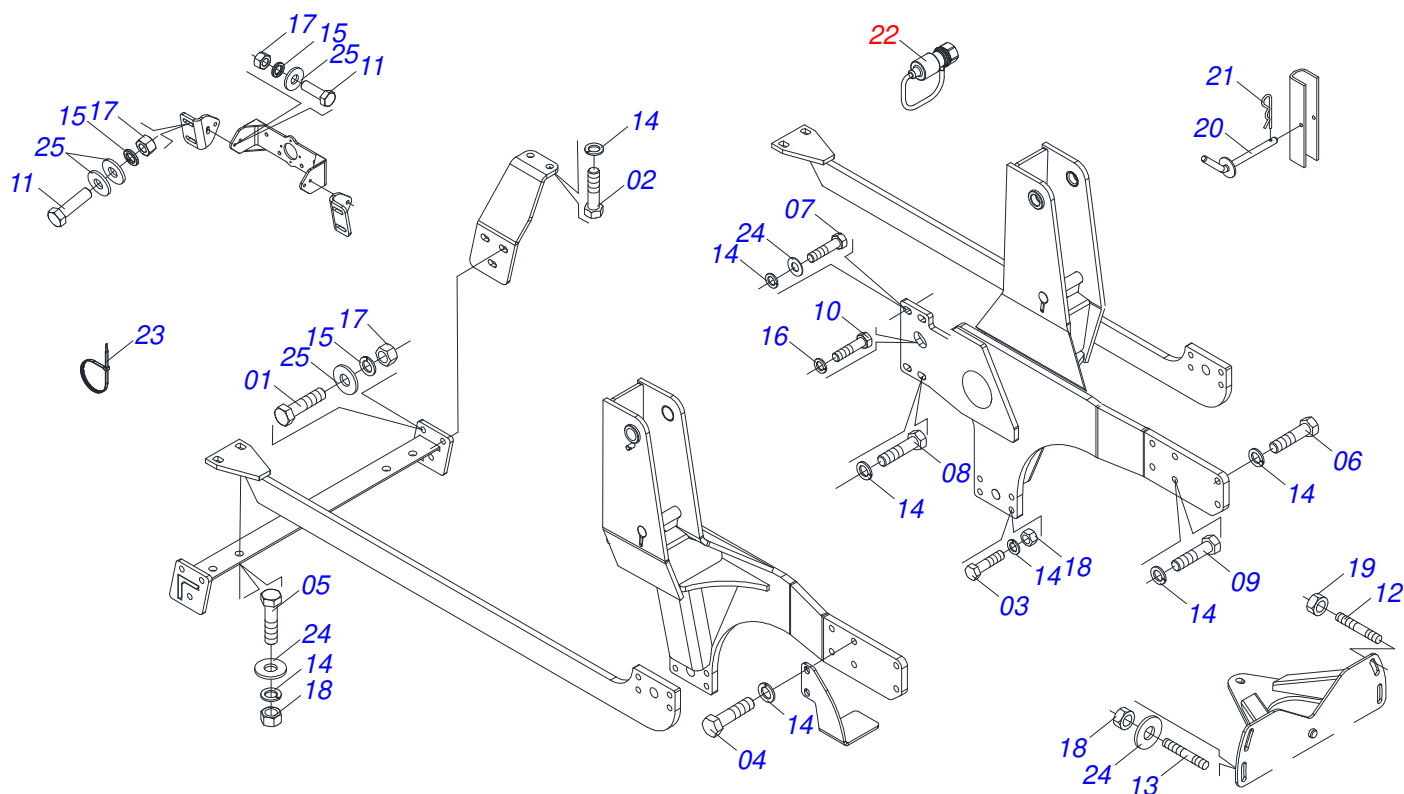
Item	Code	Description	See page	QT
01	0501010628	1.1/4" X 760 ROD		01
02	0501010087	1.1/4" NUT		02



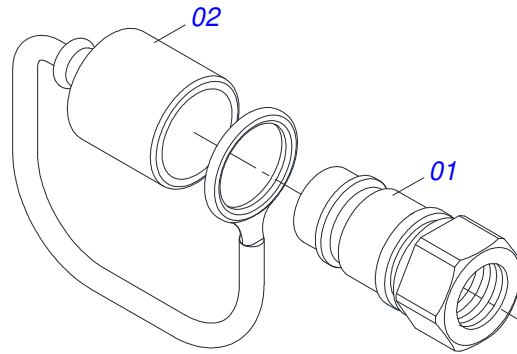
Item	Code	Description	See page	QT
01	0571016063	1.1/4X1810 ROD		01
02	0501010087	1.1/4" NUT		04
03	0502012180	CONICAL SPRING WASHER		02



Item	Code	Description	See page	QT
001	0581014053	1/2 BSP X 7/8 UNF JIC X 64 ADAPTER		01
002	0581014052	1/2 BSP X 7/8 UNF JIC X 43 NIPLE		01
003	0503016854	VALVE ASSY		01
004	0503010045	O'RING		01
005	0503030387	PLUG		01



Item	Code	Description	See page	QT
01	0503010899	5/8" X 2-1/4" BOLT		16
02	0503011258	M18 X 1,5 X 65 BOLT		04
03	0503012334	3/4" UNC X 3.1/2" BOLT		08
04	0501010500	3/4"X3"BOLT		04
05	0501010125	3/4" X 2-1/2" BOLT		04
06	0503013111	M20 X 2,5 X 65 BOLT		10
07	0503013112	M20 X 2,5 X 70 BOLT		08
08	0503013174	M20 X 2,5 X 40 C S 10.9 ZN BOLT		04
09	0503013104	M20 X 2,5 X 80 BOLT		02
10	0503011338	7/16" X 1" BOLT		02
11	0503010962	5/8" X 1-1/4" BOLT		06
12	0561016755	PRISONER 1 UNC X 1 UNC X 76 ZN		04
13	0561016756	3/4 UNC X 3/4 UNC X 56 PRISONER		04
14	0503010023	3/4" SPRING WASHER		36
15	0503010027	5/8" SPRING WASHER		22
16	0503010180	7/16" SPRING WASHER		02
17	0503010013	5/8" NUT		16
18	0503010014	3/4" NUT		22
19	0501010059	1.5/8 NUT		04
20	0501068994	0.3" X 3.1"LOCK PIN		02
21	0503010257	1/8" X 1" COTTERPIN		02
22	0501053834	MALE QUICK COUPLER WITH CAP - 1/2 NPT	11	02
23	0503016022	T-120 L CRAMP NYLON		04
24	0501010322	FLAT WASHER		12
25	0501012140	FLAT WASHER		14



Item	Code	Description	See page	QT
01	0503011627	MALE QUICK COUPLER AGR 1/2 NPT		01
02	0503011882	MALE QUICK COUPLER CAP		01



MARCHESAN

Technical Publications | Elaboration and Revision
LUIZ CANDIDO

www.marchesan.com.br

