

PD - FRONT LOADER

PD JD 5603/5078/5085E BT SC GAL

Code: 0501093048
Series: S-0511
Revision: 00
Date Revision: SETEMBRO/2021

PARTS CATALOGUE



MARCHESAN



PRODUCTS

Code	Description
0106120055	PD JD 5603/5078/5085E BT SC GAL

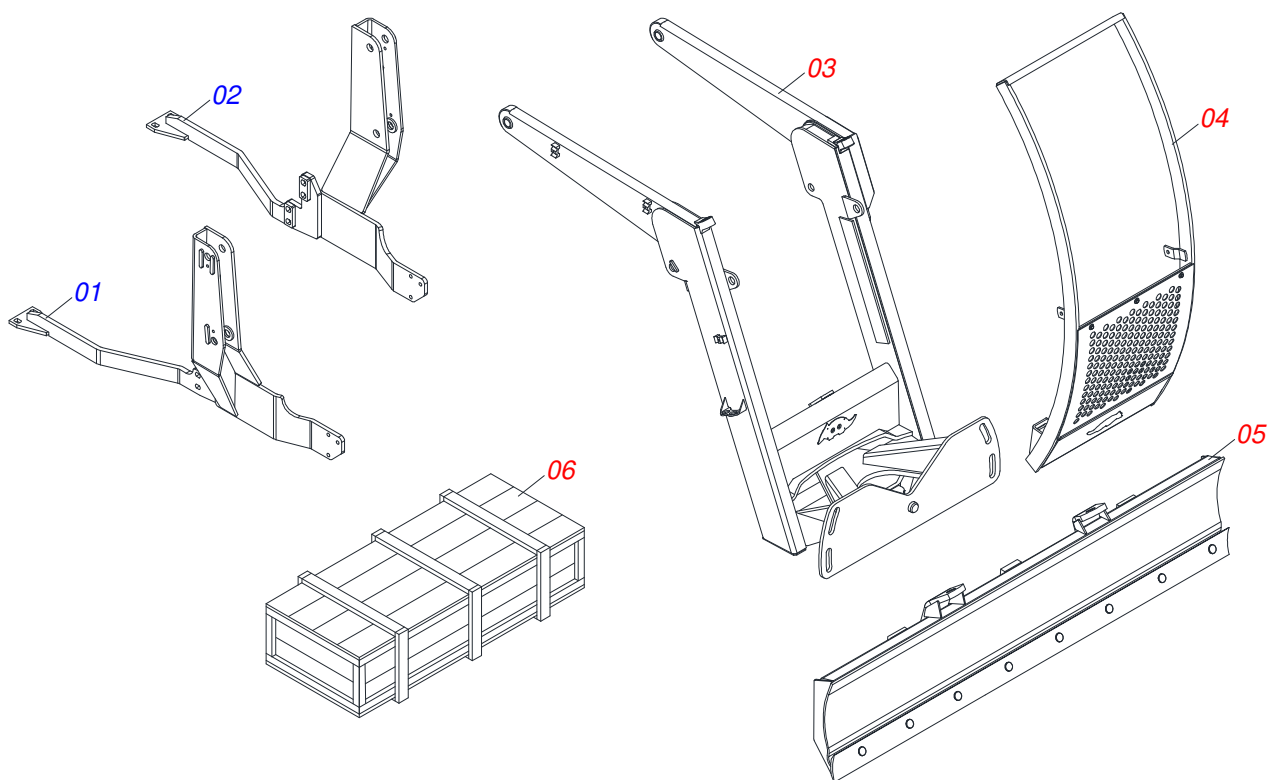
ATTENTION: IMPORTANT

Marchesan S.A. reserves the right to improve and / or modify the technical features of its products, without obligation to do the same with those products already sold and without prior knowledge of the dealer or the consumer.

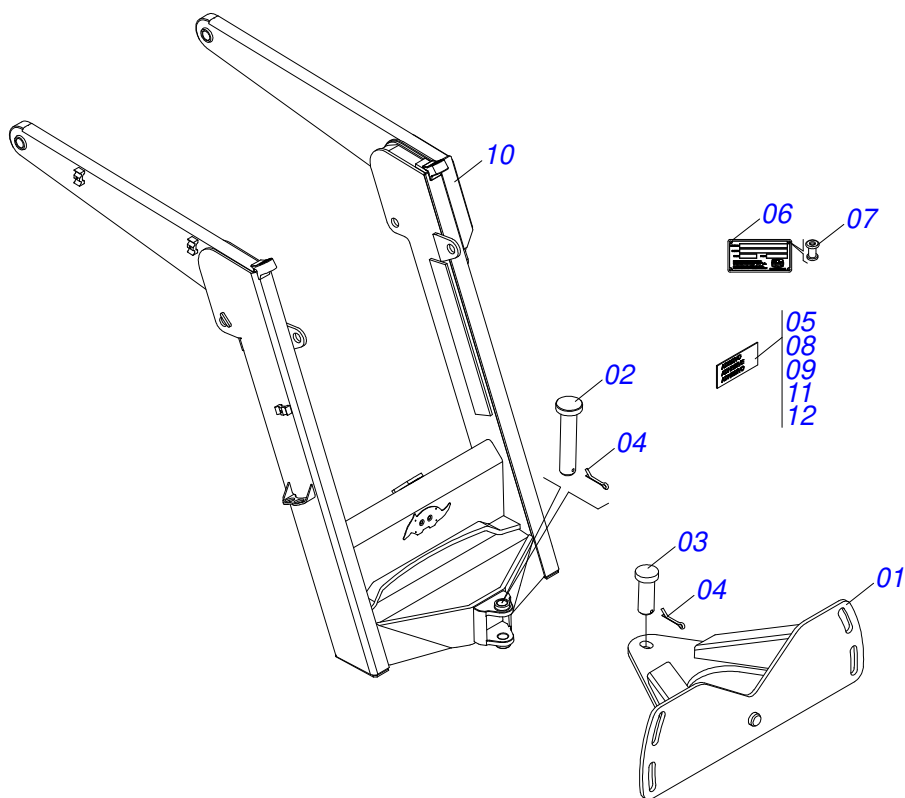


INDEX

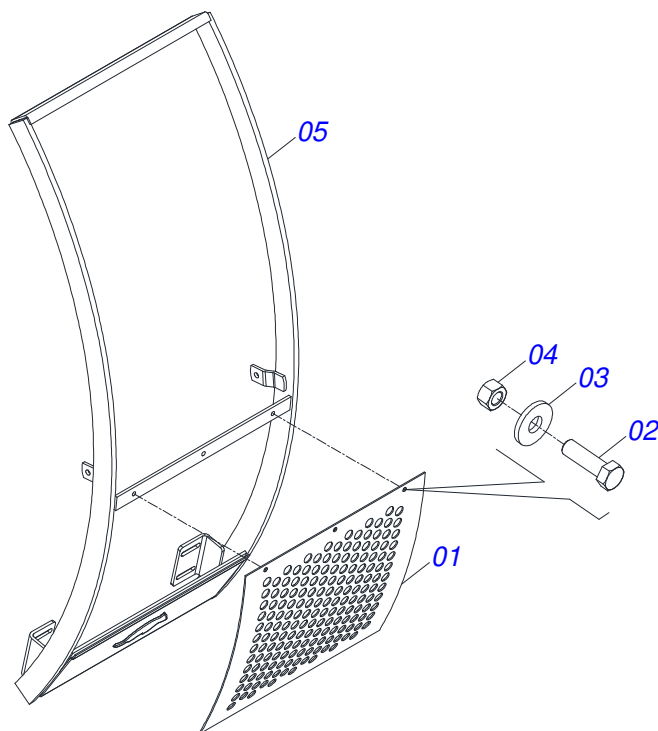
0106120055	PD JD 5603/5078/5085E BT SC GAL	1
0511049220	ASSY MOBILE SUPPORT	2
0511049956	MOBILE SUPPORT GUIDE ASSY	3
0501047708	2400 BLADE SUPPORT	4
0521021556	BOX WITH COMPONENTS	5
0501041427	1.1/4" NC X 1540 ASSY ROD	6
0511031727	PACKAGED PARTS	7
0909095811	HYDRAULIC CIRCUIT	8
0501046992	HYDRAULIC CYLINDER 44,45 X 85,7 X1010 X 400 BBD	9
0501046993	HYDRAULIC CYLINDER 44,45 X 85,7 X1010 X 400 BBE	10
0501053834	MALE QUICK COUPLER WITH CAP - 1/2 NPT	11



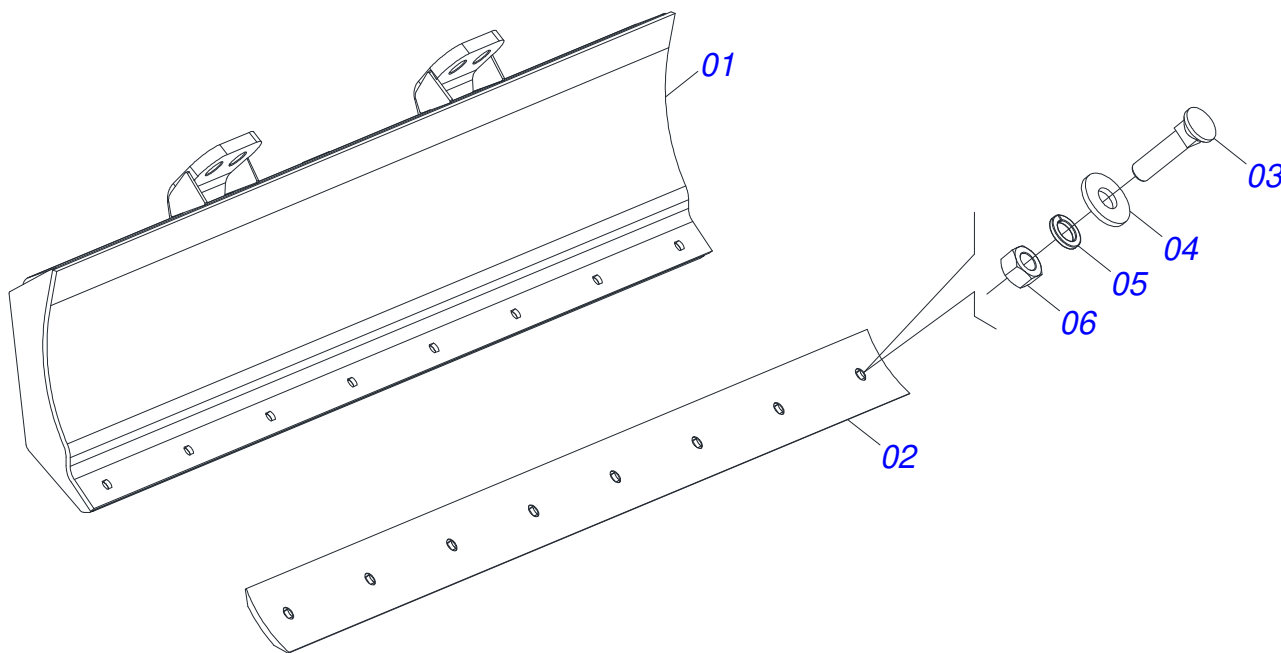
Item	Code	Description	See page	QT
001	0511069628	RIGHT FRAME		01
002	0511069629	LEFT CHASSIS		01
003	0511049220	ASSY MOBILE SUPPORT	2	01
004	0511049956	MOBILE SUPPORT GUIDE ASSY	3	01
005	0501047708	2400 BLADE SUPPORT	4	01
006	0521021556	BOX WITH COMPONENTS	5	01



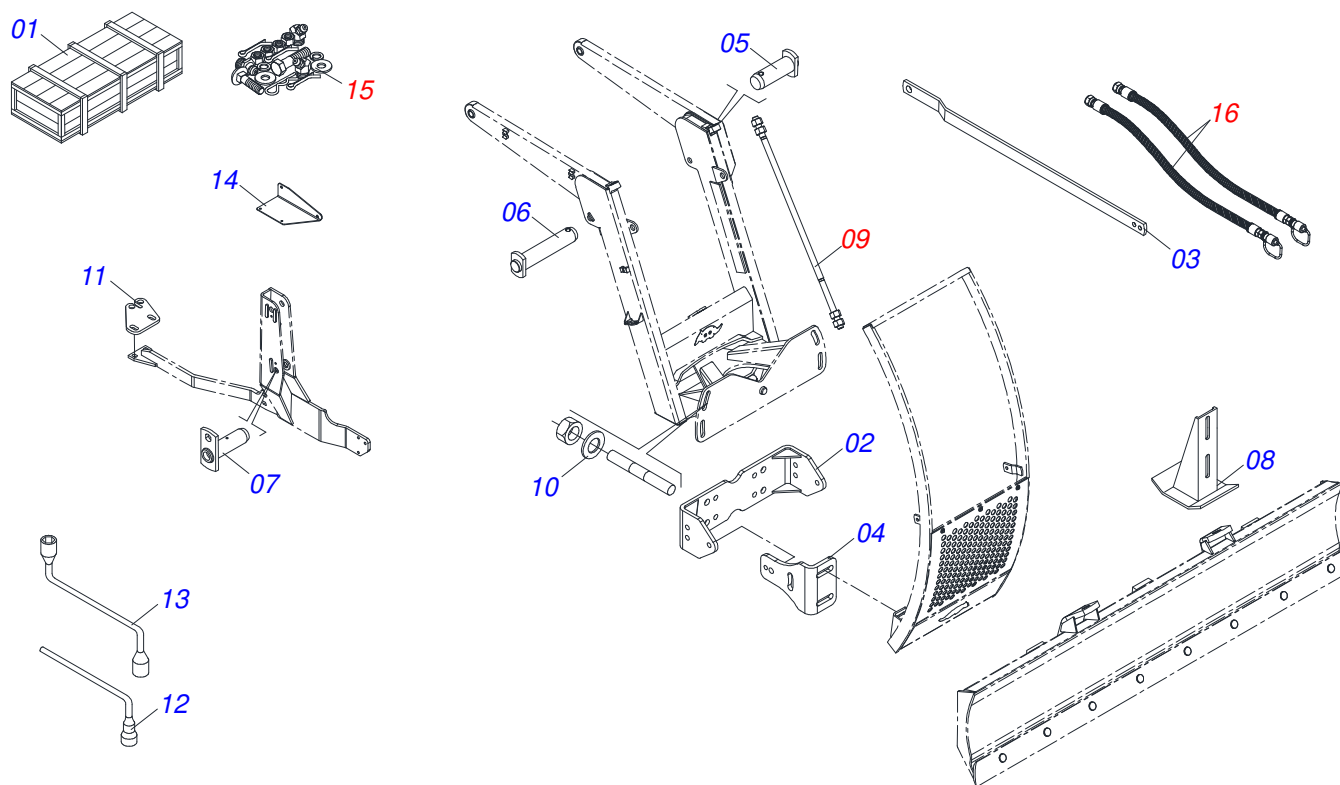
Item	Code	Description	See page	QT
01	0501062637	5/8" REGULATOR SUPPORT		01
02	0521010618	1.4" X 8.6" COUPLING SHAFT		01
03	0521010612	1.4" X 3.5" COUPLING SHAFT		01
04	0503010010	1/4" X 2.1/2" COTTERPIN		02
05	0503062270	SET LABEL ADHESIVE		01
06	0503034003	SERIAL NUMBER TAG 61 X 118		01
07	0503010001	3.2 X 5.5 RIVET		04
08	0503031428	READ MANUAL DECAL		01
09	0503031827	LUBRICATE AND RETIGHTEN DAILY DECAL		01
10	0521062943	MOBILE SUPPORT		01
11	0503034078	LIFTING POINTS DECAL		03
12	0503031087	ADHESIVE LABEL		01



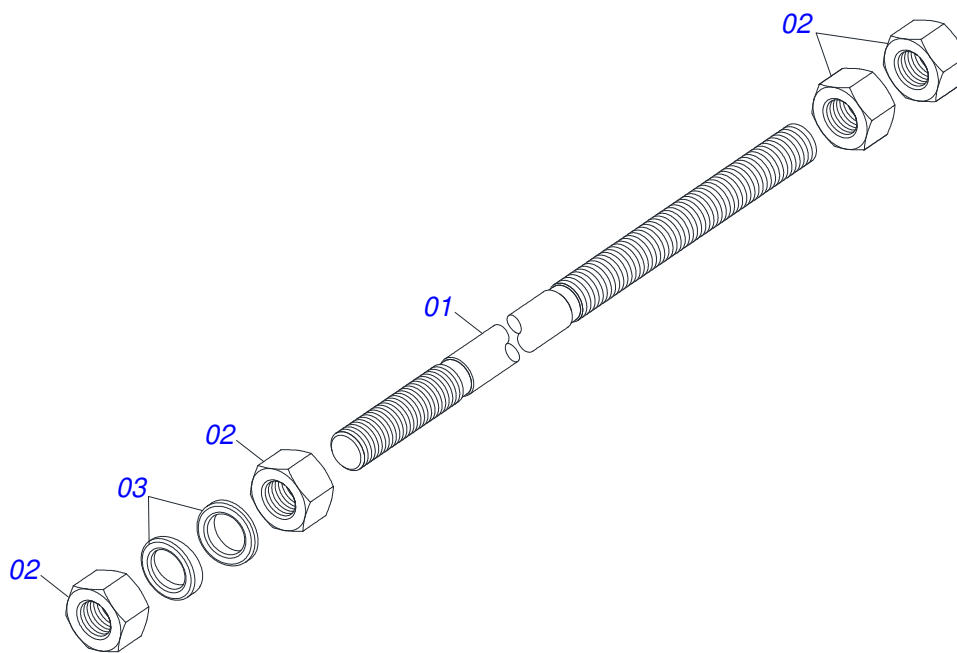
Item	Code	Description	See page	QT
01	0501017431	FRONT PROTECTION		01
02	0503010751	C3/8" X 1.1/4" HEX BOLT G.5		03
03	0501010984	FLAT WASHER		03
04	0503010026	3/8" NUT		03
05	0521062696	GUIDE SUPPORT MOBILE		01



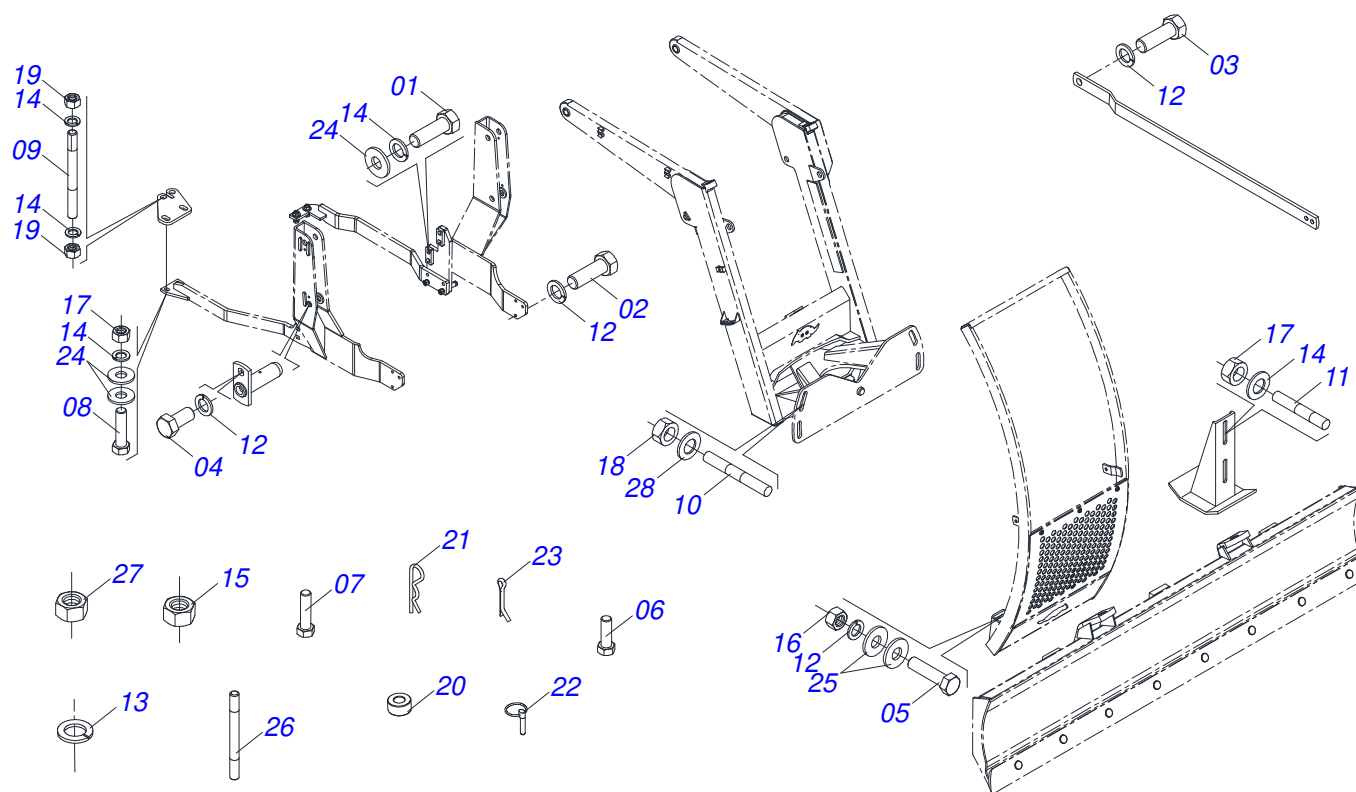
Item	Code	Description	See page	QT
01	0501067999	2390 BLADE SUPPORT		01
02	0622360016	94.5" SCRAPER REVERSIBLE		01
03	0501012240	BOLT		08
04	0501012140	FLAT WASHER		08
05	0503011445	SPRING WASHER		08
06	0503010013	5/8" NUT		08



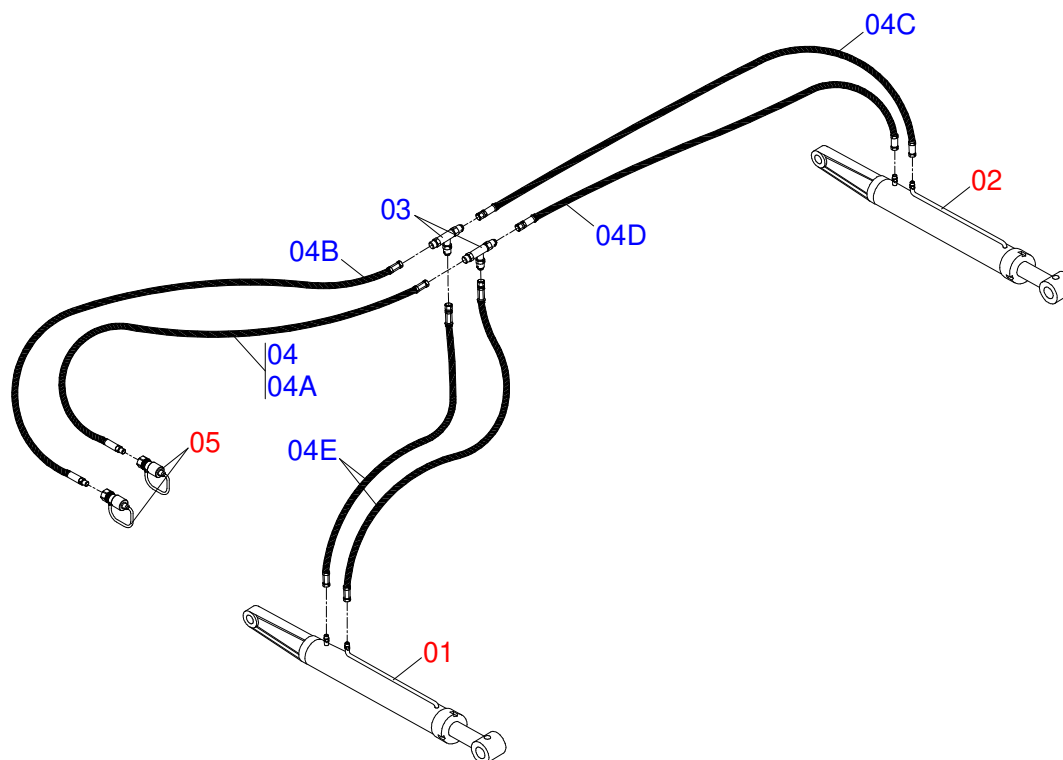
Item	Code	Description	See page	QT
01	0501100416	WOODEN BOX		01
02	0521064256	MOBILE SUPPORT GUIDE FIXER		01
03	0521065971	1235 FRENCH HAND WITH GLOVE		02
04	0571010158	FIXER GUIDE MOBILE SUPPORT		02
05	0521063354	COUPLING SHAFT		01
06	0521063358	37,20 X 161 JOINT AXIS		01
07	0501063751	1.5" X 5.5" PIVOT SHAFT		04
08	0501063411	ESTABILIZER BRACKET		02
09	0501041427	1.1/4" NC X 1540 ASSY ROD	6	02
10	0501010574	FLAT WASHER		04
11	0561017651	DIFFERENTIAL SHOE		02
12	0501061617	1" GANG BOLT WRENCH		01
13	0501068213	5/8" WRENCH DOUBLE		01
14	0561017650	TOOL BOX HOLDER		01
15	0511031727	PACKAGED PARTS	7	01
16	0909095811	HYDRAULIC CIRCUIT	8	01



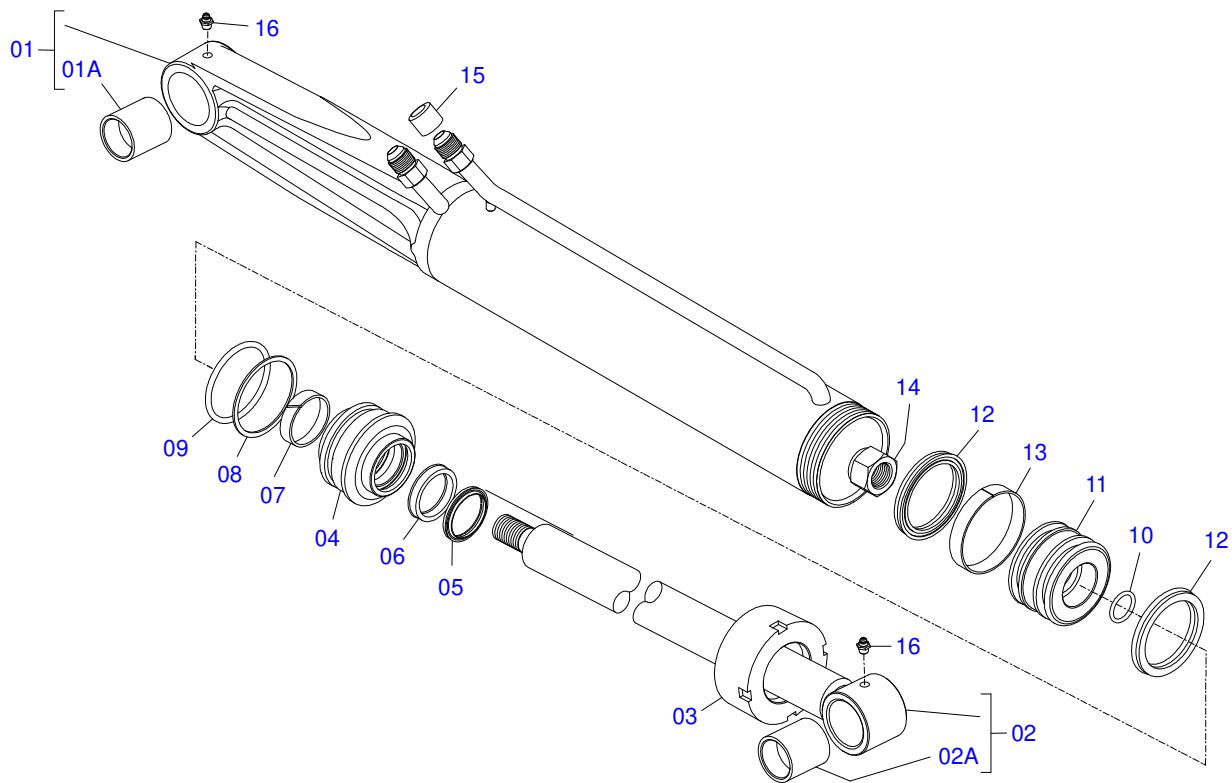
Item	Code	Description	See page	QT
01	0501014250	1.1/4" X 1540 ROD		01
02	0501010087	1.1/4" NUT		04
03	0502012180	CONICAL SPRING WASHER		02



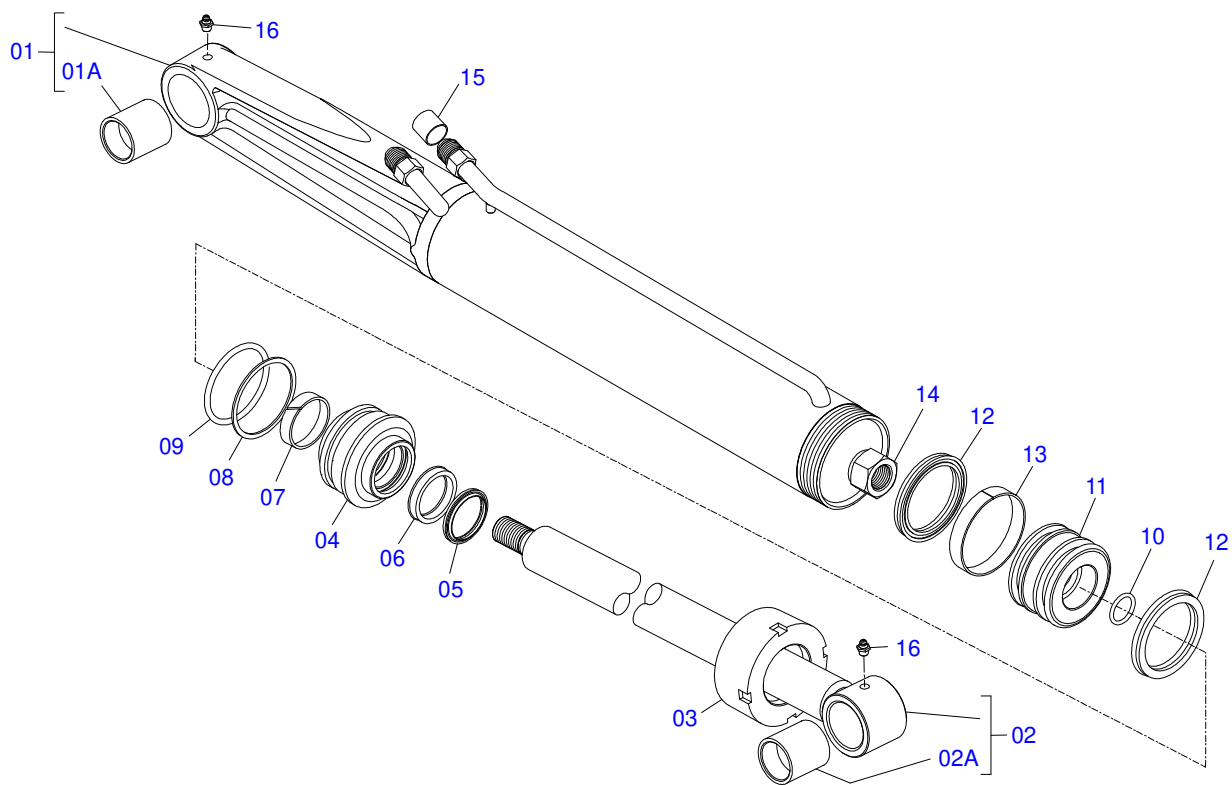
Item	Code	Description	See page	QT
01	0503013104	M20 X 2,5 X 80 BOLT		08
02	0503011188	M16 X 2 X 50 BOLT		04
03	0503012693	M16 X 2 X 75 BOLT		02
04	0503010962	5/8" X 1-1/4" BOLT		08
05	0501010100	SCREW 5/8 UNC X 2 CS G.5 ZN		04
06	0503010233	5/8" X 2-1/2" BOLT		04
07	0501010125	3/4" X 2-1/2" BOLT		04
08	0501010500	3/4"X3"BOLT		04
09	0561017654	M20 X 2.5 X 270 THREADED ROD ZN		04
10	0561016755	PRISONER 1 UNC X 1 UNC X 76 ZN		04
11	0561016756	3/4 UNC X 3/4 UNC X 56 PRISONER		04
12	0503010027	5/8" SPRING WASHER		12
13	0503010025	3/8" SPRING WASHER		03
14	0503010023	3/4" SPRING WASHER		08
15	0503010026	3/8" NUT		03
16	0503010013	5/8" NUT		08
17	0503010014	3/4" NUT		10
18	0501010059	1.5/8 NUT		04
19	0503015985	M20 X 2.5 ZN HEXAGONAL NUT		08
20	0531016799	SLEEVE 34,93 X 16,50 X 20		02
21	0503030012	HAIR PIN		02
22	0503030430	7/16 X 2" PIN LOCK		02
23	0503010534	3/8 X 2-1/2 COTTERPIN		02
24	0501010322	FLAT WASHER		12
25	0501012140	FLAT WASHER		10
26	0503034789	PRISONER		04
27	0503019335	METRIC NUT		08
28	0503010012	1" SPRING WASHER		08



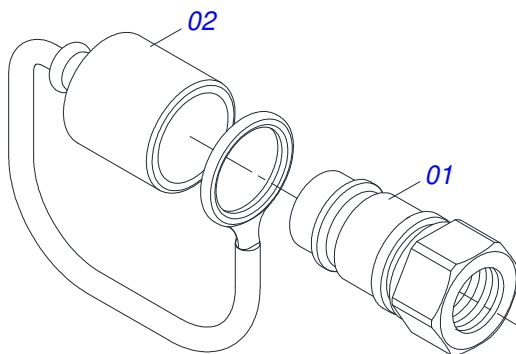
Item	Code	Description	See page	QT
01	0501046992	HYDRAULIC CYLINDER 44,45 X 85,7 X1010 X 400 9 BBD		01
02	0501046993	HYDRAULIC CYLINDER 44,45 X 85,7 X1010 X 400 10 BBE		01
03	0503013493	T CONNECTION MALE		02
04	0501059111	SET OF HOSES		01
04A	0501080020	1/2" X 850 TR-TR HOSE		01
04B	0501080172	1/2 X 1250 HOSE TR-TR		01
04C	0501080135	HOSE 1/2 X 1800 TR-TR		01
04D	0501080102	1/2" X 2200 TR-TR HOSE		01
04E	0501080245	1/2 X 2800 HOSE TR-TM		02
05	0501053834	MALE QUICK COUPLER WITH CAP - 1/2 NPT	11	04



Item	Code	Description	See page	QT
01	0501068206	RIGHT 85,72 X 855 CASE		01
01A	0521010514	38,1 X 52,9 X 50 SLEEVE INTER		01
02	0501068208	44,45 X 670 TURNBUCKLE		01
02A	0521010514	38,1 X 52,9 X 50 SLEEVE INTER		01
03	0502010993	DETACHABLE COVER		01
04	0502010781	RING SUPPORT		01
05	0503010761	D-1750 SCRAPER RING		01
06	0503010990	GASKET		01
07	0503010949	W2-2000-500 PK RING G.E		01
08	0503011060	8-336 BACK-UP RING		01
09	0503010976	2-336 N 3006-9B O'RING		01
10	0503010042	2-214 N 3006-9B O'RING		01
11	0502010843	1.8" X 3.4" PISTON		01
12	0503010170	PACKING 3120 2750		02
13	0503010948	W4-3346-590 PK RING G.E		01
14	0503010063	1" SELF-ALIGNING NUT		01
15	0503030387	PLUG		02
16	0503010002	1800 GREASE FITTING		02



Item	Code	Description	See page	QT
01	0501068207	LEFT 85,72 X 855 CASE		01
01A	0521010514	38,1 X 52,9 X 50 SLEEVE INTER		01
02	0501068208	44,45 X 670 TURNBUCKLE		01
02A	0521010514	38,1 X 52,9 X 50 SLEEVE INTER		01
03	0502010993	DETACHABLE COVER		01
04	0502010781	RING SUPPORT		01
05	0503010761	D-1750 SCRAPER RING		01
06	0503010990	GASKET		01
07	0503010949	W2-2000-500 PK RING G.E		01
08	0503011060	8-336 BACK-UP RING		01
09	0503010976	2-336 N 3006-9B O'RING		01
10	0503010042	2-214 N 3006-9B O'RING		01
11	0502010843	1.8" X 3.4" PISTON		01
12	0503010170	PACKING 3120 2750		02
13	0503010948	W4-3346-590 PK RING G.E		01
14	0503010063	1" SELF-ALIGNING NUT		01
15	0503030387	PLUG		02
16	0503010002	1800 GREASE FITTING		02



Item	Code	Description	See page	QT
01	0503011627	MALE QUICK COUPLER AGR 1/2 NPT		01
02	0503011882	MALE QUICK COUPLER CAP		01



MARCHESAN

Technical Publications | Elaboration and Revision

LUIZ CANDIDO

www.marchesan.com.br

