

PCA - AGRICULTURAL FRONT LOADER

PCA 800 VTR BM 110/125I BT CD JS G3

Code: 0501093047
Series: S-0815
Revision: 00
Date Revision: AGOSTO/2021

PARTS CATALOGUE



MARCHESAN



PRODUCTS

Code	Description
0106111592	PCA 800 VTR BM 110/125I BT CD JS G3

ATTENTION: IMPORTANT

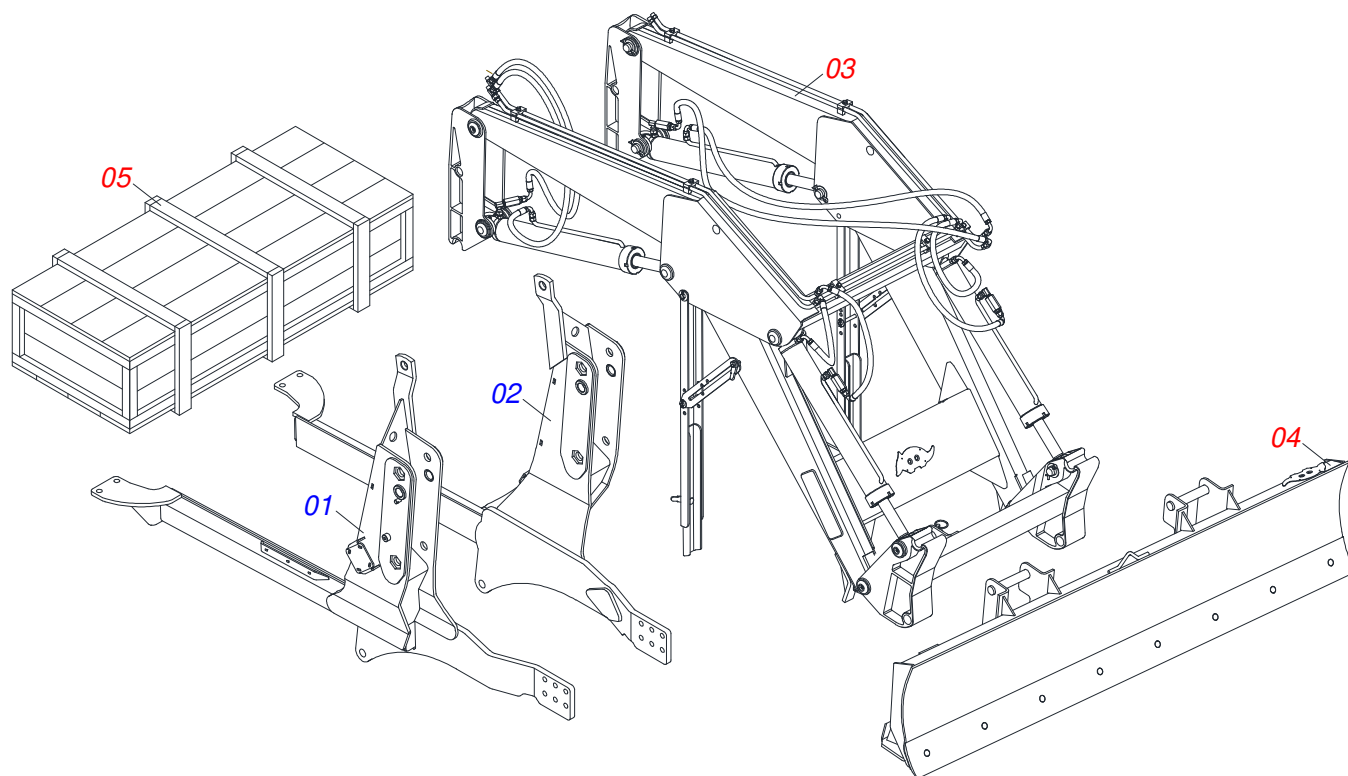
Marchesan S.A. reserves the right to improve and / or modify the technical features of its products, without obligation to do the same with those products already sold and without prior knowledge of the dealer or the consumer.



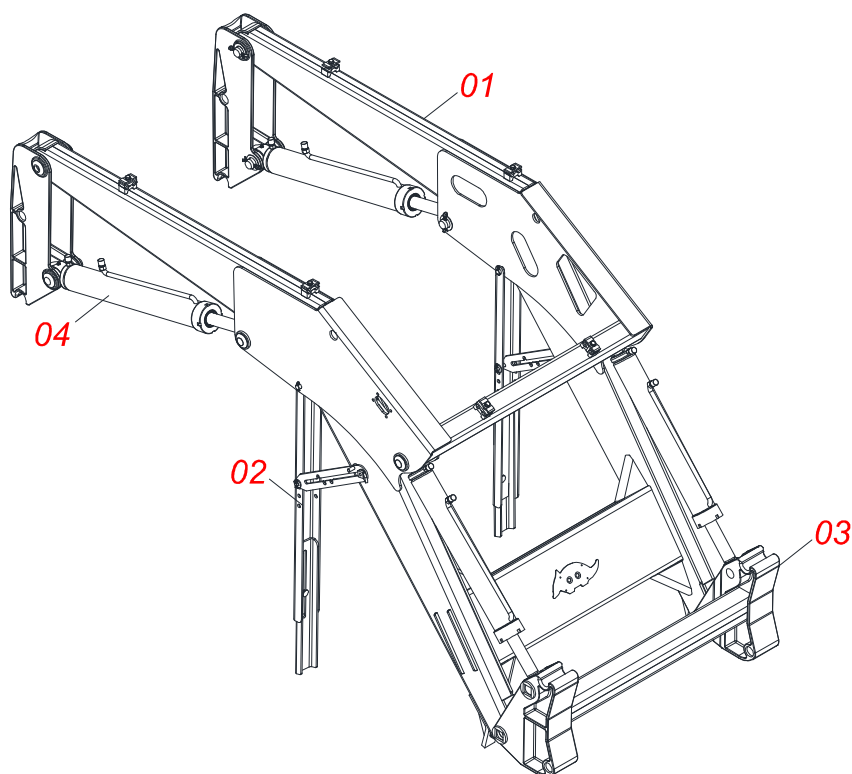
MARCHESAN

INDEX

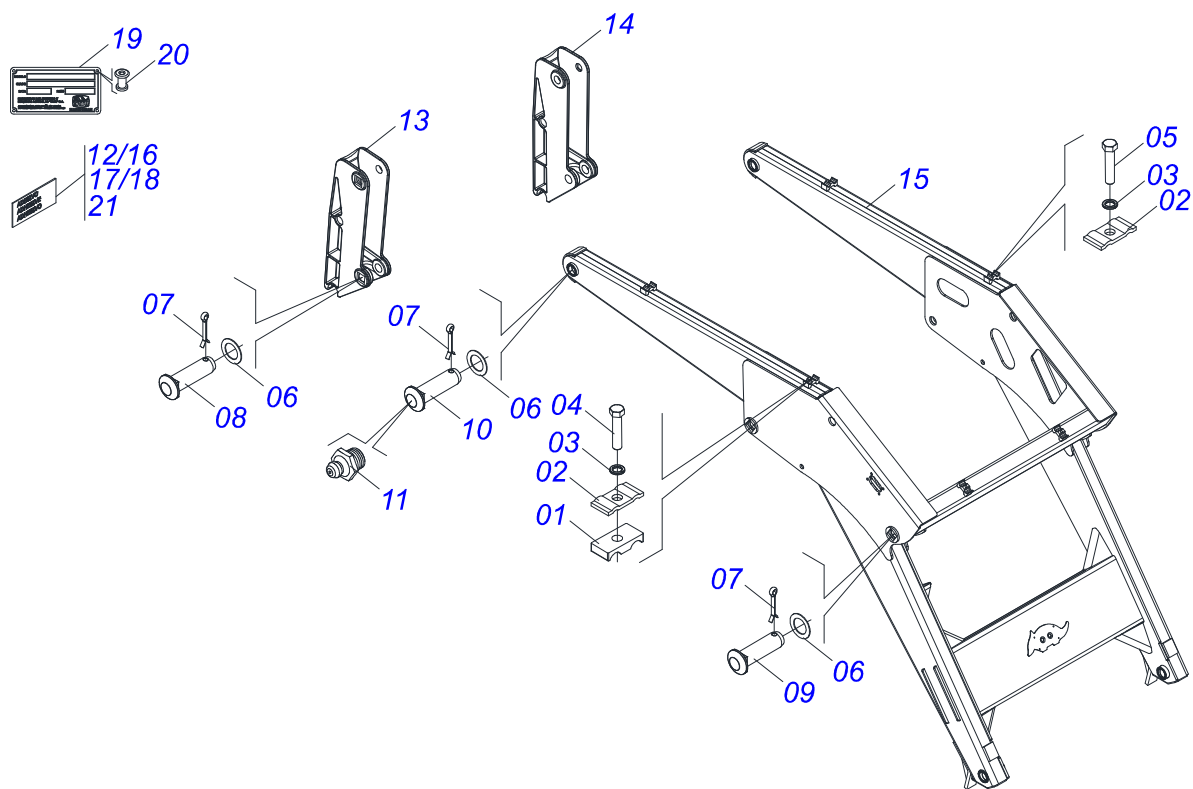
0106111592	PCA 800 VTR BM 110/125I BT CD JS G3	1
0511046400	MOBILE SUPPORT ASSY	2
0909095840	MOBILE SUPPORT	3
0909095854	REST OF MOVEL SUPPORT	4
0909095428	ARTICULATION	5
0909095856	HYDRAULIC SYSTEM	6
0511057974	44,45 X 85,72 X 870 X 593 HYDRAULIC CYLINDER	7
0511057973	HIDRAULIC CYLINDER 44,45 X 76,20 X 820 X 551	8
0511057772	SECURITY VALVE ASSY	9
0501053834	MALE QUICK COUPLER WITH CAP - 1/2 NPT	10
0511043382	DOZER BLADE 2400	11
0521022043	BOX WITH COMPONENTS	12
0511058294	TANK MOUTH EXTENDER	13
0521045393	SET SUPPORT JOY STICK	14
0521046067	COMMAND 1/2 FULL MOUNTED JOY	15
0501041849	ASSY 1.1/4 NC X 910 ROD	16
0501041652	FULL 1.1/4" X 31.88" ROD ASSY	17
0511058362	HOSE GAME	18
0511031975	PACKAGED PARTS	19
0501053835	FEMALE QUICK COUPLER	20



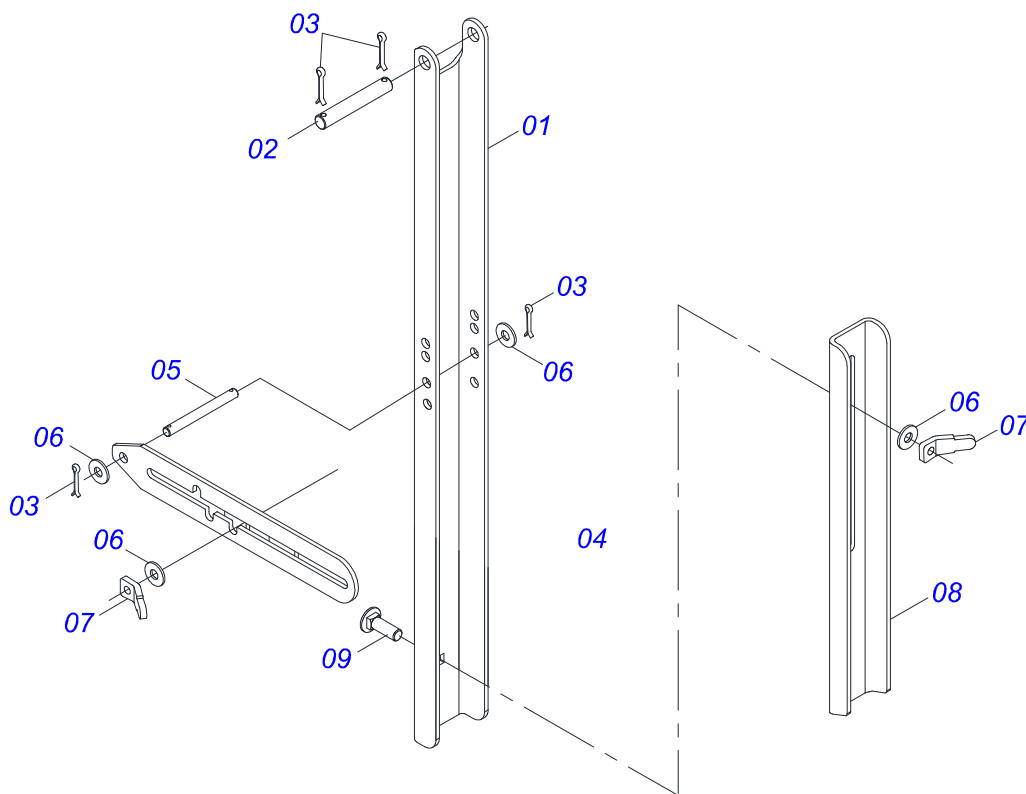
Item	Code	Description	See page	QT
001	0521066560	RIGHT FRAME		01
002	0521066563	LEFT FRAME		01
003	0511046400	MOBILE SUPPORT ASSY	2	01
004	0511043382	DOZER BLADE 2400	11	01
005	0521022043	BOX WITH COMPONENTS	12	01



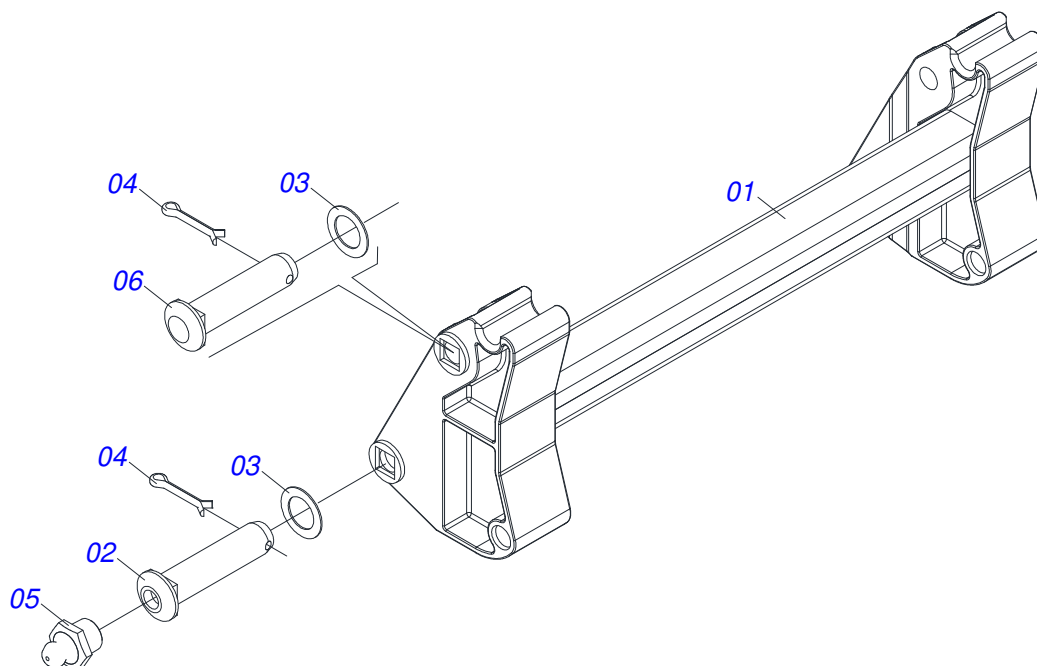
Item	Code	Description	See page	QT
01	0909095840	MOBILE SUPPORT	3	01
02	0909095854	REST OF MOVEL SUPPORT	4	01
03	0909095428	ARTICULATION	5	01
04	0909095856	HYDRAULIC SYSTEM	6	01



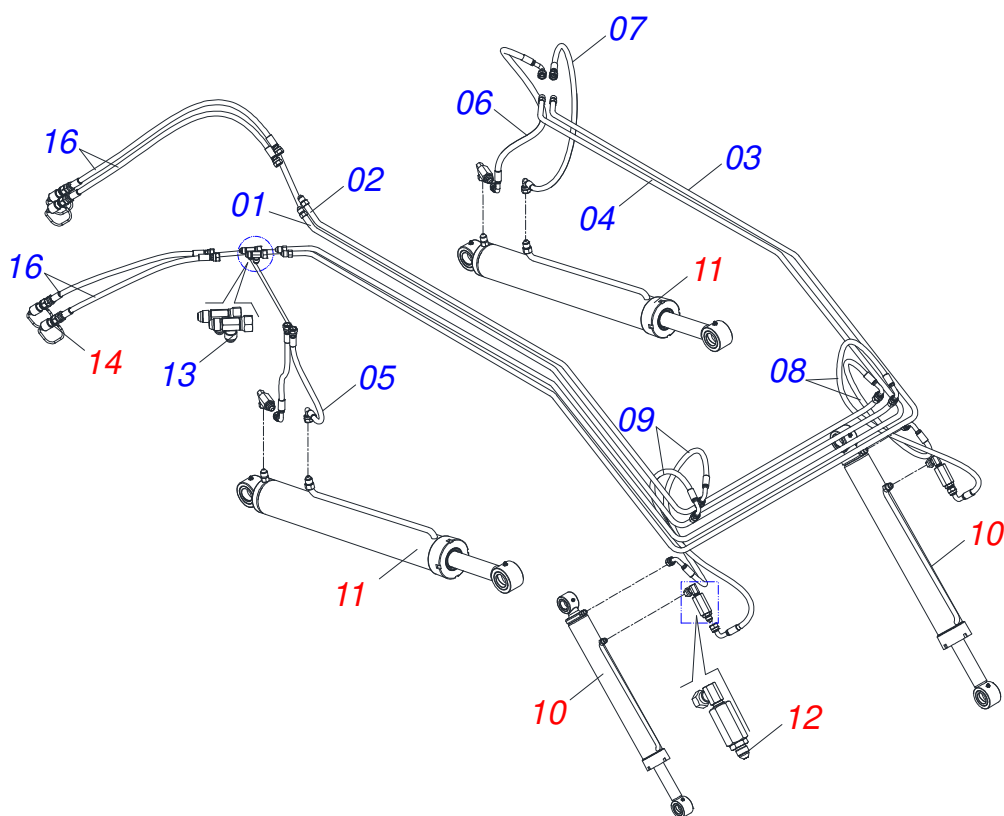
Item	Code	Description	See page	QT
01	0502010477	HOSE CLAMP		04
02	0503011180	UPPER CLAMP BODY		06
03	0503010180	7/16" SPRING WASHER		06
04	0503012555	SCREW 7/16 UNC X 2 CS RT G.7 ZN		04
05	0503011102	BOLT 7/16 UNC X 1.1/4 C S G.5 ZN		02
06	0511019685	FLAT WASHER		08
07	0503010534	3/8 X 2-1/2 COTTERPIN		08
08	0521012869	COUPLING SHAFT		02
09	0521012868	1.4" X 5" PIVOT SHAFT		04
10	0521012870	1.46" X 6.18" PIVOT SHAFT		02
11	0503010002	1800 GREASE FITTING		02
12	0503062217	SET LABEL ADHESIVE		01
13	0502012472	MOBILE TOWER		01
14	0502012473	LEFT MOBILE TOWER		01
15	0511066050	MOBILE SUPPORT		01
16	0503031087	ADHESIVE LABEL		01
17	0503031428	READ MANUAL DECAL		01
18	0503031827	LUBRICATE AND RETIGHTEN DAILY DECAL		01
19	0503034003	SERIAL NUMBER TAG 61 X 118		01
20	0503010001	3.2 X 5.5 RIVET		04
21	0503034078	LIFTING POINTS DECAL		01



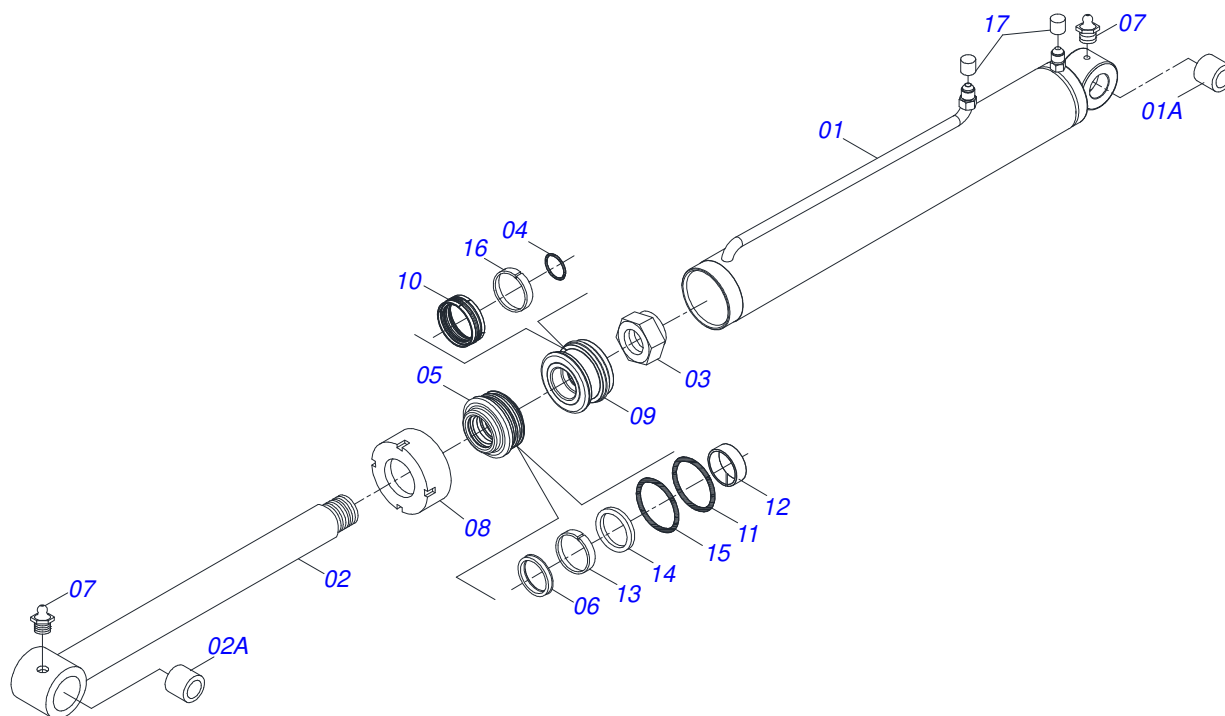
Item	Code	Description	See page	QT
01	0561016401	PLOUGH SUPPORT BODY		02
02	0511013598	3/4" X 4.7" COUPLING SHAFT		02
03	0503010071	3/16" X 1" COTTERPIN		08
04	0511019634	CONTROL LOCK		02
05	0521012823	COUPLING SHAFT		02
06	0511017302	FLAT WASHER		08
07	0561016329	LATCH HOLDER REST PCA		04
08	0561016619	COMPLEMENTON REST		02
09	0503014378	1/2" X 1-1/2" BOLT		02



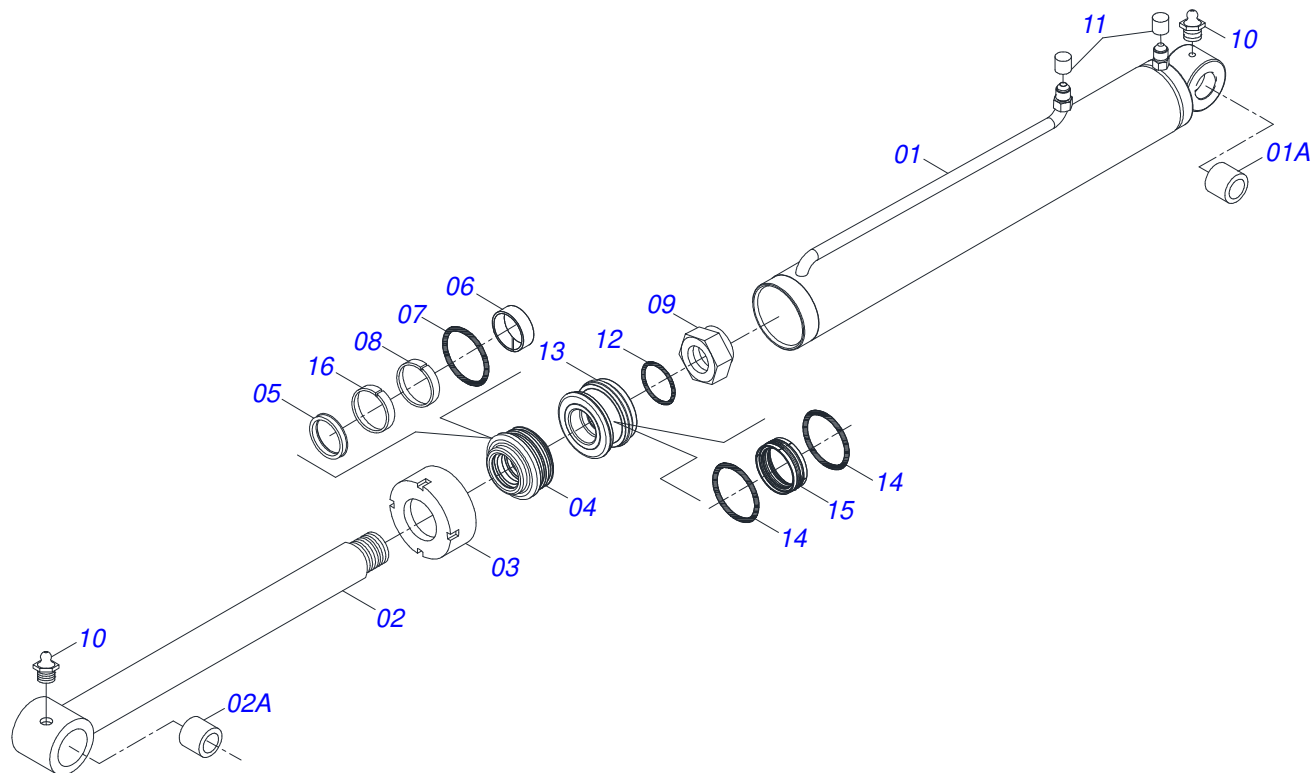
Item	Code	Description	See page	QT
01	0501069939	PIVOT SUPPORT		01
02	0521012870	1.46" X 6.18" PIVOT SHAFT		02
03	0511019685	FLAT WASHER		04
04	0503010534	3/8 X 2-1/2 COTTERPIN		04
05	0503010002	1800 GREASE FITTING		02
06	0521012869	COUPLING SHAFT		02



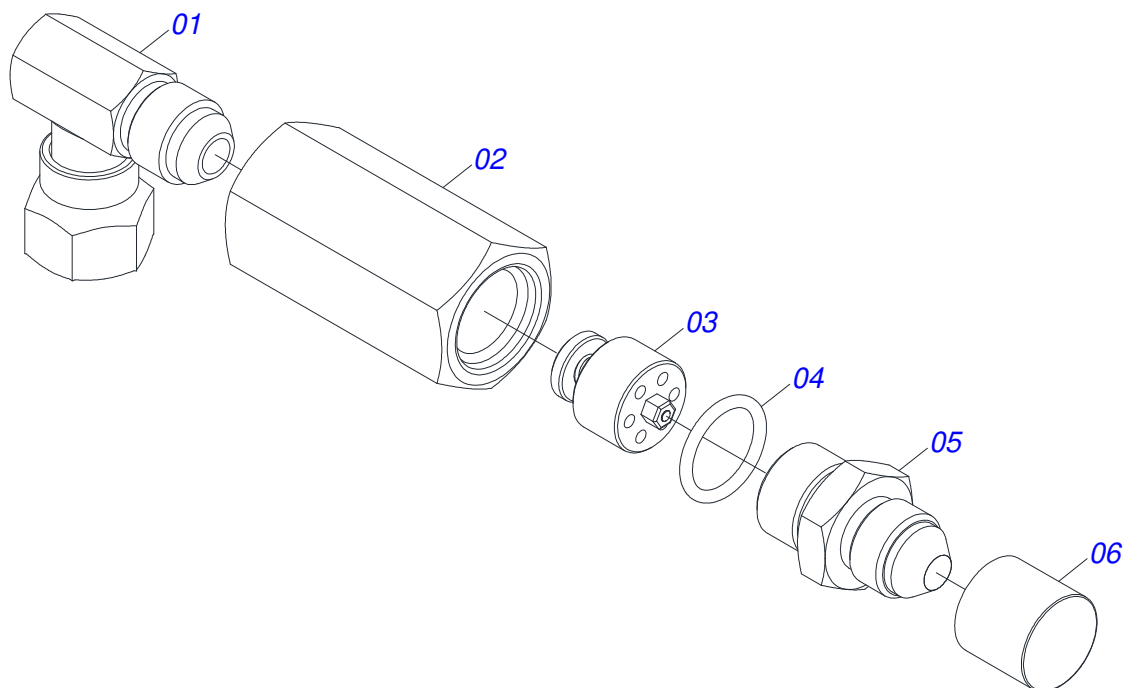
Item	Code	Description	See page	QT
01	0501069857	RIGHT RIGHT OIL TUBE		01
02	0501069858	LH RIGHT OIL TUBE		01
03	0521061821	OUTER DISTRIBUTOR TUBE OIL		01
04	0521061820	INNER DISTRIBUTOR TUBE OIL		01
05	0501080150	HOSE ASSY		02
06	0501080766	3/8" X 27.56" TC-TC HOSE		01
07	0501080105	TR-TR HOSE ASSY		01
08	0501080688	3/8" X 25" TC-TC 90G HOSE		01
09	0501080777	LH 3/8" X 25.9" TC-TC HOSE		01
10	0511057974	44,45 X 85,72 X 870 X 593 HYDRAULIC CYLINDER	7	02
11	0511057973	HIDRAULIC CYLINDER 44,45 X 76,20 X 820 X 551	8	02
12	0511057772	SECURITY VALVE ASSY	9	04
13	0503011968	3/4" 8R6X-S T ADAPTER WITH SWIVEL NUT		02
14	0501053834	MALE QUICK COUPLER WITH CAP - 1/2 NPT	10	04
15	0501080745	3/8" X 25" TC-TC HOSE ASSY		02
16	0501080796	1/2" X 1400 TC-TM HOSE		04



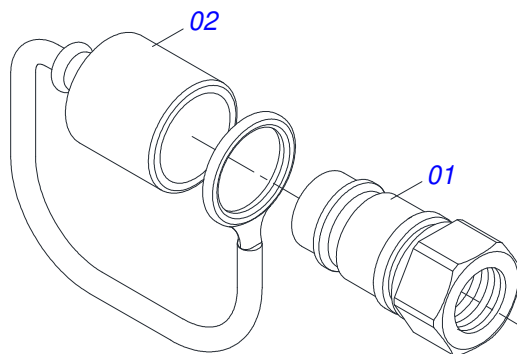
Item	Code	Description	See page	QT
01	0511069198	BODY SHIRT WITH MAKING		01
01A	0521010514	38,1 X 52,9 X 50 SLEEVE INTER		02
02	0521066404	44,45 X 772 TURNBUCKLE		01
03	0503010063	1" SELF-ALIGNING NUT		01
04	0503010042	2-214 N 3006-9B O'RING		01
05	0571019711	RING SUPPORT		01
06	0503010761	D-1750 SCRAPER RING		01
07	0503010002	1800 GREASE FITTING		02
08	0571019709	DETACHABLE COVER		01
09	0571019710	1.7" X 3.4" PISTON		01
10	0503017935	RING		01
11	0503017936	RING		01
12	0503017938	RING GUIDE		01
13	0503017937	GASKET		01
14	0503017940	8-337 BACK-UP RING		02
15	0503017939	2-337 N 3006-9B O' RING		02
16	0503018144	RING		01
17	0503030385	CYLINDER PLUG N-002		02
18	0511032784	HYDRAULIC CYLINDER REPAIR KIT		01



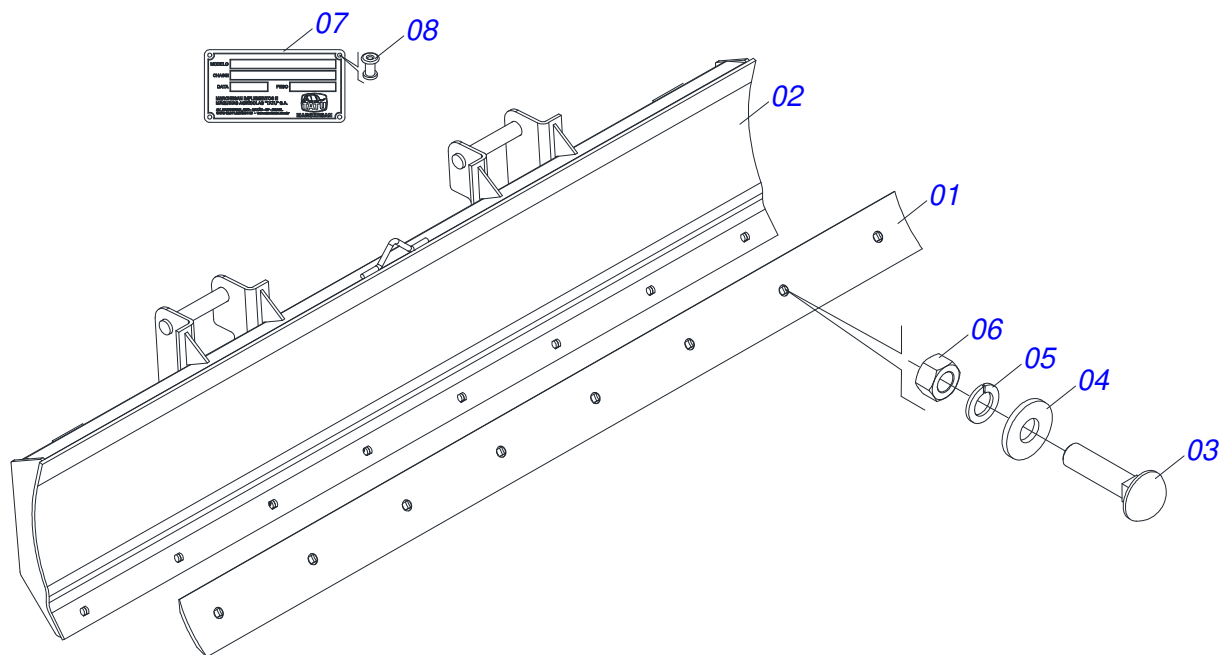
Item	Code	Description	See page	QT
01	0521066381	CYLINDER CASE 76,20 X 723		01
01A	0501110275	BUSHING COUPLING 75 X 38,1 X 50		02
02	0511065578	1.7" X 28.18" TURNBUCLE		01
03	0502012264	RING SUPPORT 1.75" X 3"		01
04	0503010761	D-1750 SCRAPER RING		01
05	0503010949	W2-2000-500 PK RING G.E		01
06	0503010343	2-334 N 3006-9B O'RING		01
07	0503011059	8-334 BACK-UP RING		01
08	0503010063	1" SELF-ALIGNING NUT		01
09	0503010002	1800 GREASE FITTING		02
10	0503030385	CYLINDER PLUG N-002		02
11	0503010042	2-214 N 3006-9B O'RING		01
12	0581010304	PISTON		01
13	0503018138	RING BS		02
14	0503018140	RING GUIDE		01
15	0503017937	GASKET		01
16	0502011899	MOBILE COVER		01
17	0511032725	HYDRAULIC CYLINDER REPAIR KIT		



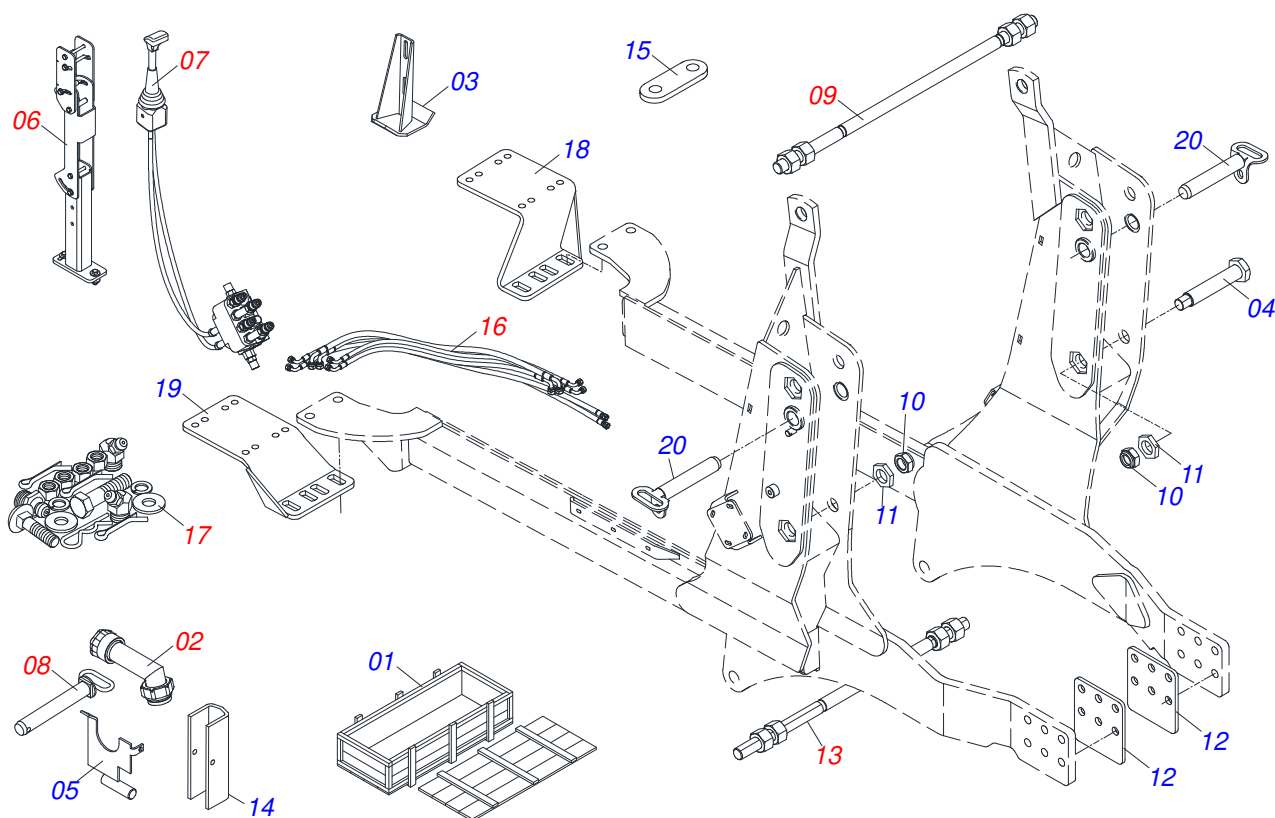
Item	Code	Description	See page	QT
01	0503018034	MALE KNEE JIC		01
02	0581014055	ADAPTER		01
03	0503016854	VALVE ASSY		01
04	0503010045	O'RING		01
05	0581014054	BSP 1/2" NIPPLE		01
06	0503030385	CYLINDER PLUG N-002		01



Item	Code	Description	See page	QT
01	0503011627	MALE QUICK COUPLER AGR 1/2 NPT		01
02	0503011882	MALE QUICK COUPLER CAP		01

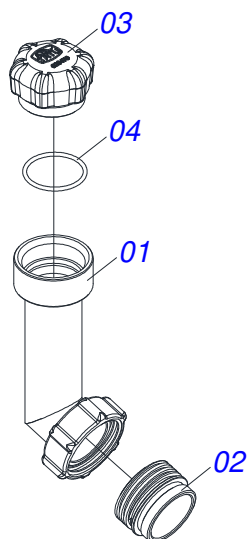


Item	Code	Description	See page	QT
01	0622360016	94.5" SCRAPER REVERSIBLE		01
02	0501069112	2400MM DOZER BLADE		01
03	0501812240	BOLT		08
04	0501812140	FLAT WASHER		08
05	0503011445	SPRING WASHER		08
06	0503810013	NUT 5/8 NC		08
07	0503034003	SERIAL NUMBER TAG 61 X 118		01
08	0503010001	3.2 X 5.5 RIVET		04

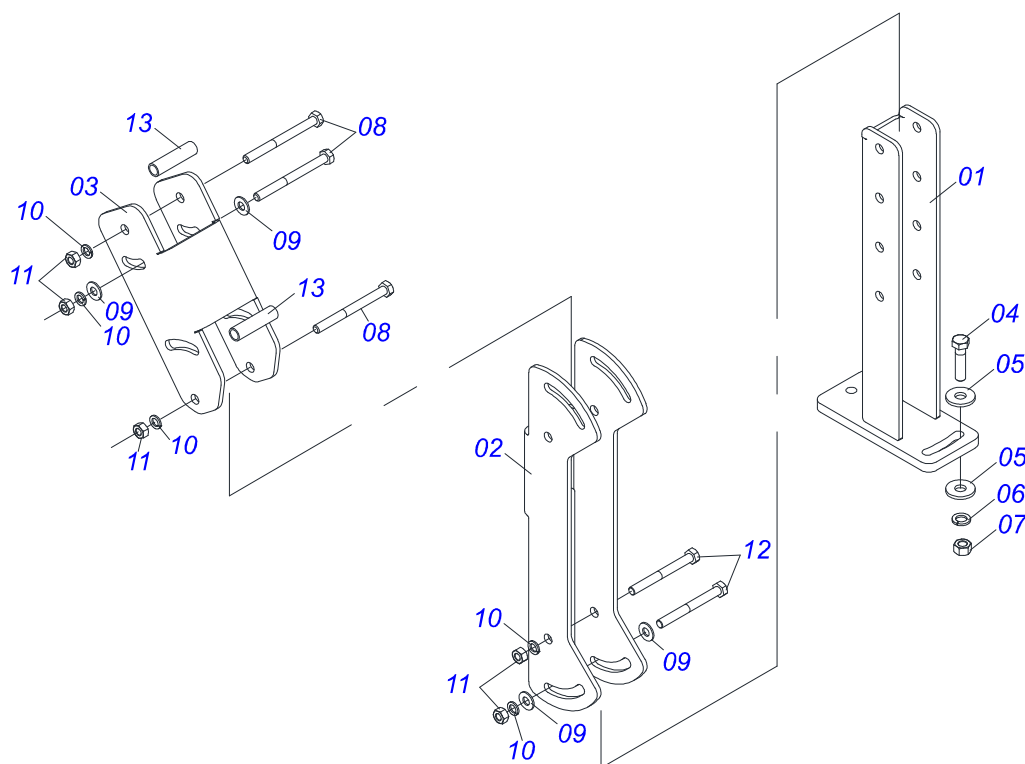


Item	Code	Description	See page	QT
01	0501100029	WOODEN BOX		01
02	0511058294	TANK MOUTH EXTENDER	13	01
03	0501063411	ESTABILIZER BRACKET		02
04	0581010706	1.1 / 4 UNF X 207 SCREW		02
05	0521066567	FILTER PROTECTOR - VTR BM 110 S0815		01
06	0521045393	SET SUPPORT JOY STICK	14	01
07	0521046067	COMMAND 1/2 FULL MOUNTED JOY	15	01
08	0521066515	37,20 X 240 ARTICULATION SHAFT WITH HANDLE		02
09	0501041849	ASSY 1.1/4 NC X 910 ROD	16	01
10	0503010044	1-1/4" SELF LOCKING NUT		02
11	0581010243	WASHER HEX		02
12	0581010766	KNOCKER - PD VTR BM 110 S-0815		02
13	0501041652	FULL 1.1/4" X 31.88" ROD ASSY	17	01
14	0551010280	253 TRANSPORT LOCK		02
15	0581010770	SUPORTE PARA DESVIO CAIXA FERRAMENTA		01
16	0511058362	HOSE GAME	18	01
17	0511031975	PACKAGED PARTS	19	01
18	0521066568	LEFT DIFFERENTIAL SUPPORT - VTR BM 110 S0815		01
19	0521066569	DIFFERENTIAL RIGHT SUPPORT - VTR BM 110 S0815		01
20	0521061681	SUPPORT FIXER AXLE		02

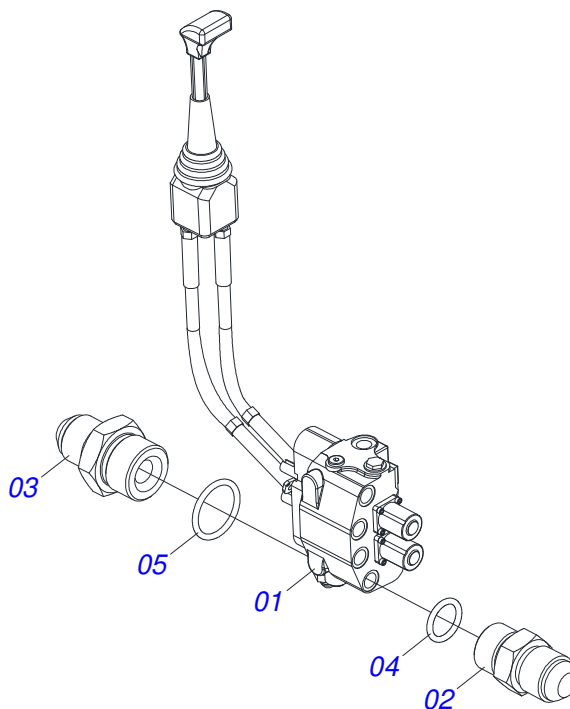
TANK MOUTH EXTENDER



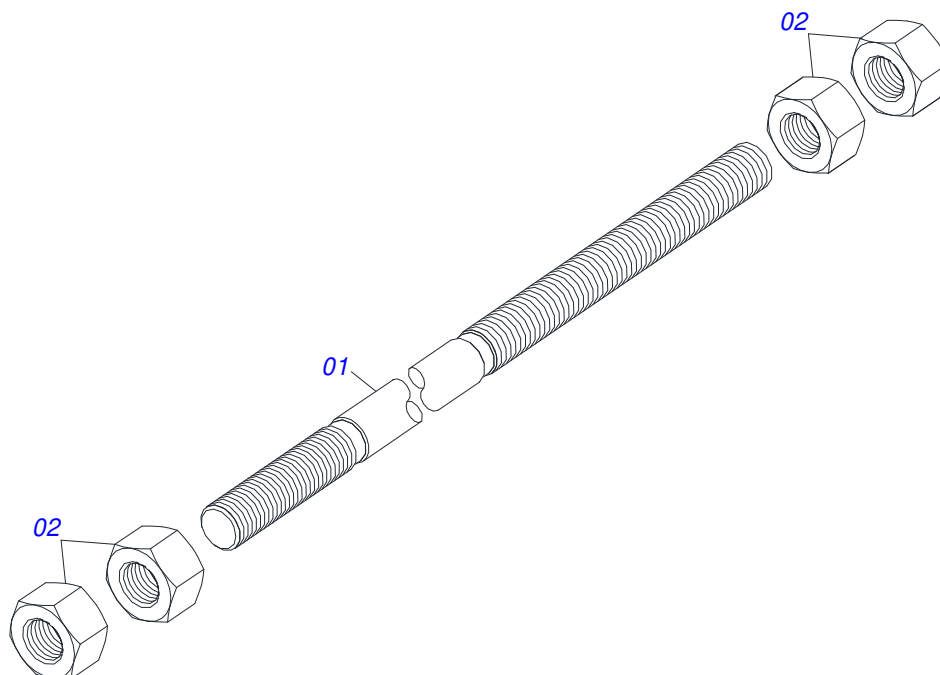
Item	Code	Description	See page	QT
01	0521066566	TANK MOUTH EXTENDER		01
02	0511011777	EXTENDER		01
03	0502020549	TANK COVER		01
04	0503010141	2-226 N 3006-9B O'RING		02



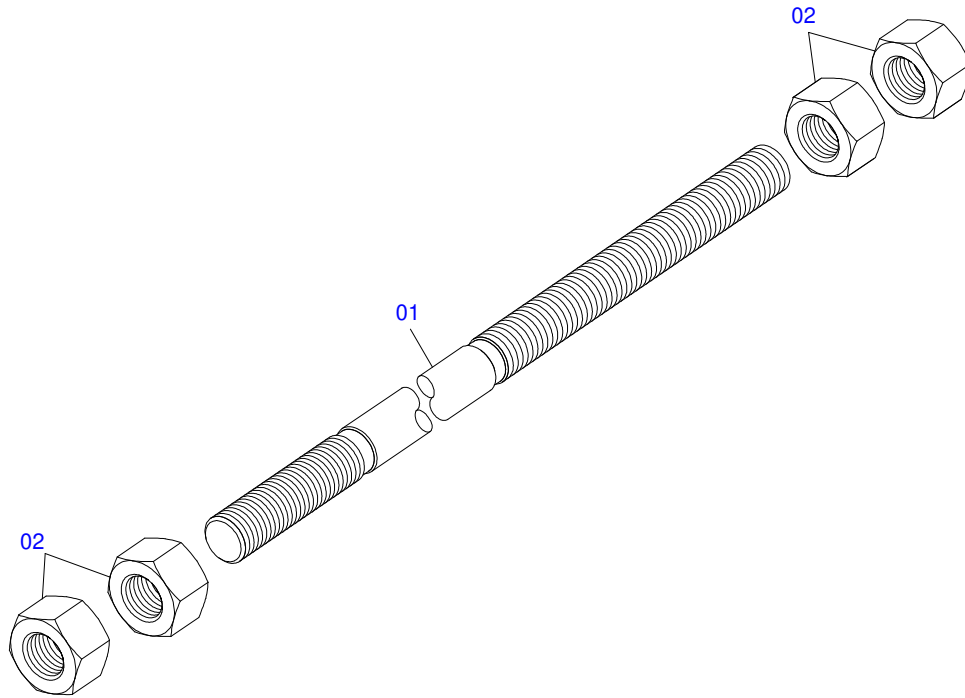
Item	Code	Description	See page	QT
01	0521065789	LOWER JOYSTICK SUPPORT		01
02	0571018376	CENTRAL BODY SUPPLEMENT OF JOYSTICK		01
03	0571018375	SUPERIOR BODY SUPPLEMENT OF JOYSTICK		01
04	0503010849	3/8" X 1-1/2" BOLT		02
05	0501010984	FLAT WASHER		02
06	0503010025	3/8" SPRING WASHER		02
07	0503010026	3/8" NUT		02
08	0503010848	5/16" X 3.1/2" BOLT		04
09	0501010694	8.5 X 18 X 1.5 FLAT WASHER		06
10	0503010179	5/16" ZN SPRING WASHER		06
11	0503010337	5/16" NUT		06
12	0503011053	5/16" X 3" C S 6.5 ZN BOLT		02
13	0541015551	0.39" X 0.512" X 1.9" SLEEVE		02



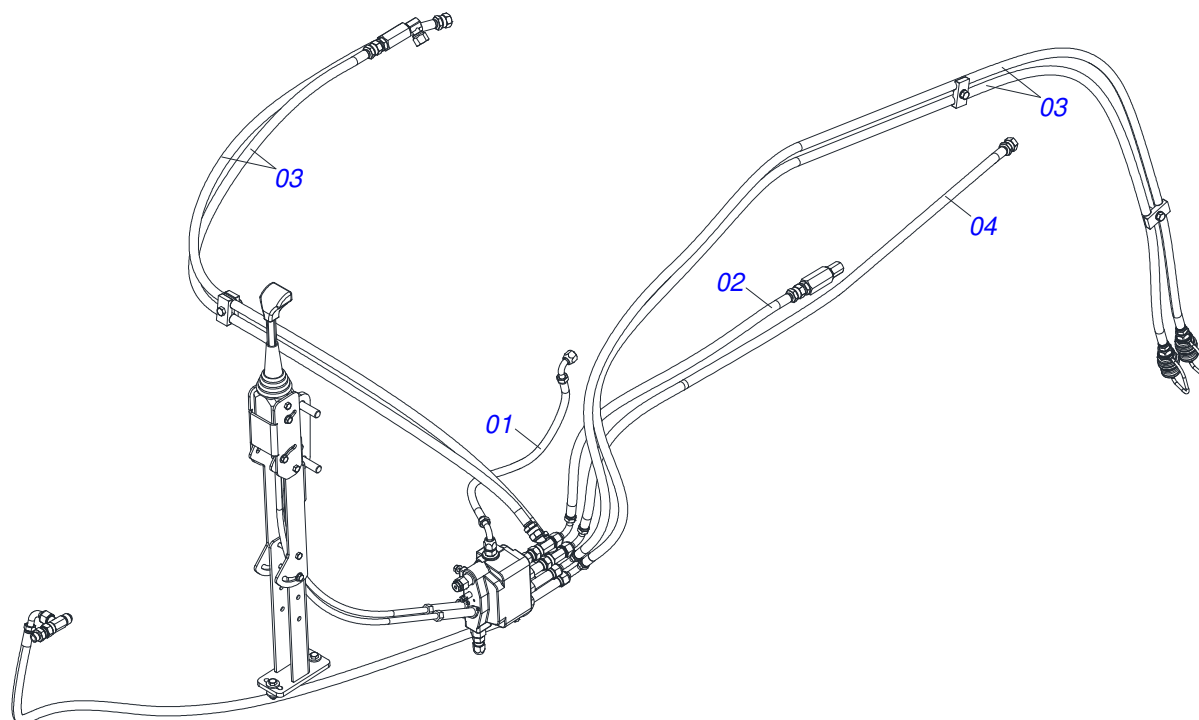
Item	Code	Description	See page	QT
001	0503062415	COMPLETE JOYSTICK CONTROL SDM122/2		01
002	0501010590	NIPPLE		04
003	0511018014	7/8"NF X 1.1/16 UN NIPPLE		03
004	0503010190	2-114 N 3006-9B O'RING		04
005	0503011109	2-119 N 3006-9B O'RING		03



Item	Code	Description	See page	QT
01	0501014914	1.1/4" X 910 ROD		01
02	0501010087	1.1/4" NUT		04

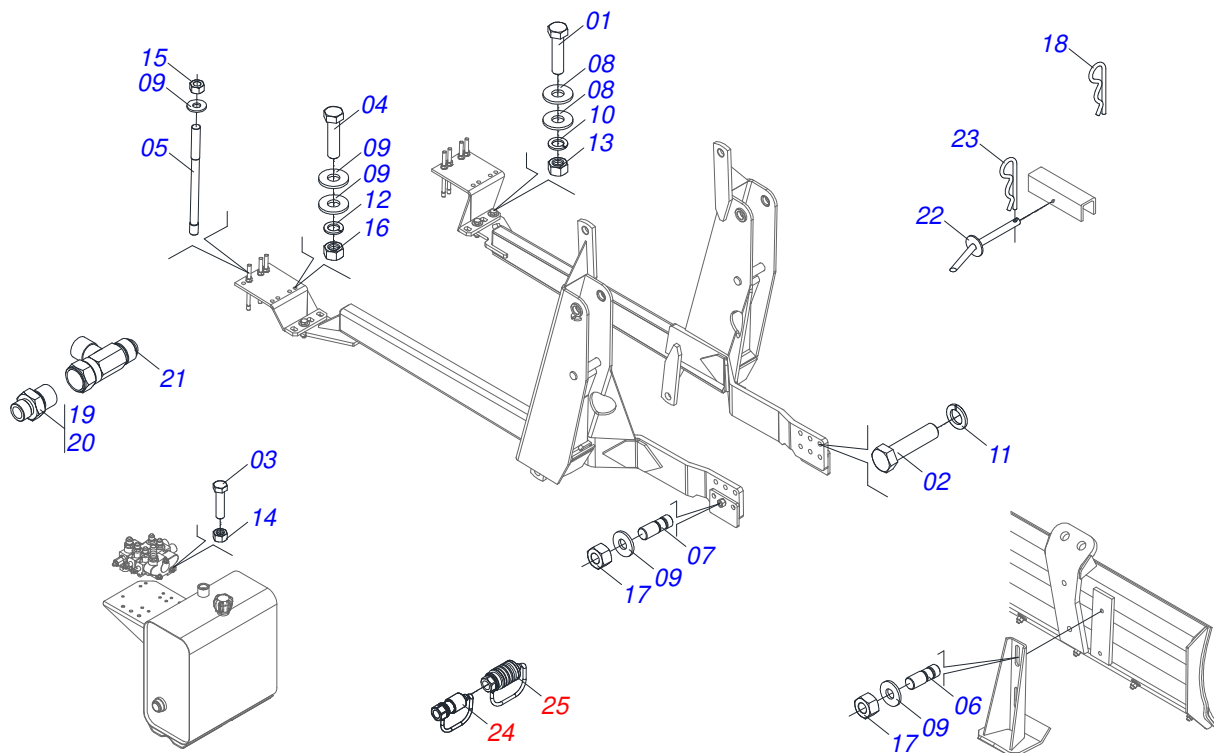


Item	Code	Description	See page	QT
01	0501014916	1.1/4" X 31.88" ROD		01
02	0501010087	1.1/4" NUT		04

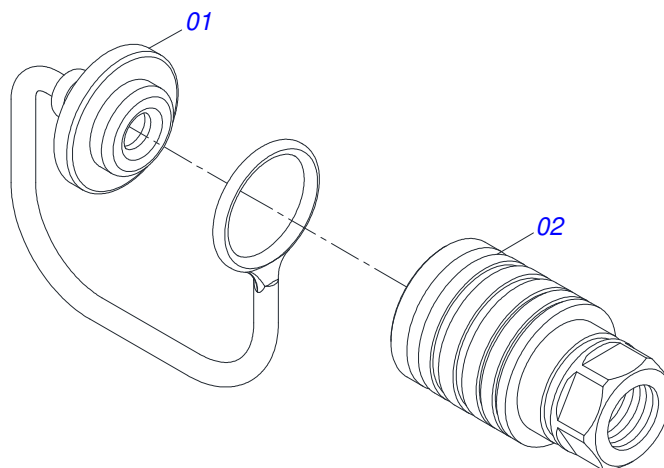


Item	Code	Description	See page	QT
01	0501080058	HOSE 1/2 X 1400 TR-TC		01
02	0501080840	1/2" X 1400 TC-TC HOSE		01
03	0501080327	HOSE 1/2 X 1500 TR-TR		04
04	0501080101	1/2 X 2400 TR-TR HOSE		01

PACKAGED PARTS



Item	Code	Description	See page	QT
01	0503010743	1/4" X 1-1/4" BOLT		03
02	0503015114	BOLT		04
03	0503010849	3/8" X 1-1/2" BOLT		02
04	0501010500	3/4"X3"BOLT		04
05	0501011426	5/8" X 5/8" X 9.45" STUD		08
06	0561016756	3/4 UNC X 3/4 UNC X 56 PRISONER		04
07	0501010603	3/4" X 3.74" STUD		12
08	0501010694	8.5 X 18 X 1.5 FLAT WASHER		03
09	0501010322	FLAT WASHER		12
10	0503010143	1/4" SPRING WASHER		03
11	0503010179	5/16" ZN SPRING WASHER		04
12	0503010023	3/4" SPRING WASHER		16
13	0503010144	1/4" NUT		03
14	0503010026	3/8" NUT		02
15	0503010013	5/8" NUT		16
16	0503010014	3/4" NUT		08
17	0503010335	3/4"NUT		12
18	0503030012	HAIR PIN		02
19	0581010731	NIPLE R1.1/16 JIC X 7/8 UNF JIC		01
20	0581010732	NIPLE R.7/8 UNF X R.1.1/16 JIC INTER		01
21	0503012341	T 7/8" ADAPOR GIRAT NUT		01
22	0501068994	0.3" X 3.1"LOCK PIN		02
23	0503030168	HAIR PIN		02
24	0501053834	MALE QUICK COUPLER WITH CAP - 1/2 NPT	10	02
25	0501053835	FEMALE QUICK COUPLER	20	02



Item	Code	Description	See page	QT
01	0503011883	QUICK CONNECTION COVER		01
02	0503011628	FEMALE QUICK COUPLER		01



MARCHESAN

Technical Publications | Elaboration and Revision

LUIZ CANDIDO

www.marchesan.com.br

