

PCA - AGRICULTURAL FRONT LOADER

PCA 600 JD5403/5603/ BT CD 4C

Code: 0501093046
Series: S-0311
Revision: 00
Date Revision: AGOSTO/2021

PARTS CATALOGUE



MARCHESAN



PRODUCTS

Code	Description
0106111236	PCA 600 JD54/5603/5078/5085 4C BT CD

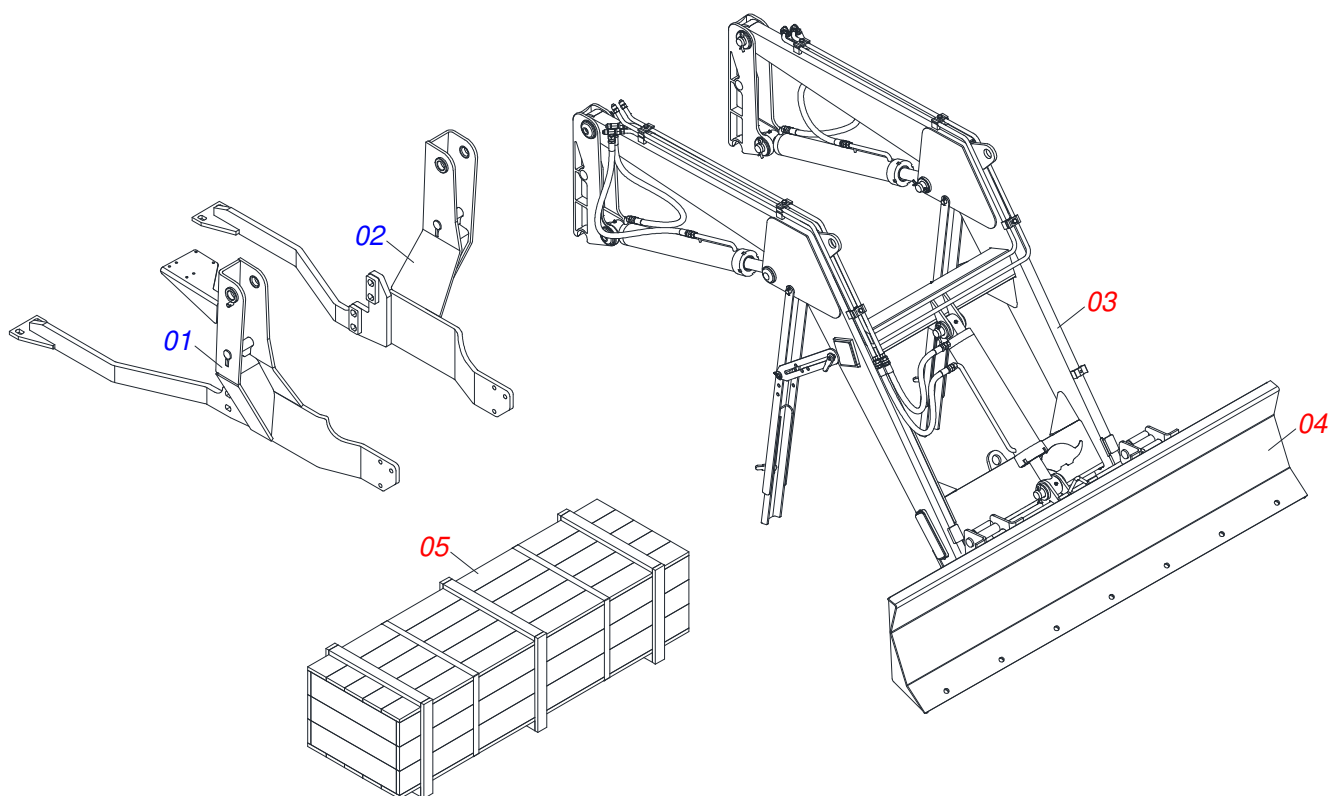
ATTENTION: IMPORTANT

Marchesan S.A. reserves the right to improve and / or modify the technical features of its products, without obligation to do the same with those products already sold and without prior knowledge of the dealer or the consumer.

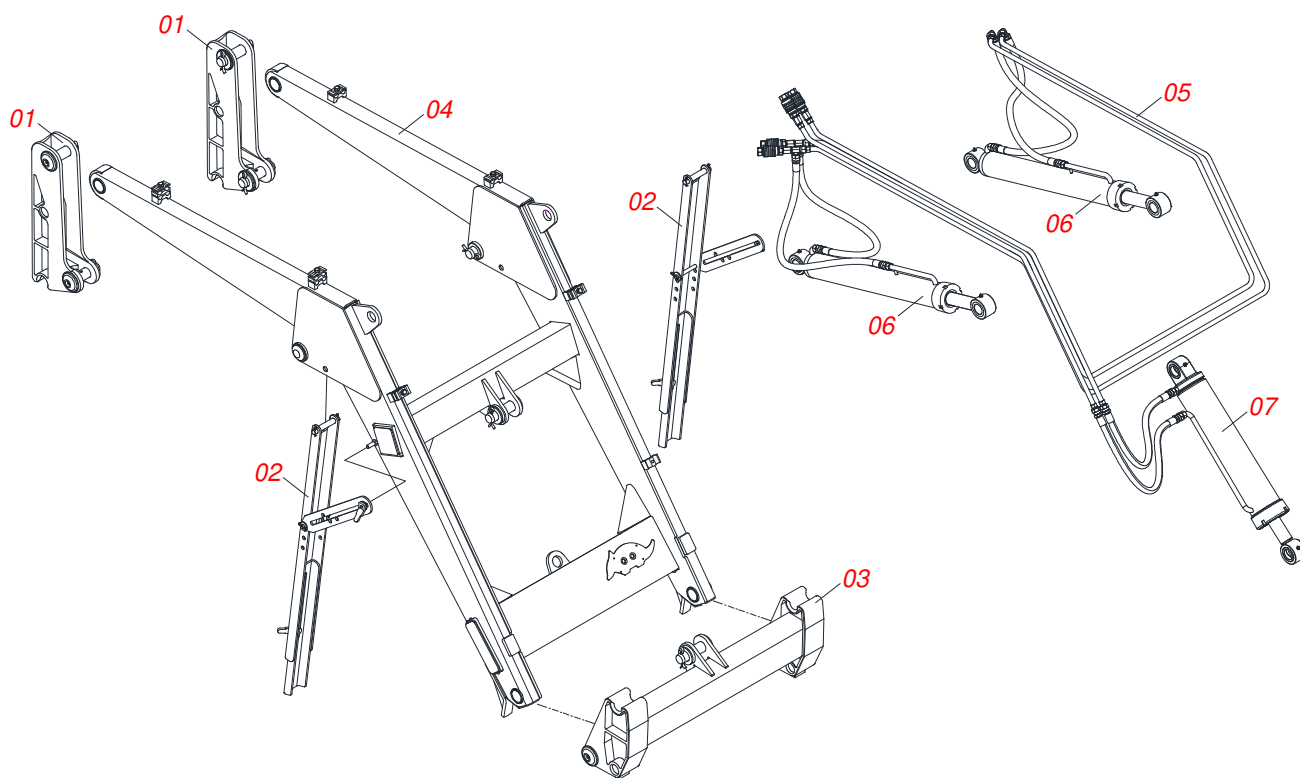


INDEX

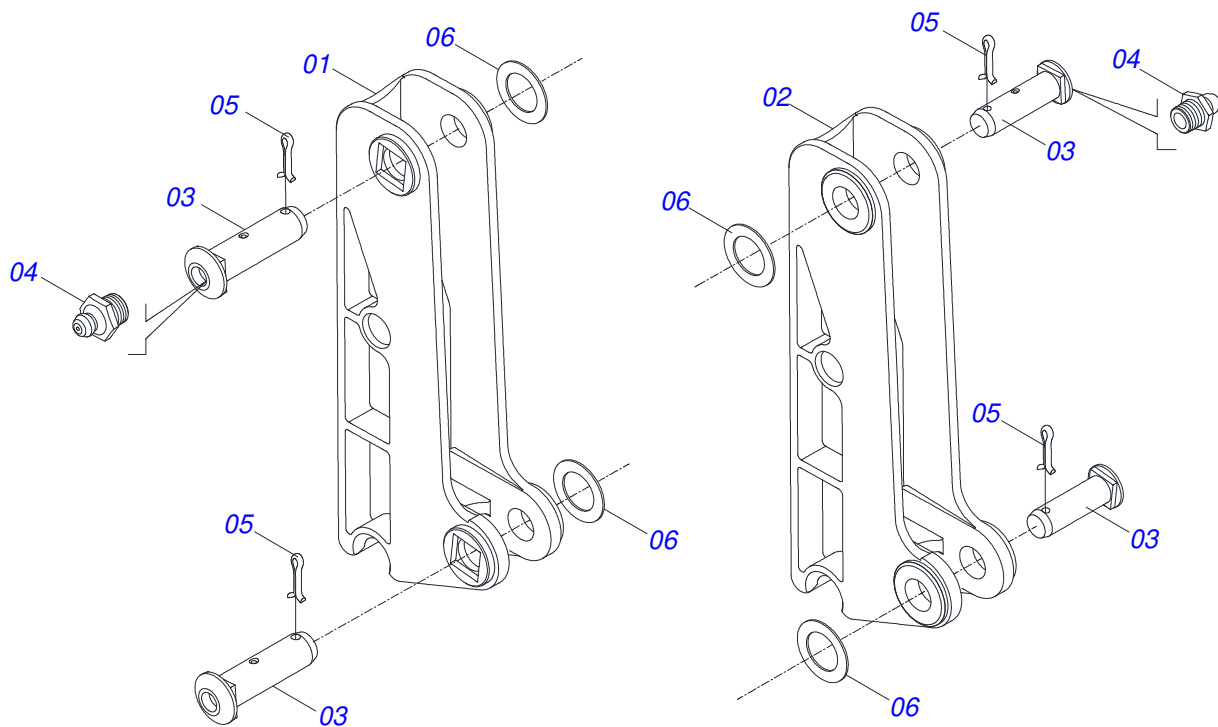
0106111236	PCA 600 JD54/5603/5078/5085 4C BT CD	1
0511049179	FULL MOVABLE STAND	2
0909094279	MOVEL TOWER AND COMPONENTS	3
0909092667	ADJUSTABLE REST OF MOVABLE SUPPORT	4
0909094826	ARTICULATOR SUPPORT AND COMPONENTS	5
0909095004	MOBILE STAND AND COMPONENTS	6
0909095398	HIDRAULIC SYSTEM OF THE MOBILLE SUPPORT	7
0521050762	44,45 X 76,20 X 865 X 555 HYDRAULIC CYLINDER	8
0511057915	44,45 X 101,60 X 702 X 738 HIDRAULIC CYLINDER	9
0511047849	LDA 2200 WITHOUT SUPPORT	10
0511025788	BOX WITH COMPONENTS	11
0511049987	DOUBLE 3/8 "COMMAND WITH PRESSURE PASSAGE	12
0511047872	ASSY 3/8" COMMAND LEVER	13
0521050880	HOSE SET	14
0501038309	PACKAGED PARTS	15
0511032522	HYDRAULIC SCHEMES	16
0501053834	MALE QUICK COUPLER WITH CAP - 1/2 NPT	17
0501053835	FEMALE QUICK COUPLER	18



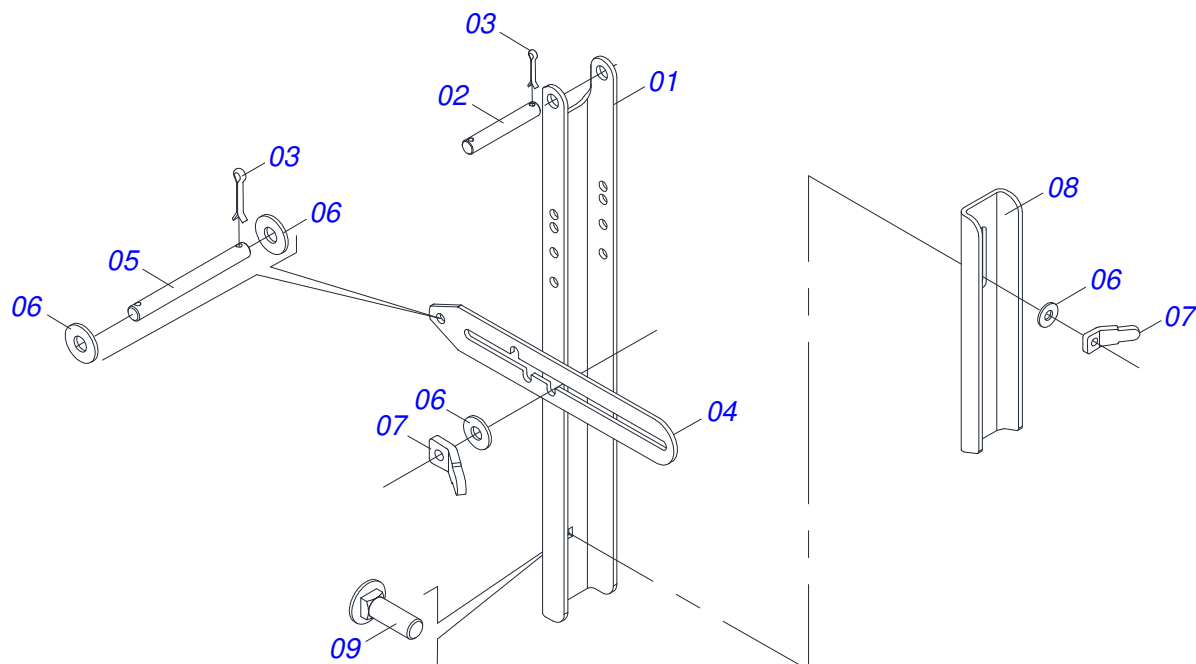
Item	Code	Description	See page	QT
001	0521062043	RIGHT FRAME		01
002	0521062042	LEFT FRAME		01
003	0511049179	FULL MOVABLE STAND	2	01
004	0511047849	LDA 2200 WITHOUT SUPPORT	10	01
005	0511025788	BOX WITH COMPONENTS	11	01



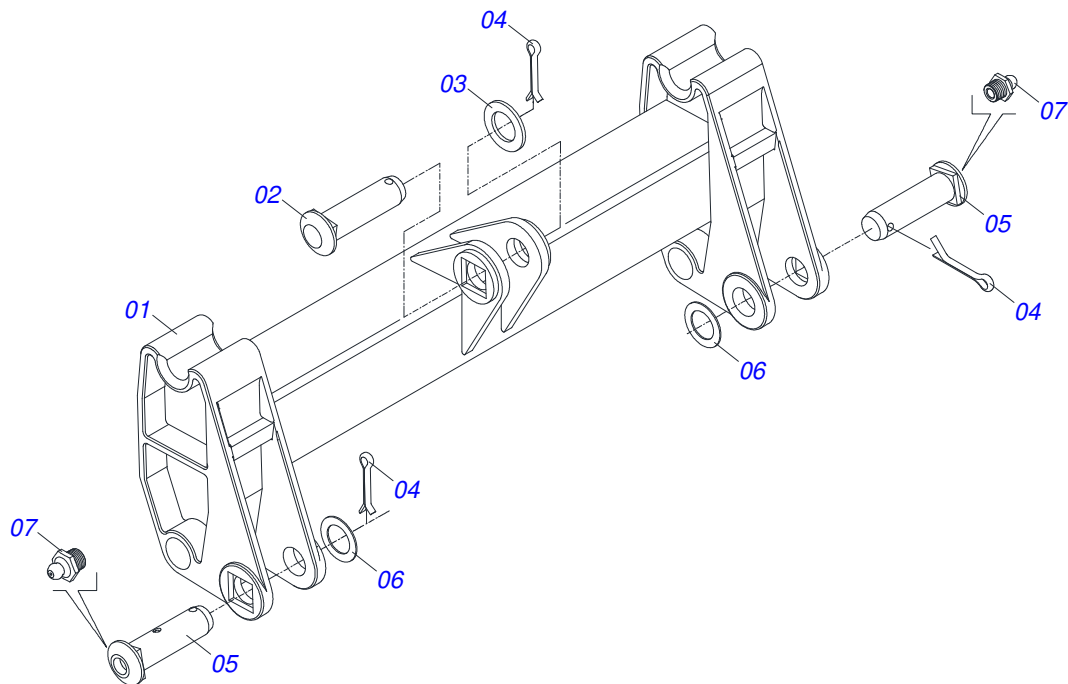
Item	Code	Description	See page	QT
01	0909094279	MOVEL TOWER AND COMPONENTS	3	02
02	0909092667	ADJUSTABLE REST OF MOVABLE SUPPORT	4	02
03	0909094826	ARTICULATOR SUPPORT AND COMPONENTS	5	01
04	0909095004	MOBILE STAND AND COMPONENTS	6	01
05	0909095398	HIDRAULIC SYSTEM OF THE MOBILLE SUPPORT	7	01
06	0521050762	44,45 X 76,20 X 865 X 555 HYDRAULIC CYLINDER	8	02
07	0511057915	44,45 X 101,60 X 702 X 738 HIDRAULIC CYLINDER	9	01



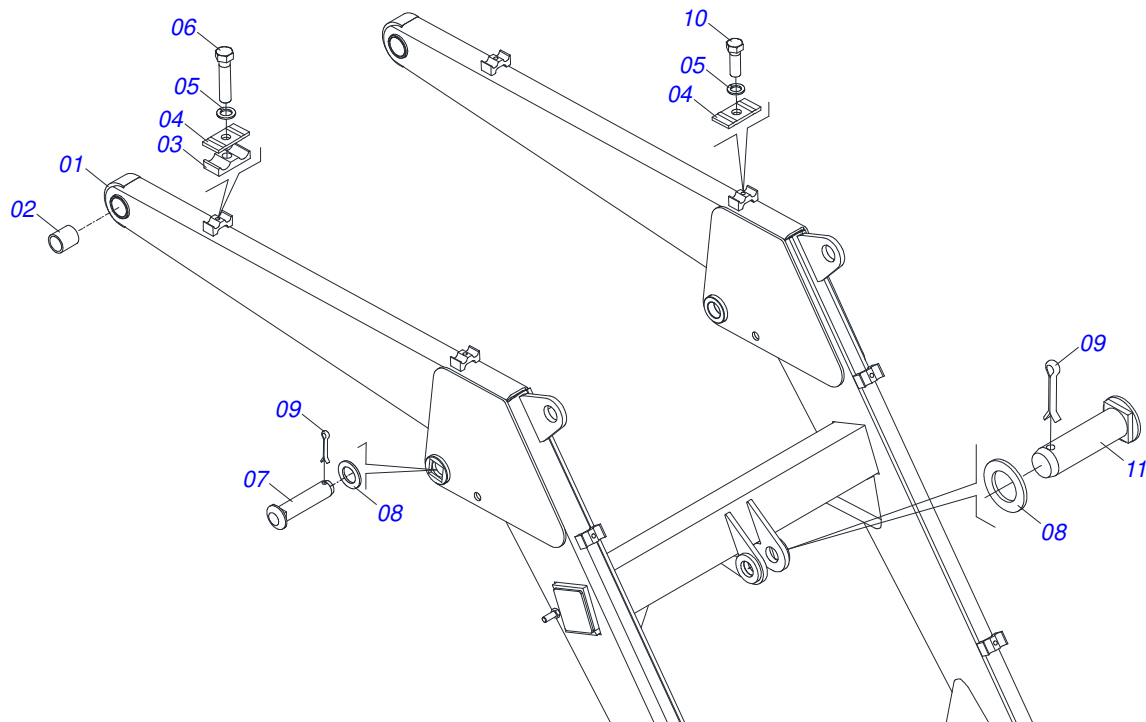
Item	Code	Description	See page	QT
01	0502012382	RIGHT MOBILE TOWER		01
02	0502012381	LEFT MOBILE TOWER		01
03	0511019519	1.5" X 1.4" PIVOT SHAFT		04
04	0503010002	1800 GREASE FITTING		04
05	0503010534	3/8 X 2-1/2 COTTERPIN		04
06	0511819685	FLAT WASHER		04



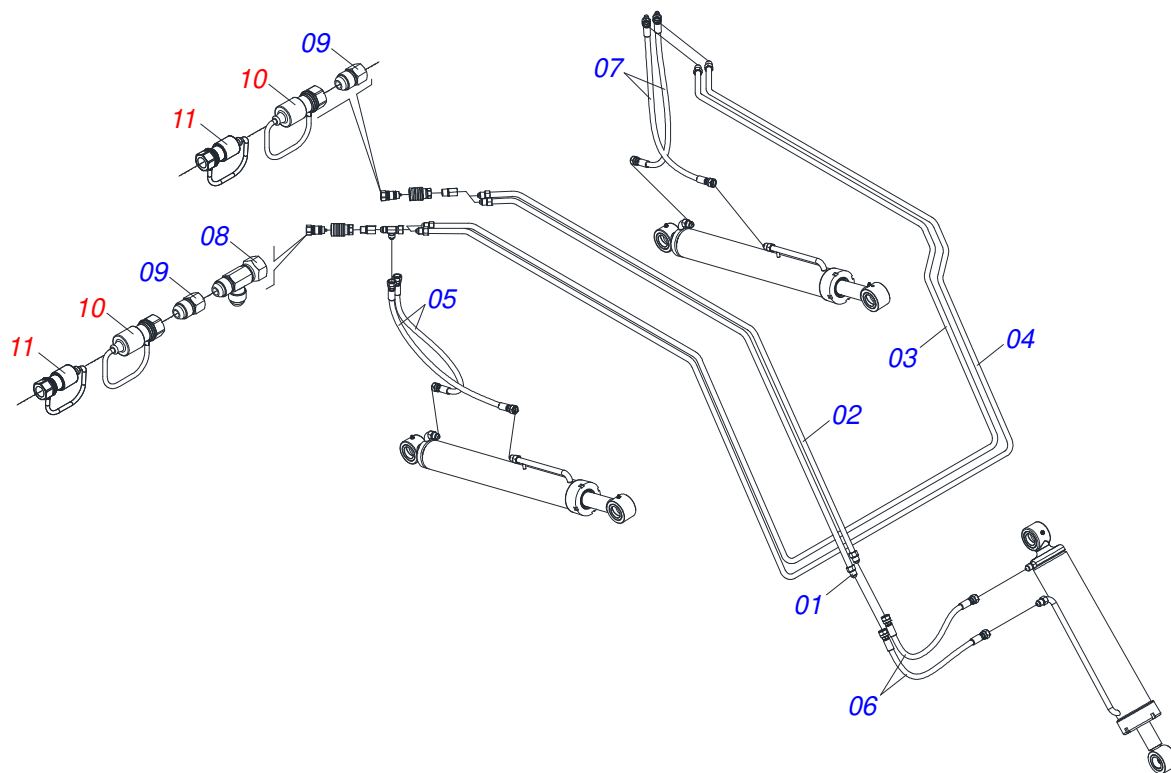
Item	Code	Description	See page	QT
01	0561016401	PLOUGH SUPPORT BODY	02	
02	0511013598	3/4" X 4.7" COUPLING SHAFT	02	
03	0503010071	3/16" X 1" COTTERPIN	08	
04	0511019634	CONTROL LOCK	02	
05	0521012823	COUPLING SHAFT	02	
06	0511017302	FLAT WASHER	08	
07	0561016329	LATCH HOLDER REST PCA	04	
08	0561016619	COMPLEMENTON REST	02	
09	0503014378	1/2" X 1-1/2" BOLT	02	



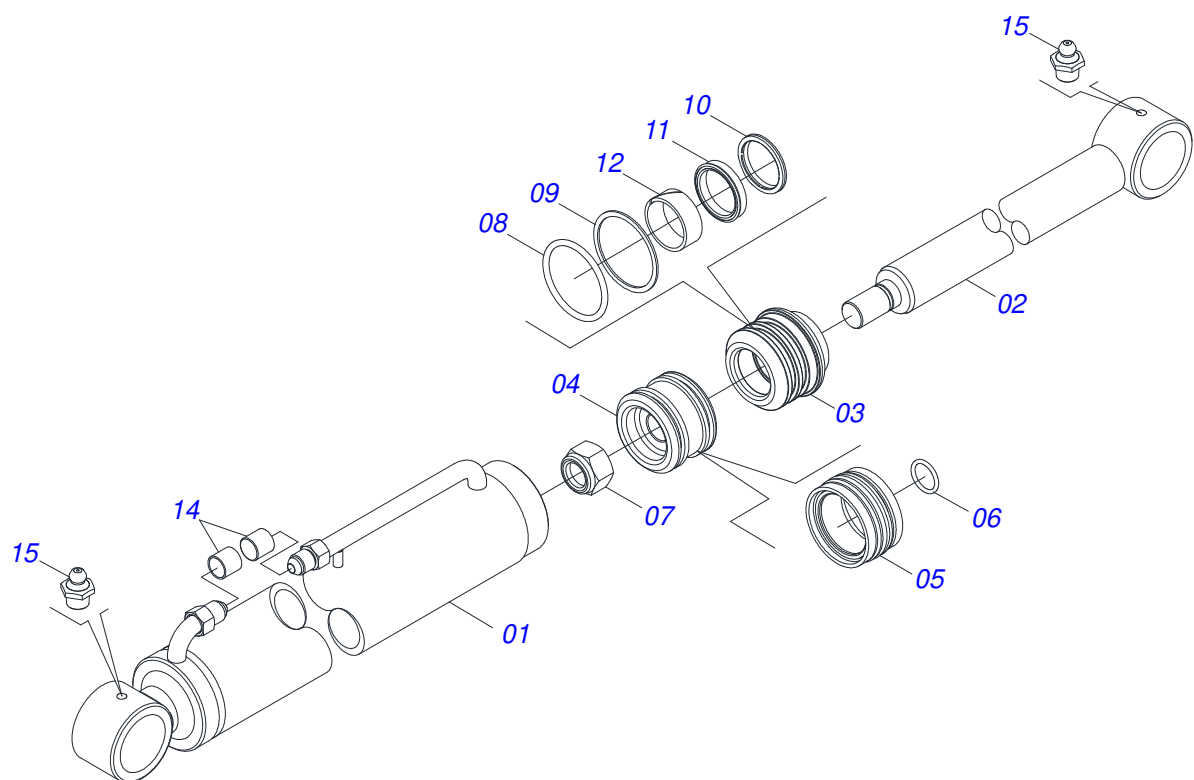
Item	Code	Description	See page	QT
01	0501069934	ARTÍCULOS SOPORTE PCA 600 AX 5.80-4		01
02	0521010904	1.5" X 1.4" PIVOT SHAFT		01
03	0501012916	FLAT WASHER 38,50 X 66 X 4,75 ZN		01
04	0503010534	3/8 X 2-1/2 COTTERPIN		03
05	0511019519	1.5" X 1.4" PIVOT SHAFT		02
06	0511019685	FLAT WASHER		02
07	0503010002	1800 GREASE FITTING		02



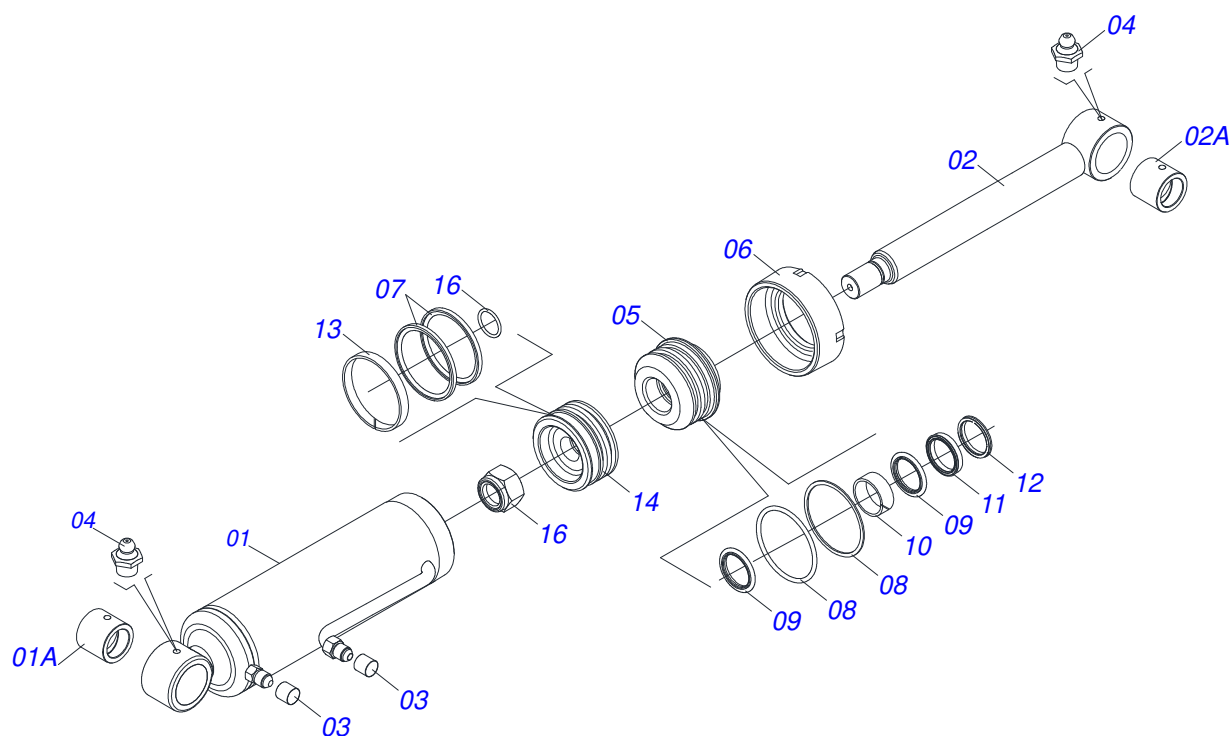
Item	Code	Description	See page	QT
01	0521061958	MOBILE SUPPORT		01
02	0501110253	BUSHING 37,70 X 55 X 70	PCA	04
03	0502010477	HOSE CLAMP		03
04	0531011180	UPPER BODY CLIP		06
05	0503010180	7/16" SPRING WASHER		06
06	0503012555	SCREW 7/16 UNC X 2 CS RT G.7 ZN		03
07	0511019521	1.5" X 1.4" PIVOT SHAFT		02
08	0511019685	FLAT WASHER		03
09	0503010534	3/8 X 2-1/2 COTTERPIN		03
10	0503011102	BOLT 7/16 UNC X 1.1/4 C S G.5 ZN		03
11	0521010904	1.5" X 1.4" PIVOT SHAFT		01



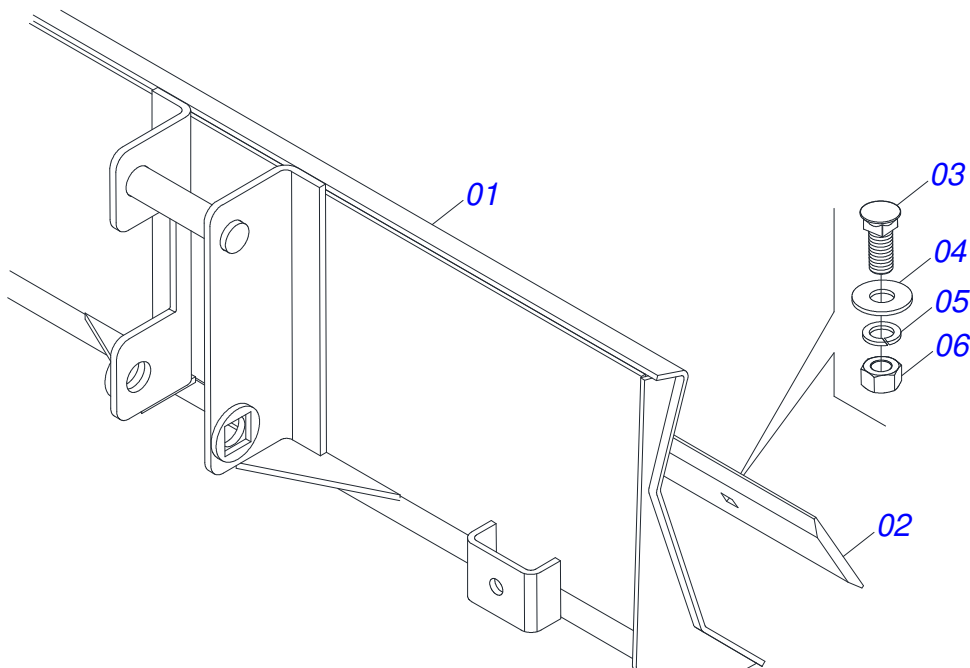
Item	Code	Description	See page	QT
01	0521063126	TOP EXTERNAL OIL DISTRIBUTOR - PCA JD 5075		01
02	0521063127	SUPERIOR OIL ROOM DISTRIBUTOR		01
03	0521061971	LEFT INTERNAL OIL DISTRIBUTOR		01
04	0521061972	LEFT OUTER OIL DISTRIBUTOR		01
05	0501080105	TR-TR HOSE ASSY		02
06	0501080635	3/8" X 19" TR-TR HOSE		02
07	0501080413	3/8" X 27" TR-TC HOSE		02
08	0503011968	3/4" 8R6X-S T ADAPTER WITH SWIVEL NUT		02
09	0511019876	1/2" NIPPLE		04
10	0501053835	FEMALE QUICK COUPLER	18	04
11	0501053834	MALE QUICK COUPLER WITH CAP - 1/2 NPT	17	04



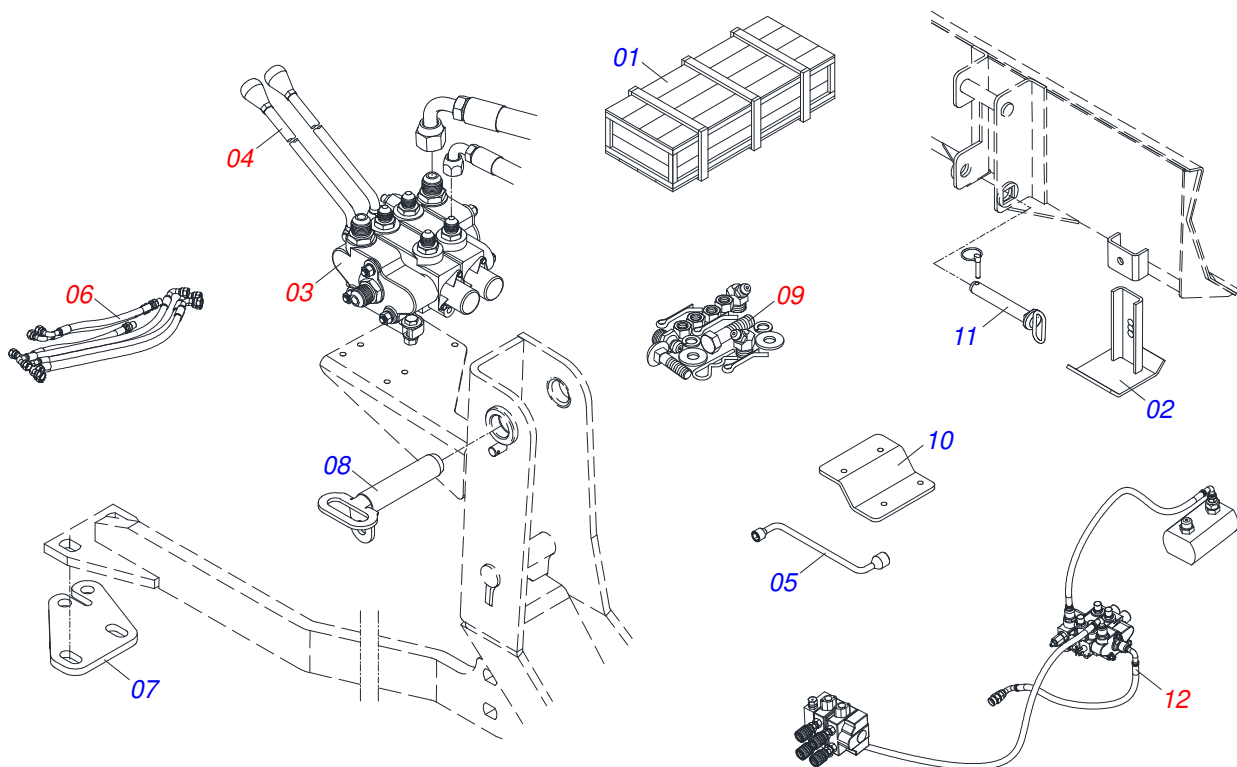
Item	Code	Description	See page	QT
01	0511071163	76,20 X 740 CYLINDER CASE		01
02	0521066424	AIR TURNBUCKLE		01
03	0581010301	RING SUPPORT		01
04	0581010304	PISTON		01
05	0503018136	ZW 007600260 AGEL RING		01
06	0503010042	2-214 N 3006-9B O'RING		01
07	0503010063	1" SELF-ALIGNING NUT		01
08	0503010343	2-334 N 3006-9B O'RING		02
09	0503011059	8-334 BACK-UP RING		02
10	0503010761	D-1750 SCRAPER RING		01
11	0503017937	GASKET		01
12	0503017938	RING GUIDE		01
13	0502011899	MOBILE COVER		01
14	0503030385	CYLINDER PLUG N-002		02
15	0503010002	1800 GREASE FITTING		02



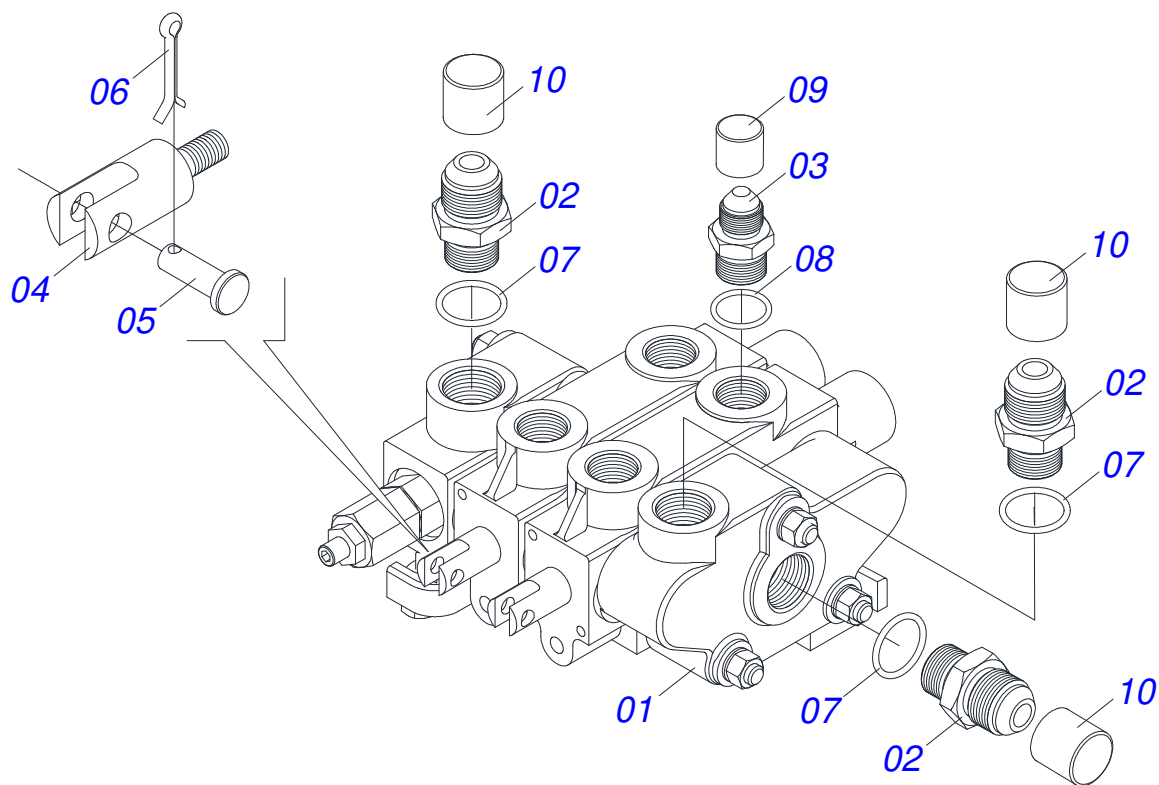
Item	Code	Description	See page	QT
01	0511066339	101,6 X 548 CYLINDER CASE - PCA 600		01
01A	0521010514	38,1 X 52,9 X 50 SLEEVE INTER		01
02	0521066430	44,45 X 630 EXTENDER		01
02A	0521010514	38,1 X 52,9 X 50 SLEEVE INTER		01
03	0503030385	CYLINDER PLUG N-002		02
04	0503010002	1800 GREASE FITTING		02
05	0581010302	RING OF SUPPORT		01
06	0502012822	101.60 END CAP		01
07	0503018158	OE 101605200211D-BR RING BS		02
08	0503011061	8-342 BACK-UP RING		02
09	0503010338	2-342 N 3006-9B O'RING		02
10	0503017938	RING GUIDE		01
11	0503017937	GASKET		01
12	0503010761	D-1750 SCRAPER RING		01
13	0503010994	W2-4000-500 PK RING G.E		01
14	0581010303	PISTON 4 - PCA 600		01
15	0503018029	2-217 O'RING		01
16	0503010817	1.1/4" SELF LOCKING NUT		01



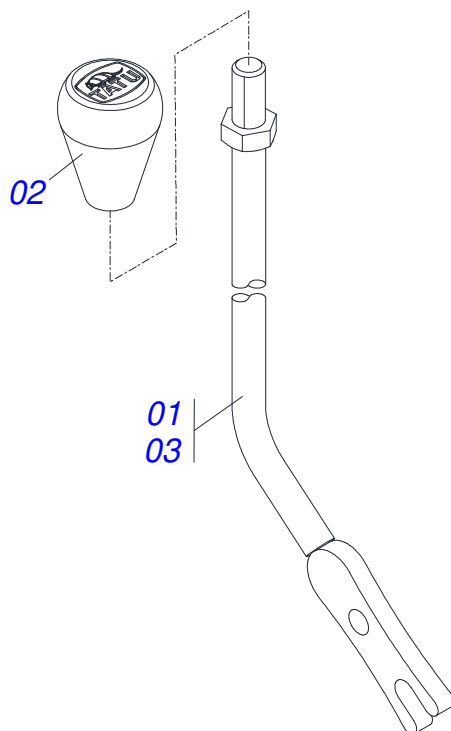
Item	Code	Description	See page	QT
01	0511064165	BLADE FRONT		01
02	0531019518	SCRAPER 2220 X 6 X 1/2		01
03	0501012239	5/8" X 1.3/4" BOLT		07
04	0571010265	16.5 X 40 X 3 FLAT WASHER		07
05	0503011445	SPRING WASHER		07
06	0503010013	5/8" NUT		07



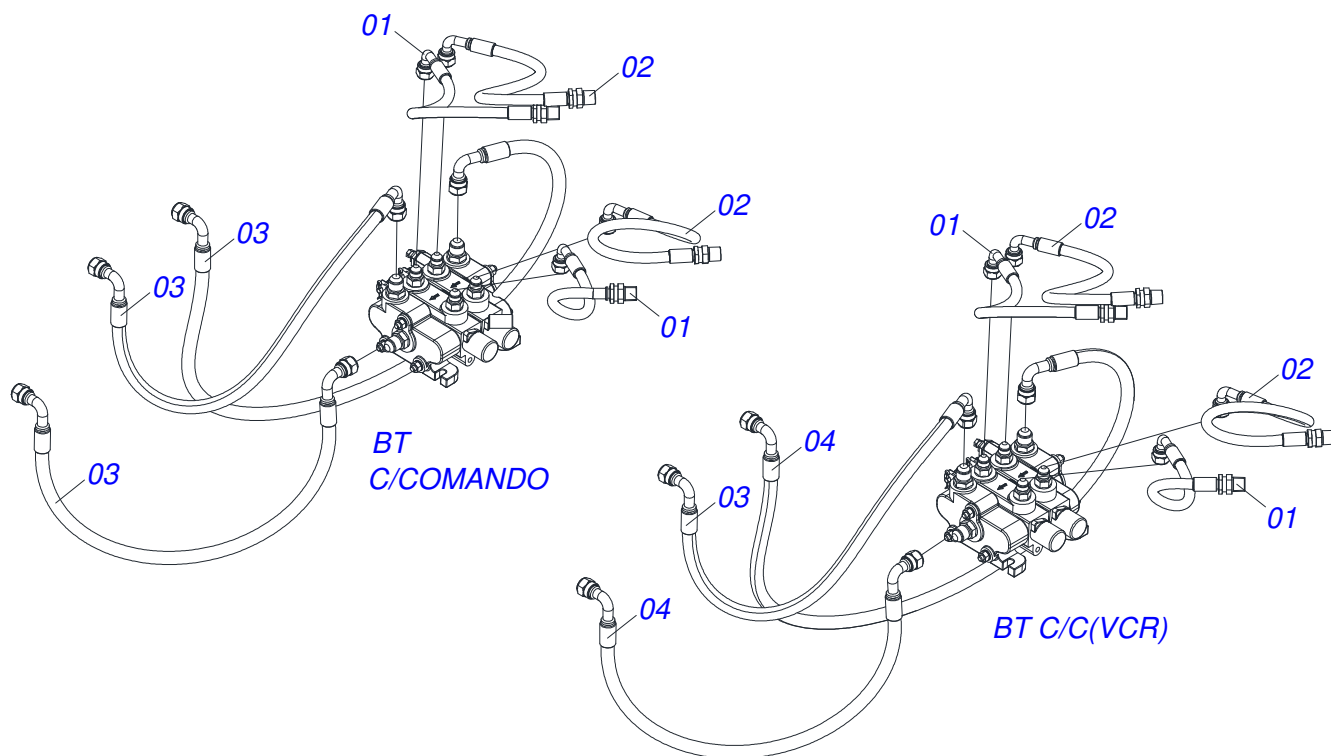
Item	Code	Description	See page	QT
01	0501100126	WOOD BOX		01
02	0511064780	SHOE SLIDE LIGHT STABILIZING		02
03	0511049987	DOUBLE 3/8 "COMMAND WITH PRESSURE PASSAGE	12	01
04	0511047872	ASSY 3/8" COMMAND LEVER	13	02
05	0501068213	5/8" WRENCH DOUBLE		01
06	0521050880	HOSE SET	14	01
07	0561017651	DIFFERENTIAL SHOE		02
08	0521061682	AXLE FIXER		02
09	0501038309	PACKAGED PARTS	15	01
10	0561017868	GLASS PROTECTION SUPPORT BRACKET		01
11	0521063680	HITCH PIN (185)		02
12	0511032522	HYDRAULIC SCHEMES	16	01



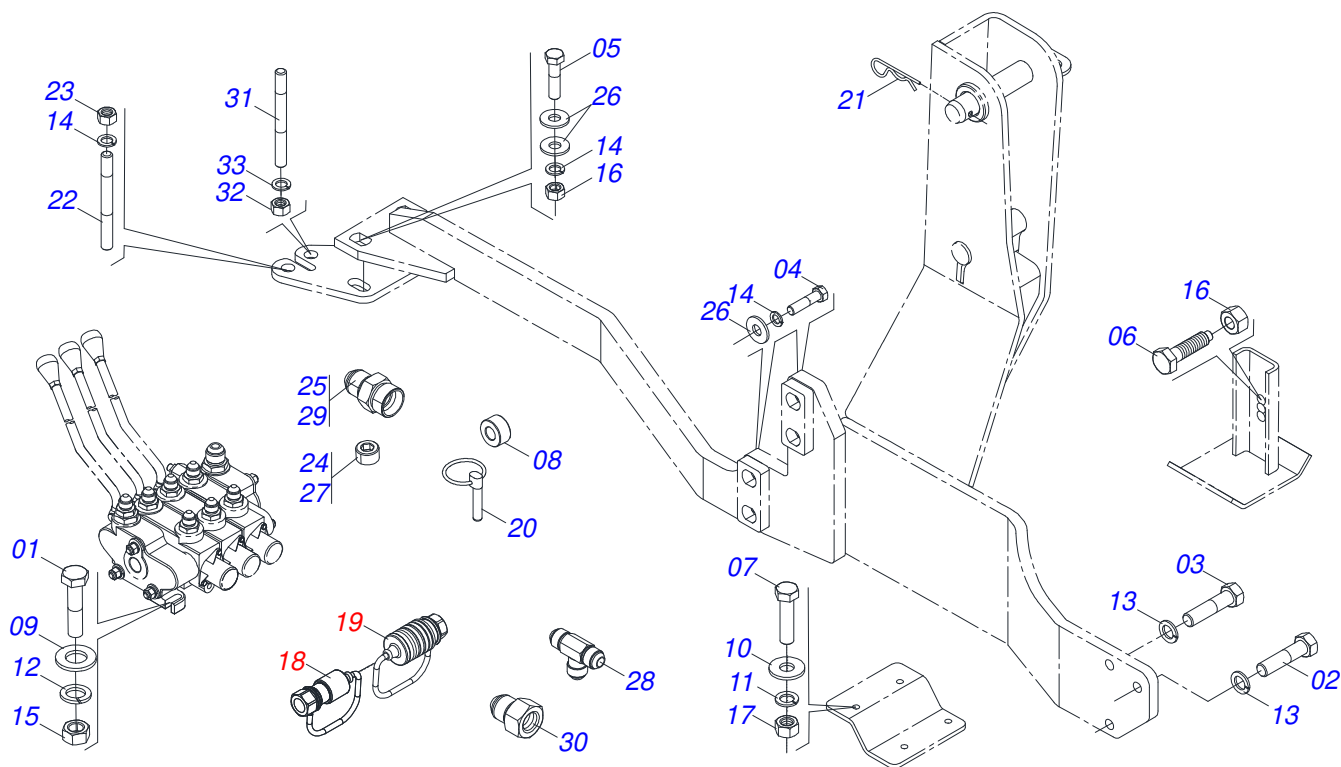
Item	Code	Description	See page	QT
01	0503061820	DOUBLE COMMAND - SAUER 603869	01	
02	0501010590	NIPPLE	03	
03	0501010617	3/4" NIPPLE	04	
04	0503012763	LOWER LEVER	02	
05	0521010532	0.3" X 0.9" COUPLING SHAFT	04	
06	0503010140	1/8" X 3/4" COTTERPIN	04	
07	0503010045	O'RING	03	
08	0503010190	2-114 N 3006-9B O'RING	04	
09	0503030385	CYLINDER PLUG N-002	04	
10	0503030387	PLUG	03	



Item	Code	Description	See page	QT
01	0511047872	ASSY 3/8" COMMAND LEVER	13	01
02	0503030878	LEVER CRANK		01
03	0521060682	CONTROL VALVE LEVER		01



Item	Code	Description	See page	QT
01	0501080523	3/8 X 1000 HOSE TC-TM		02
02	0501080597	3/8" X 43" TC-TM HOSE		02
03	0501080273	1/2 X 2700 HOSE TC-TC		03
04	0501080624	HOSE		02



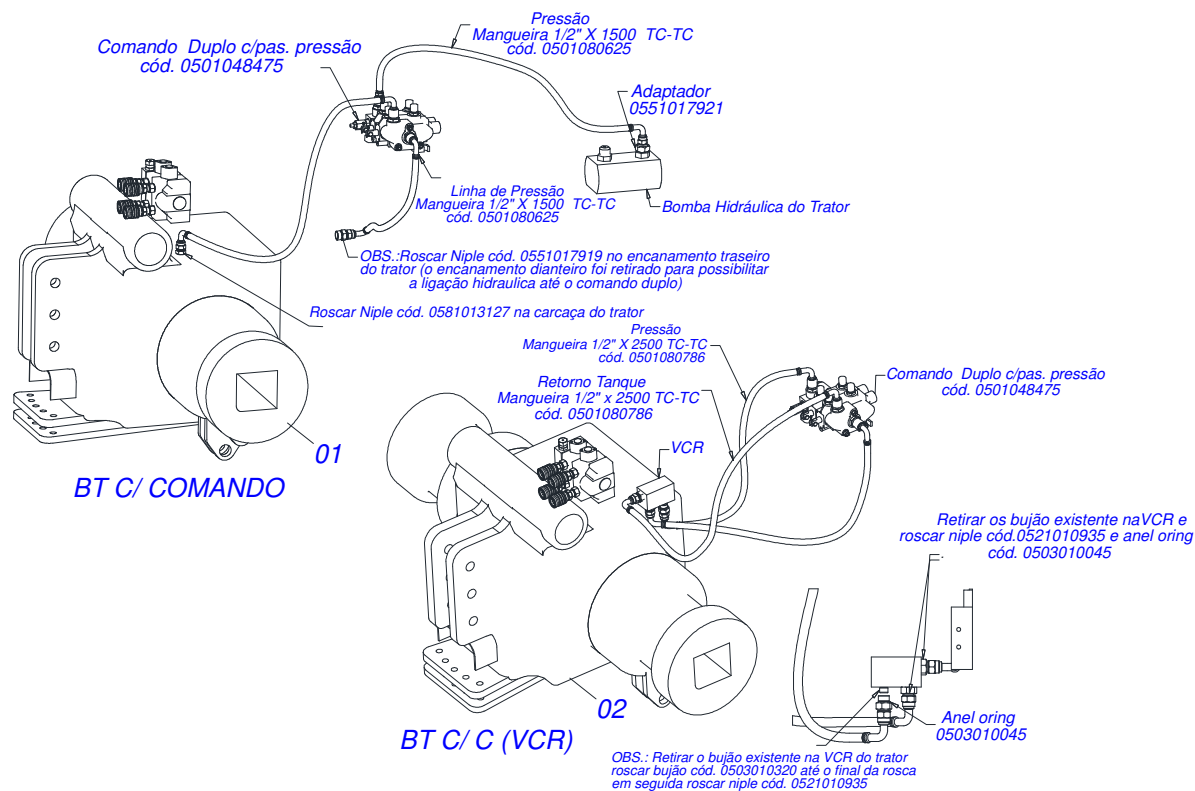
Item	Code	Description	See page	QT
01	0501010080	3/8" BOLT		03
02	0503011188	M16 X 2 X 50 BOLT		04
03	0503012573	M16 X 2 X 65 BOLT		02
04	0503013104	M20 X 2,5 X 80 BOLT		08
05	0501010500	3/4"X3"BOLT		04
06	0501018246	3/4" X 3" BOLT		02
07	0503010371	5/16" X 1" BOLT		04
08	0531016799	SLEEVE 34,93 X 16,50 X 20		02
09	0501010984	FLAT WASHER		03
10	0501010694	8.5 X 18 X 1.5 FLAT WASHER		04
11	0503010179	5/16" ZN SPRING WASHER		04
12	0503010025	3/8" SPRING WASHER		03
13	0503010027	5/8" SPRING WASHER		10
14	0503010023	3/4" SPRING WASHER		12
15	0503010026	3/8" NUT		03
16	0503010014	3/4" NUT		04
17	0503010337	5/16" NUT		04
18	0501053834	MALE QUICK COUPLER WITH CAP - 1/2 NPT	17	02
19	0501053835	FEMALE QUICK COUPLER	18	02
20	0503030430	7/16 X 2" PIN LOCK		02
21	0503030012	HAIR PIN		02
22	0561017654	M20 X 2.5 X 270 THREADED ROD ZN		04
23	0503015985	M20 X 2.5 ZN HEXAGONAL NUT		08
24	0503010320	3/8 INTERNAL HEXAGON PLUG		01
25	0521010935	7/8 UNF NIPLE X M22 X 1,5 X 52		03
26	0501010322	FLAT WASHER		12
27	0503012151	3/8" BSP PLUG		01
28	0503013493	T CONNECTION MALE		02
29	0551017919	M27 X 2 X 7/8 UNF X 52 NIPLE		01
30	0551017921	7/8 UNF X M30 X 2 X 43 ADAPTER		02
31	0503034789	PRISONER		04



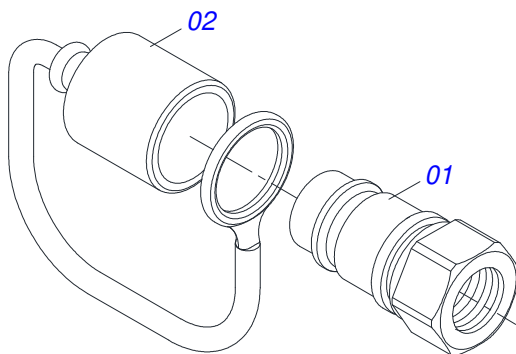
PACKAGED PARTS

0501038309

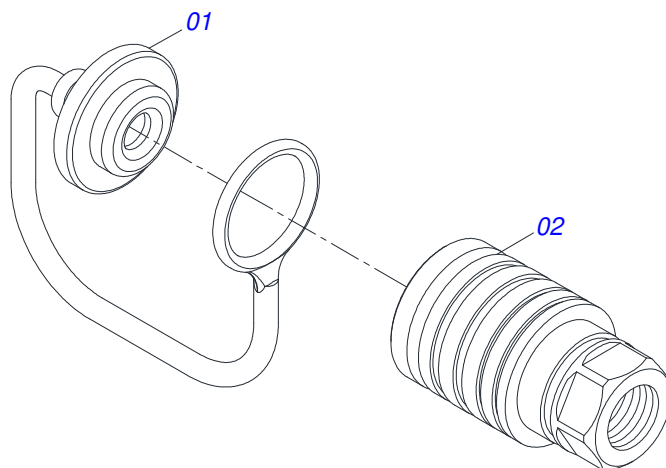
Item	Code	Description	See page	QT
32	0503019335	METRIC NUT		08
33	0503010012	1" SPRING WASHER		08



Item	Code	Description	See page	QT
01	0501091783	HYDRAULIC SCHEME BT C/C PD/PCA JD	01	01
02	0501091784	HYDRAULIC SCHEME BT C/C VCE PD/PCA JD 5075/5085	01	01



Item	Code	Description	See page	QT
01	0503011627	MALE QUICK COUPLER AGR 1/2 NPT		01
02	0503011882	MALE QUICK COUPLER CAP		01



Item	Code	Description	See page	QT
01	0503011883	QUICK CONNECTION COVER		01
02	0503011628	FEMALE QUICK COUPLER		01



MARCHESAN

Technical Publications | Elaboration and Revision

LUIZ CANDIDO

www.marchesan.com.br

