

PD - FRONT LOADER

PD NH 7630-4 BT CDC JS

Code: 0501093038
Series: S-1118
Revision: 00
Date Revision: AGOSTO/2021

PARTS CATALOGUE



MARCHESAN



PRODUCTS

Code	Description
0106040030	PD NH 7630-4 BT CDC

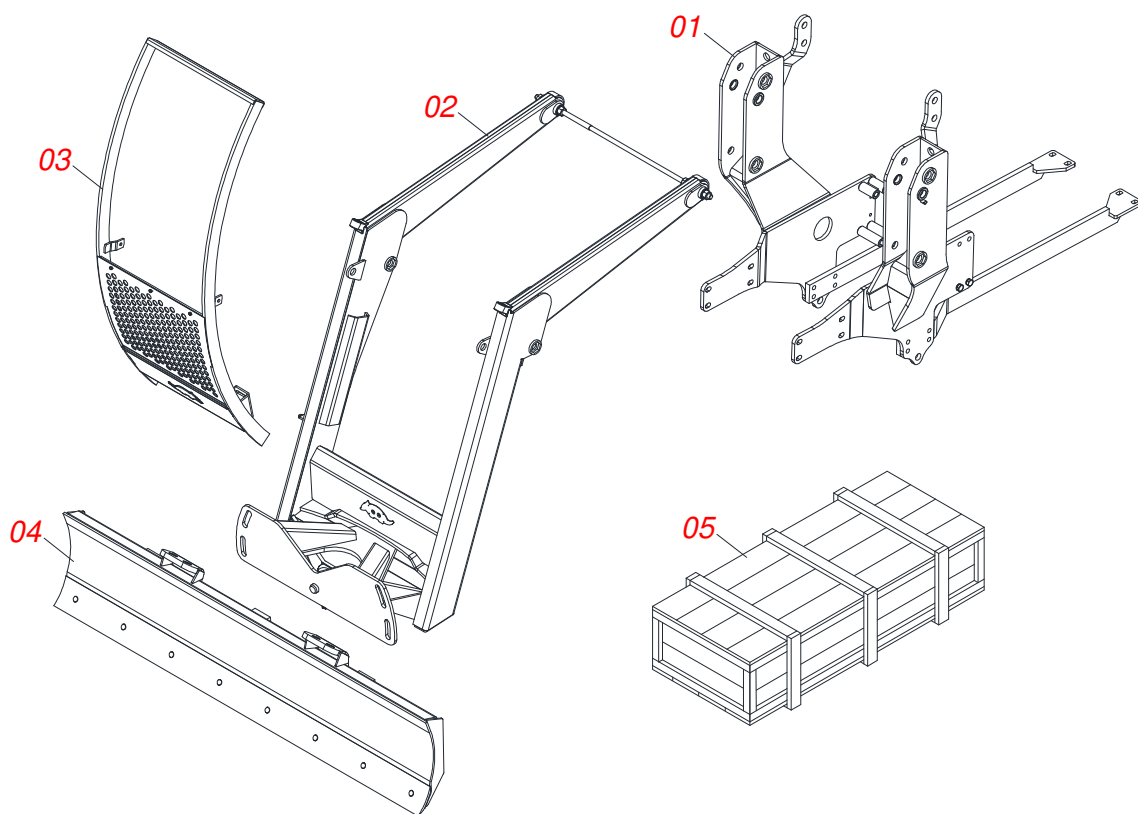
ATTENTION: IMPORTANT

Marchesan S.A. reserves the right to improve and / or modify the technical features of its products, without obligation to do the same with those products already sold and without prior knowledge of the dealer or the consumer.

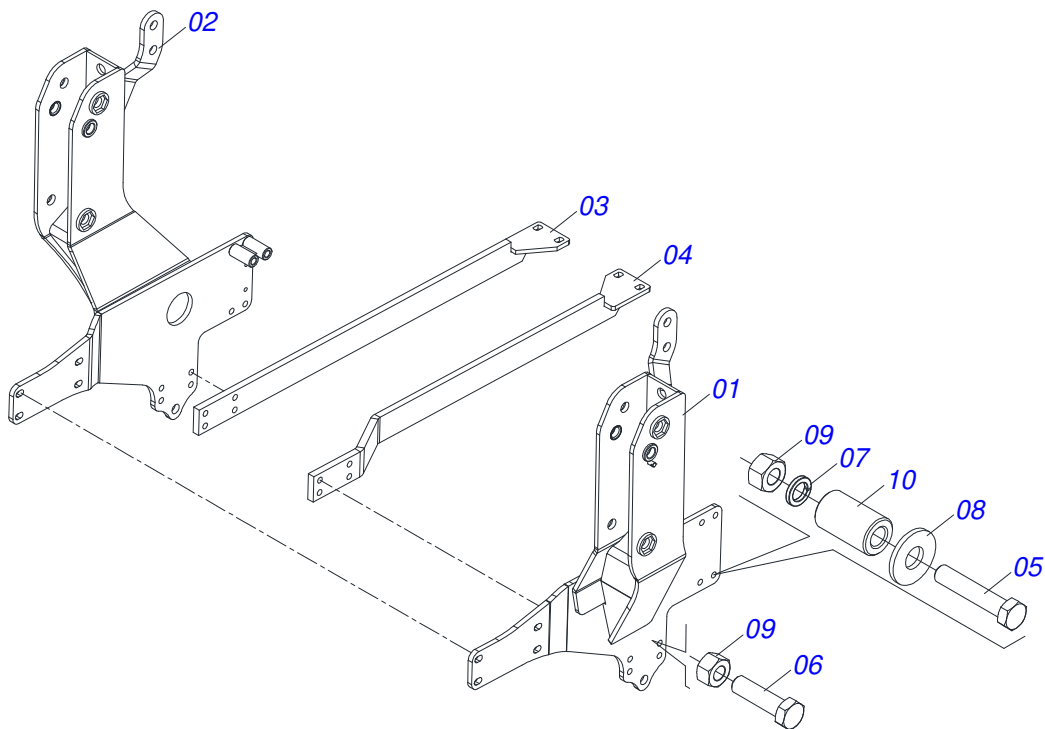


INDEX

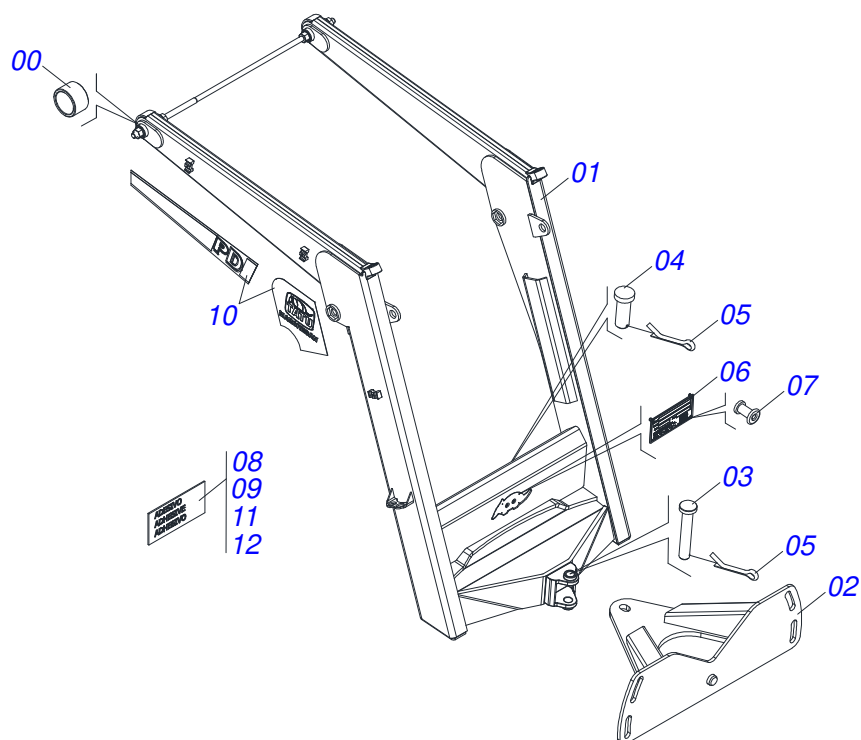
0106040030	PD NH 7630-4 BT CDC	1
0521048820	FRAME ASSEMBLY WITH REAR BAR	2
0521047902	MOBILE SUPPORT ASSY	3
0501049367	ASSY HIGH MOBILE SUPPORT GUIDE	4
0501047708	2400 BLADE SUPPORT	5
0521025244	BOX WITH COMPONENTS	6
0521045393	SET SUPPORT JOY STICK	7
0521047559	ASSY COMMAND DLM142	8
0521047923	ROD	9
0511043351	1.1/4" X 40" ROD	10
0521047554	ROD 1.1 / 4 NC 760 X 4 ASSY WITH NUT	11
0521051546	HYDRAULIC CYLINDER	12
0521051570	HOSE GAME	13
0511057771	R.7/8UNF - SAFETY VALVE	14
0511033449	PACKAGED PARTS	15
0501053835	FEMALE QUICK COUPLER	16



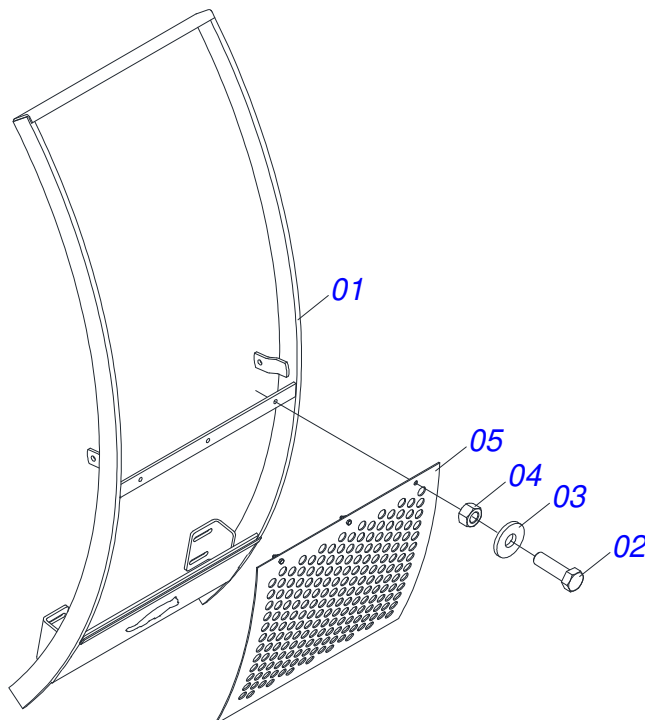
Item	Code	Description	See page	QT
01	0521048820	FRAME ASSEMBLY WITH REAR BAR	2	01
02	0521047902	MOBILE SUPPORT ASSY	3	01
03	0501049367	ASSY HIGH MOBILE SUPPORT GUIDE	4	01
04	0501047708	2400 BLADE SUPPORT	5	01
05	0521025244	BOX WITH COMPONENTS	6	01



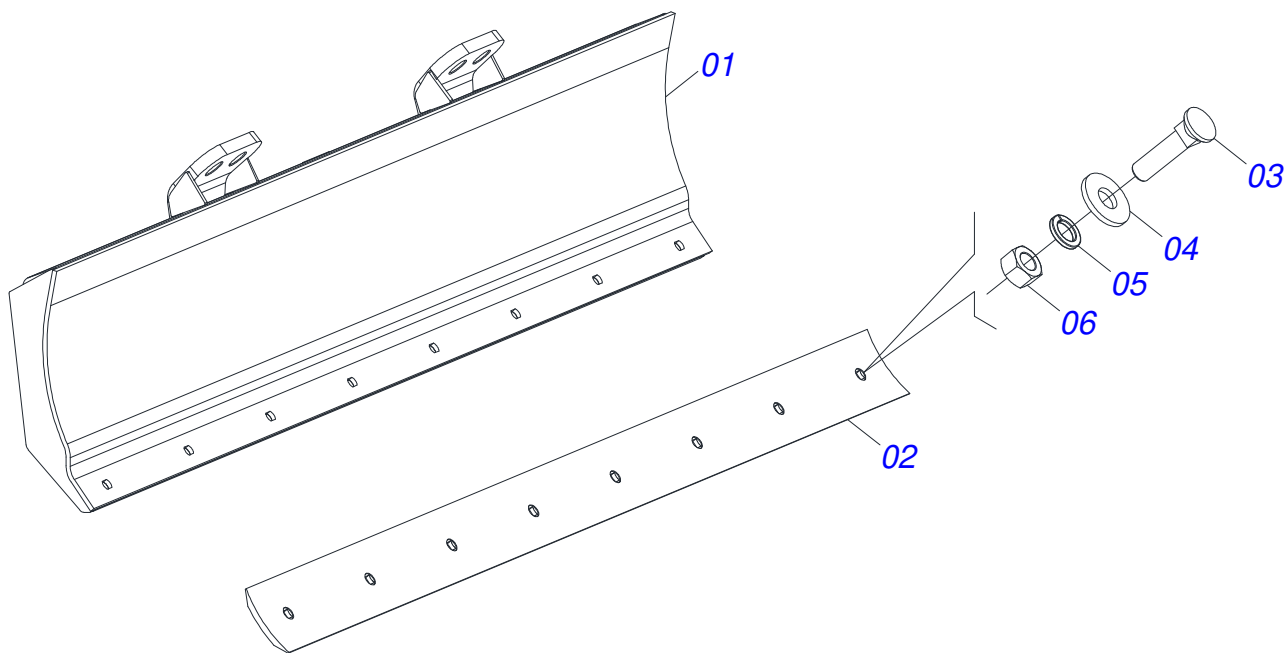
Item	Code	Description	See page	QT
01	0521069479	LEFT FRAME		01
02	0521069480	RIGHT FRAME		01
03	0521068054	RIGHT REAR BAR		01
04	0521068053	LEFT REAR BAR		01
05	0503011084	3/4" X 5" BOLT		04
06	0501010500	3/4"X3"BOLT		02
07	0503010023	3/4" SPRING WASHER		04
08	0501010322	FLAT WASHER		04
09	0503010014	3/4" NUT		06
10	0581015170	SLEEVE		04



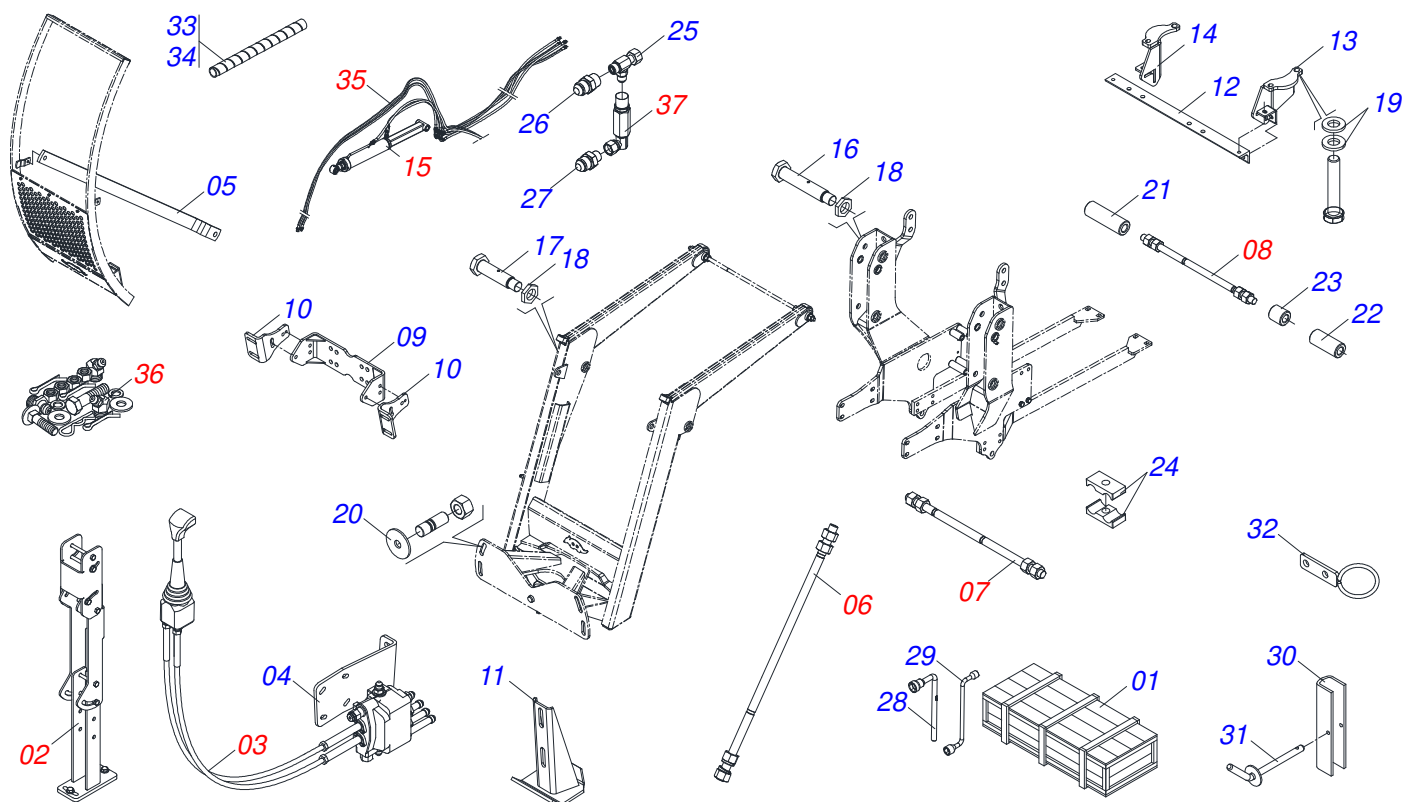
Item	Code	Description	See page	QT
01	0521068513	MOBILE SUPPORT		01
02	0501062637	5/8" REGULATOR SUPPORT		01
03	0521010618	1.4" X 8.6" COUPLING SHAFT		01
04	0521010612	1.4" X 3.5" COUPLING SHAFT		01
05	0503010010	1/4" X 2.1/2" COTTERPIN		02
06	0503034003	SERIAL NUMBER TAG 61 X 118		01
07	0503010001	3.2 X 5.5 RIVET		04
08	0503031428	READ MANUAL DECAL		01
09	0503031827	LUBRICATE AND RETIGHTEN DAILY DECAL		01
10	0503062270	SET LABEL ADHESIVE		01
11	0503034078	LIFTING POINTS DECAL		01
12	0503031087	ADHESIVE LABEL		01



Item	Code	Description	See page	QT
01	0511061956	MOBILE SUPPORT GUIDE ASSY		01
02	0503010751	C3/8" X 1.1/4" HEX BOLT G.5		03
03	0501010984	FLAT WASHER		03
04	0503010026	3/8" NUT		03
05	0501014687	FRONT PROTECTION		01



Item	Code	Description	See page	QT
01	0501067999	2390 BLADE SUPPORT		01
02	0622360016	94.5" SCRAPER REVERSIBLE		01
03	0501012240	BOLT		08
04	0501012140	FLAT WASHER		08
05	0503011445	SPRING WASHER		08
06	0503010013	5/8" NUT		08



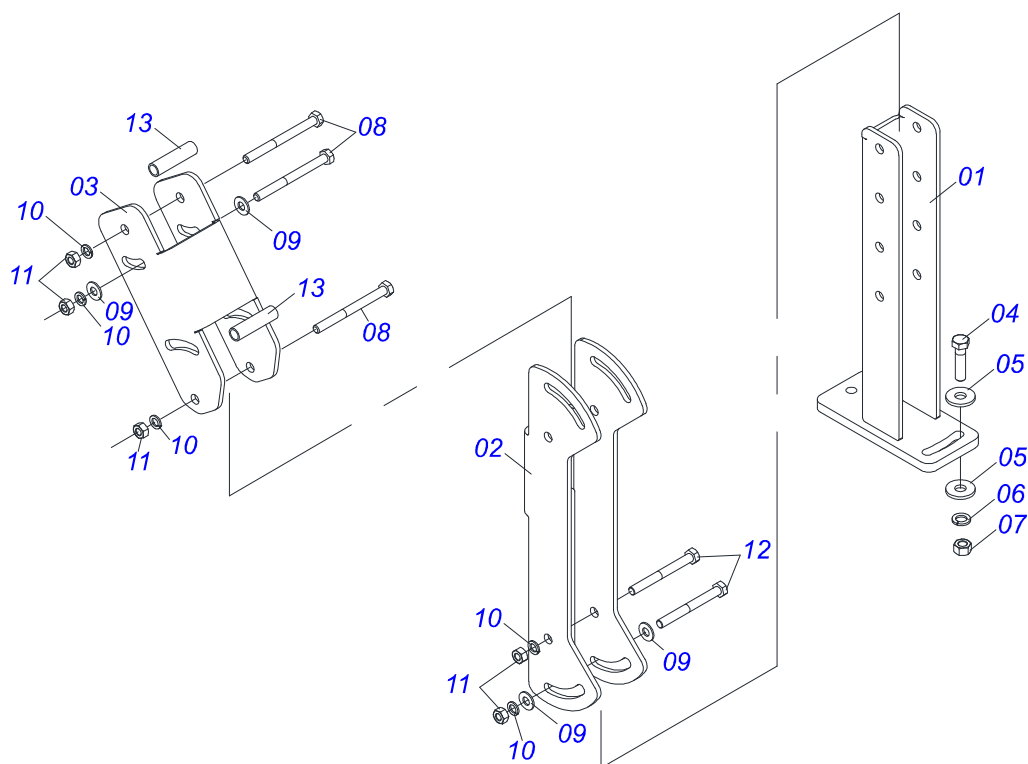
Item	Code	Description	See page	QT
01	0501100007	BOX WOOD 2150X400X440		01
02	0521045393	SET SUPPORT JOY STICK	7	01
03	0521047559	ASSY COMMAND DLM142	8	01
04	0581019187	JOYSTICK COMMAND SUPPORT		01
05	0581015051	FRENCH HAND 1275		02
06	0521047923	ROD	9	02
07	0511043351	1.1/4" X 40" ROD	10	01
08	0521047554	ROD 1.1 / 4 NC 760 X 4 ASSY WITH NUT	11	01
09	0521064256	MOBILE SUPPORT GUIDE FIXER		01
10	0571010158	FIXER GUIDE MOBILE SUPPORT		02
11	0501063411	ESTABILIZER BRACKET		02
12	0571018368	FRAME FIXATION SUPPORT BODY 980		01
13	0521065785	LEFT FRAME FIXING SUPPORT		01
14	0521065784	FRAME FIXING RIGHT SUPPORT		01
15	0521051546	HYDRAULIC CYLINDER	12	02
16	0581015006	BOLT		04
17	0581015007	BOLT 1.1/4 UNF X 103		02
18	0581010243	WASHER HEX		06
19	0501016545	FLAT WASHER		04
20	0501010574	FLAT WASHER		04
21	0581015028	GLOVE 21 X 44.45 X 141		02
22	0541013067	GLOVE 21 X 44.45 X 76		02
23	0571018371	SLEEVE		02
24	0502010477	HOSE CLAMP		03
25	0521068067	ADAPTER WITH ROTATING NUT		01
26	0571012091	9/16 UNF X 7/16 UNF NIPLE		02
27	0501011460	7/8 NF REDUCTION NIPPLE		01
28	0501061617	1" GANG BOLT WRENCH		01
29	0501068213	5/8" WRENCH DOUBLE		01
30	0531017238	LOCK TRANSPORT		02
31	0501068994	0.3" X 3.1" LOCK PIN		02



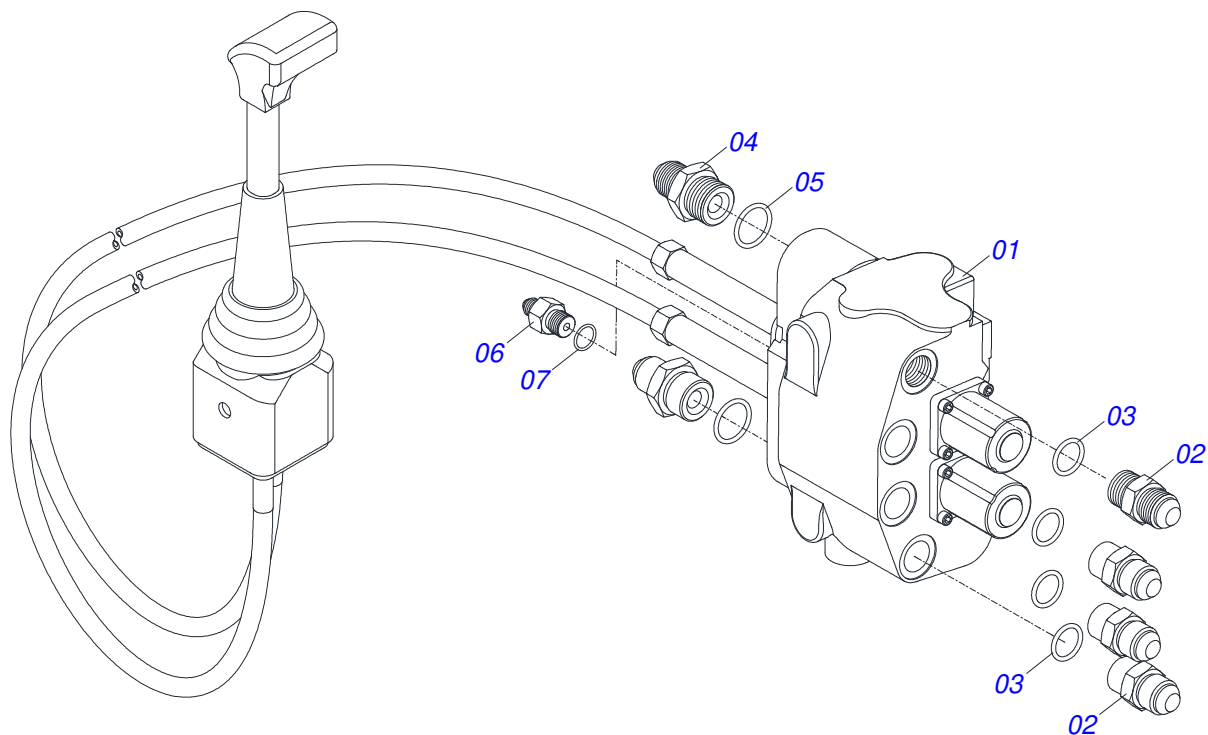
PD NH 7630-4 BT CDC JS
BOX WITH COMPONENTS

Page 6
0521025244

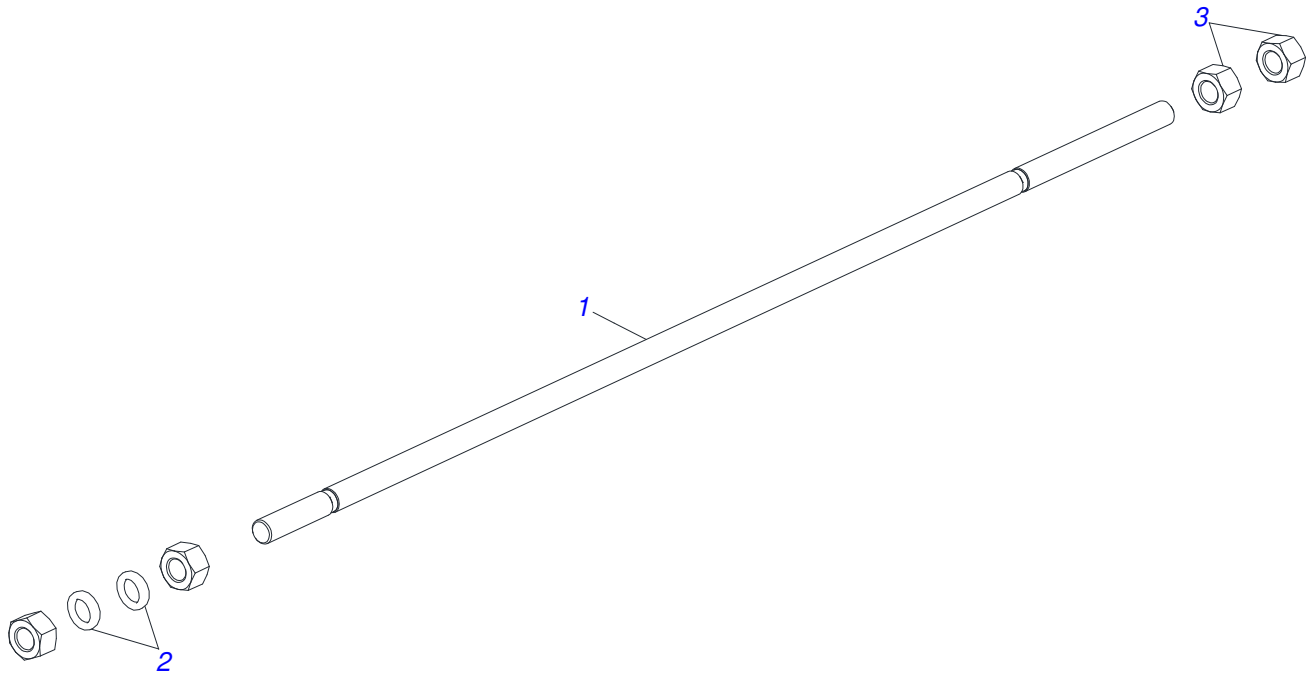
Item	Code	Description	See page	QT
32	0521069481	HOSES GUIDE		01
33	0581011170	HOSE PLASTIC PROTECTION SPRING		02
34	0581019205	SPRING PLASTIC HOSE PROTECTION		01
35	0521051570	HOSE GAME	13	01
36	0511033449	PACKAGED PARTS	15	01
37	0511057771	R.7/8UNF - SAFETY VALVE	14	02



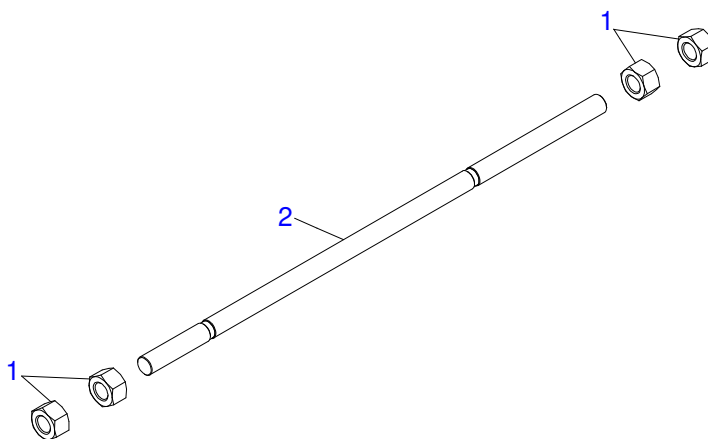
Item	Code	Description	See page	QT
01	0521065789	LOWER JOYSTICK SUPPORT		01
02	0571018376	CENTRAL BODY SUPPLEMENT OF JOYSTICK		01
03	0571018375	SUPERIOR BODY SUPPLEMENT OF JOYSTICK		01
04	0503010849	3/8" X 1-1/2" BOLT		02
05	0501010984	FLAT WASHER		02
06	0503010025	3/8" SPRING WASHER		02
07	0503010026	3/8" NUT		02
08	0503010848	5/16" X 3.1/2" BOLT		04
09	0501010694	8.5 X 18 X 1.5 FLAT WASHER		06
10	0503010179	5/16" ZN SPRING WASHER		06
11	0503010337	5/16" NUT		06
12	0503011053	5/16" X 3" C S 6.5 ZN BOLT		02
13	0541015551	0.39" X 0.512" X 1.9" SLEEVE		02



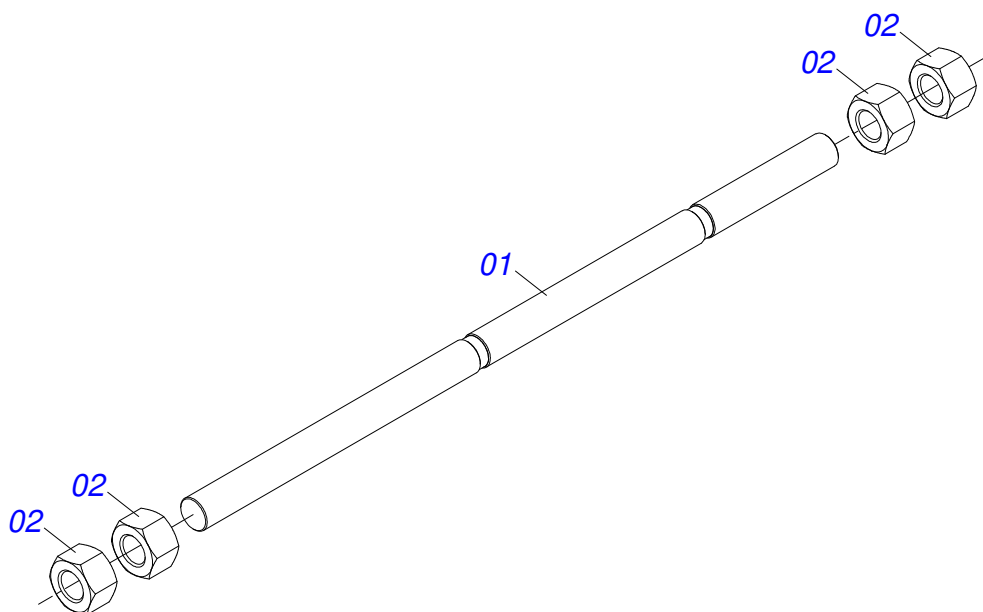
Item	Code	Description	See page	QT
01	0503062661	COMPLETE COMMAND - DLM142		01
02	0501010590	NIPPLE		04
03	0503010045	O'RING		04
04	0511018014	7/8"NF X 1.1/16 UN NIPPLE		02
05	0503011109	2-119 N 3006-9B O'RING		02
06	0571012091	9/16 UNF X 7/16 UNF NIPPLE		01
07	0503011030	2-014 N 3006-9B O'RING		01



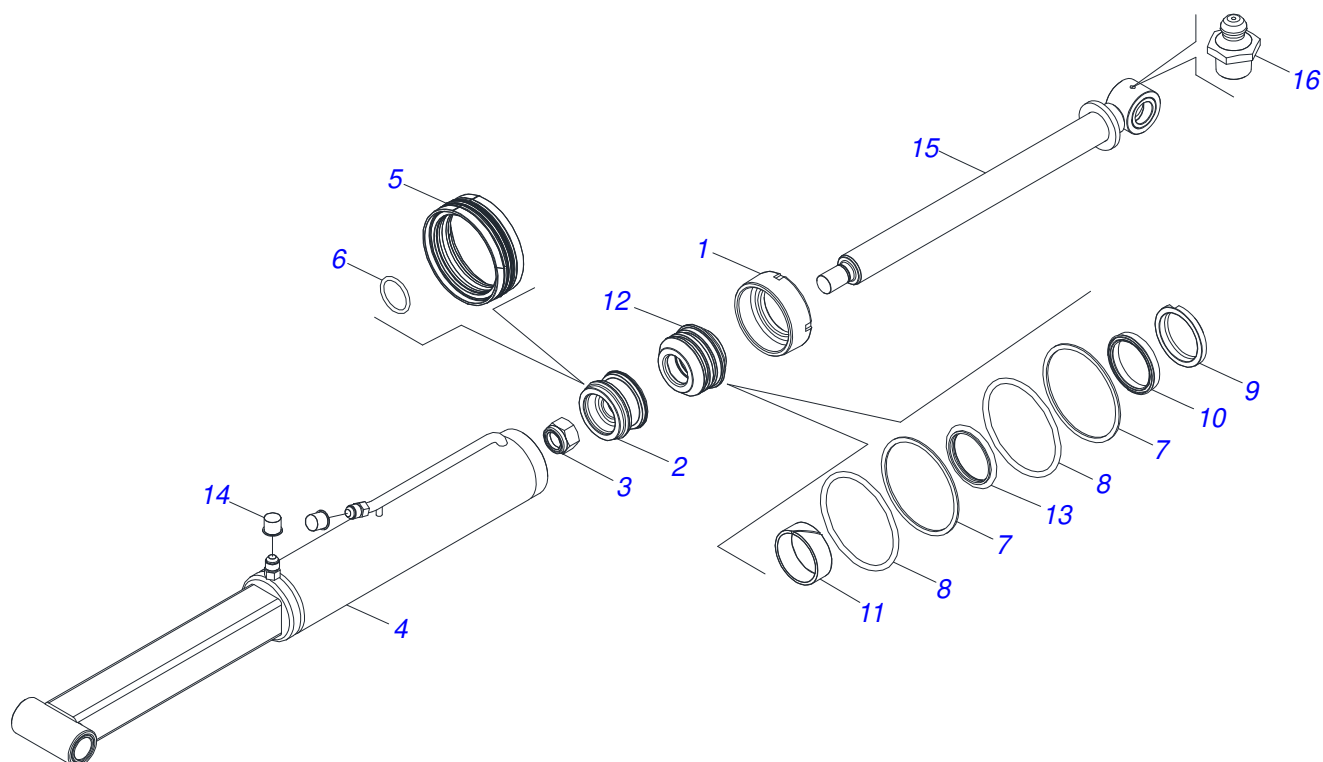
Item	Code	Description	See page	QT
01	0581016637	ROD		01
02	0502012180	CONICAL SPRING WASHER		02
03	0501010087	1.1/4" NUT		04



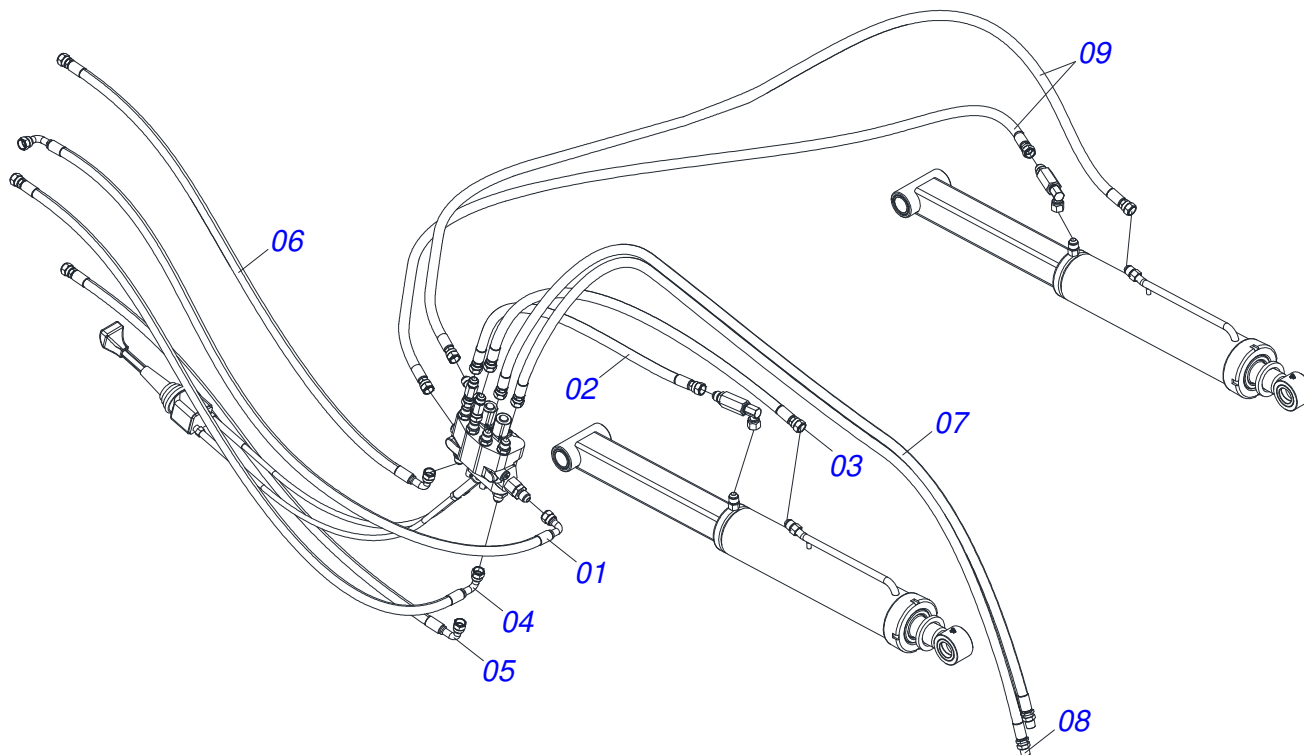
Item	Code	Description	See page	QT
01	0501010087	1.1/4" NUT		04
02	0541015018	ROD 1.1/4 NC X 1000 PCA-T 1750		01



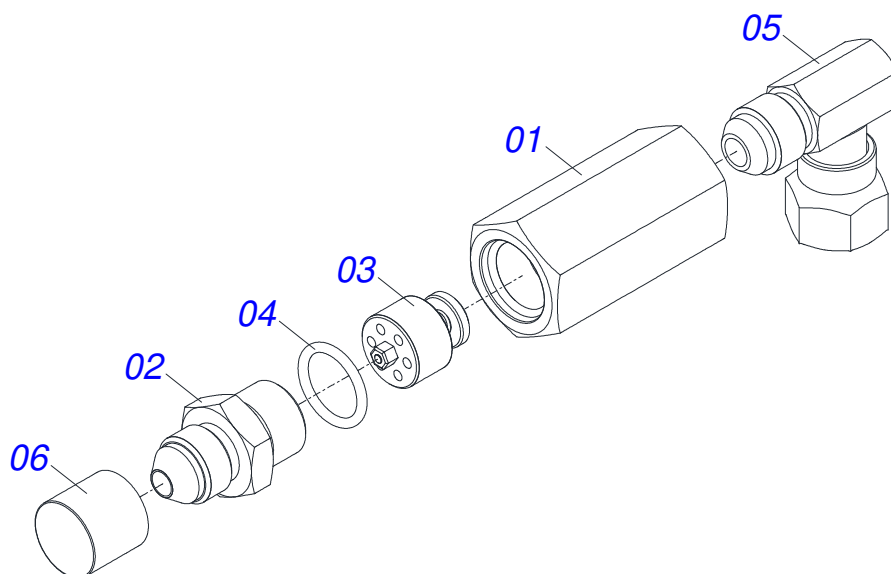
Item	Code	Description	See page	QT
01	0501010628	1.1/4" X 760 ROD		01
02	0501010087	1.1/4" NUT		04



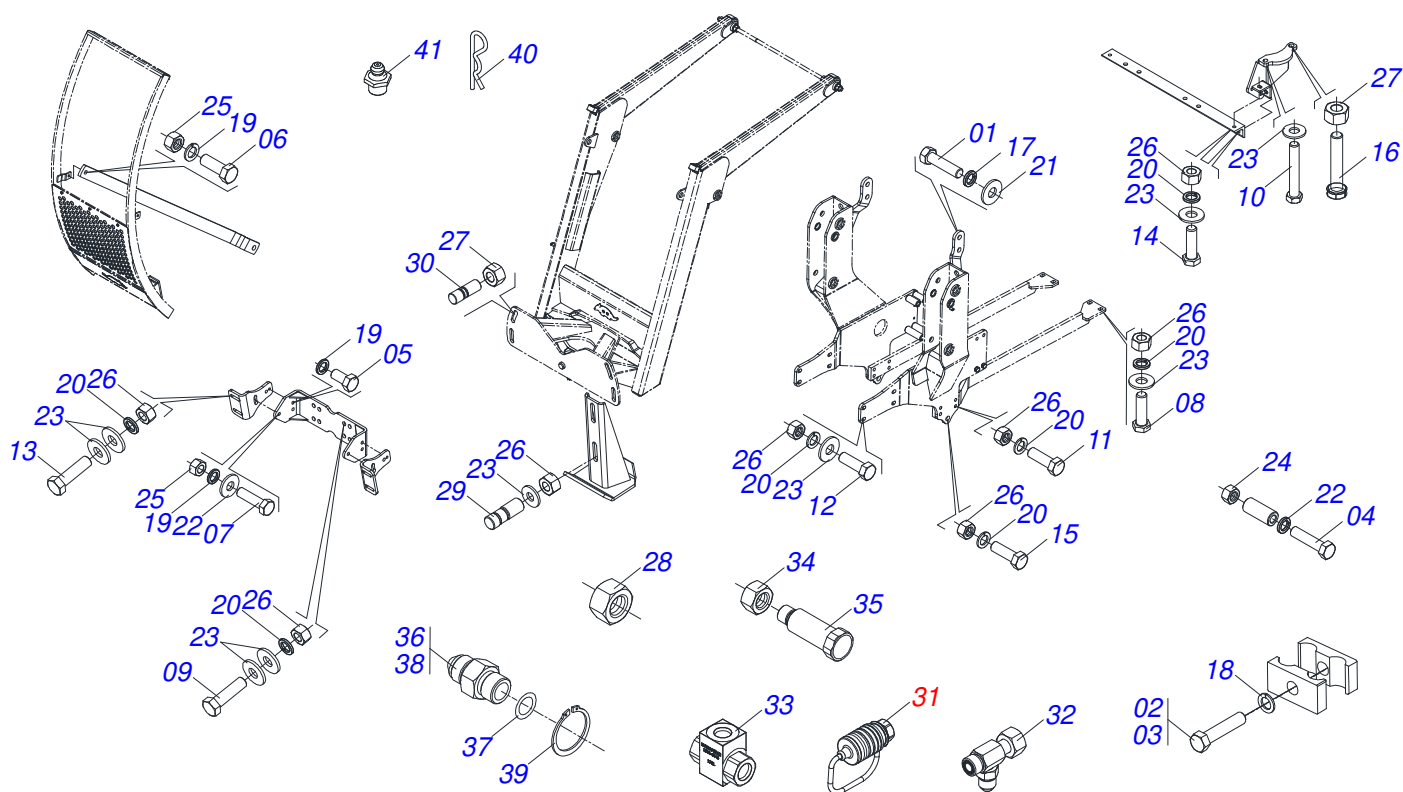
Item	Code	Description	See page	QT
01	0502012822	101.60 END CAP		01
02	0502012842	50,80 X 101,60 PISTON		01
03	0503010817	1.1/4" SELF LOCKING NUT		01
04	0511071242	CYLINDER CASE		01
05	0503015633	SELEMASTER SEALING		01
06	0503018029	2-217 O'RING		01
07	0503011061	8-342 BACK-UP RING		02
08	0503010338	2-342 N 3006-9B O'RING		02
09	0503010039	D-2000 SCRAPER RING		01
10	0503018026	1870-2000-375 B GASKET		01
11	0503018025	RING GUIDE		01
12	0502012821	50.80 X 101.60 RING SUPPORT		01
13	0503018024	RING BS		01
14	0503030387	PLUG		02
15	0521068050	TURNBUCKLE		01
16	0503010002	1800 GREASE FITTING		01
17	0511032211	CYLINDER REPAIR KIT 50.80 X 101.60		



Item	Code	Description	See page	QT
01	0501082137	1/4 X 900 TC-TC HOSE		01
02	0501080197	HOSE		01
03	0501080171	HOSE		01
04	0501080059	1/2" X 61" TR-TC HOSE ASSY		01
05	0501080618	1/2" X 2200 TR-TC HOSE		01
06	0501081508	HOSE 1/4 X 1800 TR-TC		01
07	0501080183	HOSE 1/2 X 3000 TR-TR		01
08	0501080269	1/2 X 3000 TR-TC HOSE ASSY		01
09	0501081384	HOSE		02



Item	Code	Description	See page	QT
01	0503018033	37 X R.7/8 UNF 90° JIC MALE CONNECTOR WITH ROTATING NUT		01
02	0581014053	1/2 BSP X 7/8 UNF JIC X 64 ADAPTER		01
03	0503016854	VALVE ASSY		01
04	0503010045	O'RING		01
05	0581014052	1/2 BSP X 7/8 UNF JIC X 43 NIPLE		01
06	0503030387	PLUG		01



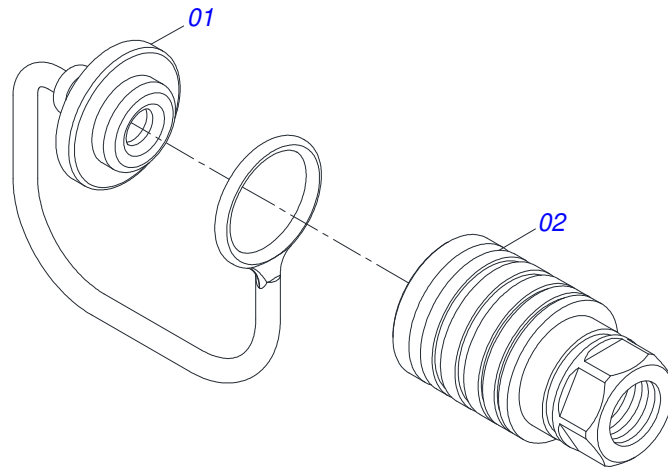
Item	Code	Description	See page	QT
01	0503016506	5/16 UNC X 3/4 C S G.5 ZN BOLT		04
02	0503011338	7/16" X 1" BOLT		02
03	0503011135	BOLT		03
04	0501010063	1/2" X 1-1/2" BOLT		03
05	0503010962	5/8" X 1-1/4" BOLT		02
06	0501010100	SCREW 5/8 UNC X 2 CS G.5 ZN		06
07	0503010899	5/8" X 2-1/4" BOLT		06
08	0501010125	3/4" X 2-1/2" BOLT		04
09	0501010500	3/4"X3"BOLT		08
10	0501010066	3/4" X 9" BOLT		02
11	0503013111	M20 X 2,5 X 65 BOLT		12
12	0503013103	M20 X 2,5 X 90 BOLT		02
13	0503014928	M20 X 2,5 X 130 BOLT		02
14	0503013364	M20 X 2,5 X 150 BOLT		02
15	0503015049	M20 X 2,5 X 190 BOLT		02
16	0501010064	1" X 9" BOLT		02
17	0503010179	5/16" ZN SPRING WASHER		04
18	0503010180	7/16" SPRING WASHER		05
19	0503010027	5/8" SPRING WASHER		14
20	0503010023	3/4" SPRING WASHER		32
21	0501010694	8.5 X 18 X 1.5 FLAT WASHER		04
22	0501012140	FLAT WASHER		18
23	0501010322	FLAT WASHER		14
24	0503011336	1/2" HEX SELF ADJUSTING NUT		03
25	0503010013	5/8" NUT		12
26	0503010014	3/4" NUT		16
27	0501010059	1.5/8 NUT		04
28	0503010044	1-1/4" SELF LOCKING NUT		06
29	0561016756	3/4 UNC X 3/4 UNC X 56 PRISONER		04
30	0561016755	PRISONER 1 UNC X 1 UNC X 76 ZN		04
31	0501053835	FEMALE QUICK COUPLER	16	02



PACKAGED PARTS

0511033449

Item	Code	Description	See page	QT
32	0503062177	7/8 (V.C) T-ADAPTER WITH NUT		02
33	0503018955	LSV1 LOAD SHUTTLE VALVE		01
34	0501011479	7/8" UNF ROTATIVE NUT		01
35	0581015013	7/16" UNF X 53 ADAPTER		01
36	0531013708	7/8 UNF X R 9/16 UNF X 45 NIPPLE		01
37	0503011030	2-014 N 3006-9B O'RING		03
38	0581015014	NIPLE 7/16 UNF JIC X 7/16 UNF X 37		01
39	0503010217	501040 CLAMPING RING (FOR AXLE)		04
40	0503030168	HAIR PIN		02
41	0503010002	1800 GREASE FITTING		06



Item	Code	Description	See page	QT
01	0503011883	QUICK CONNECTION COVER		01
02	0503011628	FEMALE QUICK COUPLER		01



MARCHESAN

Technical Publications | Elaboration and Revision

LUIZ CANDIDO

www.marchesan.com.br

