

**ROTARY CUTTERS**

## **RC2E 3100 LSL**

**Code:** 0501093037  
**Series:** S-0701  
**Revision:** 00  
**Date Revision:** JULHO/2021

# **PARTS CATALOGUE**



**MARCHESAN**



# PRODUCTS

Code	Description
0104120060	RC2/E 3100 LSL C/R C/PROT CORR S701

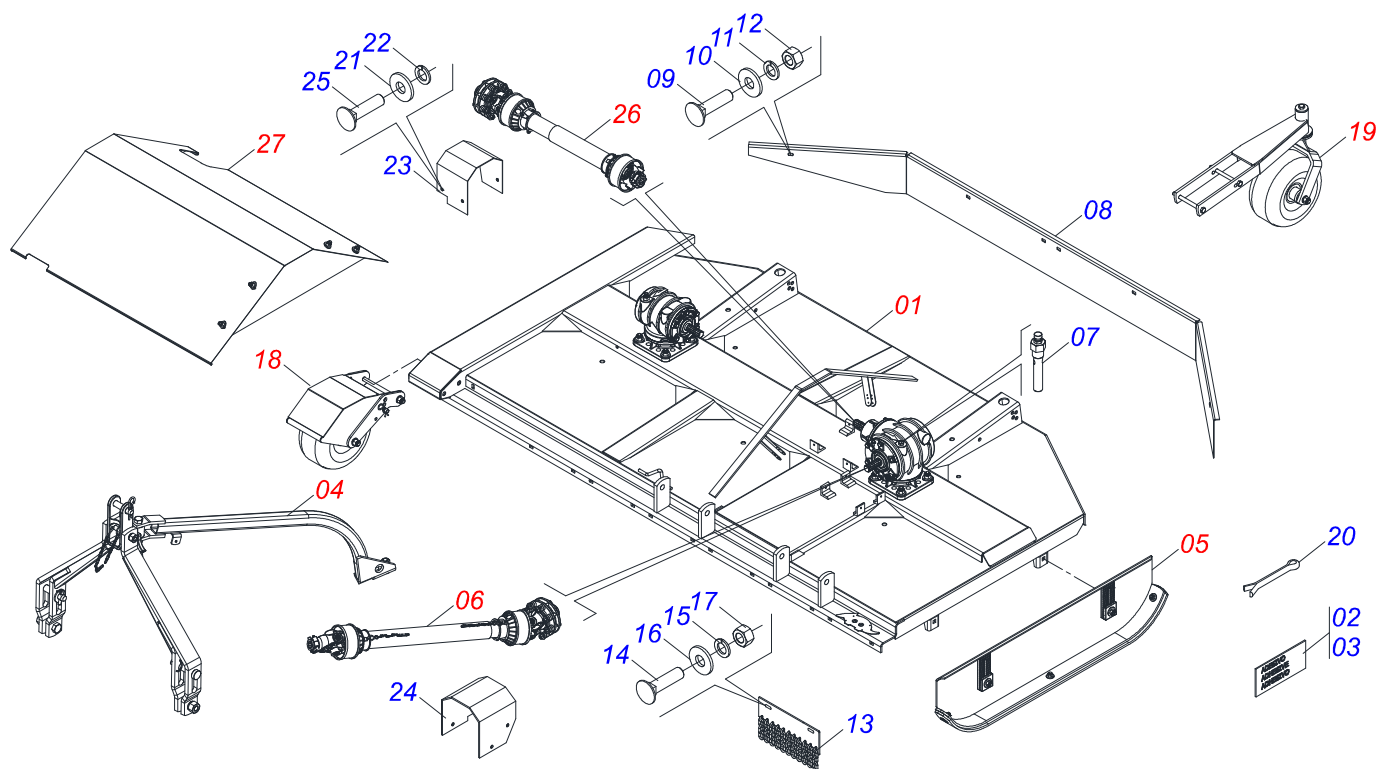
## ATTENTION: IMPORTANT

Marchesan S.A. reserves the right to improve and / or modify the technical features of its products, without obligation to do the same with those products already sold and without prior knowledge of the dealer or the consumer.

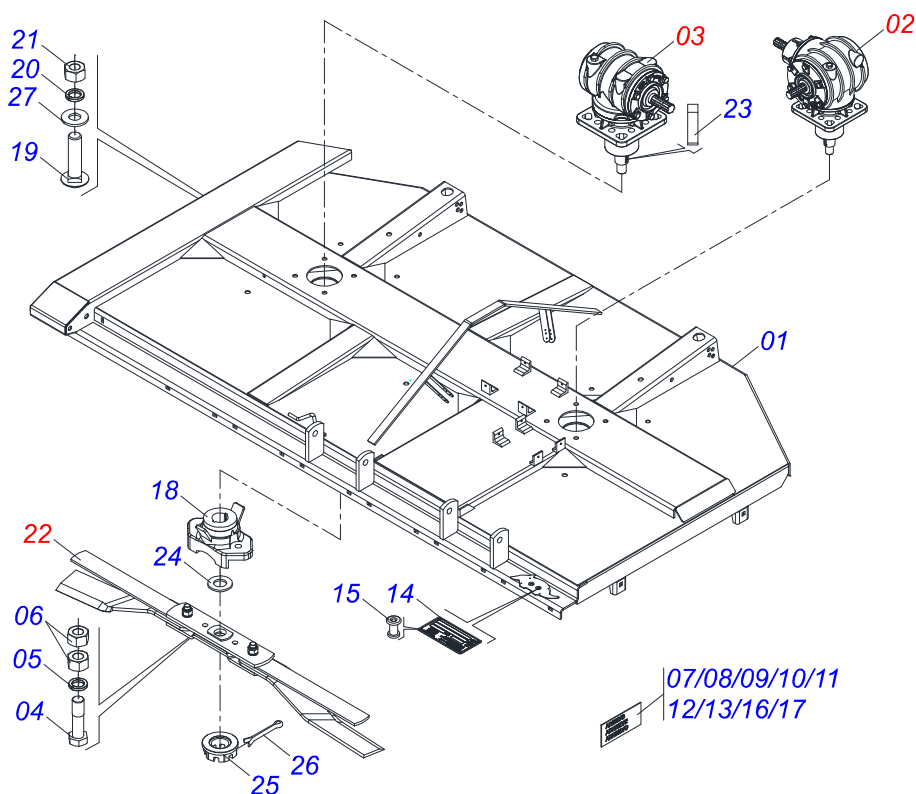


# INDEX

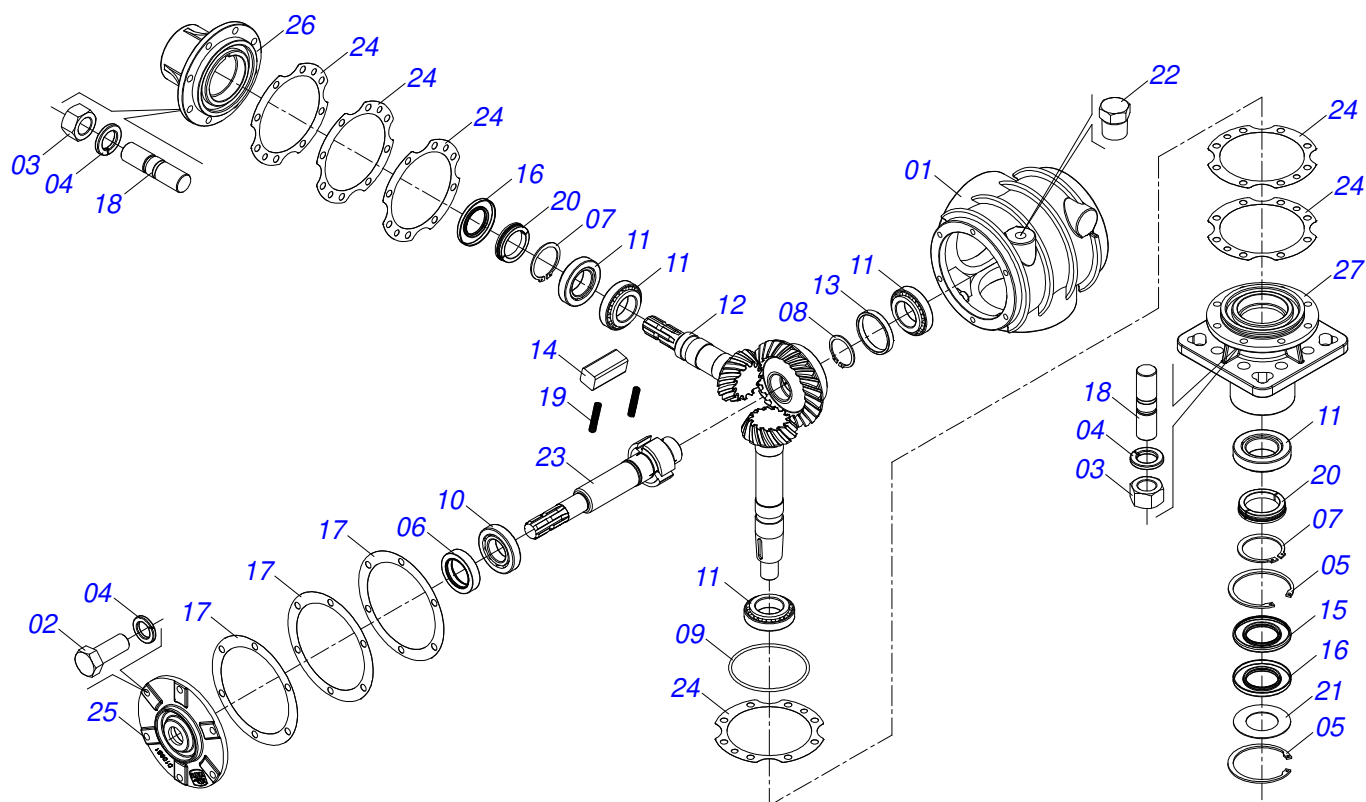
0909092356	ASSY FRAME	.....	1
0501055131	SEMIFINISHED FRAME	.....	2
0501047684	DISTRIBUTOR MULTIPLIER	.....	3
0511040882	SPEED TRANSMISSION	.....	4
0501056327	RIGHT WHEEL SUPPORT	.....	5
0909095888	COMPLETE HEADER ASSY	.....	6
0909095889	SKATE ASSEMBLY	.....	7
0909095890	PROTECTION COVER ASSY	.....	8
0511044473	FRONT WHEEL RIGHT WITH ASSY PROTECTION	.....	9
0511044441	CARRYING WHEELS ASSY	.....	10
0511041996	DRIVE SHAFT	.....	11



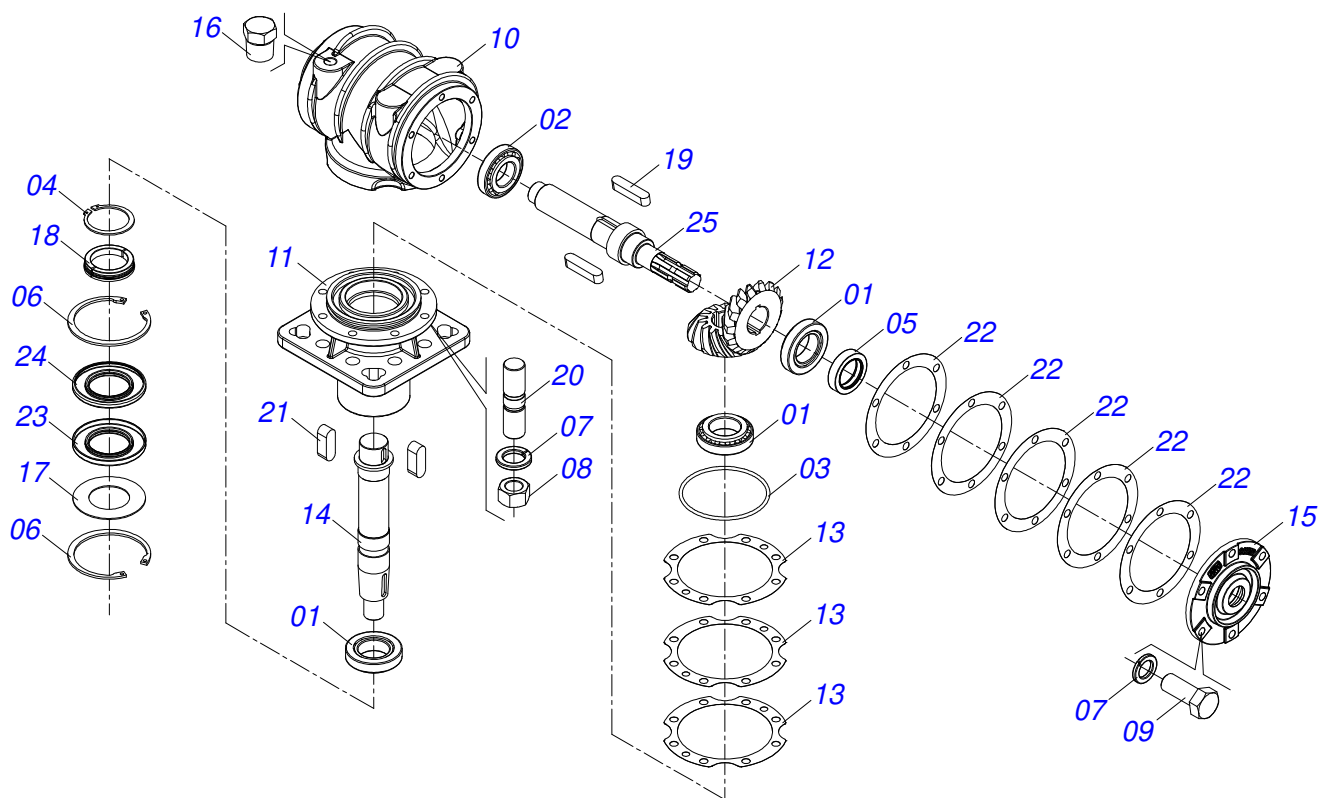
Item	Code	Description	See page	QT
01	0501055131	SEMINISHED FRAME	2	01
02	0503034247	ADHESIVE LABEL POINT LUBRICATION		01
03	0503031127	ADHESIVE LABEL		02
04	0909095888	COMPLETE HEADER ASSY	6	01
05	0909095889	SKATE ASSEMBLY	7	03
06	0501045426	DRIVE SHAFT		01
07	0501110186	OIL SMALLER LEVEL INDICATOR		02
08	0531016623	REAR PROTECTION		01
09	0501011600	1/2" X 1-1/4" BOLT		06
10	0511017302	FLAT WASHER		06
11	0503011440	SPRING WASHER		06
12	0503012682	1/2" BSW NUT		06
13	0511066921	CHAIN PROTECTION		04
14	0501011600	1/2" X 1-1/4" BOLT		08
15	0503010019	1/2" SPRING WASHER		08
16	0511017302	FLAT WASHER		08
17	0503012682	1/2" BSW NUT		08
18	0511044473	FRONT WHEEL RIGHT WITH ASSY PROTECTION	9	01
19	0511044441	CARRYING WHEELS ASSY	10	02
20	0503010257	1/8" X 1" COTTERPIN		01
21	0501010984	FLAT WASHER		12
22	0503010025	3/8" SPRING WASHER		12
23	0531017842	COVER OF LATERAL PROTECTION		01
24	0531017931	FRONT PROTECTION COVER		01
25	0503010256	3/8" X 3/4" BOLT		12
26	0511041996	DRIVE SHAFT	11	01
27	0909095890	PROTECTION COVER ASSY	8	01



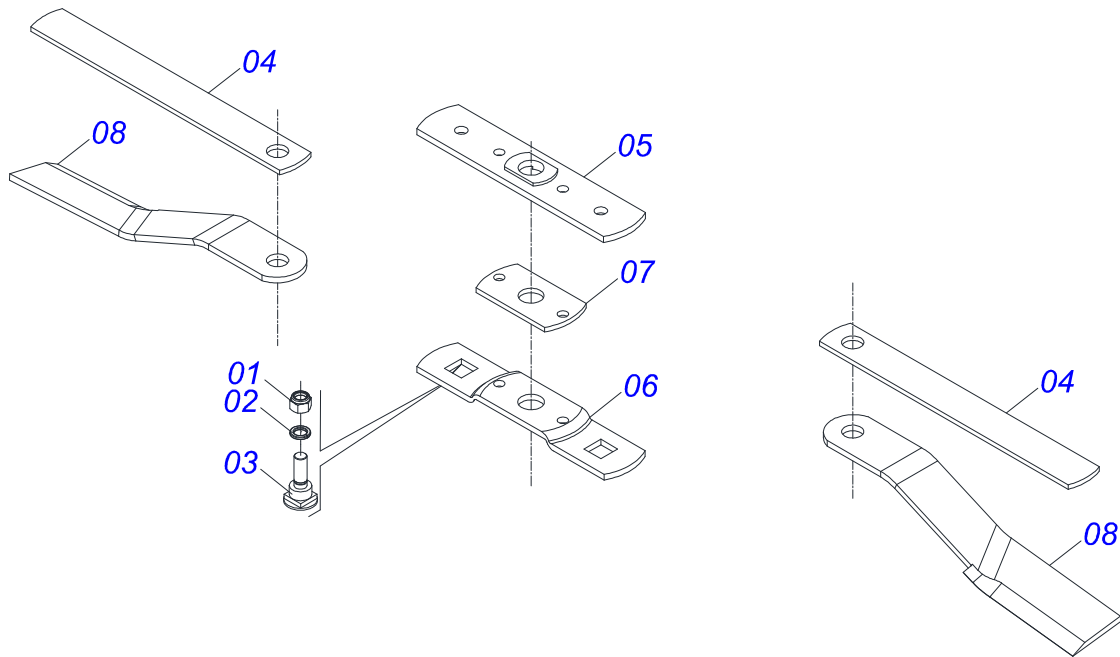
Item	Code	Description	See page	QT
01	0511063567	FRAME		01
02	0501047684	DISTRIBUTOR MULTIPLIER	3	01
03	0511040882	SPEED TRANSMISSION	4	01
04	0503010797	3/4" X 4" BOLT		08
05	0503011442	3/4" SPRING WASHER		12
06	0503010014	3/4" NUT		12
07	0503031931	ADHESIVE LABEL		01
08	0503031929	ADHESIVE LABEL		01
09	0503031428	READ MANUAL DECAL		01
10	0503031427	ADHESIVE LABEL		01
11	0503031930	ADHESIVE LABEL		01
12	0503032060	ADHESIVE LABEL		02
13	0503061028	SET LABEL ADHESIVE		01
14	0503034003	SERIAL NUMBER TAG 61 X 118		01
15	0503010001	3.2 X 5.5 RIVET		04
16	0503032949	ADHESIVE LABEL		01
17	0503032534	ADHESIVE LABEL		01
18	0502012453	SUPPORT FLANGE		01
19	0503011328	3/4" X 4" BOLT		02
20	0503011442	3/4" SPRING WASHER		02
21	0503010014	3/4" NUT		02
22	0501056327	RIGHT WHEEL SUPPORT	5	02
23	0501010536	KEYWAY SQUARE		04
24	0501017779	32 X 60 X 4.75 FLAT WASHER		02
25	0503011052	1.1/4" X 0.77" CASTLE NUT		02
26	0503010067	3/16" X 2.1/2" COTTER PIN		02
27	0501010322	FLAT WASHER		04



Item	Code	Description	See page	QT
01	0502011171	MULTIPLIER BOX	01	01
02	0503010395	1/2" X 1-1/4" BOLT	06	06
03	0503010028	1/2" NUT	16	16
04	0503011440	SPRING WASHER	22	22
05	0503011190	SEAL RING	02	02
06	0503011171	00912-BRG SEAL	01	01
07	0503010396	501060 CLAMPING RING (FOR AXLE)	02	02
08	0503010372	501050 CLAMPING RING (FOR AXLE)	01	01
09	0503010286	2-355 N 3006-9B O'RING	01	01
10	0503010037	30207 ROLLER BEARING	01	01
11	0503010006	32210 ROLLER BEARING	05	05
12	0503060216	CROWN PINION SET	01	01
13	0571013096	FLAT WASHER Ø63.45 X Ø72.85 X 10	01	01
14	0501010649	RATCHET CLICK	03	03
15	0503011201	5089 SEAL WITH HOLE	01	01
16	0503011047	5089 SEAL	02	02
17	0503030784	8.5" X 6.7" X 0.01" JOINT	03	03
18	0503030084	1/2" X 1/2" X 2.0" STUD	16	16
19	0503030051	0.2" X 1" X 0.1" COMPRESSION SPRING	06	06
20	0511010142	LOCK RING	02	02
21	0521018064	FLAT WASHER	01	01
22	0503031604	1/2" BSP PLUG	01	01
23	0503050051	UPPER AXLE	01	01
24	0503030785	7.9" X 5.9" X 0.008" JOINT	06	06
25	0502010981	LARGER COVER	01	01
26	0502011997	SIDE BOX	01	01
27	0502011392	HOUSING LOWER	01	01
28	3402301247	MINERAL OIL GREASE	04	04

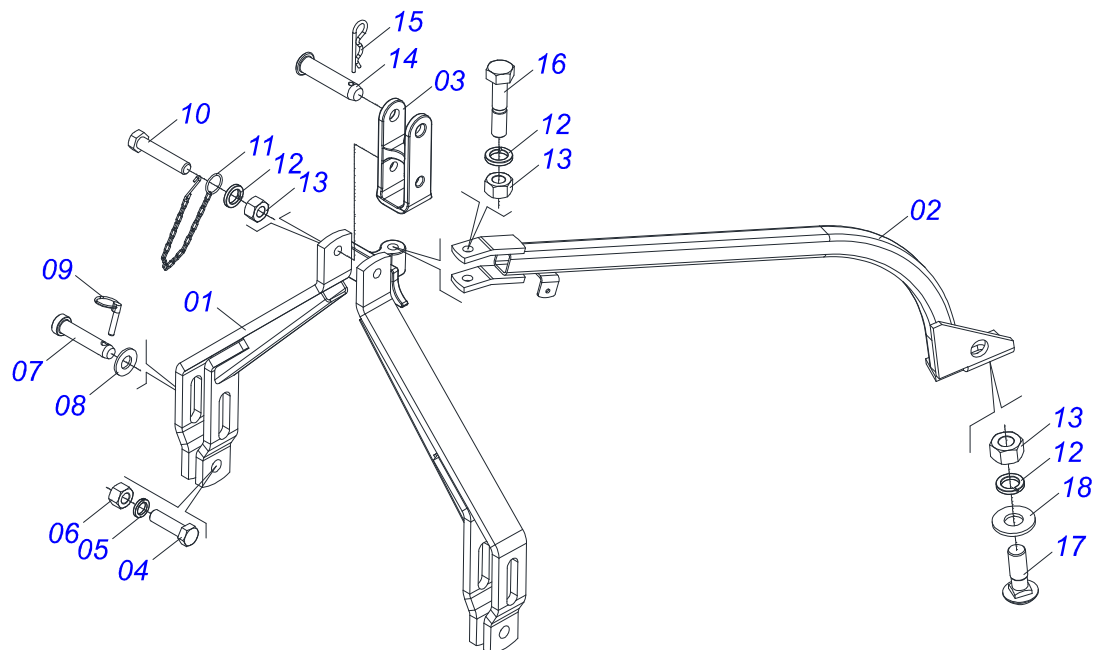


Item	Code	Description	See page	QT
01	0503010006	32210 ROLLER BEARING		03
02	0503010037	30207 ROLLER BEARING		01
03	0503010286	2-355 N 3006-9B O'RING		01
04	0503010396	501060 CLAMPING RING (FOR AXLE)		01
05	0503011171	00912-BRG SEAL		01
06	0503011190	SEAL RING		02
07	0503011440	SPRING WASHER		14
08	0503810028	NUT 1/2 NF SA		08
09	0503810395	SCREW 1/2 UNC X 1.1/4 CSRT G.5 SA		06
10	0502010984	LEFT MULTIPLIER BOX		01
11	0502011392	HOUSING LOWER		01
12	0503060249	CONICAL GEAR SET FOR DOUBLE DISTRIBUTOR		01
13	0503030785	7.9" X 5.9" X 0.008" JOINT		03
14	0503050048	AXLE LOWER		01
15	0502011152	SMALLER COVER		01
16	0503031604	1/2" BSP PLUG		01
17	0521818064	FLAT WASHER		01
18	0511010142	LOCK RING		01
19	0501010536	KEYWAY SQUARE		02
20	0503830084	PRISONER 1/2 UNC X 1/2 UNF X 50 SA		08
21	0501012993	0.4" X 1.1"KEYWAY SQUARE		02
22	0503030783	7.1" X 5.3" X 0.008" JOINT		05
23	0503011047	5089 SEAL		01
24	0503011201	5089 SEAL WITH HOLE		01
25	0503050067	UPPER AXLE		01
26	3402301247	MINERAL OIL GREASE		3,4Lts

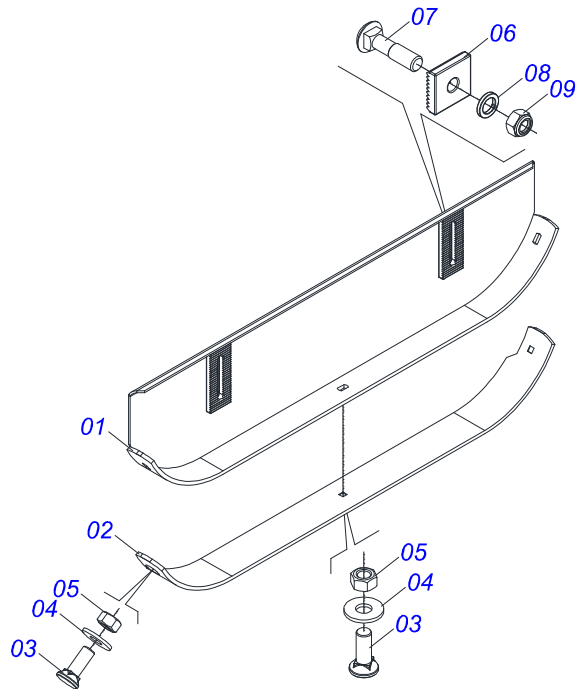


Item	Code	Description	See page	QT
01	0503010812	7/8" UNF SELF LOCKING NUT		02
02	0503011447	SPRING WASHER		02
03	0531014512	FASTERNER ROCADORES		02
04	0531015055	620 FOLLOWER		02
05	0561017308	SUPPORT UPPER BASE		01
06	0561017368	ROTARY LOWER SUPPORT		01
07	0561017309	ROCADORES SUPPORT CHOCK		01
08	0622400074	ROTARY CUTTER		02

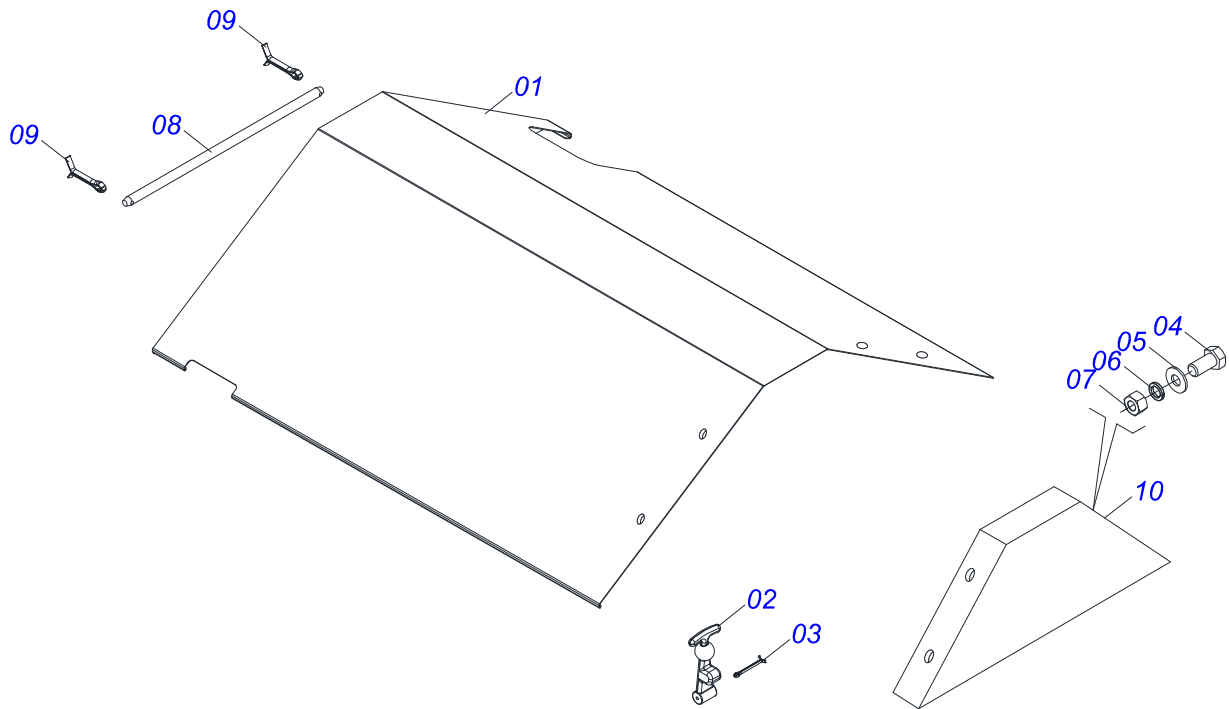




Item	Code	Description	See page	QT
01	0511062006	DRAWBAR		01
02	0501067540	FRENCH HAND		01
03	0502040922	HEADER SUPPLEMENT		01
04	0501010171	BOLT 1 UNC X 3.1/2 C S G.5		02
05	0503010012	1" SPRING WASHER		02
06	0501010059	1.5/8 NUT		02
07	0521010629	1.1" X 5.1" COUPLING SHAFT		02
08	0501010065	1" SPRING WASHER		02
09	0503030430	7/16 X 2" PIN LOCK		02
10	0503011198	C3/4" X 6" SCREW		01
11	0503011981	17.7" CHAIN WITH HOOK/LINK		01
12	0503010023	3/4" SPRING WASHER		03
13	0503010014	3/4" NUT		03
14	0521010578	COUPLING SHAFT		01
15	0503031035	HAIR PIN		01
16	0501010216	3/4" X 4-1/2" BOLT		01
17	0501017305	3/4" X 2-1/4" BOLT		01
18	0501010322	FLAT WASHER		01

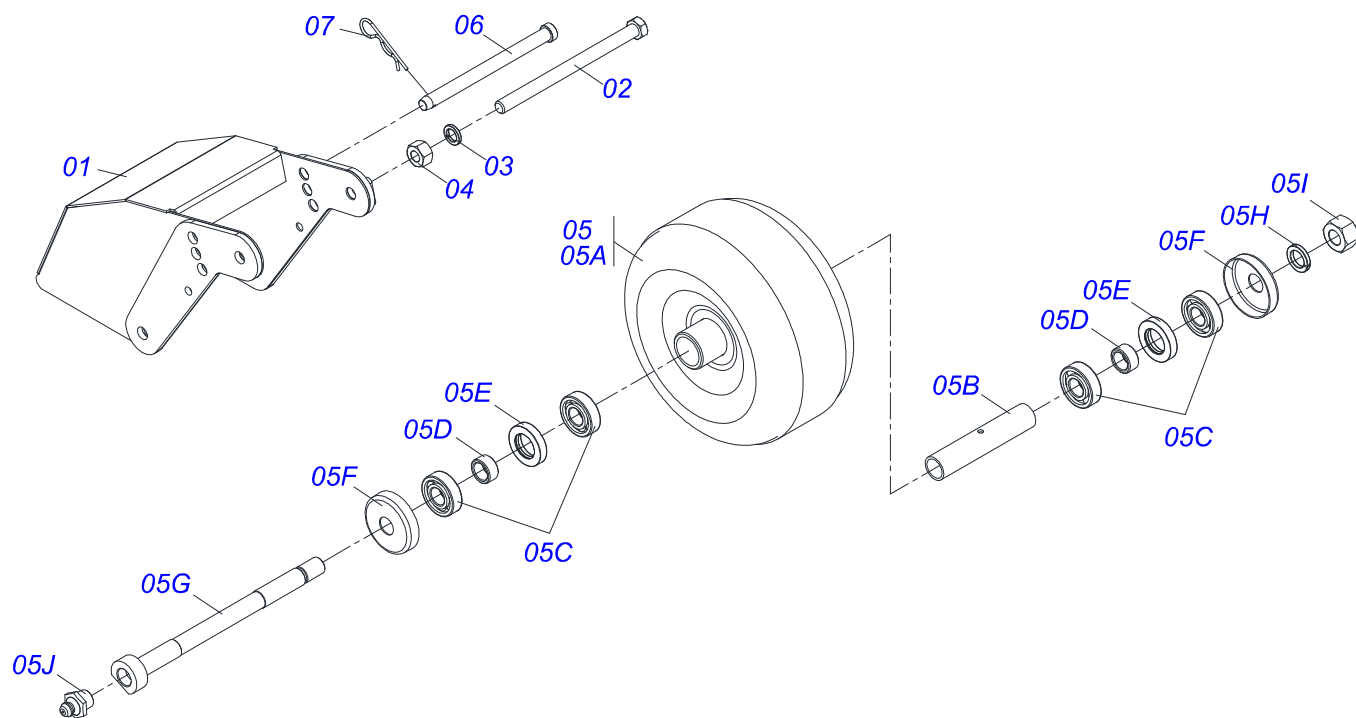


Item	Code	Description	See page	QT
01	0511064759	1270 SKATE		01
02	0531019433	SKID GUIDE		01
03	0503012956	1/2" X 1-1/2" BOLT		03
04	0511017302	FLAT WASHER		03
05	0503012682	1/2" BSW NUT		03
06	0502010083	SQUARE WASHER		02
07	0501014177	5/8" X 2-1/2" BOLT		04
08	0503010027	5/8" SPRING WASHER		04
09	0503010013	5/8" NUT		04

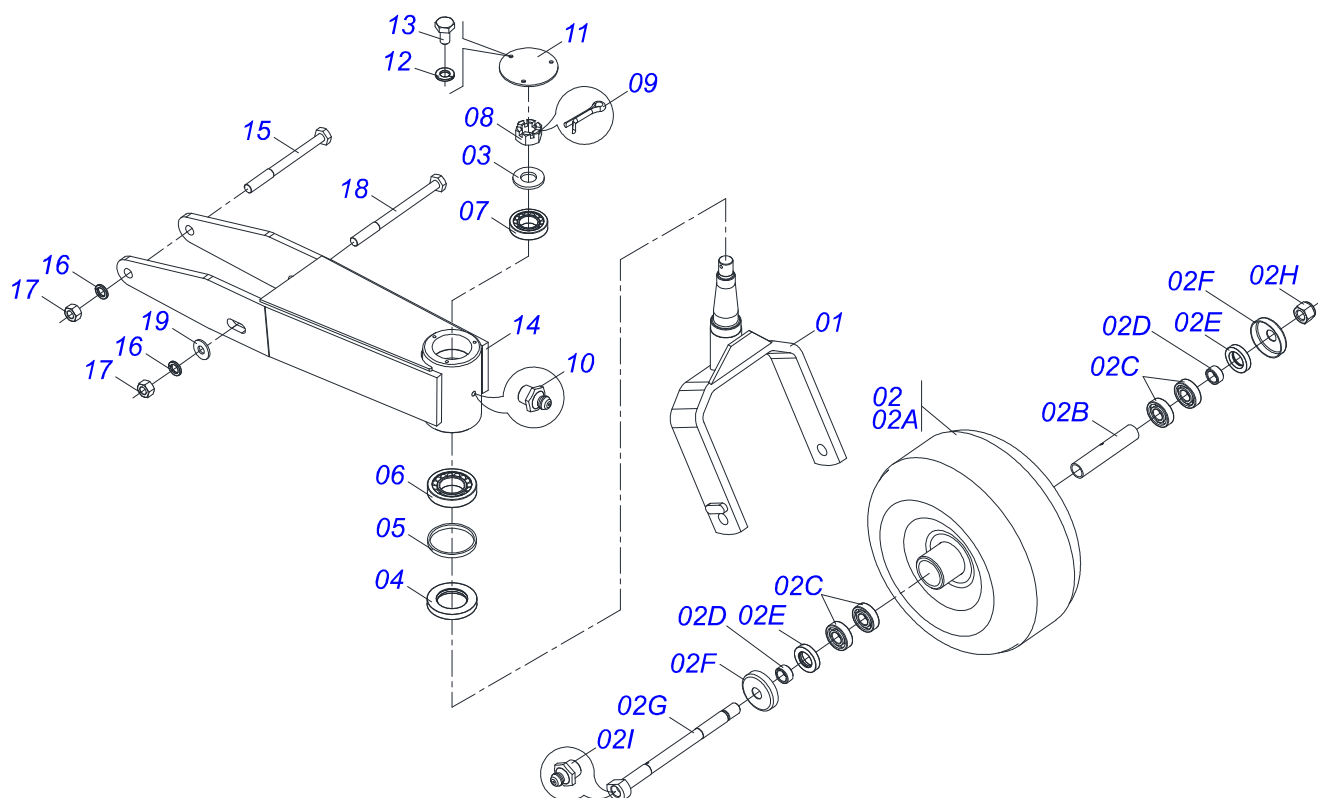


Item	Code	Description	See page	QT
01	0511063566	PROTECTION COVER		01
02	0503011333	COVER FIXER		02
03	0503010038	3/16 X 2 COTTERPIN		02
04	0501011643	3/8 X 1" BOLT		04
05	0501010984	FLAT WASHER		04
06	0503010025	3/8" SPRING WASHER		04
07	0503010026	3/8" NUT		04
08	0521011670	AXLE WITH PROTECTION		01
09	0503010300	5/32" X 1" COTTERPIN		02
10	0531017928	PROTECTION LOCK COVER		01

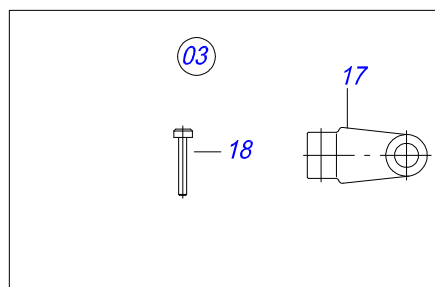
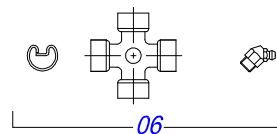
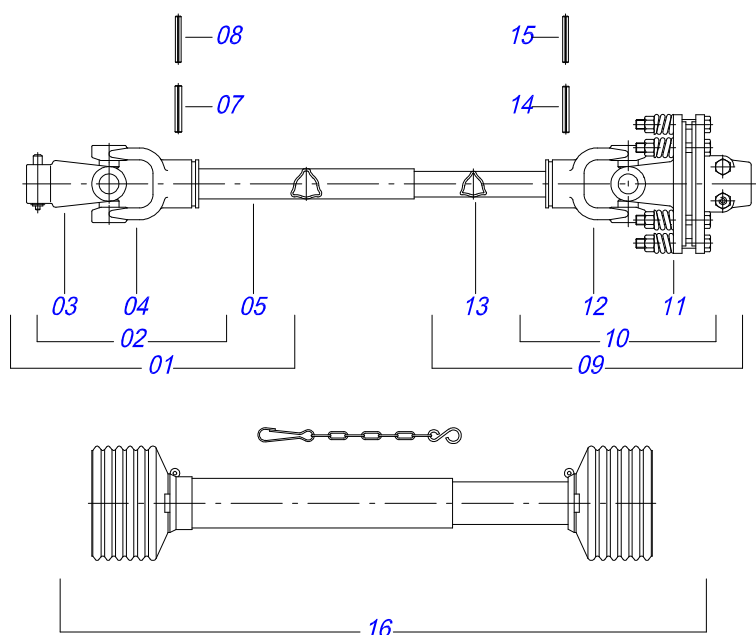
FRONT WHEEL RIGHT WITH ASSY PROTECTION



Item	Code	Description	See page	QT
01	0521061648	COVER FRONT WHEEL SUPPORT		01
02	0503012951	3/4" X 10-1/2" BOLT		01
03	0503010023	3/4" SPRING WASHER		01
04	0503010014	3/4" NUT		01
05	0501053885	ARM REAR WHELL		01
05A	0511063509	14" X 8" WHELL		01
05B	0531014502	0.9" X 1.1" X 6.3" SLEEVE		01
05C	0503010269	6204 BALL BEARING		04
05D	0521010487	SPACER WASHER		02
05E	0503010268	00262-B SEAL		02
05F	0511014254	DUST CLOAK		02
05G	0551011854	REAR CARRYING WHEELS AXLE		01
05H	0503011442	3/4" SPRING WASHER		01
05I	0503010014	3/4" NUT		01
05J	0503010002	1800 GREASE FITTING		01
06	0541018559	REAR WHELL CONTROL AXLE		01
07	0503030012	HAIR PIN		01
08	1882970002	GREASE SOAP		01Kg



Item	Code	Description	See page	QT
01	0511067159	REAR WHEELS FORK		01
02	0501057218	ARM REAR WHELL		01
02A	0511063509	14" X 8" WHELL		01
02B	0531014502	0.9" X 1.1" X 6.3" SLEEVE		01
02C	0503010269	6204 BALL BEARING		04
02D	0521010487	SPACER WASHER		02
02E	0503010268	00262-B SEAL		02
02F	0511014254	DUST CLOAK		02
02G	0551011854	REAR CARRYING WHEELS AXLE		01
02H	0503011075	3/4" UNC NUT		01
02I	0503010002	1800 GREASE FITTING		01
03	0511015994	FLAT WASHER		01
04	0503010279	SEAL		01
05	0541018986	WASHER		01
06	0503010360	30208 ROLLER BEARING		01
07	0503011290	30206 BALL BEARING		01
08	0503030009	1" CASTLE NUT		01
09	0503010523	1/4" X 2" COTTERPIN		01
10	0503010002	1800 GREASE FITTING		01
11	0541018995	WHEEL BOX COVER		01
12	0503011441	SPRING WASHER		03
13	0503013758	1/4" X 1-1/2" BOLT		03
14	0511067801	REAR WHEEL SUPPORT		01
15	0503010795	5/8" X 7" BOLT		01
16	0503011445	SPRING WASHER		02
17	0503010013	5/8" NUT		02
18	0503012410	5/8" X 7.1/2" BOLT		01
19	0501012140	FLAT WASHER		01



Item	Code	Description	See page
01	0501055309	UNIVERSAL JOINT W/FEMALE TUBE	01
02	0501055308	UNIVERSAL JOINT	01
03	0501052516	T6-60 TERMINAL WITH SCREW	01
04	0503012608	T2-60/CI51 TERMINAL	01
05	0503013240	FEMALE TRIANGULAR TUBE	01
06	0503010837	CARDAN CROSSPIECE	01
07	0503010843	0.4" X 3.3" SPRING PIN	01
08	0503011878	0.2" X 3.3" SPRING PIN	01
09	0501055310	UNIVERSAL JOINT	01
10	0501052520	UNIVERSAL JOINT WITH CROSSPIECE	01
11	0501049150	90 KGM FRICTION	01
12	0503012600	T3-60/CI52 TERMINAL	01
13	0503013241	MALE TRIANGULAR TUBE	01
14	0503011069	0.4" X 2.8" SPRING PIN	01
15	0503011805	0.2" X 2.8" SPRING PIN	01
16	0503012074	PROTECTION ASSY	01
17	0502010830	6-60 STRIATED 1.3/8" TERMINAL	01
18	0501047759	1/2" X 3-1/2" BOLT ASSY	01





**MARCHESAN**

**Technical Publications | Elaboration and Revision**

LORENA ROCHA ALVES

[www.marchesan.com.br](http://www.marchesan.com.br)

