

ROTARY CUTTERS

RO² 3101 WITHOUT CURRENT PROTECTION/URUGUAYAN EXPORT

Code: 0501093035
Series: S-0214
Revision: 00
Date Revision: JUNHO/2021

PARTS CATALOGUE



MARCHESAN



PRODUCTS

Code	Description
0104040027C	RO2 3101 S/PROT CORR EXP URUG S-0214
0104040027	RO2 3101 S/PROT CORR EXP URUG S0214

ATTENTION: IMPORTANT

Marchesan S.A. reserves the right to improve and / or modify the technical features of its products, without obligation to do the same with those products already sold and without prior knowledge of the dealer or the consumer.

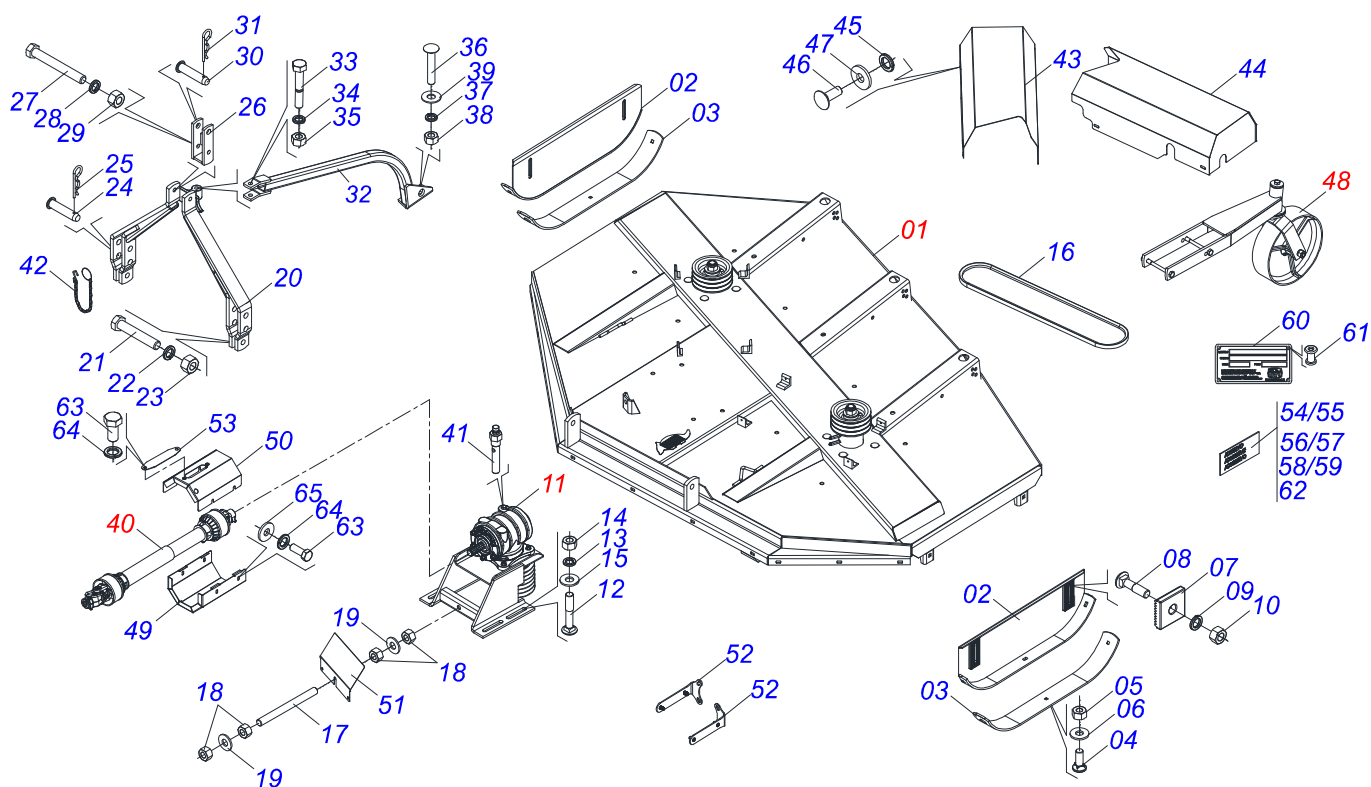


MARCHESAN

INDEX

0909095857	FRAME ASSY	1
0511054777	SEMI FINISHED FRAME	2
0511043567	ROTARY CUTTERS HUB ASSY	3
0511043566	ROTARY CUTTERS HUB ASSY	4
0501051019	MULTIPLIER	5
0501046851	MULTIPLIER	6
0501047952	DRIVE SHAFT	7
0511047301	CARRYING WHEELS ASSY	8

FRAME ASSY



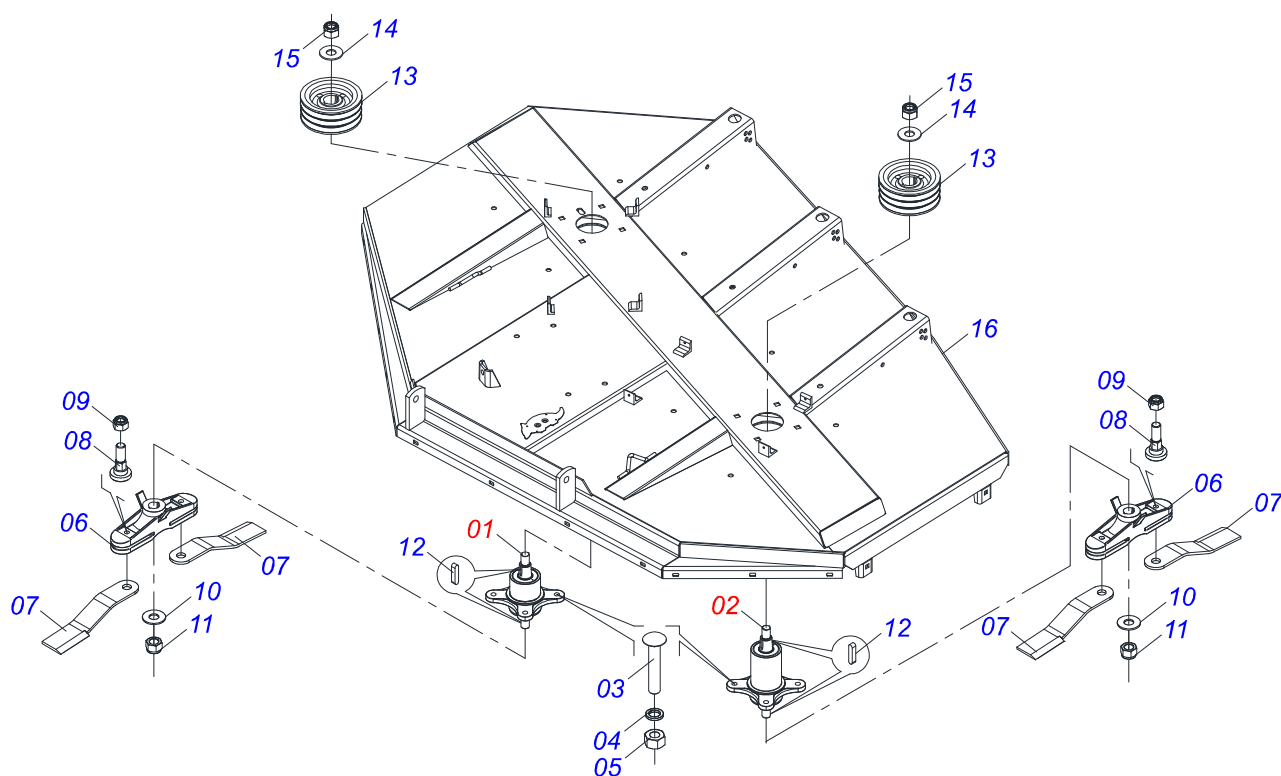
Item	Code	Description	See page	QT
01	0511054777	SEMI-FINISHED FRAME	2	01
02	0511064760	930 SKID		02
02.	0511064761	930 LEFT SKID		02
03	0531019436	SKID GUIDE		02
04	0503012956	1/2" X 1-1/2" BOLT		06
05	0503010020	1/2"NUT		06
06	0511017302	FLAT WASHER		06
07	0502010083	SQUARE WASHER		04
08	0501014177	5/8" X 2-1/2" BOLT		04
09	0503010027	5/8" SPRING WASHER		04
10	0503010013	5/8" NUT		04
11	0501051019	MULTIPLIER	5	01
12	0501010162	3/4" X 4" BOLT		04
13	0503010023	3/4" SPRING WASHER		04
14	0503010014	3/4" NUT		04
15	0501010322	FLAT WASHER		04
16	0503010156	C-85 BELT		06
17	0501016413	362 TENSIONER BODY		01
18	0503010014	3/4" NUT		04
19	0501010322	FLAT WASHER		01
20	0501066446	DRAWBAR		01
21	0501010171	BOLT 1 UNC X 3.1/2 C S G.5		02
22	0503010012	1" SPRING WASHER		02
23	0501010059	1.5/8 NUT		02
24	0521010596	COUPLING SHAFT		02
25	0503031035	HAIR PIN		02
26	0502040922	HEADER SUPPLEMENT		01
27	0503011198	C3/4" X 6" SCREW		01
28	0503010023	3/4" SPRING WASHER		01
29	0503010014	3/4" NUT		01
30	0521010578	COUPLING SHAFT		01



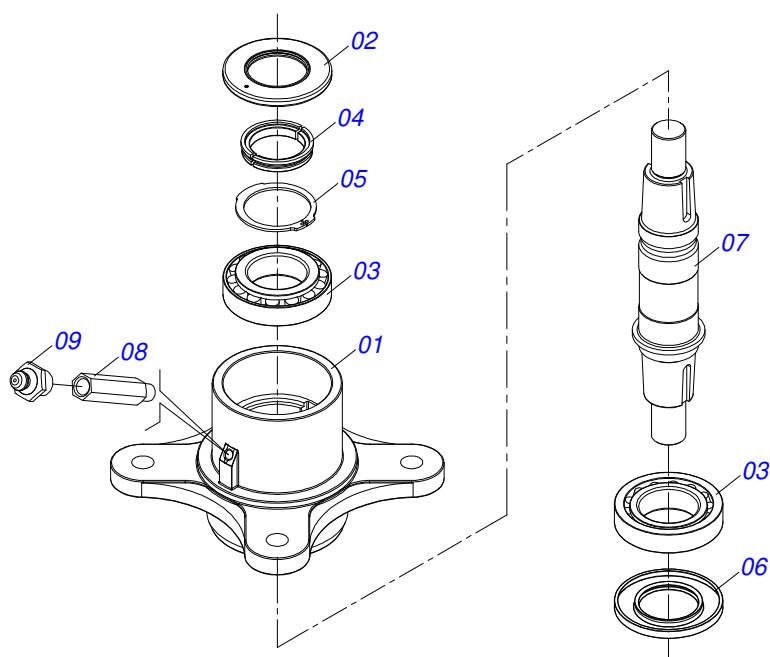
FRAME ASSY

0909095857

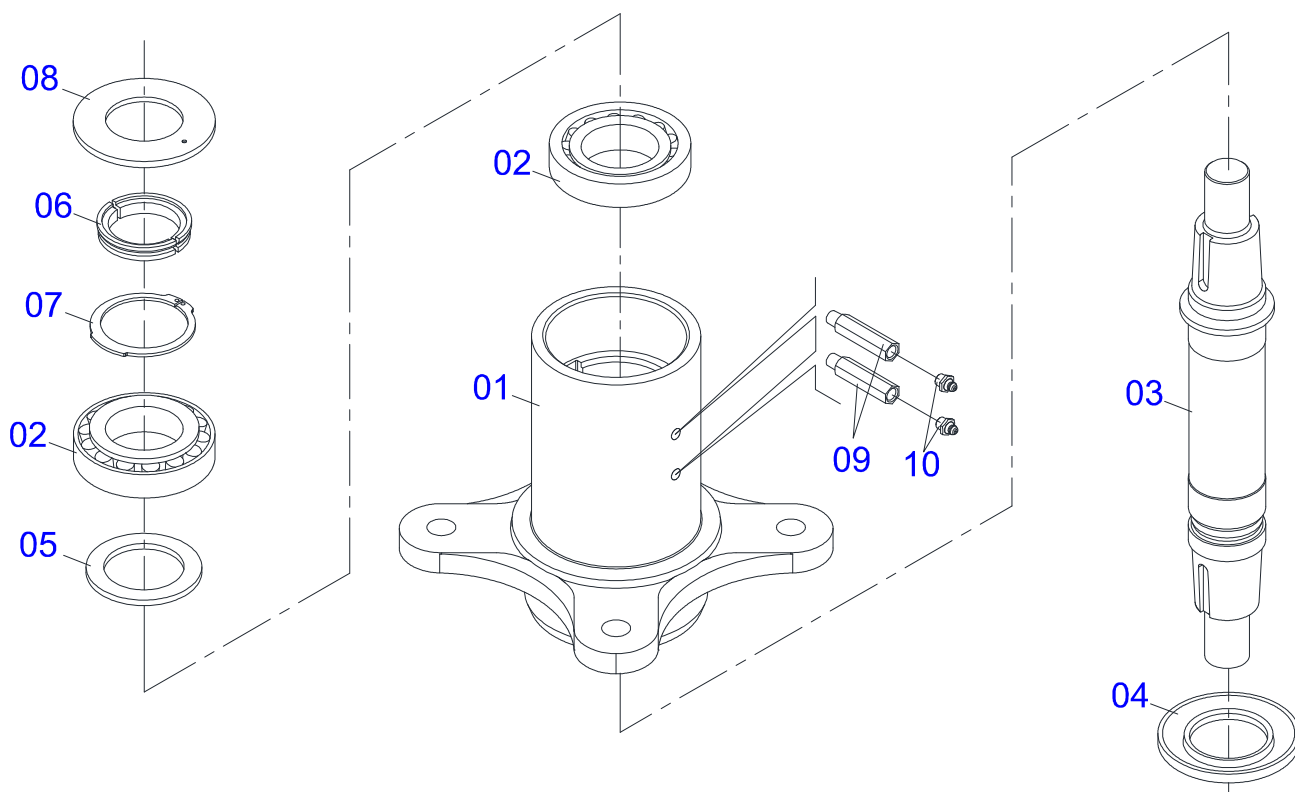
Item	Code	Description	See page	QT
31	0503031035	HAIR PIN		01
32	0521066524	ATTACHMENT BAR		01
33	0501017305	3/4" X 2-1/4" BOLT		01
34	0503010023	3/4" SPRING WASHER		01
35	0503010014	3/4" NUT		01
36	0501010216	3/4" X 4-1/2" BOLT		01
37	0503010023	3/4" SPRING WASHER		01
38	0503010014	3/4" NUT		01
39	0501010322	FLAT WASHER		01
40	0501047952	DRIVE SHAFT	7	01
41	0501110186	OIL SMALLER LEVEL INDICATOR		01
42	0503011981	17.7" CHAIN WITH HOOK/LINK		01
43	0531017934	COVER OF RIGHT PROTECTION		01
44	0521066887	PROTECTION COVER OF THE BELT		01
45	0503010025	3/8" SPRING WASHER		08
46	0503010256	3/8" X 3/4" BOLT		08
47	0501010984	FLAT WASHER		08
48	0511047301	CARRYING WHEELS ASSY	8	02
49	0581011777	BODY LOWER PROTECTION COAT		01
50	0501110998	CARDAN TOP PROTECTION COVER		01
51	0581013061	MULTIPLIER SUPPORT PROTECTION 315		01
52	0501110996	LOWER SUPPORT COVER PROTECTION WITH RIVET		02
53	0521052619	TRANSMISSION SHAFT LUBRICATION DOOR WITH ADHESIVE		01
54	0503031931	ADHESIVE LABEL		01
55	0503031929	ADHESIVE LABEL		01
56	0503031428	READ MANUAL DECAL		01
57	0503031930	ADHESIVE LABEL		01
58	0503031087	ADHESIVE LABEL		01
59	0503060906	SET LABEL ADHESIVE		01
60	0503034003	SERIAL NUMBER TAG 61 X 118		01
61	0503010001	3.2 X 5.5 RIVET		04
62	0503032949	ADHESIVE LABEL		01
63	0503010256	3/8" X 3/4" BOLT		06
64	0503010025	3/8" SPRING WASHER		06
65	0501010984	FLAT WASHER		04



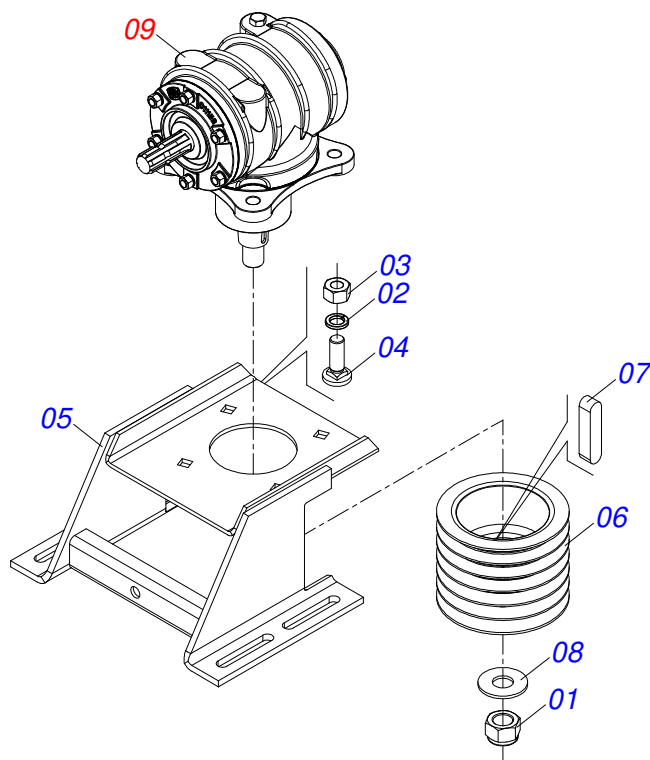
Item	Code	Description	See page	QT
01	0511043567	ROTARY CUTTERS HUB ASSY	3	01
02	0511043566	ROTARY CUTTERS HUB ASSY	4	01
03	0503013122	3/4 UNC X 4.1/4 CAPQ G.5 ZNBOLT		08
04	0503011442	3/4" SPRING WASHER		08
05	0503010014	3/4" NUT		08
06	0502011570	SUPPORT ROTARY CUTTER BLADES		02
07	0622400054	24.5" X 3.94" X 0.5" ROTARY CUTTER		04
08	0541013328	FASTERNER ROCADORES		04
09	0503010063	1" SELF-ALIGNING NUT		04
10	0561015762	FLAT WASHER		02
11	0503010817	1.1/4" SELF LOCKING NUT		02
12	0501010536	KEYWAY SQUARE		04
13	0502011377	REEL 190 X 50 PULLEY		02
14	0501017779	32 X 60 X 4.75 FLAT WASHER		02
15	0503010817	1.1/4" SELF LOCKING NUT		02
16	0521064680	FRAME		01



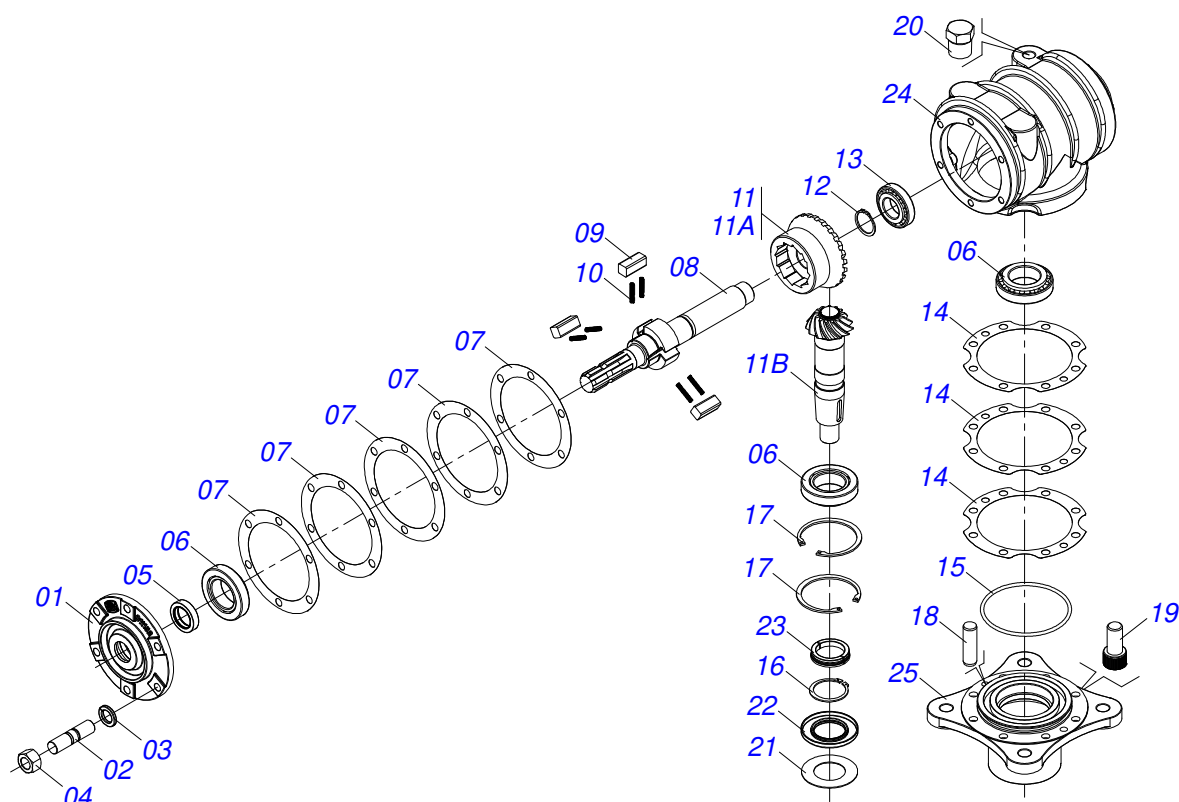
Item	Code	Description	See page	QT
01	0502012294	DROP HUB		01
02	0503013201	ARCA 6016 BRG SEAL		01
03	0503012418	32211 ROLLER BEARING		02
04	0541014445	LOCK RING		01
05	0503012311	501065 RENO RING		01
06	0503013211	6016 BRG SEAL		01
07	0541014095	ROTARY CUTTERS SMALLER AXLE		01
08	0501019757	EXTENSION GREASE FITTING		01
09	0503010002	1800 GREASE FITTING		01



Item	Code	Description	See page	QT
01	0502012295	ROTARY CUTTERS HUB		01
02	0503012418	32211 ROLLER BEARING		02
03	0541014094	LARGER AXLE		01
04	0503013201	ARCA 6016 BRG SEAL		01
05	0541014151	FLAT WASHER		01
06	0531019302	LOCK RING		01
07	0503012311	501065 RENO RING		01
08	0503013211	6016 BRG SEAL		01
09	0501019757	EXTENSION GREASE FITTING		02
10	0503010002	1800 GREASE FITTING		02

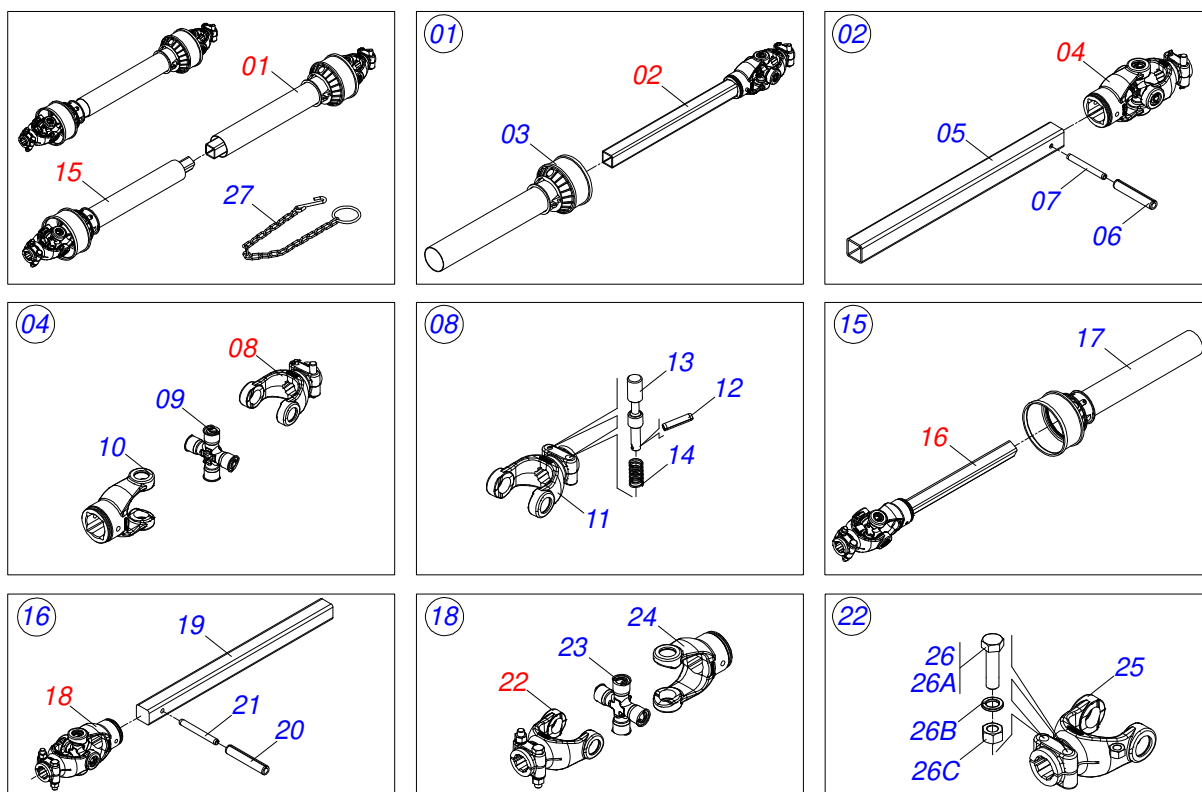


Item	Code	Description	See page	QT
01	0503010044	1-1/4" SELF LOCKING NUT		01
02	0503011442	3/4" SPRING WASHER		04
03	0503010014	3/4" NUT		04
04	0511018358	3/4" X 2-1/4"7MM BOLT		04
05	0501068059	MULTIPLIER SUPPORT		01
06	0502011378	6 REEL X 7.5" X 1.97" PULLEY		01
07	0501010536	KEYWAY SQUARE		02
08	0561015762	FLAT WASHER		01
09	0501046851	MULTIPLIER	6	01



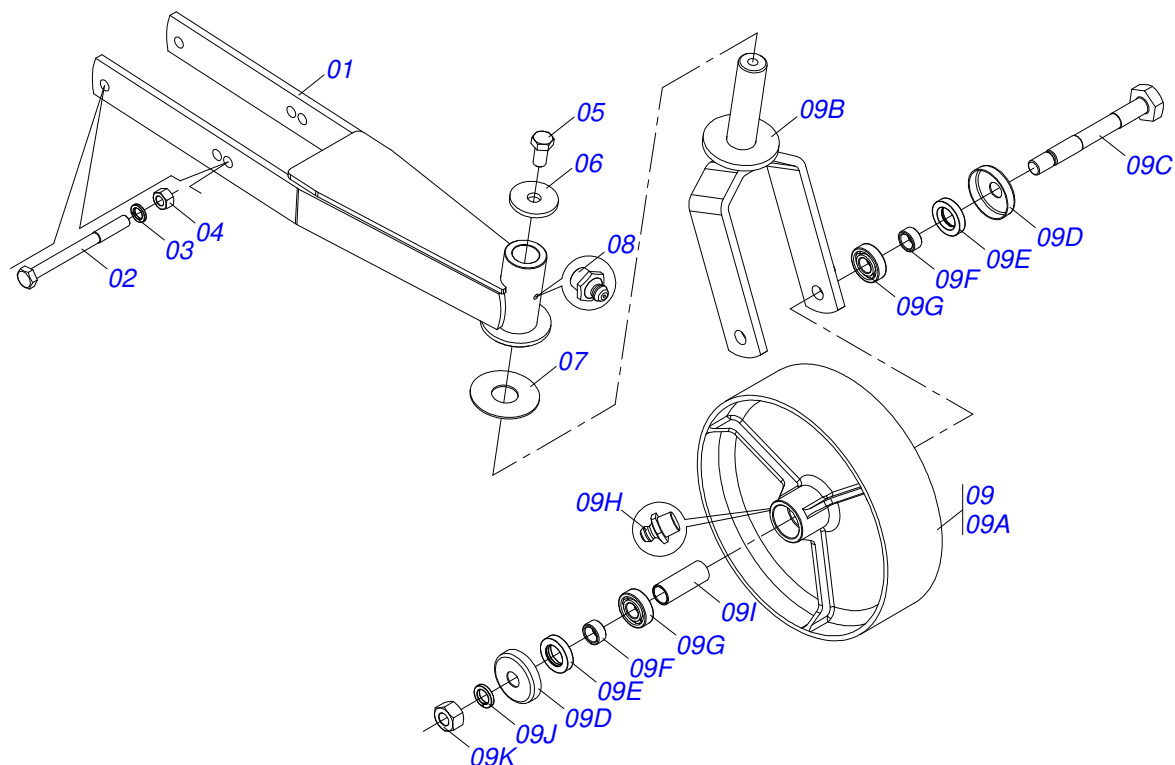
Item	Code	Description	See page	QT
01	0502011152	SMALLER COVER		01
02	0503030084	1/2" X 1/2" X 2.0" STUD		06
03	0503011440	SPRING WASHER		06
04	0503010028	1/2" NUT		06
05	0503011171	00912-BRG SEAL		01
06	0503010006	32210 ROLLER BEARING		03
07	0503030783	7.1" X 5.3" X 0.008" JOINT		05
08	0503050063	UPPER AXLE		01
09	0501010649	RATCHET CLICK		03
10	0503030051	0.2" X 1" X 0.1" COMPRESSION SPRING		06
11	0503060210	CROWN PINION SET		01
11A	0503050074	25Z CONICAL GEAR		01
11B	0503061048	PINION		01
12	0503010217	501040 CLAMPING RING (FOR AXLE)		01
13	0503010037	30207 ROLLER BEARING		01
14	0503030785	7.9" X 5.9" X 0.008" JOINT		03
15	0503010286	2-355 N 3006-9B O-RING		01
16	0503010396	501060 CLAMPING RING (FOR AXLE)		01
17	0503011190	SEAL RING		02
18	0503017877	PIN GUIDE		02
19	0503010562	1/2" X 1" BOLT		08
20	0503031604	1/2" BSP PLUG		01
21	0521018064	FLAT WASHER		01
22	0503011047	5089 SEAL		01
23	0511010142	LOCK RING		01
24	0502010984	LEFT MULTIPLIER BOX		01
25	0502011393	LOWER HUB		01

DRIVE SHAFT



Item	Code	Description	See page	QT
01	0501051705	UNIVERSAL JOINT WITH SLEEVE/PROT		01
02	0501051707	UNIVERSAL JOINT WITH SLEEVE		01
03	0503012084	PROTECTION FOR UNIV JOINT AND SLEEVE		01
04	0501051708	UNIVERSAL JOINT		01
05	0511010332	23" X 1.8" SQUARE SLEEVE		01
06	0503010843	0.4" X 3.3" SPRING PIN		01
07	0503011878	0.2" X 3.3" SPRING PIN		01
08	0501050334	1-60 TERMINAL WITH QUICK HITCH		01
09	0503010837	CARDAN CROSSPIECE		01
10	0502011422	2-60 TERMINAL		01
11	0502010568	1-60 STRIATED 1.3/8" TERMINAL		01
12	0503010838	0.1" X 0.8" SPRING PIN		02
13	0503037375	PIN QUICK COUPLING		02
14	0503030518	0.5"X1.0"X 0.1" COMPRESSION SPRING		02
15	0501051706	UNIVERSAL JOINT WITH AXLE/PROT		01
16	0501051709	UNIVERSAL JOINT WITH SHAFT		01
17	0503012085	PROTECTION FOR UNIV JOINT AND AXLE		01
18	0501051710	UNIVERSAL JOINT		01
19	0511010326	1.4" X 23" SQUARE SHAFT		01
20	0503011069	0.4" X 2.8" SPRING PIN		01
21	0503011805	0.2" X 2.8" SPRING PIN		01
22	0501052516	T6-60 TERMINAL WITH SCREW		01
23	0503010837	CARDAN CROSSPIECE		01
24	0502011424	3-60 TERMINAL		01
25	0502010830	6-60 STRIATED 1.3/8" TERMINAL		01
26	0501047756	1/2" X 3" SET PARTS		02
26a	0503010479	BOLT		01
26b	0503010019	1/2" SPRING WASHER		01
26c	0503010060	1/2" NUT		01
27	0503012023	CHAIN FOR PROTECTION		02

CARRYING WHEELS ASSY



Item	Code	Description	See page	QT
01	0521065281	WHEEL SUPPORT		01
02	0503010795	5/8" X 7" BOLT		02
03	0503010027	5/8" SPRING WASHER		02
04	0503010013	5/8" NUT		02
05	0503010962	5/8" X 1-1/4" BOLT		01
06	0511010721	FLAT WASHER		01
07	0511013239	FLAT WASHER		01
08	0503010002	1800 GREASE FITTING		01
09	0501058460	CARRYING WHEELS		01
09A	0502012519	350 X 100 WHEEL		01
09B	0501065266	WHELL FORK		01
09C	0501017143	WHEEL AXLE		01
09D	0511014254	DUST CLOAK		02
09E	0503010268	00262-B SEAL		02
09F	0521010487	SPACER WASHER		02
09G	0503010269	6204 BALL BEARING		02
09H	0503010002	1800 GREASE FITTING		01
09I	0521010460	0.9" X 1.1" X 2.9" SLEEVE		01
09J	0503011442	3/4" SPRING WASHER		01
09K	0503010014	3/4" NUT		01



MARCHESAN

Technical Publications | Elaboration and Revision

LORENA ROCHA ALVES

www.marchesan.com.br

