

PCA - AGRICULTURAL FRONT LOADER

PCA 800 NH TL 95E SHT CD SL

Code: 0501093031
Series: S-0414
Revision: 00
Date Revision: AGOSTO/2021

PARTS CATALOGUE



MARCHESAN



PRODUCTS

Code	Description
0106111455	PCA 800 NH TL 95E SHT CD SL

ATTENTION: IMPORTANT

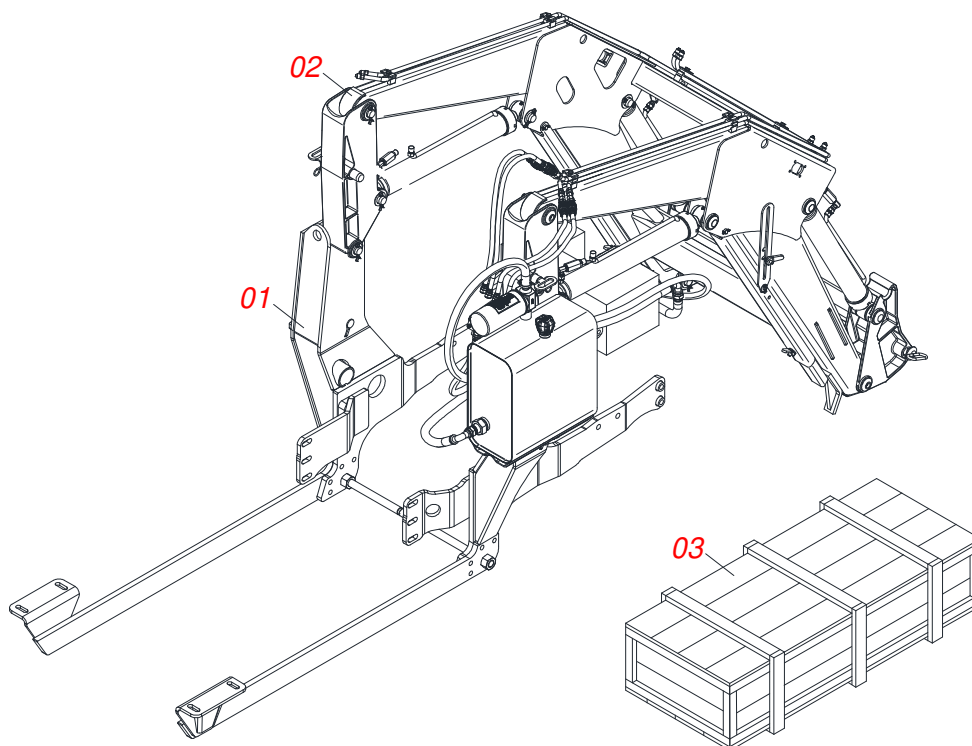
Marchesan S.A. reserves the right to improve and / or modify the technical features of its products, without obligation to do the same with those products already sold and without prior knowledge of the dealer or the consumer.



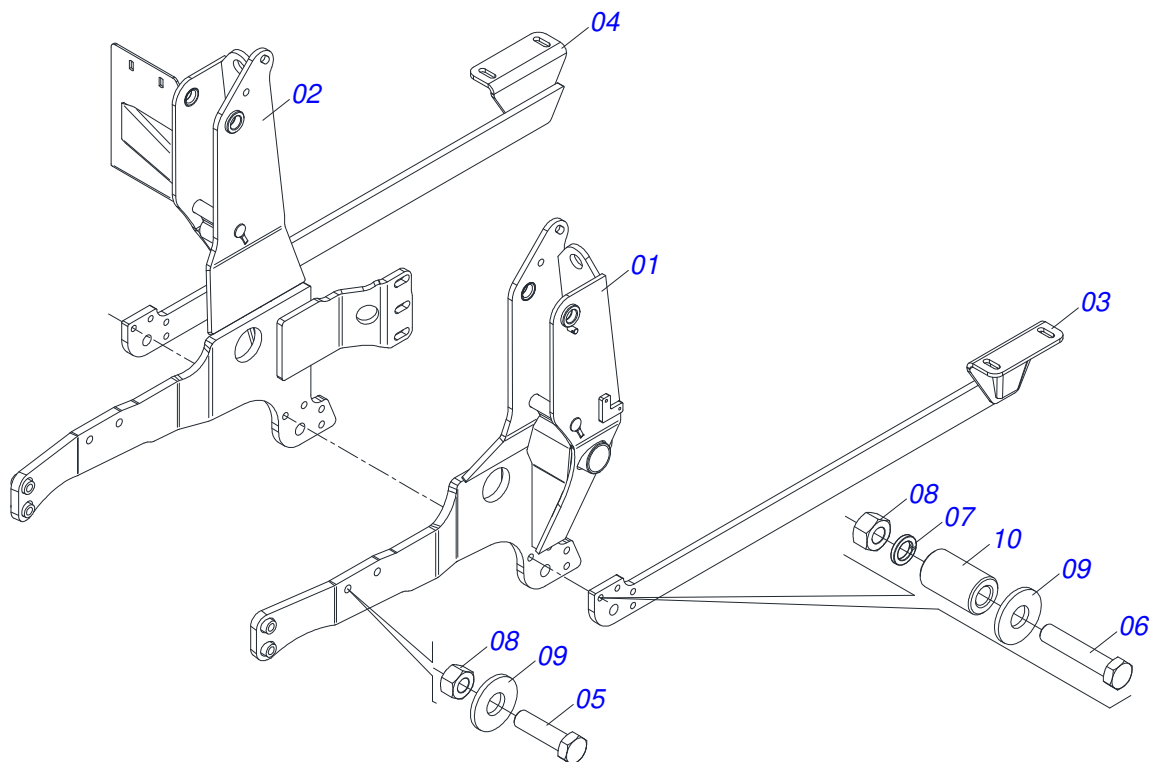
MARCHESAN

INDEX

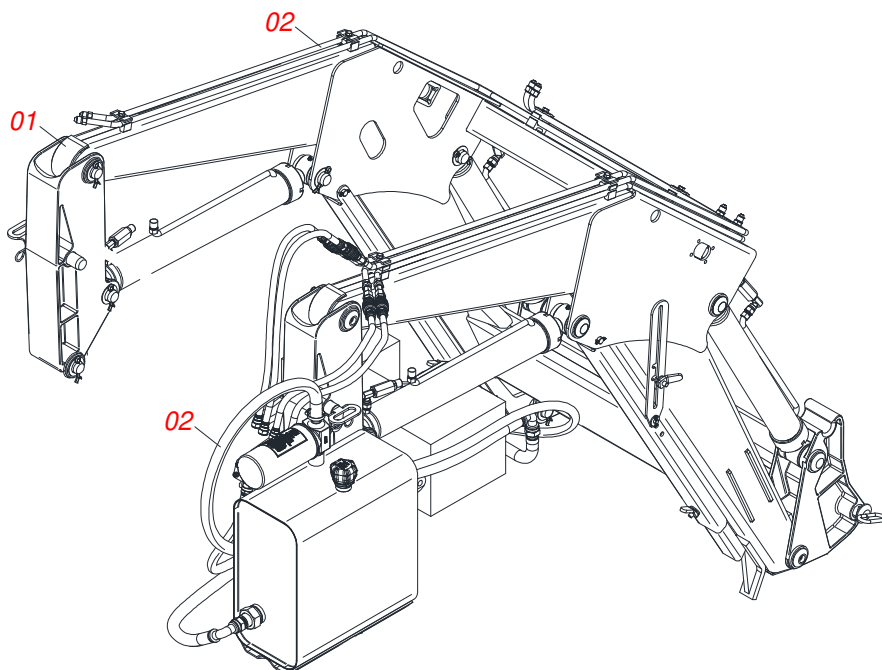
0106111455	PCA 800 NH TL 95E SHT CD SL	1
0521044600	FRAME ASSEMBLY WITH REAR BAR	2
0909095938	ASSY MOBILE SUPPORT 800	3
0909095939	MOBILE SUPPORT ASSY	4
0909095940	MOBILE SUPPORT HYDRAULIC CIRCUIT	5
0521020676	BOX WITH COMPONENTS	6
0511031392	PACKAGED PARTS	7
0511057974	44,45 X 85,72 X 870 X 593 HYDRAULIC CYLINDER	8
0511057973	HIDRAULIC CYLINDER 44,45 X 76,20 X 820 X 551	9
0511057772	SECURITY VALVE ASSY	10
0501053834	MALE QUICK COUPLER WITH CAP - 1/2 NPT	11
0501053835	FEMALE QUICK COUPLER	12
0501047446	STARTER COMPLETE CONTROL	13
0501059952	DOBLE COMMAND 1/2 HIDROV/DANFOSS ASSY	14
0521044522	40L PUMP WITH TUBE	15
0501047807	OIL RESERVOIR ASSY	16
0501041108	RETURNING FILTER ASSY	17
0511044960	BATTERY BOX	18
0501041849	ASSY 1.1/4 NC X 910 ROD	19
0501042819	1.1/4"NC X 33.46" ROD ASSY	20



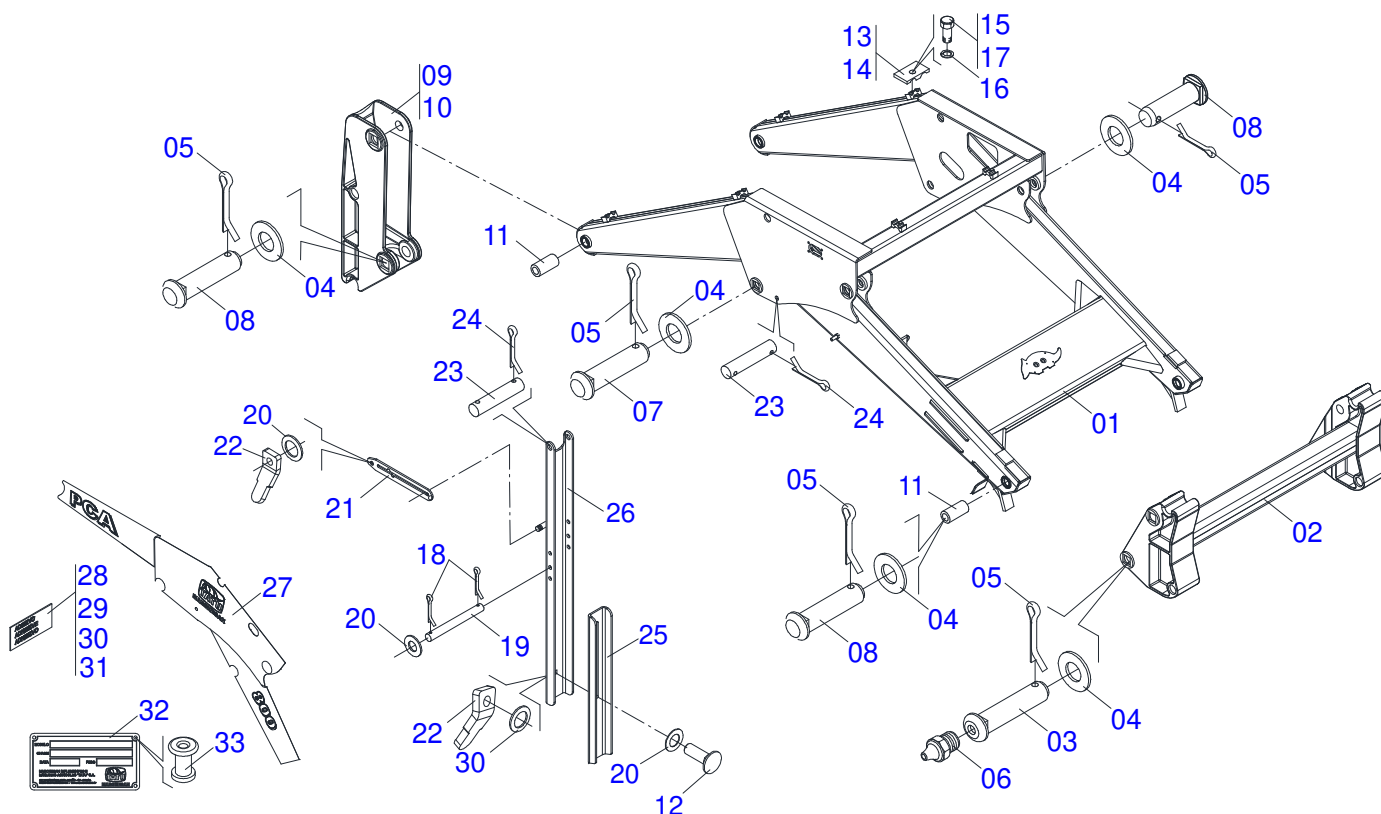
Item	Code	Description	See page	QT
001	0521044600	FRAME ASSEMBLY WITH REAR BAR	2	01
002	0511043271	FULL MOBILE SUPPORT		01
003	0521020676	BOX WITH COMPONENTS	6	01



Item	Code	Description	See page	QT
01	0521064945	LEFT CHASSIS		01
02	0521065082	RIGHT CHASSIS SHT		01
03	0521064941	REAR BAR RIGHT FRAME		01
04	0521064940	LEFT REAR BAR FRAME		01
05	0503011084	3/4" X 5" BOLT		04
06	0501010500	3/4"X3"BOLT		02
07	0503010023	3/4" SPRING WASHER		04
08	0503010014	3/4" NUT		06
09	0501010322	FLAT WASHER		06
10	0581015170	SLEEVE		04



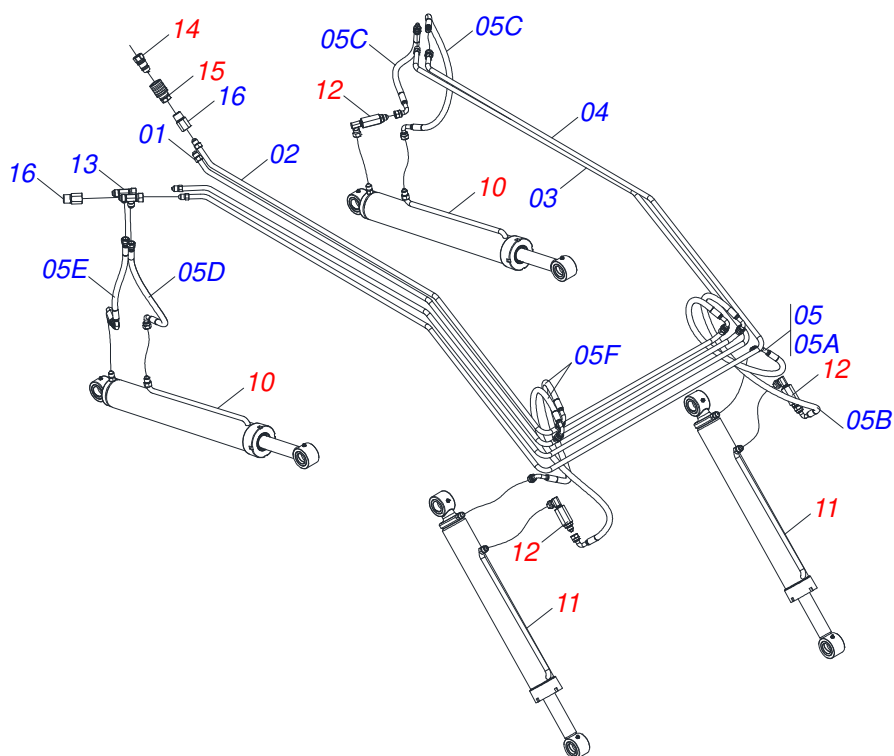
Item	Code	Description	See page	QT
01	0909095939	MOBILE SUPPORT ASSY	4	01
02	0909095940	MOBILE SUPPORT HYDRAULIC CIRCUIT	5	01



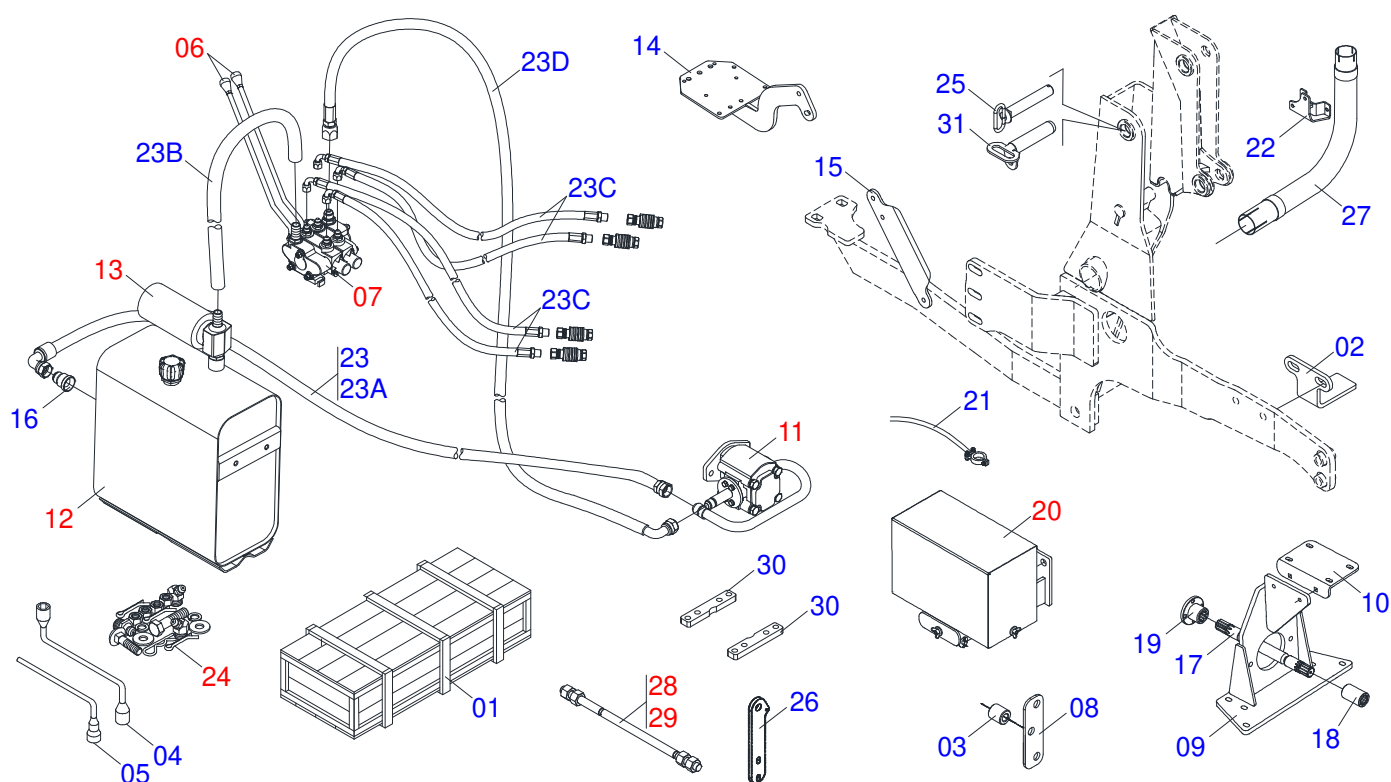
Item	Code	Description	See page	QT
01	0501069938	MOBILE SUPPORT		01
02	0501069939	PIVOT SUPPORT		01
03	0521012870	1.46" X 6.18" PIVOT SHAFT		02
04	0511019685	FLAT WASHER		01
05	0503010534	3/8 X 2-1/2 COTTERPIN		02
06	0503010002	1800 GREASE FITTING		04
07	0521012868	1.4" X 5" PIVOT SHAFT		02
08	0521012869	COUPLING SHAFT		02
09	0502012472	MOBILE TOWER		01
10	0502012473	LEFT MOBILE TOWER		01
11	0521011903	1.48" X 1.77" X 3.93" SLEEVE INTER		04
12	0503014378	1/2" X 1-1/2" BOLT		02
13	0531011180	UPPER BODY CLIP		02
14	0502010477	HOSE CLAMP		08
15	0503011102	BOLT 7/16 UNC X 1.1/4 C S G.5 ZN		02
16	0503010180	7/16" SPRING WASHER		02
17	0503012555	SCREW 7/16 UNC X 2 CS RT G.7 ZN		04
18	0503010071	3/16" X 1" COTTERPIN		04
19	0521012823	COUPLING SHAFT		02
20	0511017302	FLAT WASHER		08
21	0511019634	CONTROL LOCK		02
22	0561016329	LATCH HOLDER REST PCA		04
23	0511013598	3/4" X 4.7" COUPLING SHAFT		02
24	0503010131	3/16" X 1-1/2" COTTERPIN		01
25	0561016619	COMPLEMENTON REST		02
26	0561016401	PLOUGH SUPPORT BODY		02
27	0503062216	ADHESIVE LABEL SET		01
28	0503031087	ADHESIVE LABEL		01
29	0503031428	READ MANUAL DECAL		01
30	0503031827	LUBRICATE AND RETIGHTEN DAILY DECAL		01
31	0503034078	LIFTING POINTS DECAL		03



Item	Code	Description	See page	QT
32	0503034003	SERIAL NUMBER TAG 61 X 118		01
33	0503010001	3.2 X 5.5 RIVET		04



Item	Code	Description	See page	QT
01	0501069857	RIGHT RIGHT OIL TUBE		01
02	0501069858	LH RIGHT OIL TUBE		01
03	0521061821	OUTER DISTRIBUTOR TUBE OIL		01
04	0521061820	INNER DISTRIBUTOR TUBE OIL		01
05	0501053238	HOSE ASSY		01
05A	0501080688	3/8" X 25" TC-TC 90G HOSE		01
05B	0501080777	LH 3/8" X 25.9" TC-TC HOSE		01
05C	0501080745	3/8" X 25" TC-TC HOSE ASSY		02
05D	0501080105	TR-TR HOSE ASSY		01
05E	0501080766	3/8" X 27.56" TC-TC HOSE		01
05F	0501080150	HOSE ASSY		02
10	0511057974	44,45 X 85,72 X 870 X 593 HYDRAULIC CYLINDER	8	02
11	0511057973	HIDRAULIC CYLINDER 44,45 X 76,20 X 820 X 551	9	02
12	0511057772	SECURITY VALVE ASSY	10	04
13	0503011968	3/4" 8R6X-S T ADAPTER WITH SWIVEL NUT		02
14	0501053834	MALE QUICK COUPLER WITH CAP - 1/2 NPT	11	02
15	0501053835	FEMALE QUICK COUPLER	12	02
16	0511019876	1/2" NIPPLE		04



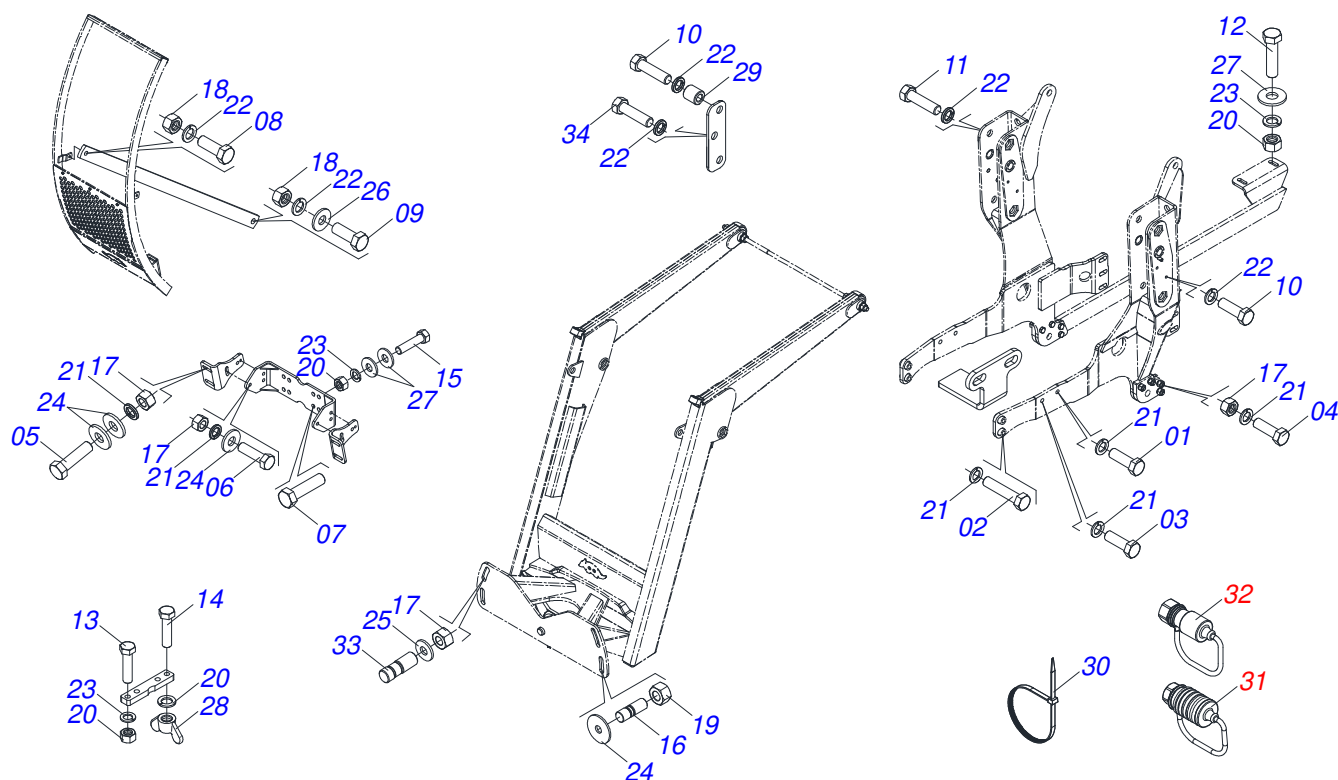
Item	Code	Description	See page	QT
01	0501100504	BOX		01
02	0571014616	BEATER		02
03	0571014617	GLOVE 22.23X38.10X43		06
04	0501068213	5/8" WRENCH DOUBLE		01
05	0511010153	2-5/16" FIXED WRENCH		01
06	0501047446	STARTER COMPLETE CONTROL	13	02
07	0501059952	DOBLE COMMAND 1/2 HIDROV/DANFOSS ASSY	14	01
08	0571014582	SPACER		02
09	0521065185	PUMP SUPPORT		01
10	0571016976	FILTER SUPPORT		01
11	0521044522	40L PUMP WITH TUBE	15	01
12	0501047807	OIL RESERVOIR ASSY	16	01
13	0501041108	RETURNING FILTER ASSY	17	01
14	0521064944	SUPPORT COMMAND PCA 800 NH TL 95E S414		01
15	0571016147	COMMAND SUPPORT FIXER PCA 800 NHTL 95E S414		01
16	0571015318	1.5/16UN NIPPLE		01
17	0501068905	320 X 1.1/8 AXLE		01
18	0503030838	1-1/8" X 2.4" SLEEVE		01
19	0503050064	FLANGE COUPLING		01
20	0511044960	BATTERY BOX	18	01
21	0503015048	BATTERY CABLE		01
22	0521065454	FASTENER ASSY PCA NH TL 75/85/95E		01
23	0511055787	HOSES GAME		01
23A	0501081939	HOSE 1 X 1800 TR-TC		01
23B	0501018430	1" X 35.4" TC-TM HOSE ASSY		01
23C	0501080796	1/2" X 1400 TC-TM HOSE		04
23D	0501080492	HOSE 3/4 X 2100 TR-TC		01
24	0511031392	PACKAGED PARTS	7	01
25	0521066515	37,20 X 240 ARTICULATION SHAFT WITH HANDLE		02
26	0581014400	MOBILE STAND FIXER		02
27	0503062302	EXTENSION		01



BOX WITH COMPONENTS

0521020676

Item	Code	Description	See page	QT
28	0501041849	ASSY 1.1/4 NC X 910 ROD	19	01
29	0501042819	1.1/4"NC X 33.46" ROD ASSY	20	01
30	0581012445	CABIN FRAME SHOE FIXER		02
31	0521061681	SUPPORT FIXER AXLE		02



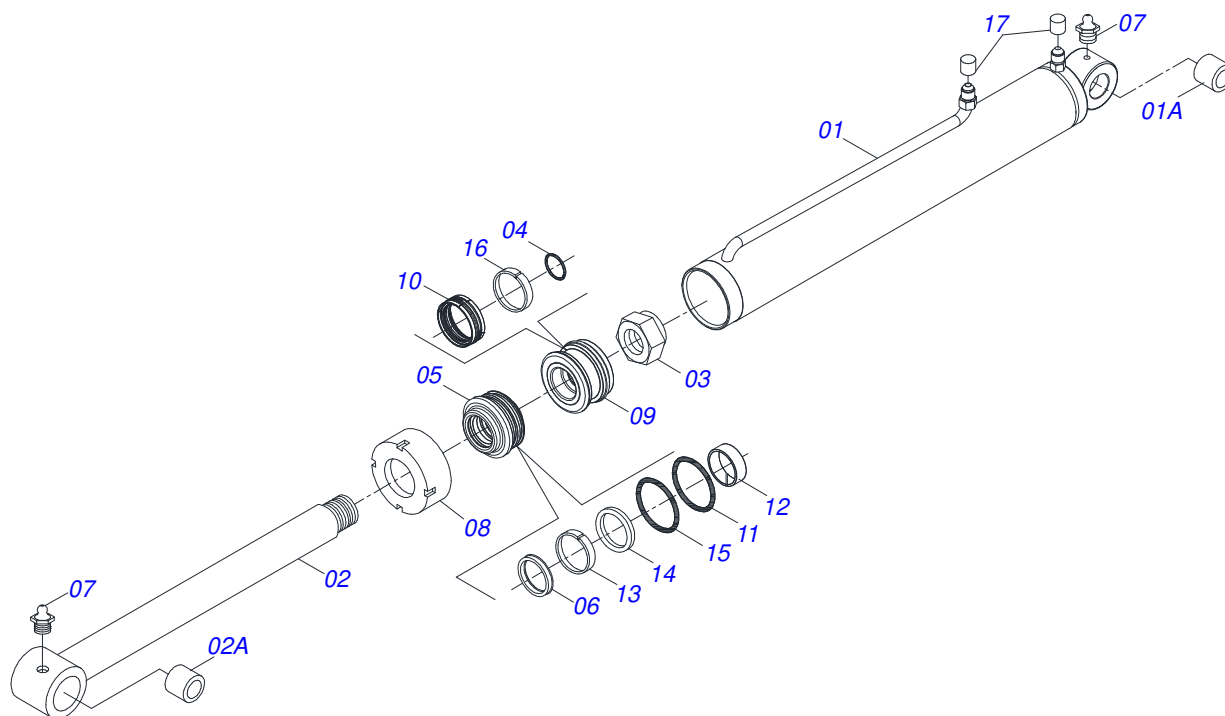
Item	Code	Description	See page	QT
01	0503013112	M20 X 2,5 X 70 BOLT		04
02	0503013104	M20 X 2,5 X 80 BOLT		04
03	0503013103	M20 X 2,5 X 90 BOLT		02
04	0503013090	M20 X 2,5 X 100 BOLT		04
05	0501010216	3/4" X 4-1/2" BOLT		02
06	0501010500	3/4"X3"BOLT		12
07	0503016827	M16 X 1,5 X 50 C S F 12.9 ZN BOLT		02
08	0503010905	1/2" X 2-1/4" BOLT		02
09	0501010063	1/2" X 1-1/2" BOLT		04
10	0503014440	SCREW M10 X 1.25 X 30 CCSI		04
11	0503015112	M10 X 1,5 X 30 BOLT		02
12	0503010849	3/8" X 1-1/2" BOLT		03
13	0503011257	M 8 X 1,25 X 30 BOLT		04
14	0501010942	3/8" X 1-1/4" BOLT		02
15	0503011334	BOLT 3/8 UNC X 3/4 CS G.5 ZN		02
16	0571016159	PRISONER M18X1.5X290		04
17	0503010014	3/4" NUT		16
18	0503010060	1/2" NUT		06
19	0503015084	M18 X 1,50 LOCKNUT		08
20	0503010026	3/8" NUT		05
21	0503010023	3/4" SPRING WASHER		22
22	0503010019	1/2" SPRING WASHER		13
23	0503010025	3/8" SPRING WASHER		05
24	0501010322	FLAT WASHER		14
25	0501019903	FLAT WASHER 16,50 X 38 X 0,50 ZN		02
26	0511017302	FLAT WASHER		06
27	0501010984	FLAT WASHER		12
28	0503010209	3/8" UNC BUTTERFLY NUT		01
29	0521012542	SLEEVE		02
30	0503016022	T-120 L CRAMP NYLON		04
31	0501053835	FEMALE QUICK COUPLER	12	02



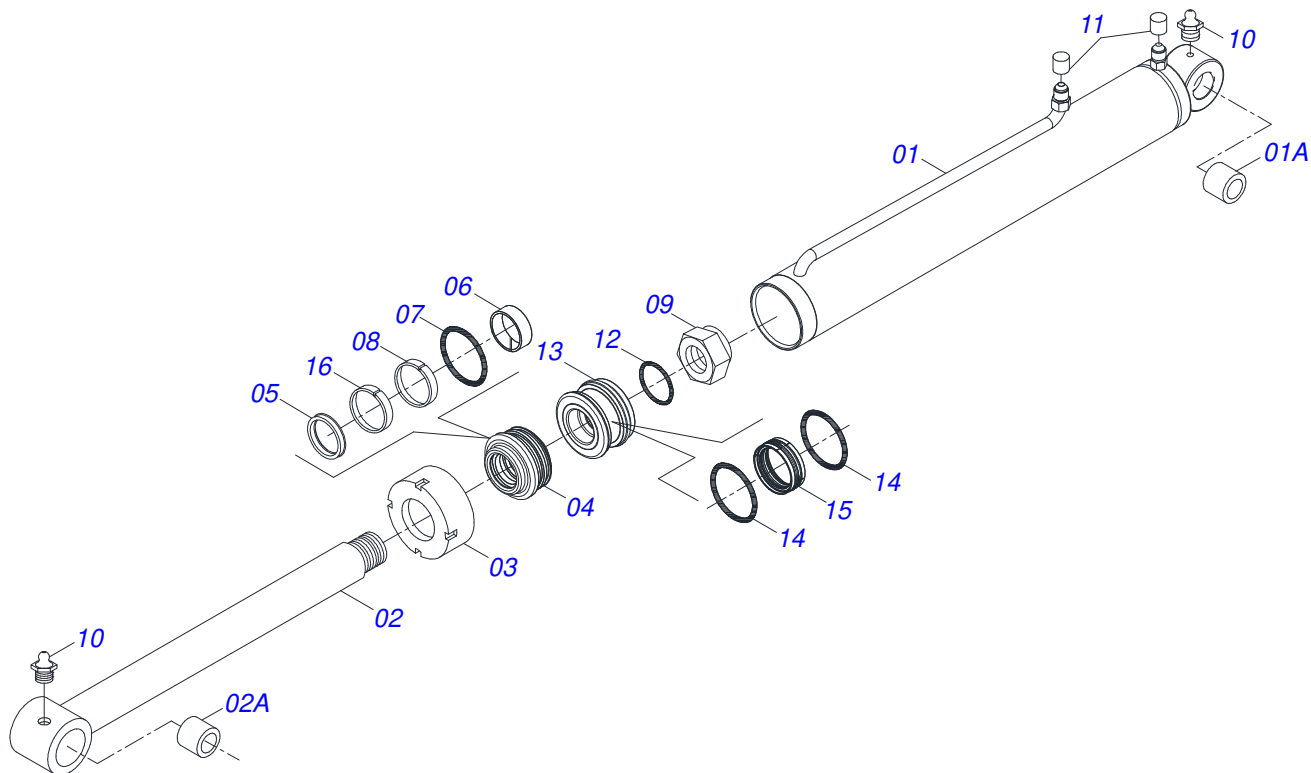
PACKAGED PARTS

0511031392

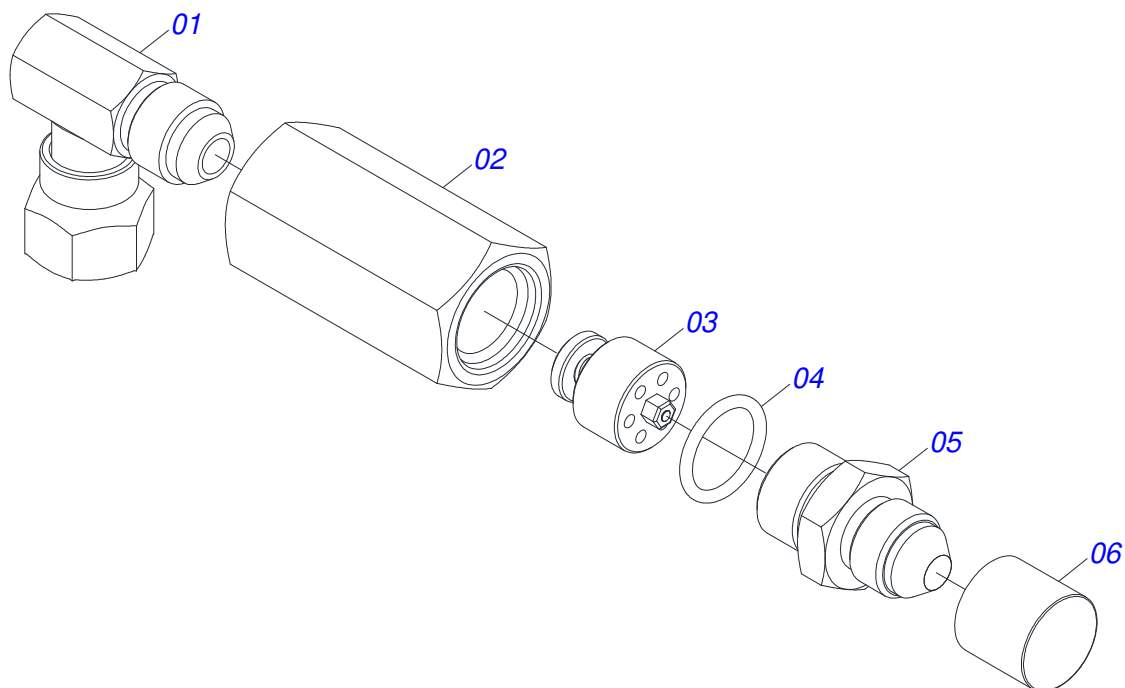
Item	Code	Description	See page	QT
32	0501053834	MALE QUICK COUPLER WITH CAP - 1/2 NPT	11	02
33	0581012087	M16 PRISONER		01
34	0503010395	1/2" X 1-1/4" BOLT		04



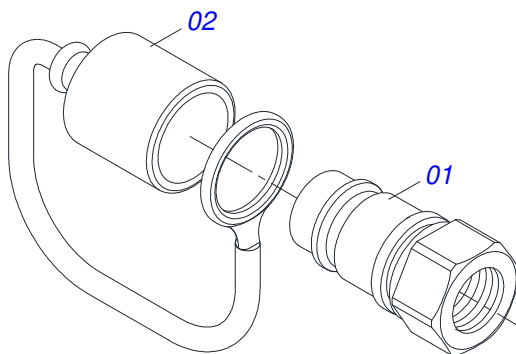
Item	Code	Description	See page	QT
01	0511069198	BODY SHIRT WITH MAKING		01
01A	0521010514	38,1 X 52,9 X 50 SLEEVE INTER		02
02	0521066404	44,45 X 772 TURNBUCKLE		01
03	0503010063	1" SELF-ALIGNING NUT		01
04	0503010042	2-214 N 3006-9B O'RING		01
05	0571019711	RING SUPPORT		01
06	0503010761	D-1750 SCRAPER RING		01
07	0503010002	1800 GREASE FITTING		02
08	0571019709	DETACHABLE COVER		01
09	0571019710	1.7" X 3.4" PISTON		01
10	0503017935	RING		01
11	0503017936	RING		01
12	0503017938	RING GUIDE		01
13	0503017937	GASKET		01
14	0503017940	8-337 BACK-UP RING		02
15	0503017939	2-337 N 3006-9B O' RING		02
16	0503018144	RING		01
17	0503030385	CYLINDER PLUG N-002		02
18	0511032784	HYDRAULIC CYLINDER REPAIR KIT		01



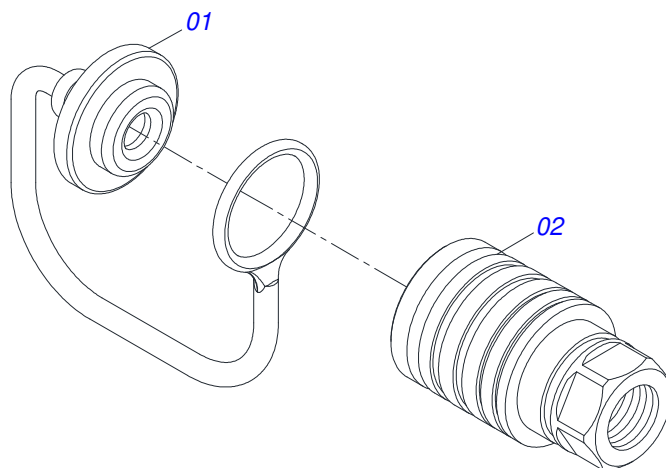
Item	Code	Description	See page	QT
01	0521066381	CYLINDER CASE 76,20 X 723		01
01A	0501110275	BUSHING COUPLING 75 X 38,1 X 50		02
02	0511065578	1.7" X 28.18" TURNBUCLE		01
03	0502012264	RING SUPPORT 1.75" X 3"		01
04	0503010761	D-1750 SCRAPER RING		01
05	0503010949	W2-2000-500 PK RING G.E		01
06	0503010343	2-334 N 3006-9B O'RING		01
07	0503011059	8-334 BACK-UP RING		01
08	0503010063	1" SELF-ALIGNING NUT		01
09	0503010002	1800 GREASE FITTING		02
10	0503030385	CYLINDER PLUG N-002		02
11	0503010042	2-214 N 3006-9B O'RING		01
12	0581010304	PISTON		01
13	0503018138	RING BS		02
14	0503018140	RING GUIDE		01
15	0503017937	GASKET		01
16	0502011899	MOBILE COVER		01
17	0511032725	HYDRAULIC CYLINDER REPAIR KIT		



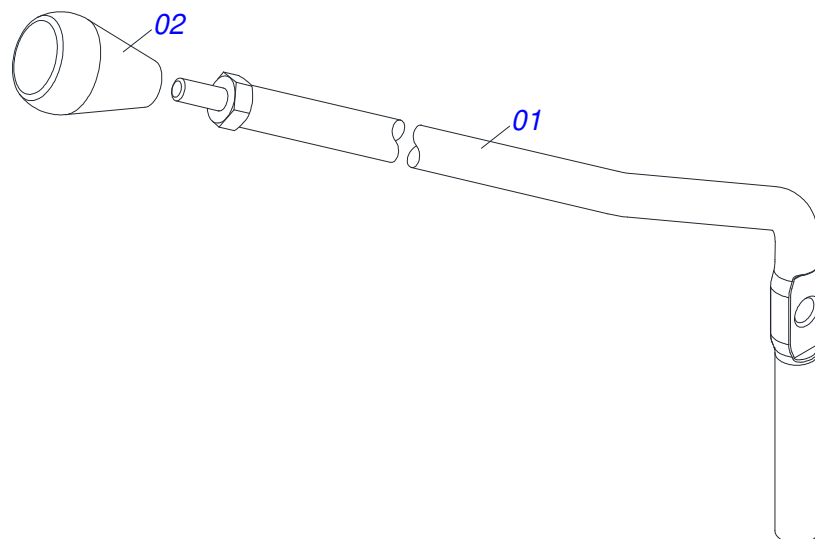
Item	Code	Description	See page	QT
01	0503018034	MALE KNEE JIC		01
02	0581014055	ADAPTER		01
03	0503016854	VALVE ASSY		01
04	0503010045	O'RING		01
05	0581014054	BSP 1/2" NIPPLE		01
06	0503030385	CYLINDER PLUG N-002		01



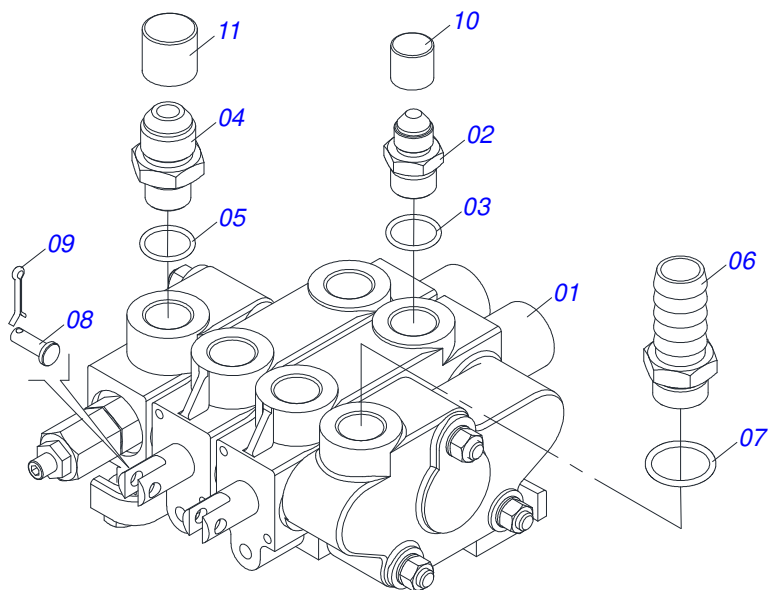
Item	Code	Description	See page	QT
01	0503011627	MALE QUICK COUPLER AGR 1/2 NPT		01
02	0503011882	MALE QUICK COUPLER CAP		01



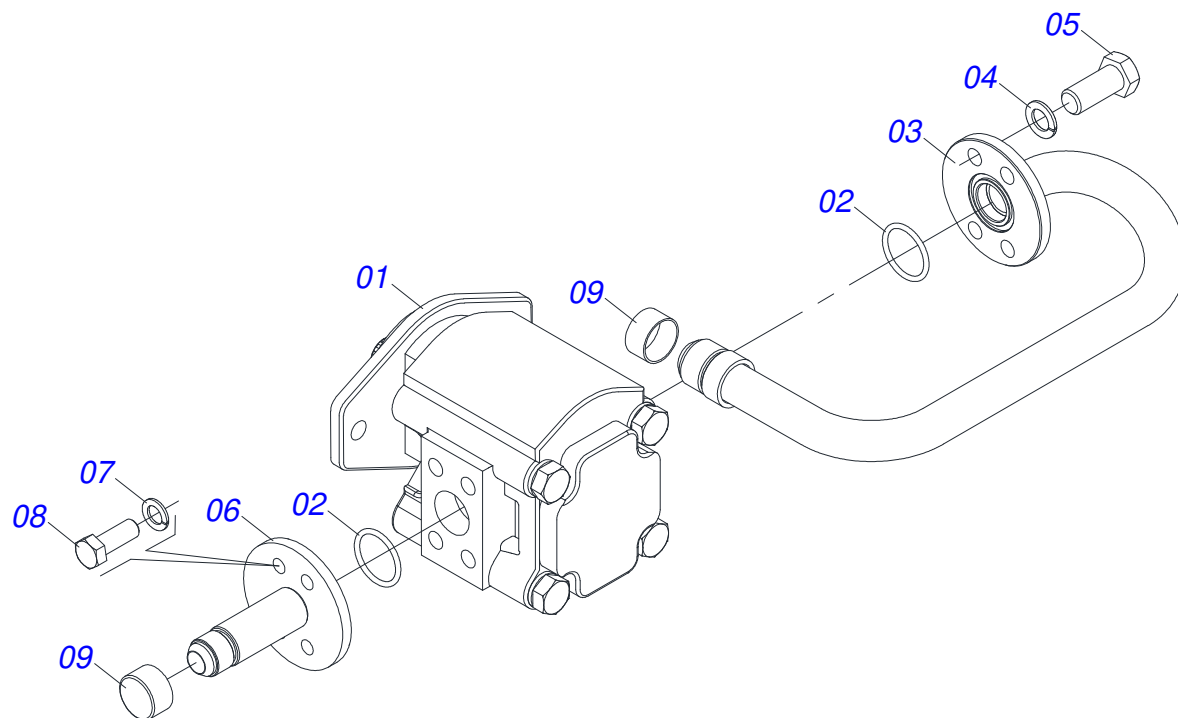
Item	Code	Description	See page	QT
01	0503011883	QUICK CONNECTION COVER		01
02	0503011628	FEMALE QUICK COUPLER		01



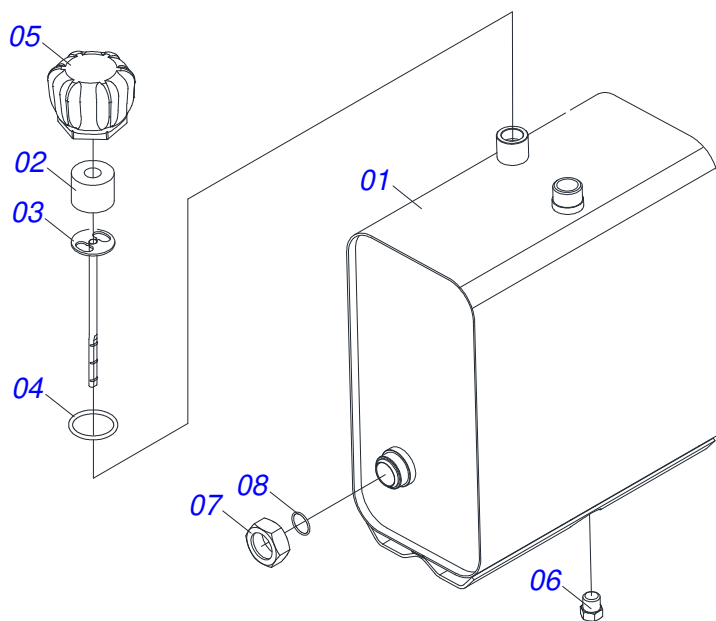
Item	Code	Description	See page	QT
01	0501047446	STARTER COMPLETE CONTROL	13	02
02	0503030878	LEVER CRANK		02



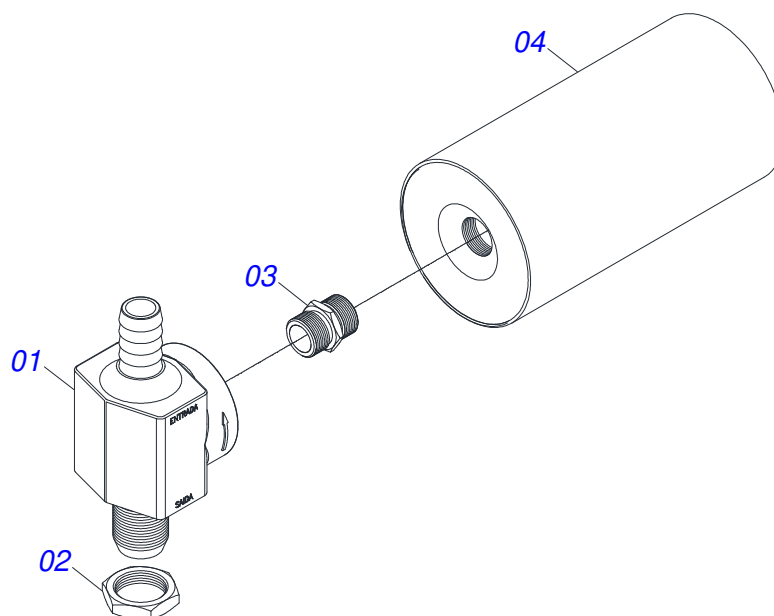
Item	Code	Description	See page	QT
01	0503060016	1/2"DOUBLE COMMAND		01
02	0501010590	NIPPLE		04
03	0503010045	O'RING		04
04	0501010589	R. 1.1/16UN SEXT 1.1/4 X 52 NIPPLE		01
05	0503011109	2-119 N 3006-9B O'RING		01
06	0501010591	HOSE NIPPLE		01
07	0503011109	2-119 N 3006-9B O'RING		01
08	0521010533	0.3" X 1" COUPLING SHAFT		02
09	0503010140	1/8" X 3/4" COTTERPIN		02
10	0503030387	PLUG		04
11	0503030388	PLUG N-005		01



Item	Code	Description	See page	QT
01	0503060153	40L 1/2" PUMP		01
02	0503010173	2-220 N 3006-9B O'RING		02
03	0521065083	PUMP SUCTION TUBE		01
04	0503010180	7/16" SPRING WASHER		04
05	0503010355	7/16" X 1" BOLT		04
06	0501064151	PUMP PRESSURE TUBE		01
07	0503010025	3/8" SPRING WASHER		04
08	0503011087	3/8" X 1" BOLT		04
09	0503030388	PLUG N-005		01

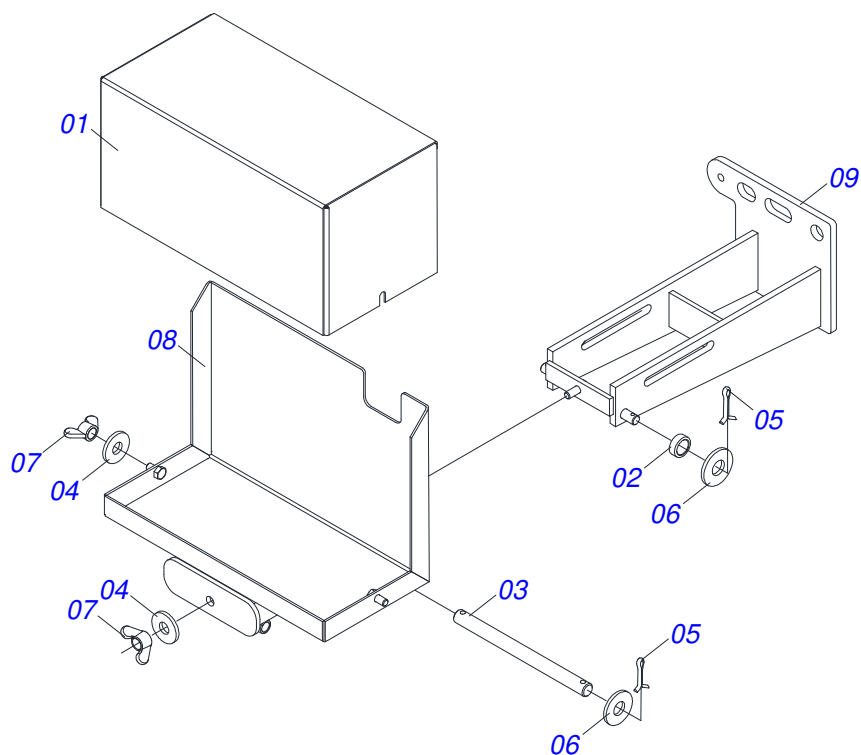


Item	Code	Description	See page	QT
01	0501068880	OIL RESERVOIR		01
02	0503030044	FILTERING ELEMENT		01
03	0501060975	OIL GAGE		01
04	0503010185	2-221 N 3006-9B O'RING		01
05	0502020472	FRONTAL COVER		01
06	0503031604	1/2" BSP PLUG		01
07	0501016309	2" 1X 2.5/16" NUT		01
08	0503010046	2-216 N 3006-9B O'RING		01

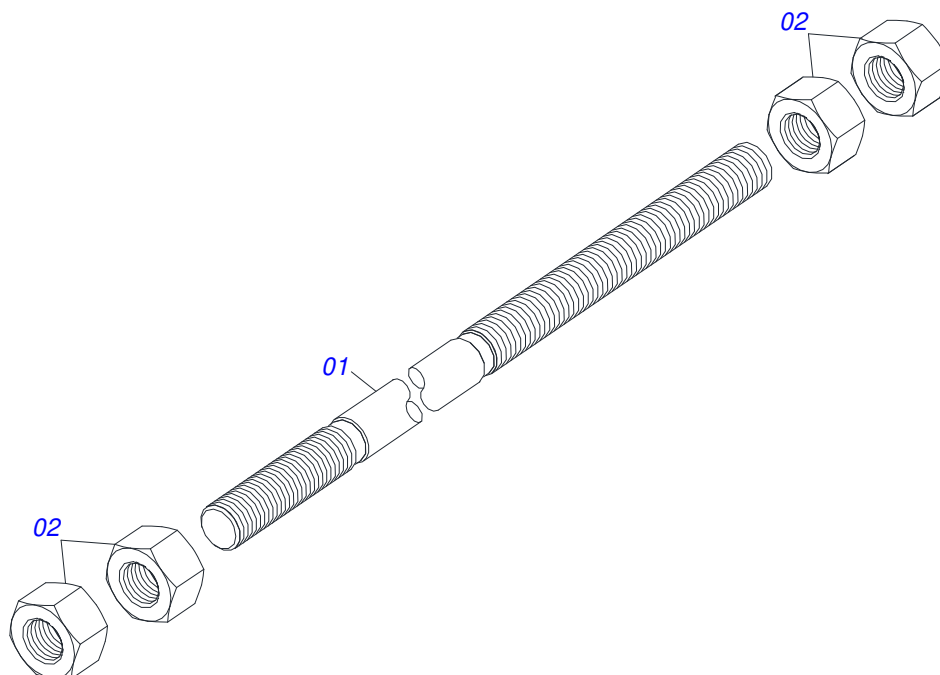


Item	Code	Description	See page	QT
01	0502050002	RETURNING FILTER HEAD		01
02	0501010594	1" NUT		01
03	0501010595	1" NF NIPPLE		01
04	0503010183	RETURNING FILTER		01

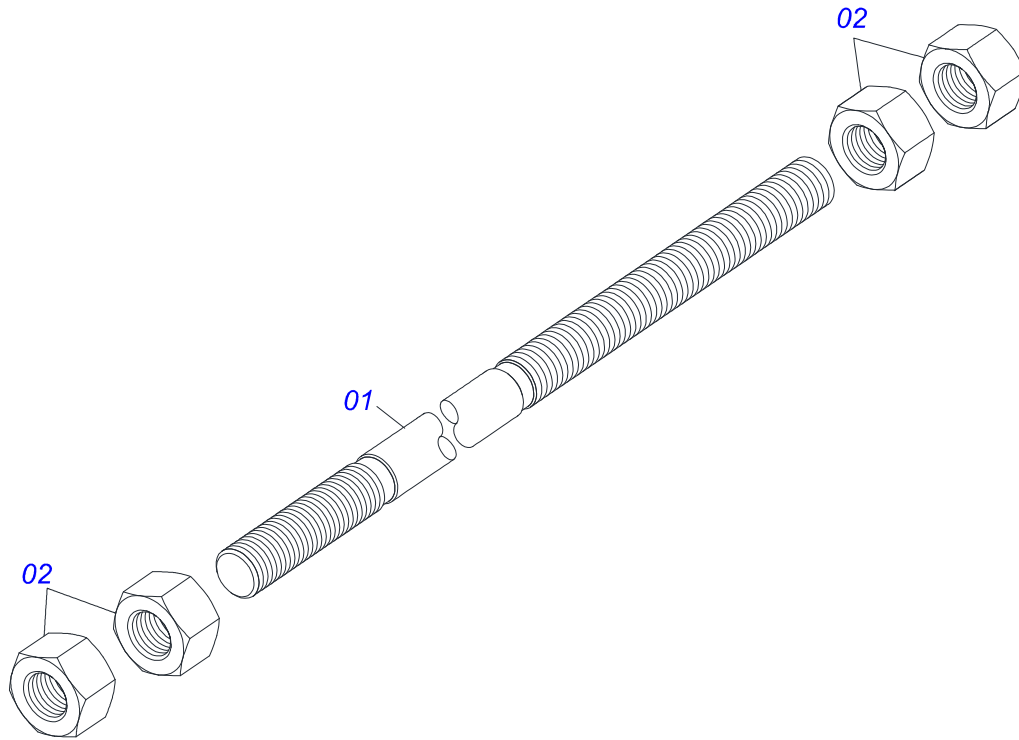
BATTERY BOX



Item	Code	Description	See page	QT
01	0511067492	BATTERY BOX COVER		01
02	0551010490	SLEEVE		02
03	0551010491	BATTERY BOX AXLE		01
04	0501010984	FLAT WASHER		03
05	0503010297	5/32" X 1.1/4" COTTER PIN		04
06	0511017302	FLAT WASHER		04
07	0503010209	3/8" UNC BUTTERFLY NUT		03
08	0511067447	BATTERY FIXER MOBILE		01
09	0511067446	BATTERY FIXER		01



Item	Code	Description	See page	QT
01	0501014914	1.1/4" X 910 ROD		01
02	0501010087	1.1/4" NUT		04



Item	Code	Description	See page	QT
01	0501018845	1.1/4" X 33.46" ROD		01
02	0501010087	1.1/4" NUT		04



MARCHESAN

Technical Publications | Elaboration and Revision

LUIZ CANDIDO

www.marchesan.com.br

