

**PCA - AGRICULTURAL FRONT LOADER**

**PCA 600 MF 4265/4275/4283/4290 SHT CD LDA  
MPK**

**Code:** 0501093030

**Series:** S-0714

**Revision:** 00

**Date Revision:** JULHO/2021

# **PARTS CATALOGUE**



**MARCHESAN**



# PRODUCTS

Code	Description
0106111464	PCA 600 MF 4265/4275/4283/4290-4 SHTCD MPK

## ATTENTION: IMPORTANT

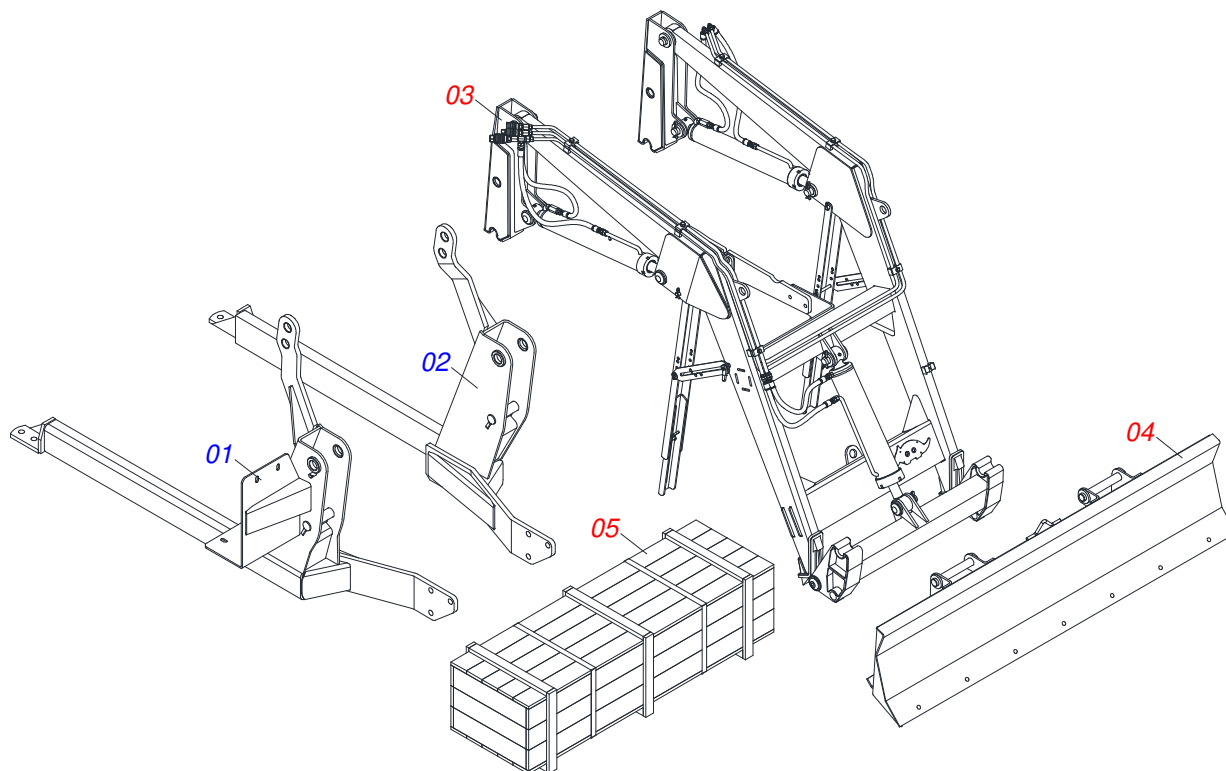
Marchesan S.A. reserves the right to improve and / or modify the technical features of its products, without obligation to do the same with those products already sold and without prior knowledge of the dealer or the consumer.



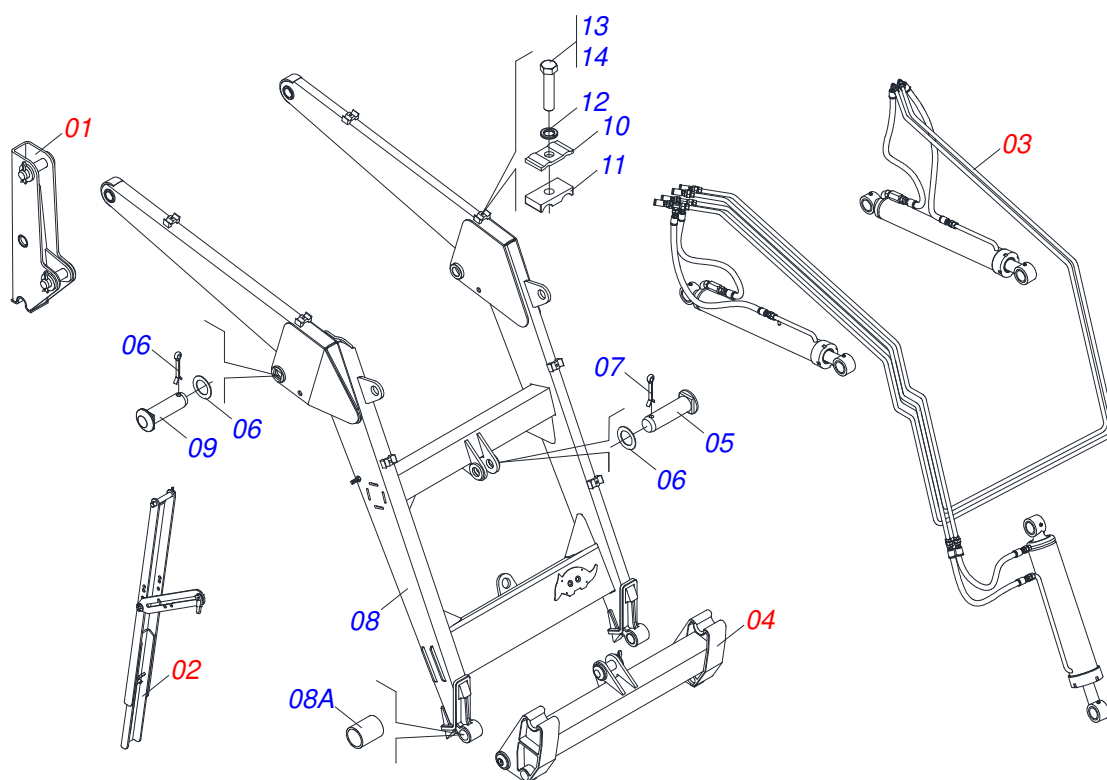
**MARCHESAN**

# INDEX

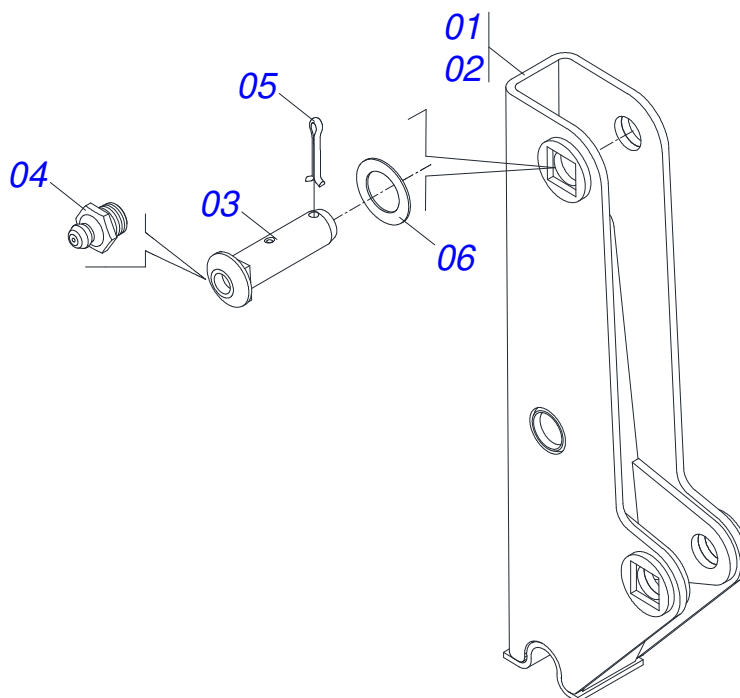
0106111464	PCA 600 MF 4265/4275/4283/4290-4 SHTCD MPK	.....	1
0511050044	FULL MOVABLE SUPPORT	.....	2
0909094823	MOBILE TOWER AND COMPONENTS	.....	3
0909092667	ADJUSTABLE REST OF MOVABLE SUPPORT	.....	4
0909094947	HYDRAULIC CIRCUIT OF THE MOBILE HOLDER	.....	5
0521050762	44,45 X 76,20 X 865 X 555 HYDRAULIC CYLINDER	.....	6
0511057915	44,45 X 101,60 X 702 X 738 HIDRAULIC CYLINDER	.....	7
0501053835	FEMALE QUICK COUPLER	.....	8
0909094826	ARTICULATOR SUPPORT AND COMPONENTS	.....	9
0511047849	LDA 2200 WITHOUT SUPPORT	.....	10
0521020766	BOX WITH COMPONENTS	.....	11
0501047575	OIL RESERVOIR ASSY	.....	12
0501059935	PUMP WITH SUCTION AND PRESSURE DUCTS	.....	13
0501041108	RETURNING FILTER ASSY	.....	14
0501059952	DOBLE COMMAND 1/2 HIDROV/DANFOSS ASSY	.....	15
0501048023	CONTROL VALVE	.....	16
0511031433	PACKAGED FISHES	.....	17
0511059116	SET OF HOSES - SHT	.....	18



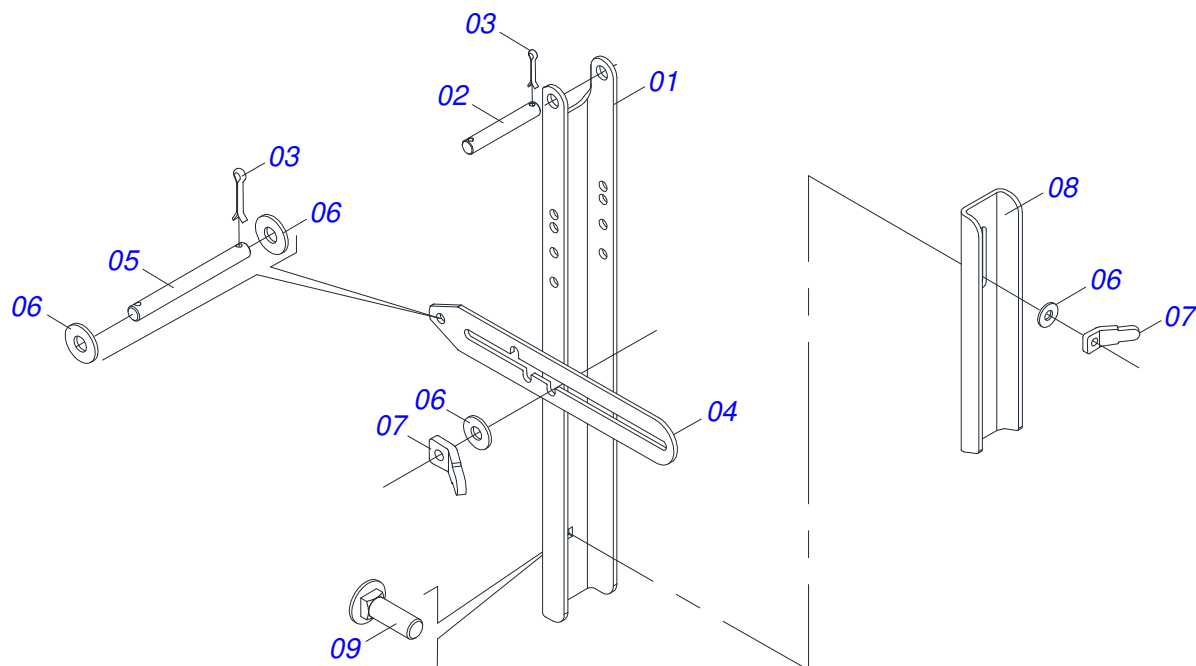
Item	Code	Description	See page	QT
001	0521061688	RIGHT FRAME - PCA SHT MF		01
002	0521061550	LEFT FRAME - PCA SHT MF		01
003	0511050044	FULL MOVABLE SUPPORT	2	01
004	0511047849	LDA 2200 WITHOUT SUPPORT	10	01
005	0521020766	BOX WITH COMPONENTS	11	01



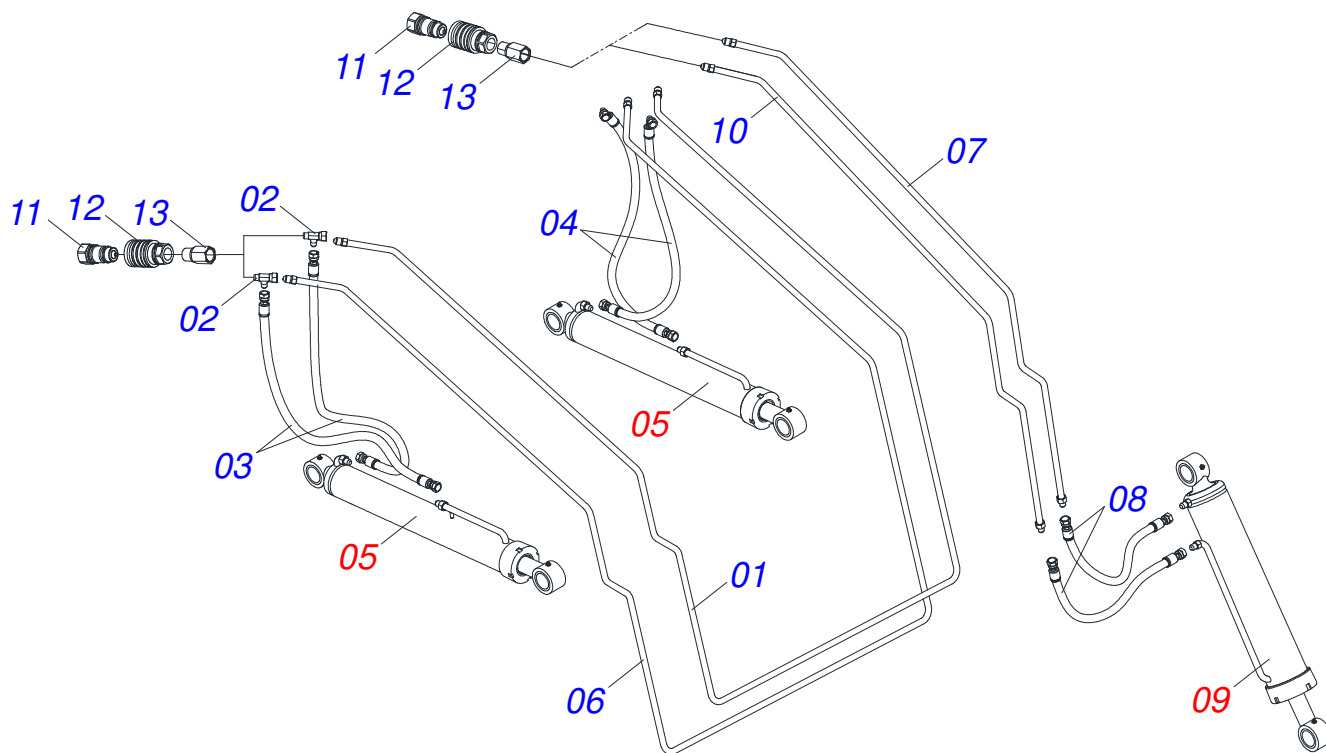
Item	Code	Description	See page	QT
01	0909094823	MOBILE TOWER AND COMPONENTS	3	01
02	0909092667	ADJUSTABLE REST OF MOVABLE SUPPORT	4	02
03	0909094947	HYDRAULIC CIRCUIT OF THE MOBILE HOLDER	5	01
04	0909094826	ARTICULATOR SUPPORT AND COMPONENTS	9	01
05	0511019521	1.5" X 1.4" PIVOT SHAFT		02
06	0511019685	FLAT WASHER		06
07	0503010534	3/8 X 2-1/2 COTTERPIN		06
08	0521061683	MOBILE SUPPORT - PCA MF-4275/4283		01
08A	0511019740	INTERNAL GLOVE 37.70 X 45.15 X 70		04
09	0521010904	1.5" X 1.4" PIVOT SHAFT		02
10	0502010477	HOSE CLAMP		06
11	0531011180	UPPER BODY CLIP		03
12	0503010180	7/16" SPRING WASHER		06
13	0503011102	BOLT 7/16 UNC X 1.1/4 C S G.5 ZN		03
14	0503012555	SCREW 7/16 UNC X 2 CS RT G.7 ZN		03



Item	Code	Description	See page	QT
01	0521061673	RIGHT MOBILE TOWER		01
02	0521061674	LEFT MOVEL TOWER		01
03	0511019519	1.5" X 1.4" PIVOT SHAFT		04
04	0503010002	1800 GREASE FITTING		04
05	0503010534	3/8 X 2-1/2 COTTERPIN		04
06	0511819685	FLAT WASHER		04

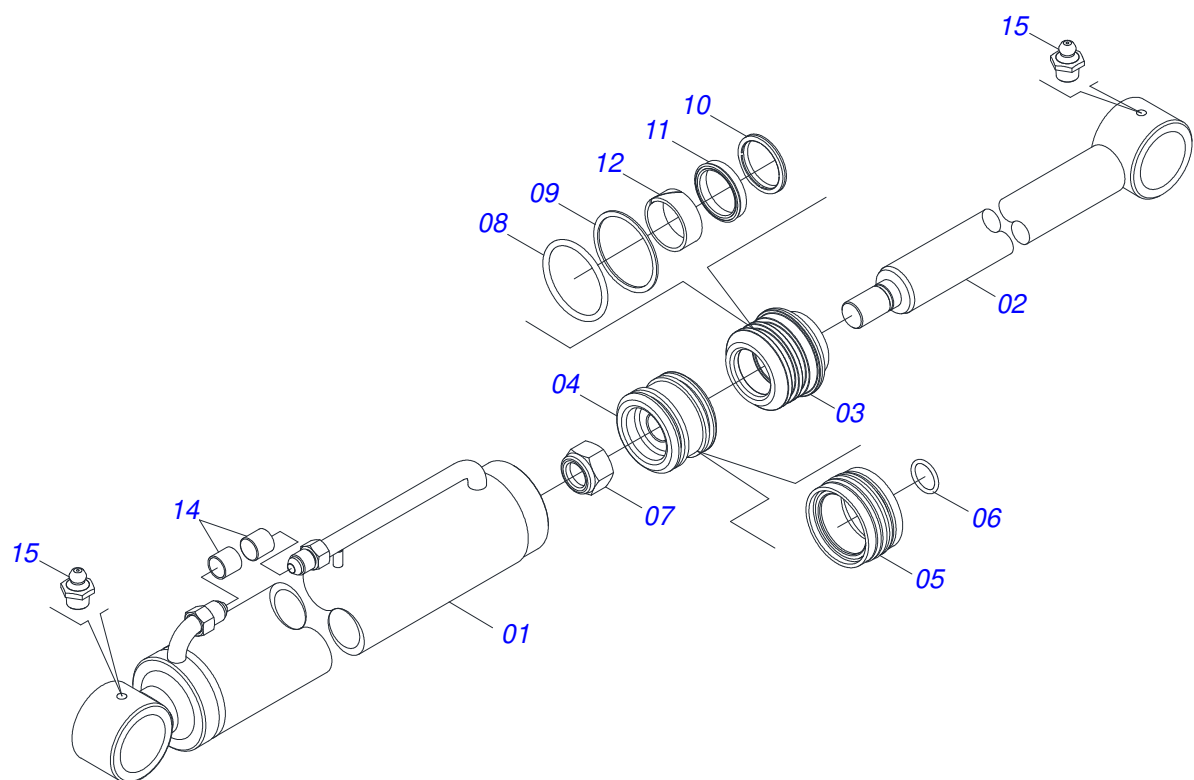


Item	Code	Description	See page	QT
01	0561016401	PLOUGH SUPPORT BODY	02	
02	0511013598	3/4" X 4.7" COUPLING SHAFT	02	
03	0503010071	3/16" X 1" COTTERPIN	08	
04	0511019634	CONTROL LOCK	02	
05	0521012823	COUPLING SHAFT	02	
06	0511017302	FLAT WASHER	08	
07	0561016329	LATCH HOLDER REST PCA	04	
08	0561016619	COMPLEMENTON REST	02	
09	0503014378	1/2" X 1-1/2" BOLT	02	

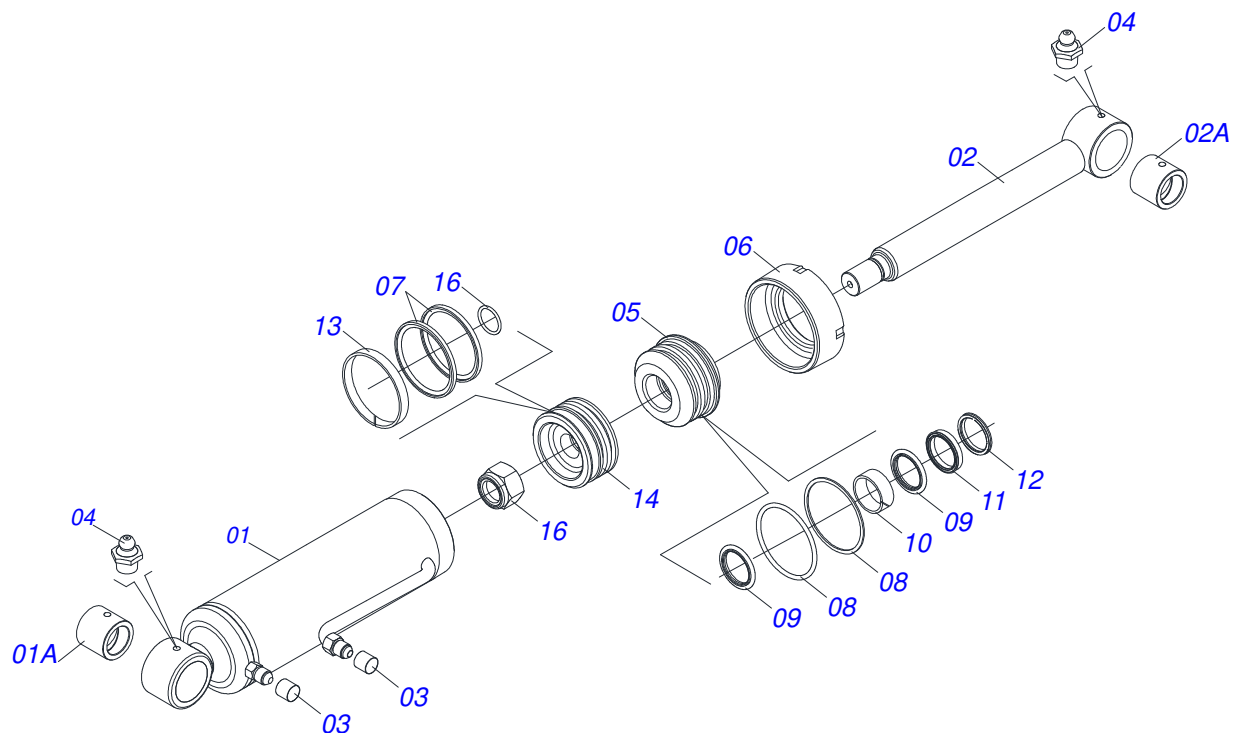


Item	Code	Description	See page	QT
01	0521061694	INTERNAL OIL DISTRIBUTOR - PCA 4275/4283		01
02	0503011968	3/4" 8R6X-S T ADAPTER WITH SWIVEL NUT		02
03	0501080105	TR-TR HOSE ASSY		02
04	0501080413	3/8" X 27" TR-TC HOSE		02
05	0521050762	44,45 X 76,20 X 865 X 555 HYDRAULIC CYLINDER	6	02
06	0521061695	EXTERNAL OIL DISTRIBUTOR - PCA 4275/4283		01
07	0521061696	INTERNAL TOP OIL DISTRIBUTOR - PCA 4275/4283		01
08	0501080635	3/8" X 19" TR-TR HOSE		02
09	0511057915	44,45 X 101,60 X 702 X 738 HIDRAULIC CYLINDER	7	01
10	0521062948	UPPER OUTER OIL DISTRIBUTOR		01
11	0501053834	MALE QUICK COUPLER WITH CAP - 1/2 NPT		02
12	0501053835	FEMALE QUICK COUPLER	8	02
13	0511019876	1/2" NIPPLE		04



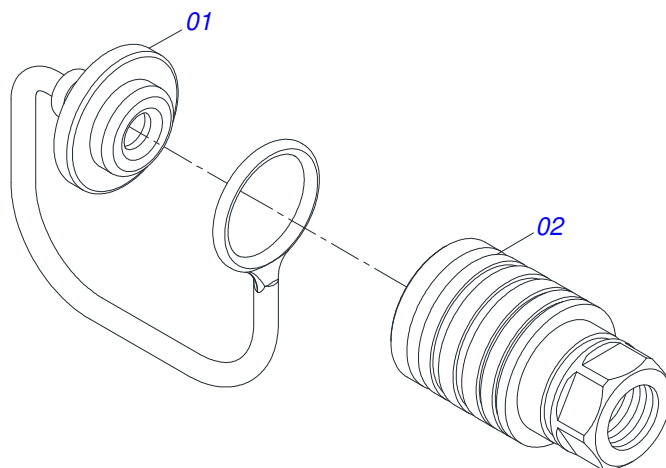


Item	Code	Description	See page	QT
01	0511071163	76,20 X 740 CYLINDER CASE		01
02	0521066424	AIR TURNBUCKLE		01
03	0581010301	RING SUPPORT		01
04	0581010304	PISTON		01
05	0503018136	ZW 007600260 AGEL RING		01
06	0503010042	2-214 N 3006-9B O'RING		01
07	0503010063	1" SELF-ALIGNING NUT		01
08	0503010343	2-334 N 3006-9B O'RING		02
09	0503011059	8-334 BACK-UP RING		02
10	0503010761	D-1750 SCRAPER RING		01
11	0503017937	GASKET		01
12	0503017938	RING GUIDE		01
13	0502011899	MOBILE COVER		01
14	0503030385	CYLINDER PLUG N-002		02
15	0503010002	1800 GREASE FITTING		02

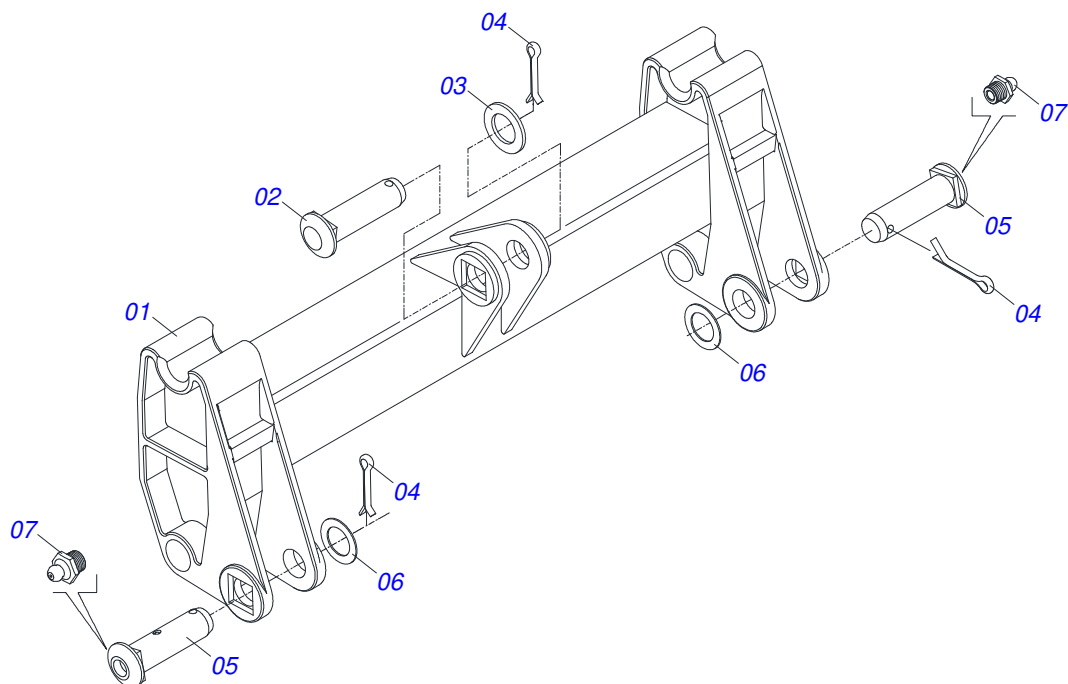


Item	Code	Description	See page	QT
01	0511066339	101,6 X 548 CYLINDER CASE - PCA 600		01
01A	0521010514	38,1 X 52,9 X 50 SLEEVE INTER		01
02	0521066430	44,45 X 630 EXTENDER		01
02A	0521010514	38,1 X 52,9 X 50 SLEEVE INTER		01
03	0503030385	CYLINDER PLUG N-002		02
04	0503010002	1800 GREASE FITTING		02
05	0581010302	RING OF SUPPORT		01
06	0502012822	101.60 END CAP		01
07	0503018158	OE 101605200211D-BR RING BS		02
08	0503011061	8-342 BACK-UP RING		02
09	0503010338	2-342 N 3006-9B O'RING		02
10	0503017938	RING GUIDE		01
11	0503017937	GASKET		01
12	0503010761	D-1750 SCRAPER RING		01
13	0503010994	W2-4000-500 PK RING G.E		01
14	0581010303	PISTON 4 - PCA 600		01
15	0503018029	2-217 O'RING		01
16	0503010817	1.1/4" SELF LOCKING NUT		01

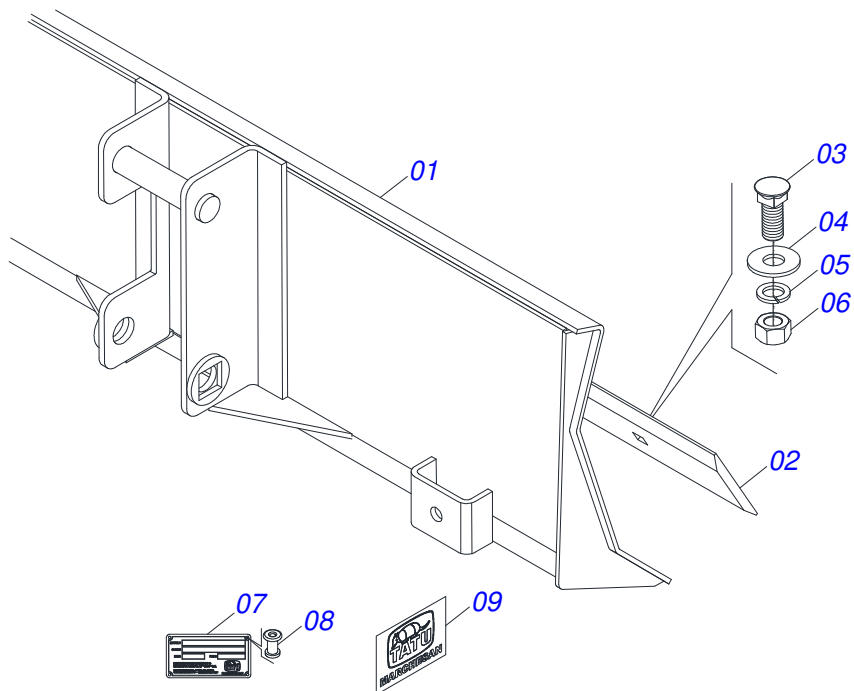
FEMALE QUICK COUPLER



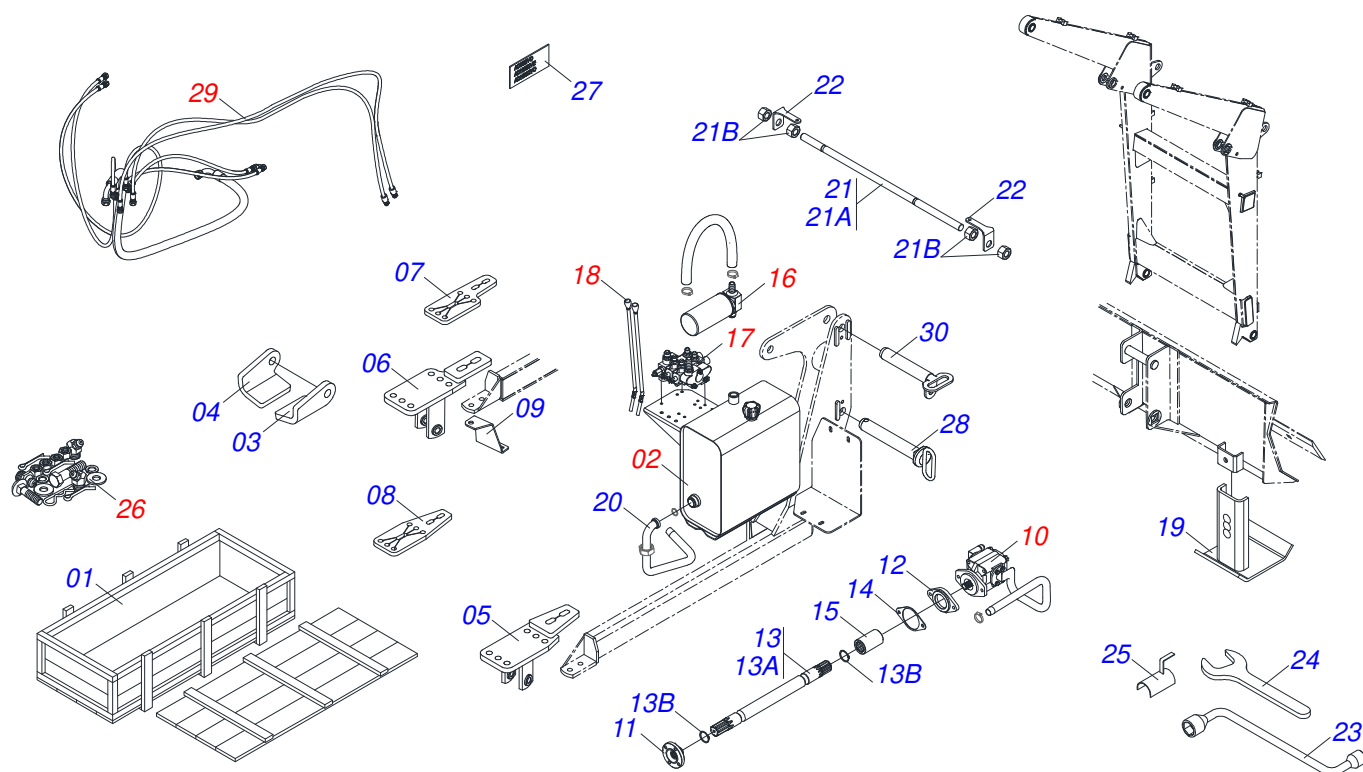
Item	Code	Description	See page	QT
01	0503011883	QUICK CONNECTION COVER		01
02	0503011628	FEMALE QUICK COUPLER		01



Item	Code	Description	See page	QT
01	0501069934	ARTÍCULOS SOPORTE PCA 600 AX 5.80-4		01
02	0521010904	1.5" X 1.4" PIVOT SHAFT		01
03	0501012916	FLAT WASHER 38,50 X 66 X 4,75 ZN		01
04	0503010534	3/8 X 2-1/2 COTTERPIN		03
05	0511019519	1.5" X 1.4" PIVOT SHAFT		02
06	0511019685	FLAT WASHER		02
07	0503010002	1800 GREASE FITTING		02



Item	Code	Description	See page	QT
01	0511064165	BLADE FRONT		01
02	0531019518	SCRAPER 2220 X 6 X 1/2		01
03	0501012239	5/8" X 1.3/4" BOLT		07
04	0501812140	FLAT WASHER		07
05	0503011445	SPRING WASHER		07
06	0503010013	5/8" NUT		07
07	0503034003	SERIAL NUMBER TAG 61 X 118		01
08	0503010001	3.2 X 5.5 RIVET		04
09	0503033429	ADHESIVE LABEL		01



Item	Code	Description	See page	QT
01	0501100504	BOX		01
02	0501047575	OIL RESERVOIR ASSY	12	01
03	0561016541	RIGHT SCOUT		01
04	0561016542	LEFT SCOUT		01
05	0521061641	FRAME BRACKET		01
06	0521063770	LEFT BRACKET		01
07	0571013046	BRACKET		01
08	0561016408	FRAME BRACKET		01
09	0561016418	SUPPORT TANK OIL		01
10	0501059935	PUMP WITH SUCTION AND PRESSURE DUCTS	13	01
11	0561016816	120 X 50 ESTR 1.1/8" - COUPLING FLANGE		01
12	0521012242	SUPPORT ADAPTER		01
13	0501057540	AXIS 385 X 1.1/8 EST1.1/8-30G WITH RING		01
13A	0501068938	15" X 1.1/8 AXLE STRIATED		01
13B	0503010174	501028 CLAMPING RING (FOR AXLE)		02
14	0561016191	SHIM - PD 4292-4		02
15	0503030838	1-1/8" X 2.4" SLEEVE		01
16	0501041108	RETURNING FILTER ASSY	14	01
17	0501059952	DOBLE COMMAND 1/2 HIDROV/DANFOSS ASSY	15	01
18	0501048023	CONTROL VALVE	16	02
19	0511064780	SHOE SLIDE LIGHT STABILIZING		02
20	0521061677	TANK SUCTION DUCT - PCA/PD		01
21	0501041849	ASSY 1.1/4 NC X 910 ROD		01
21A	0501014914	1.1/4" X 910 ROD		01
21B	0501010087	1.1/4" NUT		04
22	0561010051	HEADLIGHT SUPPORT		02
23	0501068213	5/8" WRENCH DOUBLE		01
24	0511010153	2-5/16" FIXED WRENCH		01
25	0511064563	HOSE PROTECTION		01
26	0511031433	PACKAGED FISHES	17	01
27	0503030770	ADHESIVE LABEL		01

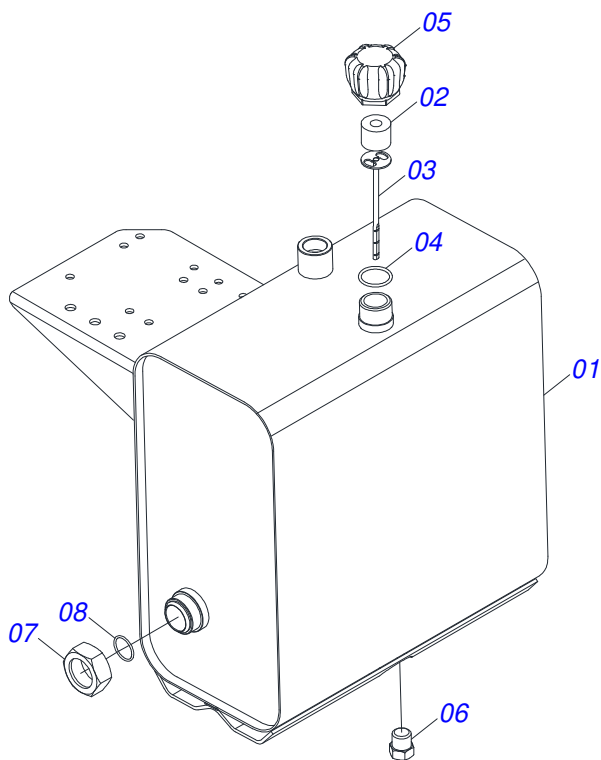


BOX WITH COMPONENTS

0521020766

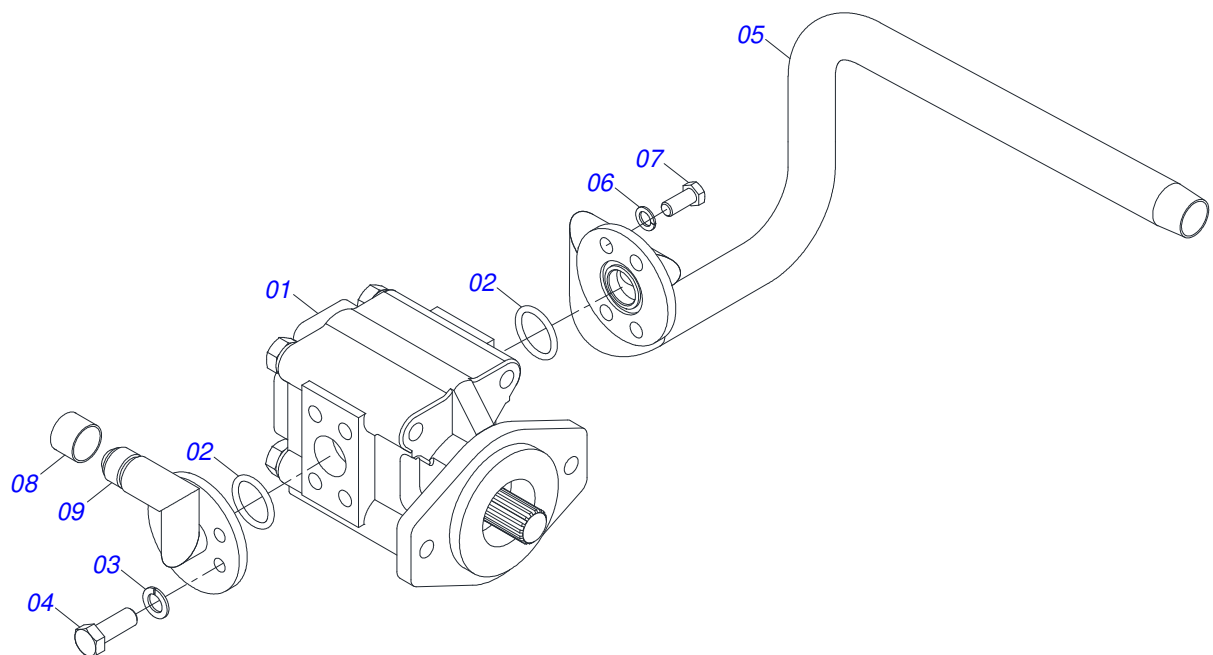
Item	Code	Description	See page	QT
28	0521063680	HITCH PIN (185)		02
29	0511059116	SET OF HOSES - SHT	18	01
30	0521061682	AXLE FIXER		02

OIL RESERVOIR ASSY

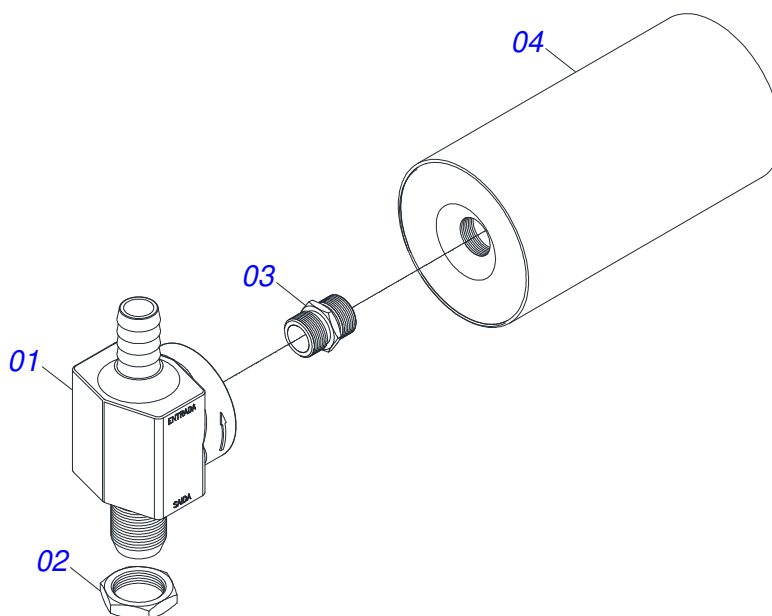


Item	Code	Description	See page	QT
01	0501068685	OIL RESERVOIR		01
02	0503030044	FILTERING ELEMENT		01
03	0501060975	OIL GAGE		01
04	0503010185	2-221 N 3006-9B O'RING		01
05	0502020472	FRONTAL COVER		01
06	0503031604	1/2" BSP PLUG		01
07	0501016309	2" 1X 2.5/16" NUT		01
08	0503010046	2-216 N 3006-9B O'RING		01

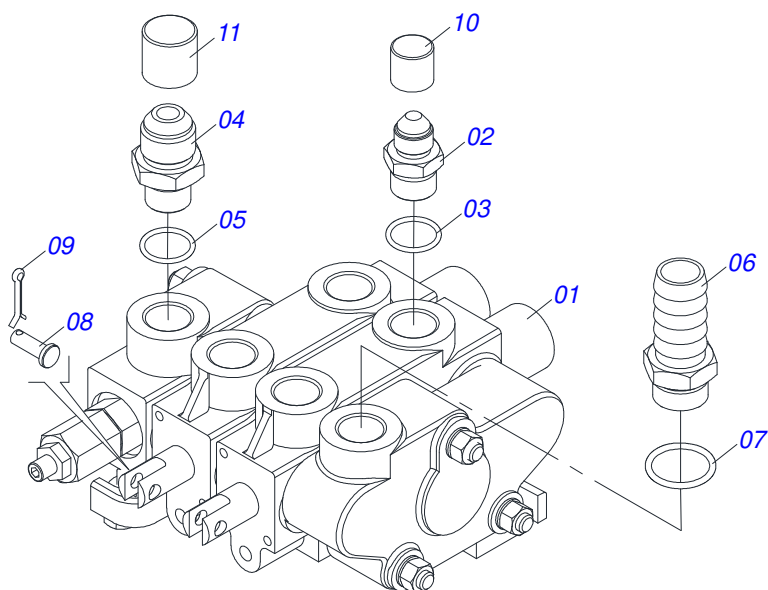




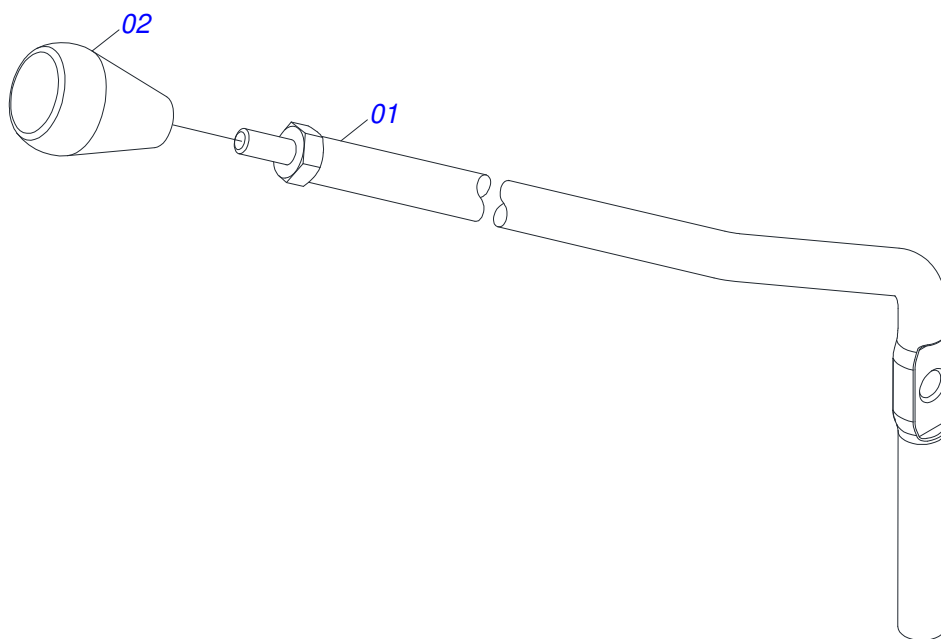
Item	Code	Description	See page	QT
01	0503061770	PUMP WITH TUBE		01
02	0503010173	2-220 N 3006-9B O'RING		02
03	0503010025	3/8" SPRING WASHER		04
04	0503011087	3/8" X 1" BOLT		04
05	0521061552	PUMP SUCTION DUCT - MF 4292/4283-4		01
06	0503010180	7/16" SPRING WASHER		04
07	0503010355	7/16" X 1" BOLT		04
08	0503030388	PLUG N-005		01
09	0501069661	PUMP PRESSURE TUBE		01



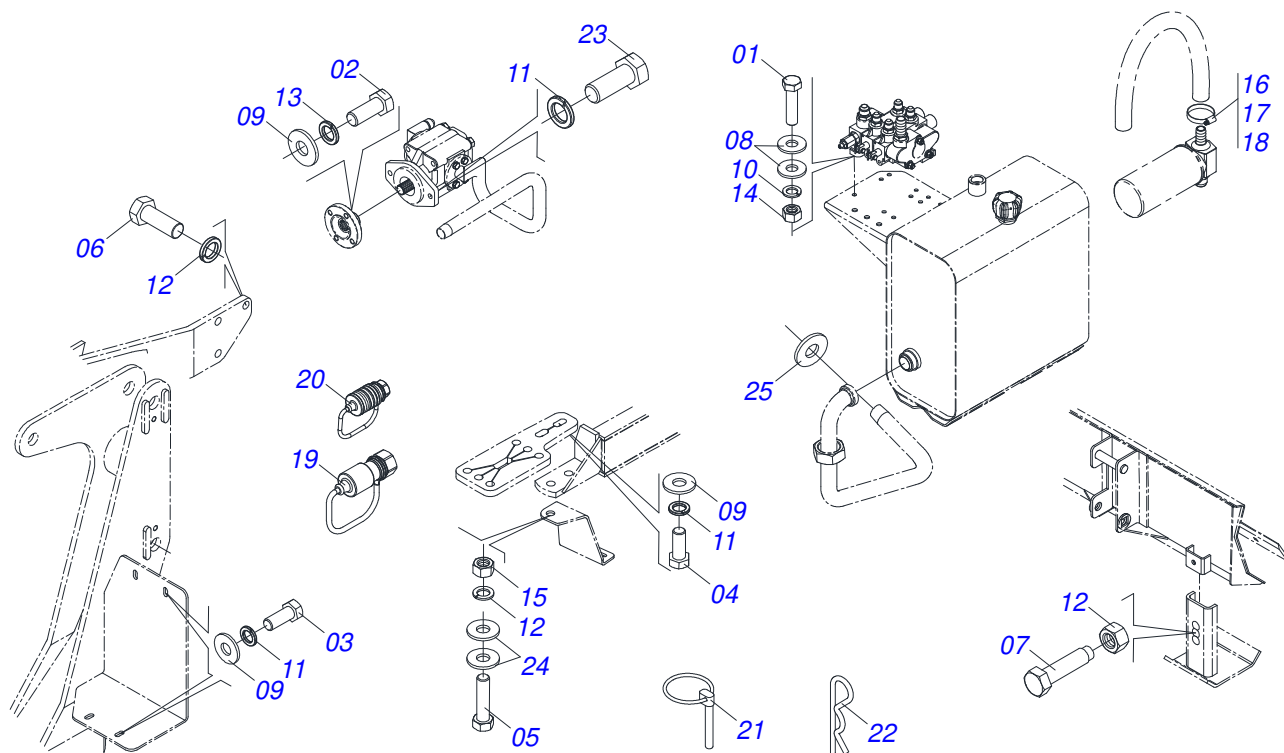
Item	Code	Description	See page	QT
01	0502050002	RETURNING FILTER HEAD		01
02	0501010594	1" NUT		01
03	0501010595	1" NF NIPPLE		01
04	0503010183	RETURNING FILTER		01



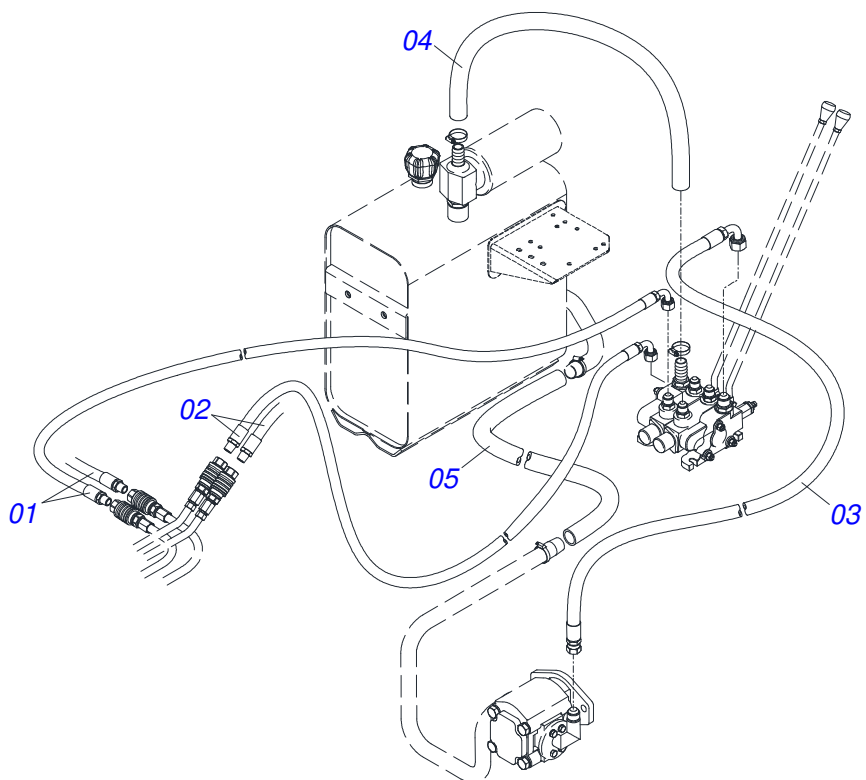
Item	Code	Description	See page	QT
01	0503060016	1/2"DOUBLE COMMAND		01
02	0501010590	NIPPLE		04
03	0503010045	O'RING		04
04	0501010589	R. 1.1/16UN SEXT 1.1/4 X 52 NIPPLE		01
05	0503011109	2-119 N 3006-9B O'RING		01
06	0501010591	HOSE NIPPLE		01
07	0503011109	2-119 N 3006-9B O'RING		01
08	0521010533	0.3" X 1" COUPLING SHAFT		02
09	0503010140	1/8" X 3/4" COTTERPIN		02
10	0503030387	PLUG		04
11	0503030388	PLUG N-005		01



Item	Code	Description	See page	QT
001	0511060695	CONTROL VALVE		01
002	0503030878	LEVER CRANK		01

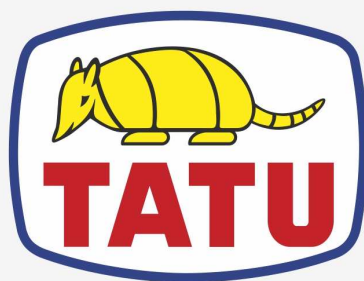


Item	Code	Description	See page	QT
01	0501010080	3/8" BOLT		03
02	0503010119	7/16" X 1-1/4" BOLT		04
03	0501010161	1/2" X 1.1/4" BOLT		04
04	0503011172	BOLT 1/2 UNC X 2.1/2 C S G.5 ZN		02
05	0501010500	3/4"X3"BOLT		04
06	0501010098	3/4" UNC BOLT		06
07	0501018246	3/4" X 3" BOLT		02
08	0501010984	FLAT WASHER		03
09	0511017302	FLAT WASHER		04
10	0503010025	3/8" SPRING WASHER		03
11	0503010019	1/2" SPRING WASHER		06
12	0503010023	3/4" SPRING WASHER		10
13	0503010180	7/16" SPRING WASHER		04
14	0503010026	3/8" NUT		03
15	0503010014	3/4" NUT		06
16	0503010184	CLAMP		02
17	0503010243	CLAMP		02
18	0503010246	CLAMP		02
19	0501053834	MALE QUICK COUPLER WITH CAP - 1/2 NPT		02
20	0501053835	FEMALE QUICK COUPLER	8	02
21	0503030430	7/16 X 2" PIN LOCK		02
22	0503030012	HAIR PIN		02
23	0503013793	M10 X 1,5 X 95 BOLT		02
24	0501010322	FLAT WASHER		08
25	0501012916	FLAT WASHER 38,50 X 66 X 4,75 ZN		02



Item	Code	Description	See page	QT
01	0501080376	1/2 X 1300 HOSE TC-TM		02
02	0501080796	1/2" X 1400 TC-TM HOSE		02
03	0501080638	3/4 X 3200 TR-TC HOSE		01
04	0501013378	1' X 25.59" HOSE CLAMP		01
05	0511010498	HOSE CLAMP 1.1/4" X 72.83"		01





**MARCHESAN**

**Technical Publications | Elaboration and Revision**

LUIZ CANDIDO

[www.marchesan.com.br](http://www.marchesan.com.br)

