

PCA - AGRICULTURAL FRONT LOADER

**PCA 600 JD 53/5403/5055/5065/5075E 3C BT
SC SL**

Code: 0501093026

Series: S-0111

Revision: 00

Date Revision: JULHO/2021

PARTS CATALOGUE



MARCHESAN



PRODUCTS

Code	Description
0106111238	PCA 600JD53/5403/5055/5065/5075E 3C BT SC SL

ATTENTION: IMPORTANT

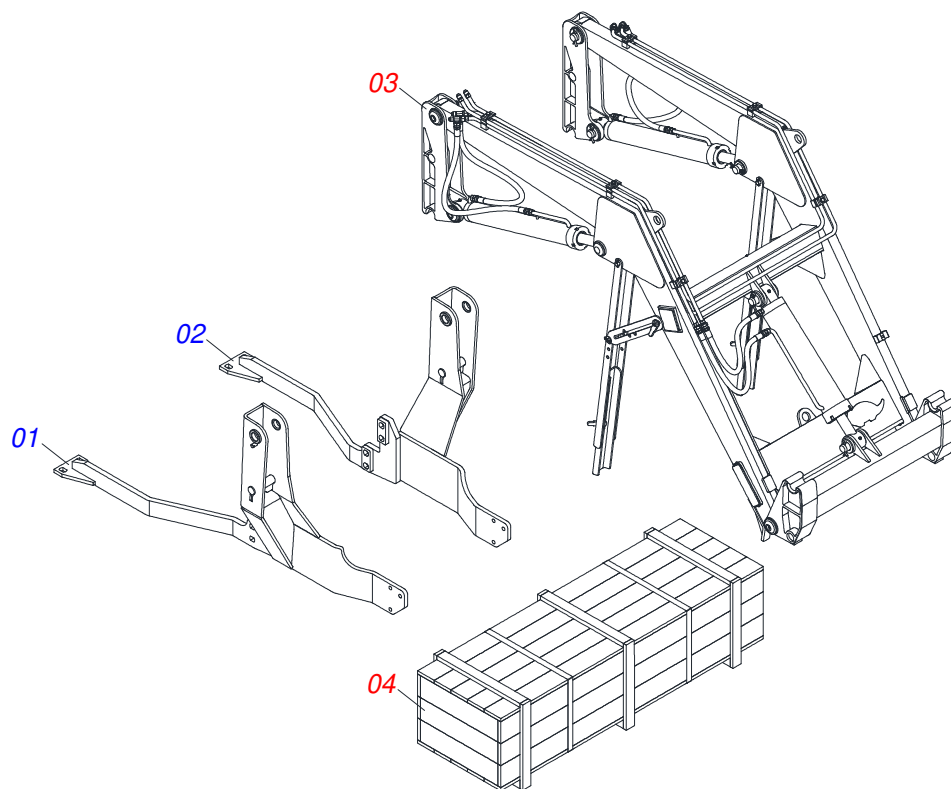
Marchesan S.A. reserves the right to improve and / or modify the technical features of its products, without obligation to do the same with those products already sold and without prior knowledge of the dealer or the consumer.



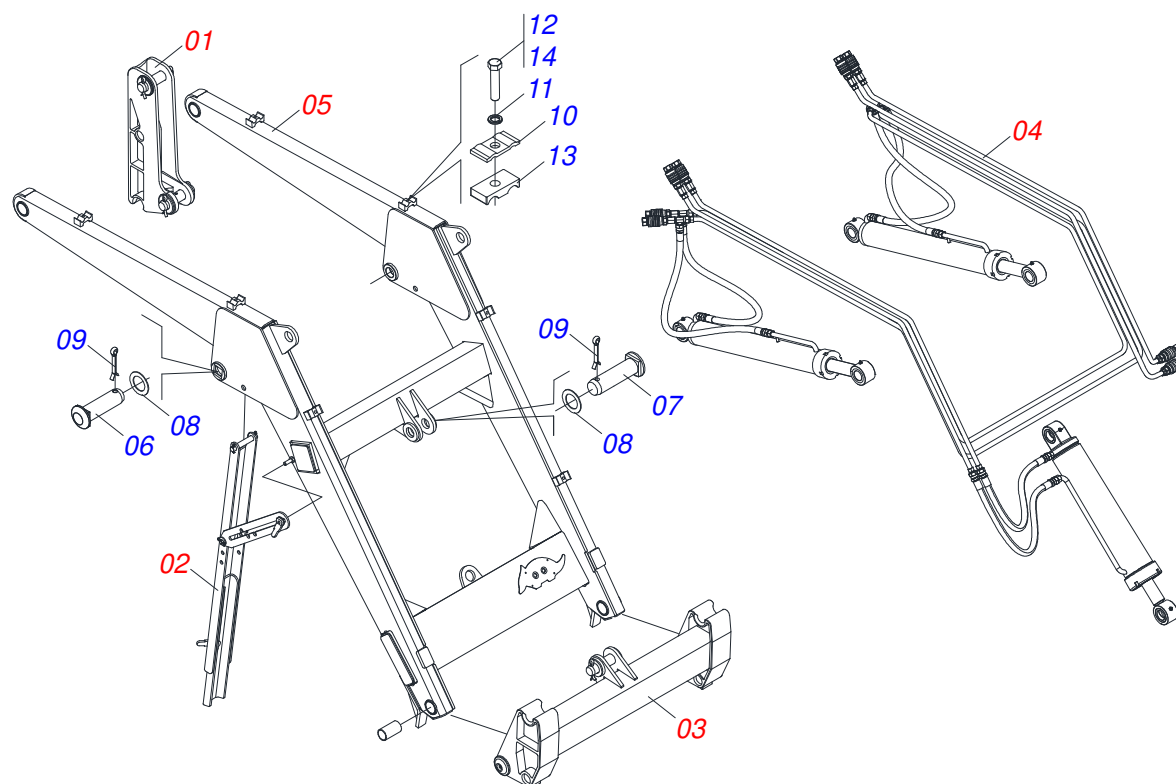
MARCHESAN

INDEX

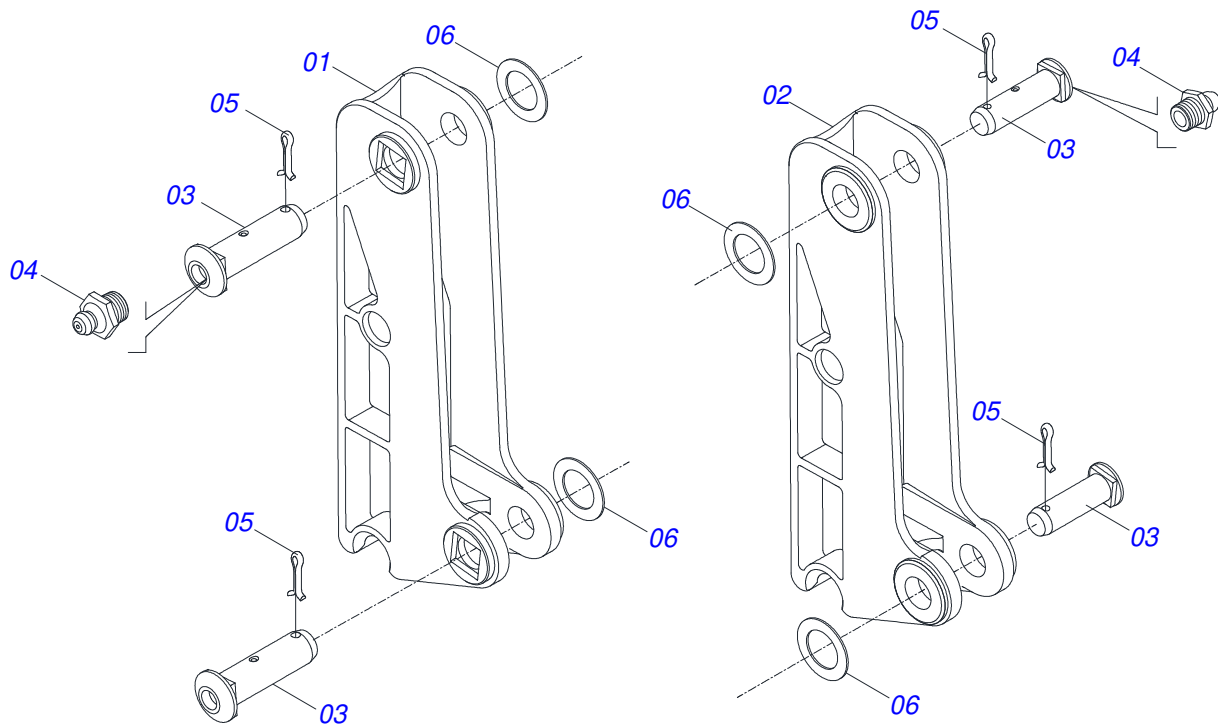
0106111238	PCA 600JD53/5403/5055/5065/5075E 3C BT SC SL	1
0511049180	FULL MOVABLE STAND	2
0909094279	MOVEL TOWER AND COMPONENTS	3
0909092667	ADJUSTABLE REST OF MOVABLE SUPPORT	4
0909094826	ARTICULATOR SUPPORT AND COMPONENTS	5
0909093434	HYDRAULIC CIRCUIT OF MOBILE SUPPORT	6
0521050762	44,45 X 76,20 X 865 X 555 HYDRAULIC CYLINDER	7
0511057915	44,45 X 101,60 X 702 X 738 HIDRAULIC CYLINDER	8
0501053834	MALE QUICK COUPLER WITH CAP - 1/2 NPT	9
0511025809	BOX WITH COMPONENTS	10
0501038322	PACKAGED PIECES	11



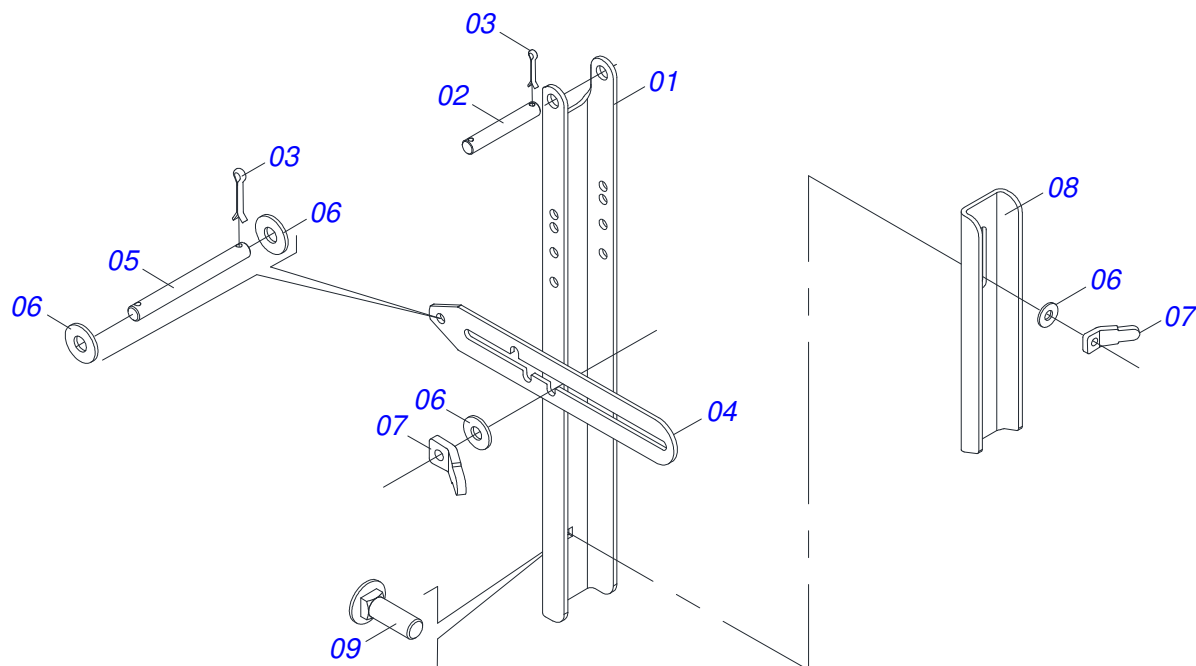
Item	Code	Description	See page	QT
001	0521062031	RIGHT FRAME		01
002	0521062032	LEFT FRAME		01
003	0511049180	FULL MOVABLE STAND	2	01
004	0511025809	BOX WITH COMPONENTS	10	01



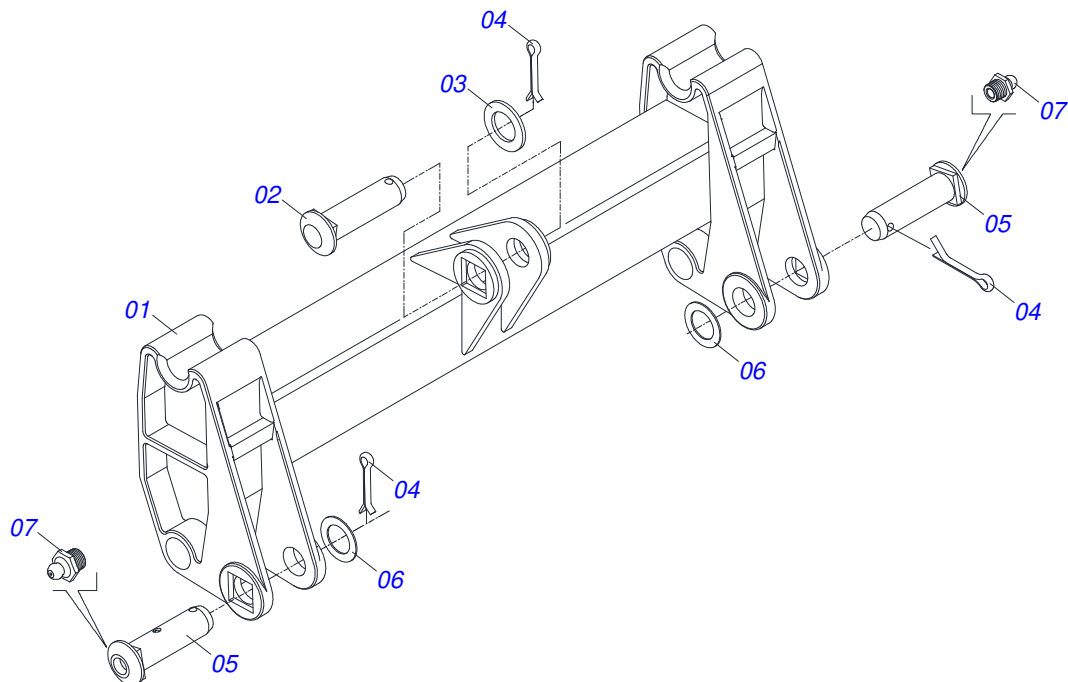
Item	Code	Description	See page	QT
01	0909094279	MOVEL TOWER AND COMPONENTS	3	02
02	0909092667	ADJUSTABLE REST OF MOVABLE SUPPORT	4	02
03	0909094826	ARTICULATOR SUPPORT AND COMPONENTS	5	01
04	0909093434	HYDRAULIC CIRCUIT OF MOBILE SUPPORT	6	01
05	0521061958	MOBILE SUPPORT		01
06	0511019521	1.5" X 1.4" PIVOT SHAFT		02
07	0521010904	1.5" X 1.4" PIVOT SHAFT		01
08	0501012916	FLAT WASHER 38,50 X 66 X 4,75 ZN		03
09	0503010534	3/8 X 2-1/2 COTTERPIN		03
10	0531011180	UPPER BODY CLIP		06
11	0503010180	7/16" SPRING WASHER		06
12	0503011102	BOLT 7/16 UNC X 1.1/4 C S G.5 ZN		03
13	0502010477	HOSE CLAMP		03
14	0503012555	SCREW 7/16 UNC X 2 CS RT G.7 ZN		03



Item	Code	Description	See page	QT
01	0502012382	RIGHT MOBILE TOWER		01
02	0502012381	LEFT MOBILE TOWER		01
03	0511019519	1.5" X 1.4" PIVOT SHAFT		04
04	0503010002	1800 GREASE FITTING		04
05	0503010534	3/8 X 2-1/2 COTTERPIN		04
06	0511819685	FLAT WASHER		04

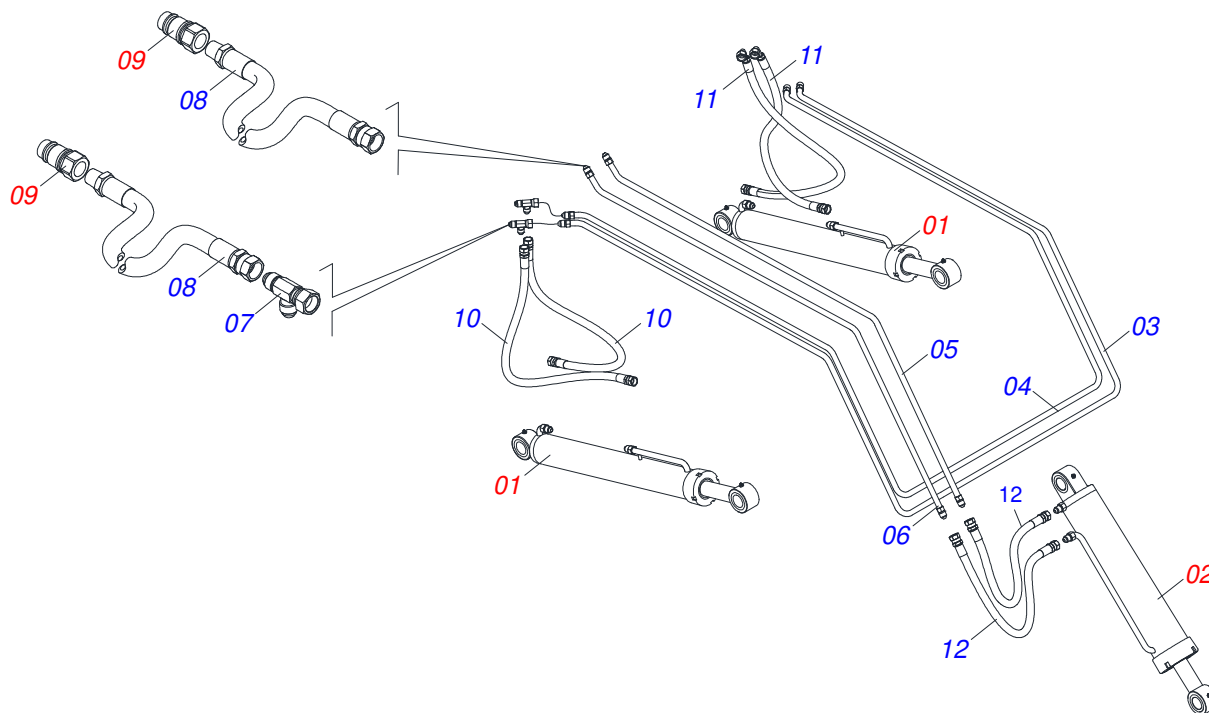


Item	Code	Description	See page	QT
01	0561016401	PLOUGH SUPPORT BODY	02	
02	0511013598	3/4" X 4.7" COUPLING SHAFT	02	
03	0503010071	3/16" X 1" COTTERPIN	08	
04	0511019634	CONTROL LOCK	02	
05	0521012823	COUPLING SHAFT	02	
06	0511017302	FLAT WASHER	08	
07	0561016329	LATCH HOLDER REST PCA	04	
08	0561016619	COMPLEMENTON REST	02	
09	0503014378	1/2" X 1-1/2" BOLT	02	

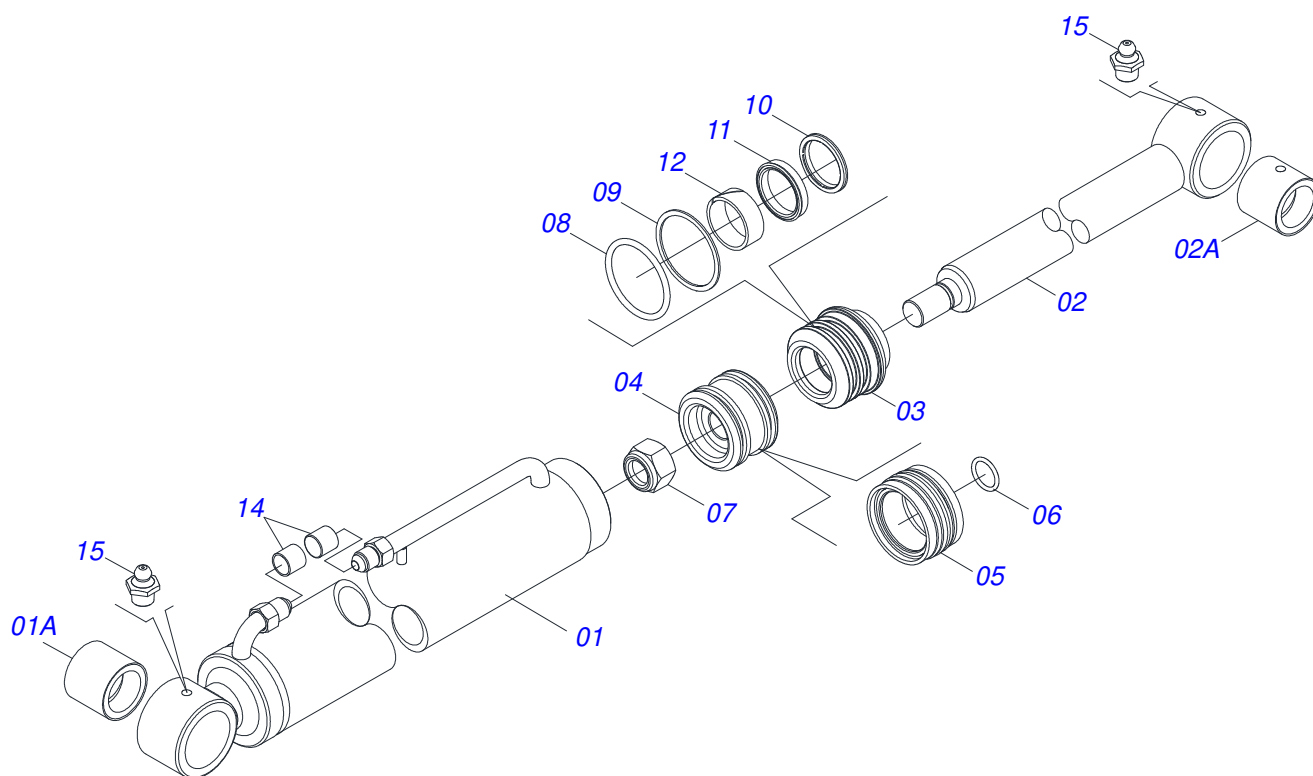


Item	Code	Description	See page	QT
01	0501069934	ARTÍCULOS SOPORTE PCA 600 AX 5.80-4		01
02	0521010904	1.5" X 1.4" PIVOT SHAFT		01
03	0501012916	FLAT WASHER 38,50 X 66 X 4,75 ZN		01
04	0503010534	3/8 X 2-1/2 COTTERPIN		03
05	0511019519	1.5" X 1.4" PIVOT SHAFT		02
06	0511019685	FLAT WASHER		02
07	0503010002	1800 GREASE FITTING		02

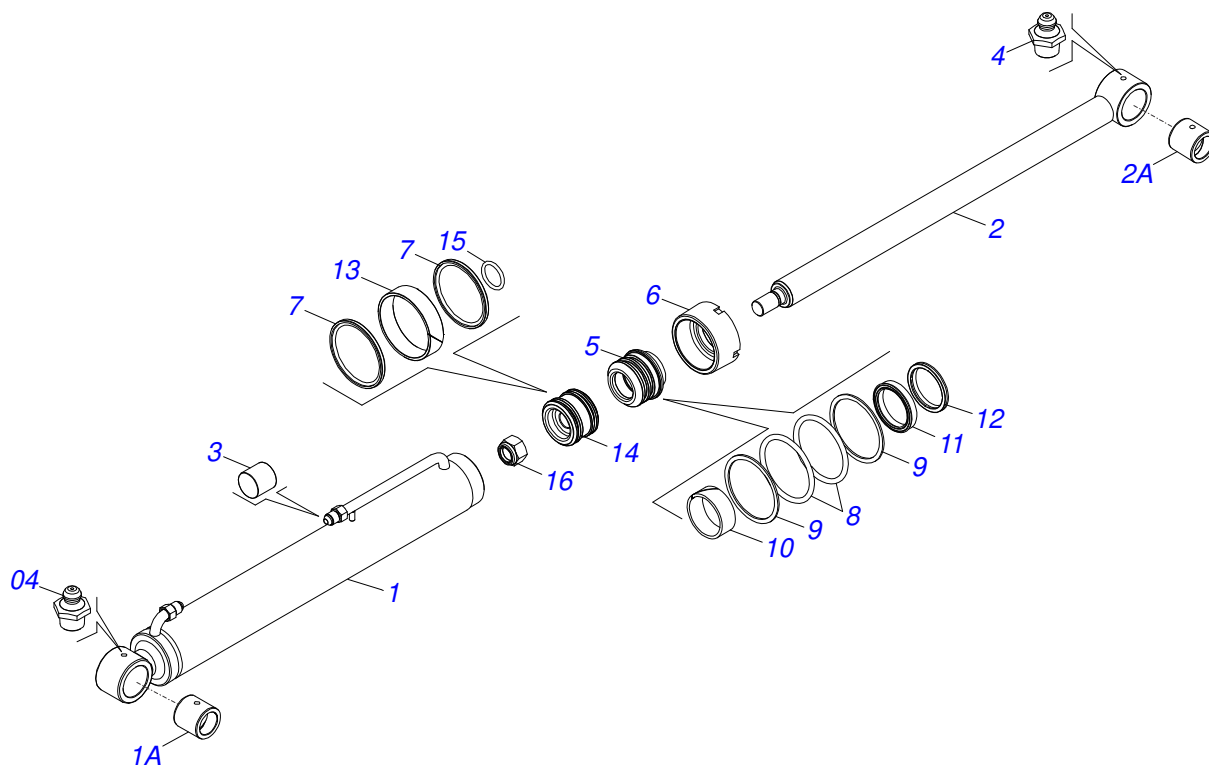
HYDRAULIC CIRCUIT OF MOBILE SUPPORT



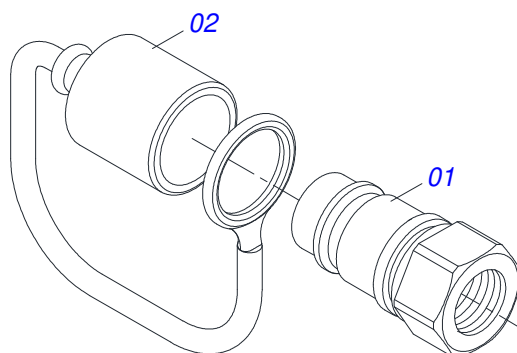
Item	Code	Description	See page	QT
01	0521050762	44,45 X 76,20 X 865 X 555 HYDRAULIC CYLINDER	7	02
02	0511057915	44,45 X 101,60 X 702 X 738 HIDRAULIC CYLINDER	8	01
03	0521061972	LEFT OUTER OIL DISTRIBUTOR		01
04	0521061971	LEFT INTERNAL OIL DISTRIBUTOR		01
05	0521063127	SUPERIOR OIL ROOM DISTRIBUTOR		01
06	0521063126	TOP EXTERNAL OIL DISTRIBUTOR - PCA JD 5075		01
07	0503011968	3/4" 8R6X-S T ADAPTER WITH SWIVEL NUT		02
08	0501081124	HOSE 3/8" X 4200-TM TR		04
09	0501053834	MALE QUICK COUPLER WITH CAP - 1/2 NPT	9	08
10	0501080105	TR-TR HOSE ASSY		02
11	0501080413	3/8" X 27" TR-TC HOSE		02
12	0501080635	3/8" X 19" TR-TR HOSE		02



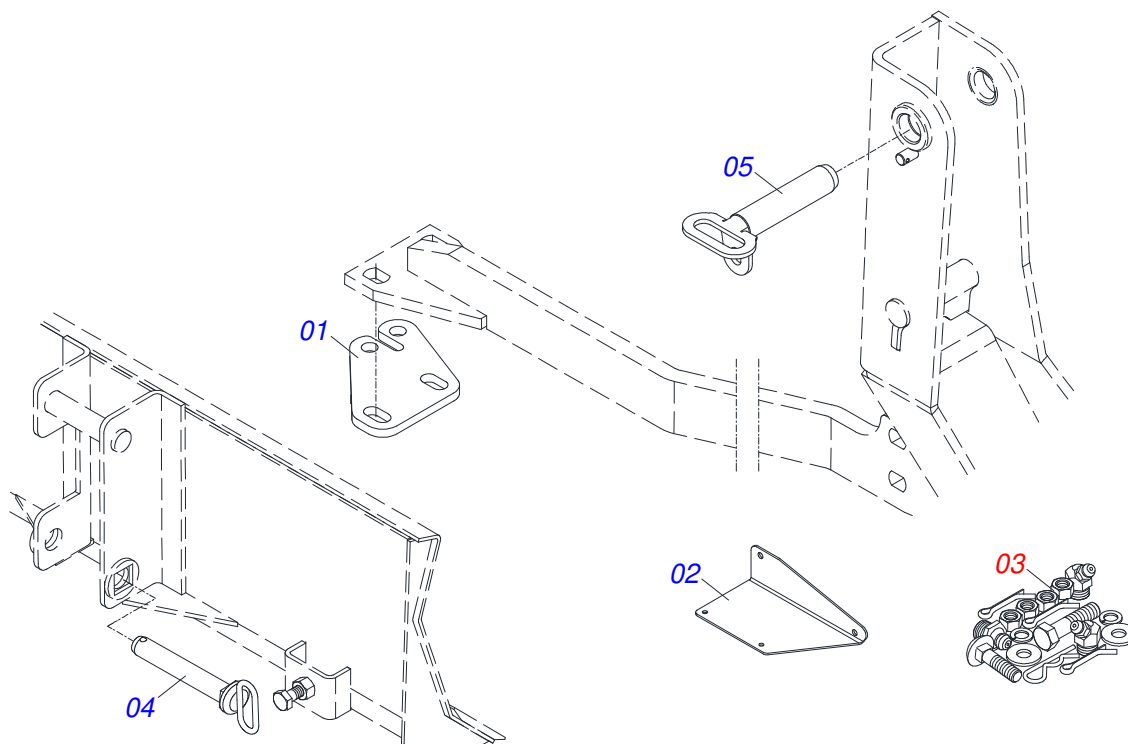
Item	Code	Description	See page	QT
01	0511071163	76,20 X 740 CYLINDER CASE		01
01A	0521010514	38,1 X 52,9 X 50 SLEEVE INTER		01
02	0521066424	AIR TURNBUCKLE		01
02A	0521010514	38,1 X 52,9 X 50 SLEEVE INTER		01
03	0581010301	RING SUPPORT		01
04	0581010304	PISTON		01
05	0503018136	ZW 007600260 AGEL RING		01
06	0503010042	2-214 N 3006-9B O'RING		01
07	0503010063	1" SELF-ALIGNING NUT		01
08	0503010343	2-334 N 3006-9B O'RING		02
09	0503011059	8-334 BACK-UP RING		02
10	0503010761	D-1750 SCRAPER RING		01
11	0503017937	GASKET		01
12	0503017938	RING GUIDE		01
13	0502011899	MOBILE COVER		01
14	0503030385	CYLINDER PLUG N-002		02
15	0503010002	1800 GREASE FITTING		02



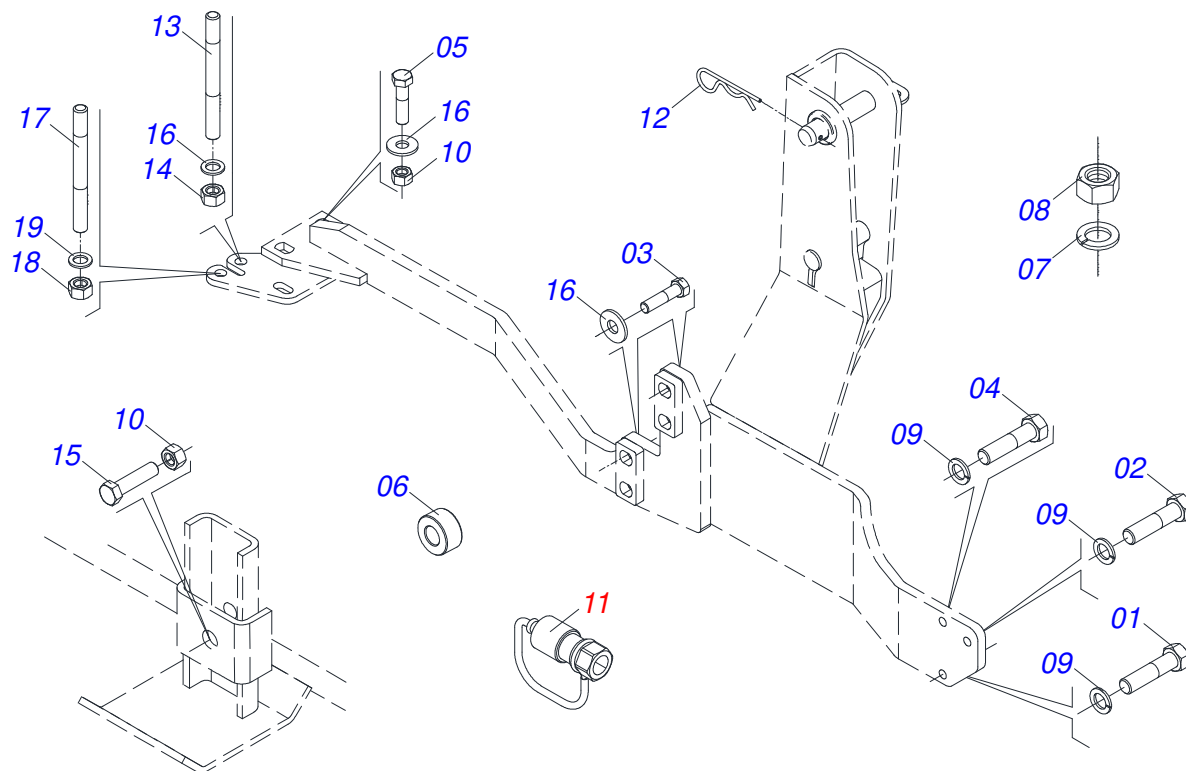
Item	Code	Description	See page	QT
01	0511066339	101,6 X 548 CYLINDER CASE - PCA 600		01
01A	0521010514	38,1 X 52,9 X 50 SLEEVE INTER		01
02	0521066430	44,45 X 630 EXTENDER		01
02A	0521010514	38,1 X 52,9 X 50 SLEEVE INTER		01
03	0503030385	CYLINDER PLUG N-002		02
04	0503010002	1800 GREASE FITTING		02
05	0581010302	RING OF SUPPORT		01
06	0502012822	101.60 END CAP		01
07	0503018158	OE 101605200211D-BR RING BS		02
08	0503011061	8-342 BACK-UP RING		02
09	0503010338	2-342 N 3006-9B O'RING		02
10	0503017938	RING GUIDE		01
11	0503017937	GASKET		01
12	0503010761	D-1750 SCRAPER RING		01
13	0503010994	W2-4000-500 PK RING G.E		01
14	0581010303	PISTON 4 - PCA 600		01
15	0503018029	2-217 O'RING		01
16	0503010817	1.1/4" SELF LOCKING NUT		01



Item	Code	Description	See page	QT
01	0503011627	MALE QUICK COUPLER AGR 1/2 NPT		01
02	0503011882	MALE QUICK COUPLER CAP		01



Item	Code	Description	See page	QT
01	0561017651	DIFFERENTIAL SHOE		02
02	0561017650	TOOL BOX HOLDER		01
03	0501038322	PACKAGED PIECES	11	01
04	0521063680	HITCH PIN (185)		02
05	0521061682	AXLE FIXER		02



Item	Code	Description	See page	QT
01	0503011188	M16 X 2 X 50 BOLT		04
02	0503012573	M16 X 2 X 65 BOLT		02
03	0503013104	M20 X 2,5 X 80 BOLT		08
04	0503011267	BOLT 5/8 UNC X 1.1/2 C S G.5 ZN		04
05	0501010500	3/4"X3"BOLT		04
06	0531016799	SLEEVE 34,93 X 16,50 X 20		02
07	0503010025	3/8" SPRING WASHER		03
08	0503010026	3/8" NUT		03
09	0503010027	5/8" SPRING WASHER		10
10	0503010014	3/4" NUT		06
11	0501053834	MALE QUICK COUPLER WITH CAP - 1/2 NPT	9	04
12	0503030012	HAIR PIN		02
13	0561017654	M20 X 2.5 X 270 THREADED ROD ZN		04
14	0503015985	M20 X 2.5 ZN HEXAGONAL NUT		08
15	0501010125	3/4" X 2-1/2" BOLT		02
16	0501010322	FLAT WASHER		08
17	0503034789	PRISONER		04
18	0503019335	METRIC NUT		08
19	0503010012	1" SPRING WASHER		08



MARCHESAN

Technical Publications | Elaboration and Revision

LUIZ CANDIDO

www.marchesan.com.br

