

HINGE TYPE OFFSET DISK HARROW

GNPT HYDRAULIC - 64D

Code: 0501093022

Series: S-0112

Revision: 00

Date Revision: MAIO/2021

PARTS CATALOGUE



MARCHESAN



PRODUCTS

Code	Description
0102500036	GNPT 64X22X4,50 DM DR S-0112

ATTENTION: IMPORTANT

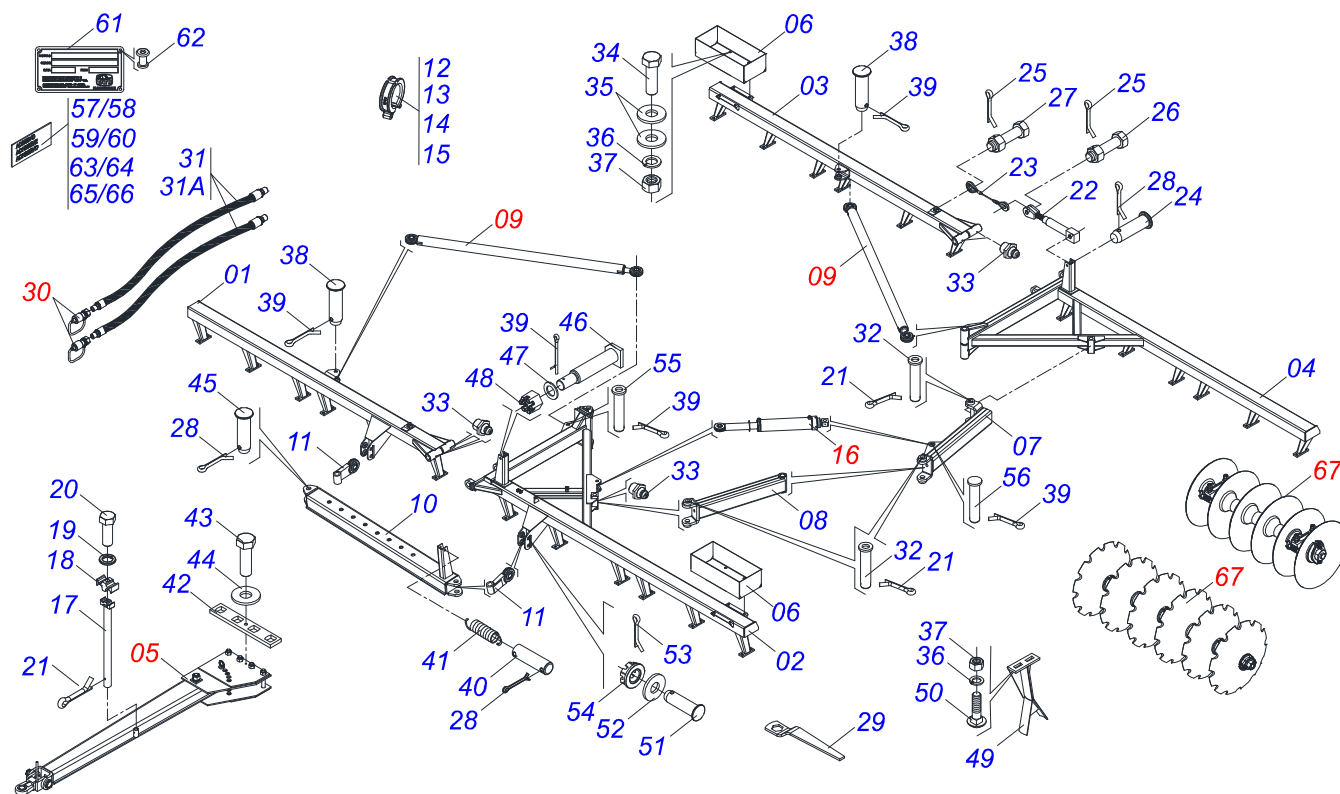
Marchesan S.A. reserves the right to improve and / or modify the technical features of its products, without obligation to do the same with those products already sold and without prior knowledge of the dealer or the consumer.



MARCHESAN

INDEX

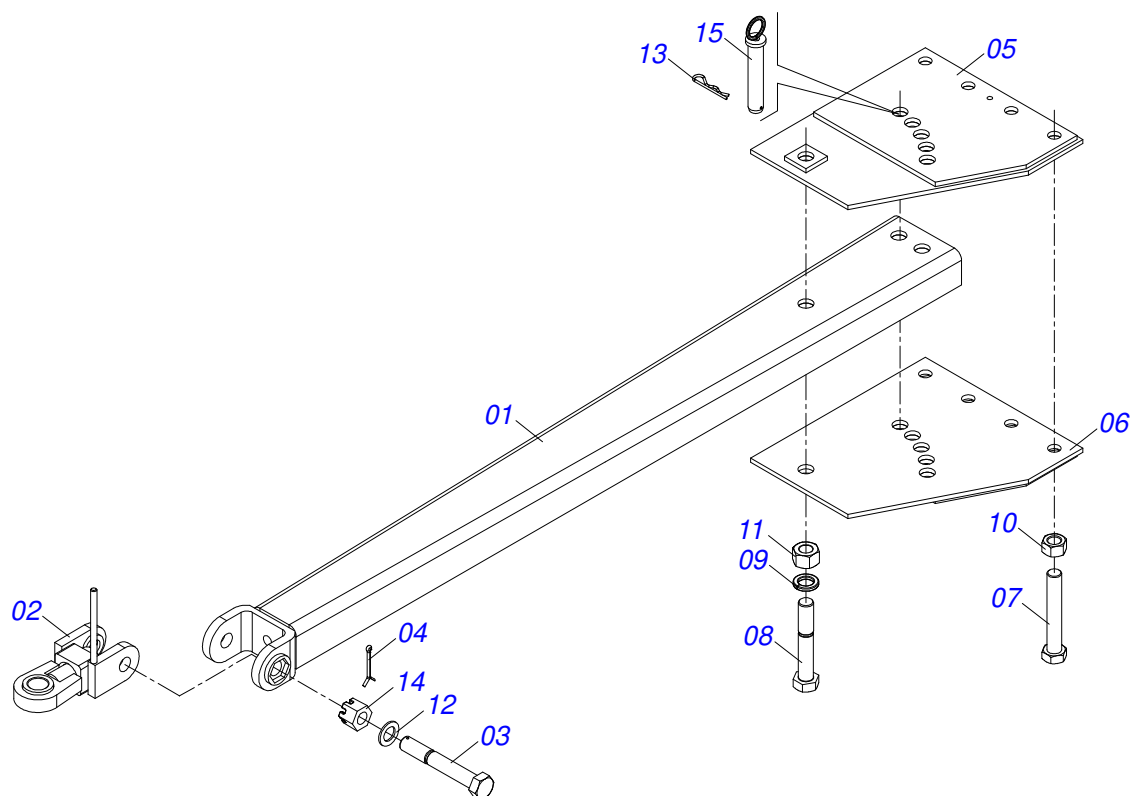
0909095783	ASSY FRAME - 64D	1
0511050314	AXLE ASSY	2
0521044085	ASSY EXTENSOR	3
0511046412	HYDRAULIC CYLINDER	4
0501053834	MALE QUICK COUPLER WITH CAP - 1/2 NPT	5
0909095784	DISC GANG - 64D	6
0511040472	AGRICULTURAL BEARING	7



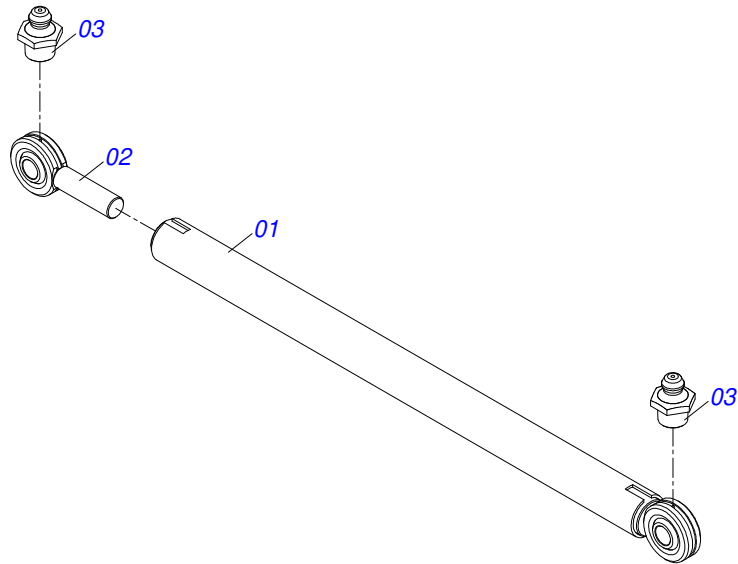
Item	Code	Description	See page	QT
01	0521064717	RIGHT FRONT FRAME - 64		01
02	0511065028	LEFT REAR FRAME - 64		01
03	0511065027	RIGHT REAR FRAME - 64		01
04	0511065030	LEFT REAR FRAME		01
05	0511050314	AXLE ASSY	2	01
06	0511062276	WEIGHT BOX		02
07	0511062277	REAR ARM		01
08	0511062278	ARM FRONT		01
09	0521044085	ASSY EXTENSOR	3	02
10	0511062279	DRAWBAR ASSY		01
11	0511062282	HITCH BODY		02
12	0501047895	ROD STOP		03
13	0501047885	ROD STOP		01
14	0501047886	ROD STOP		01
15	0501047887	ROD STOP		01
16	0511046412	HYDRAULIC CYLINDER	4	01
17	0511060205	SUPPORT HOSE CNS 20104N		01
18	0502012702	BODY SUPPORT CLAMP		03
19	0503010180	7/16" SPRING WASHER		03
20	0503012555	SCREW 7/16 UNC X 2 CS RT G.7 ZN		03
21	0503012215	5/16" X 2-1/2" COTTERPIN		13
22	0521044092	CABLE STEEL TURNBUCKLE		02
23	0503031648	STEEL CABLE		02
24	0521016834	PIN WITH HEAD PN-006 3090065 ZN		02
25	0503012232	1/8" X 2" COTTERPIN		04
26	0521013783	BOLT CABLE		02
27	0521013784	BOLT CABLE		02
28	0503010362	1/8" X 1.1/4" COTTERPIN		08
29	0501011432	1-1/2" AND 1-5/8 GANG BOLT WRENCH		02
30	0501053834	MALE QUICK COUPLER WITH CAP - 1/2 NPT	5	02
31	0501053218	HOSE ASSY		01



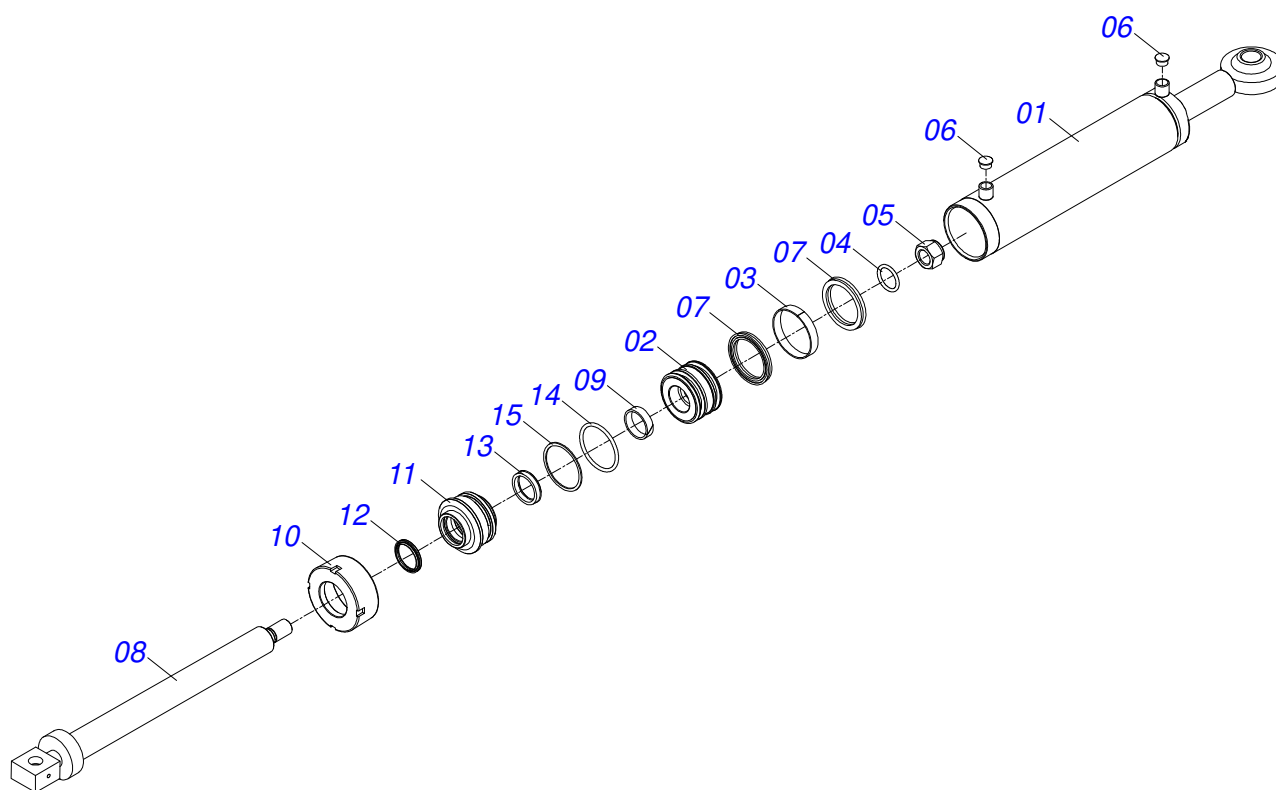
Item	Code	Description	See page	QT
31A	0501080803	TM-TM HOSE ASSY		02
32	0511060259	PIN		03
33	0503010002	1800 GREASE FITTING		12
34	0503010920	1/2" X 1.1/2" BOLT		08
35	0501010937	13.5 X 28 X 3 FLAT WASHER		16
36	0503010019	1/2" SPRING WASHER		104
37	0503012682	1/2" BSW NUT		92
38	0511062275	PIN		02
39	0503010010	1/4" X 2.1/2" COTTERPIN		13
40	0521014140	PIN SEM HEAD PN-060 3090606 ZN		01
41	0503031511	SPRING		01
42	0521013774	GVMF LOCK		01
43	0501010108	5/8" X 1" BOLT		01
44	0501012140	FLAT WASHER		01
45	0511062274	PIN		04
46	0511062283	PIVOT PIN		03
47	0501012916	FLAT WASHER 38,50 X 66 X 4,75 ZN		03
48	0502011592	CASTLE NUT		03
49	0511060204	CLEANER - OPTIONAL		48
50	0501010243	1/2" X 1-1/2" BOLT		84
51	0521019898	PIN PN-217 3092173		02
52	0501010086	FLAT WASHER		02
53	0503010038	3/16 X 2 COTTERPIN		02
54	0503012457	UNF 1.1/4" CASTLE NUT		02
55	0511062274	PIN		02
56	0521016834	PIN WITH HEAD PN-006 3090065 ZN		02
57	0503033955	ADHESIVE LABEL		01
58	0503033038	DANGER SIGN		01
59	0503031738	ADHESIVE LABEL		01
60	0503031428	READ MANUAL DECAL		01
61	0503034003	SERIAL NUMBER TAG 61 X 118		01
62	0503010001	3.2 X 5.5 RIVET		04
63	0503034438	ADHESIVE LABEL		01
64	0503033954	ADHESIVE LABEL		01
65	0503031807	ADHESIVE LABEL		01
66	0503033038	DANGER SIGN		01
67	0909095784	DISC GANG - 64D	6	01



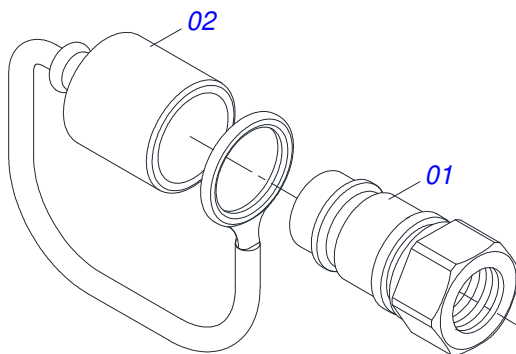
Item	Code	Description	See page	QT
01	0511062280	AXLE ASSY		01
02	0511063351	HITCH		01
03	0521013739	BOLT HARNESS		01
04	0503010010	1/4" X 2.1/2" COTTERPIN		01
05	0511060171	PLATE HITCH		01
06	0511060172	PLATE HITCH		01
07	0503012174	1-1/4" X 8-1/4" BOLT		04
08	0503012258	1-1/2" X 9" BOLT		01
09	0503010069	1.1/2" SPRING WASHER		01
10	0503012181	1.1/4" NUT		04
11	0503012259	UNC1.1/2" ZIN 1K03155 NUT		01
12	0501012916	FLAT WASHER 38,50 X 66 X 4,75 ZN		01
13	0503031479	STAPLE		01
14	0502011592	CASTLE NUT		01
15	0511060146	PIN FIXER		01



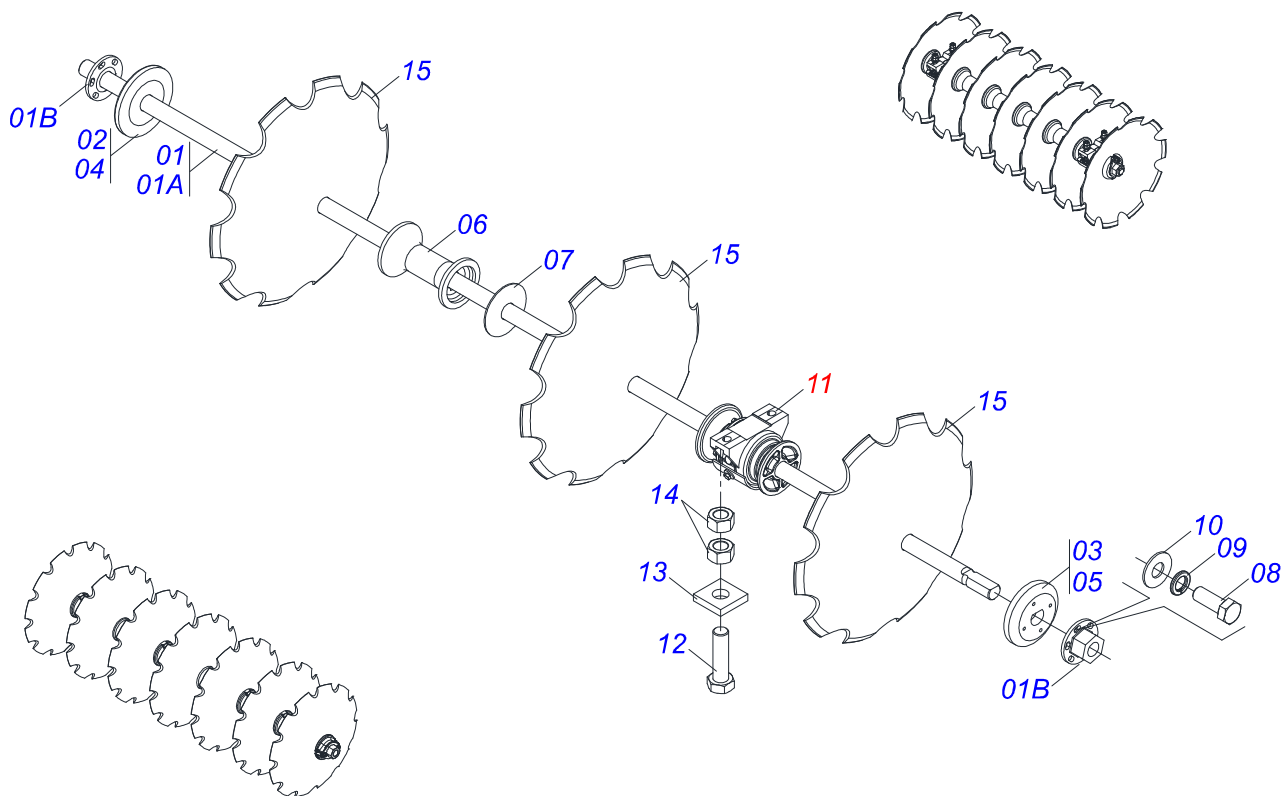
Item	Code	Description	See page	QT
01	0521064779	EXTENSOR BODY ASSY		01
02	0501074699	ASSY SCREW		01
03	0503010002	1800 GREASE FITTING		02
04	1882970002	GREASE SOAP		00



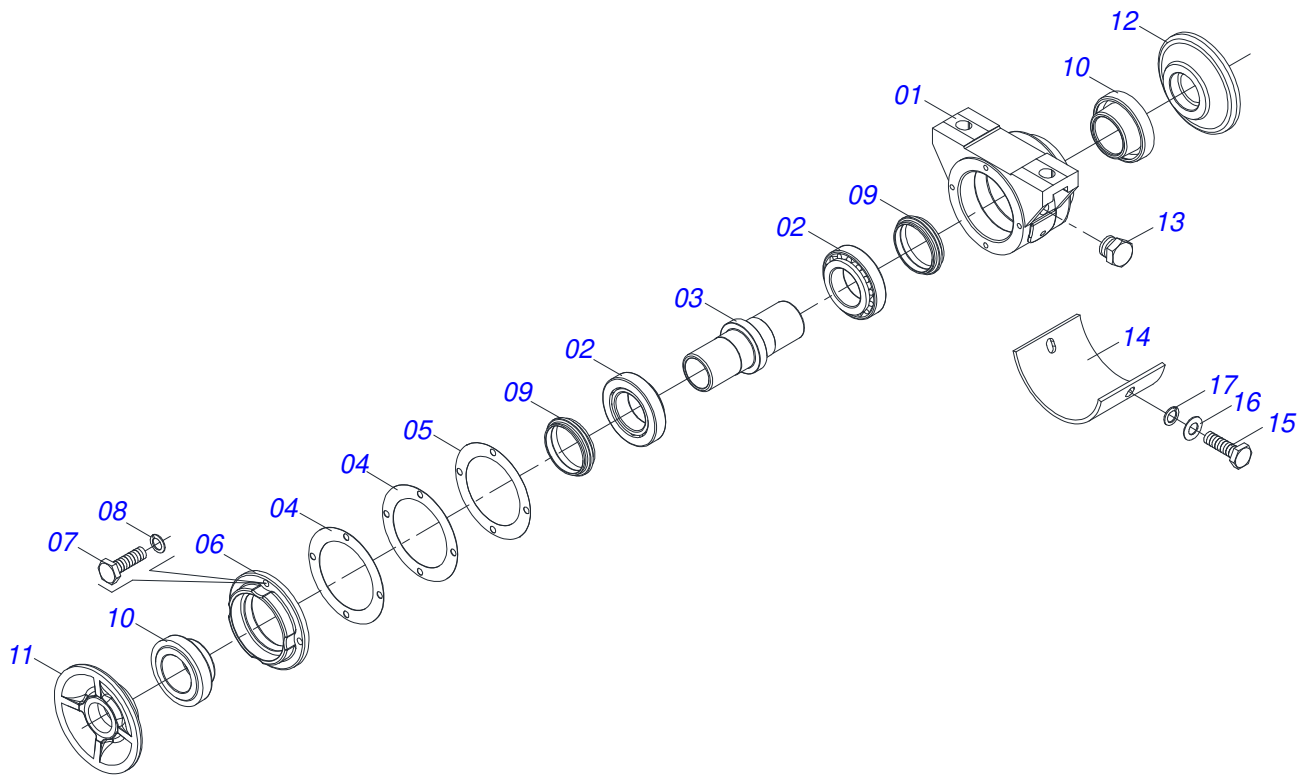
Item	Code	Description	See page	QT
01	0511069435	CYLINDER CASE		01
02	0502010992	2.0" X 4.0" PISTON		01
03	0503010994	W2-4000-500 PK RING G.E		01
04	0503010345	2-218 N 3006-9B O'RING		01
05	0503010817	1.1/4" SELF LOCKING NUT		01
06	0503030384	CON PLUG N-001		02
07	0503010043	PACKING 3750-3250		02
08	0511069434	SCARIFIER SPINDLE SET		01
09	0503010952	W2-2250-500 RING		01
10	0502010017	4" HEAD		01
11	0502010778	2" X 4.2" RING SUPPORT		01
12	0503010039	D-2000 SCRAPER RING		01
13	0503010991	1870-2000-375-B GASKET		01
14	0503010338	2-342 N 3006-9B O'RING		01
15	0503011061	8-342 BACK-UP RING		01



Item	Code	Description	See page	QT
01	0503011627	MALE QUICK COUPLER AGR 1/2 NPT		01
02	0503011882	MALE QUICK COUPLER CAP		01



Item	Code	Description	See page	QT
01	0511050562	AXLE DISC WITH NUTS		08
01A	0511060787	AXLE DISC		08
01B	0502011593	7" AXLE NUT		08
02	0502011608	INNER FLANGE		04
03	0502011609	OUTER FLANGE		04
04	0502011606	INNER FLANGE		04
05	0502011607	OUTER FLANGE		04
06	0502011594	SPACER		40
07	0521013879	GNC 57900 CHOCK		16
08	0503010237	3/8" X 1" BOLT		16
09	0503010025	3/8" SPRING WASHER		16
10	0501013518	FLAT WASHER		16
11	0511040472	AGRICULTURAL BEARING	7	16
12	0503012246	5/8" X 2-3/4" BOLT		32
13	0521013775	FLAT WASHER		32
14	0503010129	5/8" NUT		64
15	0602029409	22" X 4,5 NOTCHED DISC BLADE		64



Item	Code	Description	See page	QT
01	0502012014	BODY BEARING		01
02	0503010006	32210 ROLLER BEARING		02
03	0502040514	157,50 / 157,35 AXLE		01
04	0503031730	JOINT SEALING		02
05	0503031729	JOINT SEALING		01
06	0502012015	BEARING COVER		01
07	0503010371	5/16" X 1" BOLT		04
08	0503011444	SPRING WASHER		04
09	0503030026	SEAL LP JB-253		02
10	0502010541	SEAL RETAINER		02
11	0502010604	OUTER FLANGE		01
12	0502010605	INNER FLANGE		01
13	0503010856	OIL PLUG		01
14	0521013857	PLATE PROTECTION		01
15	0503011334	BOLT 3/8 UNC X 3/4 CS G.5 ZN		02
16	0501010984	FLAT WASHER		02
17	0503010025	3/8" SPRING WASHER		02



MARCHESAN

Technical Publications | Elaboration and Revision

LORENA ROCHA ALVES

www.marchesan.com.br

