

HINGE TYPE OFFSET DISK HARROW

GNPT HYDRAULIC - 54D - PA

Code: 0501093021

Series: S-0112

Revision: 00

Date Revision: MAIO/2021

PARTS CATALOGUE



MARCHESAN



PRODUCTS

Code	Description
0102500017	GNPT HID 54X22X4,5 DM MT PA S-0112

ATTENTION: IMPORTANT

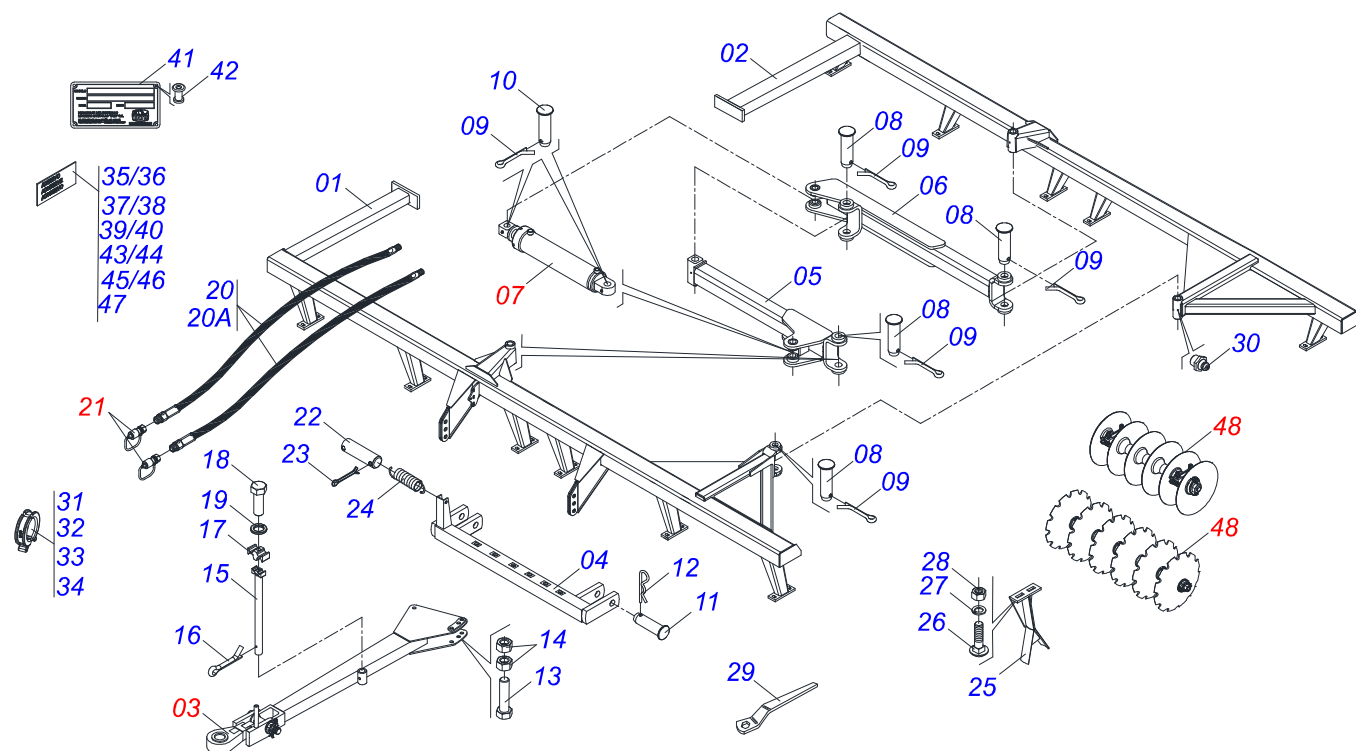
Marchesan S.A. reserves the right to improve and / or modify the technical features of its products, without obligation to do the same with those products already sold and without prior knowledge of the dealer or the consumer.



MARCHESAN

INDEX

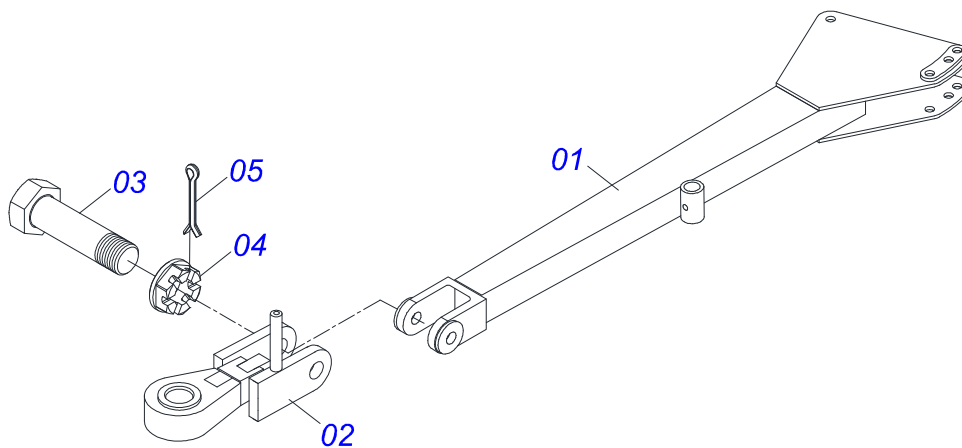
0909095781	ASSY FRAME - 54D	1
0511050413	DRAYBAR	2
0511048232	HYDRAULIC CILINDER CH	3
0501053834	MALE QUICK COUPLER WITH CAP - 1/2 NPT	4
0909095782	GANG DISC - 54D	5
0511040472	AGRICULTURAL BEARING	6



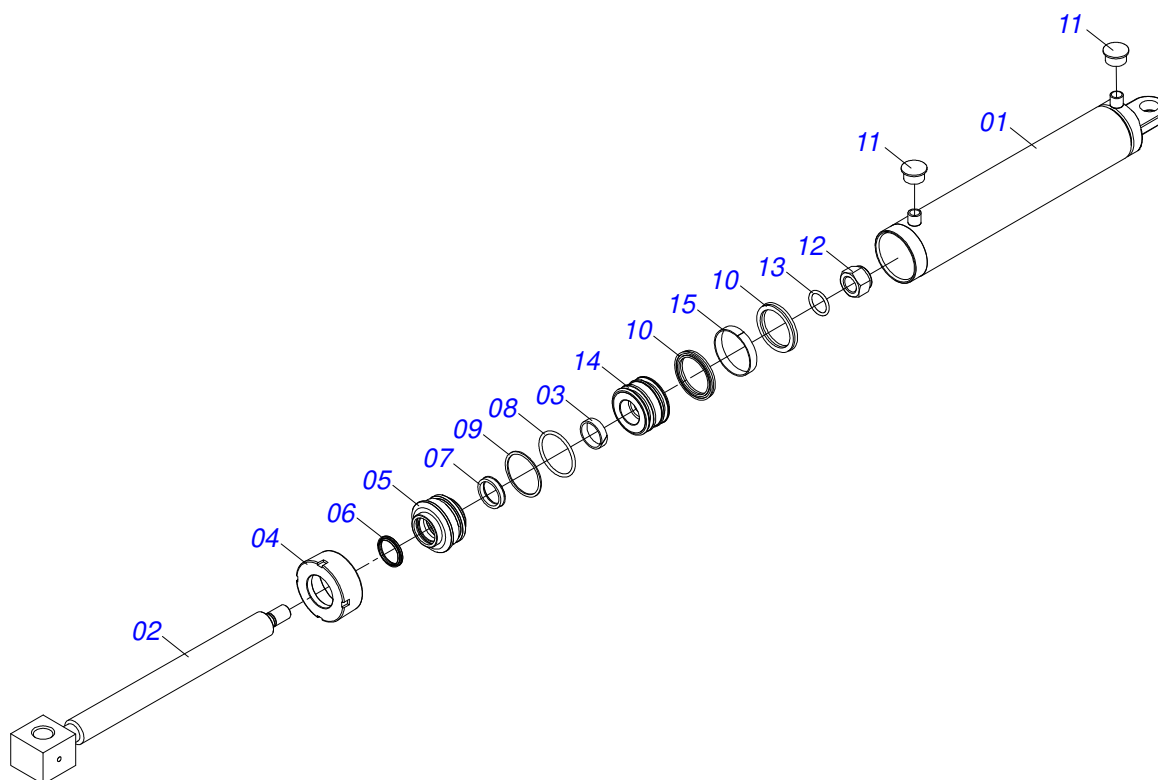
Item	Code	Description	See page	QT
01	0521064639	FRONT FRAME - 54		01
02	0521061282	REAR FRAME - 54		01
03	0511050413	DRAYBAR	2	01
04	0511060640	DRAWBAR ASSY		01
05	0521061058	ARM FRONT		01
06	0521061059	REAR ARM		01
07	0511048232	HYDRAULIC CILINDER CH	3	01
08	0511060177	PIN		04
09	0503010010	1/4" X 2.1/2" COTTERPIN		06
10	0531017203	PIN		02
11	0521014519	PIN WITH HEAD PN-009 3090092		02
12	0503031470	TM 251 X 4,0 STAPLE		02
13	0503013185	3/4" X 5-1/2" BOLT		02
14	0503012183	SNC 3/4" ZIN 1K03097 NUT		04
15	0511060205	SUPPORT HOSE CNS 20104N		01
16	0503012215	5/16" X 2-1/2" COTTERPIN		01
17	0502012702	BODY SUPPORT CLAMP		02
18	0503012555	SCREW 7/16 UNC X 2 CS RT G.7 ZN		02
19	0503010180	7/16" SPRING WASHER		02
20	0501058493	HOSE ASSY		01
20A	0501080651	3/8 X 5400 TM-TM HOSE		02
21	0501053834	MALE QUICK COUPLER WITH CAP - 1/2 NPT	4	02
22	0521013816	PIN SEM HEAD PN-052 3090523 ZN		01
23	0503010362	1/8" X 1.1/4" COTTERPIN		02
24	0503031498	SPRING		01
25	0511060204	CLEANER - OPTIONAL		42
26	0501010243	1/2" X 1-1/2" BOLT		80
27	0503010019	1/2" SPRING WASHER		80
28	0503010020	1/2"NUT		80
29	0501011432	1-1/2" AND 1-5/8 GANG BOLT WRENCH		02
30	0503010002	1800 GREASE FITTING		05



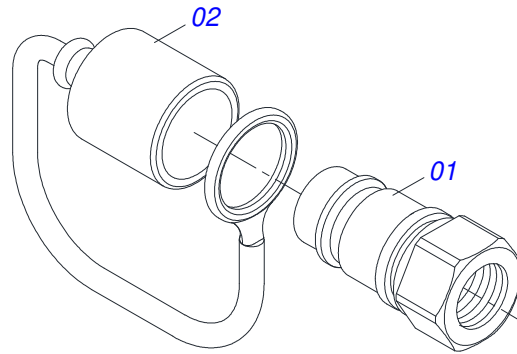
Item	Code	Description	See page	QT
31	0501047895	ROD STOP		03
32	0501047885	ROD STOP		01
33	0501047886	ROD STOP		01
34	0501047887	ROD STOP		01
35	0503031428	READ MANUAL DECAL		01
36	0503031738	ADHESIVE LABEL		01
37	0503033038	DANGER SIGN		01
38	0503031087	ADHESIVE LABEL		01
39	0503033954	ADHESIVE LABEL		01
40	0503033955	ADHESIVE LABEL		01
41	0503034003	SERIAL NUMBER TAG 61 X 118		01
42	0503010001	3.2 X 5.5 RIVET		04
43	0503034438	ADHESIVE LABEL		01
44	0503031739	ADHESIVE LABEL		01
45	0503033038	DANGER SIGN		01
46	0503033954	ADHESIVE LABEL		01
47	0503033955	ADHESIVE LABEL		01
48	0909095782	GANG DISC - 54D	5	01



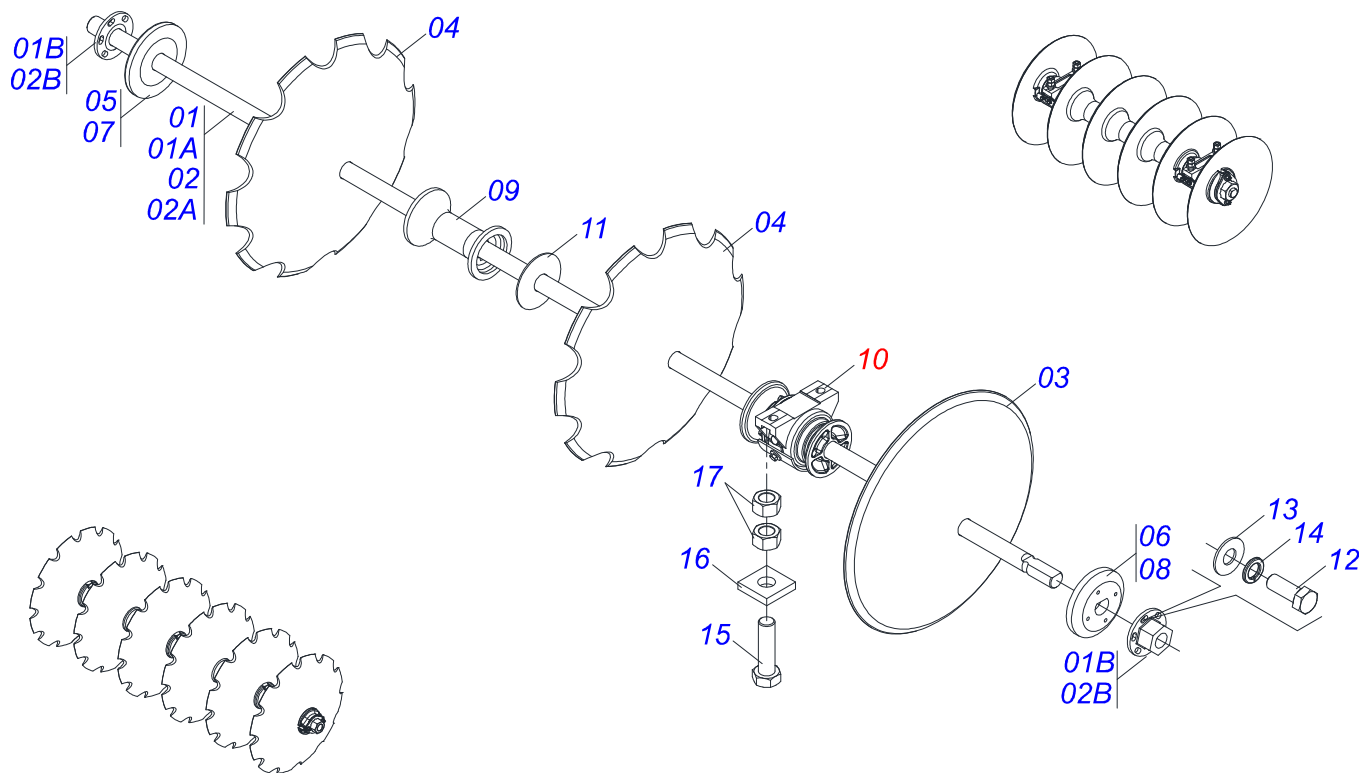
Item	Code	Description	See page	QT
01	0511060638	AXLE ASSY		01
02	0511060639	HOOK HITCH		01
03	0521014427	BOLT BORED		01
04	0503016586	CASTLE NUT		01
05	0503010067	3/16" X 2.1/2" COTTER PIN		01



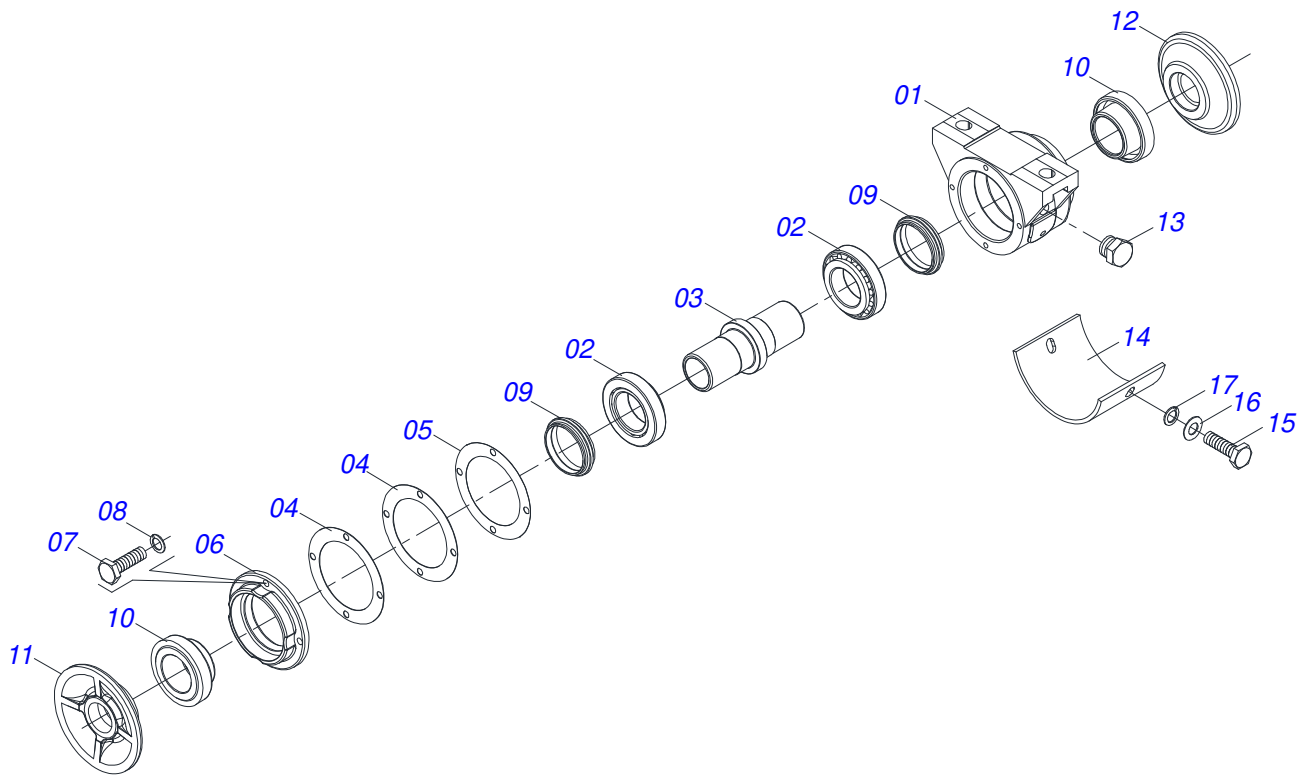
Item	Code	Description	See page	QT
01	0521061266	CYLINDER CASE		01
02	0521061265	SCARIFIER SPINDLE SET		01
03	0503010952	W2-2250-500 RING		01
04	0502010017	4" HEAD		01
05	0502010778	2" X 4.2" RING SUPPORT		01
06	0503010039	D-2000 SCRAPER RING		01
07	0503010991	1870-2000-375-B GASKET		01
08	0503010338	2-342 N 3006-9B O'RING		01
09	0503011061	8-342 BACK-UP RING		01
10	0503010043	PACKING 3750-3250		02
11	0503030384	CON PLUG N-001		02
12	0503010817	1.1/4" SELF LOCKING NUT		01
13	0503010345	2-218 N 3006-9B O'RING		01
14	0502010992	2.0" X 4.0" PISTON		01
15	0503010994	W2-4000-500 PK RING G.E		01



Item	Code	Description	See page	QT
01	0503011627	MALE QUICK COUPLER AGR 1/2 NPT		01
02	0503011882	MALE QUICK COUPLER CAP		01



Item	Code	Description	See page	QT
01	0511050305	AXLE DISC WITH NUTS		02
01A	0511060807	AXLE DISC		01
01B	0502011593	7" AXLE NUT		01
02	0511050778	AXLE DISC WITH NUTS		02
02A	0511060805	AXLE DISC		01
02B	0502011593	7" AXLE NUT		01
03	0601029406	22" X 4,5 PLAIN DISC BLADE		27
04	0602029409	22" X 4,5 NOTCHED DISC BLADE		27
05	0502011606	INNER FLANGE		02
06	0502011607	OUTER FLANGE		02
07	0502011608	INNER FLANGE		02
08	0502011609	OUTER FLANGE		02
09	0502011594	SPACER		38
10	0511040472	AGRICULTURAL BEARING	6	12
11	0521013879	GNC 57900 CHOCK		12
12	0503010237	3/8" X 1" BOLT		08
13	0501013518	FLAT WASHER		08
14	0503010025	3/8" SPRING WASHER		08
15	0503012246	5/8" X 2-3/4" BOLT		24
16	0521013775	FLAT WASHER		24
17	0503010129	5/8" NUT		48



Item	Code	Description	See page	QT
01	0502012014	BODY BEARING	01	01
02	0503010006	32210 ROLLER BEARING	02	02
03	0502040514	157,50 / 157,35 AXLE	01	01
04	0503031730	JOINT SEALING	02	02
05	0503031729	JOINT SEALING	01	01
06	0502012015	BEARING COVER	01	01
07	0503010371	5/16" X 1" BOLT	04	04
08	0503011444	SPRING WASHER	04	04
09	0503030026	SEAL LP JB-253	02	02
10	0502010541	SEAL RETAINER	02	02
11	0502010604	OUTER FLANGE	01	01
12	0502010605	INNER FLANGE	01	01
13	0503010856	OIL PLUG	01	01
14	0521013857	PLATE PROTECTION	01	01
15	0503011334	BOLT 3/8 UNC X 3/4 CS G.5 ZN	02	02
16	0501010984	FLAT WASHER	02	02
17	0503010025	3/8" SPRING WASHER	02	02



MARCHESAN

Technical Publications | Elaboration and Revision

LORENA ROCHA ALVES

www.marchesan.com.br

