

HINGE TYPE OFFSET DISK HARROW

GNPT HYDRAULIC - 72/84 - PA

Code: 0501093020

Series: S-0112

Revision: 00

Date Revision: MAIO/2021

PARTS CATALOGUE



MARCHESAN



PRODUCTS

Code	Description
0102500037	GNPT HID 72X22X4,50 DM DR S-0112
0102500038	GNPT HID 84X22X4,50 DM MT S-0112

ATTENTION: IMPORTANT

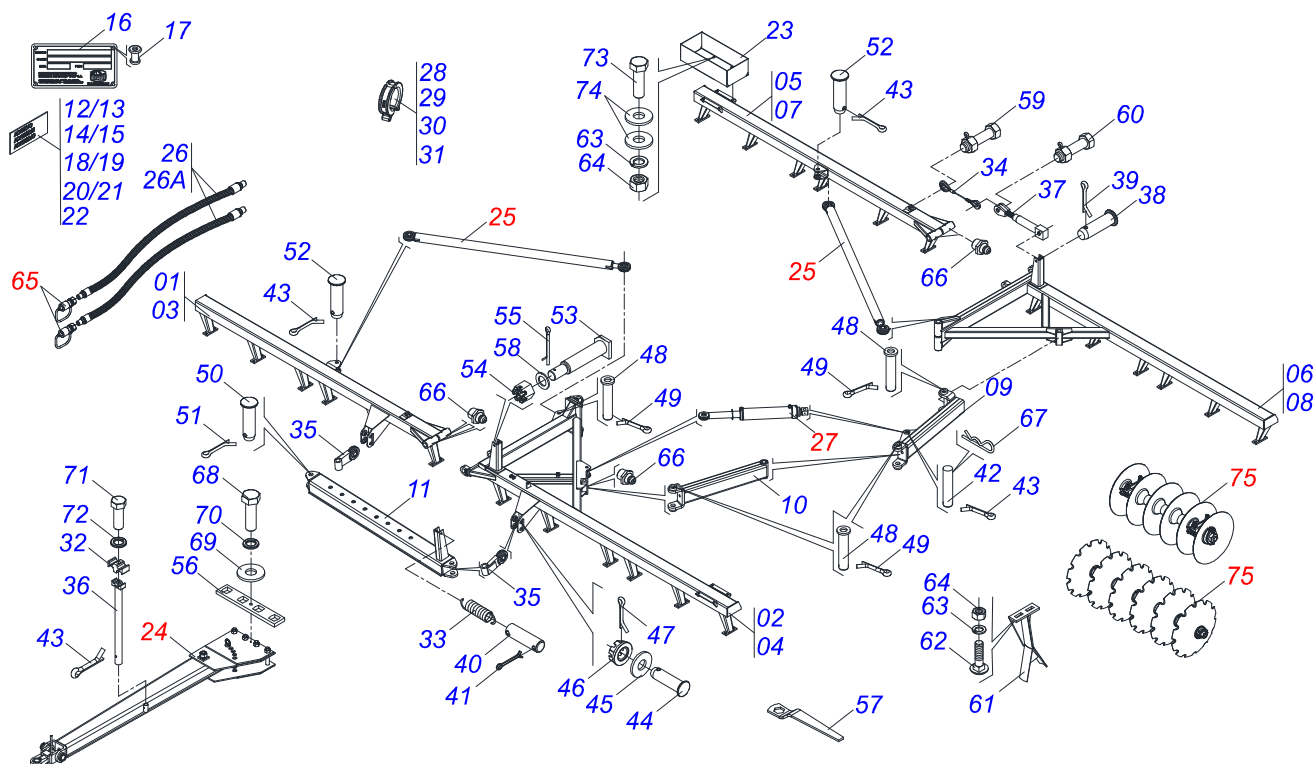
Marchesan S.A. reserves the right to improve and / or modify the technical features of its products, without obligation to do the same with those products already sold and without prior knowledge of the dealer or the consumer.



MARCHESAN

INDEX

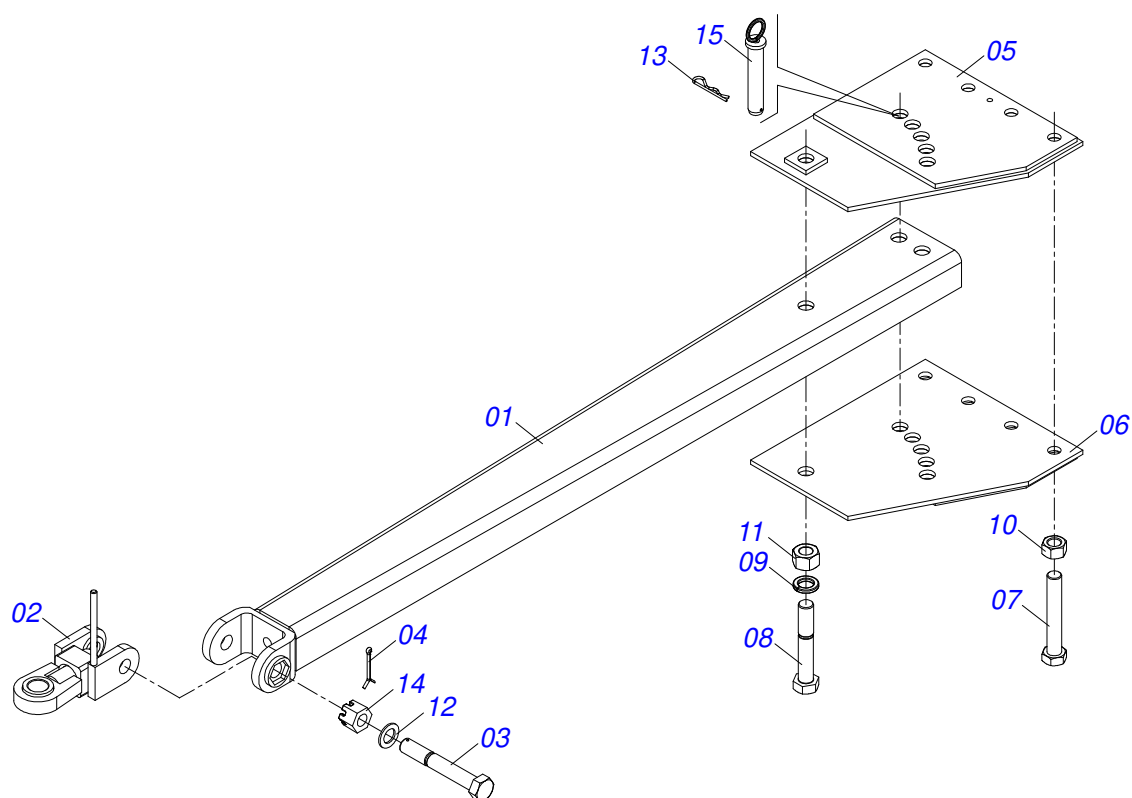
0909095779	ASSY FRAME - 72/84D	1
0511050314	AXLE ASSY	2
0521044085	ASSY EXTENSOR	3
0511046412	HYDRAULIC CYLINDER	4
0501053834	MALE QUICK COUPLER WITH CAP - 1/2 NPT	5
0909095780	GANG DISC - 72/84D	6
0511040472	AGRICULTURAL BEARING	7



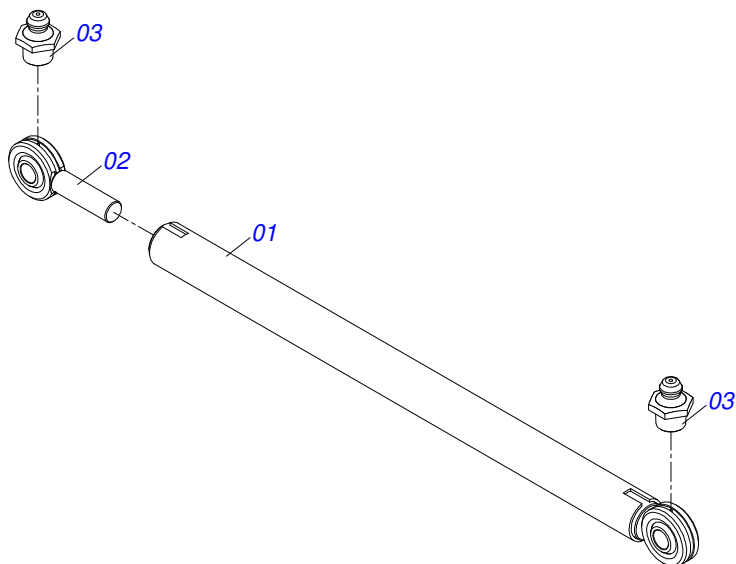
Item	Code	Description	See page	72 84
01	0521064661	FRONT FRAME - 72		01 00
02	0511062293	LEFT FRONT FRAME - 72		01 00
03	0521064662	FRONT FRAME		00 01
04	0511067973	LEFT FRONT FRAME - 84		00 01
05	0511062290	RIGHT REAR FRAME - 72		01 00
06	0511062291	LEFT REAR FRAME - 72		01 00
07	0511067971	RIGHT REAR FRAME - 84		00 01
08	0511067972	LEFT REAR FRAME - 84		00 01
09	0511062277	REAR ARM		01 01
10	0511062278	ARM FRONT		01 01
11	0511062279	DRAWBAR ASSY		01 01
12	0503033955	ADHESIVE LABEL		01 01
13	0503033038	DANGER SIGN		01 01
14	0503031738	ADHESIVE LABEL		01 01
15	0503031428	READ MANUAL DECAL		01 01
16	0503034003	SERIAL NUMBER TAG 61 X 118		01 01
17	0503010001	3.2 X 5.5 RIVET		04 04
18	0503034438	ADHESIVE LABEL		01 01
19	0503033954	ADHESIVE LABEL		01 01
20	0503031807	ADHESIVE LABEL		01 01
21	0503031087	ADHESIVE LABEL		01 01
22	0503031739	ADHESIVE LABEL		01 01
23	0511062276	WEIGHT BOX		02 02
24	0511050314	AXLE ASSY	2	01 01
25	0521044085	ASSY EXTENSOR	3	02 02
26	0501053218	HOSE ASSY		01 01
26A	0501080803	TM-TM HOSE ASSY		02
27	0511046412	HYDRAULIC CYLINDER	4	01 01
28	0501047895	ROD STOP		03 03
29	0501047885	ROD STOP		01 01
30	0501047886	ROD STOP		01 01



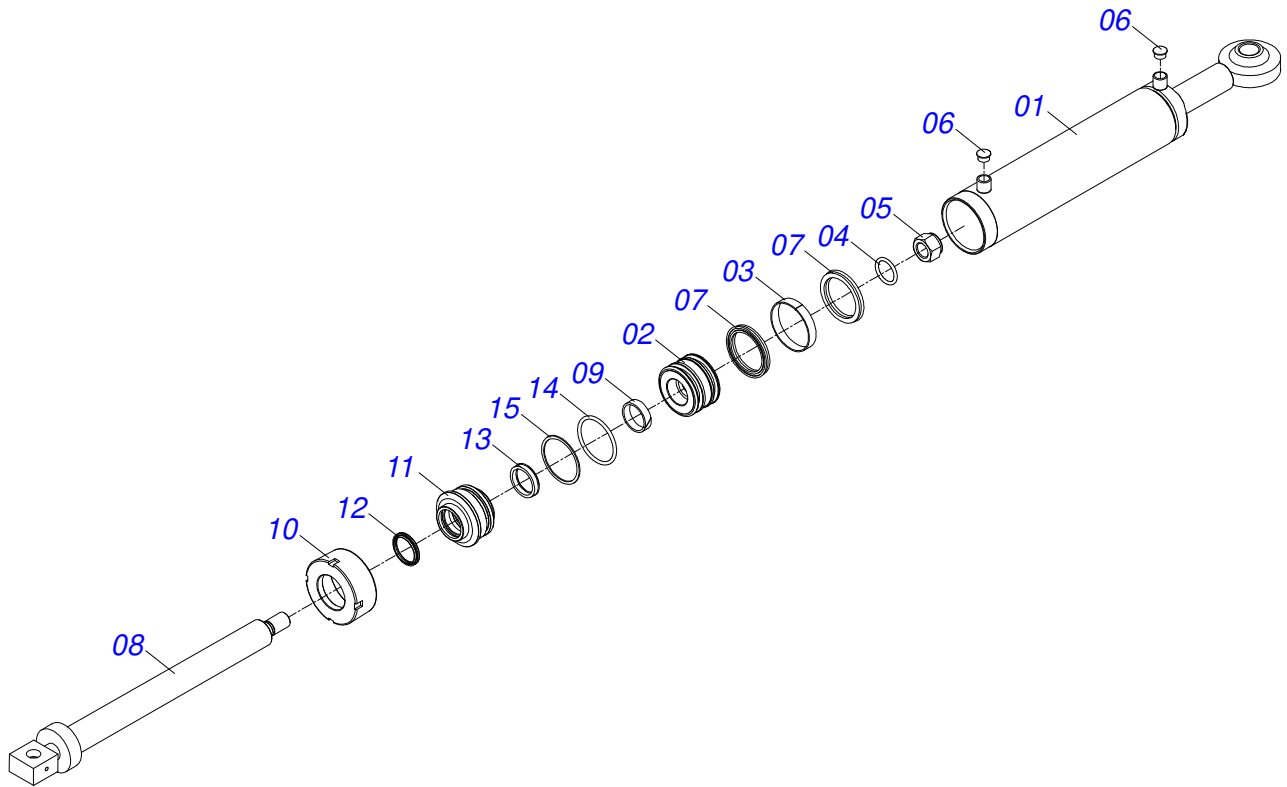
Item	Code	Description	See page	72	84
31	0501047887	ROD STOP		01	01
32	0502012702	BODY SUPPORT CLAMP		03	03
33	0503031511	SPRING		01	01
34	0503031648	STEEL CABLE		01	01
35	0511062282	HITCH BODY		02	02
36	0511060205	SUPPORT HOSE CNS 20104N		01	01
37	0521044092	CABLE STEEL TURNBUCKLE		02	02
38	0521016834	PIN WITH HEAD PN-006 3090065 ZN		02	02
39	0503010362	1/8" X 1.1/4" COTTERPIN		02	02
40	0521014140	PIN SEM HEAD PN-060 3090606 ZN		01	01
41	0503012215	5/16" X 2-1/2" COTTERPIN		01	01
42	0521014929	PIN WITH HEAD PN-034 3090349		02	02
43	0503010010	1/4" X 2.1/2" COTTERPIN		13	13
44	0521019898	PIN PN-217 3092173		02	02
45	0521012664	FLAT WASHER		02	02
46	0503012457	UNF 1.1/4" CASTLE NUT		02	02
47	0503010067	3/16" X 2.1/2" COTTER PIN		02	02
48	0511060259	PIN		03	03
49	0503012215	5/16" X 2-1/2" COTTERPIN		03	03
50	0511062274	PIN		04	04
51	0503012213	1/4" COTTERPIN		04	04
52	0511062275	PIN		02	02
53	0511062283	PIVOT PIN		03	03
54	0502011592	CASTLE NUT		03	03
55	0503012213	1/4" COTTERPIN		03	03
56	0521013774	GVMF LOCK		01	01
57	0501011432	1-1/2" AND 1-5/8 GANG BOLT WRENCH		02	02
58	0501012916	FLAT WASHER 38,50 X 66 X 4,75 ZN		03	03
59	0521013783	BOLT CABLE		03	03
60	0521013784	BOLT CABLE		03	03
61	0511060204	CLEANER - OPTIONAL		48	60
62	0503019588	BOLT		92	116
63	0503010019	1/2" SPRING WASHER		106	116
64	0503012682	1/2" BSW NUT		92	116
65	0501053834	MALE QUICK COUPLER WITH CAP - 1/2 NPT	5	02	02
66	0503010002	1800 GREASE FITTING		12	12
67	0503031470	TM 251 X 4,0 STAPLE		02	02
68	0501010108	5/8" X 1" BOLT		01	01
69	0501012140	FLAT WASHER		01	01
70	0503010027	5/8" SPRING WASHER		01	01
71	0503012555	SCREW 7/16 UNC X 2 CS RT G.7 ZN		03	03
72	0503010180	7/16" SPRING WASHER		03	03
73	0503010834	1/2 X 1 BOLT		04	04
74	0501010937	13.5 X 28 X 3 FLAT WASHER		12	12
75	0909095780	GANG DISC - 72/84D	6	01	01



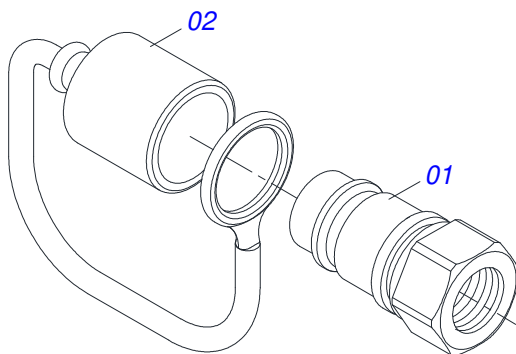
Item	Code	Description	See page	QT
01	0511062280	AXLE ASSY		01
02	0511063351	HITCH		01
03	0521013739	BOLT HARNESS		01
04	0503010010	1/4" X 2.1/2" COTTERPIN		01
05	0511060171	PLATE HITCH		01
06	0511060172	PLATE HITCH		01
07	0503012174	1-1/4" X 8-1/4" BOLT		04
08	0503012258	1-1/2" X 9" BOLT		01
09	0503010069	1.1/2" SPRING WASHER		01
10	0503012181	1.1/4" NUT		04
11	0503012259	UNC1.1/2" ZIN 1K03155 NUT		01
12	0501012916	FLAT WASHER 38,50 X 66 X 4,75 ZN		01
13	0503031479	STAPLE		01
14	0502011592	CASTLE NUT		01
15	0511060146	PIN FIXER		01



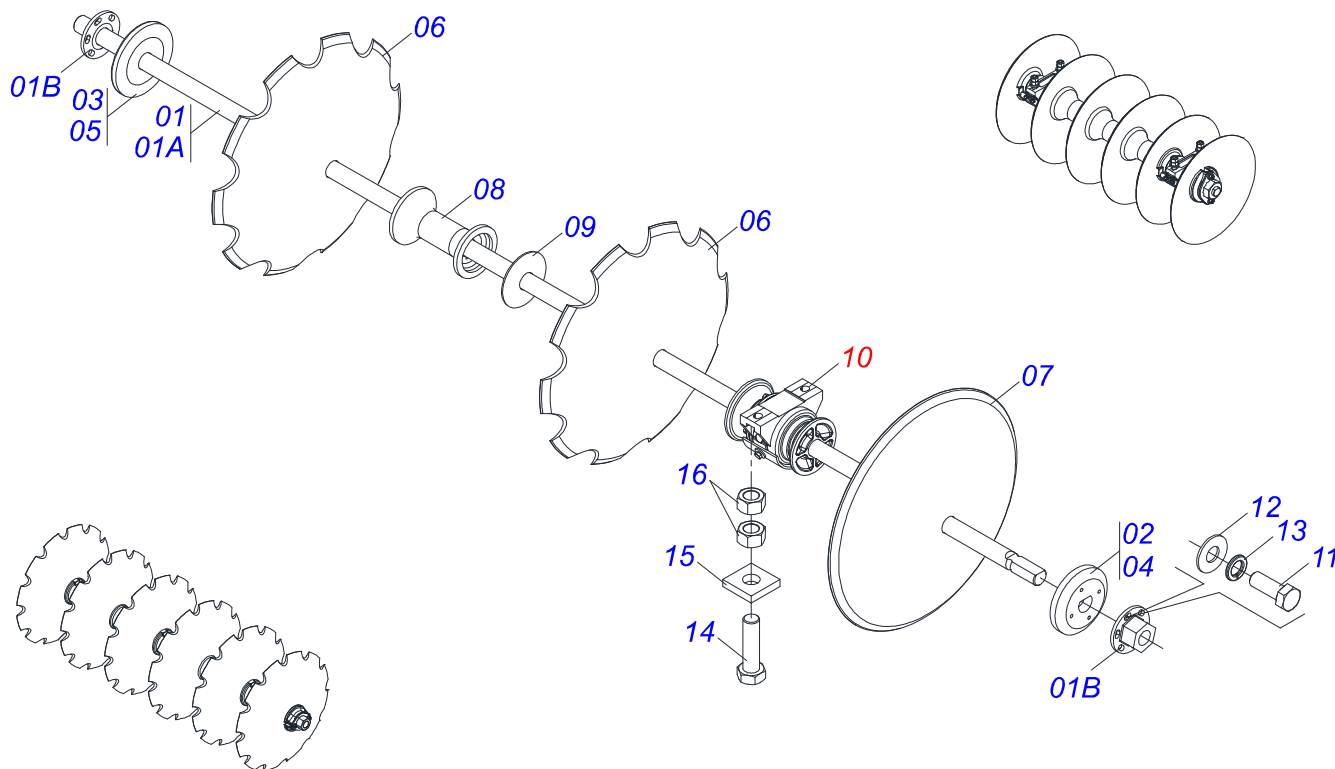
Item	Code	Description	See page	QT
01	0521064779	EXTENSOR BODY ASSY		01
02	0501074699	ASSY SCREW		01
03	0503010002	1800 GREASE FITTING		02
04	1882970002	GREASE SOAP		00



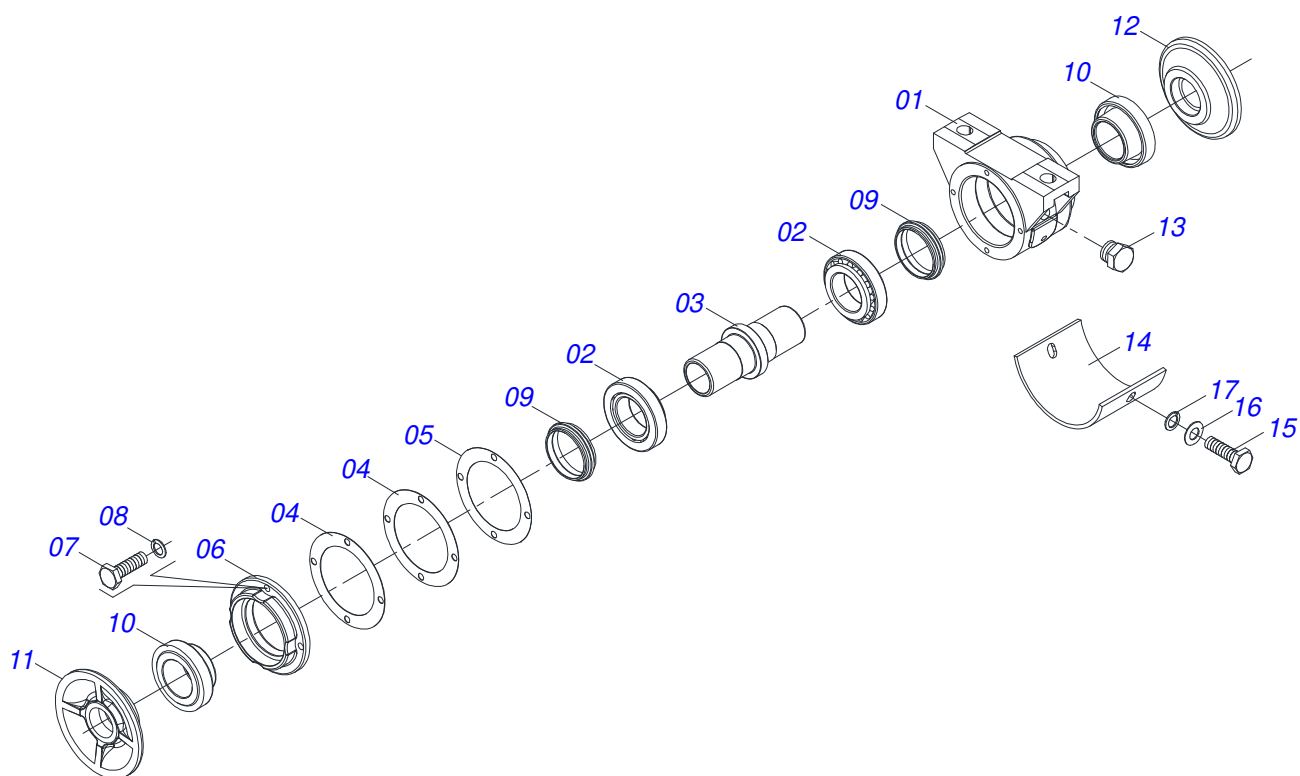
Item	Code	Description	See page	QT
01	0511069435	CYLINDER CASE		01
02	0502010992	2.0" X 4.0" PISTON		01
03	0503010994	W2-4000-500 PK RING G.E		01
04	0503010345	2-218 N 3006-9B O'RING		01
05	0503010817	1.1/4" SELF LOCKING NUT		01
06	0503030384	CON PLUG N-001		02
07	0503010043	PACKING 3750-3250		02
08	0511069434	SCARIFIER SPINDLE SET		01
09	0503010952	W2-2250-500 RING		01
10	0502010017	4" HEAD		01
11	0502010778	2" X 4.2" RING SUPPORT		01
12	0503010039	D-2000 SCRAPER RING		01
13	0503010991	1870-2000-375-B GASKET		01
14	0503010338	2-342 N 3006-9B O'RING		01
15	0503011061	8-342 BACK-UP RING		01



Item	Code	Description	See page	QT
01	0503011627	MALE QUICK COUPLER AGR 1/2 NPT		01
02	0503011882	MALE QUICK COUPLER CAP		01



Item	Code	Description	See page	72	84
01	0511051175	AXLE DISC WITH NUTS		08	08
01A	0511060780	AXLE DISC		01	01
01B	0502011593	7" AXLE NUT		01	01
02	0502011609	OUTER FLANGE		04	04
03	0502011608	INNER FLANGE		04	04
04	0502011607	OUTER FLANGE		04	04
05	0502011606	INNER FLANGE		04	04
06	0602029409	22" X 4,5 NOTCHED DISC BLADE		72	42
07	0601029406	22" X 4,5 PLAIN DISC BLADE		00	42
08	0502011594	SPACER		40	52
09	0521013879	GNC 57900 CHOCK		24	16
10	0511040472	AGRICULTURAL BEARING	7	24	24
11	0503010237	3/8" X 1" BOLT		16	16
12	0501013518	FLAT WASHER		16	16
13	0503010025	3/8" SPRING WASHER		16	16
14	0503012246	5/8" X 2-3/4" BOLT		48	48
15	0521013775	FLAT WASHER		48	48
16	0503010129	5/8" NUT		48	48



Item	Code	Description	See page	QT
01	0502012014	BODY BEARING		01
02	0503010006	32210 ROLLER BEARING		02
03	0502040514	157,50 / 157,35 AXLE		01
04	0503031730	JOINT SEALING		02
05	0503031729	JOINT SEALING		01
06	0502012015	BEARING COVER		01
07	0503010371	5/16" X 1" BOLT		04
08	0503011444	SPRING WASHER		04
09	0503030026	SEAL LP JB-253		02
10	0502010541	SEAL RETAINER		02
11	0502010604	OUTER FLANGE		01
12	0502010605	INNER FLANGE		01
13	0503010856	OIL PLUG		01
14	0521013857	PLATE PROTECTION		01
15	0503011334	BOLT 3/8 UNC X 3/4 CS G.5 ZN		02
16	0501010984	FLAT WASHER		02
17	0503010025	3/8" SPRING WASHER		02



MARCHESAN

Technical Publications | Elaboration and Revision

LORENA ROCHA ALVES

www.marchesan.com.br

