

HINGE TYPE OFFSET DISK HARROW

GNPT - MECHANICAL - 36/40/44/48/52/54D

Code: 0501093019

Series: S-0112

Revision: 00

Date Revision: MAIO/2021

PARTS CATALOGUE



MARCHESAN



PRODUCTS

Code	Description
0102500019	GNPT MEC 36X22X4,5 DM DR S-0112
0102500018	GNPT MEC 36X22X4,5 DM MT S-0112
0102500021	GNPT MEC 40X22X4,5 DM DR S-0112
0102500020	GNPT MEC 40X22X4,5 DM MT S-0112
0102500023	GNPT MEC 44X22X4,5 DM DR S-0112
0102500022	GNPT MEC 44X22X4,5 DM MT S-0112
0102500004	GNPT MEC 48 X 22 X 4,5 DM MT S-0112
0102500026	GNPT MEC 48X22X4,5 DM DR S-0112
0102500029	GNPT MEC 52X22X4,5 DM DR S-0112
0102500028	GNPT MEC 52X22X4,5 DM MT S-0112
0102500031	GNPT MEC 54X22X4,5 DM MT S-0112
0102500032	GNPT MEC 54X2X4,5 DM DR S-0112

ATTENTION: IMPORTANT

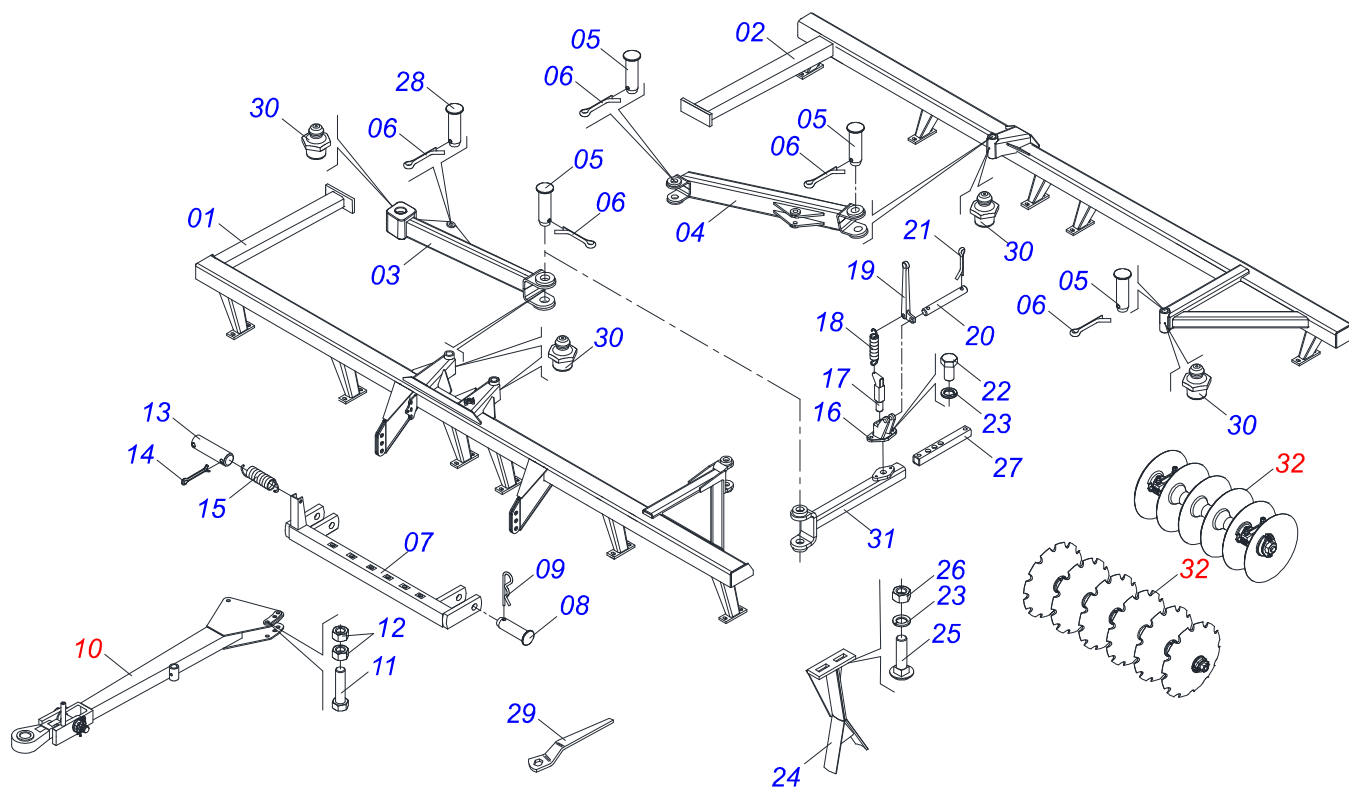
Marchesan S.A. reserves the right to improve and / or modify the technical features of its products, without obligation to do the same with those products already sold and without prior knowledge of the dealer or the consumer.



MARCHESAN

INDEX

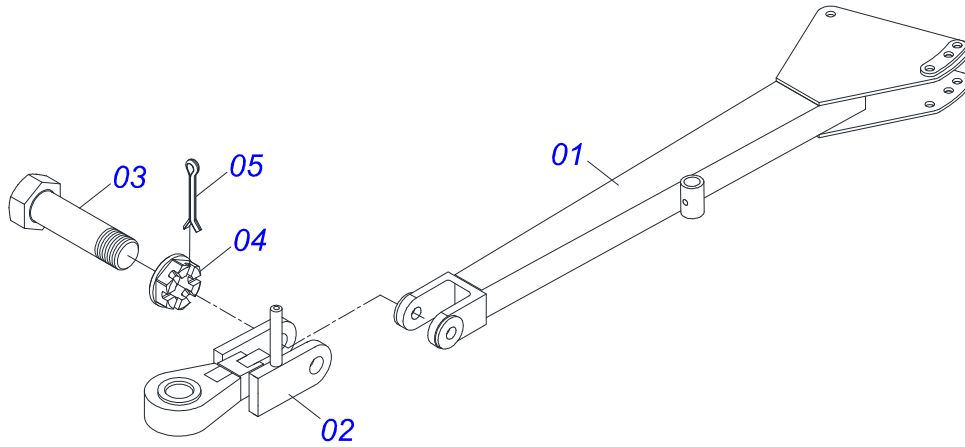
0909095772	ASSY FRAME - 36/40/44/48/52/54D	1
0511050413	DRAYBAR	2
0909095773	GANG DISC - 36/40/44/48/52/54D	3
0511040472	AGRICULTURAL BEARING	4



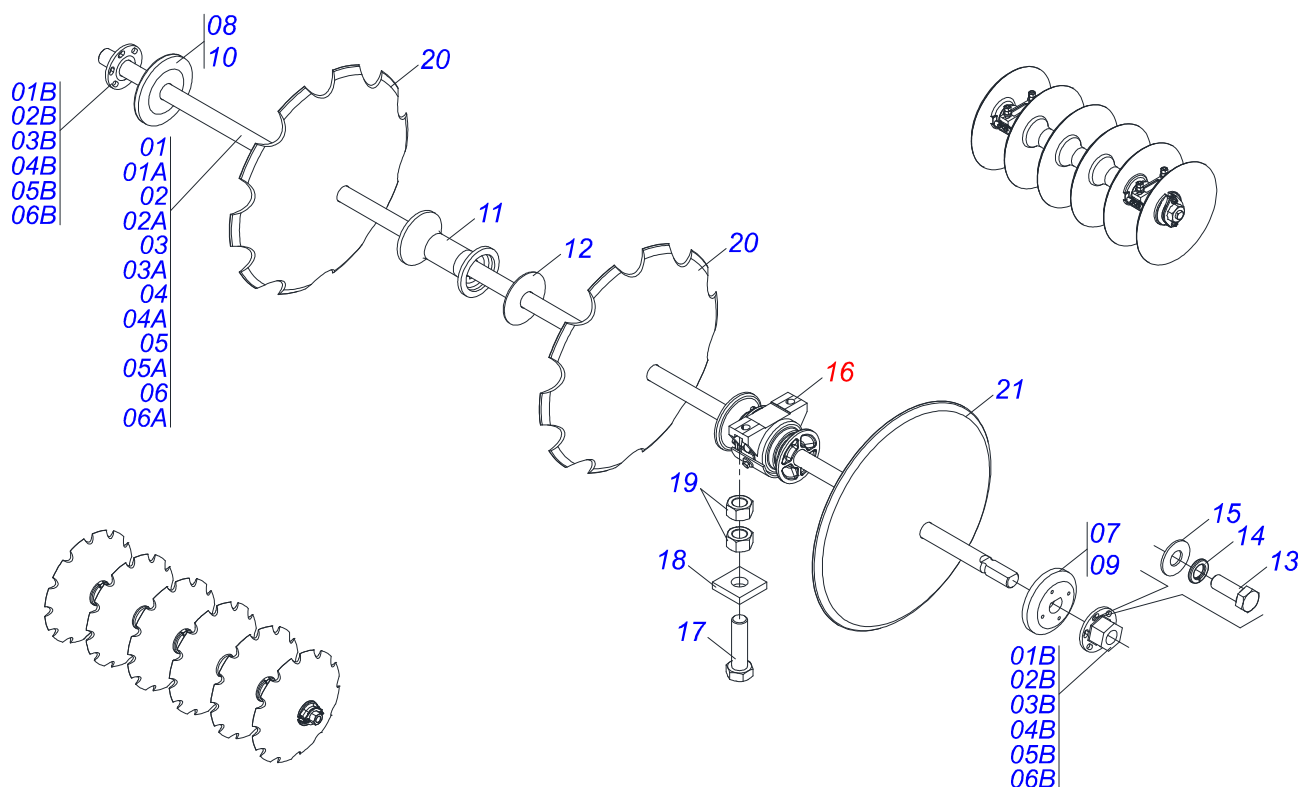
Item	Code	Description	See page	36	40	44	48	52	54
01	0521064785	FRONT FRAME - 36		01	00	00	00	00	00
01.	0521064786	FRONT FRAME - 40		00	01	00	00	00	00
01..	0521064787	FRONT FRAME - 44		00	00	01	00	00	00
01...	0521064660	FRONT FRAME - 48		00	00	00	01	00	00
01....	0521064788	FRONT FRAME - 52		00	00	00	00	01	00
01.....	0521064639	FRONT FRAME - 54		00	00	00	00	00	01
02	0511061863	REAR FRAME - 36		01	00	00	00	00	00
02.	0511060641	REAR FRAME - 40		00	01	00	00	00	00
02..	0521061280	REAR FRAME - 44		00	00	01	00	00	00
02...	0521061286	REAR FRAME - 48		00	00	00	01	00	00
02....	0521061284	REAR FRAME - 52		00	00	00	00	01	00
02.....	0521061282	REAR FRAME - 54		00	00	00	00	00	01
03	0511060637	ARM FRONT		01	01	00	00	00	00
03.	0521061058	ARM FRONT		00	00	01	01	01	01
04	0511060636	REAR ARM		01	01	00	00	00	00
04.	0521061059	REAR ARM		00	00	01	01	01	01
05	0511060177	PIN		05	05	05	05	05	05
06	0503010010	1/4" X 2.1/2" COTTERPIN		06	06	06	06	06	06
07	0511060640	DRAWBAR ASSY		01	01	01	01	01	01
08	0521014519	PIN WITH HEAD PN-009 3090092		02	02	02	02	02	02
09	0503031470	TM 251 X 4,0 STAPLE		02	02	02	02	02	02
10	0511050413	DRAYBAR	2	01	01	01	01	01	01
11	0503013185	3/4" X 5-1/2" BOLT		02	02	02	02	02	02
12	0503012183	SNC 3/4" ZIN 1K03097 NUT		04	04	04	04	04	04
13	0521013816	PIN SEM HEAD PN-052 3090523 ZN		01	01	01	01	01	01
14	0503010362	1/8" X 1.1/4" COTTERPIN		02	02	02	02	02	02
15	0503031542	SPRING		01	01	01	01	01	01
16	0502011828	GUIDE		01	01	01	01	01	01
17	0511061027	PIN LOCK		01	01	01	01	01	01
18	0503031545	SPRING		02	02	02	02	02	02
19	0502011826	ARM		01	01	01	01	01	01



Item	Code	Description	See page	36	40	44	48	52	54
20	0521013816	PIN SEM HEAD PN-052 3090523 ZN		02	02	02	02	02	02
21	0503010362	1/8" X 1.1/4" COTTERPIN		04	04	04	04	04	04
22	0501010155	1/2" X 1" BOLT		02	02	02	02	02	02
23	0503010019	1/2" SPRING WASHER		48	56	64	72	80	88
24	0511060204	CLEANER - OPTIONAL		28	28	32	36	40	44
25	0501010243	1/2" X 1-1/2" BOLT		44	40	60	68	76	84
26	0503010020	1/2"NUT		44	40	60	68	76	84
27	0521018183	PROLONG		01	01	00	00	00	00
27.	0561015085	EXTENSION		00	00	01	01	01	01
28	0521015434	PIN		01	01	01	01	01	01
29	0501011432	1-1/2" AND 1-5/8 GANG BOLT WRENCH		02	02	02	02	02	02
30	0503010002	1800 GREASE FITTING		09	09	09	09	09	09
31	0511061028	ADJUSTMENT BAR		01	01	00	00	00	00
31.	0521061278	ADJUSTMENT BAR		00	00	01	01	01	01
32	0909095773	GANG DISC - 36/40/44/48/52/54D	3	01	01	01	01	01	01



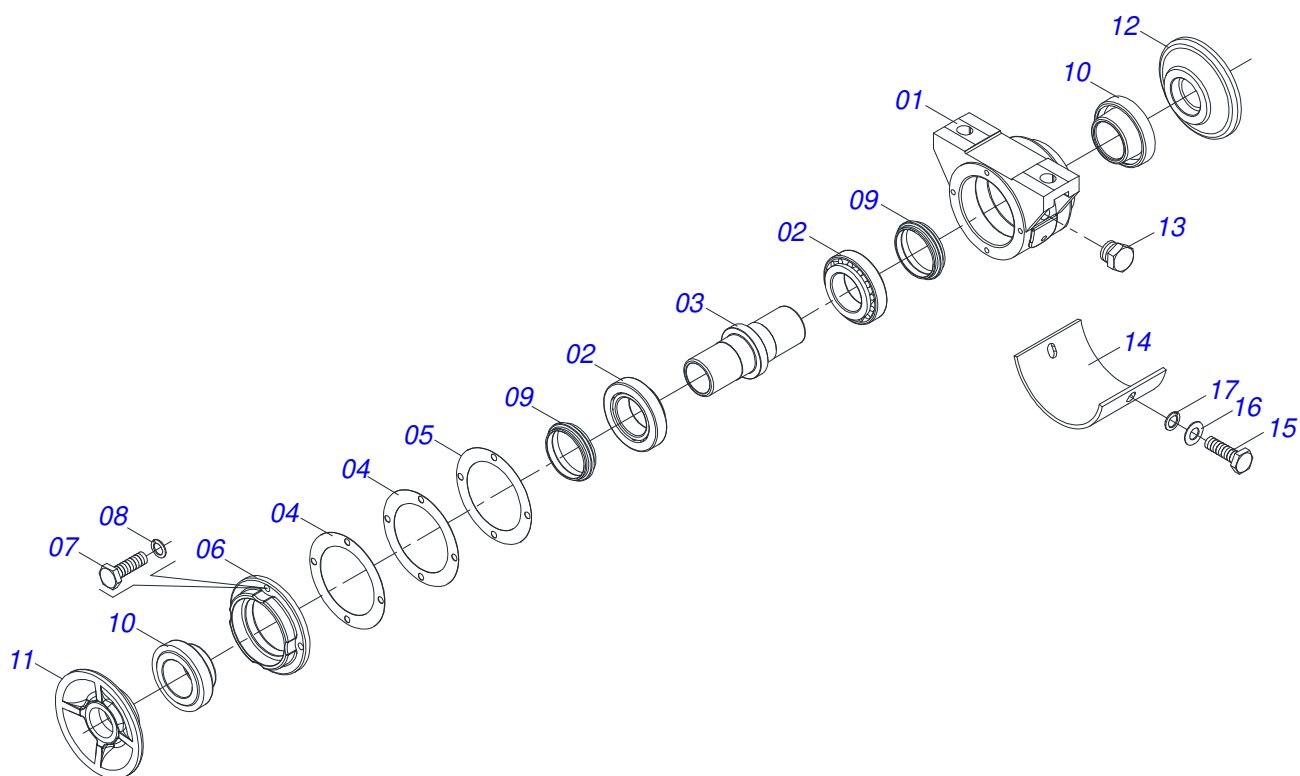
Item	Code	Description	See page	QT
01	0511060638	AXLE ASSY		01
02	0511060639	HOOK HITCH		01
03	0521014427	BOLT BORED		01
04	0503016586	CASTLE NUT		01
05	0503010067	3/16" X 2.1/2" COTTER PIN		01



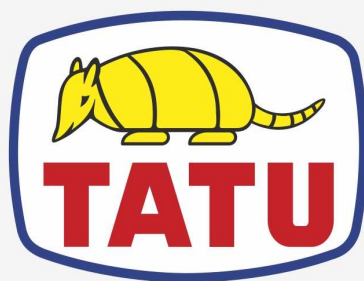
Item	Code	Description	See page	36	40	44	48	52	54
01	0511051175	AXLE DISC WITH NUTS		04	00	00	00	00	00
01A	0511060780	AXLE DISC		04	00	00	00	00	00
01B	0502011593	7" AXLE NUT		08	00	00	00	00	00
02	0511050313	AXLE DISC WITH NUTS		00	04	00	00	00	00
02A	0511060781	AXLE DISC		00	04	00	00	00	00
02B	0502011593	7" AXLE NUT		00	08	00	00	00	00
03	0511050184	AXLE DISC WITH NUTS		00	00	04	00	00	00
03A	0511060806	AXLE DISC		00	00	04	00	00	00
03B	0502011593	7" AXLE NUT		00	00	08	00	00	00
04	0511050329	AXLE DISC WITH NUTS		00	00	00	04	00	00
04A	0511060786	AXLE DISC		00	00	00	04	00	00
04B	0502011593	7" AXLE NUT		00	00	00	08	00	00
05	0511050778	AXLE DISC WITH NUTS		00	00	00	00	04	02
05A	0511060805	AXLE DISC		00	00	00	00	04	02
05B	0502011593	7" AXLE NUT		00	00	00	00	08	04
06	0511050305	AXLE DISC WITH NUTS		00	00	00	00	00	02
06A	0511060807	AXLE DISC		00	00	00	00	00	02
06B	0502011593	7" AXLE NUT		00	00	00	00	00	04
07	0502011609	OUTER FLANGE		02	02	02	02	02	02
08	0502011608	INNER FLANGE		02	02	02	02	02	02
09	0502011607	OUTER FLANGE		02	02	02	02	02	02
10	0502011606	INNER FLANGE		02	02	02	02	02	02
11	0502011594	SPACER		24	24	28	32	36	38
12	0521013879	GNC 57900 CHOCK		08	08	12	12	12	12
13	0503010237	3/8" X 1" BOLT		08	08	08	08	08	08
14	0503010025	3/8" SPRING WASHER		08	08	08	08	08	08
15	0501013518	FLAT WASHER		08	08	08	08	08	08
16	0511040472	AGRICULTURAL BEARING	4	08	12	12	12	12	12
17	0503012246	5/8" X 2-3/4" BOLT		16	24	24	24	24	24
18	0521013775	FLAT WASHER		16	24	24	24	24	24
19	0503010129	5/8" NUT		32	48	48	48	48	48



Item	Code	Description	See page	36	40	44	48	52	54
20	0602029409	22" X 4,5 NOTCHED DISC BLADE		36	40	44	48	52	54
21	0601029406	22" X 4,5 PLAIN DISC BLADE		18	20	00	24	26	27



Item	Code	Description	See page	QT
01	0502012014	BODY BEARING		01
02	0503010006	32210 ROLLER BEARING		02
03	0502040514	157,50 / 157,35 AXLE		01
04	0503031730	JOINT SEALING		02
05	0503031729	JOINT SEALING		01
06	0502012015	BEARING COVER		01
07	0503010371	5/16" X 1" BOLT		04
08	0503011444	SPRING WASHER		04
09	0503030026	SEAL LP JB-253		02
10	0502010541	SEAL RETAINER		02
11	0502010604	OUTER FLANGE		01
12	0502010605	INNER FLANGE		01
13	0503010856	OIL PLUG		01
14	0521013857	PLATE PROTECTION		01
15	0503011334	BOLT 3/8 UNC X 3/4 CS G.5 ZN		02
16	0501010984	FLAT WASHER		02
17	0503010025	3/8" SPRING WASHER		02



MARCHESAN

Technical Publications | Elaboration and Revision

LORENA ROCHA ALVES

www.marchesan.com.br

