

**OFFSET DISK HARROW**

**GAICR 300 - 20/22/24/26/28/30 - AXIS 1.3/4"**

**Code:** 0501093015

**Series:** S-0221

**Revision:** 00

**Date Revision:** MAIO/2021

# PARTS CATALOGUE



**MARCHESAN**



# PRODUCTS

Code	Description
0102460221	GAICR 300 30X28X7,50 DM RD DR S-0221
0102460169	GAICR 300 20 X 26 X 6,00 CM DR S-0221
0102460201	GAICR 300 20 X 26 X 6,00 CM RD DR S-0221
0102460162	GAICR 300 20 X 26 X 6,00 DM DR S-0221
0102460198	GAICR 300 20 X 26 X 6,00 DM RD DR S-0221
0102460168	GAICR 300 20 X 28 X 6,00 CM DR S-0221
0102460164	GAICR 300 20 X 28 X 6,00 DM DR S-0221
0102460167	GAICR 300 20 X 28 X 7,50 CM DR S-0221
0102460163	GAICR 300 20 X 28 X 7,50 DM DR S-0221
0102460165	GAICR 300 20 X 30 X 7,50 DM DR S-0221
0102460200	GAICR 300 20X28X6,00 CM RD DR S-0221
0102460197	GAICR 300 20X28X6,00 DM RD DR S-0221
0102460199	GAICR 300 20X28X7,50 CM RD DR S-0221
0102460196	GAICR 300 20X28X7,50 DM RD DR S-0221
0102460166	GAICR 300 20X30X7,50 DM DR 11L15 S-0221
0102460195	GAICR 300 20X30X7,50 DM RD DR S-0221
0102460187	GAICR 300 22 X 26 X 6,00 CM DR S-0221
0102460214	GAICR 300 22 X 26 X 6,00 CM RD DR S-0221
0102460184	GAICR 300 22 X 26 X 6,00 DM DR S-0221
0102460218	GAICR 300 22 X 26 X 6,00 DM RD DR S-0221
0102460186	GAICR 300 22 X 28 X 6,00 CM DR S-0221
0102460183	GAICR 300 22 X 28 X 6,00 DM DR S-0221
0102460185	GAICR 300 22 X 28 X 7,50 CM DR S-0221
0102460182	GAICR 300 22 X 28 X 7,50 DM DR S-0221
0102460180	GAICR 300 22 X 30 X 7,50 DM DR PN11L15 S-0221
0102460181	GAICR 300 22 X 30 X 7,50 DM DR S-0221
0102460213	GAICR 300 22X28X6,00 CM RD DR S-0221
0102460217	GAICR 300 22X28X6,00 DM RD DR S-0221
0102460219	GAICR 300 22X28X7,50 CM RD DR S-0221
0102460216	GAICR 300 22X28X7,50 DM RD DR S-0221

## ATTENTION: IMPORTANT

Marchesan S.A. reserves the right to improve and / or modify the technical features of its products, without obligation to do the same with those products already sold and without prior knowledge of the dealer or the consumer.



# PRODUCTS

0102460215	GAICR 300 22X30X7,50 DM RD DR S-0221
0102460160	GAICR 300 24 X 26 X 6,00 CM DR S-0221
0102460190	GAICR 300 24 X 26 X 6,00 CM RD DR S-0221
0102460157	GAICR 300 24 X 26 X 6,00 DM DR S-0221
0102460194	GAICR 300 24 X 26 X 6,00 DM RD DR S-0221
0102460159	GAICR 300 24 X 28 X 6,00 CM DR S-0221
0102460156	GAICR 300 24 X 28 X 6,00 DM DR S-0221
0102460179	GAICR 300 24 X 28 X 7,5 DM DR TER S-0221
0102460158	GAICR 300 24 X 28 X 7,50 CM DR S-0221
0102460155	GAICR 300 24 X 28 X 7,50 DM DR S-0221
0102460154	GAICR 300 24 X 30 X 7,50 DM DR S-0221
0102460188	GAICR 300 24X28X6,00 CM RD DR S-0221
0102460193	GAICR 300 24X28X6,00 DM RD DR S-0221
0102460161	GAICR 300 24X28X7,50 CM MT S-0221
0102460189	GAICR 300 24X28X7,50 CM RD DR S-0221
0102460192	GAICR 300 24X28X7,50 DM RD DR S-0221
0102460153	GAICR 300 24X30X7,50 DM DR PN 11L15 S-0221
0102460191	GAICR 300 24X30X7,50 DM RD DR S-0221
0102460178	GAICR 300 26 X 26 X 6,00 CM DR S-0221
0102460212	GAICR 300 26 X 26 X 6,00 CM RD DR S-0221
0102460177	GAICR 300 26 X 26 X 6,00 DM DR S-0221
0102460210	GAICR 300 26 X 26 X 6,00 DM RD DR S-0221
0102460176	GAICR 300 26 X 28 X 6,00 CM DR S-0221
0102460206	GAICR 300 26 X 28 X 6,00 CM RD DR S-0221
0102460172	GAICR 300 26 X 28 X 6,00 DM DR S-0221
0102460209	GAICR 300 26 X 28 X 6,00 DM RD DR S-0221
0102460175	GAICR 300 26 X 28 X 7,50 CM DR S-0221
0102460171	GAICR 300 26 X 28 X 7,50 DM DR S-0221
0102460173	GAICR 300 26 X 30 X 7,50 DM DR PN11L15 S-0221
0102460170	GAICR 300 26 X 30 X 7,50 DM DR S-0221
0102460211	GAICR 300 26X28X7,50 CM RD DR S-0221

## ATTENTION: IMPORTANT

Marchesan S.A. reserves the right to improve and / or modify the technical features of its products, without obligation to do the same with those products already sold and without prior knowledge of the dealer or the consumer.



# PRODUCTS

0102460174	GAICR 300 26X28X7,50 DM DR PN11L15 S-0221
0102460208	GAICR 300 26X28X7,50 DM RD DR S-0221
0102460207	GAICR 300 26X30X7,50 DM RD DR S-0221
0102460203	GAICR 300 28X28X7,5 DM RD DL S-0221
0102460205	GAICR 300 28X28X7,5 DM RD DR S-0221
0102460202	GAICR 300 28X30X7,5 DM RD DR S-0221
0102460204	GAICR 300 28X30X7,5 DM RD DR S/PNEU S-0221
0102460220	GAICR 300 30X30X7,50 DM RD DR S-0221

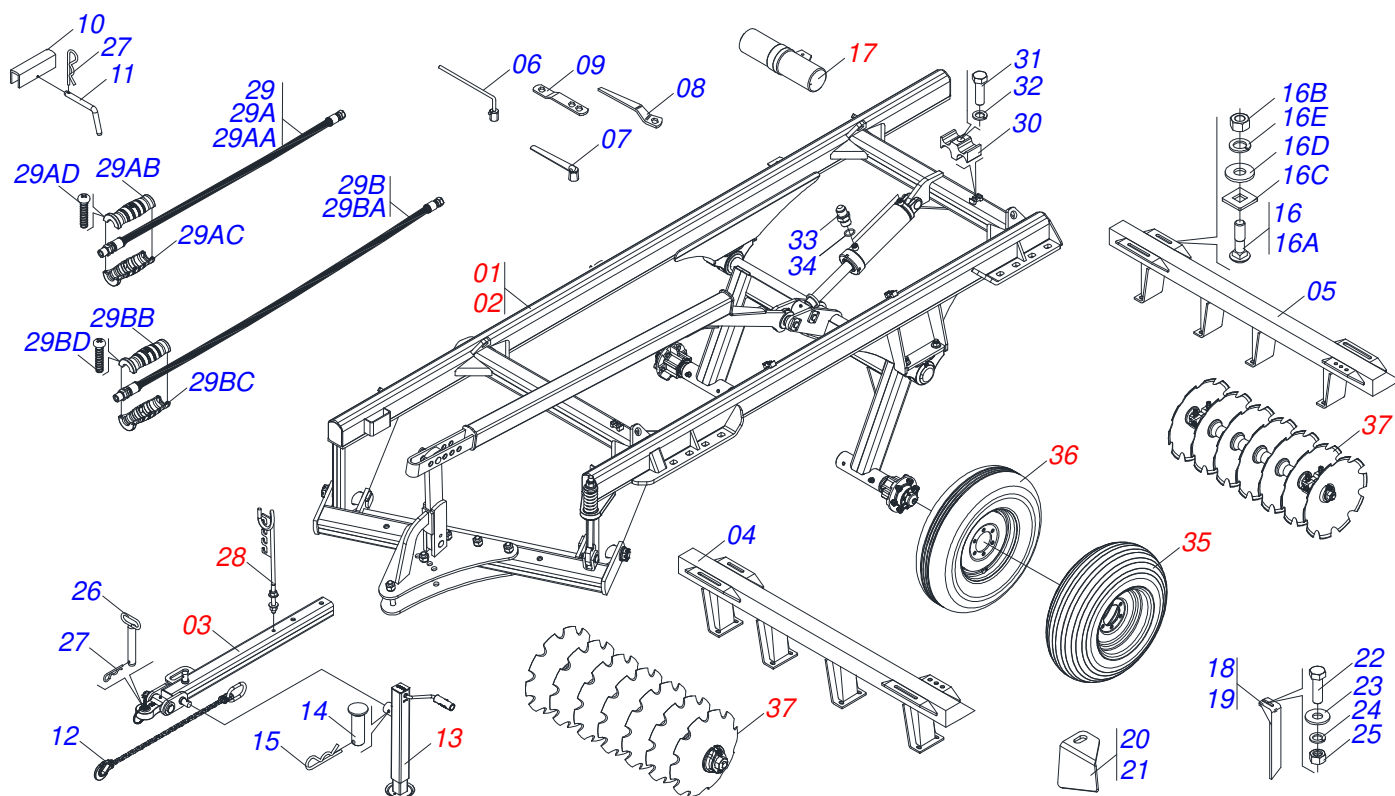
## ATTENTION: IMPORTANT

Marchesan S.A. reserves the right to improve and / or modify the technical features of its products, without obligation to do the same with those products already sold and without prior knowledge of the dealer or the consumer.



# INDEX

0909095767	ASSY FRAME - 20/22/24/26/28/30D	.....	1
0521049101	FRAME ASSY	.....	2
0521049104	FRAME ASSY	.....	3
0501054931	STUB SHAFT & HUB	.....	4
0501051142	CARRYING WHEEL HUB	.....	5
0511050166	HYDRAULIC CYLINDER (ACTUAL)	.....	6
0521048502	ASSY TRACTION BAR	.....	7
0521057520	HITCH ASSY	.....	8
0503062157	HEADER JACK	.....	9
0521055904	MANUAL STORAGE TUBE ASSY	.....	10
0501040257	3/4 X 1200 HOSE HOLDER A	.....	11
0503060181	WHEEL AND TIRE	.....	12
0503060091	L29.5"X0.63"-10L WHEEL AND	.....	13
0909095771	GANG DISC 20/22/24/26/28/30D	.....	14
0511042128	OIL BATH BEARING	.....	15



Item	Code	Description	See page	20	22	24	26	28	30
01	0521049101	FRAME ASSY	2	01	01	01	01	00	00
02	0521049104	FRAME ASSY	3	00	00	00	00	01	01
03	0521048502	ASSY TRACTION BAR	7	01	01	01	01	01	01
04	0511064960	FRONT FRAME		01	00	00	00	00	00
04.	0511064962	FRONT FRAME		00	01	00	00	00	00
04..	0511064964	FRONT FRAME		00	00	01	00	00	00
04...	0511064966	FRONT FRAME		00	00	00	01	00	00
04....	0521062633	FRONT FRAME		00	00	00	00	01	00
04.....	0521062636	FRONT FRAME 30		00	00	00	00	00	01
05	0511064961	REAR FRAME		01	00	00	00	00	00
05.	0511064963	REAR FRAME		00	01	00	00	00	00
05..	0511064965	REAR FRAME		00	00	01	00	00	00
05...	0511064967	REAR FRAME		00	00	00	01	00	00
05....	0521062630	REAR FRAME 28		00	00	00	00	01	00
05.....	0521062631	REAR FRAME		00	00	00	00	00	01
06	0503016140	3/4" WRENCH CABLE CYLINDRICAL		01	01	01	01	01	01
07	0501061617	1" GANG BOLT WRENCH		01	01	01	01	01	01
08	0501011431	1-3/4" GANG BOLT WRENCH		02	02	02	02	02	02
09	0511018451	5/8" X 3/4" X 1" UNIVERSAL		01	01	01	01	01	01
10	0551010280	253 TRANSPORT LOCK		01	01	01	01	01	01
11	0541016844	FIXER LOCK		01	01	01	01	01	01
12	0503013150	1300 X 3/8 CHAIN		01	01	01	01	01	01
13	0503062157	HEADER JACK	9	01	01	01	01	01	01
14	0521010549	COUPLING SHAFT		01	01	01	01	01	01
15	0503030285	HAIR PIN		01	01	01	01	01	01
16	0501040877	C1" X 3-1/4" ASSY BOLT		08	08	08	08	08	08
16A	0501010171	BOLT 1 UNC X 3.1/2 C S G.5		08	08	08	08	08	08
16B	0501010059	1.5/8 NUT		08	08	08	08	08	08
16C	0502012861	1" SQUARE WASHER		08	08	08	08	08	08
16D	0501010065	1" SPRING WASHER		08	08	08	08	08	08
16E	0503010012	1" SPRING WASHER		08	08	08	08	08	08

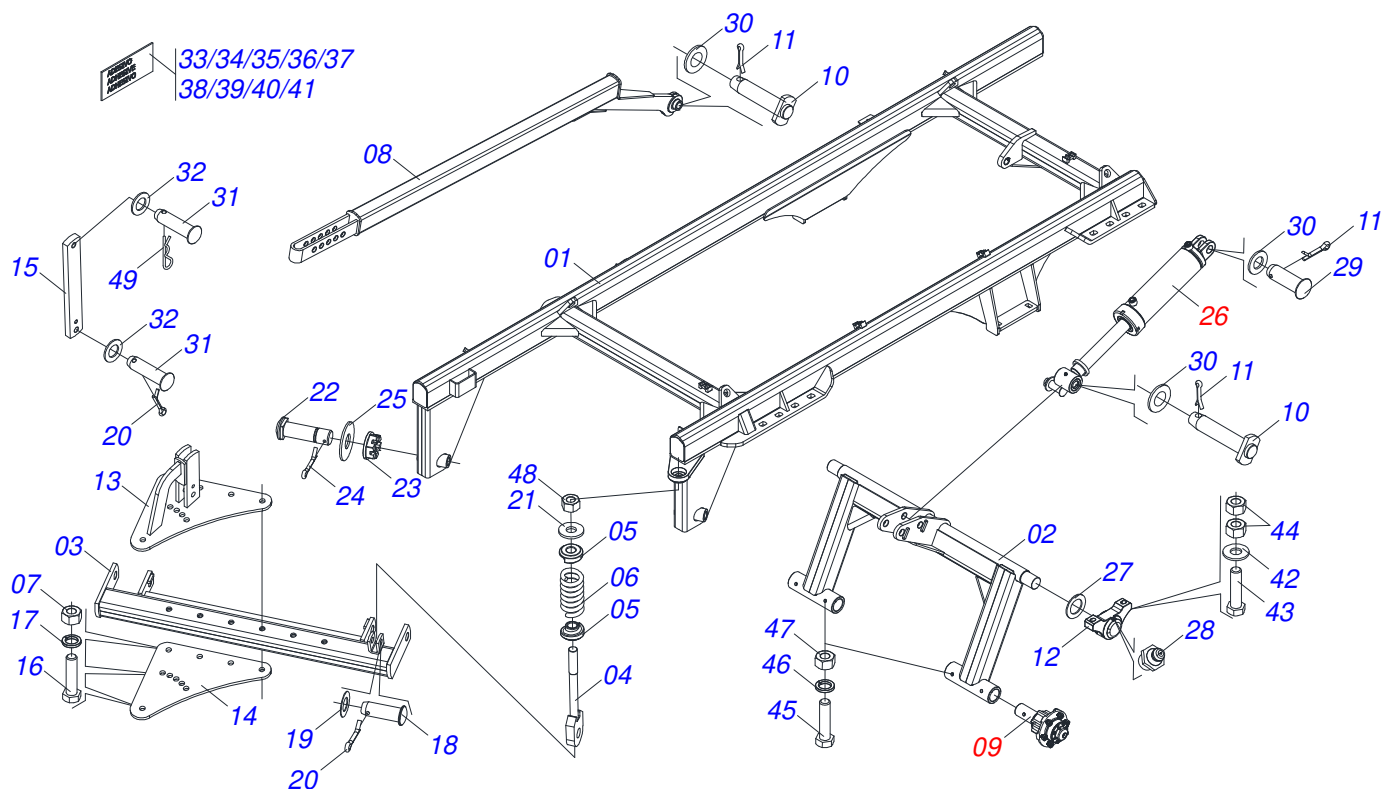


ASSY FRAME - 20/22/24/26/28/30D

0909095767

Item	Code	Description	See page	20	22	24	26	28	30
17	0521055904	MANUAL STORAGE TUBE ASSY	10	01	01	01	01	01	01
18	0501064168	REAR SCRAPER		05	06	07	08	09	08
19	0501064167	REAR SCRAPER		05	06	07	08	09	08
20	0561019424	REAR BEARING CLEANER		04	04	04	04	04	06
21	0561019423	FRONT LEVER CLEANER		04	04	04	04	04	06
22	0503011082	C1/2" X 1.3/4" SCREW		20	24	28	32	36	32
23	0511017302	FLAT WASHER		20	24	28	32	36	32
24	0503010019	1/2" SPRING WASHER		20	24	28	32	36	32
25	0503010060	1/2" NUT		20	24	28	32	36	32
26	0501069080	COUPLING SHAFT		01	01	01	01	01	01
27	0503030168	HAIR PIN		02	02	02	02	02	02
28	0501040257	3/4 X 1200 HOSE HOLDER A	11	01	01	01	01	01	01
29	0531050998	HOSE GAME		01	01	01	01	01	01
29A	0531050997	3/8 X 7000 TC-TM HOSE BLACK / BLUE		01	01	01	01	01	01
29AA	0501080477	HOSE 3/8 X 7012 TC-TM		01	01	01	01	01	01
29AB	0503034492	HYDRAULIC HOSE GRIP (BLACK)		01	01	01	01	01	01
29AC	0503034494	HYDRAULIC HOSE GRIP (BLUE)		01	01	01	01	01	01
29AD	0503018952	PLASTIC BOLT		03	03	03	03	03	03
29B	0531050996	3/8 X 6700 TC-TM HOSE BLACK / RED		01	01	01	01	01	01
29BA	0501080476	3/8" X 26" TC-TM HOSE ASSY		01	01	01	01	01	01
29BB	0503034495	HYDRAULIC HOSE GRIP (RED)		01	01	01	01	01	01
29BC	0503034492	HYDRAULIC HOSE GRIP (BLACK)		01	01	01	01	01	01
29BD	0503018952	PLASTIC BOLT		03	03	03	03	03	03
30	0502010477	HOSE CLAMP		04	04	04	04	04	04
31	0503011135	BOLT		04	04	04	04	04	04
32	0503010180	7/16" SPRING WASHER		04	04	04	04	04	04
33	0501010617	3/4" NIPPLE		02	02	02	02	02	02
34	0503010190	2-114 N 3006-9B O'RING		02	02	02	02	02	02
35	0503060181	WHEEL AND TIRE	12	02	02	02	02	02	02
36	0503060091	L29.5"X0.63"-10L WHEEL AND	13	02	02	02	02	02	02
37	0909095771	GANG DISC 20/22/24/26/28/30D	14	01	01	01	01	01	01

FRAME ASSY



Item	Code	Description	See page	QT
001	0521069680	FRAME		01
002	0521069679	600 X 1400 WHEEL		01
003	0521062532	CONNECTION BAR 1324		01
004	0501064698	SPRING ROD		01
005	1902020393	SPRING UPPER SUPPORT		02
006	0503030441	12.7" X 5.7" X 0.5"SPRING		01
007	0501010059	1.5/8 NUT		06
008	0521069682	STABILIZING BAR 2590		01
009	0501054931	STUB SHAFT & HUB	4	02
010	0521069685	AXLE JUNCTION 31.75 X 137		02
011	0503010523	1/4" X 2" COTTERPIN		03
012	0501110856	ARTICULACION BEARING		02
013	0521069686	TOP PLATE WITH SUPPORT		01
014	0521069137	LOWER PLATE FIXING BAR TRACTION		01
015	0581019738	STABILIZING BAR TOWER 650		01
016	0501010334	1" X 7" BOLT		06
017	0503011438	SPRING WASHER		06
018	0521010592	1.1" X 3.1" COUPLING SHAFT		01
019	0561011883	FLAT WASHER		01
020	0503010571	1/4" X 1.1/2 COTTERPIN		02
021	0531016049	FLAT WASHER		01
022	0531019497	1.5" X 9.2" ARTICULATED AXIS		02
023	0501011301	1.1/2 UNC 6FPP 2.5/16 NUT		02
024	0503010010	1/4" X 2.1/2" COTTERPIN		02
025	0551012215	FLAT WASHER		02
026	0511050166	HYDRAULIC CYLINDER (ACTUAL)	6	01
027	0501017579	FLAT WASHER		02
028	0503010002	1800 GREASE FITTING		05
029	0521010779	31.75 X 95 COUPLING SHAFT		01
030	0501017779	32 X 60 X 4.75 FLAT WASHER		03
031	0521010576	0.9" X 3.7" COUPLING SHAFT		02





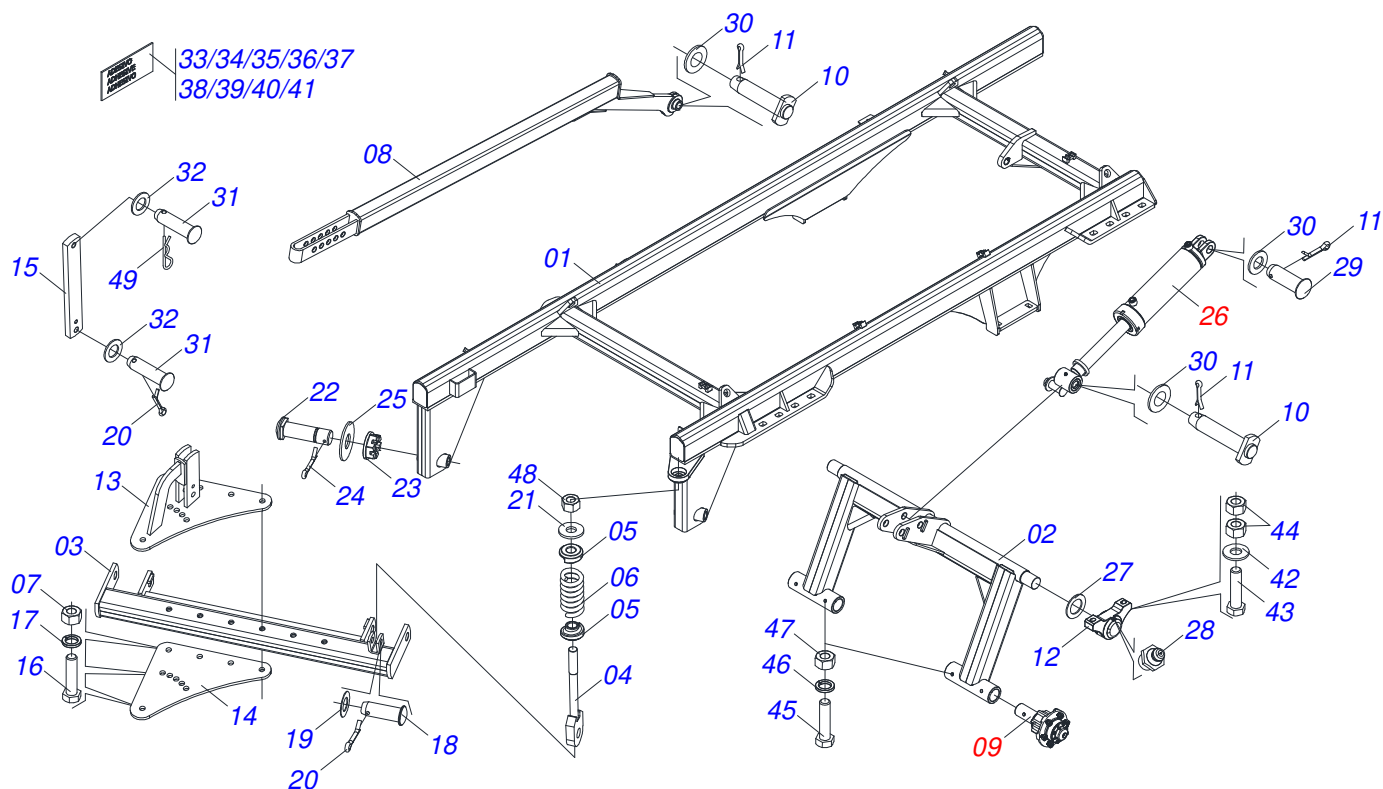
## FRAME ASSY

0521049101

Item	Code	Description	See page	QT
032	0501011445	FLAT WASHER		02
033	0503031428	READ MANUAL DECAL		01
034	0503031087	ADHESIVE LABEL		01
035	0503031827	LUBRICATE AND RETIGHTEN DAILY DECAL		01
036	0503060824	ASSY STICKER		01
037	0503034499	HOSE IDENTIFICATION DECAL		01
038	0503034078	LIFTING POINTS DECAL		04
039	0503033038	DANGER SIGN		01
040	0503031738	ADHESIVE LABEL		01
041	0503031739	ADHESIVE LABEL		01
042	0501010322	FLAT WASHER		04
043	0503011246	3/4" X 3-1/2" BOLT		04
044	0503011075	3/4" UNC NUT		04
045	0503010706	SCREW 1/2 UNC X 4.1/2 C S G.5 ZN		02
046	0521014188	FLAT WASHER		02
047	0503010589	1/2" UNC SELF ADJUSTING NUT		02
048	0503018754	1-8 UNC NUT		01
049	0503031035	HAIR PIN		01

FRAME ASSY

0521049104



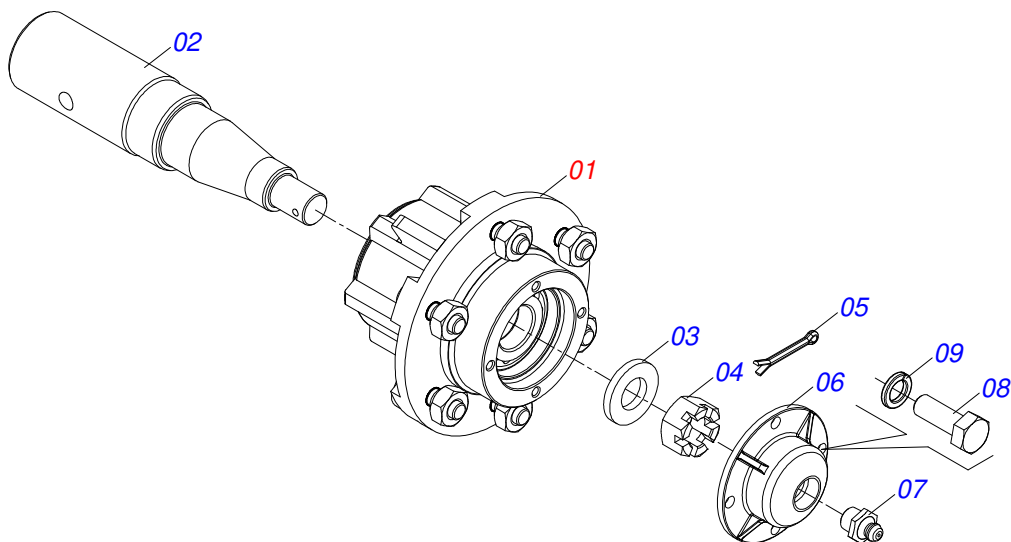
Item	Code	Description	See page	QT
001	0521069680	FRAME		01
002	0521069679	600 X 1400 WHEEL		01
003	0521062532	CONNECTION BAR 1324		01
004	0501064698	SPRING ROD		01
005	1902020393	SPRING UPPER SUPPORT		02
006	0503030441	12.7" X 5.7" X 0.5"SPRING		01
007	0501010059	1.5/8 NUT		06
008	0521069682	STABILIZING BAR 2590		01
009	0501054931	STUB SHAFT & HUB	4	04
010	0521069685	AXLE JUNCTION 31.75 X 137		02
011	0503010523	1/4" X 2" COTTERPIN		03
012	0501110856	ARTICULACION BEARING		02
013	0521069686	TOP PLATE WITH SUPPORT		01
014	0521069137	LOWER PLATE FIXING BAR TRACTION		01
015	0581019738	STABILIZING BAR TOWER 650		01
016	0501010334	1" X 7" BOLT		06
017	0503011438	SPRING WASHER		06
018	0521010592	1.1" X 3.1" COUPLING SHAFT		01
019	0561011883	FLAT WASHER		01
020	0503010571	1/4" X 1.1/2 COTTERPIN		02
021	0531016049	FLAT WASHER		01
022	0531019497	1.5" X 9.2" ARTICULATED AXIS		02
023	0501011301	1.1/2 UNC 6FPP 2.5/16 NUT		02
024	0503010010	1/4" X 2.1/2" COTTERPIN		02
025	0551012215	FLAT WASHER		02
026	0511050166	HYDRAULIC CYLINDER (ACTUAL)	6	01
027	0501017579	FLAT WASHER		02
028	0503010002	1800 GREASE FITTING		05
029	0521010779	31.75 X 95 COUPLING SHAFT		01
030	0501017779	32 X 60 X 4.75 FLAT WASHER		03
031	0521010576	0.9" X 3.7" COUPLING SHAFT		02



## FRAME ASSY

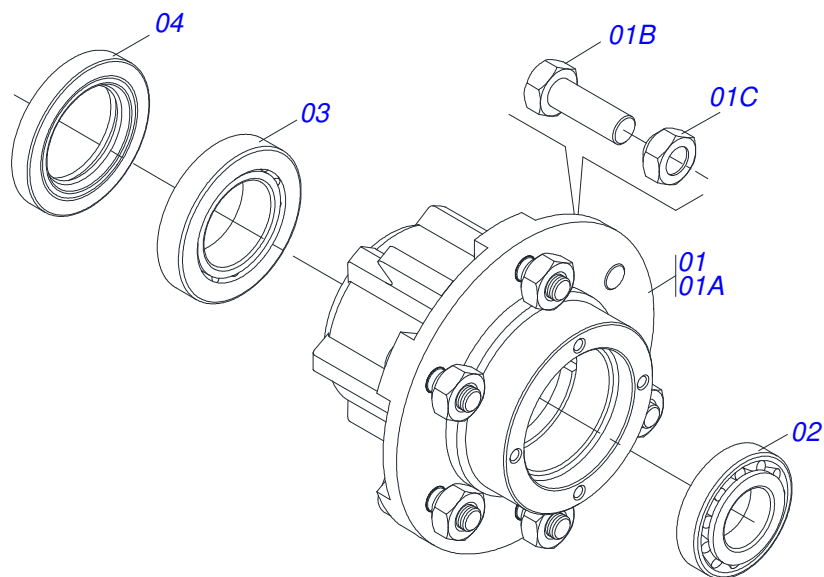
0521049104

Item	Code	Description	See page	QT
032	0501011445	FLAT WASHER		02
033	0503031428	READ MANUAL DECAL		01
034	0503031087	ADHESIVE LABEL		01
035	0503031827	LUBRICATE AND RETIGHTEN DAILY DECAL		01
036	0503060824	ASSY STICKER		01
037	0503034499	HOSE IDENTIFICATION DECAL		01
038	0503034078	LIFTING POINTS DECAL		04
039	0503033038	DANGER SIGN		01
040	0503031738	ADHESIVE LABEL		01
041	0503031739	ADHESIVE LABEL		01
042	0501010322	FLAT WASHER		04
043	0503011246	3/4" X 3-1/2" BOLT		04
044	0503011075	3/4" UNC NUT		04
045	0503010706	SCREW 1/2 UNC X 4.1/2 C S G.5 ZN		04
046	0521014188	FLAT WASHER		04
047	0503010589	1/2" UNC SELF ADJUSTING NUT		04
048	0503018754	1-8 UNC NUT		01
049	0503031035	HAIR PIN		01

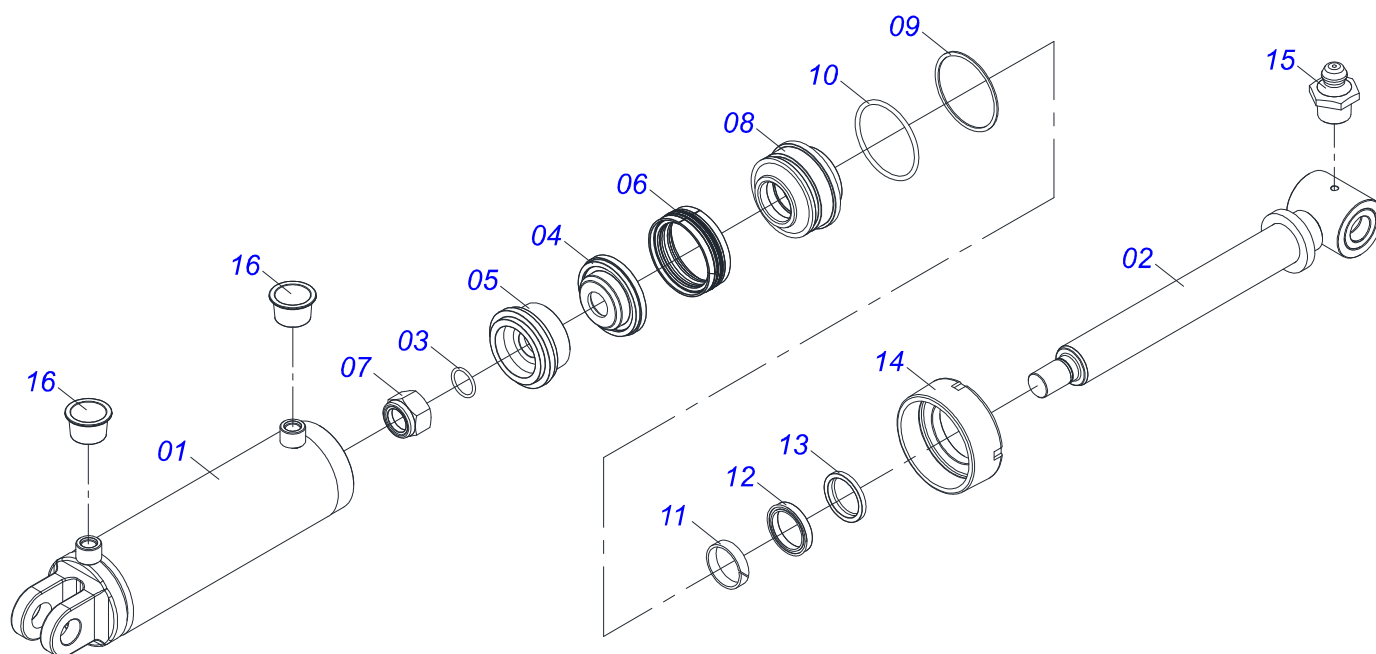


Item	Code	Description	See page	QT
01	0501051142	CARRYING WHEEL HUB	5	01
02	0541010739	2.5" X 12.2" AXLE		01
03	0501016545	FLAT WASHER		01
04	0503030009	1" CASTLE NUT		01
05	0503010018	5/32 X 1-1/2 COTTERPIN		01
06	0502020591	PROTECCION COVER		01
07	0503010002	1800 GREASE FITTING		01
08	0503010358	5/16" X 5/8" BOLT		04
09	0503011444	SPRING WASHER		04

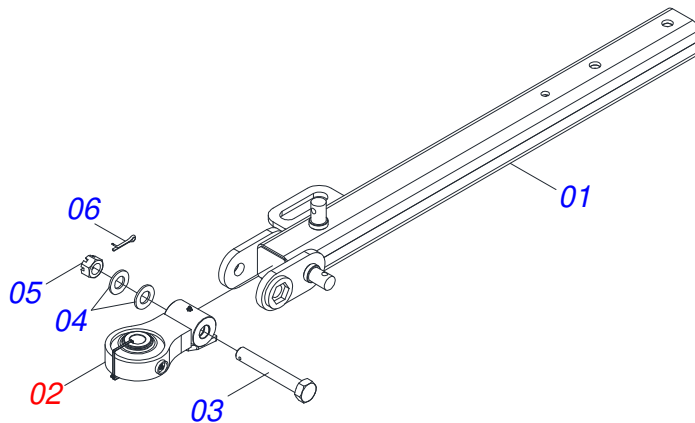
CARRYING WHEEL HUB



Item	Code	Description	See page	QT
01	0501110728	WHEEL HUB		01
01A	0502011121	CARRYING WHEEL HUB		01
01B	0501010127	9/16" X 1-7/8" LUG BOLT		06
01C	0503010035	9/16" CONIC NUT		06
02	0503010037	30207 ROLLER BEARING		01
03	0503010006	32210 ROLLER BEARING		01
04	0503012928	SEAL		01

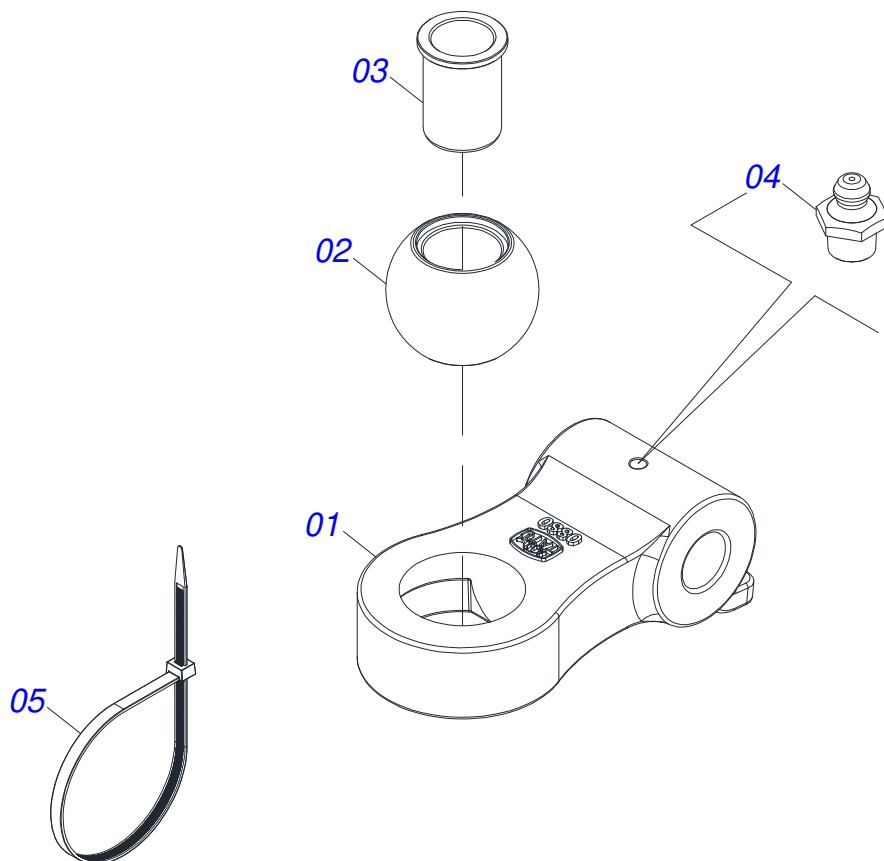


Item	Code	Description	See page	QT
01	0511066220	101,60 X 369 CYLINDER CASE		01
02	0511067445	50,8 X 452,5 TURNBUCLE		01
03	0503010345	2-218 N 3006-9B O'RING		01
04	0561016389	PISTON BODY		01
05	0561016387	PISTON BODY		01
06	0503015633	SELEMASTER SEALING		01
07	0503010817	1.1/4" SELF LOCKING NUT		01
08	0502012642	SUPPORT OF THE RINGS		01
09	0503011061	8-342 BACK-UP RING		01
10	0503010338	2-342 N 3006-9B O'RING		01
11	0503015634	RING SLYDRING		01
12	0503015635	U-CUP SEAL		01
13	0503015636	SCRAPER SEAL		01
14	0502010017	4" HEAD		01
15	0503010002	1800 GREASE FITTING		01
16	0503030384	CON PLUG N-001		02
17	0501039361R	REPAIR KIT		01



Item	Code	Description	See page	QT
01	0521069165	DRAWBAR ASSY		01
02	0521057520	HITCH ASSY	8	01
03	0581015973	1.1/4 UNC X 8 C S G5 SCREW		01
04	0501017779	32 X 60 X 4.75 FLAT WASHER		02
05	0503013026	1.1/4" CASTLE NUT		01
06	0503010010	1/4" X 2.1/2" COTTERPIN		01

HITCH ASSY

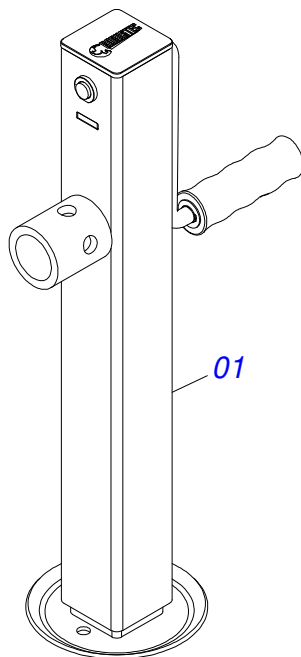


Item	Code	Description	See page	QT
01	0502040880	HITCH BODY		01
02	0502040885	BODY ATTACHMENT		01
03	0591012511	SLEEVE		01
04	0503010002	1800 GREASE FITTING		01
05	0503018829	NYLON CLAMP		01

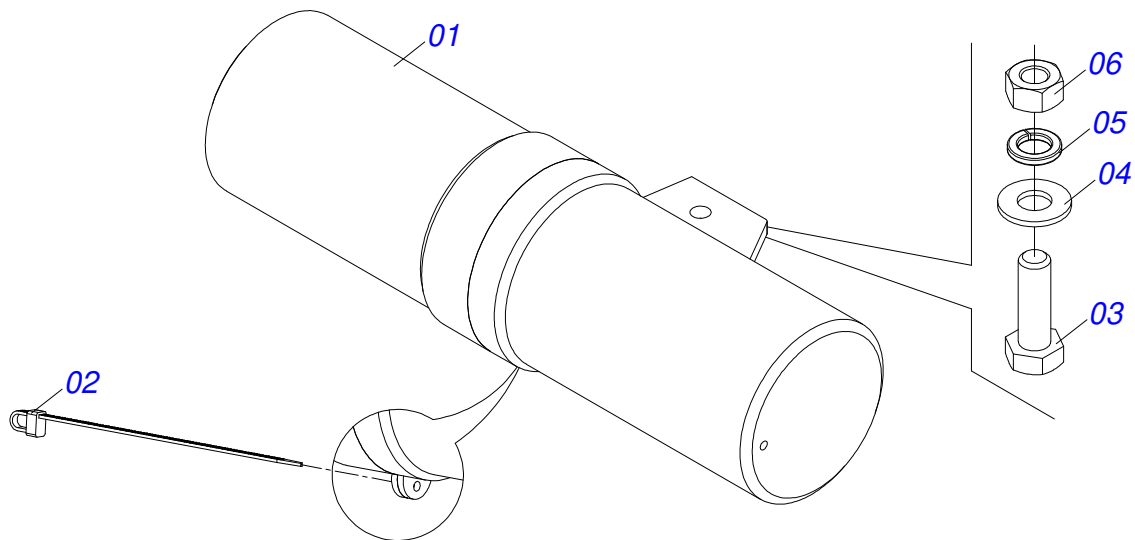


HEADER JACK

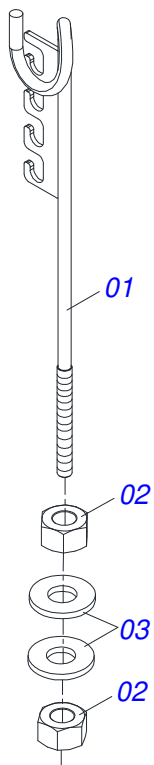
0503062157



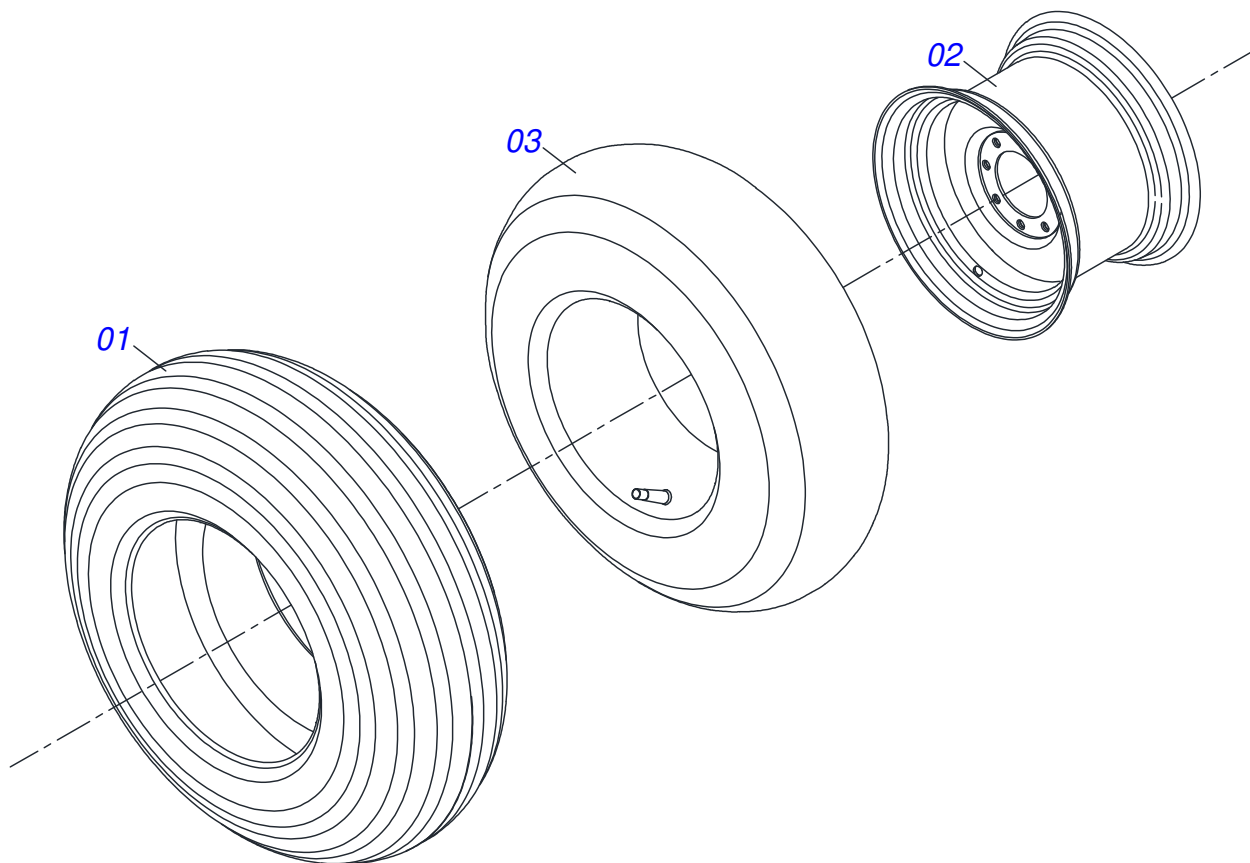
Item	Code	Description	See page	QT
01	0503062157	HEADER JACK	9	01



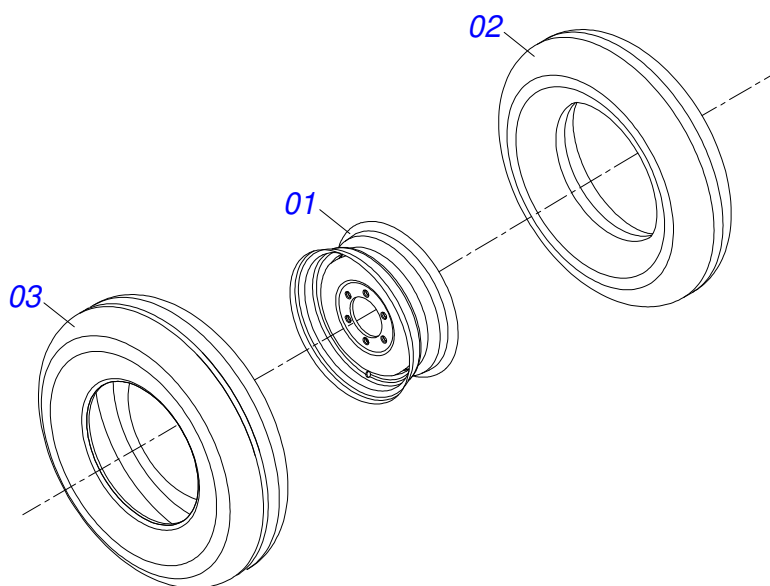
Item	Code	Description	See page	QT
01	0503060100	OPERATOR'S MANUAL STORAGE TUBE		01
02	0503010267	NYLON CLAMP		01
03	0503010363	5/16" X 1" BOLT		01
04	0501010694	8.5 X 18 X 1.5 FLAT WASHER		01
05	0503010179	5/16" ZN SPRING WASHER		01
06	0503010337	5/16" NUT		01



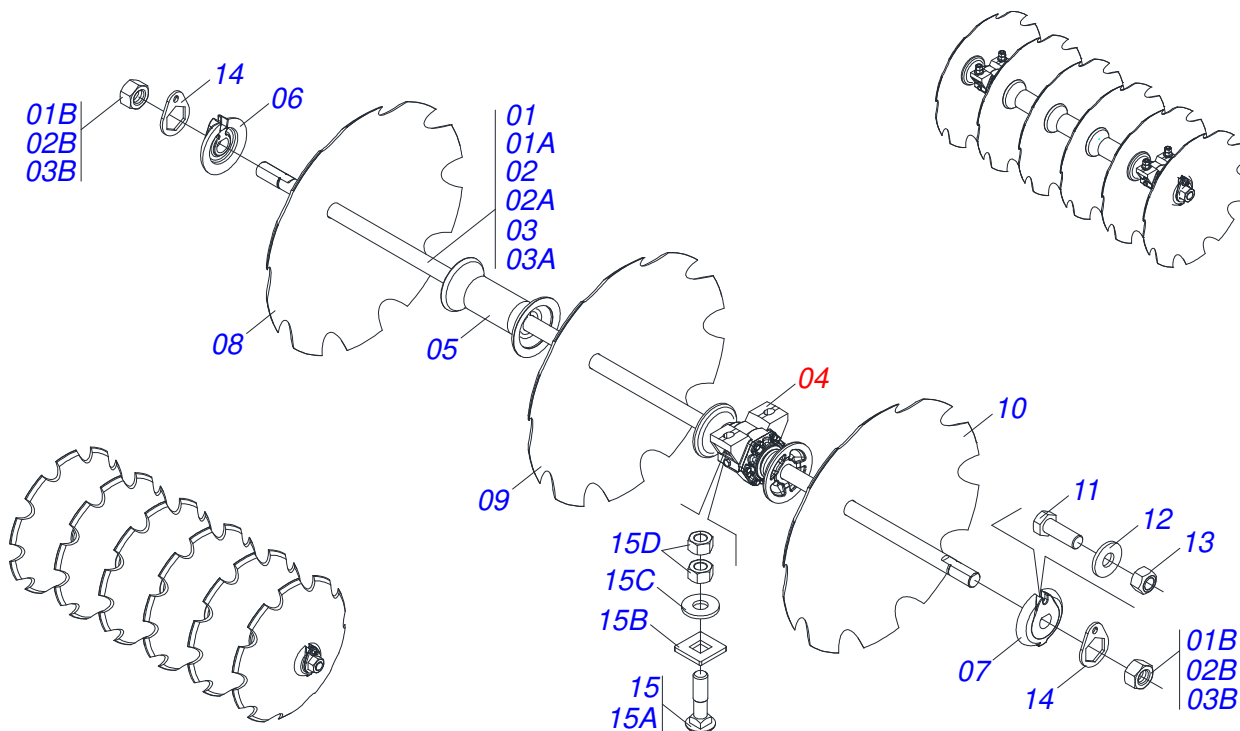
Item	Code	Description	See page	QT
01	0511067334	HOSE SOPPORT ASSY		01
02	0503010014	3/4" NUT		02
03	0501010322	FLAT WASHER		02



Item	Code	Description	See page	QT
01	0503010858	CANVAS TIRE		01
02	0503011468	WEEL		01
03	0503010860	CAMARA AR 11L 15		01

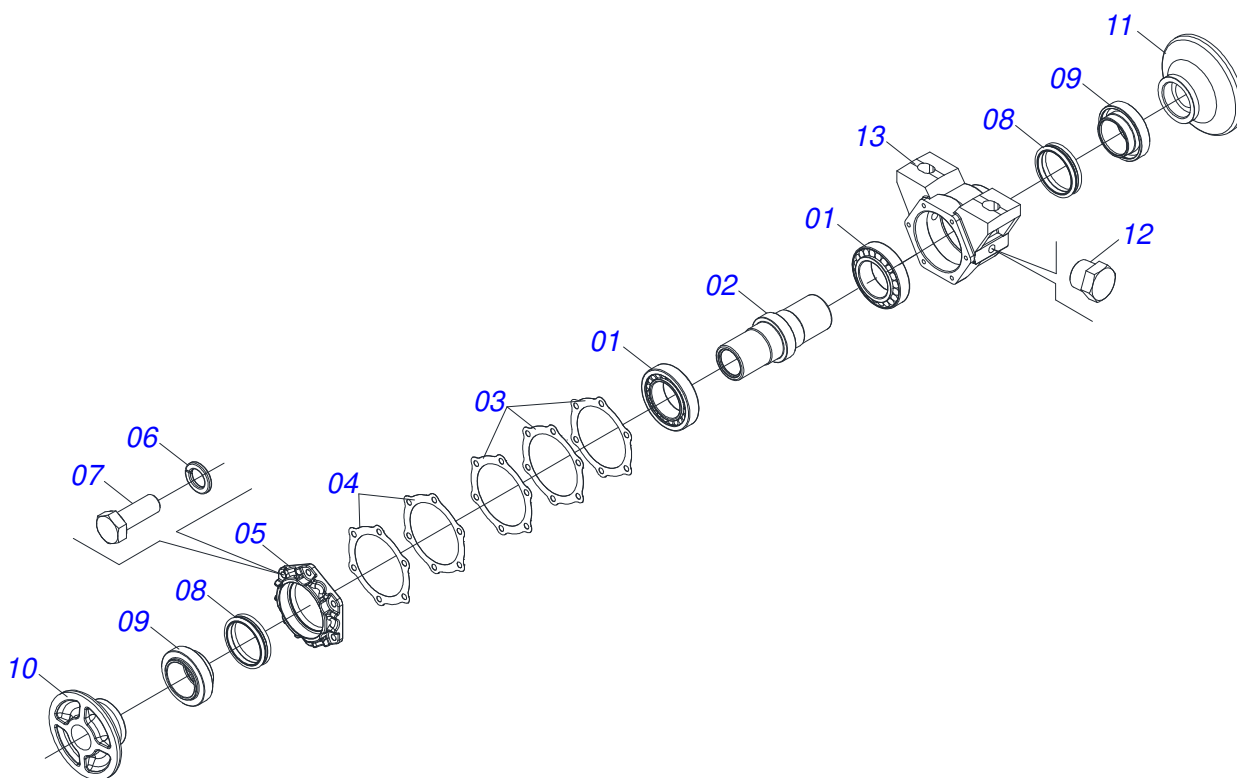


Item	Code	Description	See page	QT
01	0503010893	WHEEL		01
02	0503010033	7.50 X 16 INNER TIRE		01
03	0503010120	CANVAS TIRE		01



Item	Code	Description	See page	20	22	24	26	28	30
01	0511044700	1.3/4" X 1360MM AXLE		04	02	00	00	00	06
01A	0541010244	1.3/4 X 1360 AXLE		04	02	00	00	00	06
01B	0501010333	1.3/4" NUT		08	04	00	00	00	12
02	0511044701	1.3/4" X 1660 AXLE WITH NUT		00	02	04	02	00	00
02A	0541010245	1.3/4 X 1660 AXLE		00	02	04	02	00	00
02B	0501010333	1.3/4" NUT		00	04	08	04	00	00
03	0511044702	1.3/4" X 1960 AXLE ASSY		00	00	00	02	04	00
03A	0541010246	1.3/4" X 1960 AXLE		00	00	00	02	04	00
03B	0501010333	1.3/4" NUT		00	00	00	04	08	00
04	0511042128	OIL BATH BEARING	15	08	08	08	04	08	12
05	0502012193	292 X 1.3/4" SPACER		08	10	12	14	16	12
06	0502012222	1-3/4" EXTERNAL AXLE WASHER		04	04	04	04	04	06
07	0502012221	1-1/2" INNER AXLE WASHER		04	04	04	04	04	06
08	0602033006	26" X 0.2" NOTCHED DISC BLADE		20	22	24	26	28	30
09	0602037001	28" X 7,5MM NOTCHED DISC BLADE		20	22	24	26	28	30
10	0602040041	30X7,5 C105AF04FR1.13/16 10R T/CV NOTCHED DISC		20	22	24	26	28	30
11	0503010232	5/8" X 1.3/4" BOLT		08	08	08	08	08	12
12	0511017302	FLAT WASHER		08	08	08	08	08	12
13	0503012412	5/8 UNC SELF LOCKING NUT		08	08	08	08	08	12
14	0511014339	1-5/8" 2.8" NUT LOCK		08	08	08	08	08	12
15	0501041925	3/4" X 3-1/2" BOLT ASSY		16	16	16	16	16	24
15A	0501010950	3/4" X 3-1/2" BOLT		16	16	16	16	16	24
15B	0501010949	3/4" SQUARE WASHER		16	16	16	16	16	24
15C	0501010322	FLAT WASHER		32	32	32	32	32	48
15D	0503010014	3/4" NUT		32	32	32	32	32	48

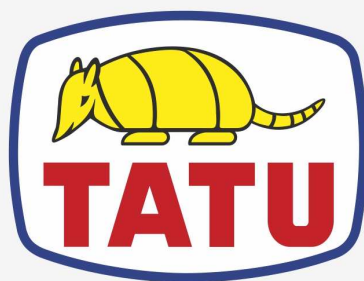
OIL BATH BEARING



Item	Code	Description	See page	QT
001	0503010104	3984/3920 ROLLER BEARING		02
002	0502010824	AXLE CM/DM		01
003	0503030030	5.6" X 4.4" X 0.01" GASKET		03
004	0503030685	5.5" X 4.4" X 0.003" GASKET		02
005	0502020161	WEAR PLATE BEARING		01
006	0503011443	3/8" SPRING WASHER		06
007	0503010237	3/8" X 1" BOLT		06
008	0503030027	DUO-CONE SEAL		02
009	0502010823	SEAL RETAINER		02
010	0502012194	INNER FLANGE		01
011	0502012195	BEARING OUTER FLANGE		01
012	0503010856	OIL PLUG		02
013	0502020477	HOUSING DM		01







**MARCHESAN**

**Technical Publications | Elaboration and Revision**

LUIZ CANDIDO

[www.marchesan.com.br](http://www.marchesan.com.br)

