

OFFSET DISK HARROW

GAICR 300 - 20/22/24/26/28/30 - 2.1/8" AXIS

Code: 0501093014
Series: S-0221
Revision: 00
Date Revision: JUNHO/2022

PARTS CATALOGUE



MARCHESAN



PRODUCTS

| Code | Description |
|-------------|--|
| 0102460152 | GAICR 300 20X30X7,50 DM RD DUPLO EIXO 2.1/8 S-0221 |
| 0102460151 | GAICR 300 22X30X7,50 DM RD DUPLO EIXO 2.1/8 S-0221 |
| 0102460150 | GAICR 300 24X30X7,50 DM RD DUPLO EIXO 2.1/8 S-0221 |
| 0102460149 | GAICR 300 26X30X7,50 DM RD DUPLO EIXO 2.1/8 S-0221 |
| 0102460148 | GAICR 300 28X30X7,50 DM RD DUPLO EIXO 2.1/8 S-0221 |
| 0102460147 | GAICR 300 30X30X7,50 DM RD DUPLO EIXO 2.1/8 S-0221 |

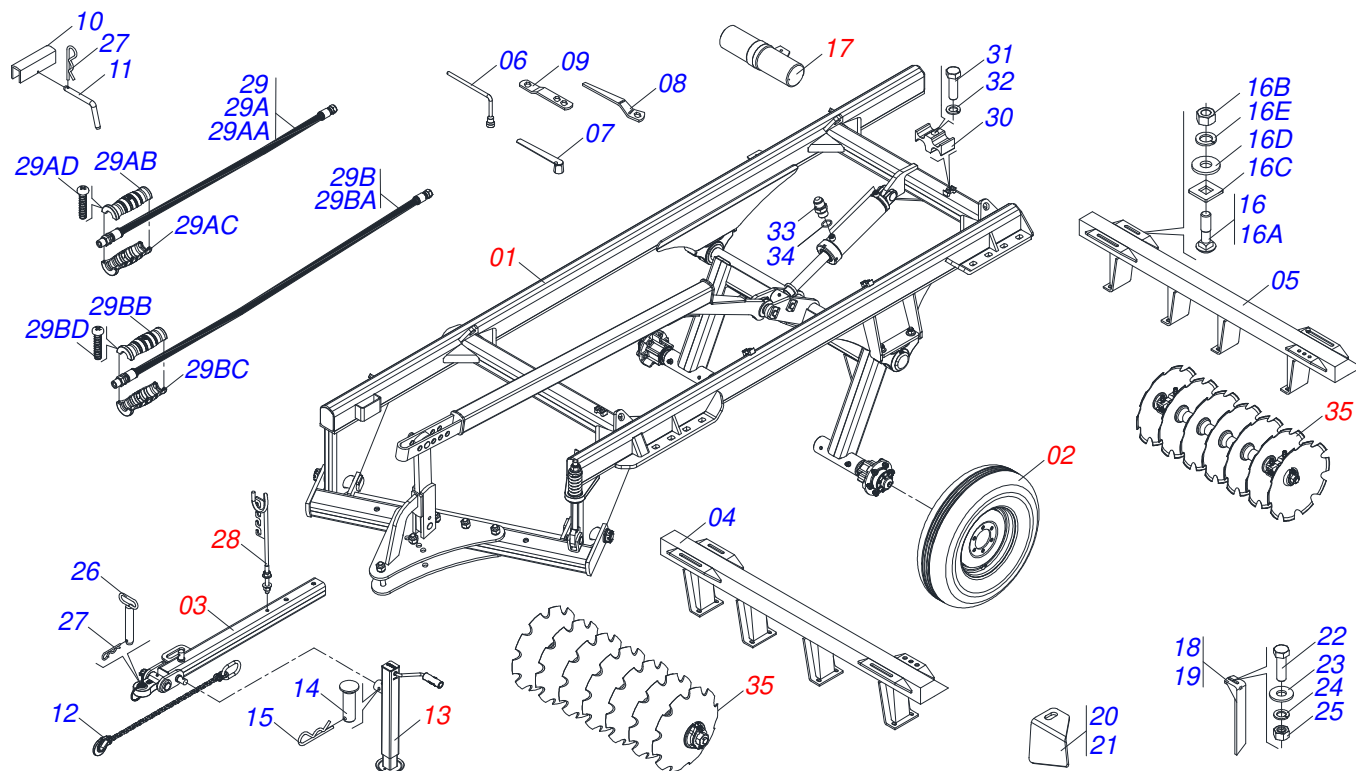
ATTENTION: IMPORTANT

Marchesan S.A. reserves the right to improve and/or modify the technical features of its products, without obligation to do the same with those products already sold and without prior knowledge of the dealer or the consumer. The photos are only illustrative.



INDEX

| | | | |
|------------|---|-------|----|
| 0909095777 | ASSY FRAME - 20/22/24/26/28/30D | | 1 |
| 0521049104 | FRAME ASSY | | 2 |
| 0501054931 | STUB SHAFT & HUB | | 3 |
| 0501051142 | CARRYING WHEEL HUB | | 4 |
| 0511050166 | 50,80 X 101,60 X 561 X 251 HYDRAULIC CYLINDER | | 5 |
| 0521048502 | ASSY TRACTION BAR | | 6 |
| 0521057520 | HITCH ASSY | | 7 |
| 0503062157 | HEADER JACK | | 8 |
| 0521055904 | MANUAL STORAGE TUBE ASSY | | 9 |
| 0501040257 | 3/4 X 1200 HOSE HOLDER A | | 10 |
| 0503060091 | L29.5"X0.63"-10L WHEEL AND | | 11 |
| 0909095776 | GANG DISC 20/22/24/26/28/30D | | 12 |
| 0511047876 | 292 X 2.1/8" OIL BATH BEARING | | 13 |



| Item | Code | Description | See page | 20 | 22 | 24 | 26 | 28 | 30 |
|---------|------------|-------------------------------|----------|----|----|----|----|----|----|
| 01 | 0521049104 | FRAME ASSY | 2 | 01 | 01 | 01 | 01 | 01 | 01 |
| 02 | 0503060091 | L29.5"X0.63"-10L WHEEL AND | 11 | 02 | 02 | 02 | 02 | 02 | 02 |
| 03 | 0521048502 | ASSY TRACTION BAR | 6 | 01 | 01 | 01 | 01 | 01 | 01 |
| 04 | 0511064960 | FRONT FRAME | | 01 | 00 | 00 | 00 | 00 | 00 |
| 04. | 0511064962 | FRONT FRAME | | 00 | 01 | 00 | 00 | 00 | 00 |
| 04.. | 0511064964 | FRONT FRAME | | 00 | 00 | 01 | 00 | 00 | 00 |
| 04... | 0511064966 | FRONT FRAME | | 00 | 00 | 00 | 01 | 00 | 00 |
| 04.... | 0521062633 | FRONT FRAME | | 00 | 00 | 00 | 00 | 01 | 00 |
| 04..... | 0521062636 | FRONT FRAME 30 | | 00 | 00 | 00 | 00 | 00 | 01 |
| 05 | 0511064961 | REAR FRAME | | 01 | 00 | 00 | 00 | 00 | 00 |
| 05. | 0511064963 | REAR FRAME | | 00 | 01 | 00 | 00 | 00 | 00 |
| 05.. | 0511064965 | REAR FRAME | | 00 | 00 | 01 | 00 | 00 | 00 |
| 05... | 0511064967 | REAR FRAME | | 00 | 00 | 00 | 01 | 00 | 00 |
| 05.... | 0521062630 | REAR FRAME 28 | | 00 | 00 | 00 | 00 | 01 | 00 |
| 05..... | 0521062631 | REAR FRAME | | 00 | 00 | 00 | 00 | 00 | 01 |
| 06 | 0503015723 | WRENCH WRENCH CYLINDRICAL 7/8 | | 01 | 01 | 01 | 01 | 01 | 01 |
| 07 | 0501061617 | 1" GANG BOLT WRENCH | | 01 | 01 | 01 | 01 | 01 | 01 |
| 08 | 0501011431 | 1-3/4" GANG BOLT WRENCH | | 02 | 02 | 02 | 02 | 02 | 02 |
| 09 | 0511018451 | 5/8" X 3/4" X 1" UNIVERSAL | | 01 | 01 | 01 | 01 | 01 | 01 |
| 10 | 0551010280 | 253 TRANSPORT LOCK | | 01 | 01 | 01 | 01 | 01 | 01 |
| 11 | 0541016844 | FIXER LOCK | | 01 | 01 | 01 | 01 | 01 | 01 |
| 12 | 0503013150 | 1300 X 3/8 CHAIN | | 01 | 01 | 01 | 01 | 01 | 01 |
| 13 | 0503062157 | HEADER JACK | 8 | 01 | 01 | 01 | 01 | 01 | 01 |
| 14 | 0521010549 | COUPLING SHAFT | | 01 | 01 | 01 | 01 | 01 | 01 |
| 15 | 0503030285 | HITCH PIN CLIP | | 01 | 01 | 01 | 01 | 01 | 01 |
| 16 | 0501040877 | C1" X 3-1/4" ASSY BOLT | | 08 | 08 | 08 | 08 | 08 | 08 |
| 16A | 0501010171 | BOLT 1 UNC X 3.1/2 C S G.5 | | 08 | 08 | 08 | 08 | 08 | 08 |
| 16B | 0501010059 | 1.5/8 NUT | | 08 | 08 | 08 | 08 | 08 | 08 |
| 16C | 0502012861 | 1" SQUARE WASHER | | 08 | 08 | 08 | 08 | 08 | 08 |
| 16D | 0501010065 | 1" SPRING WASHER | | 08 | 08 | 08 | 08 | 08 | 08 |
| 16E | 0503010012 | 1" SPRING WASHER | | 08 | 08 | 08 | 08 | 08 | 08 |

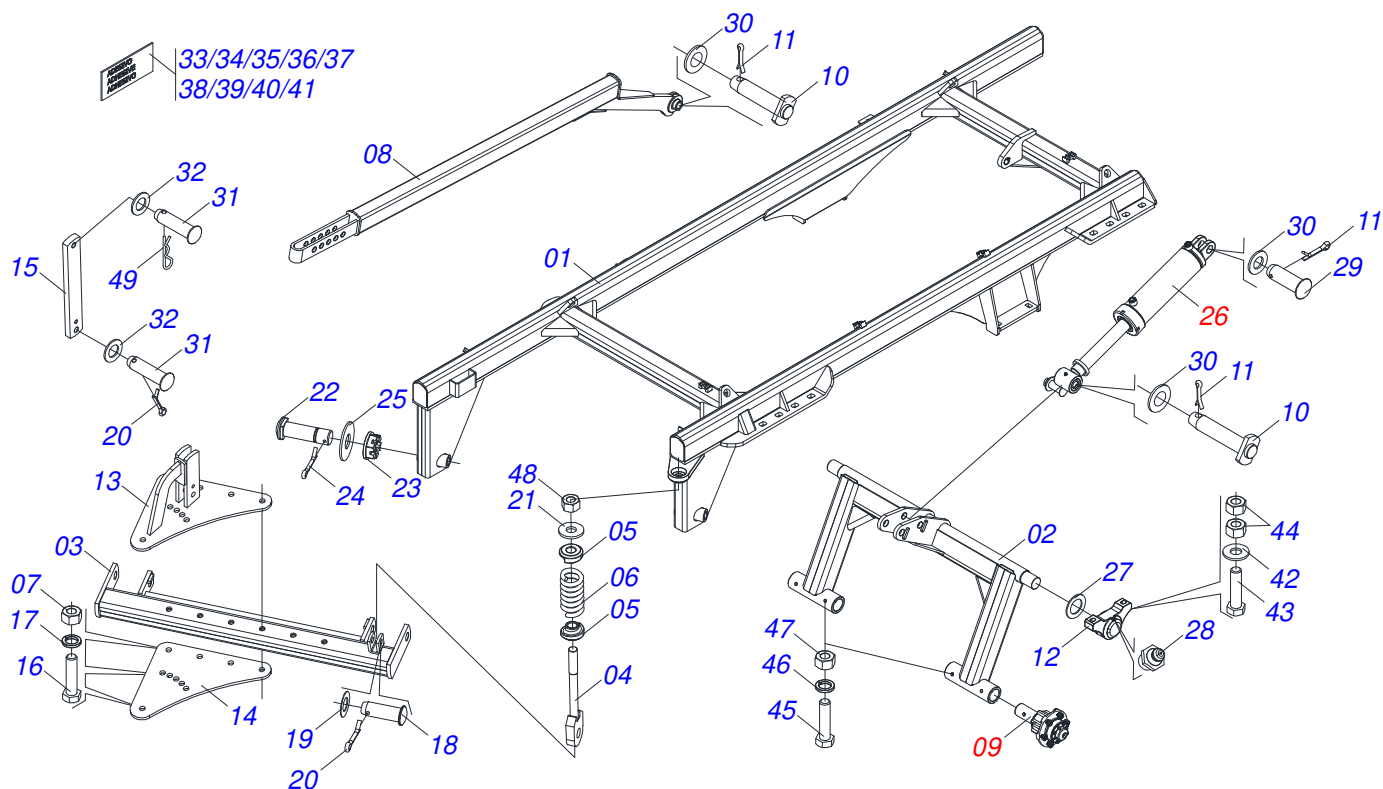


ASSY FRAME - 20/22/24/26/28/30D

0909095777

| Item | Code | Description | See page | 20 | 22 | 24 | 26 | 28 | 30 |
|------|------------|------------------------------------|----------|----|----|----|----|----|----|
| 17 | 0521055904 | MANUAL STORAGE TUBE ASSY | 9 | 01 | 01 | 01 | 01 | 01 | 01 |
| 18 | 0501064168 | REAR SCRAPER | | 05 | 06 | 07 | 08 | 09 | 08 |
| 19 | 0501064167 | REAR SCRAPER | | 05 | 06 | 07 | 08 | 09 | 08 |
| 20 | 0561019424 | REAR BEARING CLEANER | | 04 | 04 | 04 | 04 | 04 | 06 |
| 21 | 0561019423 | FRONT LEVER CLEANER | | 04 | 04 | 04 | 04 | 04 | 06 |
| 22 | 0503011082 | C1/2" X 1.3/4" SCREW | | 20 | 24 | 28 | 32 | 36 | 32 |
| 23 | 0511017302 | FLAT WASHER | | 20 | 24 | 28 | 32 | 36 | 32 |
| 24 | 0503010019 | 1/2" SPRING WASHER | | 20 | 24 | 28 | 32 | 36 | 32 |
| 25 | 0503010060 | 1/2" NUT | | 20 | 24 | 28 | 32 | 36 | 32 |
| 26 | 0501069080 | COUPLING SHAFT | | 01 | 01 | 01 | 01 | 01 | 01 |
| 27 | 0503030168 | HITCH PIN CLIP | | 02 | 02 | 02 | 02 | 02 | 02 |
| 28 | 0501040257 | 3/4 X 1200 HOSE HOLDER A | 10 | 01 | 01 | 01 | 01 | 01 | 01 |
| 29 | 0531050998 | HOSE GAME | | 01 | 01 | 01 | 01 | 01 | 01 |
| 29A | 0531050997 | 3/8 X 7000 TC-TM HOSE BLACK / BLUE | | 01 | 01 | 01 | 01 | 01 | 01 |
| 29AA | 0501080477 | HOSE 3/8 X 7012 TC-TM | | 01 | 01 | 01 | 01 | 01 | 01 |
| 29AB | 0503034492 | HYDRAULIC HOSE GRIP (BLACK) | | 01 | 01 | 01 | 01 | 01 | 01 |
| 29AC | 0503034494 | HYDRAULIC HOSE GRIP (BLUE) | | 01 | 01 | 01 | 01 | 01 | 01 |
| 29AD | 0503018952 | PLASTIC BOLT | | 03 | 03 | 03 | 03 | 03 | 03 |
| 29B | 0531050996 | 3/8 X 6700 TC-TM HOSE BLACK / RED | | 01 | 01 | 01 | 01 | 01 | 01 |
| 29BA | 0501080476 | 3/8" X 26" TC-TM HOSE ASSY | | 01 | 01 | 01 | 01 | 01 | 01 |
| 29BB | 0503034495 | HYDRAULIC HOSE GRIP (RED) | | 01 | 01 | 01 | 01 | 01 | 01 |
| 29BC | 0503034492 | HYDRAULIC HOSE GRIP (BLACK) | | 01 | 01 | 01 | 01 | 01 | 01 |
| 29BD | 0503018952 | PLASTIC BOLT | | 03 | 03 | 03 | 03 | 03 | 03 |
| 30 | 0502010477 | HOSE CLAMP | | 04 | 04 | 04 | 04 | 04 | 04 |
| 31 | 0503011135 | BOLT | | 04 | 04 | 04 | 04 | 04 | 04 |
| 32 | 0503010180 | 7/16" SPRING WASHER | | 04 | 04 | 04 | 04 | 04 | 04 |
| 33 | 0501010617 | 3/4" NIPPLE | | 02 | 02 | 02 | 02 | 02 | 02 |
| 34 | 0503010190 | 2-114 N 3006-9B O'RING | | 02 | 02 | 02 | 02 | 02 | 02 |
| 35 | 0909095776 | GANG DISC 20/22/24/26/28/30D | 12 | 01 | 01 | 01 | 01 | 01 | 01 |

FRAME ASSY



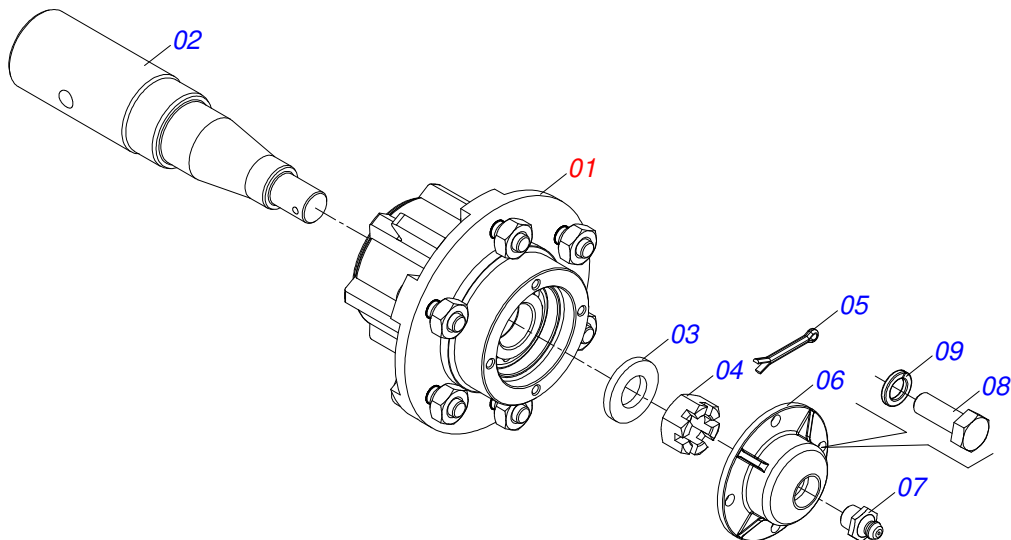
| Item | Code | Description | See page | QT |
|------|------------|---|----------|----|
| 01 | 0521069680 | FRAME | | 01 |
| 02 | 0521069679 | 600 X 1400 WHEEL | | 01 |
| 03 | 0521062532 | CONNECTION BAR 1324 | | 01 |
| 04 | 0501064698 | SPRING ROD | | 01 |
| 05 | 1902020393 | SPRING UPPER SUPPORT | | 02 |
| 06 | 0503030441 | 12.7" X 5.7" X 0.5"SPRING | | 01 |
| 07 | 0501010059 | 1.5/8 NUT | | 06 |
| 08 | 0521069682 | STABILIZING BAR 2590 | | 01 |
| 09 | 0501054931 | STUB SHAFT & HUB | 3 | 04 |
| 10 | 0521069685 | AXLE JUNCTION 31.75 X 137 | | 02 |
| 11 | 0503010523 | 1/4" X 2" COTTERPIN | | 03 |
| 12 | 0501110856 | ARTICULACION BEARING | | 02 |
| 13 | 0521069686 | TOP PLATE WITH SUPPORT | | 01 |
| 14 | 0521069137 | LOWER PLATE FIXING BAR TRACTION | | 01 |
| 15 | 0581019738 | STABILIZING BAR TOWER 650 | | 01 |
| 16 | 0501010334 | 1" X 7" BOLT | | 06 |
| 17 | 0503011438 | SPRING WASHER | | 06 |
| 18 | 0521010592 | 1.1" X 3.1" COUPLING SHAFT | | 01 |
| 19 | 0561011883 | FLAT WASHER | | 01 |
| 20 | 0503010571 | 1/4" X 1.1/2 COTTERPIN | | 02 |
| 21 | 0531016049 | FLAT WASHER | | 01 |
| 22 | 0531019497 | 1.5" X 9.2" ARTICULATED AXIS | | 02 |
| 23 | 0501011301 | 1.1/2 UNC 6FPP 2.5/16 NUT | | 02 |
| 24 | 0503010010 | 1/4" X 2.1/2" COTTERPIN | | 02 |
| 25 | 0551012215 | FLAT WASHER | | 02 |
| 26 | 0511050166 | 50,80 X 101,60 X 561 X 251 HYDRAULIC CYLINDER | 5 | 01 |
| 27 | 0501017579 | FLAT WASHER | | 02 |
| 28 | 0503010002 | 1800 GREASE FITTING | | 05 |
| 29 | 0521010779 | 31.75 X 95 COUPLING SHAFT | | 01 |
| 30 | 0501017779 | 32 X 60 X 4.75 FLAT WASHER | | 03 |
| 31 | 0521010576 | 0.9" X 3.7" COUPLING SHAFT | | 02 |



FRAME ASSY

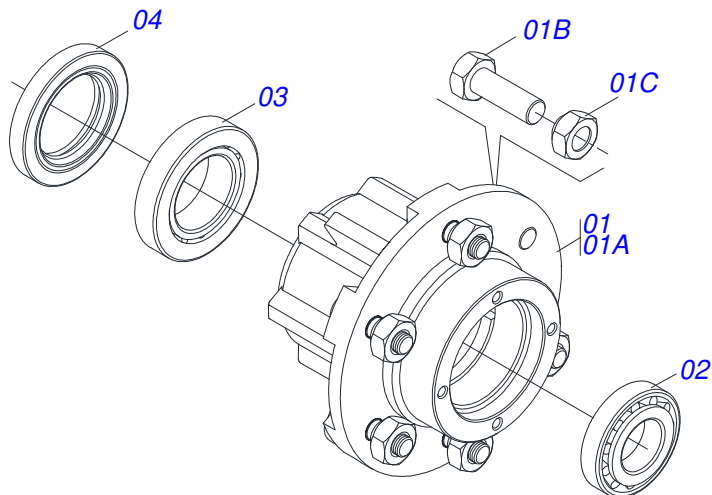
0521049104

| Item | Code | Description | See page | QT |
|------|------------|-------------------------------------|----------|----|
| 32 | 0501011445 | FLAT WASHER | | 02 |
| 33 | 0503031428 | READ MANUAL DECAL | | 01 |
| 34 | 0503031087 | ADHESIVE LABEL | | 01 |
| 35 | 0503031827 | LUBRICATE AND RETIGHTEN DAILY DECAL | | 01 |
| 36 | 0503060824 | ASSY STICKER | | 01 |
| 37 | 0503034499 | HOSE IDENTIFICATION DECAL | | 01 |
| 38 | 0503034078 | LIFTING POINTS DECAL | | 04 |
| 39 | 0503033038 | DANGER SIGN | | 01 |
| 40 | 0503031738 | ADHESIVE LABEL | | 01 |
| 41 | 0503031739 | ADHESIVE LABEL | | 01 |
| 42 | 0501010322 | FLAT WASHER | | 04 |
| 43 | 0503011246 | 3/4" X 3-1/2" BOLT | | 04 |
| 44 | 0503011075 | 3/4" UNC NUT | | 04 |
| 45 | 0503010706 | BOLT 1/2 UNC X 4.1/2 C S G.5 ZN | | 04 |
| 46 | 0521014188 | FLAT WASHER | | 04 |
| 47 | 0503010589 | 1/2" UNC SELF ADJUSTING NUT | | 04 |
| 48 | 0503018754 | 1-8 UNC NUT | | 01 |
| 49 | 0503031035 | HITCH PIN CLIP | | 01 |

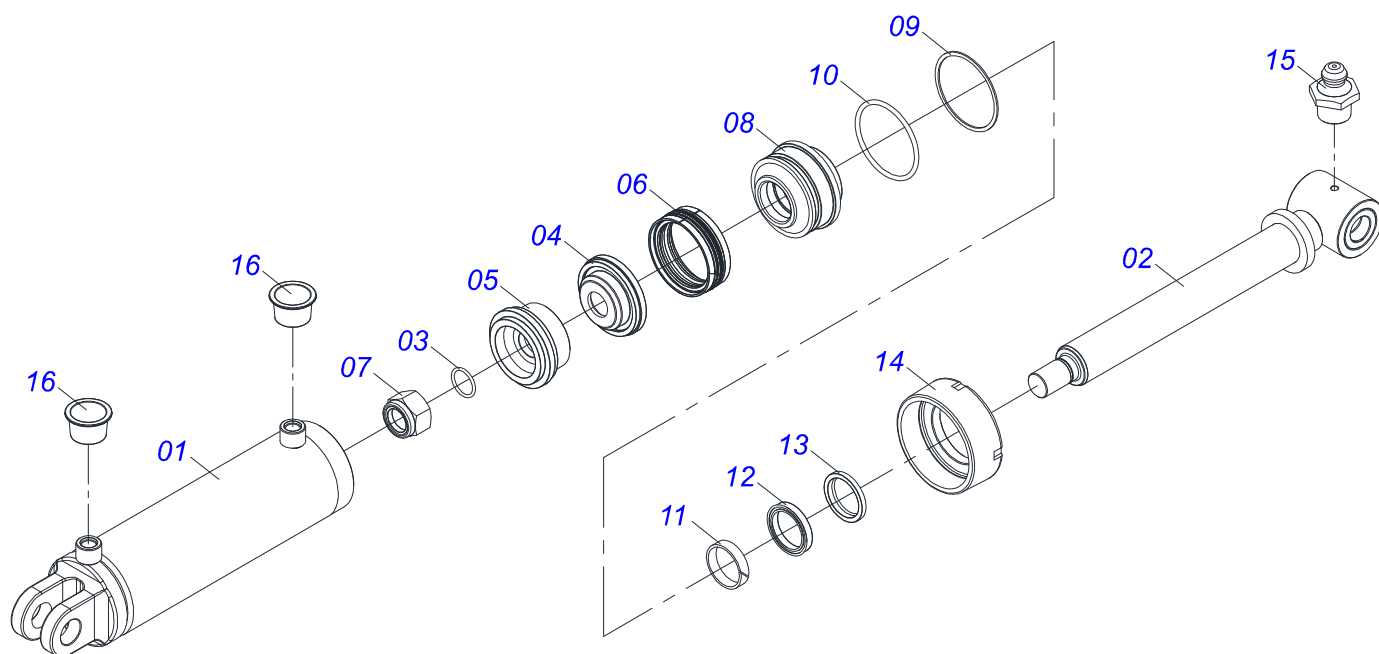


| Item | Code | Description | See page | QT |
|------|------------|------------------------|----------|----|
| 01 | 0501051142 | CARRYING WHEEL HUB | 4 | 01 |
| 02 | 0541010739 | 2.5" X 12.2" AXLE | | 01 |
| 03 | 0501016545 | FLAT WASHER | | 01 |
| 04 | 0503030009 | 1" CASTLE NUT | | 01 |
| 05 | 0503010018 | 5/32 X 1-1/2 COTTERPIN | | 01 |
| 06 | 0502020591 | PROTECCION COVER | | 01 |
| 07 | 0503010002 | 1800 GREASE FITTING | | 01 |
| 08 | 0503010358 | 5/16" X 5/8" BOLT | | 04 |
| 09 | 0503011444 | SPRING WASHER | | 04 |

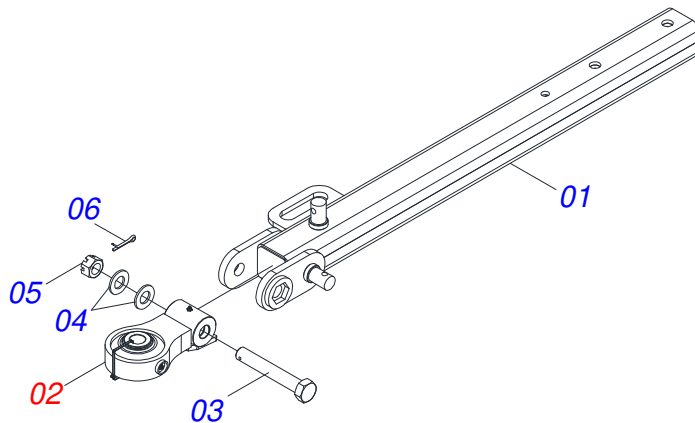
CARRYING WHEEL HUB



| Item | Code | Description | See page | QT |
|------|------------|-------------------------|----------|----|
| 01 | 0501110728 | WHEEL HUB | | 01 |
| 01A | 0502011121 | CARRYING WHEEL HUB | | 01 |
| 01B | 0501010127 | 9/16" X 1-7/8" LUG BOLT | | 06 |
| 01C | 0503010035 | 9/16" CONIC NUT | | 06 |
| 02 | 0503010037 | 30207 ROLLER BEARING | | 01 |
| 03 | 0503010006 | 32210 ROLLER BEARING | | 01 |
| 04 | 0503012928 | SEAL | | 01 |

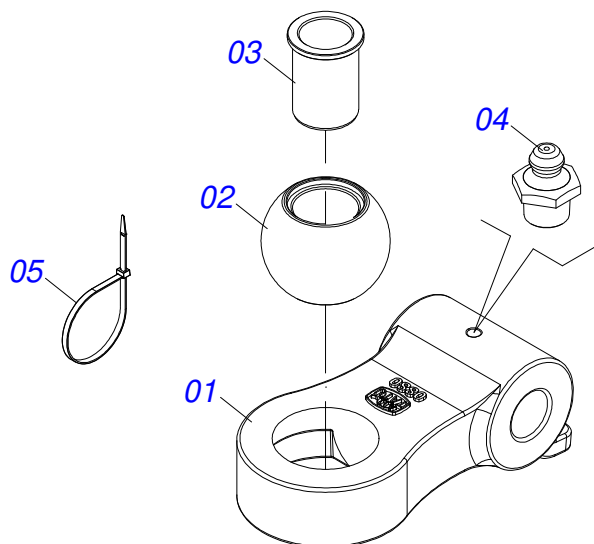


| Item | Code | Description | See page | QT |
|------|-------------|----------------------------|----------|----|
| 01 | 0511066220 | 101,60 X 369 CYLINDER CASE | | 01 |
| 02 | 0511067445 | 50,8 X 452,5 TURNBUCLE | | 01 |
| 03 | 0503010345 | 2-218 N 3006-9B O'RING | | 01 |
| 04 | 0561016389 | PISTON BODY | | 01 |
| 05 | 0561016387 | PISTON BODY | | 01 |
| 06 | 0503015633 | SELEMASTER SEALING | | 01 |
| 07 | 0503010817 | 1.1/4" SELF LOCKING NUT | | 01 |
| 08 | 0502012642 | SUPPORT OF THE RINGS | | 01 |
| 09 | 0503011061 | 8-342 BACK-UP RING | | 01 |
| 10 | 0503010338 | 2-342 N 3006-9B O'RING | | 01 |
| 11 | 0503015634 | RING SLYDRING | | 01 |
| 12 | 0503015635 | U-CUP SEAL | | 01 |
| 13 | 0503015636 | SCRAPER SEAL | | 01 |
| 14 | 0502010017 | 4" HEAD | | 01 |
| 15 | 0503010002 | 1800 GREASE FITTING | | 01 |
| 16 | 0503030384 | CON PLUG N-001 | | 02 |
| 17 | 0501039361R | REPAIR KIT | | 01 |



| Item | Code | Description | See page | QT |
|------|------------|----------------------------|----------|----|
| 01 | 0521069165 | DRAWBAR ASSY | | 01 |
| 02 | 0521057520 | HITCH ASSY | 7 | 01 |
| 03 | 0581015973 | 1.1/4 UNC X 8 C S G5 SCREW | | 01 |
| 04 | 0501017779 | 32 X 60 X 4.75 FLAT WASHER | | 02 |
| 05 | 0503013026 | 1.1/4" CASTLE NUT | | 01 |
| 06 | 0503010010 | 1/4" X 2.1/2" COTTERPIN | | 01 |

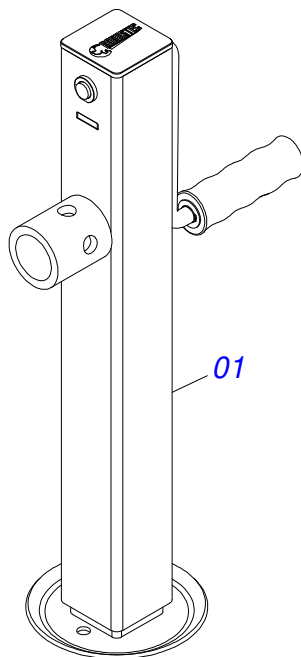
HITCH ASSY



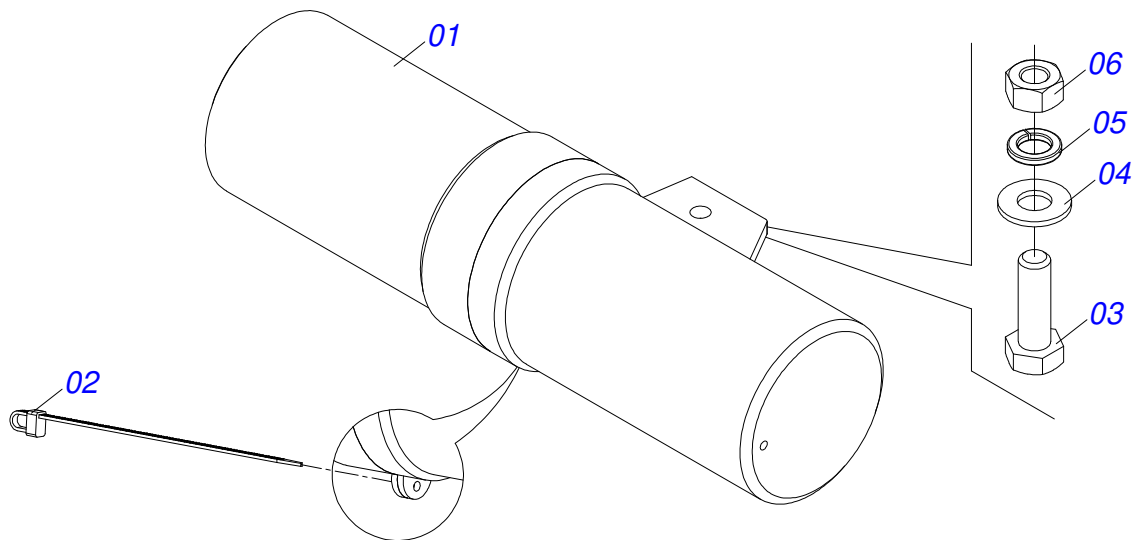
| Item | Code | Description | See page | QT |
|------|------------|---------------------|----------|----|
| 01 | 0502040880 | HITCH BODY | | 01 |
| 02 | 0502040885 | BODY ATTACHMENT | | 01 |
| 03 | 0591012511 | SLEEVE | | 01 |
| 04 | 0503010002 | 1800 GREASE FITTING | | 01 |
| 05 | 0503018829 | NYLON CLAMP | | 01 |

HEADER JACK

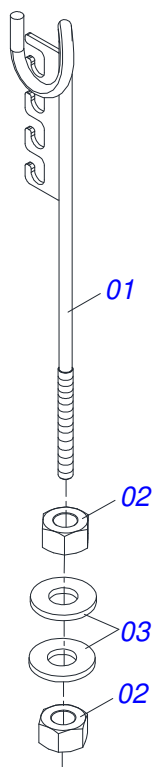
0503062157



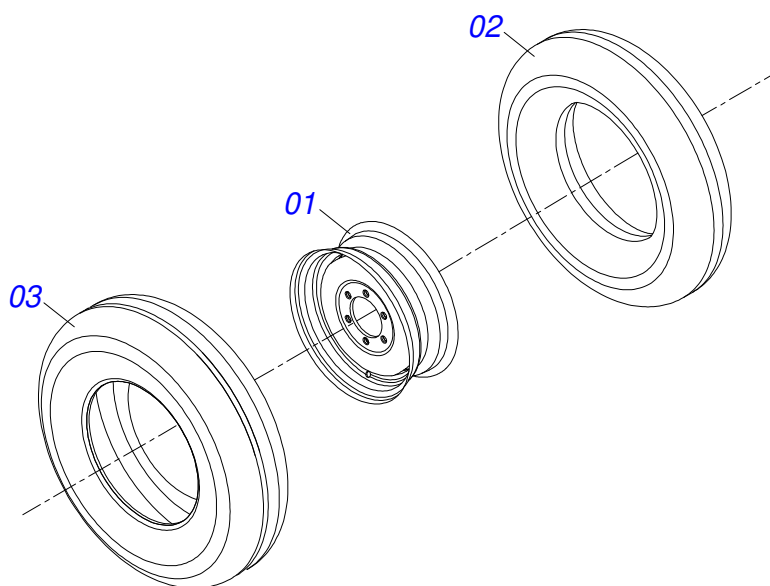
| Item | Code | Description | See page | QT |
|------|------------|-------------|----------|----|
| 01 | 0503062157 | HEADER JACK | 8 | 01 |



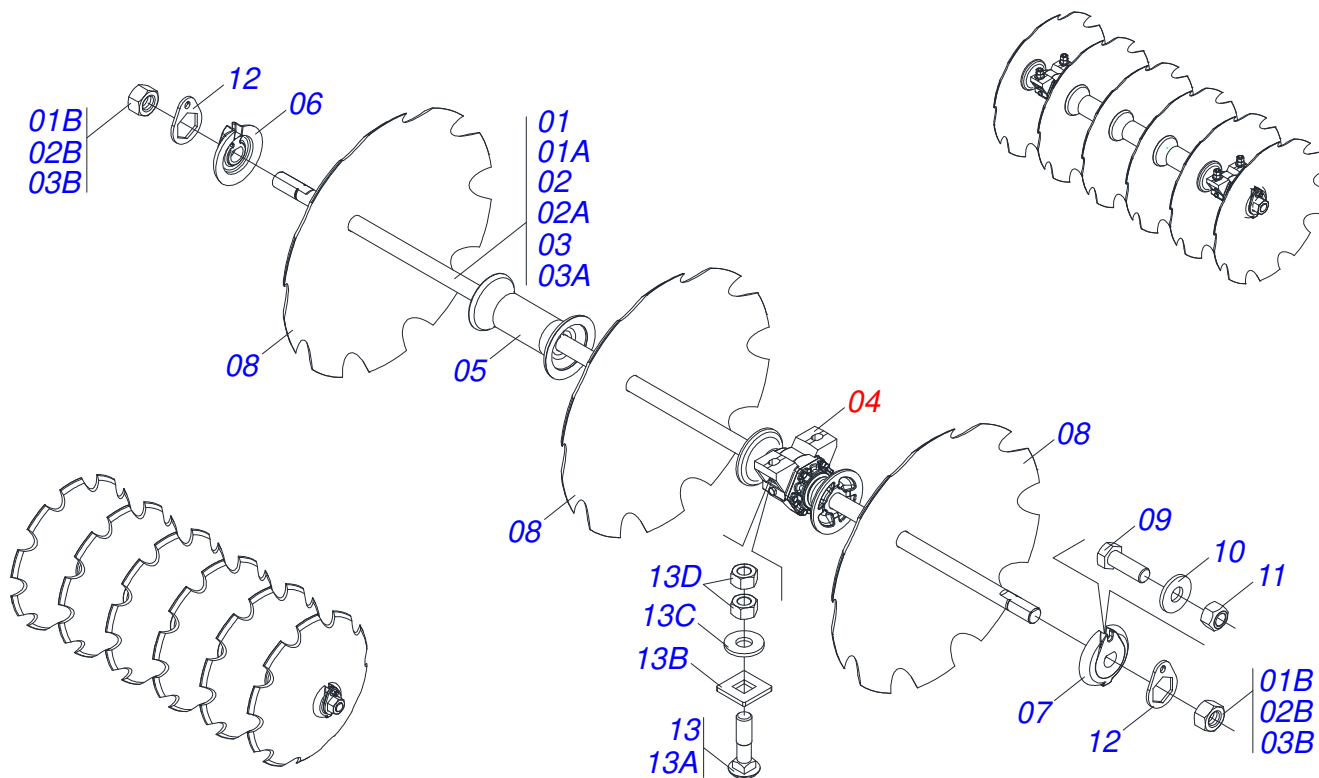
| Item | Code | Description | See page | QT |
|------|------------|--------------------------------|----------|----|
| 01 | 0503060100 | OPERATOR'S MANUAL STORAGE TUBE | | 01 |
| 02 | 0503010267 | NYLON CLAMP | | 01 |
| 03 | 0503010363 | 5/16" X 1" BOLT | | 01 |
| 04 | 0501010694 | FLAT WASHER | | 01 |
| 05 | 0503010179 | LOCK WASHER | | 01 |
| 06 | 0503010337 | 5/16" NUT | | 01 |



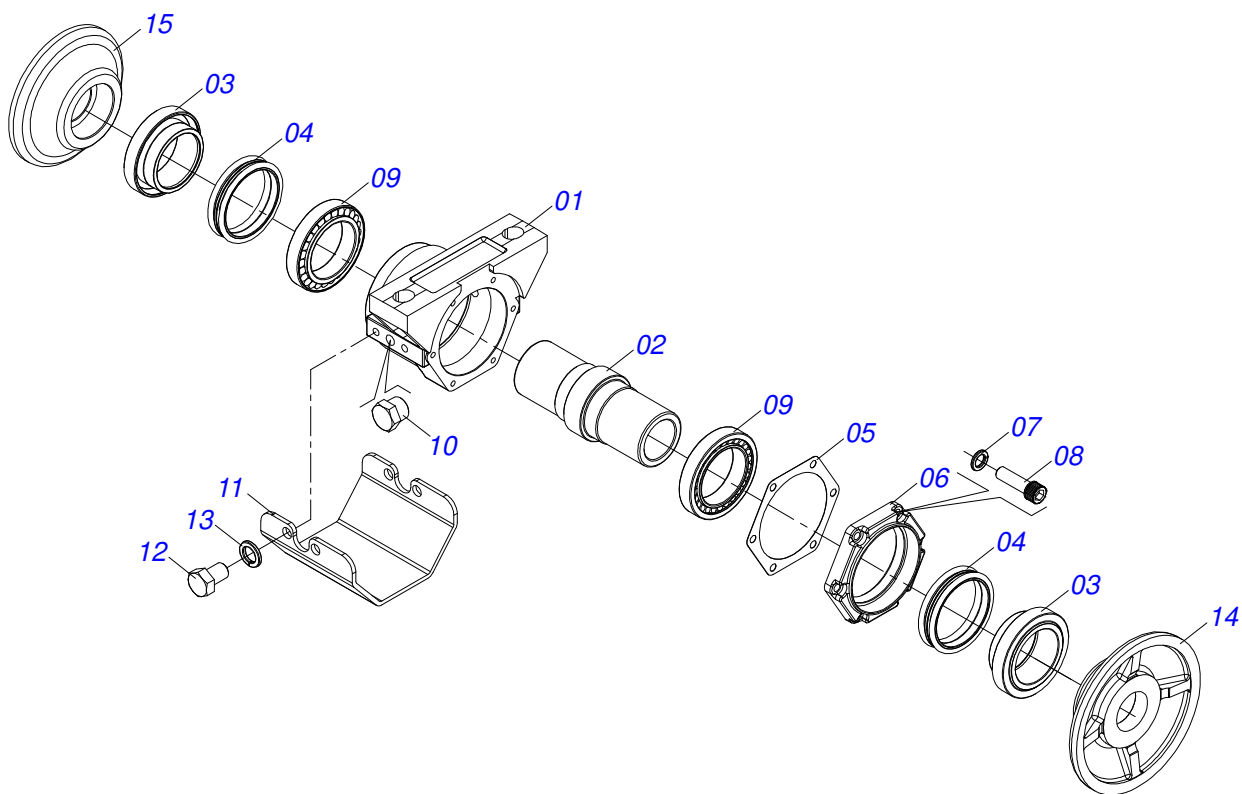
| Item | Code | Description | See page | QT |
|------|------------|-------------------|----------|----|
| 01 | 0511067334 | HOSE SOPPORT ASSY | | 01 |
| 02 | 0503010014 | 3/4" NUT | | 02 |
| 03 | 0501010322 | FLAT WASHER | | 02 |



| Item | Code | Description | See page | QT |
|------|------------|----------------------|----------|----|
| 01 | 0503010893 | WHEEL | | 01 |
| 02 | 0503010033 | 7.50 X 16 INNER TIRE | | 01 |
| 03 | 0503010120 | CANVAS TIRE | | 01 |



| Item | Code | Description | See page | 20 | 22 | 24 | 26 | 28 | 30 |
|------|------------|-------------------------------|----------|----|----|----|----|----|----|
| 01 | 0511050665 | 2-1/8" X 1424 AXLE WITH NUTS | | 04 | 02 | 00 | 00 | 00 | 06 |
| 01A | 0561015983 | 2-1/8" X 1424 AXLE | | 04 | 02 | 00 | 00 | 00 | 06 |
| 01B | 0502040063 | 2.1/8" X 54 99 NUT | | 08 | 02 | 00 | 00 | 00 | 12 |
| 02 | 0501059852 | 2-1/8 X 1722 AXLE WITH NUTS | | 02 | 02 | 04 | 02 | 00 | 00 |
| 02A | 0561015943 | 2-1/8" X 1722 AXLE | | 02 | 02 | 04 | 02 | 00 | 00 |
| 02B | 0502040063 | 2.1/8" X 54 99 NUT | | 04 | 04 | 08 | 04 | 00 | 00 |
| 03 | 0501059155 | 2-1/8" X 2020 AXLE WITH NUTS | | 00 | 00 | 00 | 02 | 04 | 00 |
| 03A | 0561013277 | 2-1/8" X 2020 AXLE | | 00 | 00 | 00 | 02 | 04 | 00 |
| 03B | 0502040063 | 2.1/8" X 54 99 NUT | | 00 | 00 | 00 | 04 | 08 | 00 |
| 04 | 0511047876 | 292 X 2.1/8" OIL BATH BEARING | 13 | 08 | 08 | 08 | 04 | 08 | 12 |
| 05 | 0502011405 | 292 W/H 2.1/8 SPACER | | 08 | 10 | 12 | 14 | 16 | 12 |
| 06 | 0502010594 | 2-1/8" EXTERNAL AXLE WASHER | | 04 | 04 | 04 | 04 | 04 | 06 |
| 07 | 0502010595 | 2-1/8" INNER AXLE WASHER | | 04 | 04 | 04 | 04 | 04 | 06 |
| 08 | 0602040001 | 30" X 0.3" NOTCHED DISC BLADE | | 20 | 22 | 24 | 26 | 28 | 30 |
| 09 | 0503010232 | 5/8" X 1.3/4" BOLT | | 08 | 08 | 08 | 08 | 08 | 12 |
| 10 | 0501012140 | FLAT WASHER | | 08 | 08 | 08 | 08 | 08 | 12 |
| 11 | 0503012412 | 5/8 UNC SELF LOCKING NUT | | 08 | 08 | 08 | 08 | 08 | 12 |
| 12 | 0541010368 | NUT LOCK | | 08 | 08 | 08 | 08 | 08 | 12 |
| 13 | 0511046308 | 7/8" NC X 4.1/2" BOLT ASSY | | 16 | 16 | 16 | 16 | 16 | 24 |
| 13A | 0503012460 | 7/8" X 4-1/2" BOLT | | 16 | 16 | 16 | 16 | 16 | 24 |
| 13B | 0521066938 | BEARING SUPPORT | | 16 | 16 | 16 | 16 | 16 | 24 |
| 13C | 0561013107 | FLAT WASHER | | 16 | 16 | 16 | 16 | 16 | 24 |
| 13D | 0503010417 | 7/8" NUT | | 32 | 32 | 32 | 32 | 32 | 48 |



| Item | Code | Description | See page | QT |
|------|------------|---------------------|----------|----|
| 01 | 0502012482 | HOUSING BEARING | 01 | 01 |
| 02 | 0502040810 | SHAFT FOR BEARING | 01 | 01 |
| 03 | 0502040198 | SEAL RETAINER | 02 | 02 |
| 04 | 0503030028 | JB-257 SEAL | 02 | 02 |
| 05 | 0503032999 | JOINT | 03 | 03 |
| 06 | 0502012481 | BOX COVER | 01 | 01 |
| 07 | 0503011443 | 3/8" SPRING WASHER | 06 | 06 |
| 08 | 0503010175 | 3/8" X 1-1/4" BOLT | 06 | 06 |
| 09 | 0503010107 | 27687/27620 BEARING | 02 | 02 |
| 10 | 0503010856 | OIL PLUG | 02 | 02 |
| 11 | 0551017124 | PROTECTION COVER | 01 | 01 |
| 12 | 0503011401 | 1/2" X 3/4" BOLT | 04 | 04 |
| 13 | 0503010019 | 1/2" SPRING WASHER | 04 | 04 |
| 14 | 0581012051 | EXTERNAL DISC | 01 | 01 |
| 15 | 0581012052 | DISCO INTERNE | 01 | 01 |



MARCHESAN

Technical Publications | Elaboration and Revision
LUIZ CANDIDO

www.marchesan.com.br

