

SEEDERS

PSH3

Code: 0501093007
Series: S-0997
Revision: 00
Date Revision: AGOSTO/2021

PARTS CATALOGUE



MARCHESAN



PRODUCTS

Code	Description	
0112040097C	PSH3 13 DD CORR	S-0997
0112040097	PSH3 13 DD CORR	S-0997
0112040016	PSH3 15 CHILE	S-0997

ATTENTION: IMPORTANT

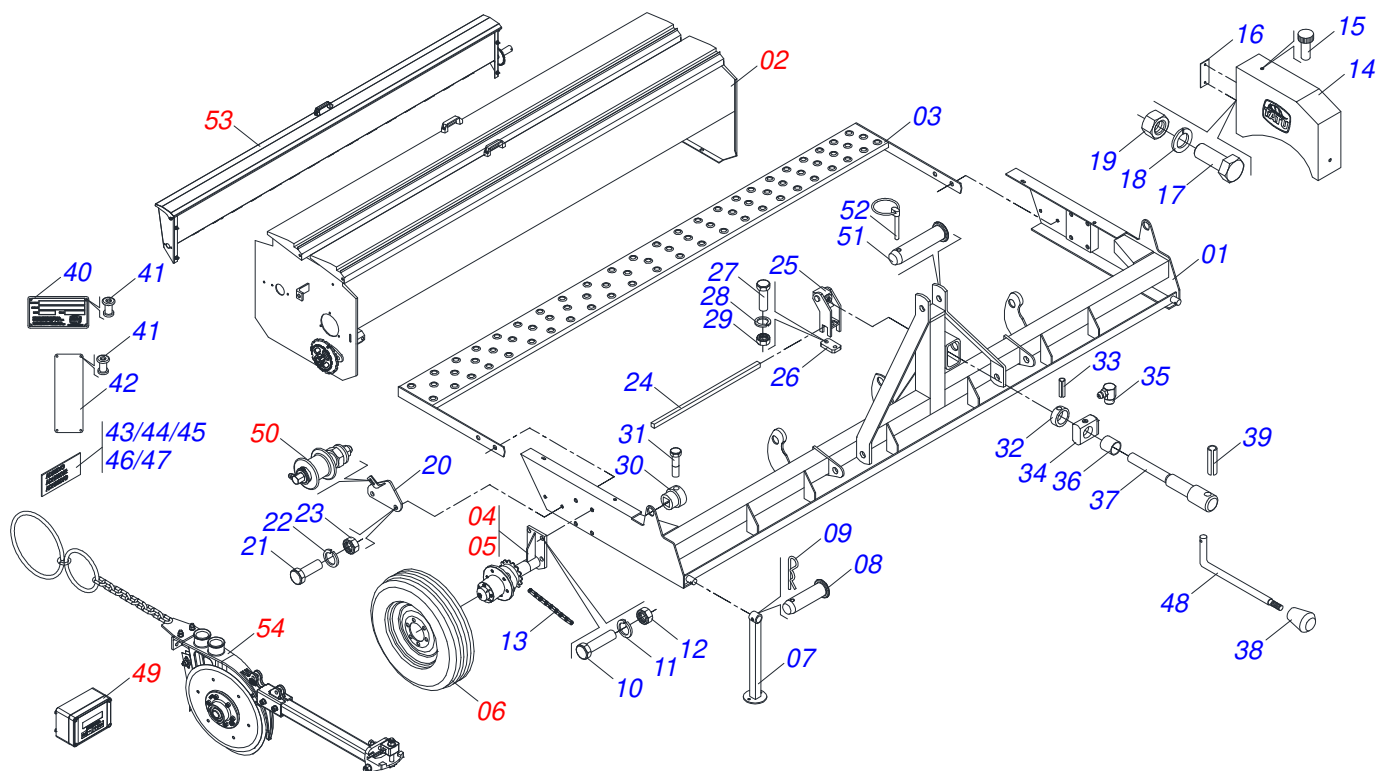
Marchesan S.A. reserves the right to improve and / or modify the technical features of its products, without obligation to do the same with those products already sold and without prior knowledge of the dealer or the consumer.



MARCHESAN

INDEX

0909095801	ASSY FRAME	1
0909095800	ASSY SEED/FERTILIZER BOX	2
0501051478	SEMI MOUNTED LEFT FERTILIZER SYSTEM SHAFT	3
0501057660	SEMIFINISHED AXLE FERTILIZER	4
0501051366	BEARING ASSY	5
0501051380	LEFT MOUNTED SEMI SEED SYSTEM	6
0501051393	SEED SYSTEM ASSY	7
0501053462	LEFT BEARING BOX FOR FINE SEED	8
0501043283	ASSY LEFT CHAIN STRETCHER	9
0501051537	LEFT STUB SHAFT HUB ASSY	10
0501051942	RIGHT STUB SHAFT HUB ASSY	11
0511050886	ASSY WHEEL BOX	12
0501051142	CARRYING WHEEL HUB	13
0503060094	WHEEL AND TIRE ASSY	14
0501057233	ELECTRIC HECTARIMETER ASSEMBLY	15
0501052014	CHAIN TIGHTENER AXLE ASSY	16
0909095802	ASSY SEED/FERTILIZER LINE	17
0501051481	SHORT LINE DD SEMI MOUNTED	18
0501051482	LONG LINE DD SEMI MOUNTED	19
0501050993	DOUBLE DISC ASSY	20
0909095959	FINE SEED BOX	21
0503060150	FINE SEED DISTRIBUTOR	22



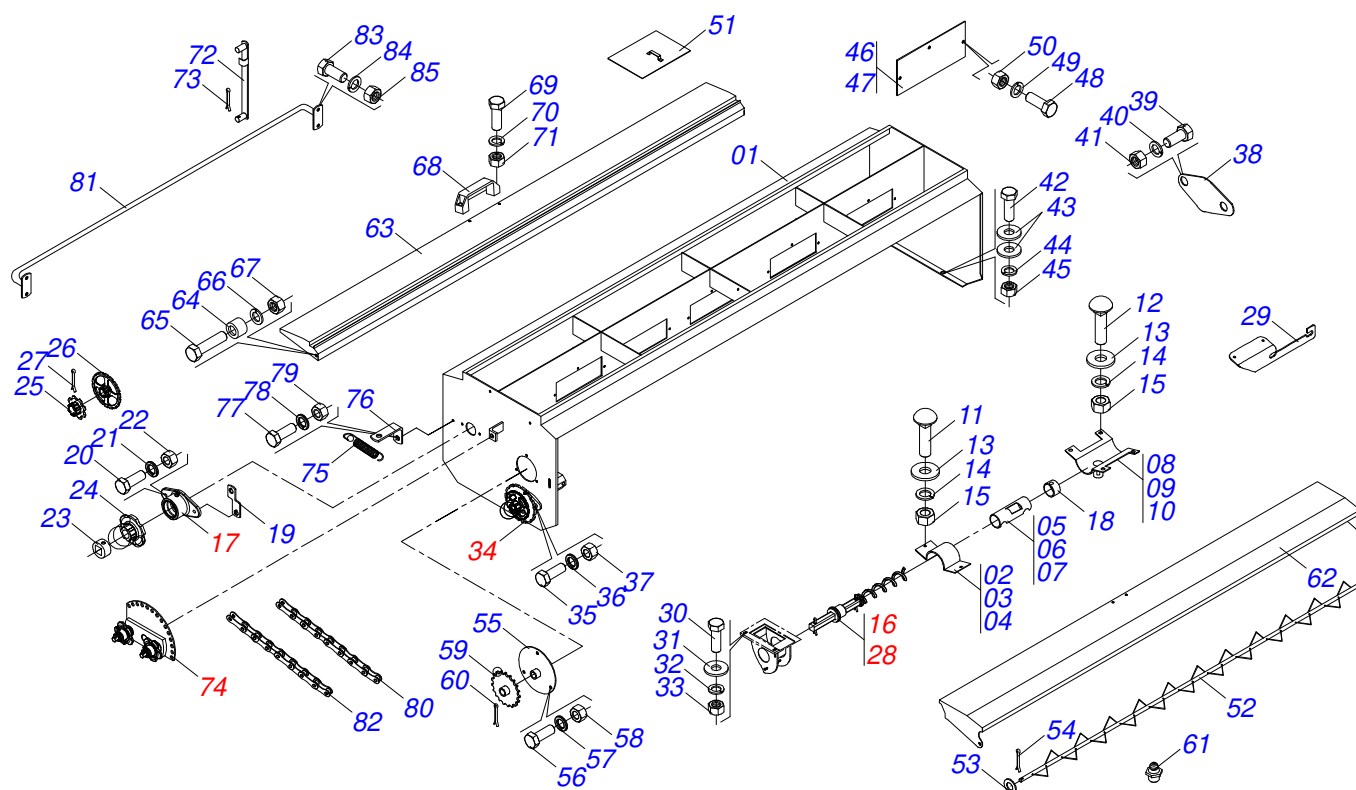
Item	Code	Description	See page	13 15
01	0501068859	FRAME		01 00
01.	0501068860	FRAME PSH3 15 ROW		00 01
02	0909095800	ASSY SEED/FERTILIZER BOX	2	01 01
03	0501068878	PLATFORM		01 00
03.	0501068844	112.4" PLATFORM		00 01
04	0501051537	LEFT STUB SHAFT HUB ASSY	10	01 01
05	0501051942	RIGHT STUB SHAFT HUB ASSY	11	01 01
06	0503060094	WHEEL AND TIRE ASSY	14	02 02
07	0511060374	PLOUGH SUPPORT 365		02 02
08	0521013310	0.5" X 3" COUPLING SHAFT		02 02
09	0503030168	HAIR PIN		02 02
10	0503010762	SCREW 5/8 UNC X 3.1/2 CS G.5 ZN		08 08
11	0503010027	5/8" SPRING WASHER		08 08
12	0503010013	5/8" NUT		08 08
13	0503011064	40-1 X 51 CHAIN LINK + MENDING		01 01
14	0501068842	LEFT CHAIN PROTECTION		01 01
15	0503010386	CABLE		04 04
16	0521013254	CHAIN PROTECTION COVER		02 02
17	0503010358	5/16" X 5/8" BOLT		04 04
18	0503010179	5/16" ZN SPRING WASHER		04 04
19	0503010337	5/16" NUT		04 04
20	0501068840	CHAIN TENSIONER		01 01
21	0503010920	1/2" X 1.1/2" BOLT		04 04
22	0503010019	1/2" SPRING WASHER		04 04
23	0503010060	1/2" NUT		04 04
24	0521010333	ROW LIFT AXLE		01 00
24.	0521010222	ROW LIFT AXLE		00 01
25	0501069212	GUIDE		01 01
26	0531017820	2.76" X 1.57" X 0.37" PLATE		01 01
27	0503010734	1/2" X 2-1/2" BOLT		02 02
28	0503010019	1/2" SPRING WASHER		02 02



PSH3
ASSY FRAME

Item	Code	Description	See page	13 15
29	0503010060	1/2" NUT		02 02
30	0511019257	BUSHING WITH HOLE SQUARE		05 05
31	0503010237	3/8" X 1" BOLT		05 05
32	0511013015	SLEEVE		01 01
33	0503010561	SPRING PIN		01 01
34	0521012322	CRANK LOCK		01 01
35	0503010004	1890 GREASE FITTING		01 01
36	0521010217	1.24" X 1.2" X 1.3" BUSHING		01 01
37	0561014861	REGULATOR		01 01
38	0503030878	LEVER CRANK		01 01
39	0503010838	0.1" X 0.8" SPRING PIN		01 01
40	0503034003	SERIAL NUMBER TAG 61 X 118		01 01
41	0503010001	3.2 X 5.5 RIVET		08 08
42	0503030886	SCALE DOSER		01 01
43	0503033887	ADHESIVE LABEL		02 02
44	0503033886	ADHESIVE LABEL		02 02
45	0503033853	ADHESIVE LABEL		02 02
46	0503032061	ADHESIVE LABEL DANGER PLATFORM		01 01
47	0503034647	ADHESIVE LABEL COLORS		01 01
48	0521011107	CRANK BODY		01 01
49	0501057233	ELECTRIC HECTARIMETER ASSEMBLY	15	01 01
50	0501052014	CHAIN TIGHTENER AXLE ASSY	16	02 02
51	0521010578	COUPLING SHAFT		01 01
52	0503030085	LOCK PIN		01 01
53	0501047821	FINE SEED BOX ASSY		00 01
54	0909095802	ASSY SEED/FERTILIZER LINE	17	13 15

ASSY SEED/FERTILIZER BOX



Item	Code	Description	See page	13 15
01	0501068862	BOX FERTILIZER SEED		01 00
01.	0501068863	BOX FERTILIZER SEED		00 01
02	0511019115	FIXER FERTILIZER CONDUCTOR 257		01 01
03	0511019233	3.07 FERTILIZER CONDUCTOR FIXER		01 01
04	0511019234	3.93 FERTILIZER CONDUCTOR FIXER		13 15
05	0511019238	3.30 FERTILIZER TUBE		01 01
06	0511019239	6.89 FERTILIZER TUBE		12 14
07	0511019237	7.79 FERTILIZER TUBE		01 01
08	0501068547	LEFT SIDE FERTILIZER CONDUCTOR		01 01
09	0501068533	LEFT FERTILIZER CONDUCTOR		11 11
10	0501068823	RIGHT SIDE FERTILIZER CONDUCTOR		01 01
11	0503011953	5/16" X 1" BOLT		04 04
12	0503011952	5/16" X 3/4" BOLT		52 60
13	0521011039	FLAT WASHER		56 64
14	0503011444	SPRING WASHER		56 64
15	0503010337	5/16" NUT		56 64
16	0501051478	SEMI MOUNTED LEFT FERTILIZER SYSTEM 3 SHAFT		01 00
16.	0501057660	SEMIFINISHED AXLE FERTILIZER	4	00 01
17	0501051366	BEARING ASSY	5	01 01
18	0511019183	1.51" X 2.08" X 1.06" SLEEVE		01 01
19	0501011768	SPRING FIXER		01 01
20	0503010237	3/8" X 1" BOLT		02 02
21	0503011443	3/8" SPRING WASHER		02 02
22	0503010026	3/8" NUT		02 02
23	0502011300	BUSHING GEAR		01 01
24	0502011314	8Z P 1.1/4" RH1.4" GEAR		01 01
25	0502011306	6Z P 1.2" RH 1.4" GEAR		02 02
26	0502011345	18Z P 1.25" RH1.3/8" GEAR		01 01
27	0503010010	1/4" X 2.1/2" COTTERPIN		01 01
28	0501051380	LEFT MOUNTED SEMI SEED SYSTEM	6	01 01
28.	0501051393	SEED SYSTEM ASSY	7	00 01



ASSY SEED/FERTILIZER BOX

0909095800

Item	Code	Description	See page	13 15
29	0531014907	SCALE SUPPORT		02 02
30	0503013813	1/4" UNC X 7/8" BOLT		52 60
31	0511017303	FLAT WASHER		104 120
32	0503011441	SPRING WASHER		52 60
33	0503010144	1/4" NUT		52 60
34	0501053462	LEFT BEARING BOX FOR FINE SEED	8	01 01
35	0503010237	3/8" X 1" BOLT		02 02
36	0503011443	3/8" SPRING WASHER		02 02
37	0503010026	3/8" NUT		02 02
38	0521010190	BOX COVER		02 02
39	0503010256	3/8" X 3/4" BOLT		04 04
40	0503010025	3/8" SPRING WASHER		04 04
41	0503010026	3/8" NUT		04 04
42	0503010751	C3/8" X 1.1/4" HEX BOLT G.5		04 04
43	0501010984	FLAT WASHER		08 08
44	0503010025	3/8" SPRING WASHER		04 04
45	0503010026	3/8" NUT		04 04
46	0511019132	COVER DIVIDING BOX		03 03
47	0511019133	COVER DIVIDING BOX		01 01
48	0503013758	1/4" X 1-1/2" BOLT		12 14
49	0503010143	1/4" SPRING WASHER		12 14
50	0503010144	1/4" NUT		12 14
51	0501068892	FERTILIZER/SEED FALSE BOTTOM		04 04
51.	0501069273	FERTILIZER/SEED FALSE BOTTOM		00 04
52	0501068886	103.54" MIXER		01 00
52.	0501068631	MIXER		00 01
53	0521815818	FLAT WASHER 26 X 41.50 X 0.50		03 03
54	0503010571	1/4" X 1.1/2 COTTERPIN		01 01
55	0501068514	SIDE MIXER BEARING		02 02
56	0503010256	3/8" X 3/4" BOLT		06 06
57	0503010025	3/8" SPRING WASHER		06 06
58	0503010026	3/8" NUT		06 06
59	0501068515	30Z GEAR		01 01
60	0503010523	1/4" X 2" COTTERPIN		01 01
61	0503010002	1800 GREASE FITTING		02 02
62	0501068872	SEED BOX COVER		01 00
62.	0501068845	SEED BOX COVER		00 01
63	0501068873	FERTILIZER BOX COVER		01 00
63.	0501068846	SEED BOX COVER		00 01
64	0521010223	BOX COVER BUSHING		04 04
65	0503010365	NUT		04 04
66	0503010179	5/16" ZN SPRING WASHER		04 04
67	0503010337	5/16" NUT		04 04
68	0503011907	PMC 594-S NYLON LUG		02 02
69	0503010365	NUT		04 04
70	0503010179	5/16" ZN SPRING WASHER		04 04
71	0503010337	5/16" NUT		04 04
72	0501068841	COVER PIVOT		02 02
73	0503010140	1/8" X 3/4" COTTERPIN		02 02
74	0501043283	ASSY LEFT CHAIN STRETCHER	9	01 01
75	0503030093	TRACTION SPRING		01 01
76	0511016005	FIXER L COVER INNER/OUTER		04 04
77	0503011087	3/8" X 1" BOLT		04 04
78	0503010025	3/8" SPRING WASHER		04 04
79	0503010026	3/8" NUT		04 04
80	0503010988	2050 CHAIN X 35 LINK + MENDING		01 01
81	0501069927	HANDRAIL		01 01
81.	0501069929	97.24 HANDRAIL		00 01
82	0503011955	2050 CHAIN X 46 LINK + REDUCTION		01 01

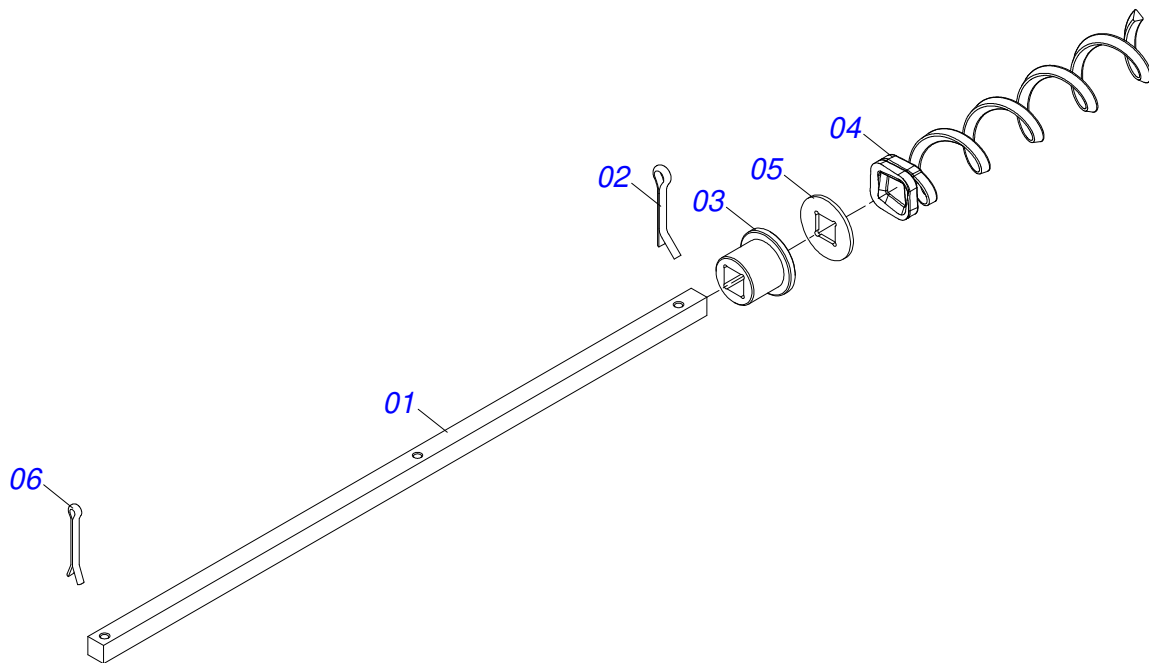


ASSY SEED/FERTILIZER BOX

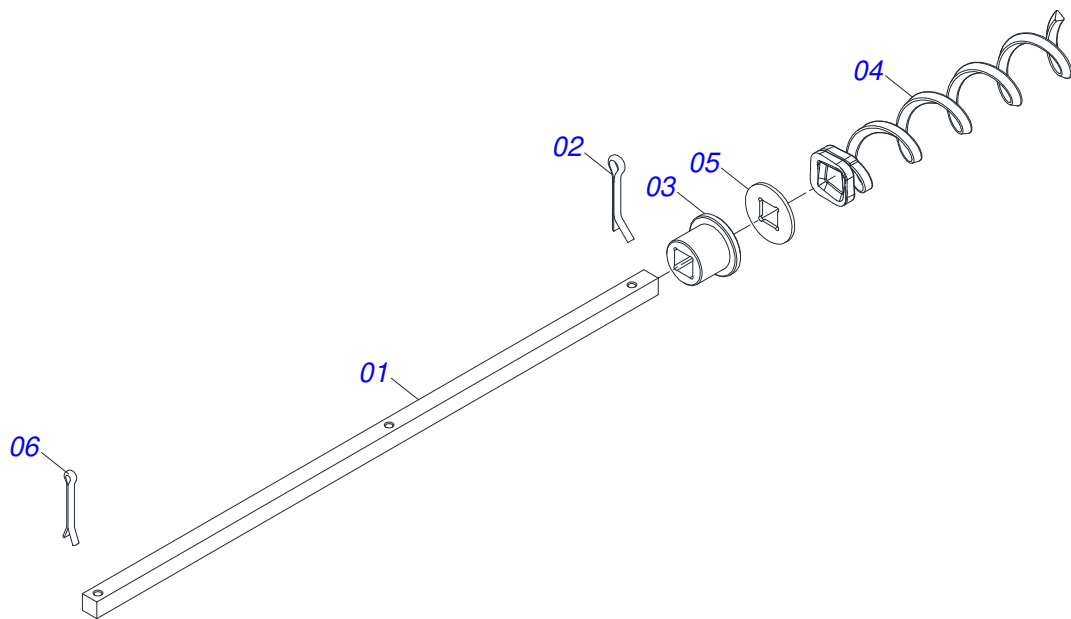
0909095800

Item	Code	Description	See page	13 15
83	0503010358	5/16" X 5/8" BOLT		04 04
84	0503010179	5/16" ZN SPRING WASHER		04 04
85	0503010337	5/16" NUT		04 04

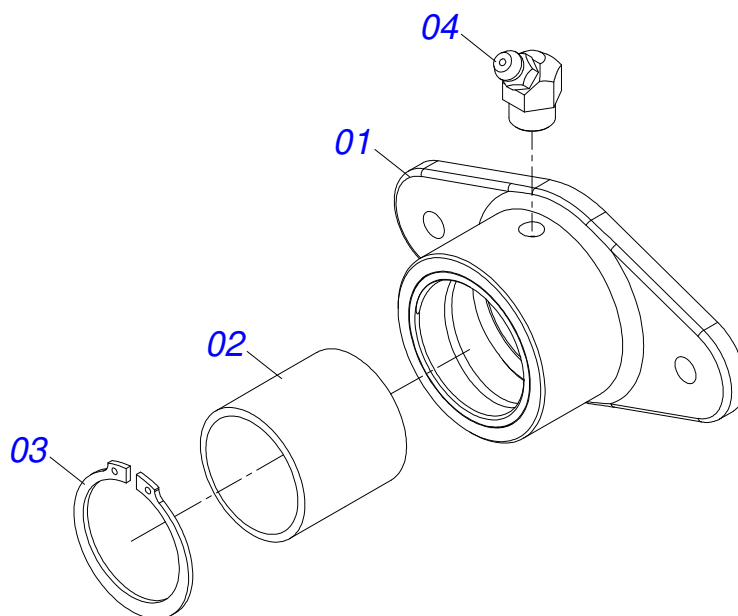
SEMI MOUNTED LEFT FERTILIZER SYSTEM SHAFT



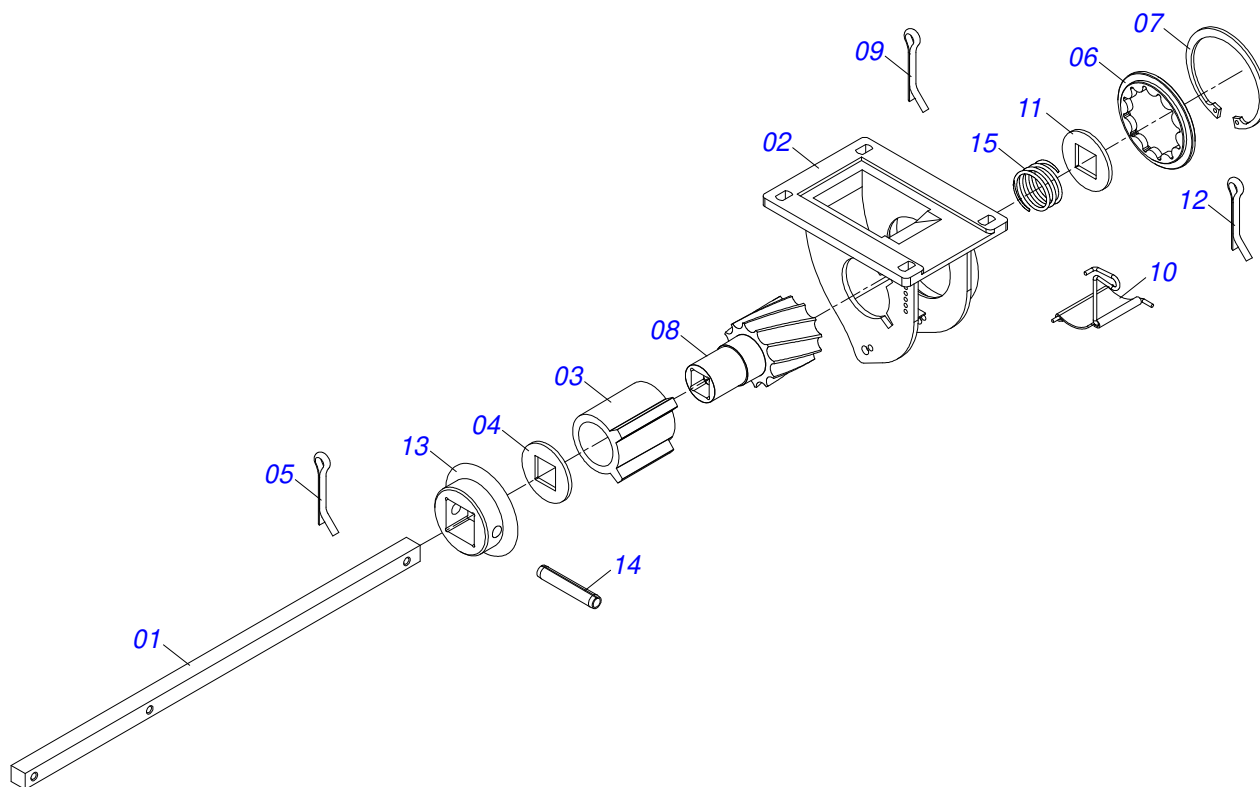
Item	Code	Description	See page	QT
01	0511019294	LEFT BOX FERTILIZER AXLE		01
02	0503010362	1/8" X 1.1/4" COTTERPIN		01
03	0503030275	AGRICULTURAL BEARING		01
04	0503031174	RIGHT HELICAL SPRING		13
05	0511019256	LOCK WASHER		15
06	0503010577	3/16" X 1-1/4" COTTERPIN		15



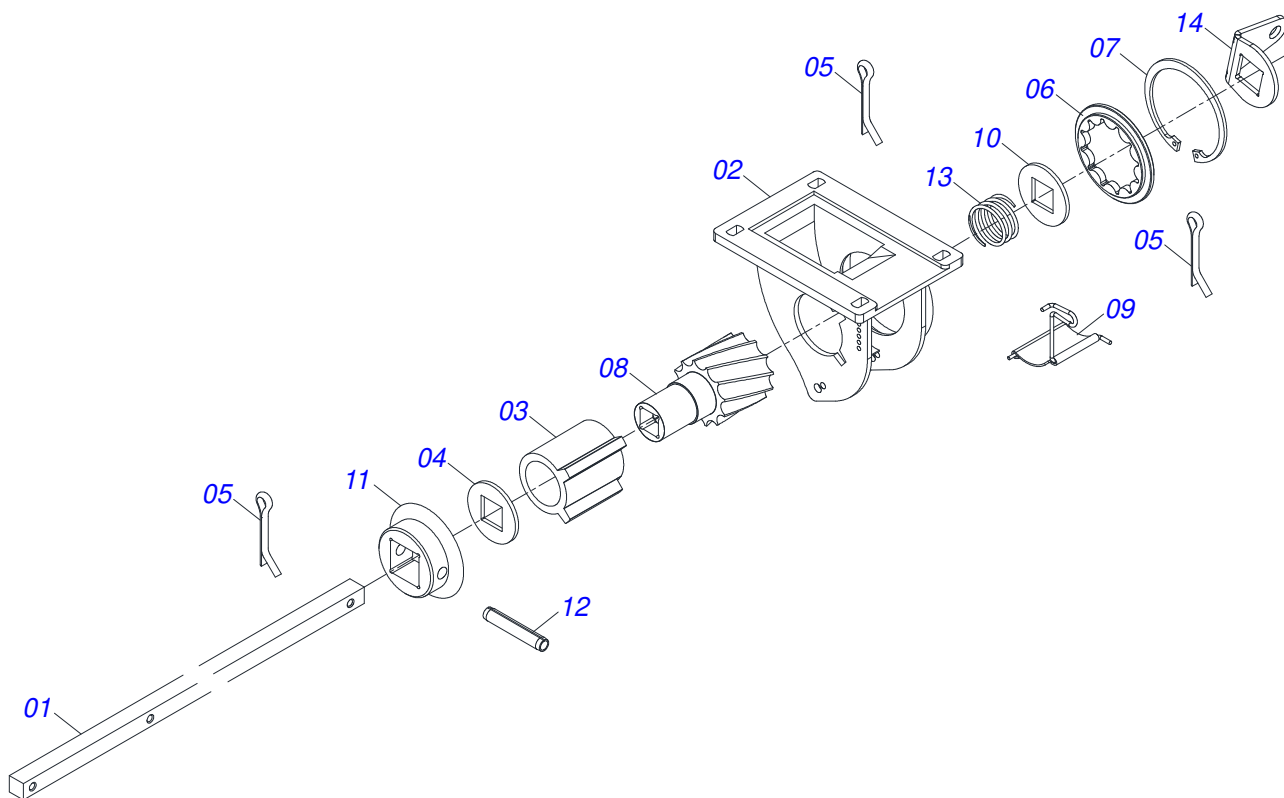
Item	Code	Description	See page	QT
01	0511019375	BOX FERTILIZER AXLE		01
02	0503010362	1/8" X 1.1/4" COTTERPIN		01
03	0503030275	AGRICULTURAL BEARING		02
04	0503031176	HELICAL CONDUTOR		15
05	0511019256	LOCK WASHER		17
06	0503010577	3/16" X 1-1/4" COTTERPIN		17



Item	Code	Description	See page	QT
01	0501110250	BEARING BOX		01
02	0511019194	BEARING REEL		01
03	0503010372	501050 CLAMPING RING (FOR AXLE)		01
04	0503010003	1845 GREASE FITTING		01

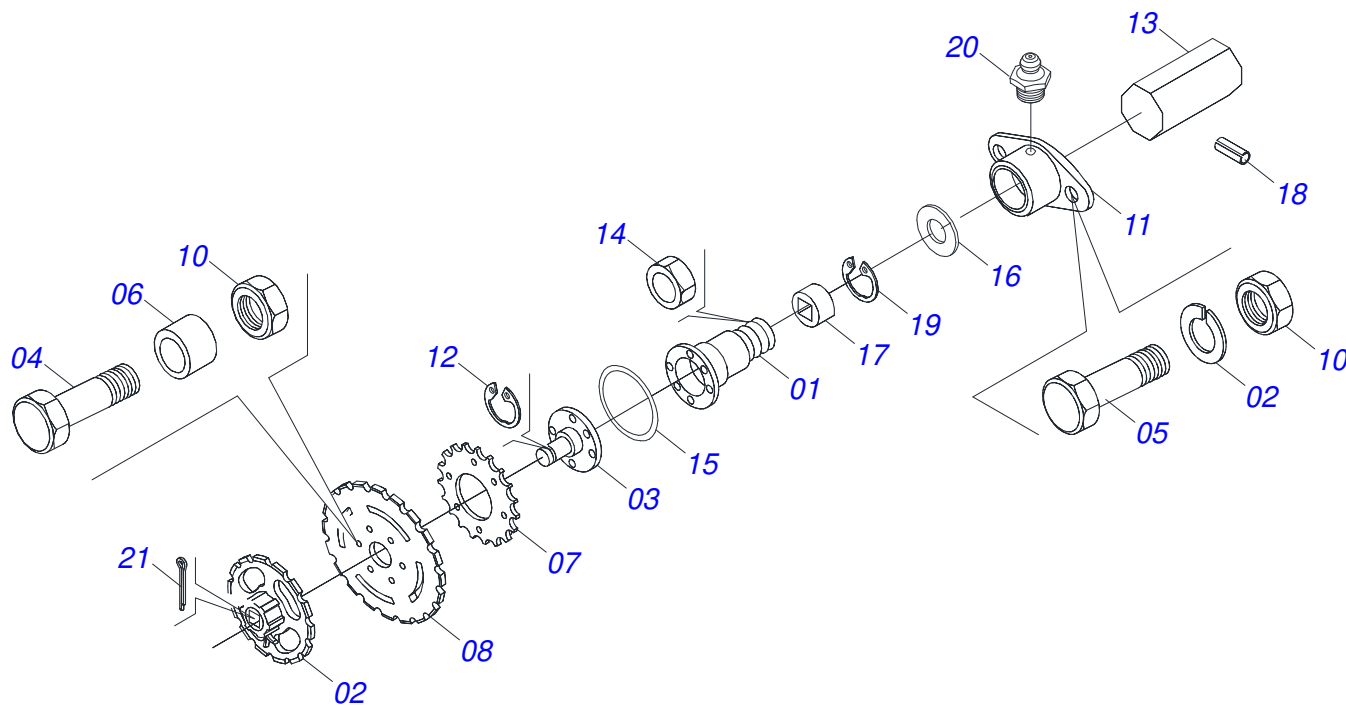


Item	Code	Description	See page	QT
01	0511019295	SEED BOX AXLE		01
02	0503030180	SEED DISTRIBUTOR BOX		13
03	0503010366	ROTOR GUIDE		13
04	0501010637	FLAT WASHER		13
05	0503010297	5/32" X 1.1/4" COTTER PIN		13
06	0501011064	ROTOR WHASHER		13
07	0503010370	502072 CLAMPING RING (FOR AXLE)		13
08	0502010950	ROTOR		13
09	0503010297	5/32" X 1.1/4" COTTER PIN		13
10	0501040236	SEED LIMETER		13
11	0501010637	FLAT WASHER		01
12	0503010297	5/32" X 1.1/4" COTTER PIN		01
13	0503032077	LARGE DOSER		01
14	0503010838	0.1" X 0.8" SPRING PIN		01
15	0503030189	COMPRES SPRING		13

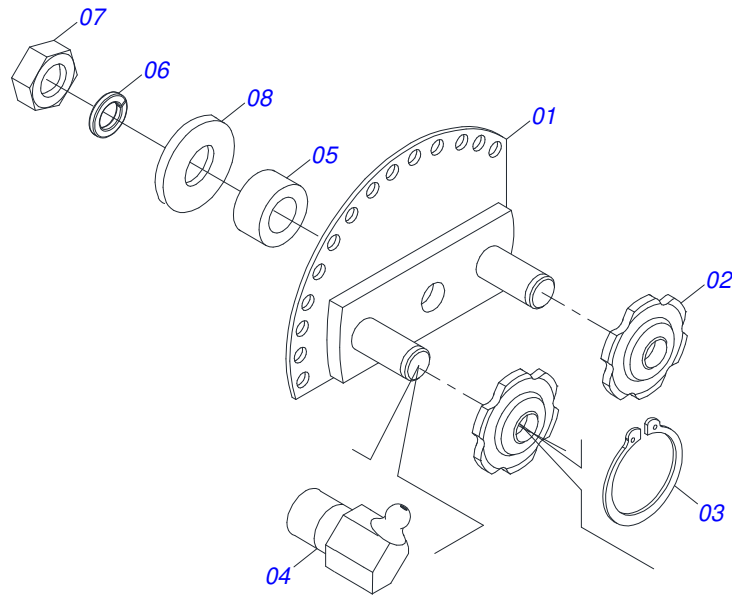


Item	Code	Description	See page	QT
01	0511019376	SEED BOX AXLE		01
02	0503030180	SEED DISTRIBUTOR BOX		15
03	0503010366	ROTOR GUIDE		15
04	0501010637	FLAT WASHER		15
05	0503010297	5/32" X 1.1/4" COTTER PIN		31
06	0501011064	ROTOR WHASHER		15
07	0503010370	502072 CLAMPING RING (FOR AXLE)		15
08	0502010950	ROTOR		15
09	0501040236	SEED LIMETER		15
10	0501010637	FLAT WASHER		01
11	0503032077	LARGE DOSER		01
12	0503010838	0.1" X 0.8" SPRING PIN		01
13	0503030189	COMPRES SPRING		15
14	0571017623	MAGNET FIXER		01

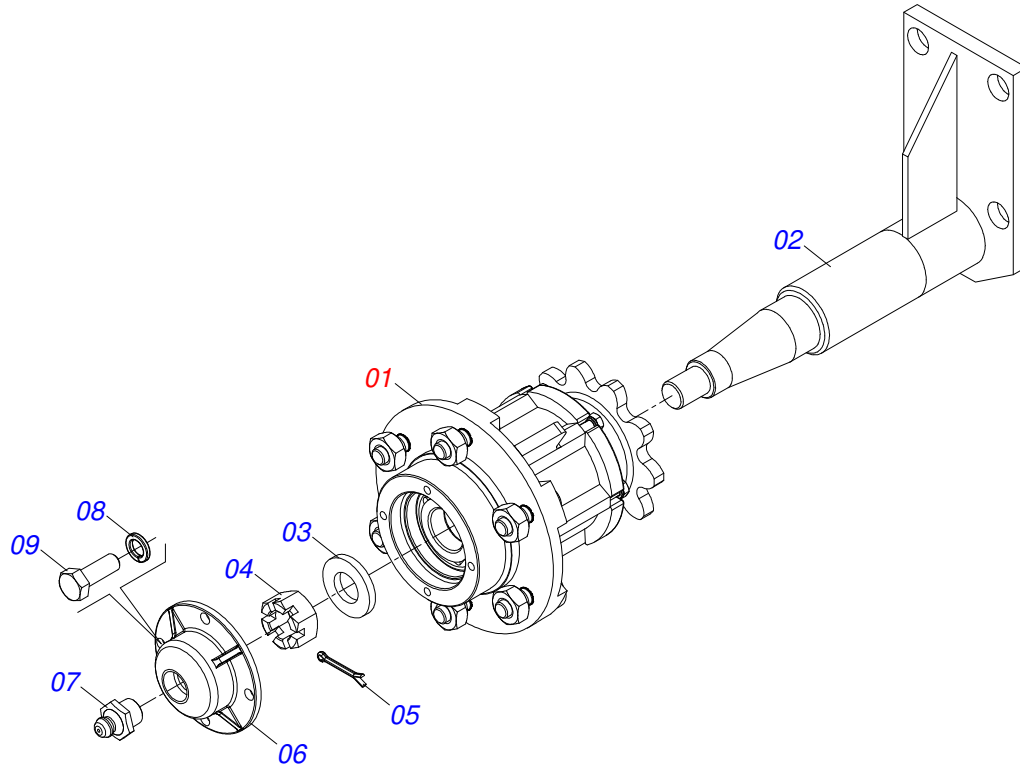
LEFT BEARING BOX FOR FINE SEED



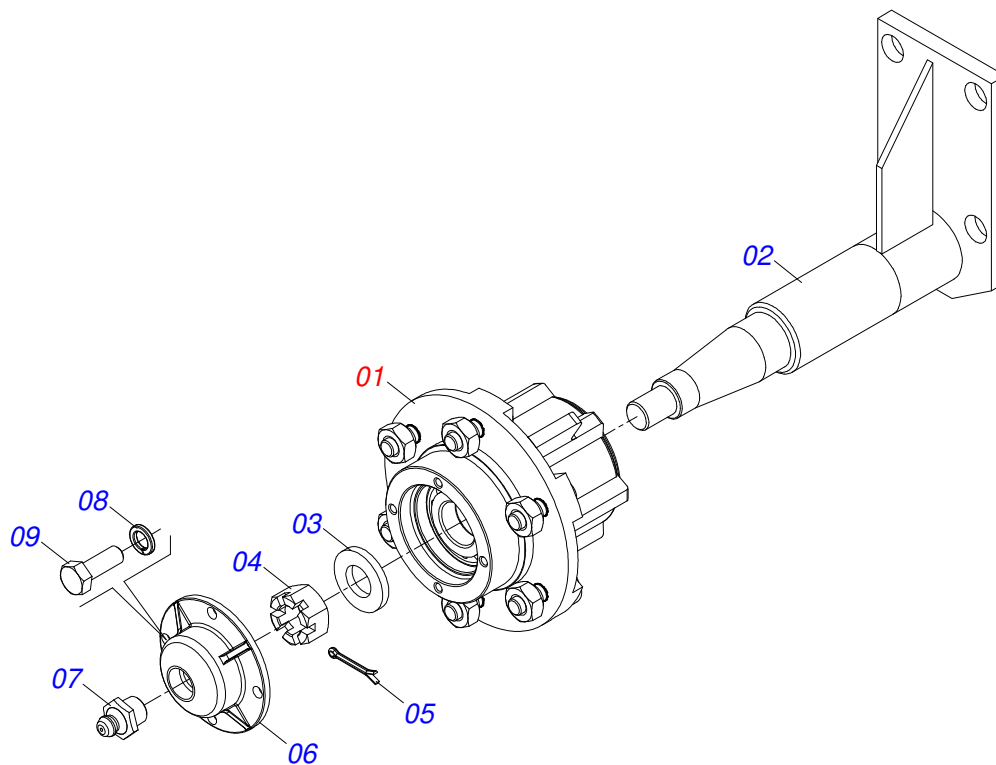
Item	Code	Description	See page	QT
01	0502040527	SEED BOX FINE BEARING REEL		01
02	0561011361	WHEEL TOOTH		01
03	0511011139	GEAR FLANGE		01
04	0503010365	NUT		03
05	0503011766	5/16" X 2-1/2" BOLT		03
06	0521010743	0.3" X 0.6" X 0.8" SLEEVE		03
07	0511013557	30Z P 0.5" RH1.2.9" GEAR		01
08	0502011352	20Z GEAR		01
09	0503011444	SPRING WASHER		06
10	0503010337	5/16" NUT		06
11	0501110250	BEARING BOX		01
12	0503010372	501050 CLAMPING RING (FOR AXLE)		01
13	0502012130	LH SEED REGULATOR		01
14	0502012131	LEFT SEED REGULATOR		01
15	0503012918	2-327 N 3006-9B O'RING		01
16	0541010247	FLAT WASHER		01
17	0502012197	0.76" X 1.81" X 0.06" SLEEVE		01
18	0503010561	SPRING PIN		01
19	0503011105	SEAL RING		01
20	0503010691	1/4" GREASE FITTING		02
21	0503010010	1/4" X 2.1/2" COTTERPIN		01



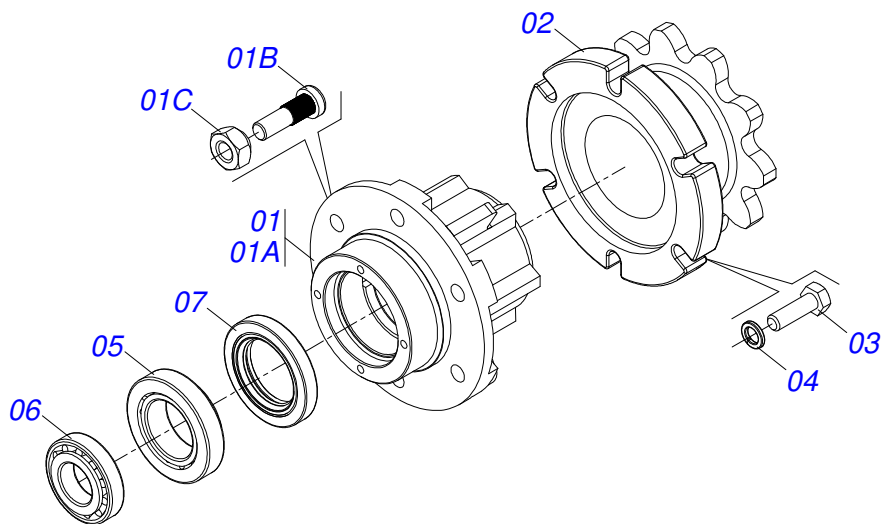
Item	Code	Description	See page	QT
01	0501064951	LEFT CHAIN TENSIONER		01
02	0502012317	WHEEL TOOTH		02
03	0503010302	501019 SEAL RING		02
04	0503010004	1890 GREASE FITTING		02
05	0511014513	1" X 0.6" X 0.4" ARTICULAT SLEEVE		01
06	0503010027	5/8" SPRING WASHER		01
07	0503010013	5/8" NUT		01
08	0501012140	FLAT WASHER		01



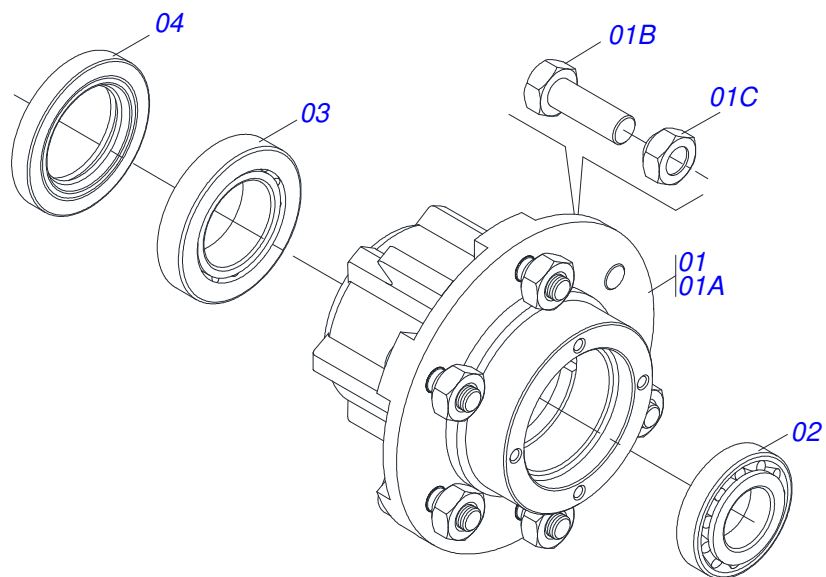
Item	Code	Description	See page	QT
01	0511050886	ASSY WHEEL BOX	12	01
02	0501068868	CARRYING-WHEEL		01
03	0501016545	FLAT WASHER		01
04	0503030009	1" CASTLE NUT		01
05	0503010018	5/32 X 1-1/2 COTTERPIN		01
06	0502020591	PROTECCION COVER		01
07	0503010002	1800 GREASE FITTING		01
08	0503011444	SPRING WASHER		04
09	0503010358	5/16" X 5/8" BOLT		04



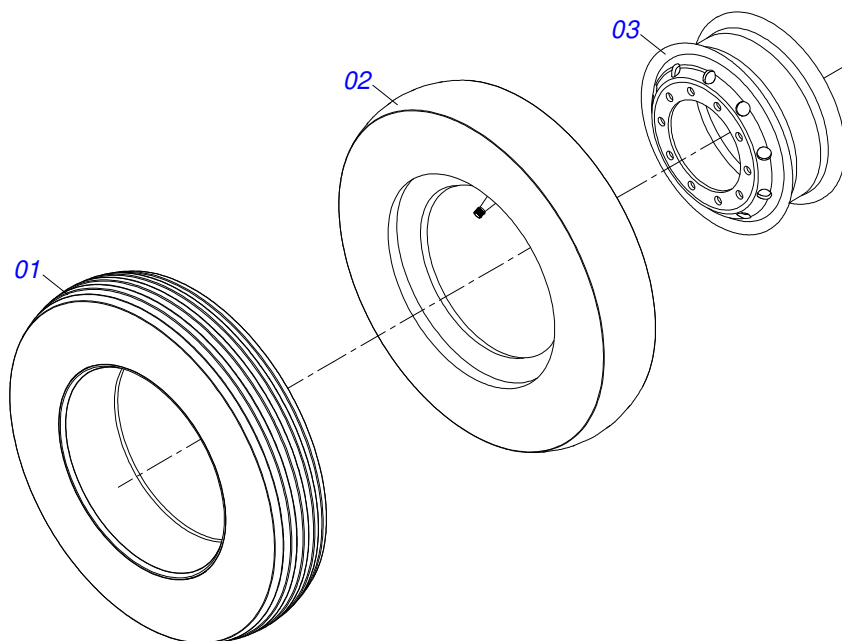
Item	Code	Description	See page	QT
01	0501051142	CARRYING WHEEL HUB	13	01
02	0501068868	CARRYING-WHEEL		01
03	0501016545	FLAT WASHER		01
04	0503030009	1" CASTLE NUT		01
05	0503010018	5/32 X 1-1/2 COTTERPIN		01
06	0502020591	PROTECCION COVER		01
07	0503010002	1800 GREASE FITTING		01
08	0503011444	SPRING WASHER		04
09	0503010358	5/16" X 5/8" BOLT		04
10	1882970002	GREASE SOAP		00



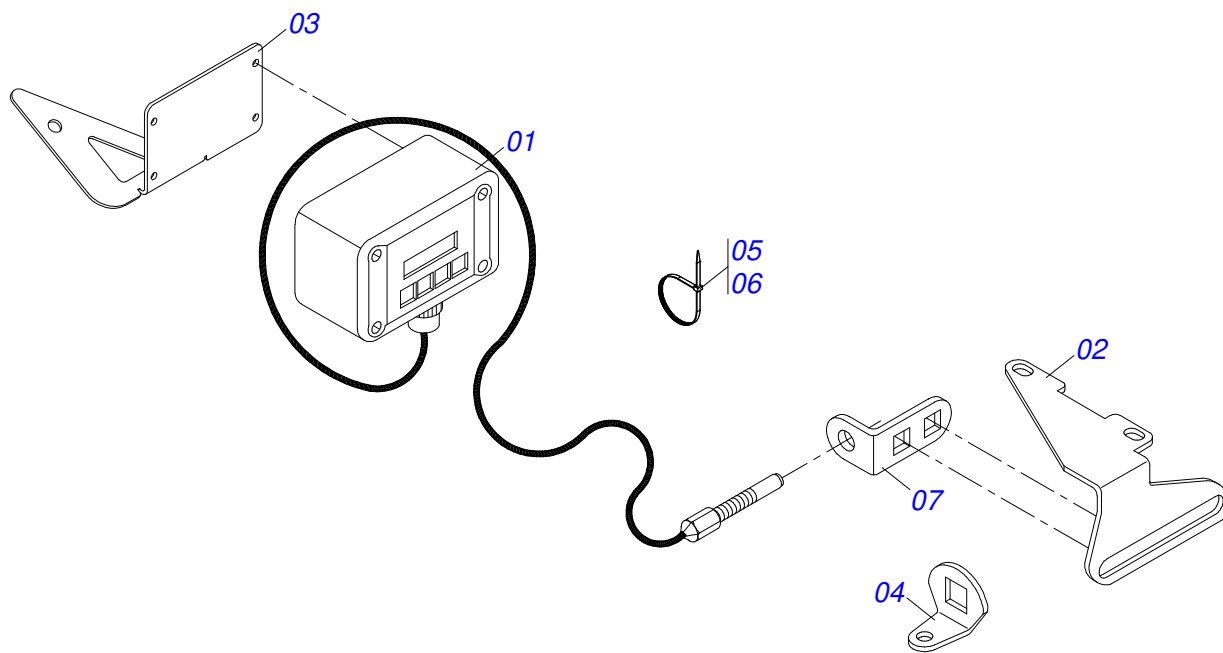
Item	Code	Description	See page	QT
01	0501110832	HUB CARRYING WHEELS WITH BOLT		01
01A	0502011065	HUB		01
01B	0501010127	9/16" X 1-7/8" LUG BOLT		06
01C	0503013001	9/16" CONICAL NUT		06
02	0502011550	FLANGE		01
03	0503010371	5/16" X 1" BOLT		06
04	0503011444	SPRING WASHER		06
05	0503010006	32210 ROLLER BEARING		01
06	0503010037	30207 ROLLER BEARING		01
07	0503012928	SEAL		01
08	1882970002	GREASE SOAP		00



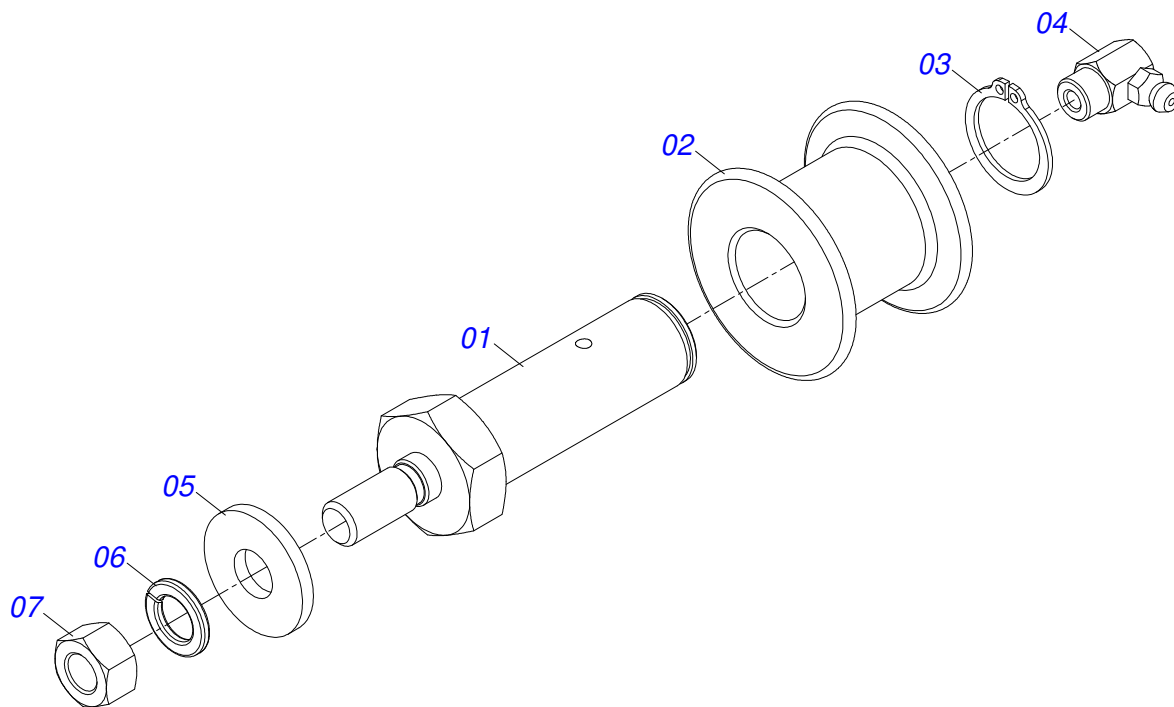
Item	Code	Description	See page	QT
01	0501110728	WHEEL HUB		01
01A	0502011121	CARRYING WHEEL HUB		01
01B	0501010127	9/16" X 1-7/8" LUG BOLT		06
01C	0503010035	9/16" CONIC NUT		06
02	0503010037	30207 ROLLER BEARING		01
03	0503010006	32210 ROLLER BEARING		01
04	0503012928	SEAL		01



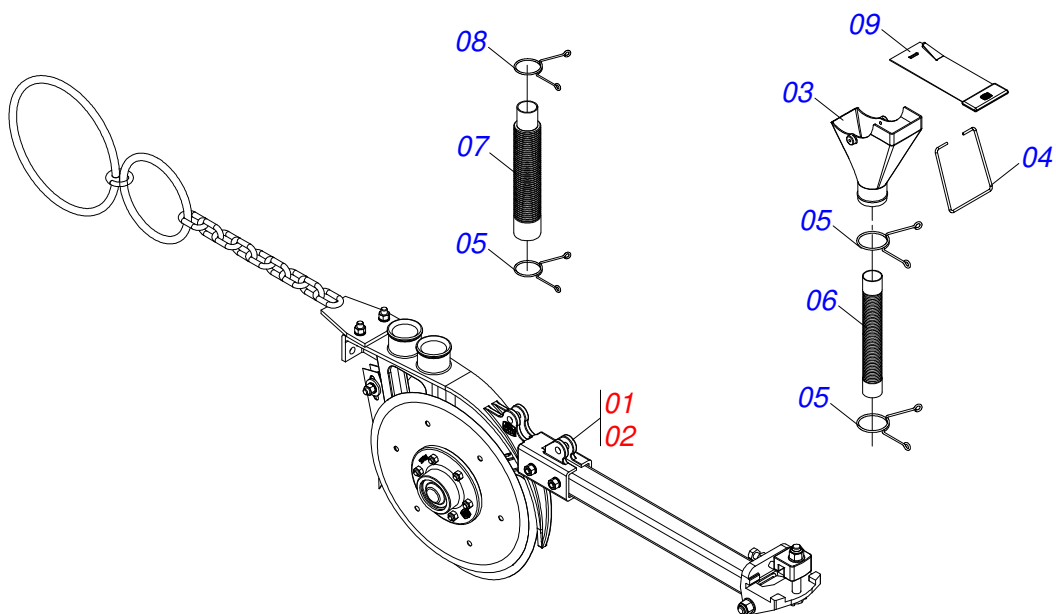
Item	Code	Description	See page	QT
01	0503010065	CANVAS TIRE		01
02	0503010068	6.00 X 16 INNER TIRE		01
03	0503010894	0.2"X0.6"X4.6"X6F0.6"X6" WHEEL		01



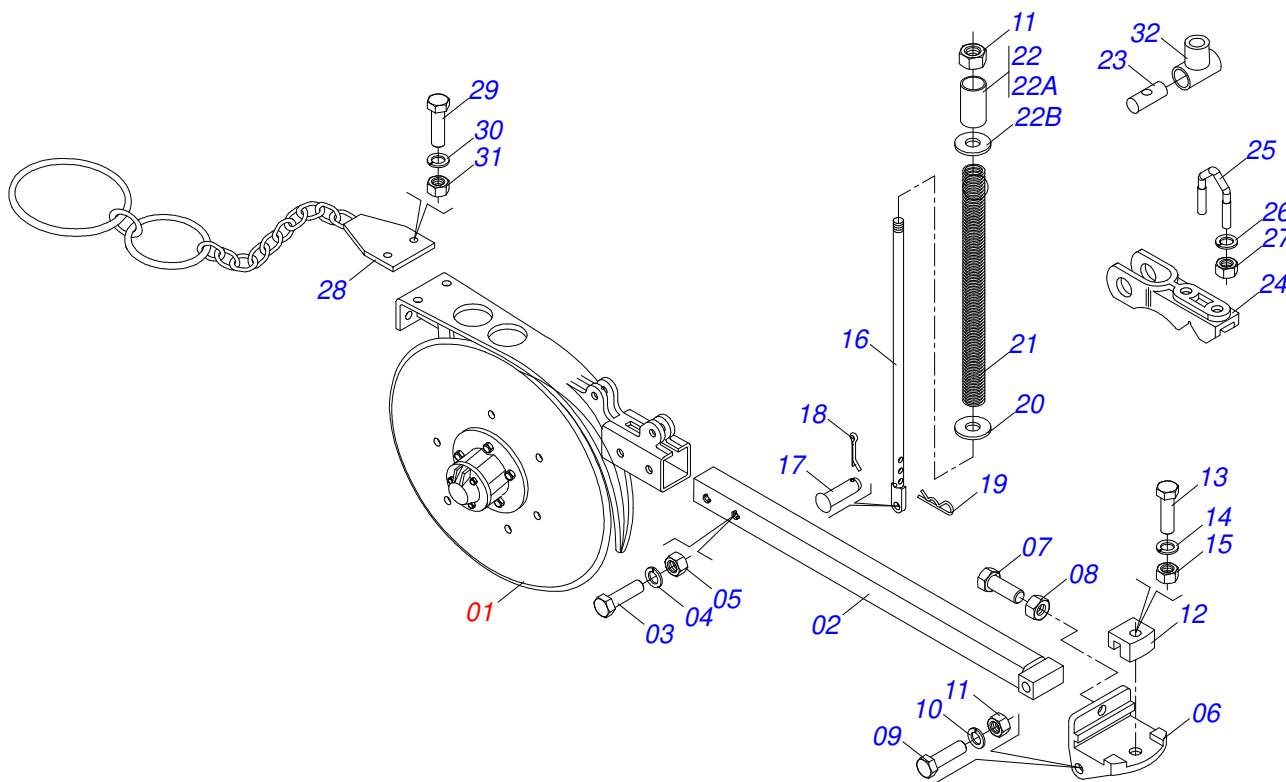
Item	Code	Description	See page	QT
01	0503060718	ELECTRONIC BLADE HECTARE		01
02	0551011948	FIXER BLADE HECTARE		01
03	0551011947	FIXER COUNTER HECTARE		01
04	0541013031	HETARE MAGNET FASTENER		01
05	0503010267	NYLON CLAMP		02
06	0503013100	NYLON CLAMP		01
07	0541015265	RECEIVER MAGNETIC SUPPORT		01
08	1881740002	ADHESIVE GLUE		00



Item	Code	Description	See page	QT
01	0511010919	CHAIN TIGHTENER AXLE		01
02	0503030402	PULLEY		01
03	0503010302	501019 SEAL RING		01
04	0503010004	1890 GREASE FITTING		01
05	0501010984	FLAT WASHER		01
06	0503010025	3/8" SPRING WASHER		01
07	0503010026	3/8" NUT		01



Item	Code	Description	See page	QT
01	0501051481	SHORT LINE DD SEMI MOUNTED	18	01
02	0501051482	LONG LINE DD SEMI MOUNTED	19	01
03	0503010369	SEED SOCKET		01
04	0503030756	SOCKET FASTENER		01
05	0503031076	2" HOSE CLAMP		01
06	0503030408	2X2X390 HOSE		01
07	0503010368	1.1/2" X 2" X 12.2" HOSE		01
08	0503030887	1-1/2" HOSE CLAMP		01
09	0503050060	SEED DISTRIBUTOR BOX SWITCH		01



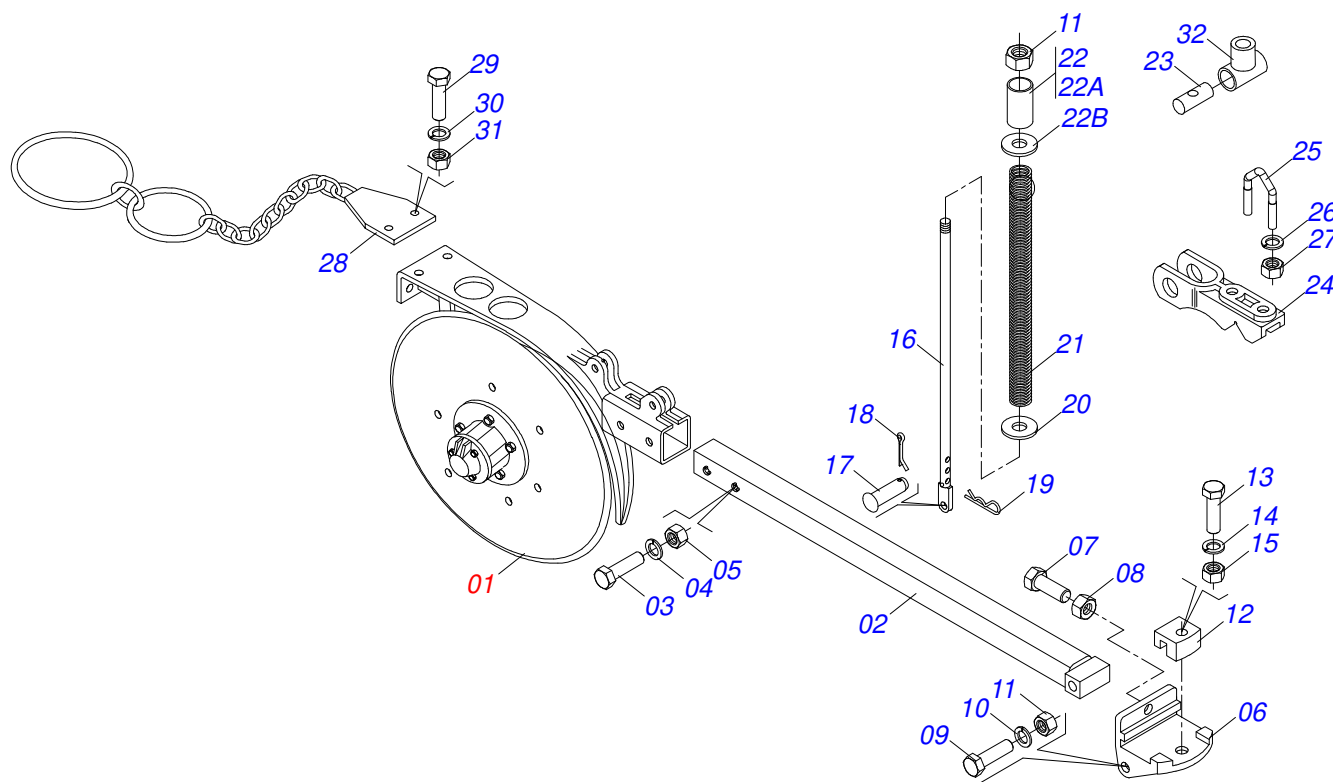
Item	Code	Description	See page	QT
01	0501050993	DOUBLE DISC ASSY	20	01
02	0501066678	SMALLER ARM ROW		01
03	0503011268	3/8" X 2-1/2" BOLT		02
04	0503010025	3/8" SPRING WASHER		02
05	0503010026	3/8" NUT		02
06	0502010693	ROW SUPPORT ARTICULACION		01
07	0503013082	M10 X 1,5 X 70 BOLT		01
08	0503011051	M10 X 0.6" NUT		01
09	0503010706	SCREW 1/2 UNC X 4.1/2 C S G.5 ZN		01
10	0503010019	1/2" SPRING WASHER		01
11	0503010060	1/2" NUT		01
12	0502011210	ROW FASTENER		01
13	0503010752	1/2" X 3.1/2" BOLT		01
14	0503010019	1/2" SPRING WASHER		01
15	0503010060	1/2" NUT		01
16	0511064181	SPRING REGULACION		01
17	0521010539	0.3" X 1.2" COUPLING SHAFT		01
18	0503010140	1/8" X 3/4" COTTERPIN		01
19	0503030168	HAIR PIN		02
20	0511017302	FLAT WASHER		01
21	0503031516	0.98" X 14.17" X 0.16" SPRING		01
22	0501051590	BUSHING ASSY		01
22A	0521010505	13,50 X 19,00 X 21,50 SLEEVE		01
22B	0511017302	FLAT WASHER		01
23	0531016737	ROD GUIDE AJUSTER ROW		01
24	0502011675	SUPPORT GUIDE FIXER SPRING		01
25	0521010655	1/2" X 3.34" X 2.12" FASTENER		01
26	0503010019	1/2" SPRING WASHER		02
27	0503010060	1/2" NUT		02
28	0511060564	PRESS WHEEL COVERING CHAIN ASSY		01
29	0503011087	3/8" X 1" BOLT		02



SHORT LINE DD SEMI MOUNTED

0501051481

Item	Code	Description	See page	QT
30	0503010025	3/8" SPRING WASHER		02
31	0503010026	3/8" NUT		02
32	0502012123	SPRING GUIDES UPPER		01



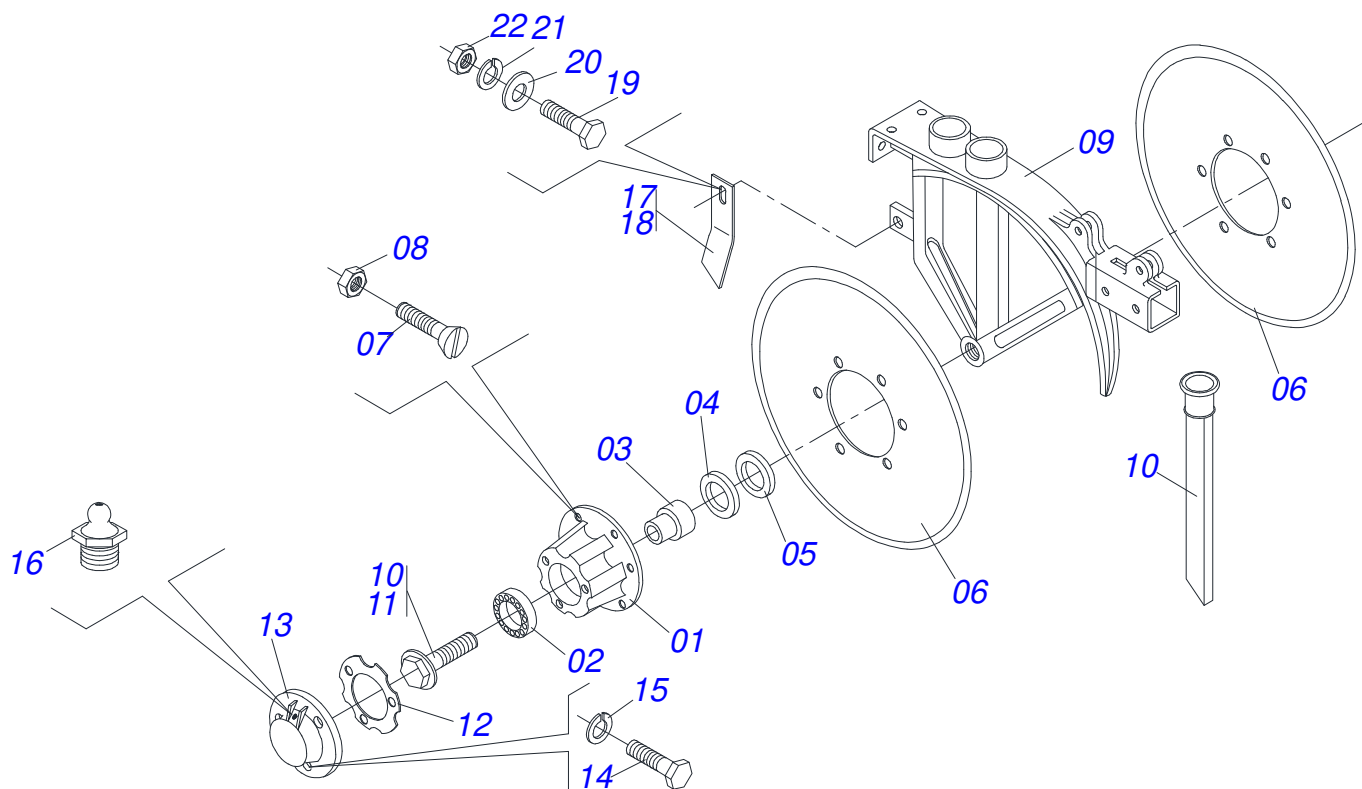
Item	Code	Description	See page	QT
01	0501050993	DOUBLE DISC ASSY	20	01
02	0511060425	LARGER ARM ROW		01
03	0503011268	3/8" X 2-1/2" BOLT		02
04	0503010025	3/8" SPRING WASHER		02
05	0503010026	3/8" NUT		02
06	0502010693	ROW SUPPORT ARTICULACION		01
07	0503013082	M10 X 1,5 X 70 BOLT		01
08	0503011051	M10 X 0.6" NUT		01
09	0503010706	SCREW 1/2 UNC X 4.1/2 C S G.5 ZN		01
10	0503010019	1/2" SPRING WASHER		01
11	0503010060	1/2" NUT		01
12	0502011210	ROW FASTENER		01
13	0503010752	1/2" X 3.1/2" BOLT		01
14	0503010019	1/2" SPRING WASHER		01
15	0503010060	1/2" NUT		01
16	0511064181	SPRING REGULACION		01
17	0521010539	0.3" X 1.2" COUPLING SHAFT		01
18	0503010140	1/8" X 3/4" COTTERPIN		01
19	0503030168	HAIR PIN		02
20	0511017302	FLAT WASHER		01
21	0503031516	0.98" X 14.17" X 0.16" SPRING		01
22	0501051590	BUSHING ASSY		01
22A	0521010505	13,50 X 19,00 X 21,50 SLEEVE		01
22B	0511017302	FLAT WASHER		01
23	0531016737	ROD GUIDE AJUSTER ROW		01
24	0502011675	SUPPORT GUIDE FIXER SPRING		01
25	0521010655	1/2" X 3.34" X 2.12" FASTENER		01
26	0503010019	1/2" SPRING WASHER		02
27	0503010060	1/2" NUT		02
28	0511060564	PRESS WHEEL COVERING CHAIN ASSY		01
29	0503011087	3/8" X 1" BOLT		02



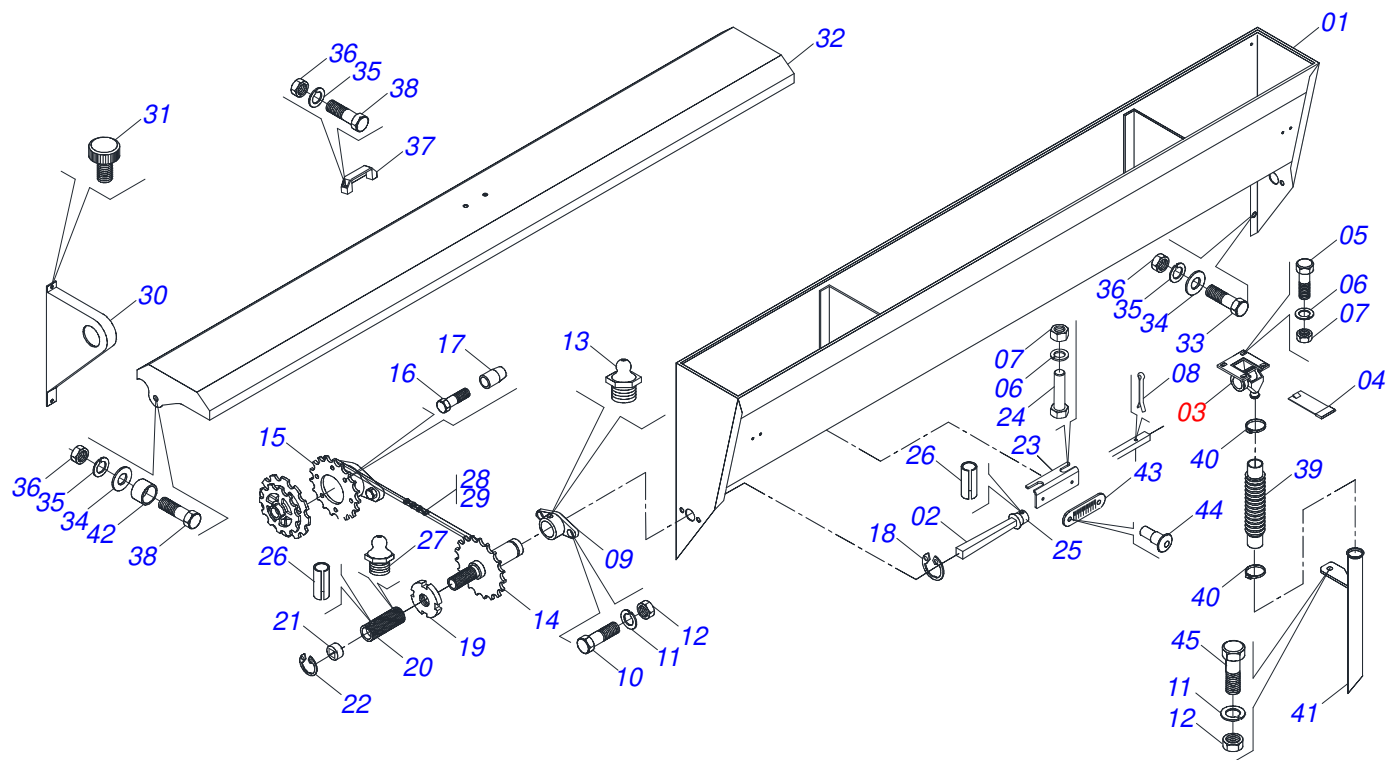
LONG LINE DD SEMI MOUNTED

0501051482

Item	Code	Description	See page	QT
30	0503010025	3/8" SPRING WASHER		02
31	0503010026	3/8" NUT		02
32	0502012123	SPRING GUIDES UPPER		01



Item	Code	Description	See page	QT
01	0502011273	DOUBLE DISC HUB		02
02	0503010276	6206 BALL BEARING		02
03	0501011832	HUB DOUBLE DISC PASSANG AXLE		02
04	0503010526	3011 SEAL RING		02
05	0503010525	00797-BA SEAL		02
06	0603020040	13" X 0.12" PLAIN COULTER BLADE		02
07	0503010546	5/16" X 7/8" BOLT		12
08	0503010337	5/16" NUT		12
09	0502010977	DOUBLE BLADE DISC SUPPORT		01
10	0501011989	5/8" X 1.9" BOLT		01
11	0501011988	5/8" X 1.9" BOLT		01
12	0503030757	2.9" X 2" X 0.02" JOINT		02
13	0502020599	COVER		02
14	0503010282	1/4" X 3/4" BOLT		06
15	0503010143	1/4" SPRING WASHER		06
16	0503010002	1800 GREASE FITTING		02
17	0501017541	RIGHT DOUBLE DISC SCRAPER		01
18	0501017542	LH DOUBLE DISC SCRAPER		01
19	0503010751	C3/8" X 1.1/4" HEX BOLT G.5		01
20	0501010984	FLAT WASHER		01
21	0503010025	3/8" SPRING WASHER		01
22	0503010026	3/8" NUT		01



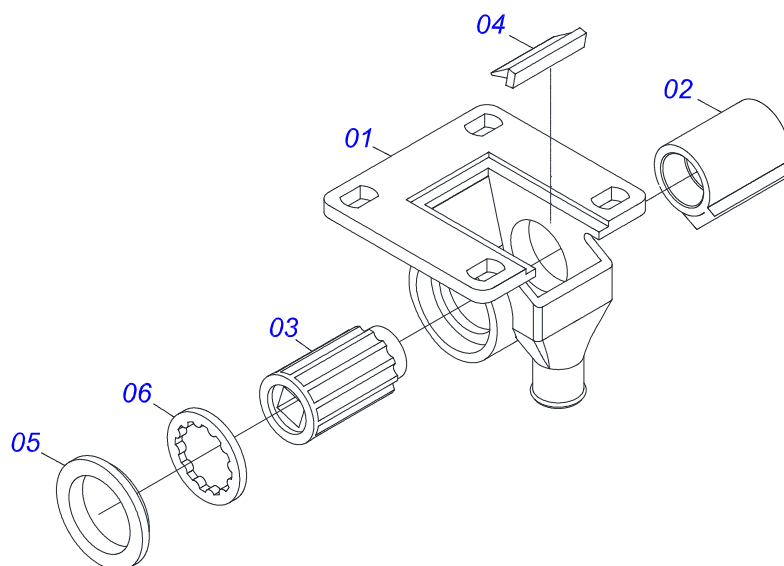
Item	Code	Description	See page	QT
01	0501068866	FINE SEED BOX		01
02	0511019377	FINE SEED BOX AXLE		01
03	0503060150	FINE SEED DISTRIBUTOR	22	15
04	0503050042	FINE SEED DISTR BOX INTER		15
05	0503013815	1/4" X 5/8" BOLT		60
06	0503010143	1/4" SPRING WASHER		62
07	0503010144	1/4" NUT		62
08	0503010140	1/8" X 3/4" COTTERPIN		30
09	0502010901	FINE SEED BOX AGRICULTURAL BEARING		01
10	0503010237	3/8" X 1" BOLT		02
11	0503010025	3/8" SPRING WASHER		02
12	0503010026	3/8" NUT		02
13	0503010002	1800 GREASE FITTING		01
14	0501066928	RIGHT GEAR WITH TEETH REEL		01
15	0511013557	30Z P 0.5" RH1.2.9" GEAR		01
16	0503010675	5/16" X 2.1/4" BOLT		03
17	0521010743	0.3" X 0.6" X 0.8" SLEEVE		03
18	0503010406	501025 CLAMPING RING (FOR AXLE)		01
19	0511011981	ADJUSTMENT LOCKNUT		01
20	0511015161	RD FINE SEED REGULATOR		01
21	0502011081	3/8" Q AXLE PULLER SLEEVE		01
22	0503011335	502024 CLAMPING RING (FOR AXLE)		01
23	0511015226	SMALLER SCALE SUPPORT		01
24	0503010282	1/4" X 3/4" BOLT		02
25	0502020552	SMALLER DOSADOR		01
26	0503010838	0.1" X 0.8" SPRING PIN		02
27	0503010691	1/4" GREASE FITTING		01
28	0503011076	40-1 X 2.87 CHAIN LINK + MENDING		01
29	0503011751	REDUCTION		01
30	0501068843	FINE SEED CHAIN COVER		02
31	0503010386	CABLE		04



PSH3
FINE SEED BOX

Page 21
0909095959

Item	Code	Description	See page	QT
32	0501068867	FINE SEED BOX CAP		01
33	0503010240	5/16" X 3/4" BOLT		04
34	0521011039	FLAT WASHER		04
35	0503010179	5/16" ZN SPRING WASHER		06
36	0503010337	5/16" NUT		06
37	0503011907	PMC 594-S NYLON LUG		01
38	0503010365	NUT		02
39	0503030616	17" X 17" X 15.7"HOSE		15
40	0503011342	3/4" TO 1 CLAMP		30
41	0501068710	FINE SEED SOCKET		15
42	0521010223	BOX COVER BUSHING		02
43	0503030885	SEED DOSADOR SCALE		01
44	0503010001	3.2 X 5.5 RIVET		02
45	0503010256	3/8" X 3/4" BOLT		15



Item	Code	Description	See page	QT
01	0503030706	PASTURE SEED DISTRIBUTOR BOX		01
02	0503030705	ROTOR GUIDES		01
03	0503030701	ROTOR		01
04	0503030702	DISTRIBUTOR BOX SEAL		01
05	0503030704	MOBILE WASHER SUPPORT SLEEVE		01
06	0503030703	ROTOR WHASHER		01



MARCHESAN

Technical Publications | Elaboration and Revision

ALESSANDRA PATRICIA KAWAHARA CARRILI

www.marchesan.com.br

