

IMPLEMENTS FOR SUGAR CANE

SUL 2

Code: 0501093006
Series: S-0281
Revision: 00
Date Revision: JUNHO/2021

PARTS CATALOGUE



MARCHESAN



PRODUCTS

Code	Description	
0110010003	SUL 2	S-0281
0110010003C	SUL 2	S-0281

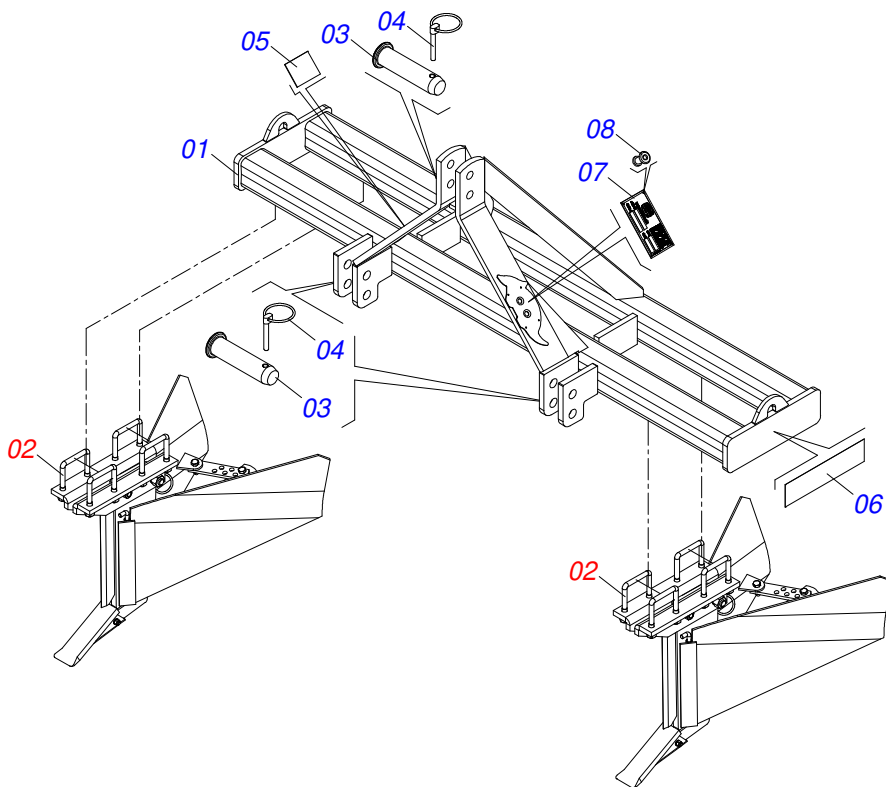
ATTENTION: IMPORTANT

Marchesan S.A. reserves the right to improve and / or modify the technical features of its products, without obligation to do the same with those products already sold and without prior knowledge of the dealer or the consumer.

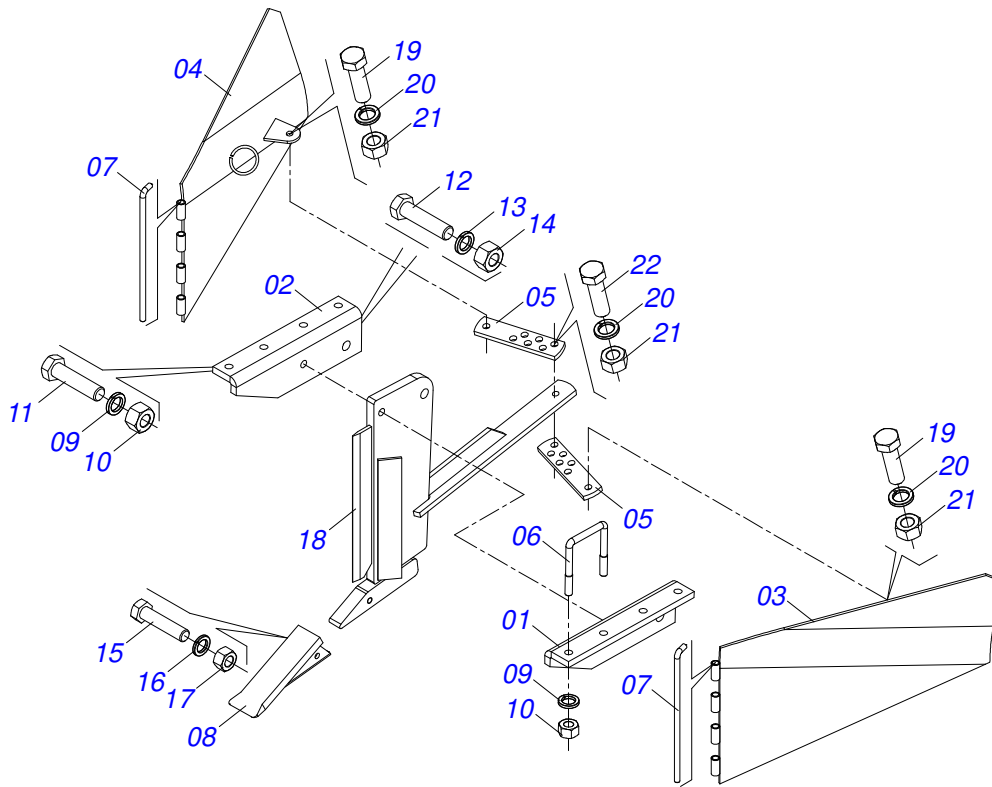


INDEX

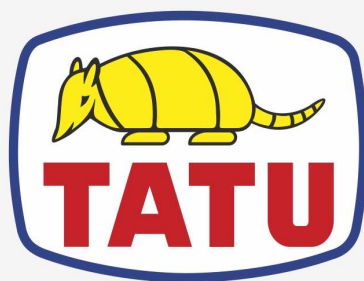
0521046311	ASSY FRAME	1
0501047817	ARM ASSY - SUL/SAL	2



Item	Code	Description	See page	QT
01	0521069488	FRAME - SU2/SUL2		01
02	0501047817	ARM ASSY - SUL/SAL	2	02
03	0521010582	COUPLING SHAFT		03
04	0503030085	LOCK PIN		03
05	0503031087	ADHESIVE LABEL		01
06	0503061037	SUL2 SILVER ADHESIVE STICKER ASSY		01
07	0503030310	ADHESIVE		01
08	0503010001	3.2 X 5.5 RIVET		04



Item	Code	Description	See page	QT
01	0581011075	LEFT SUPPORT		01
02	0581011074	RIGHT SUPPORT		01
03	0501061137	LEFT FRAME		01
04	0501061135	RIGHT FRAME		01
05	0551011198	ADJUSTMENT BAR		02
06	0521010659	3/4 UNC X 148 X 125 FASTENER		04
07	0501010733	ROD		02
08	0501061120	SUBSOILER TIP		01
09	0503010023	3/4" SPRING WASHER		09
10	0503010014	3/4" NUT		09
11	0501010195	3/4" X 3-1/2" BOLT		01
12	0503011432	BOLT		01
13	0503010012	1" SPRING WASHER		01
14	0501010059	1.5/8 NUT		01
15	0503010479	BOLT		01
16	0503010019	1/2" SPRING WASHER		01
17	0503010060	1/2" NUT		01
18	0501061133	TURNBUCLE BODY		01
19	0501010100	SCREW 5/8 UNC X 2 CS G.5 ZN		02
20	0503010027	5/8" SPRING WASHER		03
21	0503010013	5/8" NUT		03
22	0503010233	5/8" X 2-1/2" BOLT		01



MARCHESAN

Technical Publications | Elaboration and Revision

ALESSANDRA PATRICIA KAWAHARA CARRILI

www.marchesan.com.br

