

AUXILIARY PRODUCTS

PTL 2500

Code: 0501093005

Series: S-0516

Revision: 00

Date Revision: MAIO/2021

PARTS CATALOGUE



MARCHESAN



PRODUCTS

Code	Description
0106060059C	PTL 2500 EXP S-0516
0106060059	PTL 2500 S-0516

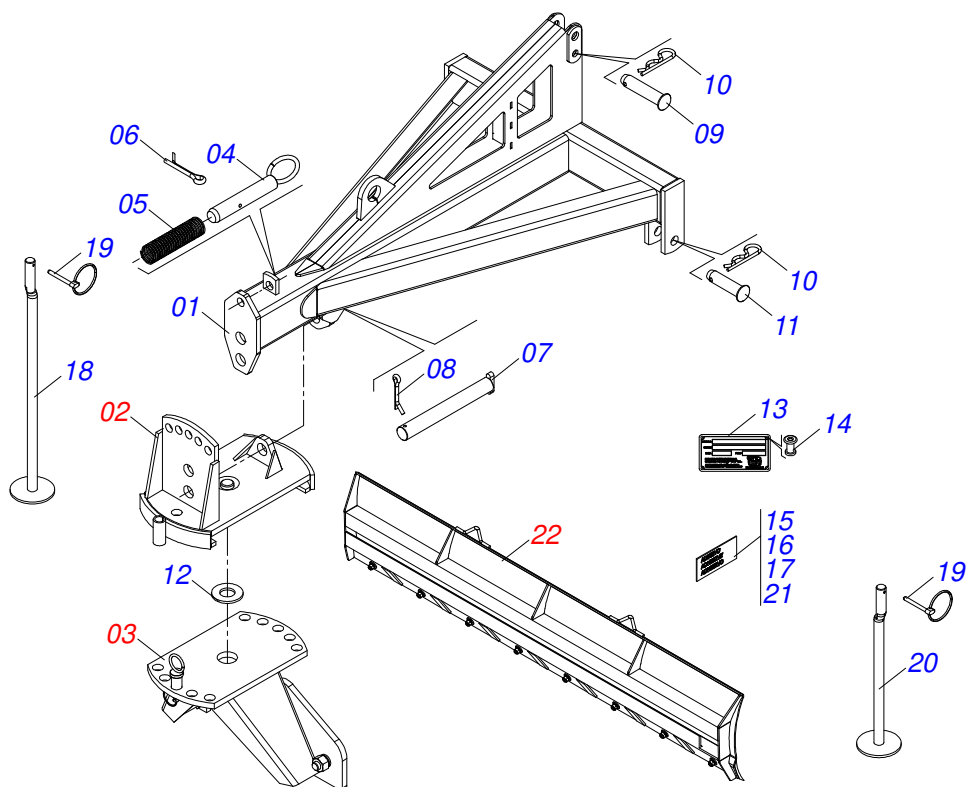
ATTENTION: IMPORTANT

Marchesan S.A. reserves the right to improve and / or modify the technical features of its products, without obligation to do the same with those products already sold and without prior knowledge of the dealer or the consumer.

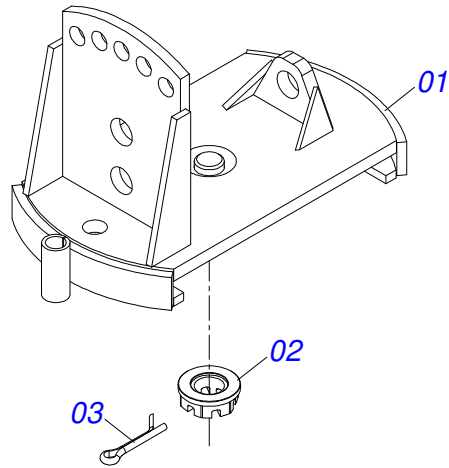


INDEX

0909095796	ASSY FRAME	1
0521050947	ASSY REGULATORY BASE	2
0521050951	COMPLETE SCRAPER DOOR SUPPORT ASSY	3
0521041529	BLADE SUPPORT	4

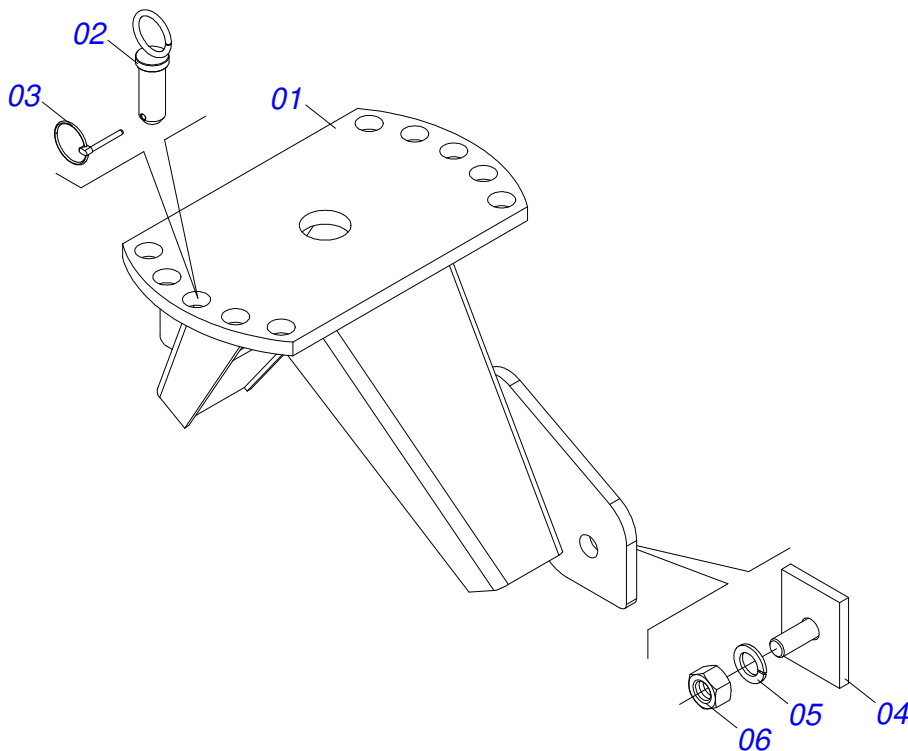


Item	Code	Description	See page	QT
00	0521046568	ASSY FRAME		01
01	0521063567	FRAME		01
02	0521050947	ASSY REGULATORY BASE	2	01
03	0521050951	COMPLETE SCRAPER DOOR SUPPORT ASSY	3	01
04	0501068990	COUPLING SHAFT		01
05	0503030517	1.27" X 4.72" X 0.9" SPRING		01
06	0503010018	5/32 X 1-1/2 COTTERPIN		01
07	0501062976	PIVOT SHAFT		01
08	0503010010	1/4" X 2.1/2" COTTERPIN		01
09	0521010579	COUPLING SHAFT		01
10	0503031035	HAIR PIN		03
11	0521010595	1.1" X 4.3" COUPLING SHAFT		02
12	0501010287	FLAT WASHER		01
13	0503034003	SERIAL NUMBER TAG 61 X 118		01
14	0503010001	3.2 X 5.5 RIVET		04
15	0503060911	PTL ADHESIVE LABEL ASSY		01
16	0503031087	ADHESIVE LABEL		01
17	0503034078	LIFTING POINTS DECAL		03
18	0501062412	PLOUGH SUPPORT 725		01
19	0503030085	LOCK PIN		02
20	0511066743	PLOUGH SUPPORT		01
21	0503031852	ADHESIVE LABEL		01
22	0521041529	BLADE SUPPORT	4	01

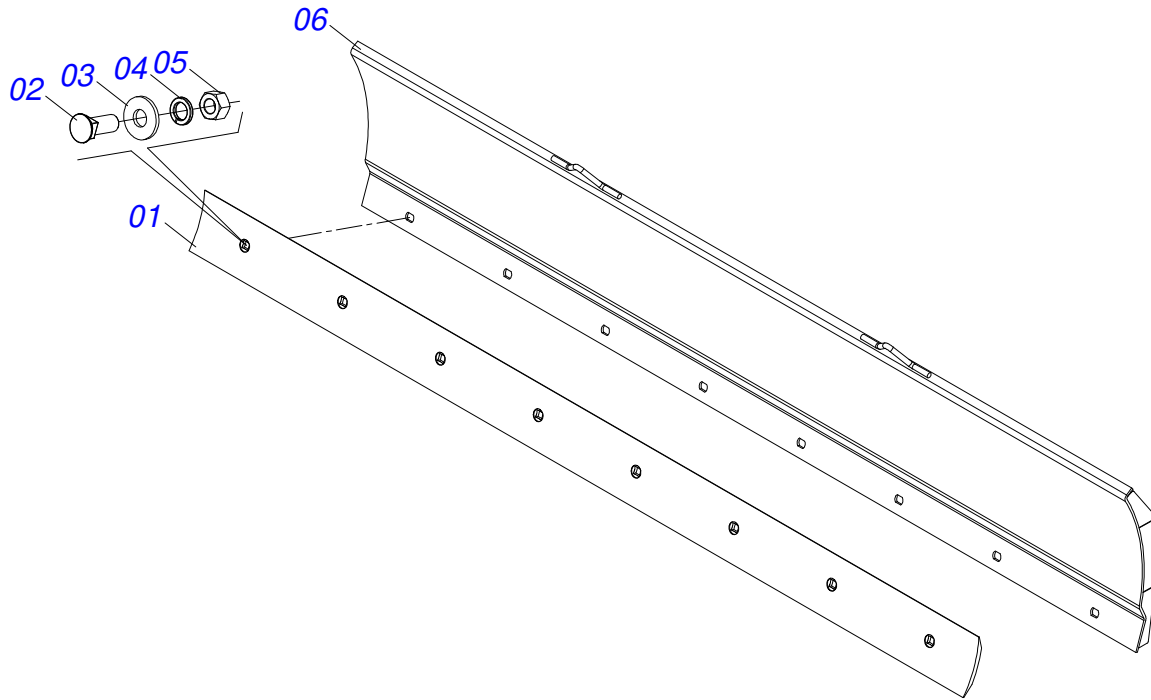


Item	Code	Description	See page	QT
01	0511066744	REGULATOR BASE		01
02	0501011301	1.1/2 UNC 6FPP 2.5/16 NUT		01
03	0503010010	1/4" X 2.1/2" COTTERPIN		01

COMPLETE SCRAPER DOOR SUPPORT ASSY



Item	Code	Description	See page	QT
01	0521063566	DOOR BLADE SUPPORT		01
02	0501069239	COUPLING SHAFT		01
03	0503030119	LOCK PIN		01
04	0501061017	ADJUSTMENT LOCKNUT		02
05	0503010012	1" SPRING WASHER		02
06	0501010059	1.5/8 NUT		02



Item	Code	Description	See page	QT
01	0622360022	SCRAPER REVERSIBLE 2500		01
02	0501012239	5/8" X 1.3/4" BOLT		08
03	0501012140	FLAT WASHER		08
04	0503010027	5/8" SPRING WASHER		08
05	0503010013	5/8" NUT		08
06	0521063565	2500 BLADE SUPPORT		01

ANNOTATION



Lined area for writing annotations, featuring horizontal lines.



MARCHESAN

Technical Publications | Elaboration and Revision

ALESSANDRA PATRICIA KAWAHARA CARRILI

www.marchesan.com.br

