

AUXILIARY PRODUCTS

PAH 1200 / 65A-95CV / SHT

Code: 0501093003
Series: S-0610
Revision: 00
Date Revision: AGOSTO/2021

PARTS CATALOGUE



MARCHESAN



PRODUCTS

Code	Description
0107020236	PAH 1200 65A95 CV SHT C/A SD 1/2
0107020258	PAH 1200 65A95 CV SHT S/A S-0610

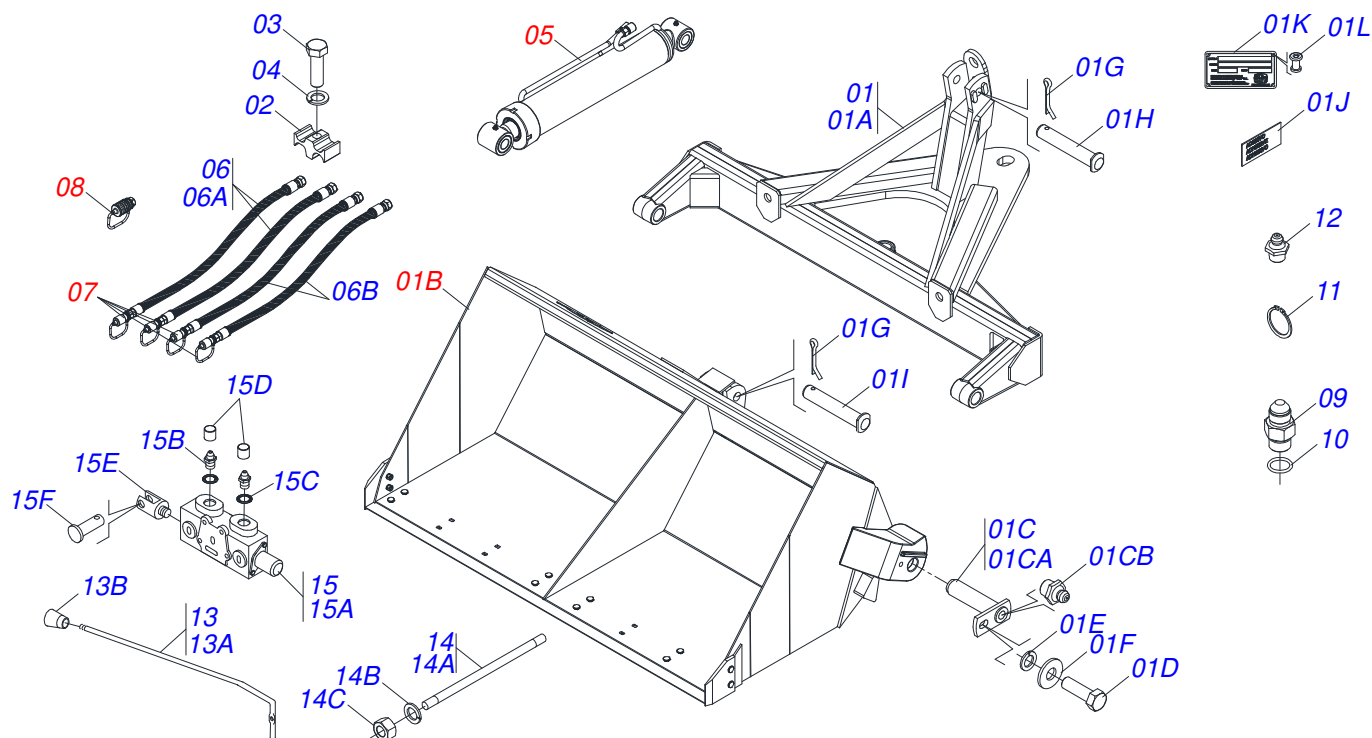
ATTENTION: IMPORTANT

Marchesan S.A. reserves the right to improve and/or modify the technical features of its products, without obligation to do the same with those products already sold and without prior knowledge of the dealer or the consumer. The photos are only illustrative.



INDEX

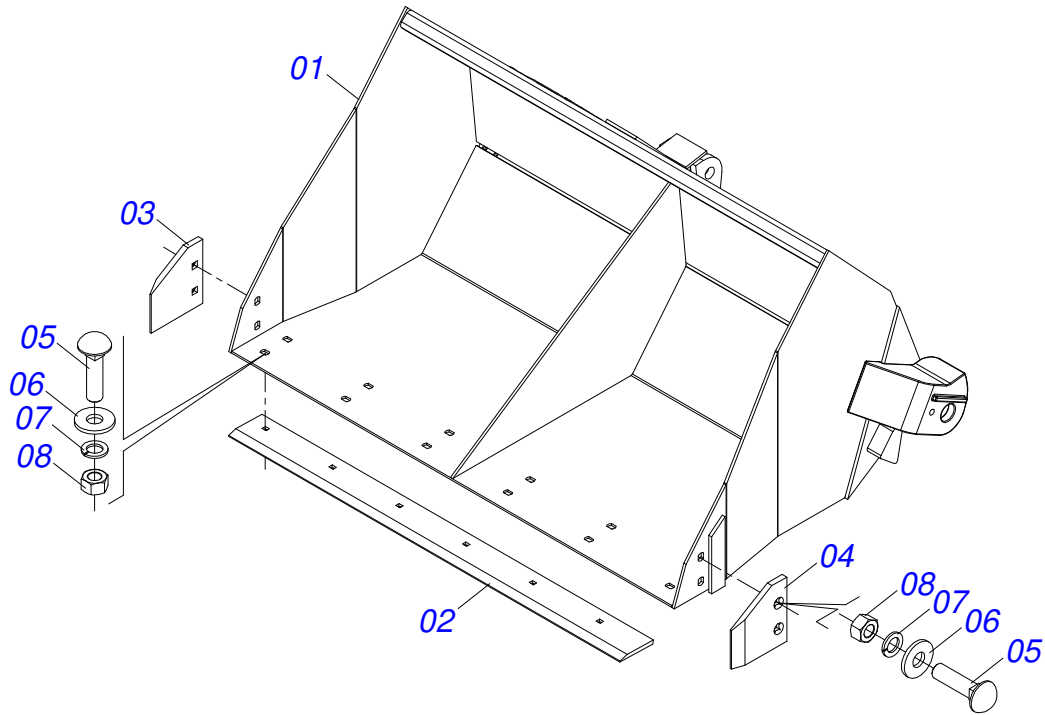
0909095794	PAH 1200	1
0501050247	1200 BUCKET	2
0501042304	HIDRAULIC CYLINDER 38,1 X 63,5 X 640X400	3
0501053834	MALE QUICK COUPLER	4
0501053835	FEMALE QUICK COUPLER	5



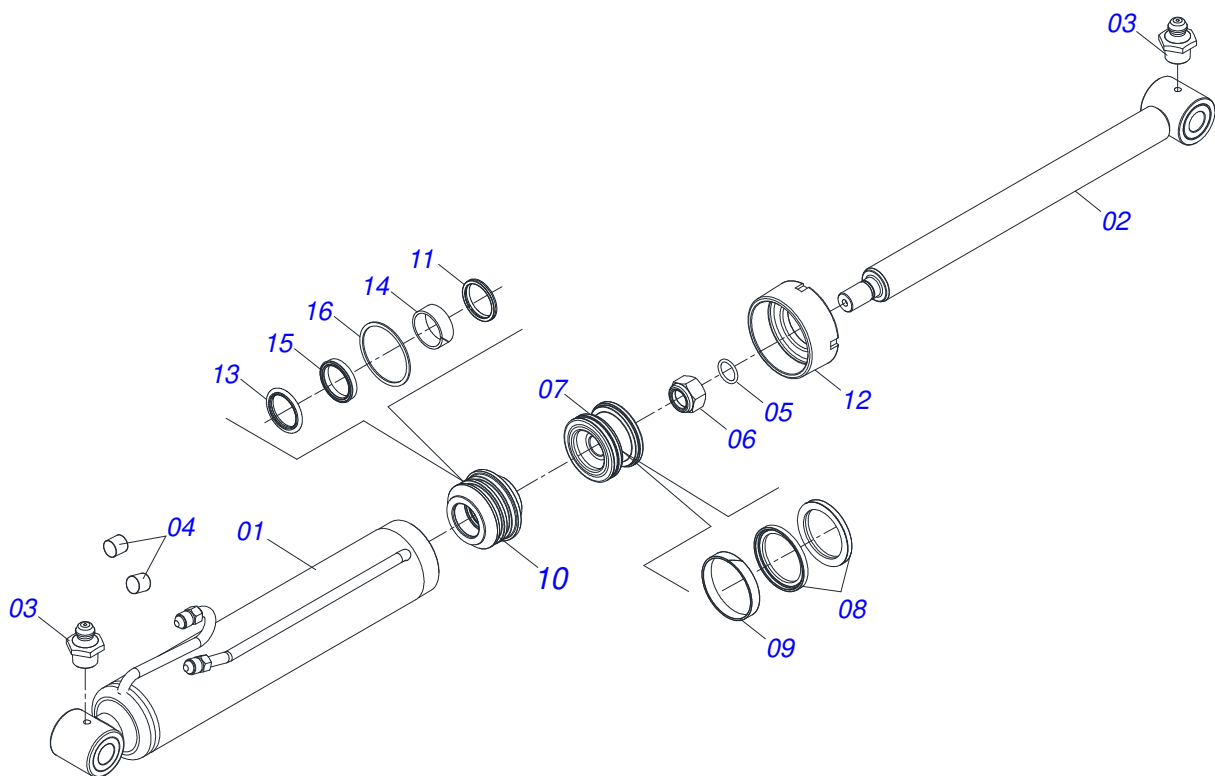
Item	Code	Description	See page	QT
01	0501042293	1200 BUCKET SUPPORT		01
01A	0501063381	1200 BUCKET SUPPORT		01
01B	0501050247	1200 BUCKET	2	01
01C	0501042363	PIVOT SHAFT		02
01CA	0501063956	PIVOT SHAFT		01
01CB	0503010002	1800 GREASE FITTING		01
01D	0503010962	5/8" X 1-1/4" BOLT		02
01E	0503011445	SPRING WASHER		02
01F	0501012140	FLAT WASHER		02
01G	0503010523	1/4" X 2" COTTERPIN		02
01H	0521010785	COUPLING SHAFT		01
01I	0511016155	PIN		01
01J	0503033428	ADHESIVE LABEL		01
01K	0503034003	SERIAL NUMBER TAG 61 X 118		01
01L	0503010001	3.2 X 5.5 RIVET		04
02	0502012702	BODY SUPPORT CLAMP		03
03	0503012555	SCREW 7/16 UNC X 2 CS RT G.7 ZN		03
04	0503010180	7/16" SPRING WASHER		03
05	0501042304	HIDRAULIC CYLINDER 38,1 X 63,5 X 640X400	3	01
06	0511057160	HOSE KIT		01
06A	0501080242	3/8" X 47" TR-TM HOSE		02
06B	0501080466	HOSE 3/8 X 2600 TR-TM		02
07	0501053834	MALE QUICK COUPLER	4	04
08	0501053835	FEMALE QUICK COUPLER	5	02
09	0511010111	7/8" NIPPLE		02
10	0503010190	2-114 N 3006-9B O'RING		02
11	0503010217	501040 CLAMPING RING (FOR AXLE)		04
12	0503010002	1800 GREASE FITTING		02
13	0501047852	COMPLETE CONTROLLER		01
13A	0501069069	CONTROL VALVE (V 985-4/AX 4.75)		01
13B	0503030878	LEVER CRANK		01



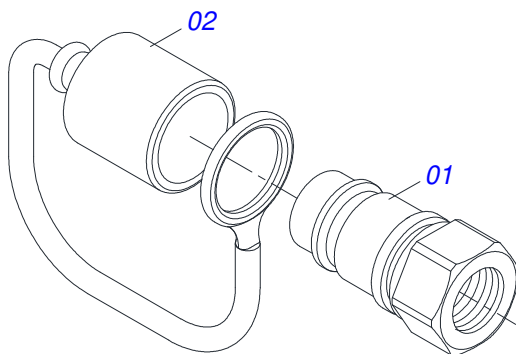
Item	Code	Description	See page	QT
14	0501041319	STUD		01
14A	0501013033	PRISONER 3/8"		01
14B	0503010025	3/8" SPRING WASHER		02
14C	0503010026	3/8" NUT		02
15	0511045103	CENTER BODY ASSY		01
15A	0503010465	BODY CENTRAL 1/2"		01
15B	0501010590	NIPPLE		02
15C	0503010045	O'RING		02
15D	0503030387	PLUG		02
15E	0503030347	UPPER LEVER ASSY (SAUER DANFOSS)		01
15F	0521010533	0.3" X 1" COUPLING SHAFT		01



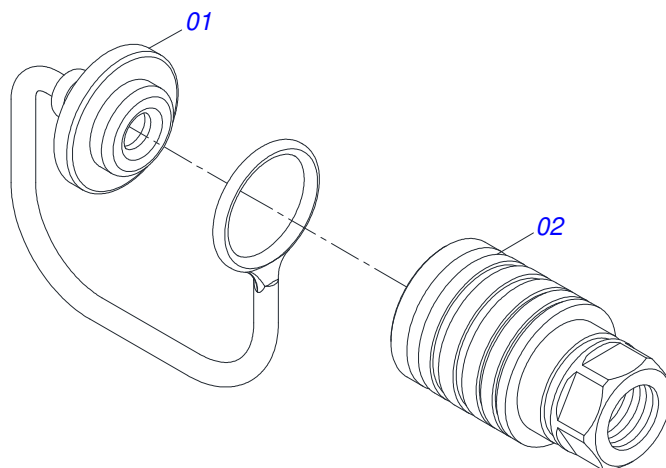
Item	Code	Description	See page	QT
01	0501063395	1200 BUCKET		01
02	0622360005	SCRAPER BUCKET 1200		01
03	0622360009	SCRAPER FRAME RIGHT		01
04	0622360010	SCRAPER FRAME LEFT		01
05	0503012956	1/2" X 1-1/2" BOLT		10
06	0511017302	FLAT WASHER		10
07	0503011440	SPRING WASHER		10
08	0503012682	1/2" BSW NUT		10



Item	Code	Description	See page	QT
01	0501063671	CASE		01
02	0501068958	HYDRAULIC CYLINDER TURNBUCKLE		01
03	0503010002	1800 GREASE FITTING		01
04	0503030385	CYLINDER PLUG N-002		02
05	0503010285	2-222 N 3006-9B O'RING		01
06	0503010063	1" SELF-ALIGNING NUT		01
07	0502010783	1.5" X 2.5" PISTON		01
08	0503010160	2500 2000 GASKET		02
09	0503010973	W2-2500-500 PK O'RING G.E		01
10	0502010780	RING SUPPORT		01
11	0503010163	D-1500 SCRAPER RING		01
12	0502010471	MOBILE COVER		01
13	0503010970	W1-1650-500 PK O'RING G.E		01
14	0503010989	1870-1500-375-B GASKET		01
15	0503010161	2-330 N 3006 9B O'RING		01
16	0503011058	8-330 BACK-UP RING		01
17	0501032666	HYDRAULIC CYLINDER REPAIR KIT		01



Item	Code	Description	See page	QT
01	0503011627	MALE QUICK COUPLER AGR 1/2 NPT		01
02	0503011882	MALE QUICK COUPLER CAP		01



Item	Code	Description	See page	QT
01	0503011883	QUICK CONNECTION COVER		01
02	0503011628	FEMALE QUICK COUPLER		01



MARCHESAN

Technical Publications | Elaboration and Revision

ALESSANDRA PATRICIA KAWAHARA CARRILI

www.marchesan.com.br

