

**PCA - AGRICULTURAL FRONT LOADER**

**PCA 2000 NH T6.110 CASE 110 BT SC**

**Code:** 0501093000  
**Series:** S-0115  
**Revision:** 00  
**Date Revision:** AGOSTO/2021

# **PARTS CATALOGUE**



**MARCHESAN**



# PRODUCTS

Code	Description
0106111553	PCA 2000 NH T6.110 CASE 110 BT SC

## ATTENTION: IMPORTANT

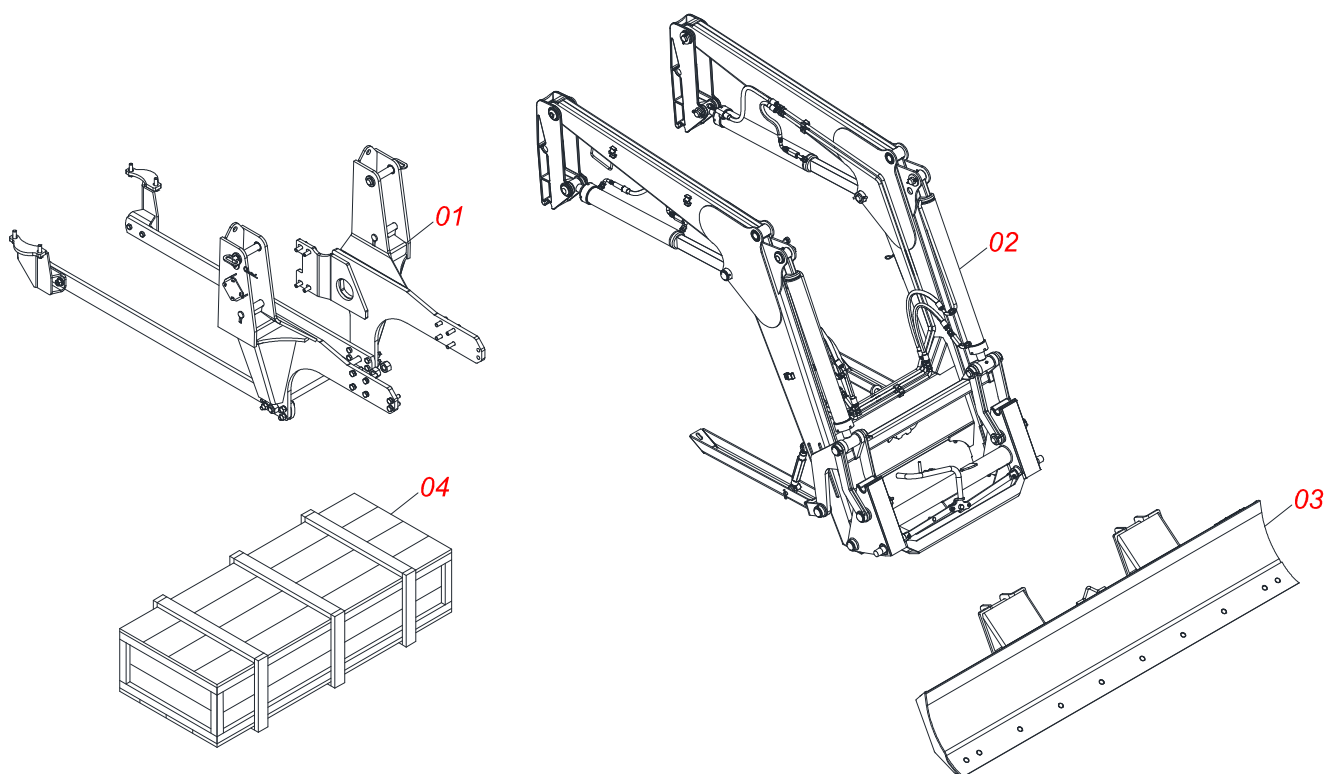
Marchesan S.A. reserves the right to improve and / or modify the technical features of its products, without obligation to do the same with those products already sold and without prior knowledge of the dealer or the consumer.



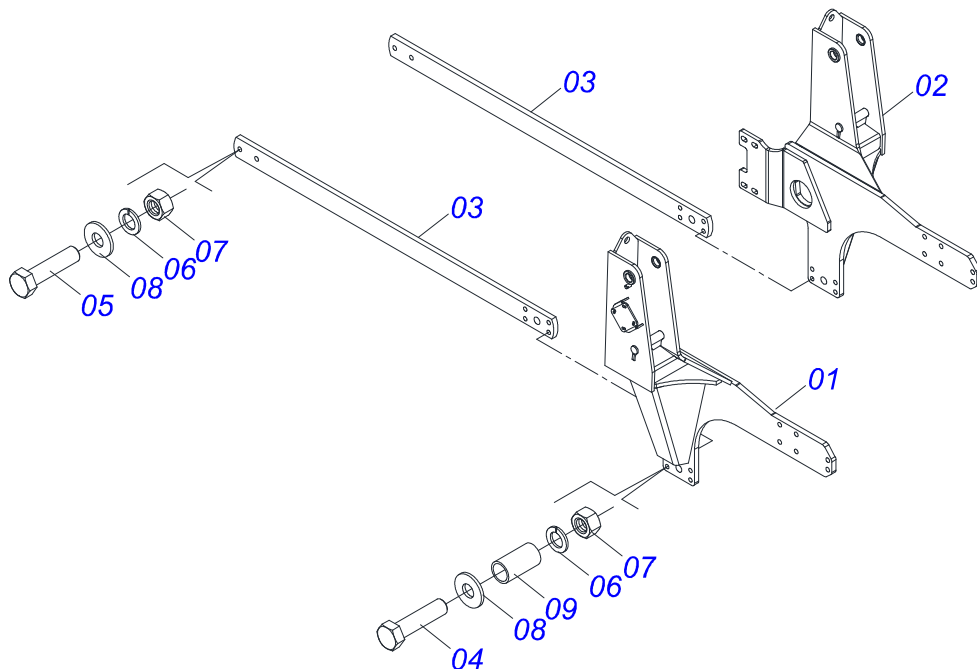
**MARCHESAN**

# INDEX

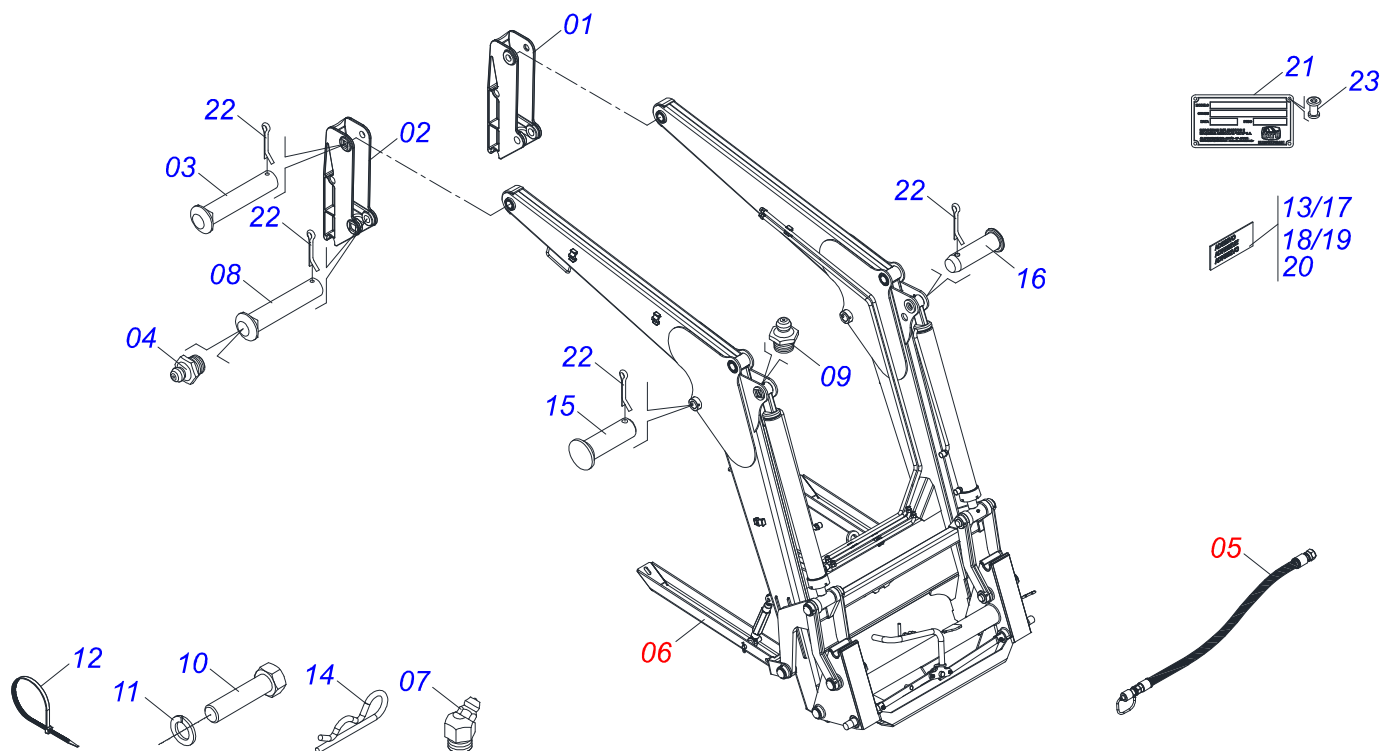
0106111553	PCA 2000 NH T6.110 CASE 110 BT SC	.....	1
0521045404	CHASSI WITH REAR BAR ASSEMBLY	.....	2
0521044453	MOBILE SUPPORT ASSY	.....	3
0909092510	HYDRAULIC CIRCUIT	.....	4
0511057969	HYDRAULIC CILINDER	.....	5
0511057972	HYDRAULIC CILINDER	.....	6
0511059169	HYDRAULIC CILINDER	.....	7
0511057810	SAFETY VALVE ASSEMBLY	.....	8
0501053834	MALE QUICK COUPLER WITH CAP - 1/2 NPT	.....	9
0909092520	REST ASSY	.....	10
0511043359	ARTICULATION ASSY	.....	11
0511049856	2600MM DOZER BLADE ASSY PCA-T 1750	.....	12
0511048239	LDA 2600 WITHOUT SHOE	.....	13
0521021424	BOX WITH COMPONENTS	.....	14
0501041652	FULL 1.1/4" X 31.88" ROD ASSY	.....	15
0511031686	PACKAGED PARTS	.....	16



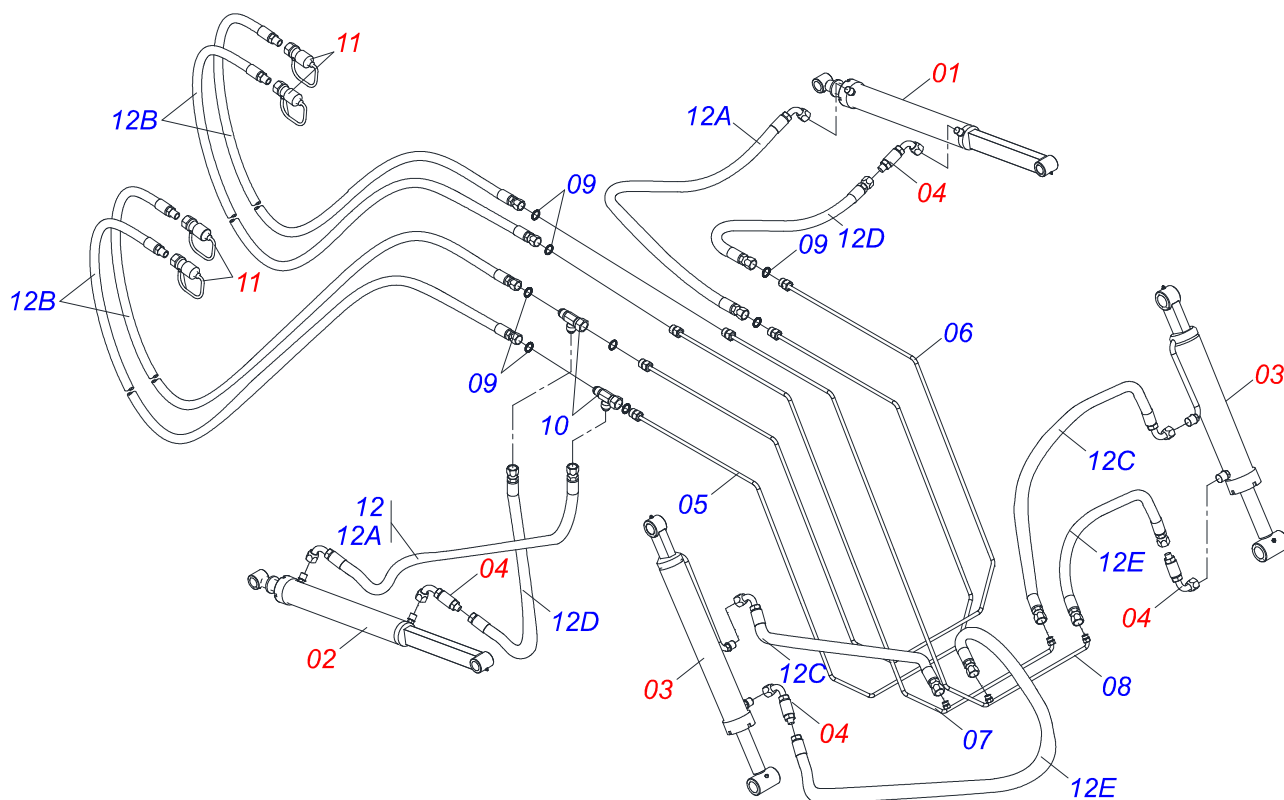
Item	Code	Description	See page	QT
01	0521045404	CHASSI WITH REAR BAR ASSEMBLY	2	01
02	0521044453	MOBILE SUPPORT ASSY	3	01
03	0511049856	2600MM DOZER BLADE ASSY PCA-T 1750	12	01
04	0521021424	BOX WITH COMPONENTS	14	01



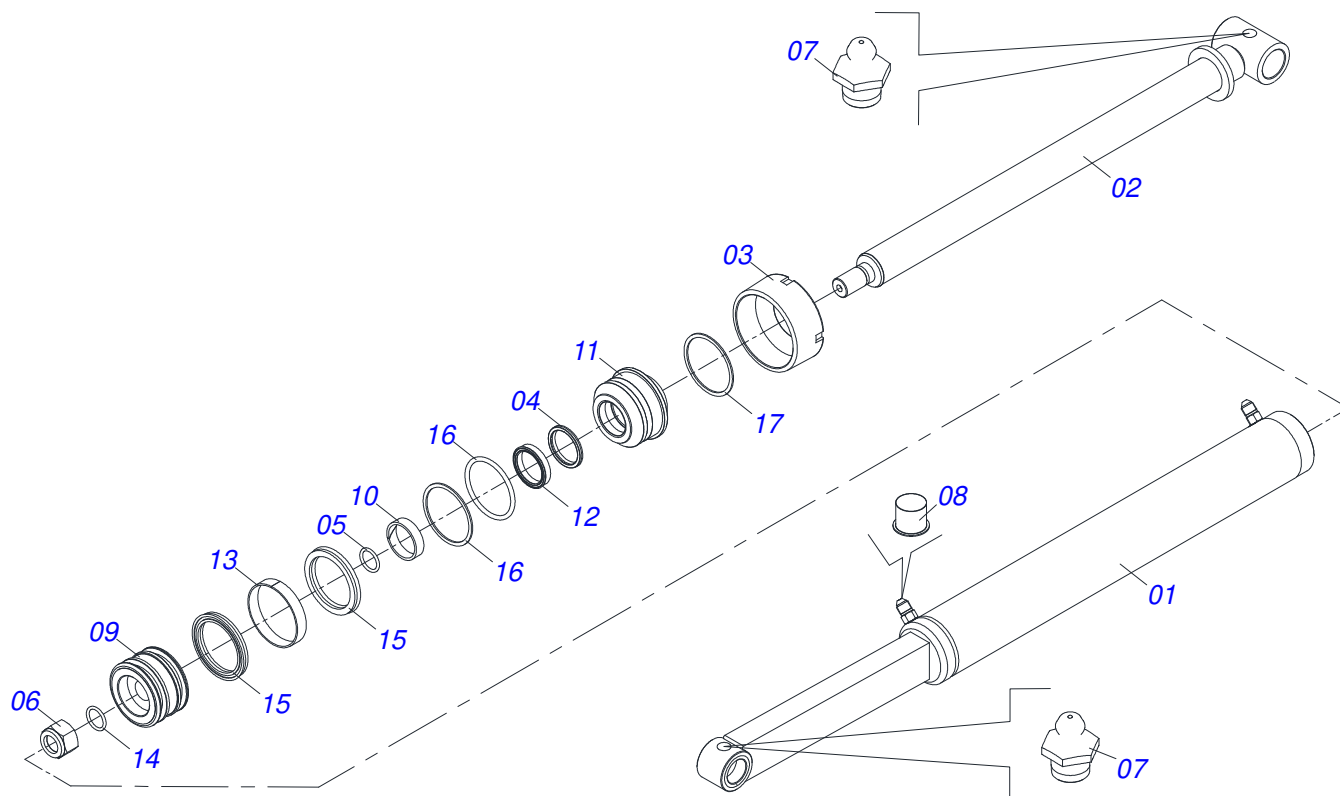
Item	Code	Description	See page	QT
01	0521065781	RIGHT FRAME		01
02	0521065782	LEFT FRAME		01
03	0581010145	REAR BAR RIGHT FRAME		02
04	0503011084	3/4" X 5" BOLT		04
05	0501010500	3/4"X3"BOLT		02
06	0503010023	3/4" SPRING WASHER		04
07	0503010014	3/4" NUT		06
08	0501010322	FLAT WASHER		06
09	0581015170	SLEEVE		04



Item	Code	Description	See page	QT
01	0502012472	MOBILE TOWER		01
02	0502012473	LEFT MOBILE TOWER		01
03	0521012869	COUPLING SHAFT		02
04	0503010002	1800 GREASE FITTING		06
05	0909092510	HYDRAULIC CIRCUIT	4	01
06	0909092520	REST ASSY	10	01
07	0503010003	1845 GREASE FITTING		02
08	0521012870	1.46" X 6.18" PIVOT SHAFT		02
09	0503010002	1800 GREASE FITTING		06
10	0503010237	3/8" X 1" BOLT		10
11	0503010025	3/8" SPRING WASHER		10
12	0503013527	CLAMP ZIPER		04
13	0503034078	LIFTING POINTS DECAL		03
14	0503030168	HAIR PIN		02
15	0521010904	1.5" X 1.4" PIVOT SHAFT		02
16	0561015035	COUPLING SHAFT		02
17	0503062365	ASSY LABEL ADHESIVE		01
18	0503031087	ADHESIVE LABEL		01
19	0503031428	READ MANUAL DECAL		01
20	0503031827	LUBRICATE AND RETIGHTEN DAILY DECAL		01
21	0503034003	SERIAL NUMBER TAG 61 X 118		01
22	0503010073	3/8 X 3-1/2 COTTERPIN		08
23	0503010001	3.2 X 5.5 RIVET		04

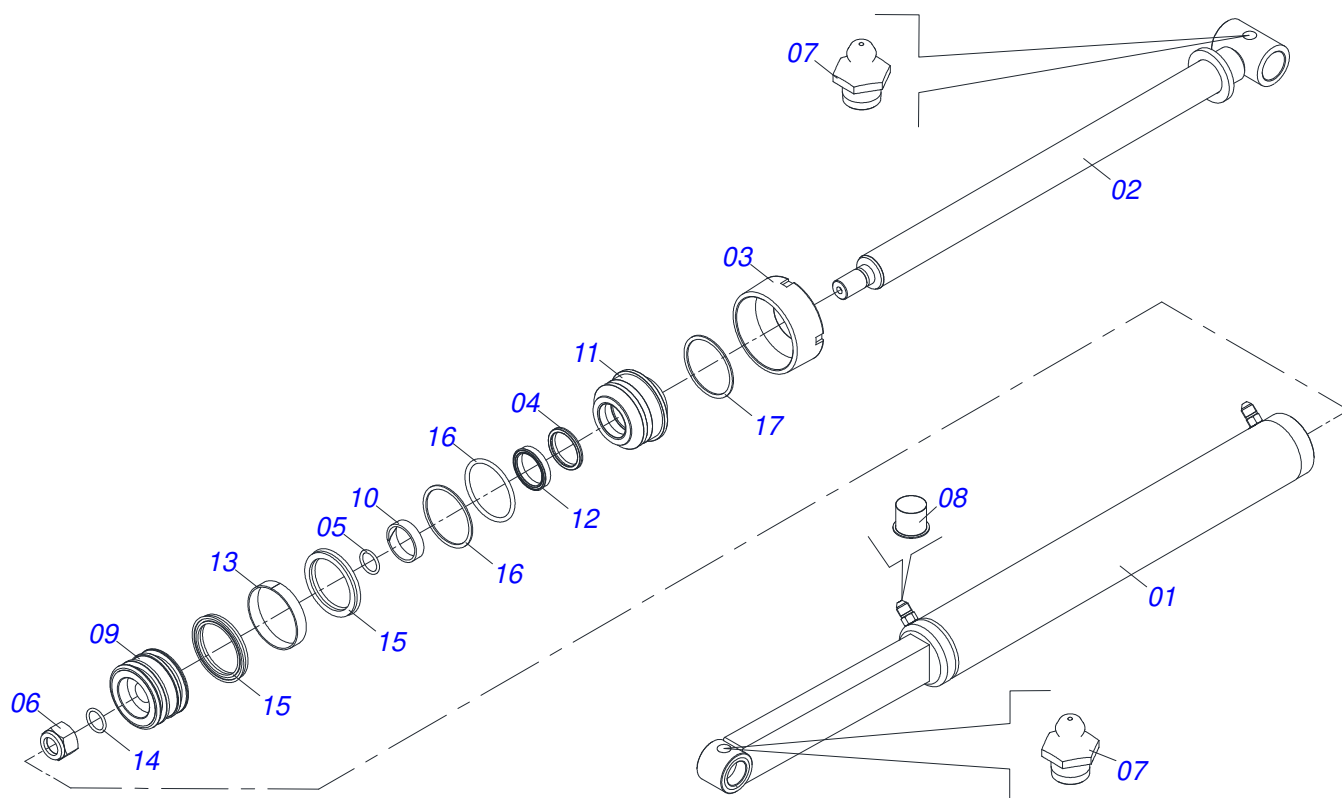


Item	Code	Description	See page	QT
01	0511057969	HYDRAULIC CILINDER	5	01
02	0511057972	HYDRAULIC CILINDER	6	01
03	0511059169	HYDRAULIC CILINDER	7	02
04	0511057810	SAFETY VALVE ASSEMBLY	8	06
05	0511066208	MOBILE SUPPORT CYL SMALLE TUBE		01
06	0511066209	MOBILE SUPPORT CYL LARGER TUBE		01
07	0511066210	PIVOT CYL LARGER TUBE		01
08	0511066211	PIVOT CYL SMALLE TUBE		01
09	0503011030	2-014 N 3006-9B O'RING		22
10	0503030964	T CONNECTOR		02
11	0501053834	MALE QUICK COUPLER WITH CAP - 1/2 NPT	9	04
12	0511057097	HOSE KIT MOBILE SUPPORT FULL		01
12A	0501080970	1/2" X 23.6" TR-TC OFS HOSE		02
12B	0501081931	HOSE 1/2 X		04
12C	0501080969	1/2" X 750 TR-TC OFS HOSE		02
12D	0501081584	HOSE 1/2 X		02
12E	0501081084	HOSE		02

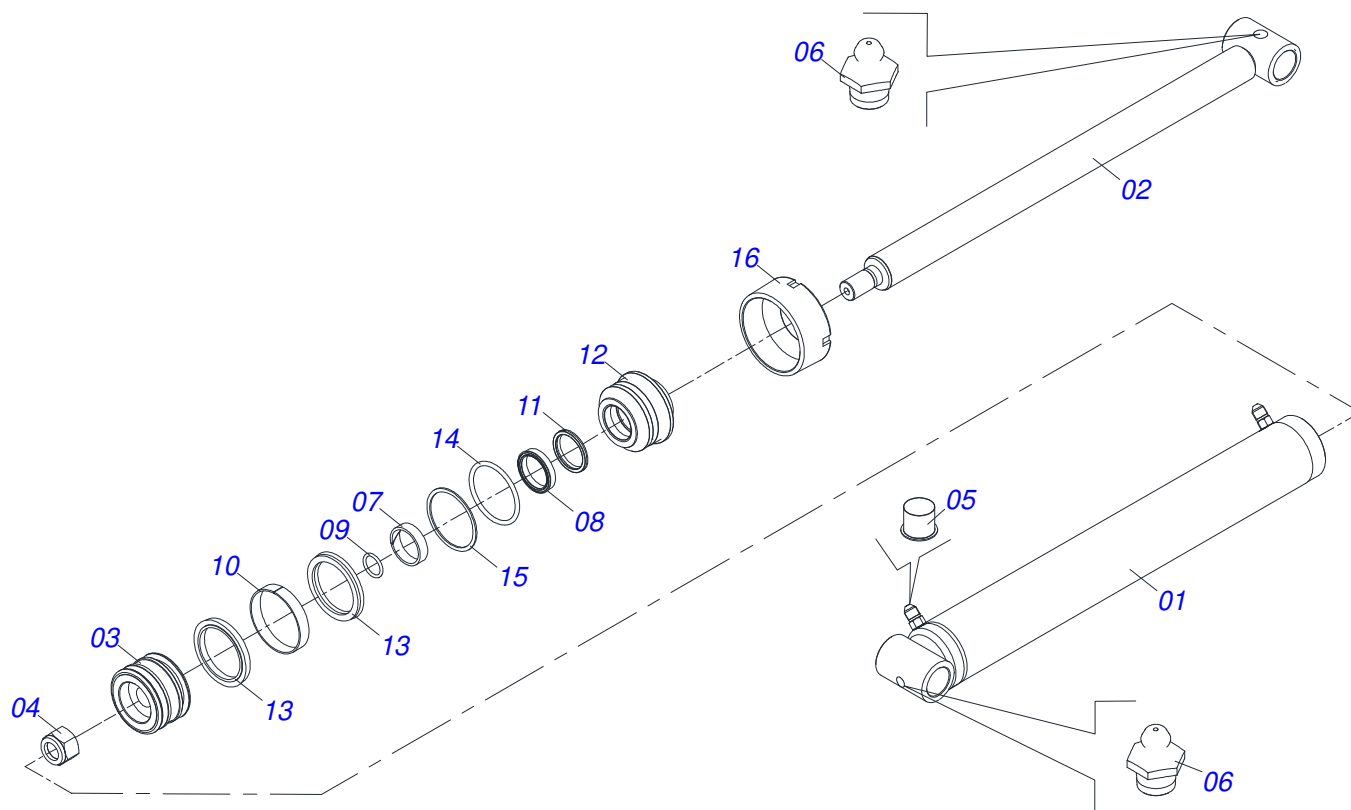


Item	Code	Description	See page	QT
01	0521064994	RH CYLINDER CASE		01
02	0521066414	44,45 X TURNBUCKLE		01
03	0571019709	DETACHABLE COVER		01
04	0503010761	D-1750 SCRAPER RING		01
05	0503010042	2-214 N 3006-9B O'RING		01
06	0503010063	1" SELF-ALIGNING NUT		01
07	0503010002	1800 GREASE FITTING		02
08	0503030387	PLUG		02
09	0571019710	1.7" X 3.4" PISTON		01
10	0503017935	RING		01
11	0571019711	RING SUPPORT		01
12	0503017937	GASKET		01
13	0503017936	RING		01
14	0503017938	RING GUIDE		01
15	0503017940	8-337 BACK-UP RING		02
16	0503017939	2-337 N 3006-9B O' RING		02
17	0503018144	RING		01

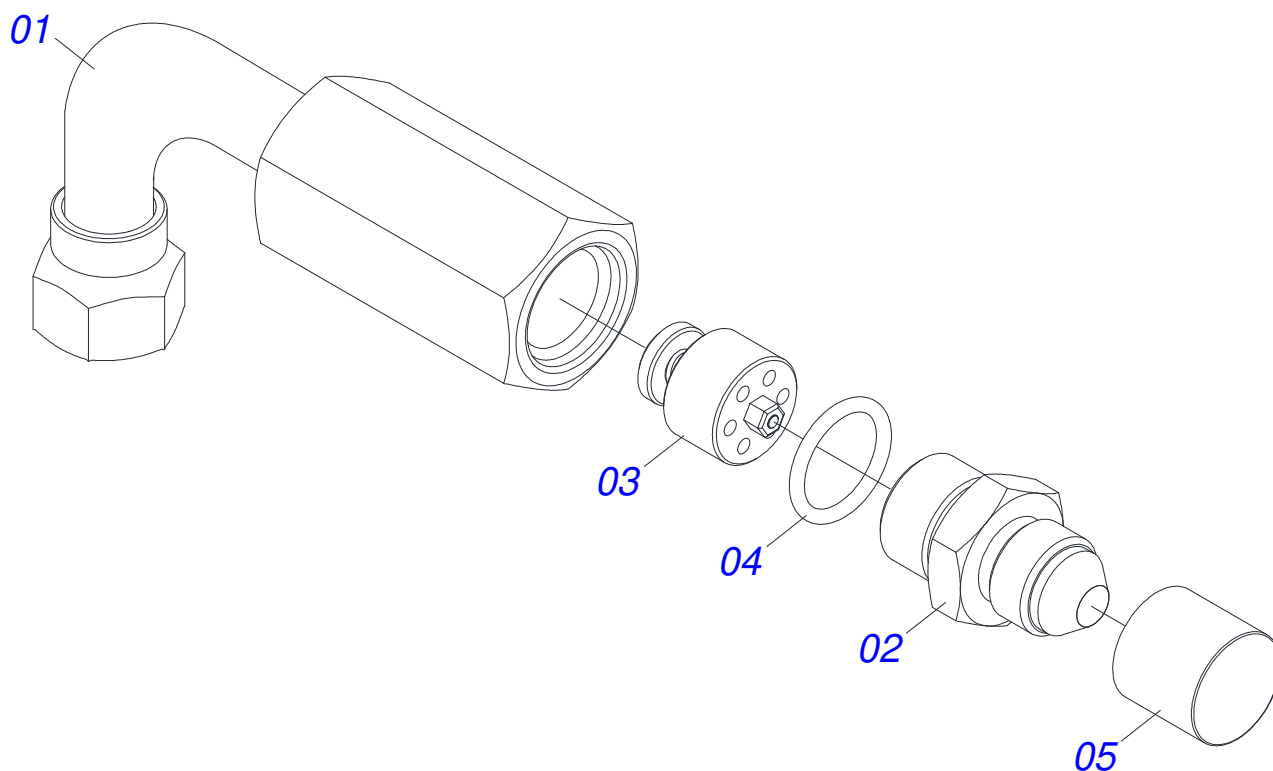




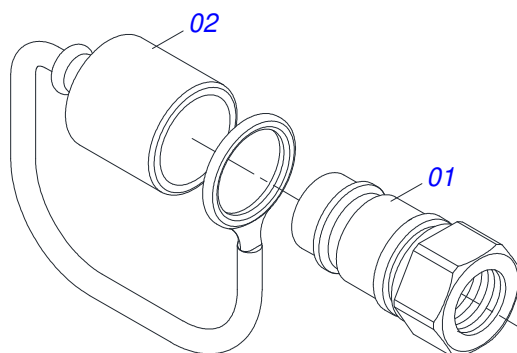
Item	Code	Description	See page	QT
01	0521064995	LH CYLINDER CASE		01
02	0521066414	44,45 X TURNBUCKLE		01
03	0571019709	DETACHABLE COVER		01
04	0503010761	D-1750 SCRAPER RING		01
05	0503010042	2-214 N 3006-9B O'RING		01
06	0503010063	1" SELF-ALIGNING NUT		01
07	0503010002	1800 GREASE FITTING		02
08	0503030387	PLUG		02
09	0571019710	1.7" X 3.4" PISTON		01
10	0503017935	RING		01
11	0571019711	RING SUPPORT		01
12	0503017937	GASKET		01
13	0503017936	RING		01
14	0503017938	RING GUIDE		01
15	0503017940	8-337 BACK-UP RING		02
16	0503017939	2-337 N 3006-9B O' RING		02
17	0503018144	RING		01



Item	Code	Description	See page	QT
01	0521066382	CYLINDER CASE OUTLET		01
02	0521066402	44,45 X TURNBUCKLE		01
03	0502012264	RING SUPPORT 1.75" X 3"		01
04	0503010063	1" SELF-ALIGNING NUT		01
05	0503030387	PLUG		02
06	0503010002	1800 GREASE FITTING		02
07	0503010949	W2-2000-500 PK RING G.E		01
08	0503011059	8-334 BACK-UP RING		01
09	0503010343	2-334 N 3006-9B O'RING		01
10	0503010761	D-1750 SCRAPER RING		01
11	0503010042	2-214 N 3006-9B O'RING		01
12	0581010304	PISTON		01
13	0503018138	RING BS		02
14	0503018140	RING GUIDE		01
15	0503017937	GASKET		01
16	0502011899	MOBILE COVER		01

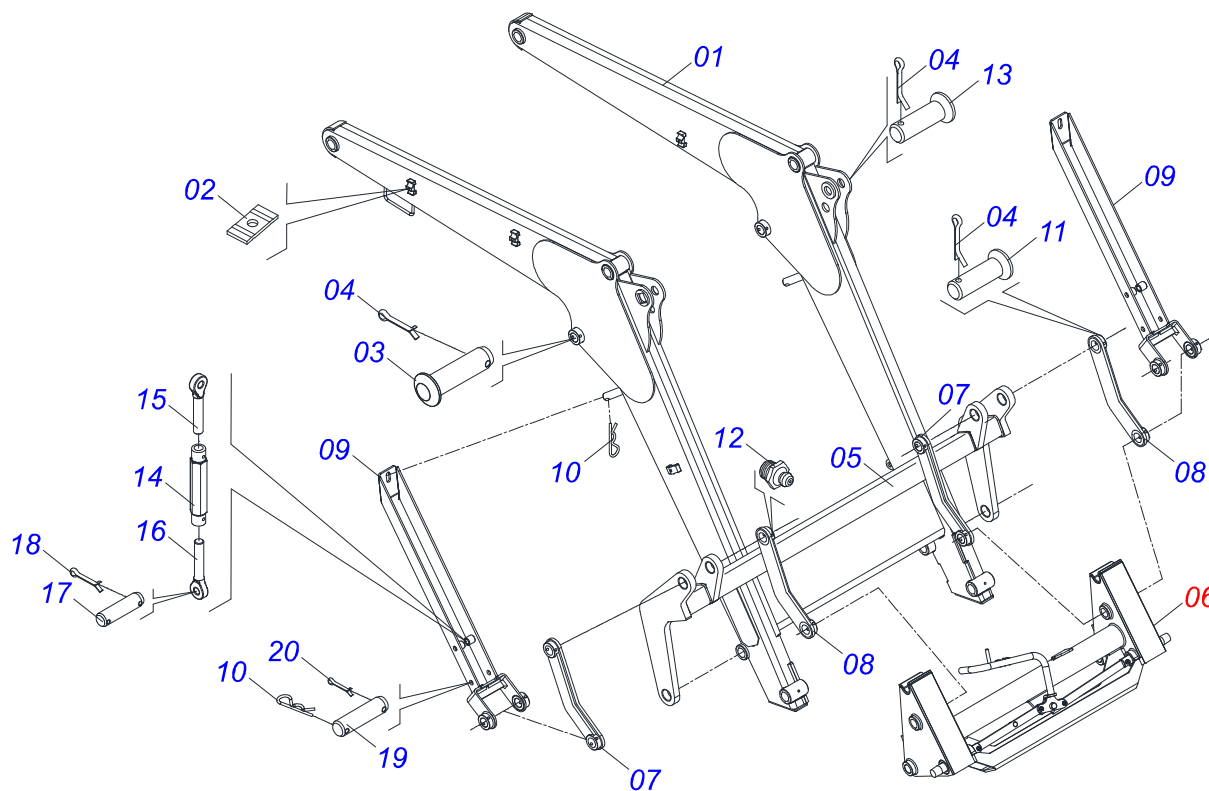


Item	Code	Description	See page	QT
01	0521067686	ADAPTER VALVE		01
02	0581014051	1/2" NIPPLE		01
03	0503016854	VALVE ASSY		01
04	0503010045	O'RING		01
05	0503030385	CYLINDER PLUG N-002		01



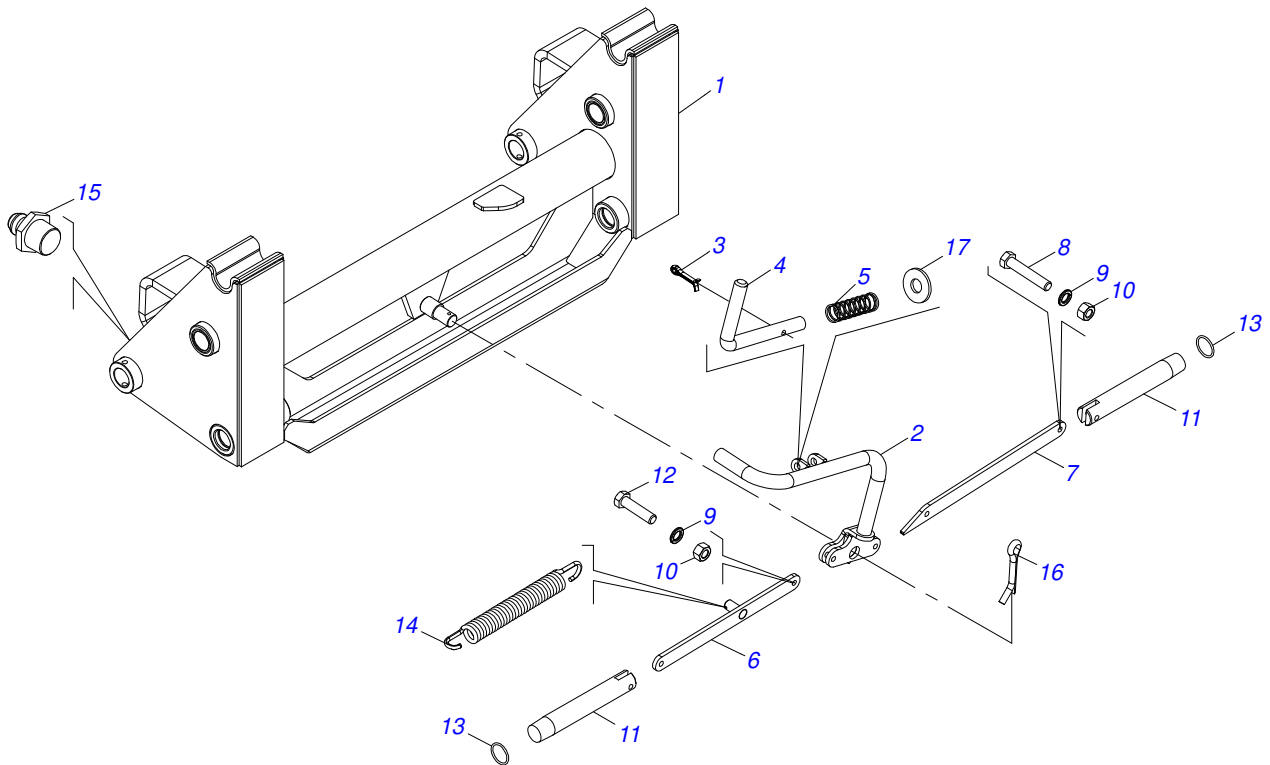
Item	Code	Description	See page	QT
01	0503011627	MALE QUICK COUPLER AGR 1/2 NPT		01
02	0503011882	MALE QUICK COUPLER CAP		01

REST ASSY

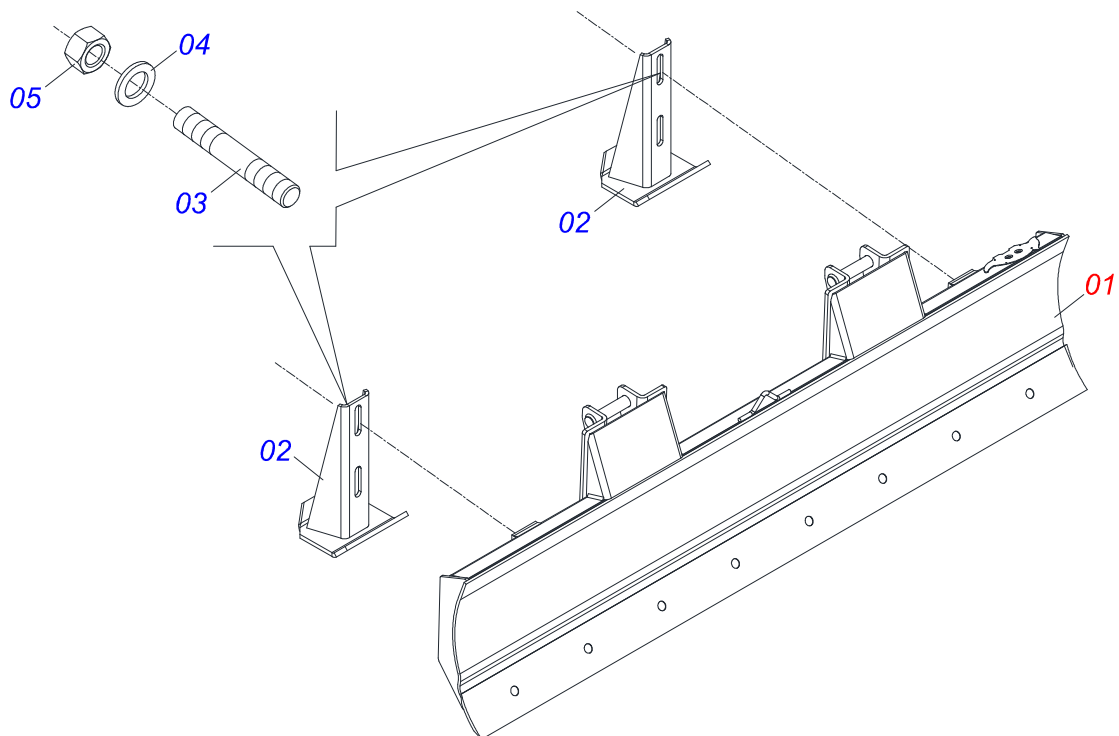


Item	Code	Description	See page	QT
01	0521065528	MOVEL SUPPORT		01
02	0531011180	UPPER BODY CLIP		10
03	0561015035	COUPLING SHAFT		02
04	0503010073	3/8 X 3-1/2 COTTERPIN		10
05	0511066079	LARGER COPY		01
06	0511043359	ARTICULATION ASSY	11	01
07	0511066123	SMALLER COPY		02
08	0511066120	LEFT SMALLER COPY		02
09	0521061020	PLOUGH SUPPORT ASSY		02
10	0503030012	HAIR PIN		06
11	0561015034	COUPLING SHAFT		06
12	0503010002	1800 GREASE FITTING		04
13	0561014067	COUPLING SHAFT		02
14	0502012530	REGULATOR NUT BODY R1		02
15	0502012562	LEFT SPINDLE R1 X 160		02
16	0502012529	RIGHT SPINDLE R1 X 160		02
17	0561015578	3/4 X 56 PCA VTR A750 COUPLING SHAFT		02
18	0503010300	5/32" X 1" COTTERPIN		04
19	0521012777	COUPLING SHAFT		02
20	0503010071	3/16" X 1" COTTERPIN		02

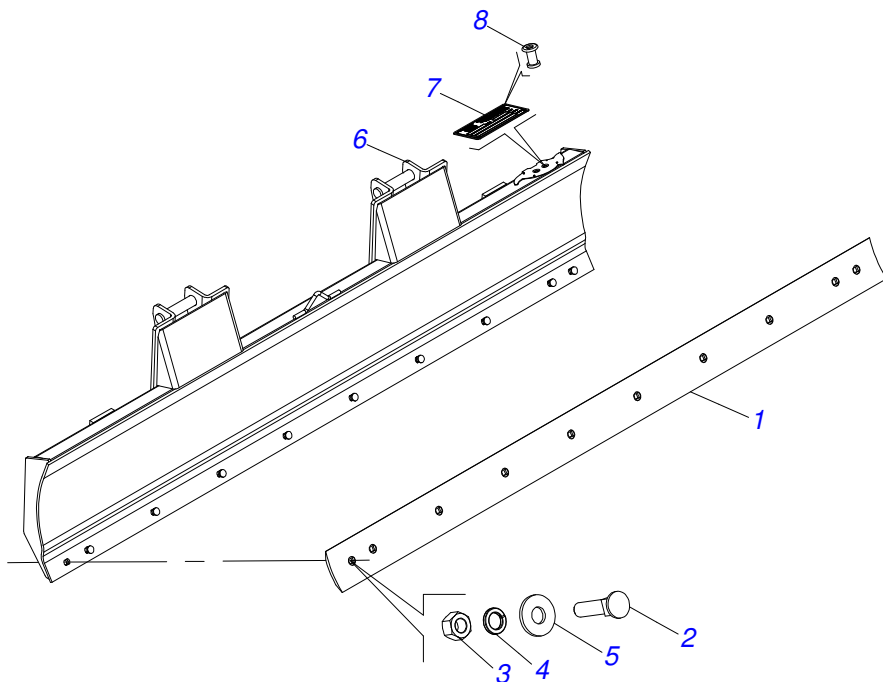
ARTICULATION ASSY



Item	Code	Description	See page	QT
01	0511066088	ARTICULATION		01
02	0521060524	DISARM LEVER		01
03	0503010071	3/16" X 1" COTTERPIN		01
04	0541014962	DISASSEMBLE TRIGGER		01
05	0503032132	COMPRESSION SPRING		01
06	0511066181	ARM DISARM		01
07	0541014964	BODY LEFT ARM DISARM		01
08	0503010849	3/8" X 1-1/2" BOLT		02
09	0503010025	3/8" SPRING WASHER		04
10	0503010026	3/8" NUT		04
11	0541014963	LOCK PIN PCA-T 1750		02
12	0501010096	3/8" X 2" BOLT		02
13	0503010285	2-222 N 3006-9B O'RING		04
14	0503031574	6.9" X 0.8" X 0.1" EXTENSION SPRING		01
15	0503010002	1800 GREASE FITTING		04
16	0503010571	1/4" X 1.1/2 COTTERPIN		01
17	0511017302	FLAT WASHER		01

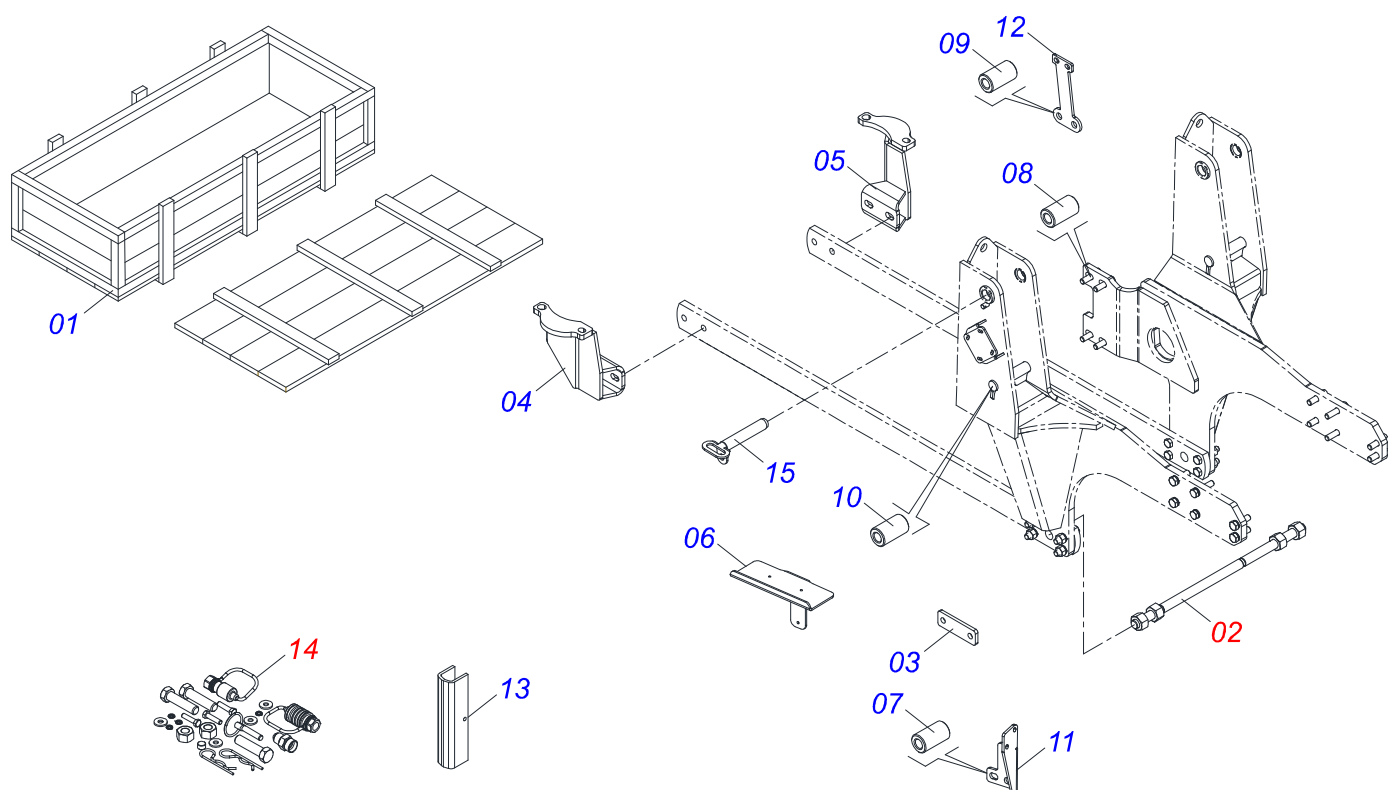


Item	Code	Description	See page	QT
01	0511048239	LDA 2600 WITHOUT SHOE	13	01
02	0501063411	ESTABILIZER BRACKET		02
03	0561016756	3/4 UNC X 3/4 UNC X 56 PRISONER		04
04	0501010322	FLAT WASHER		04
05	0503010014	3/4" NUT		04
06	0503031087	ADHESIVE LABEL		01
07	0503033429	ADHESIVE LABEL		01

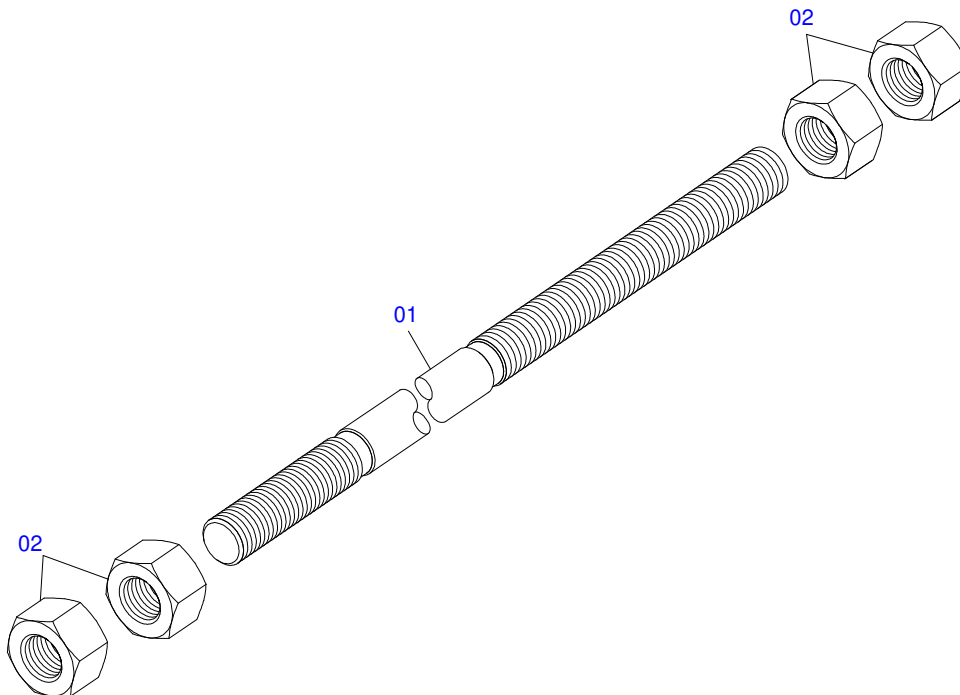


Item	Code	Description	See page	QT
01	0622360011	2600 SCRAPER REVERSIBLE		01
02	0501012240	BOLT		08
03	0503010013	5/8" NUT		08
04	0503011445	SPRING WASHER		08
05	0501012140	FLAT WASHER		08
06	0521061289	2400MM DOZER BLADE		01
07	0503034003	SERIAL NUMBER TAG 61 X 118		01
08	0503010001	3.2 X 5.5 RIVET		04

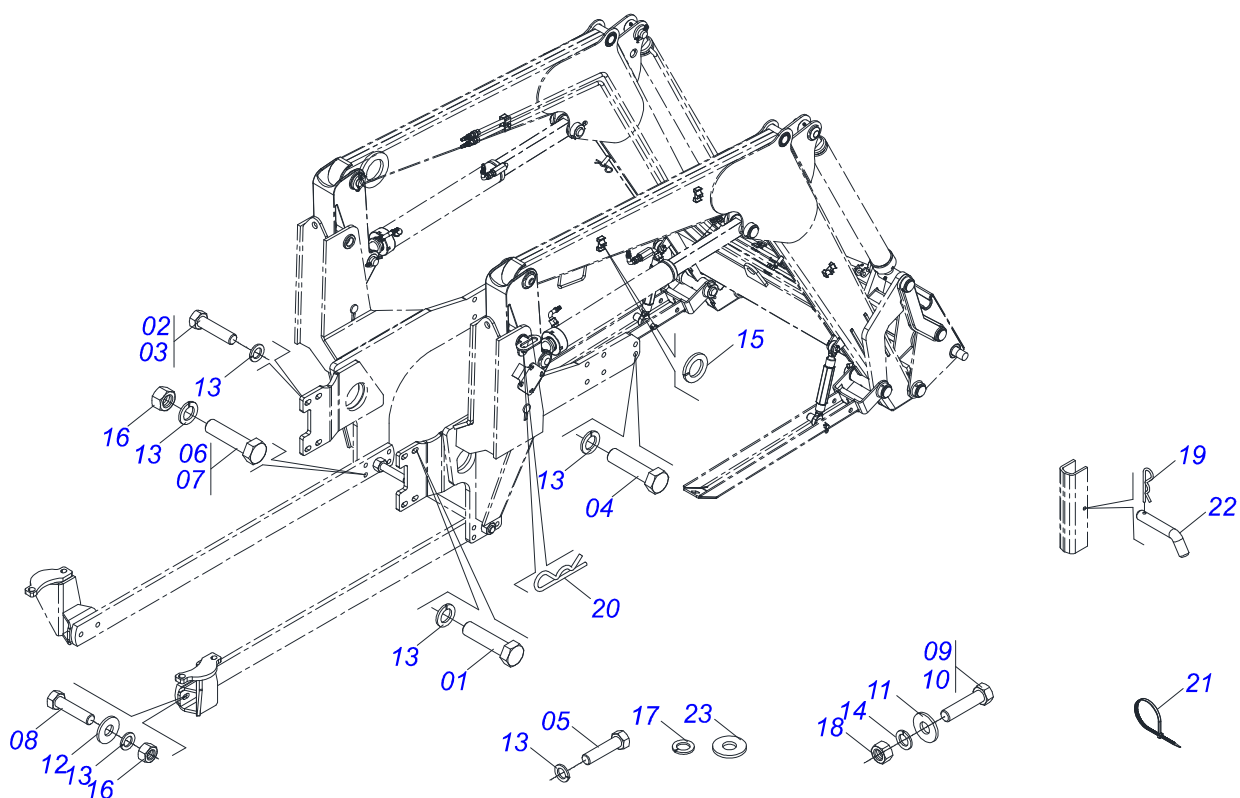




Item	Code	Description	See page	QT
01	0501100126	WOOD BOX		01
02	0501041652	FULL 1.1/4" X 31.88" ROD ASSY	15	01
03	0571018443	PLATE		02
04	0521066397	RIGHT REAR SHOE		01
05	0521066398	LEFT REAR SHOE		01
06	0571018366	SUPPORT TOOL CHEST		01
07	0571018374	SLEEVE		01
08	0571018372	SLEEVE		02
09	0571018371	SLEEVE		02
10	0551019342	SLEEVE		02
11	0571018365	SUPORTE EXHAUST		01
12	0571018369	SUPPORT		01
13	0531017238	LOCK TRANSPORT		02
14	0511031686	PACKAGED PARTS	16	01
15	0521061681	SUPPORT FIXER AXLE		02



Item	Code	Description	See page	QT
01	0501014916	1.1/4" X 31.88" ROD		01
02	0501010087	1.1/4" NUT		04



Item	Code	Description	See page	QT
01	0503013365	M20 X 2,5 X 140 BOLT		02
02	0503013090	M20 X 2,5 X 100 BOLT		02
03	0503013103	M20 X 2,5 X 90 BOLT		02
04	0503013111	M20 X 2,5 X 65 BOLT		12
05	0503013629	M20 X 2,5 X 40 C S 8.8 ZN SCREW		04
06	0503012334	3/4" UNC X 3.1/2" BOLT		02
07	0501010500	3/4"X3"BOLT		12
08	0503011196	3/4" X 2-1/4" BOLT		04
09	0503010920	1/2" X 1.1/2" BOLT		04
10	0501010155	1/2" X 1" BOLT		01
11	0511017302	FLAT WASHER		04
12	0501010322	FLAT WASHER		14
13	0503010023	3/4" SPRING WASHER		36
14	0503010019	1/2" SPRING WASHER		06
15	0503010180	7/16" SPRING WASHER		02
16	0503010014	3/4" NUT		16
17	0503010013	5/8" NUT		04
18	0503010060	1/2" NUT		04
19	0503030168	HAIR PIN		02
20	0503030012	HAIR PIN		02
21	0503013100	NYLON CLAMP		08
22	0541016844	FIXER LOCK		02
23	0501012140	FLAT WASHER		04





**MARCHESAN**

**Technical Publications | Elaboration and Revision**

LORENA ROCHA ALVES

[www.marchesan.com.br](http://www.marchesan.com.br)

