

ROTARY CUTTERS

**RO2 3101 WITH WHEEL/POWER
PROTECTION/REVERSIBLE SKIM**

Code: 0501092996

Series: S-0615

Revision: 00

Date Revision: MAIO/2021

**PARTS
CATALOGUE**



MARCHESAN



PRODUCTS

Code	Description
0104040007	RO2 3101 C/R C/PROT C/ROC REVERS DM S-0615

ATTENTION: IMPORTANT

Marchesan S.A. reserves the right to improve and / or modify the technical features of its products, without obligation to do the same with those products already sold and without prior knowledge of the dealer or the consumer.

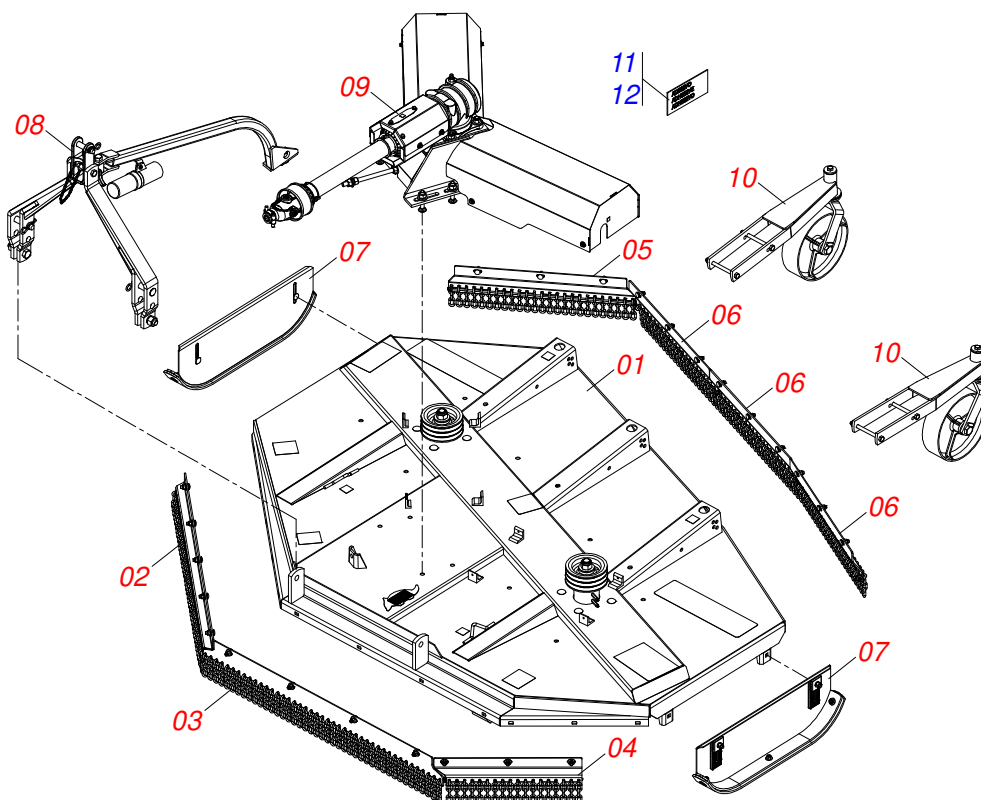


MARCHESAN

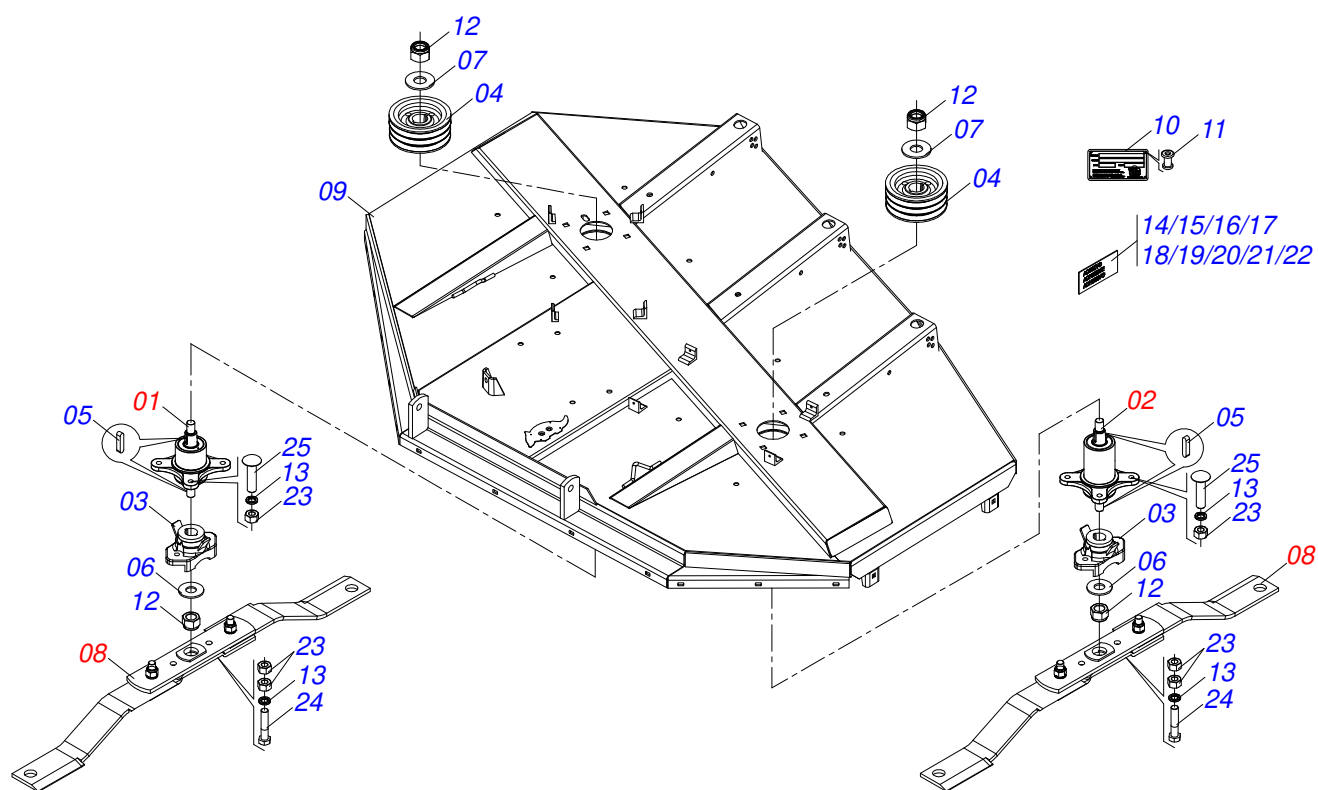
INDEX

0521047405	ASSY FRAME	1
0521051113	SEMI-ASSEMBLED FRAME	2
0511043567	ROTARY CUTTERS HUB ASSY	3
0511043566	ROTARY CUTTERS HUB ASSY	4
0521051104	SUPPORT ROTARY CUTTER BLADES	5
0511059204	RIGHT FRONT CURRENT PROTECTION	6
0511059205	CENTRAL FRONT CHAIN PROTECTION	7
0511059206	LEFT FRONT CURRENT PROTECTION	8
0511059202	CURRENT PROTECTION 892	9
0511059203	CURRENT PROTECTION 820	10
0909095768	SKID ASSY	11
0909095769	CONJUNTO CABEZAL	12
0521051649	MANUAL STORAGE TUBE ASSY	13
0909095770	MULTIPLICATOR ASSY	14
0501051019	MULTIPLIER	15
0501046851	MULTIPLIER	16
0501047952	DRIVE SHAFT	17
0511047301	CARRYING WHEELS ASSY	18

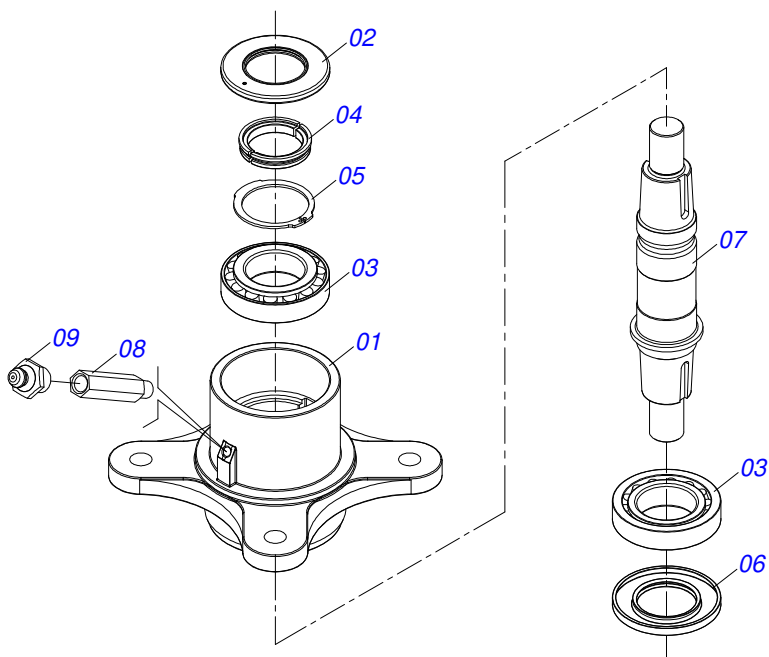
ASSY FRAME



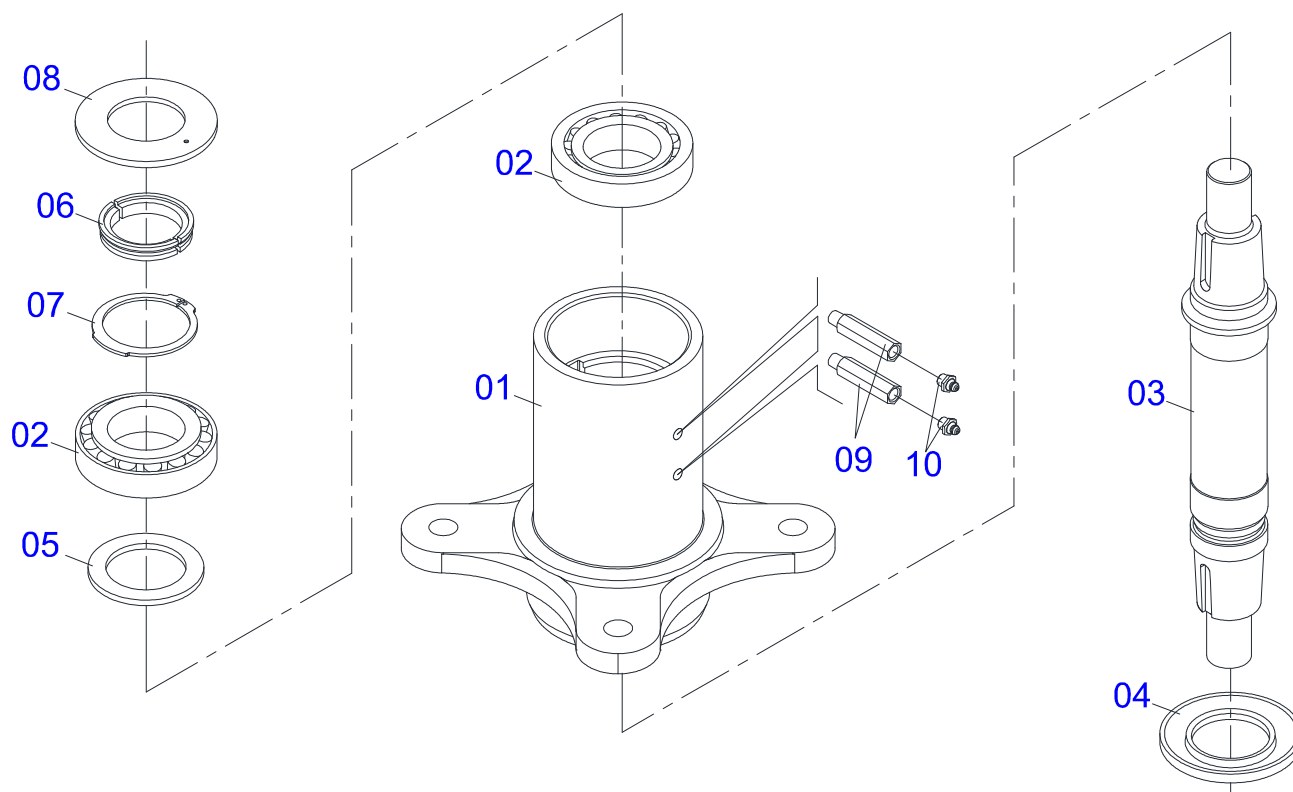
Item	Code	Description	See page	QT
01	0521051113	SEMI-ASSEMBLED FRAME	2	01
02	0511059204	RIGHT FRONT CURRENT PROTECTION	6	01
03	0511059205	CENTRAL FRONT CHAIN PROTECTION	7	01
04	0511059206	LEFT FRONT CURRENT PROTECTION	8	01
05	0511059202	CURRENT PROTECTION 892	9	01
06	0511059203	CURRENT PROTECTION 820	10	03
07	0909095768	SKID ASSY	11	01
08	0909095769	CONJUNTO CABEZAL	12	01
09	0909095770	MULTIPLICATOR ASSY	14	01
10	0511047301	CARRYING WHEELS ASSY	18	02
11	0503031087	ADHESIVE LABEL		01
12	0503034247	ADHESIVE LABEL POINT LUBRICATION		03



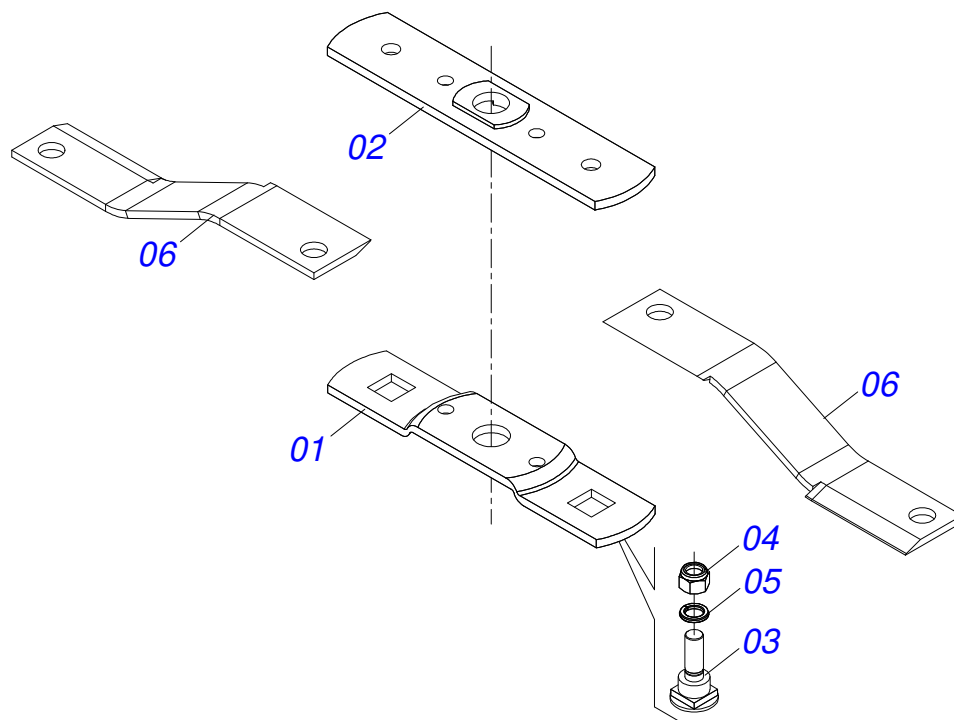
Item	Code	Description	See page	QT
01	0511043567	ROTARY CUTTERS HUB ASSY	3	01
02	0511043566	ROTARY CUTTERS HUB ASSY	4	01
03	0502012453	SUPPORT FLANGE		02
04	0502011377	REEL 190 X 50 PULLEY		02
05	0501010536	KEYWAY SQUARE		08
06	0501017779	32 X 60 X 4.75 FLAT WASHER		02
07	0561015762	FLAT WASHER		02
08	0521051104	SUPPORT ROTARY CUTTER BLADES	5	02
09	0521064680	FRAME		01
10	0503034003	SERIAL NUMBER TAG 61 X 118		01
11	0503010001	3.2 X 5.5 RIVET		04
12	0503010817	1.1/4" SELF LOCKING NUT		04
13	0503011442	3/4" SPRING WASHER		12
14	0503031427	ADHESIVE LABEL		01
15	0503031428	READ MANUAL DECAL		01
16	0503031929	ADHESIVE LABEL		01
17	0503031930	ADHESIVE LABEL		01
18	0503031931	ADHESIVE LABEL		01
19	0503032949	ADHESIVE LABEL		01
20	0503034078	LIFTING POINTS DECAL		04
21	0503034333	ADHESIVE LABEL		01
22	0503034504	ADHESIVE LABEL RO2 3101		01
23	0503010014	3/4" NUT		16
24	0503011328	3/4" X 4" BOLT		04
25	0503013122	3/4 UNC X 4.1/4 CAPQ G.5 ZNBOLT		08



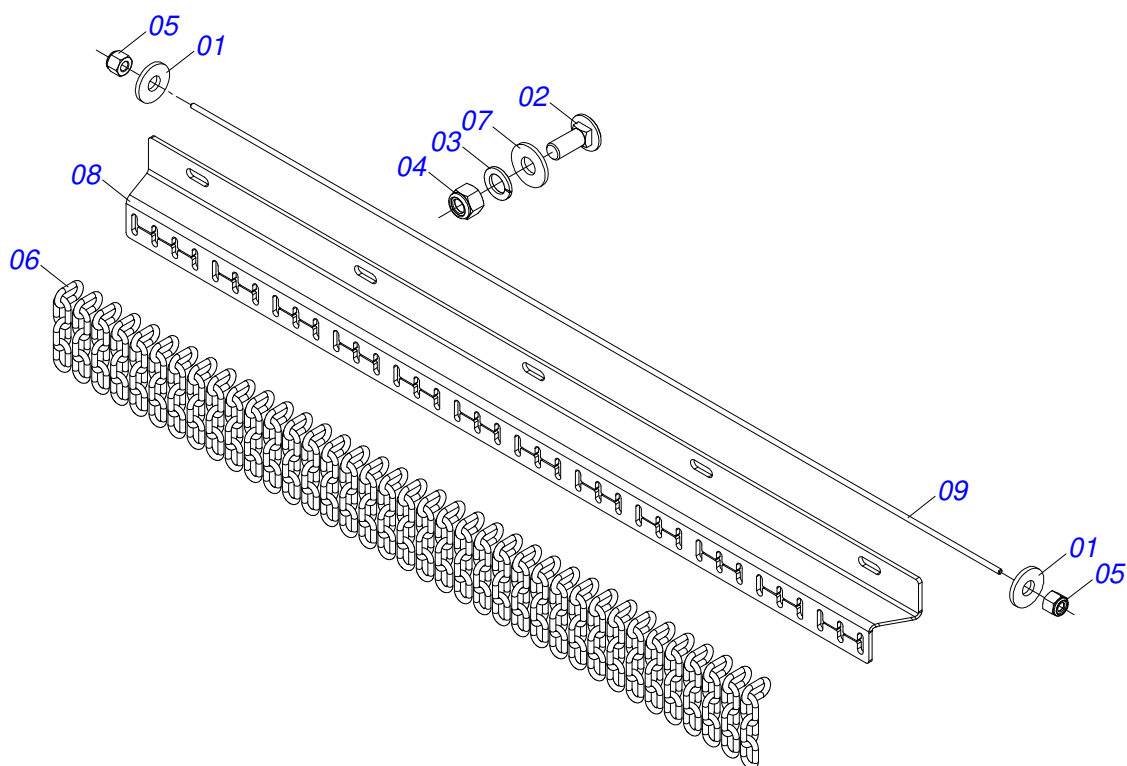
Item	Code	Description	See page	QT
01	0502012294	DROP HUB		01
02	0503013201	ARCA 6016 BRG SEAL		01
03	0503012418	32211 ROLLER BEARING		02
04	0541014445	LOCK RING		01
05	0503012311	501065 RENO RING		01
06	0503013211	6016 BRG SEAL		01
07	0541014095	ROTARY CUTTERS SMALLER AXLE		01
08	0501019757	EXTENSION GREASE FITTING		01
09	0503010002	1800 GREASE FITTING		01



Item	Code	Description	See page	QT
01	0502012295	ROTARY CUTTERS HUB		01
02	0503012418	32211 ROLLER BEARING		02
03	0541014094	LARGER AXLE		01
04	0503013201	ARCA 6016 BRG SEAL		01
05	0541014151	FLAT WASHER		01
06	0531019302	LOCK RING		01
07	0503012311	501065 RENO RING		01
08	0503013211	6016 BRG SEAL		01
09	0501019757	EXTENSION GREASE FITTING		02
10	0503010002	1800 GREASE FITTING		02

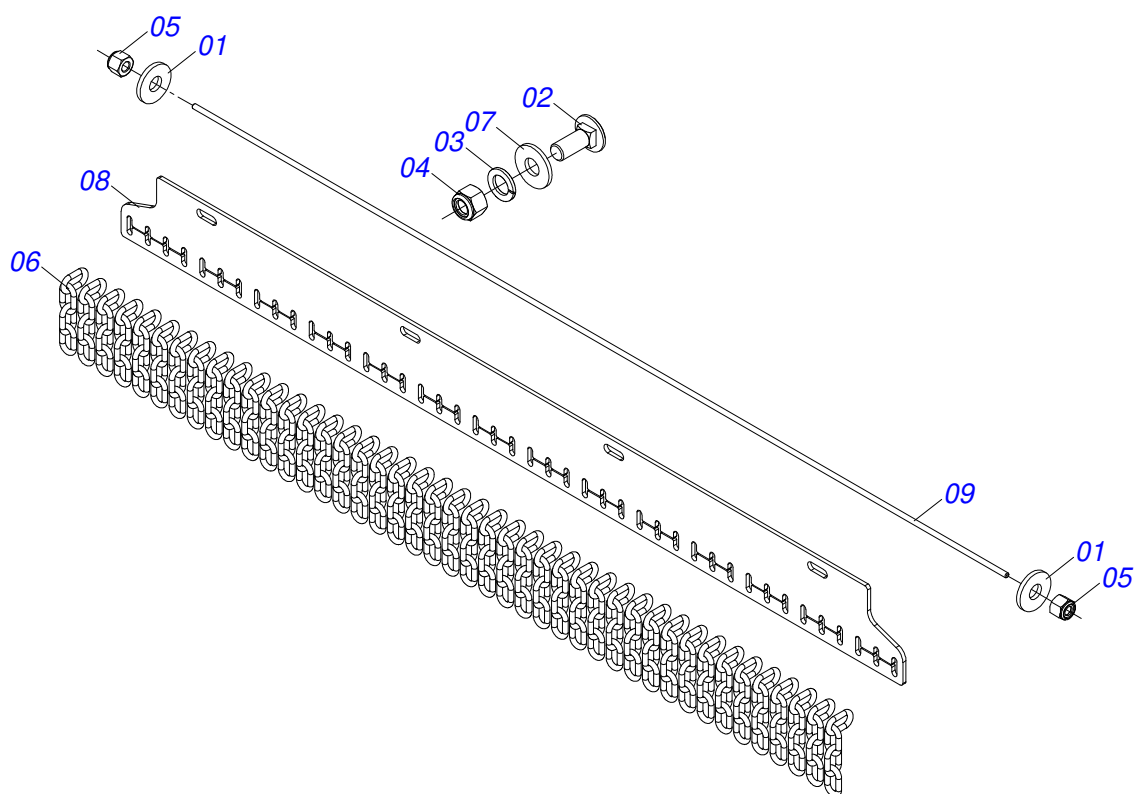


Item	Code	Description	See page	QT
01	0561017368	ROTARY LOWER SUPPORT		01
02	0561017308	SUPPORT UPPER BASE		01
03	0511019000	BOLT		02
04	0503010812	7/8" UNF SELF LOCKING NUT		02
05	0503011447	SPRING WASHER		02
06	0622400072	BLADES DM 607X100X12 REVERSIBLE		02



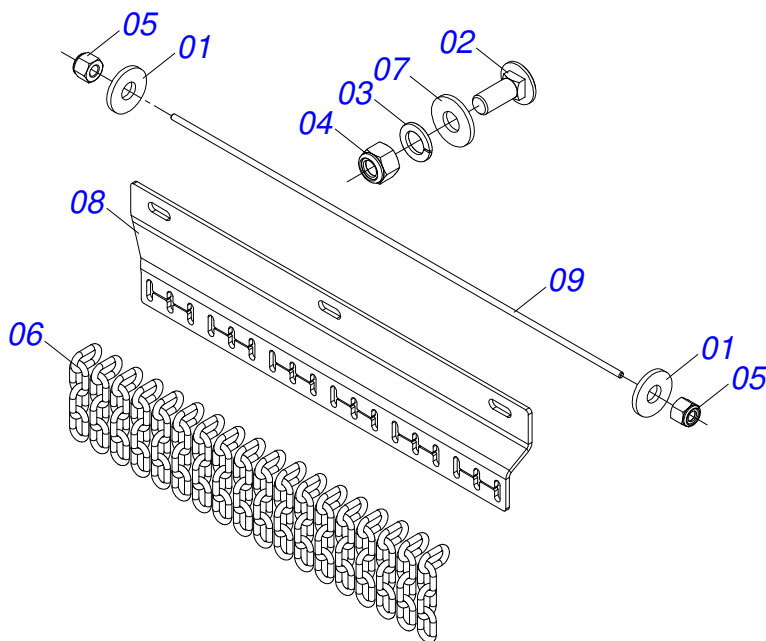
Item	Code	Description	See page	QT
01	0501010984	FLAT WASHER		02
02	0501011600	1/2" X 1-1/4" BOLT		05
03	0503010019	1/2" SPRING WASHER		05
04	0503012682	1/2" BSW NUT		05
05	0503013759	NUT		02
06	0511011774	8,00 CHAIN 4 LINK		37
07	0511017302	FLAT WASHER		05
08	0581011784	RIGHT FRONT CHAIN PROTECTION BODY		01
09	0581011785	CURRENT PROTECTION BAR (1398)		01

CENTRAL FRONT CHAIN PROTECTION

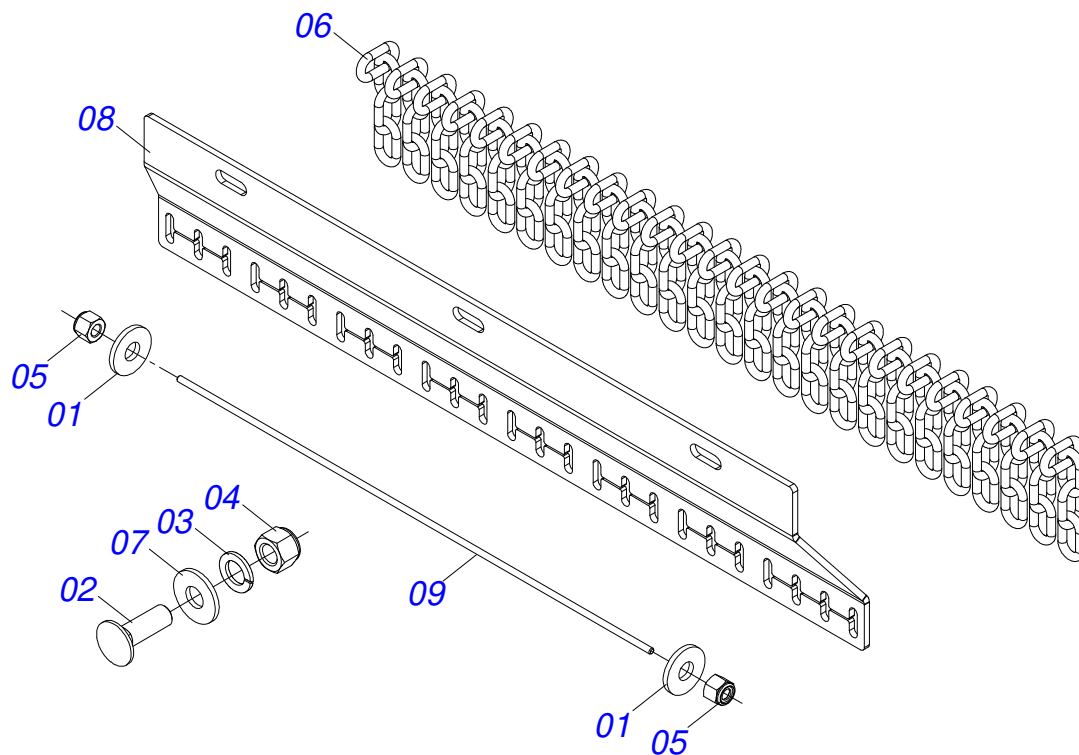


Item	Code	Description	See page	QT
01	0501010984	FLAT WASHER		02
02	0501011600	1/2" X 1-1/4" BOLT		04
03	0503010019	1/2" SPRING WASHER		04
04	0503012682	1/2" BSW NUT		04
05	0503013759	NUT		02
06	0511011774	8,00 CHAIN 4 LINK		43
07	0511017302	FLAT WASHER		04
08	0581011786	CHAIN PROTECTION BODY (1405)		01
09	0581011787	CURRENT PROTECTION ROD (1550)		01

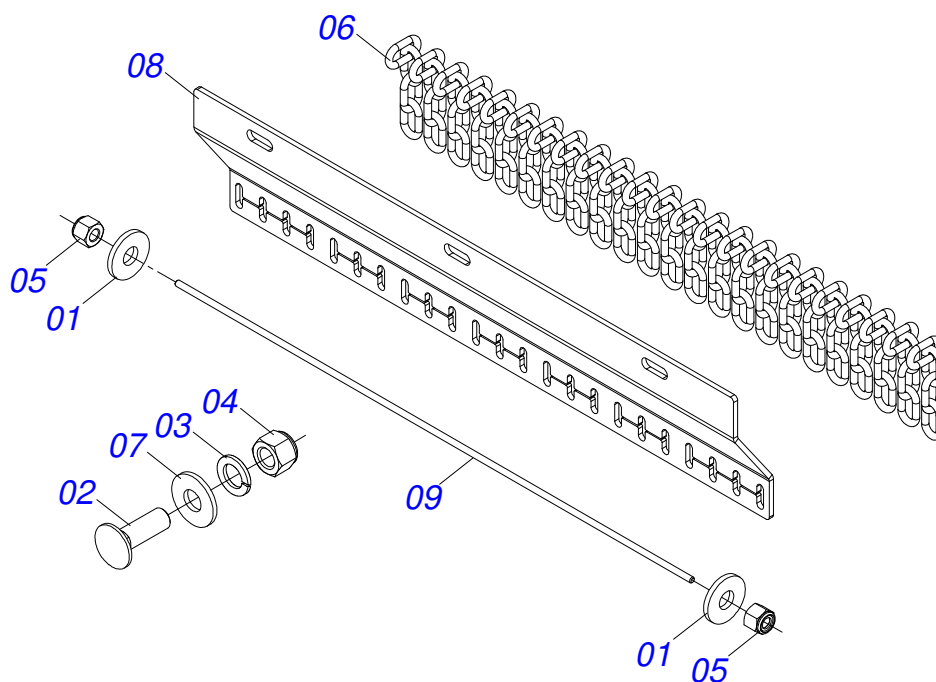
LEFT FRONT CURRENT PROTECTION



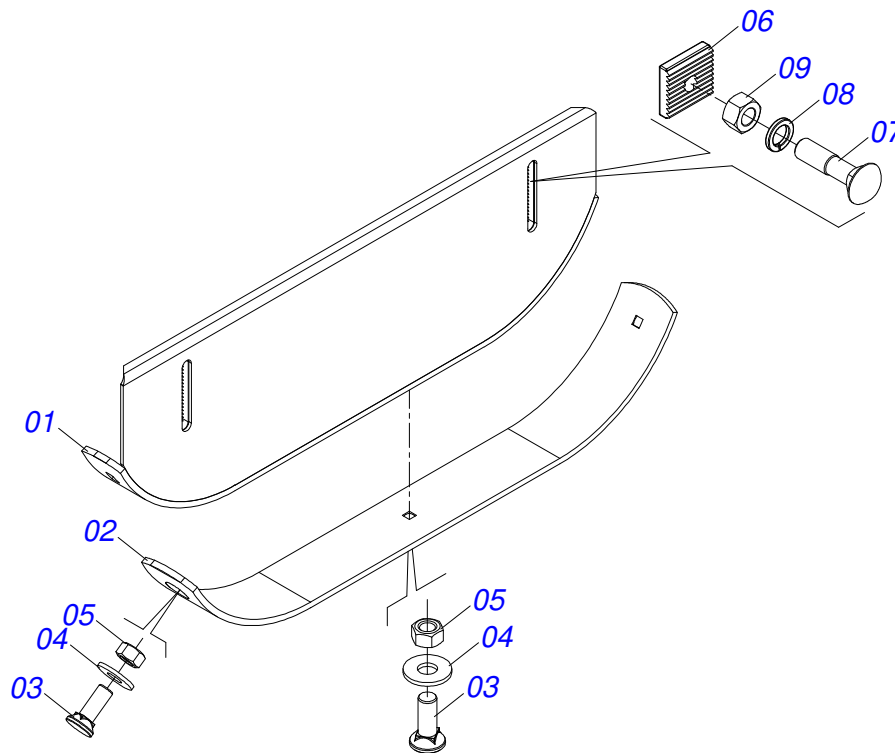
Item	Code	Description	See page	QT
01	0501010984	FLAT WASHER		02
02	0501011600	1/2" X 1-1/4" BOLT		03
03	0503010019	1/2" SPRING WASHER		03
04	0503012682	1/2" BSW NUT		03
05	0503013759	NUT		02
06	0511011774	8,00 CHAIN 4 LINK		18
07	0511017302	FLAT WASHER		03
08	0581011788	LEFT FRONT CHAIN PROTECTION BODY		01
09	0581011789	CURRENT PROTECTION ROD (650)		01



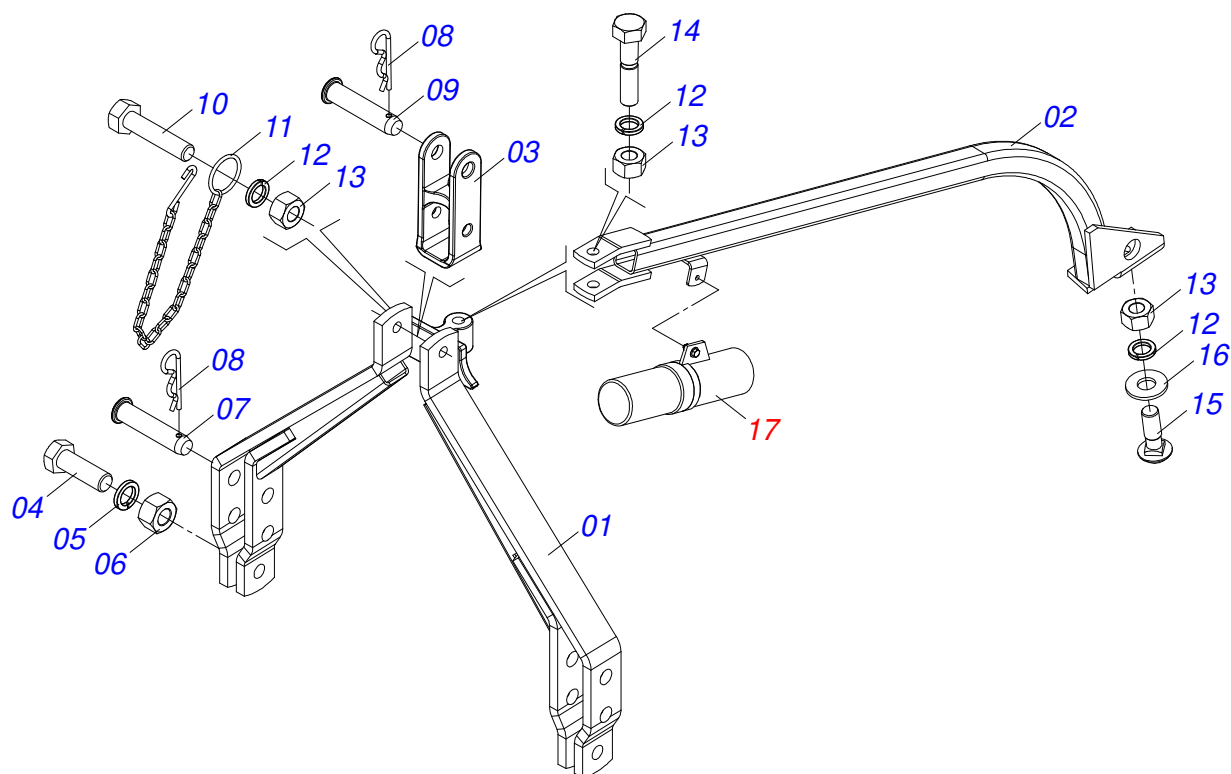
Item	Code	Description	See page	QT
01	0501010984	FLAT WASHER		02
02	0501011600	1/2" X 1-1/4" BOLT		03
03	0503010019	1/2" SPRING WASHER		03
04	0503012682	1/2" BSW NUT		03
05	0503013759	NUT		02
06	0511011774	8,00 CHAIN 4 LINK		25
07	0511017302	FLAT WASHER		03
08	0581011780	CHAIN PROTECTION BODY 892		01
09	0581011781	CURRENT PROTECTION ROD (900)		01



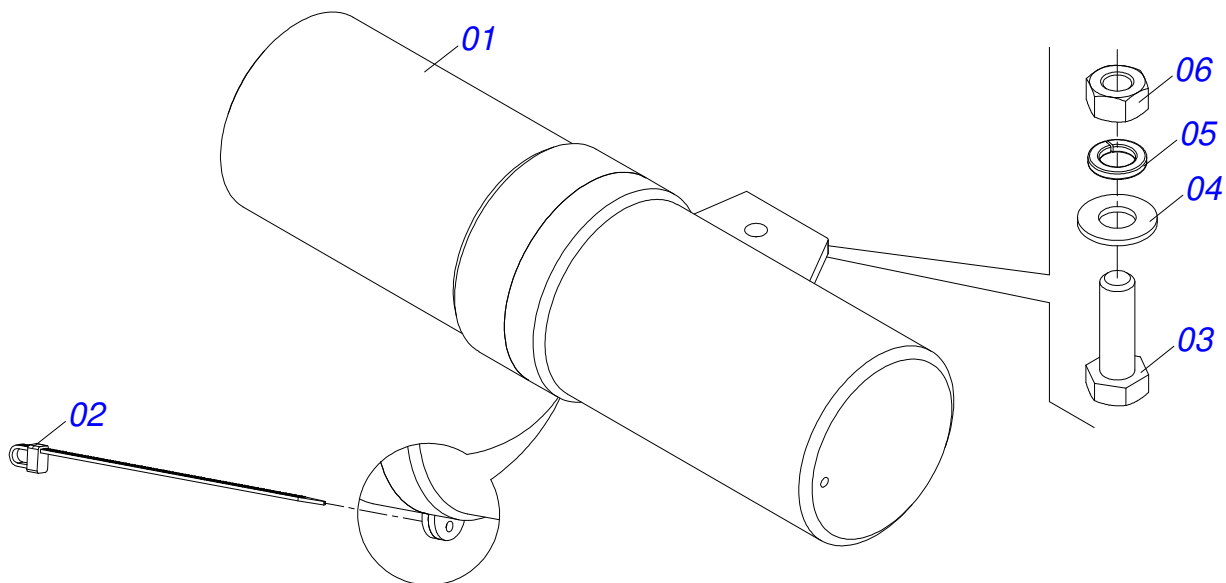
Item	Code	Description	See page	QT
01	0501010984	FLAT WASHER		02
02	0501011600	1/2" X 1-1/4" BOLT		03
03	0503010019	1/2" SPRING WASHER		03
04	0503012682	1/2" BSW NUT		03
05	0503013759	NUT		02
06	0511011774	8,00 CHAIN 4 LINK		23
07	0511017302	FLAT WASHER		03
08	0581011782	CHAIN PROTECTION BODY 820		01
09	0581011783	CURRENT PROTECTION ROD (830)		01



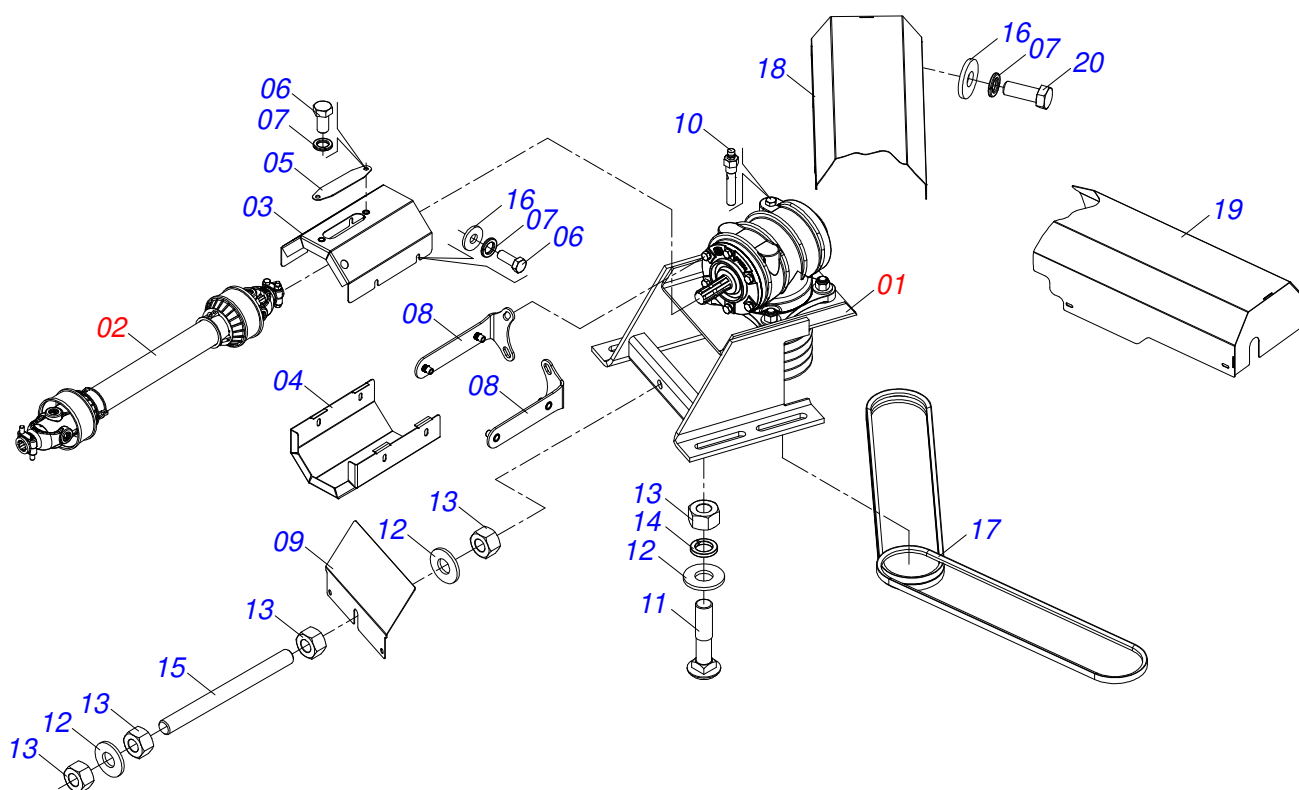
Item	Code	Description	See page	QT
01	0511064761	930 LEFT SKID		02
02	0531019436	SKID GUIDE		02
03	0503012956	1/2" X 1-1/2" BOLT		06
04	0511017302	FLAT WASHER		06
05	0503012682	1/2" BSW NUT		06
06	0502010083	SQUARE WASHER		04
07	0501014177	5/8" X 2-1/2" BOLT		04
08	0503010027	5/8" SPRING WASHER		04
09	0503010013	5/8" NUT		04



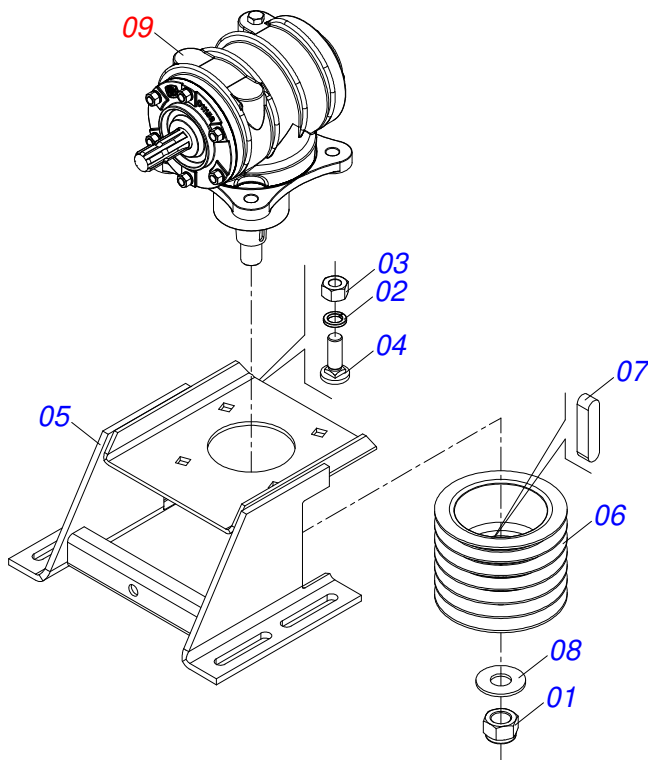
Item	Code	Description	See page	QT
01	0501066446	DRAWBAR		01
02	0521066524	ATTACHMENT BAR		01
03	1902040922	ROTARY COTTERS HEAD SUPPLEMENT		01
04	0503011432	BOLT		02
05	0503010012	1" SPRING WASHER		02
06	0501010059	1.5/8 NUT		02
07	0521010596	COUPLING SHAFT		02
08	0503031035	HAIR PIN		03
09	0521010578	COUPLING SHAFT		01
10	0503011198	C3/4" X 6" SCREW		01
11	0503011981	17.7" CHAIN WITH HOOK/LINK		02
12	0503010023	3/4" SPRING WASHER		03
13	0503010014	3/4" NUT		03
14	0501010216	3/4" X 4-1/2" BOLT		01
15	0501017305	3/4" X 2-1/4" BOLT		01
16	0501010322	FLAT WASHER		01
17	0521051649	MANUAL STORAGE TUBE ASSY	13	01



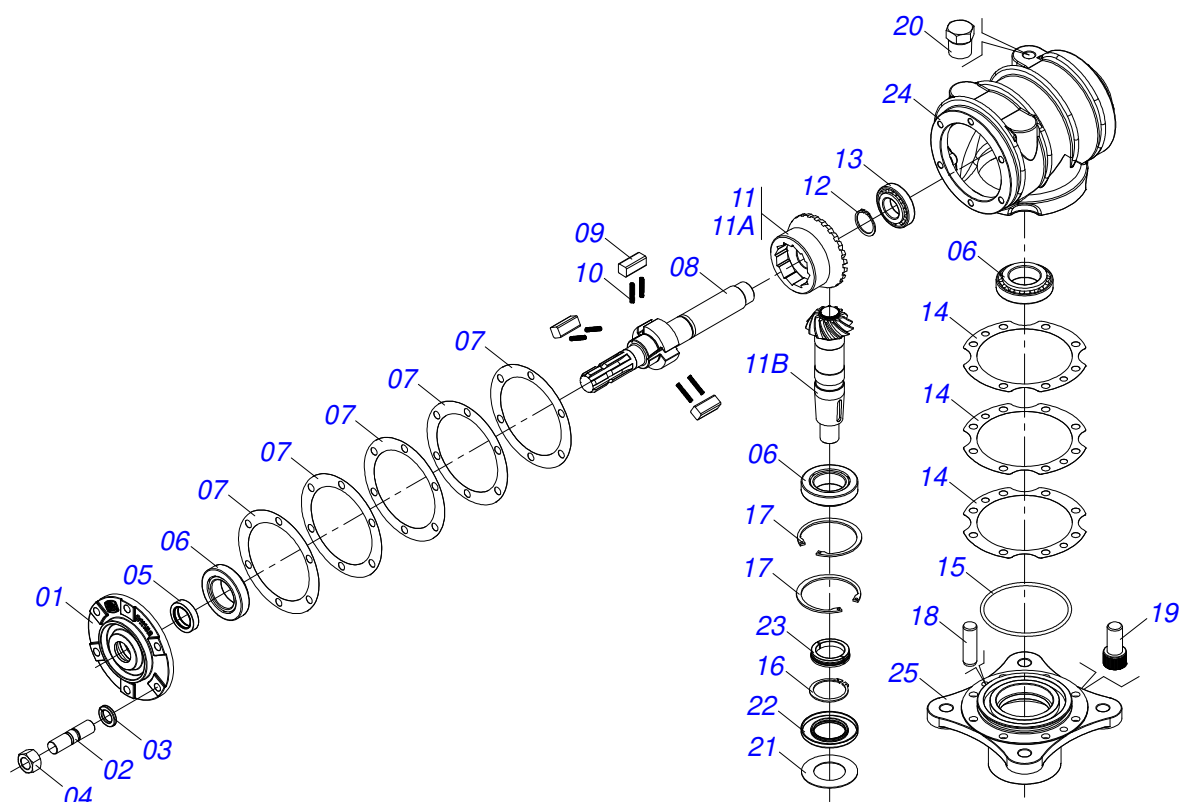
Item	Code	Description	See page	QT
01	0503060100	OPERATOR'S MANUAL STORAGE TUBE		01
02	0503010267	NYLON CLAMP		01
03	0503010363	5/16" X 1" BOLT		01
04	0501010694	8.5 X 18 X 1.5 FLAT WASHER		01
05	0503010179	5/16" ZN SPRING WASHER		01
06	0503010337	5/16" NUT		01
07	0501031123	PLASTIC COVER WITH INSTRUCTIONS MANUAL		01



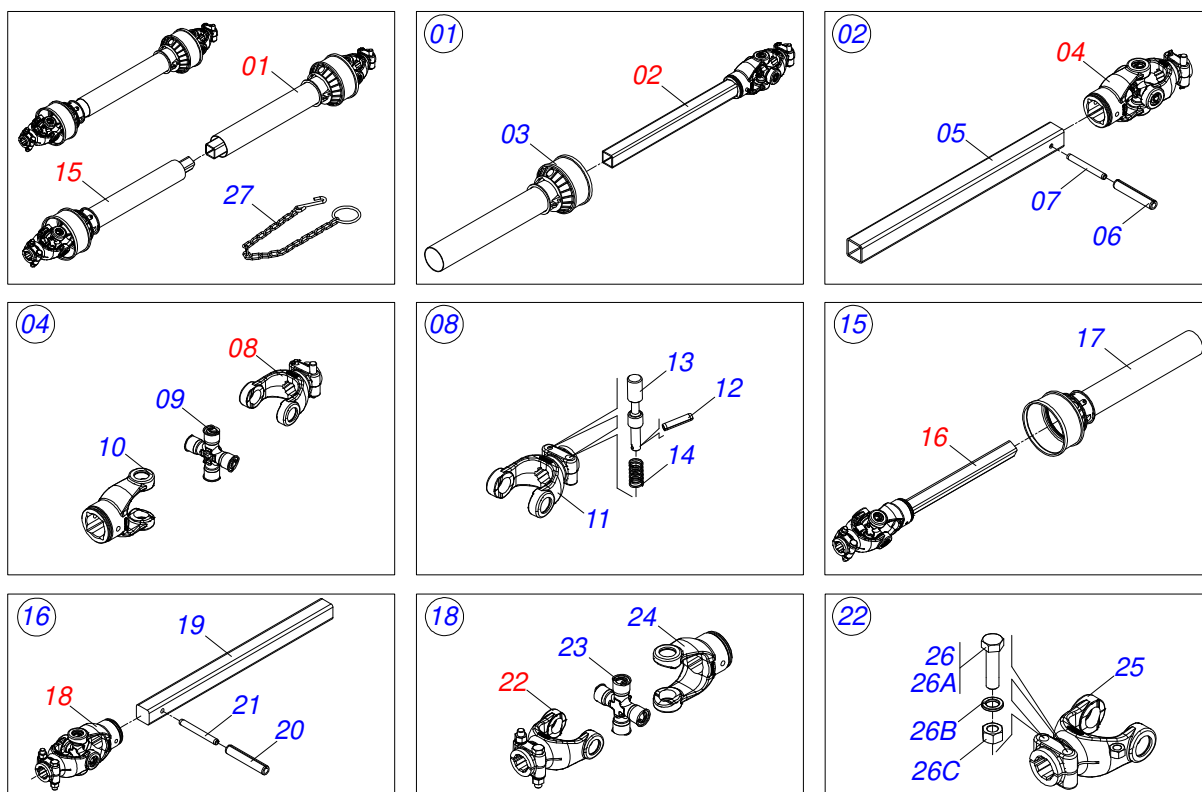
Item	Code	Description	See page	QT
01	0501051019	MULTIPLIER	15	01
02	0501047952	DRIVE SHAFT	17	01
03	0501110998	CARDAN TOP PROTECTION COVER		01
04	0581011777	BODY LOWER PROTECTION COAT		01
05	0581012546	LUBRICATION AXIS TRANSMISSION		01
06	0503010256	3/8" X 3/4" BOLT		02
07	0503010025	3/8" SPRING WASHER		14
08	0501110996	LOWER SUPPORT COVER PROTECTION WITH RIVET		02
09	0581013061	MULTIPLIER SUPPORT PROTECTION 315		01
10	0501110186	OIL SMALLER LEVEL INDICATOR		01
11	0501010162	3/4" X 4" BOLT		04
12	0501010322	FLAT WASHER		06
13	0503010014	3/4" NUT		08
14	0503010023	3/4" SPRING WASHER		04
15	0501016413	362 TENSIONER BODY		01
16	0501010984	FLAT WASHER		12
17	0503010156	C-85 BELT		06
18	0521066888	PROTECTION COVER BELT		01
19	0521066887	PROTECTION COVER OF THE BELT		01
20	0503010237	3/8" X 1" BOLT		08



Item	Code	Description	See page	QT
01	0503010044	1-1/4" SELF LOCKING NUT		01
02	0503011442	3/4" SPRING WASHER		04
03	0503010014	3/4" NUT		04
04	0511018358	3/4" X 2-1/4" 7MM BOLT		04
05	0501068059	MULTIPLIER SUPPORT		01
06	0502011378	6 REEL X 7.5" X 1.97" PULLEY		01
07	0501010536	KEYWAY SQUARE		02
08	0561015762	FLAT WASHER		01
09	0501046851	MULTIPLIER	16	01

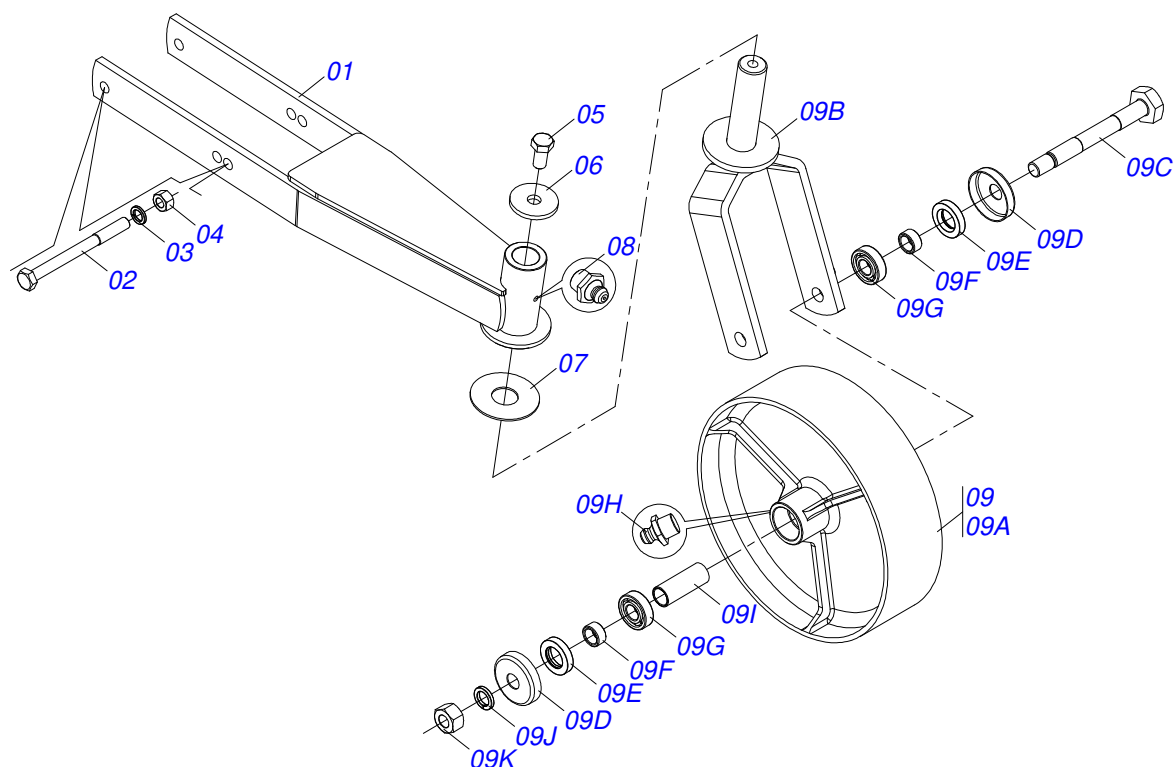


Item	Code	Description	See page	QT
01	0502011152	SMALLER COVER		01
02	0503030084	1/2" X 1/2" X 2.0" STUD		06
03	0503011440	SPRING WASHER		06
04	0503010028	1/2" NUT		06
05	0503011171	00912-BRG SEAL		01
06	0503010006	32210 ROLLER BEARING		03
07	0503030783	7.1" X 5.3" X 0.008" JOINT		05
08	0503050063	UPPER AXLE		01
09	0501010649	RATCHET CLICK		03
10	0503030051	0.2" X 1" X 0.1" COMPRESSION SPRING		06
11	0503060210	CROWN PINION SET		01
11A	0503050074	25Z CONICAL GEAR		01
11B	0503061048	PINION		01
12	0503010217	501040 CLAMPING RING (FOR AXLE)		01
13	0503010037	30207 ROLLER BEARING		01
14	0503030785	7.9" X 5.9" X 0.008" JOINT		03
15	0503010286	2-355 N 3006-9B O'RING		01
16	0503010396	501060 CLAMPING RING (FOR AXLE)		01
17	0503011190	SEAL RING		02
18	0503017877	PIN GUIDE		02
19	0503010562	1/2" X 1" BOLT		08
20	0503031604	1/2" BSP PLUG		01
21	0521018064	FLAT WASHER		01
22	0503011047	5089 SEAL		01
23	0511010142	LOCK RING		01
24	0502010984	LEFT MULTIPLIER BOX		01
25	0502011393	LOWER HUB		01

DRIVE SHAFT


Item	Code	Description	See page	QT
01	0501051705	UNIVERSAL JOINT WITH SLEEVE/PROT		01
02	0501051707	UNIVERSAL JOINT WITH SLEEVE		01
03	0503012084	PROTECTION FOR UNIV JOINT AND SLEEV		01
04	0501051708	UNIVERSAL JOINT		01
05	0511010332	23" X 1.8" SQUARE SLEEVE		01
06	0503010843	0.4" X 3.3" SPRING PIN		01
07	0503011878	0.2" X 3.3" SPRING PIN		01
08	0501050334	1-60 TERMINAL WITH QUICK HITCH		01
09	0503010837	CARDAN CROSSPIECE		01
10	0502011422	2-60 TERMINAL		01
11	0502010568	1-60 STRIATED 1.3/8" TERMINAL		01
12	0503010838	0.1" X 0.8" SPRING PIN		02
13	0503037375	PIN QUICK COUPLING		02
14	0503030518	0.5"X1.0"X 0.1" COMPRESSION SPRING		02
15	0501051706	UNIVERSAL JOINT WITH AXLE/PROT		01
16	0501051709	UNIVERSAL JOINT WITH SHAFT		01
17	0503012085	PROTECTION FOR UNIV JOINT AND AXLE		01
18	0501051710	UNIVERSAL JOINT		01
19	0511010326	1.4" X 23" SQUARE SHAFT		01
20	0503011069	0.4" X 2.8" SPRING PIN		01
21	0503011805	0.2" X 2.8" SPRING PIN		01
22	0501052516	T6-60 TERMINAL WITH SCREW		01
23	0503010837	CARDAN CROSSPIECE		01
24	0502011424	3-60 TERMINAL		01
25	0502010830	6-60 STRIATED 1.3/8" TERMINAL		01
26	0501047756	1/2" X 3" SET PARTS		02
26a	0503010479	BOLT		01
26b	0503010019	1/2" SPRING WASHER		01
26c	0503010060	1/2" NUT		01
27	0503012023	CHAIN FOR PROTECTION		02

CARRYING WHEELS ASSY



Item	Code	Description	See page	QT
01	0521065281	WHEEL SUPPORT		01
02	0503010795	5/8" X 7" BOLT		02
03	0503010027	5/8" SPRING WASHER		02
04	0503010013	5/8" NUT		02
05	0503010962	5/8" X 1-1/4" BOLT		01
06	0511010721	FLAT WASHER		01
07	0511013239	FLAT WASHER		01
08	0503010002	1800 GREASE FITTING		01
09	0501058460	CARRYING WHEELS		01
09A	0502012519	350 X 100 WHEEL		01
09B	0501065266	WHELL FORK		01
09C	0501017143	WHEEL AXLE		01
09D	0511014254	DUST CLOAK		02
09E	0503010268	00262-B SEAL		02
09F	0521010487	SPACER WASHER		02
09G	0503010269	6204 BALL BEARING		02
09H	0503010002	1800 GREASE FITTING		01
09I	0521010460	0.9" X 1.1" X 2.9" SLEEVE		01
09J	0503011442	3/4" SPRING WASHER		01
09K	0503010014	3/4" NUT		01



ANNOTATION



MARCHESAN

A series of 25 horizontal grey lines spaced evenly down the page, providing a template for handwritten annotations.





MARCHESAN

Technical Publications | Elaboration and Revision

ALESSANDRA PATRICIA KAWAHARA CARRILI

www.marchesan.com.br

