

AUXILIARY PRODUCTS

PAH 1700 / 100A-185CV / SHT

Code: 0501092995
Series: S-0610
Revision: 00
Date Revision: AGOSTO/2021

PARTS CATALOGUE



MARCHESAN



PRODUCTS

Code	Description
0107020240	PAH 1700 100A185 CV SHT C/A SD 1/2
0107020254	PAH 1700 100A185 CV SHT S/A S-0610

ATTENTION: IMPORTANT

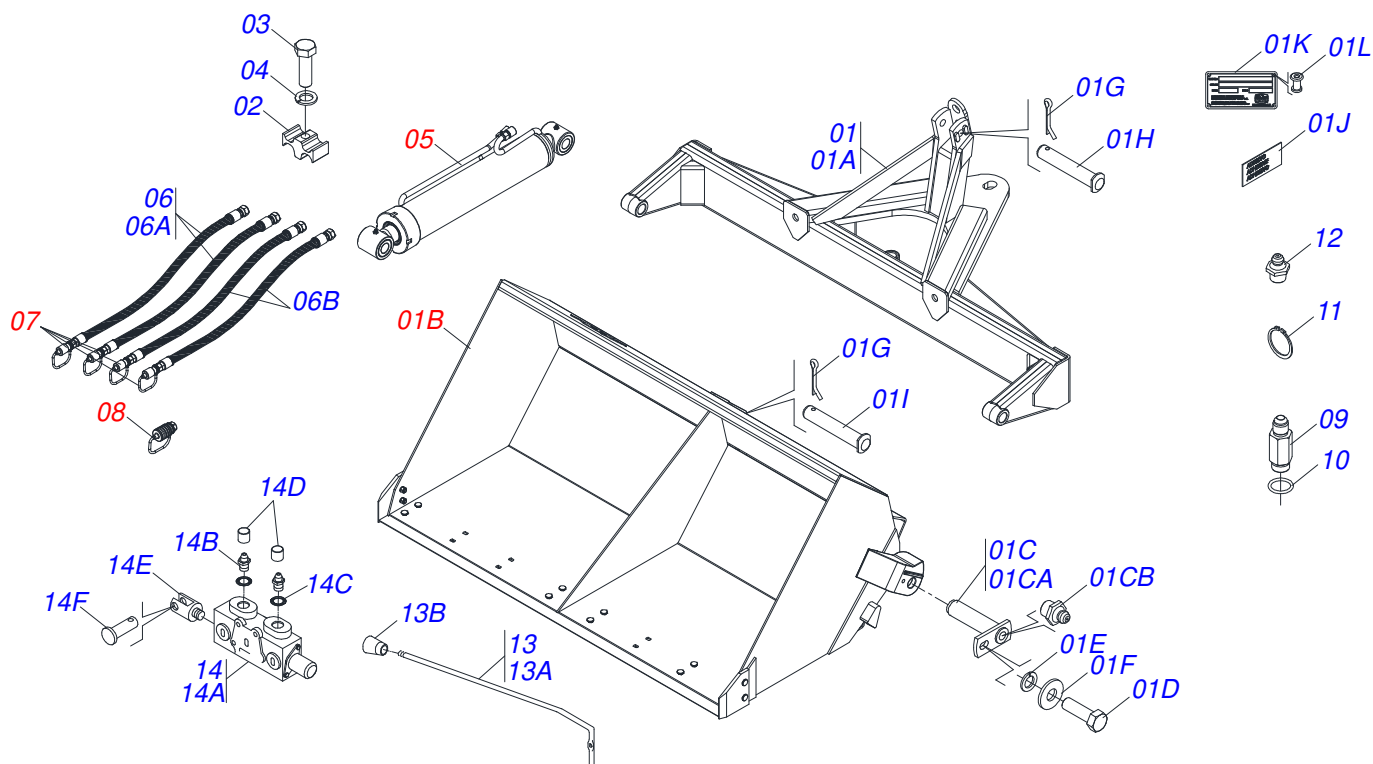
Marchesan S.A. reserves the right to improve and/or modify the technical features of its products, without obligation to do the same with those products already sold and without prior knowledge of the dealer or the consumer. The photos are only illustrative.



MARCHESAN

INDEX

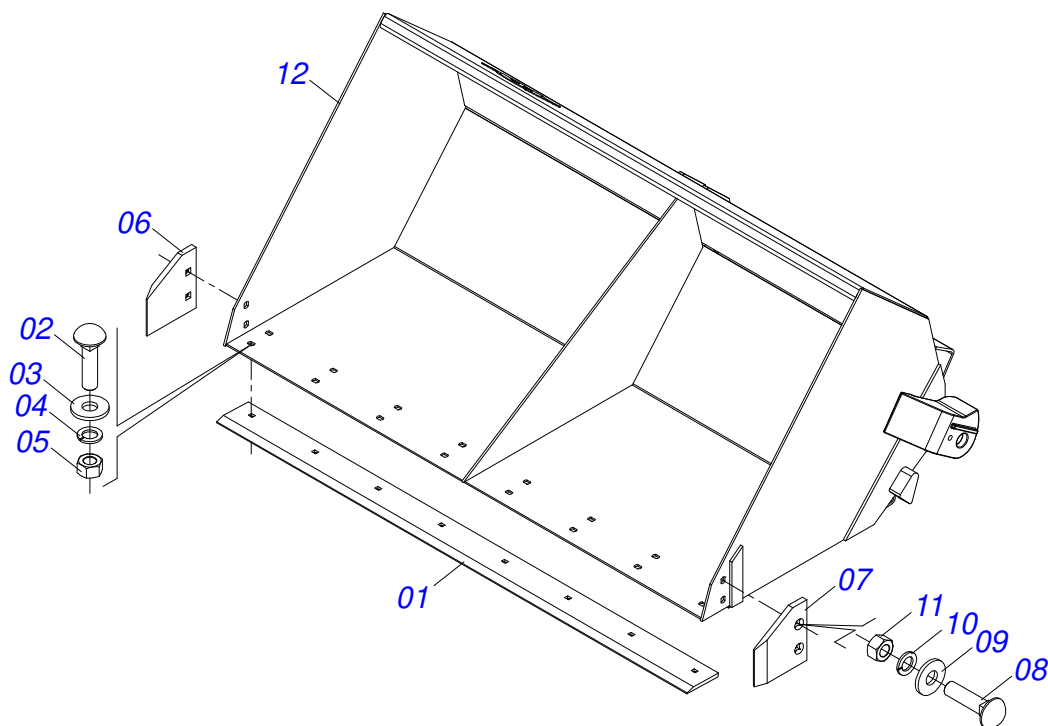
0909095786	PAH 1700	1
0501050248	1700 BUCKET ASSY	2
0511058427	HYDRAULIC CYLINDER 44,45 X 85,72 X 637 X 377	3
0501053834	MALE QUICK COUPLER	4
0501053835	FEMALE QUICK COUPLER	5



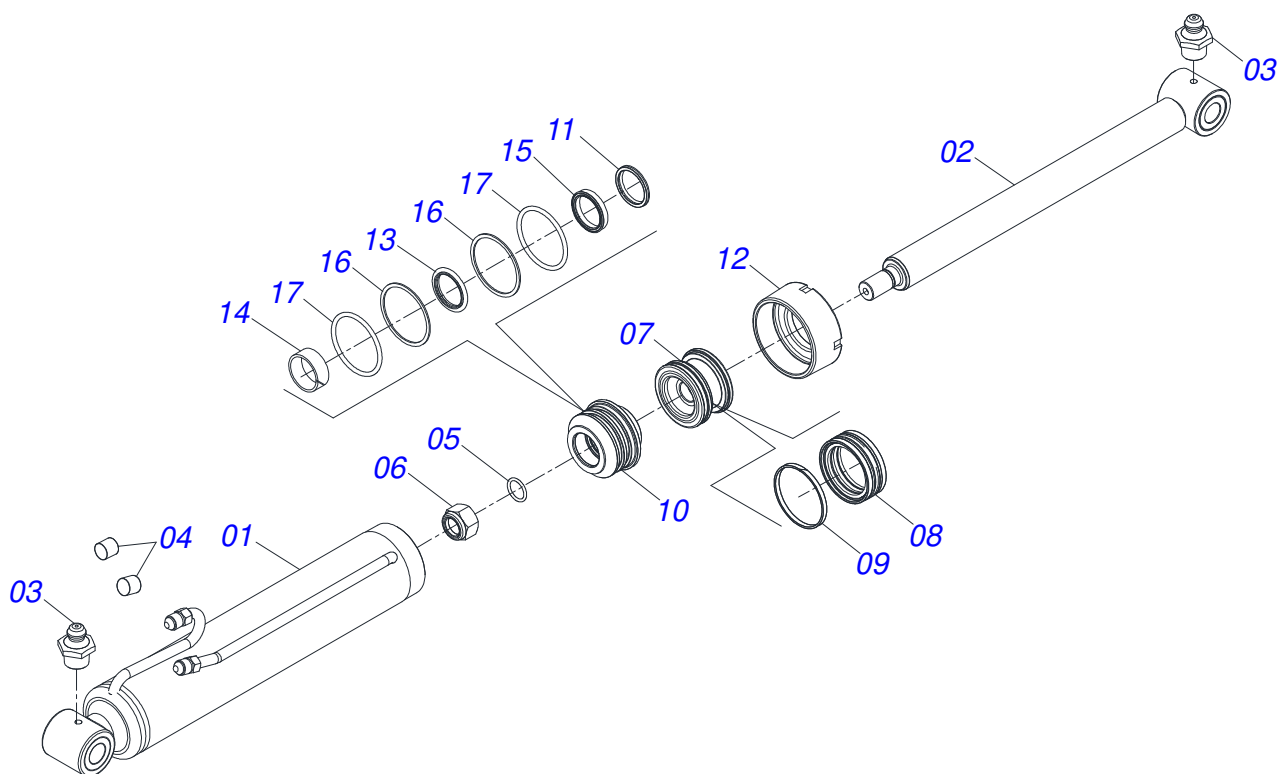
Item	Code	Description	See page	QT
01	0501042294	1700 BUCKET SUPPORT		01
01A	0501063382	BUCKET SUPPORT		01
01B	0501050248	1700 BUCKET ASSY	2	01
01C	0501042363	PIVOT SHAFT		02
01CA	0501063956	PIVOT SHAFT		01
01CB	0503010002	1800 GREASE FITTING		01
01D	0503010962	5/8" X 1-1/4" BOLT		02
01E	0503011445	SPRING WASHER		02
01F	0501012140	FLAT WASHER		02
01G	0503010523	1/4" X 2" COTTERPIN		02
01H	0521010785	COUPLING SHAFT		01
01I	0511016155	PIN		01
01J	0503033428	ADHESIVE LABEL		01
01K	0503034003	SERIAL NUMBER TAG 61 X 118		01
01L	0503010001	3.2 X 5.5 RIVET		04
02	0502012702	BODY SUPPORT CLAMP		03
03	0503012555	SCREW 7/16 UNC X 2 CS RT G.7 ZN		03
04	0503010180	7/16" SPRING WASHER		03
05	0511058427	HYDRAULIC CYLINDER 44,45 X 85,72 X 637 X 377	3	01
06	0511057161	HOSE KIT 1200		01
06A	0501080242	3/8" X 47" TR-TM HOSE		02
06B	0501080509	TR-TM HOSE ASSY		02
07	0501053834	MALE QUICK COUPLER	4	04
08	0501053835	FEMALE QUICK COUPLER	5	02
09	0511010111	7/8" NIPPLE		02
10	0503010045	O'RING		02
11	0503010217	501040 CLAMPING RING (FOR AXLE)		04
12	0503010002	1800 GREASE FITTING		02
13	0501042270	COMPLETE COMMAND LEVER		01
13A	0501067571	CONTROL LEVER		01
13B	0503030878	LEVER CRANK		01



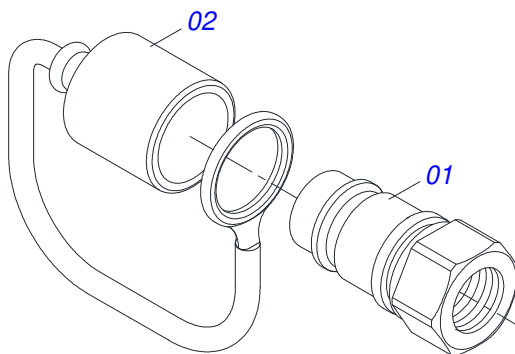
Item	Code	Description	See page	QT
14	0511045103	CENTER BODY ASSY		01
14A	0503010465	BODY CENTRAL 1/2"		01
14B	0501010590	NIPPLE		02
14C	0503010045	O'RING		02
14D	0503030387	PLUG		02
14E	0503030347	UPPER LEVER ASSY (SAUER DANFOSS)		01
14F	0521010533	0.3" X 1" COUPLING SHAFT		01



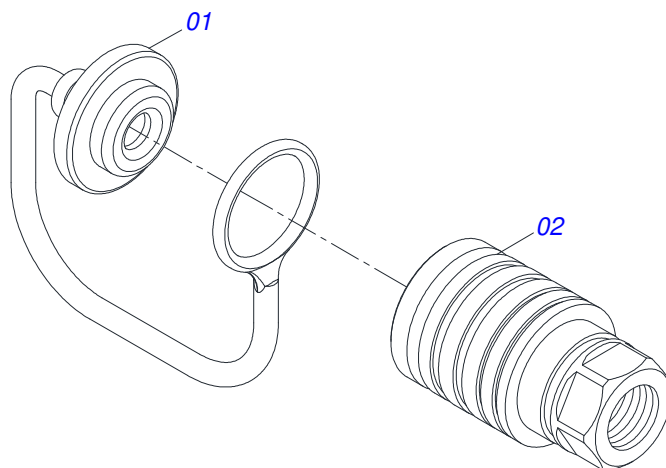
Item	Code	Description	See page	QT
01	0622360007	1700 SCRAPER BUCKET		01
02	0503012956	1/2" X 1-1/2" BOLT		08
03	0511017302	FLAT WASHER		08
04	0503011440	SPRING WASHER		08
05	0503012682	1/2" BSW NUT		08
06	0622360009	SCRAPER FRAME RIGHT		01
07	0622360010	SCRAPER FRAME LEFT		01
08	0503012956	1/2" X 1-1/2" BOLT		04
09	0511017302	FLAT WASHER		04
10	0503011440	SPRING WASHER		04
11	0503012682	1/2" BSW NUT		04
12	0501063396	1700 PAH 1700 BUCKET		01



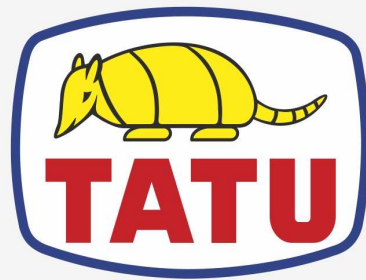
Item	Code	Description	See page	QT
001	0501063129	85,7 X 377 CYLINDER CASE		01
002	0501068962	HYDRAULIC CYLINDER TURNBUCKLE		01
003	0503010002	1800 GREASE FITTING		02
004	0503030385	CYLINDER PLUG N-002		02
005	0503010042	2-214 N 3006-9B O'RING		01
006	0503010063	1" SELF-ALIGNING NUT		01
007	0571019710	1.7" X 3.4" PISTON		01
008	0503017935	RING		01
009	0503018144	RING		01
010	0571019711	RING SUPPORT		01
011	0503010761	D-1750 SCRAPER RING		01
012	0571019709	DETACHABLE COVER		01
013	0503017936	RING		01
014	0503017938	RING GUIDE		01
015	0503017937	GASKET		01
016	0503017940	8-337 BACK-UP RING		02
017	0503017939	2-337 N 3006-9B O' RING		02



Item	Code	Description	See page	QT
01	0503011627	MALE QUICK COUPLER AGR 1/2 NPT		01
02	0503011882	MALE QUICK COUPLER CAP		01



Item	Code	Description	See page	QT
01	0503011883	QUICK CONNECTION COVER		01
02	0503011628	FEMALE QUICK COUPLER		01



MARCHESAN

Technical Publications | Elaboration and Revision

ALESSANDRA PATRICIA KAWAHARA CARRILI

www.marchesan.com.br

