

**PD - FRONT LOADER**

## **PD VTR BM 110/125I-4 BT SC GAL**

**Code:** 0501092994

**Series:** S-0907

**Revision:** 00

**Date Revision:** JULHO/2021

# **PARTS CATALOGUE**



**MARCHESAN**



# PRODUCTS

Code	Description
0106020387	PD VTR BM 110/125I-4 BT SC GAL

## ATTENTION: IMPORTANT

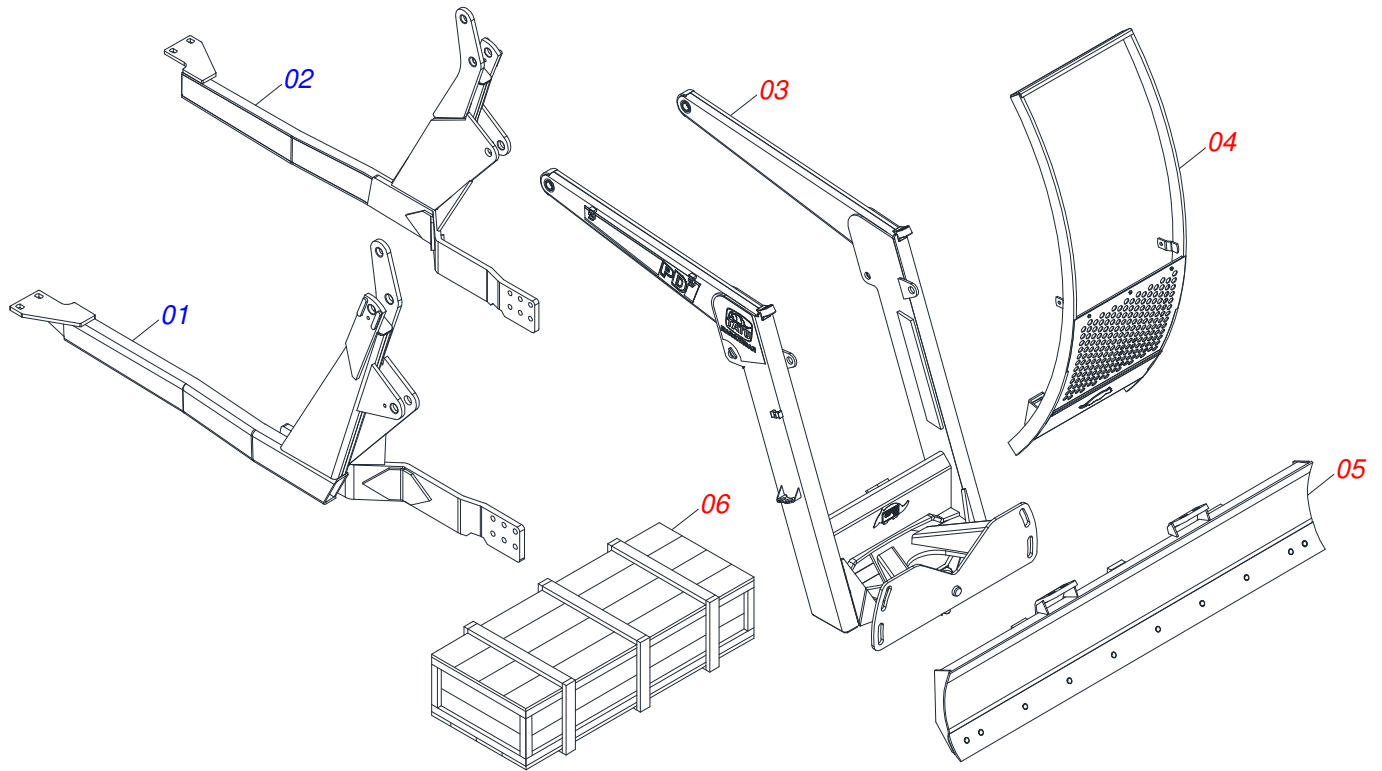
Marchesan S.A. reserves the right to improve and / or modify the technical features of its products, without obligation to do the same with those products already sold and without prior knowledge of the dealer or the consumer.



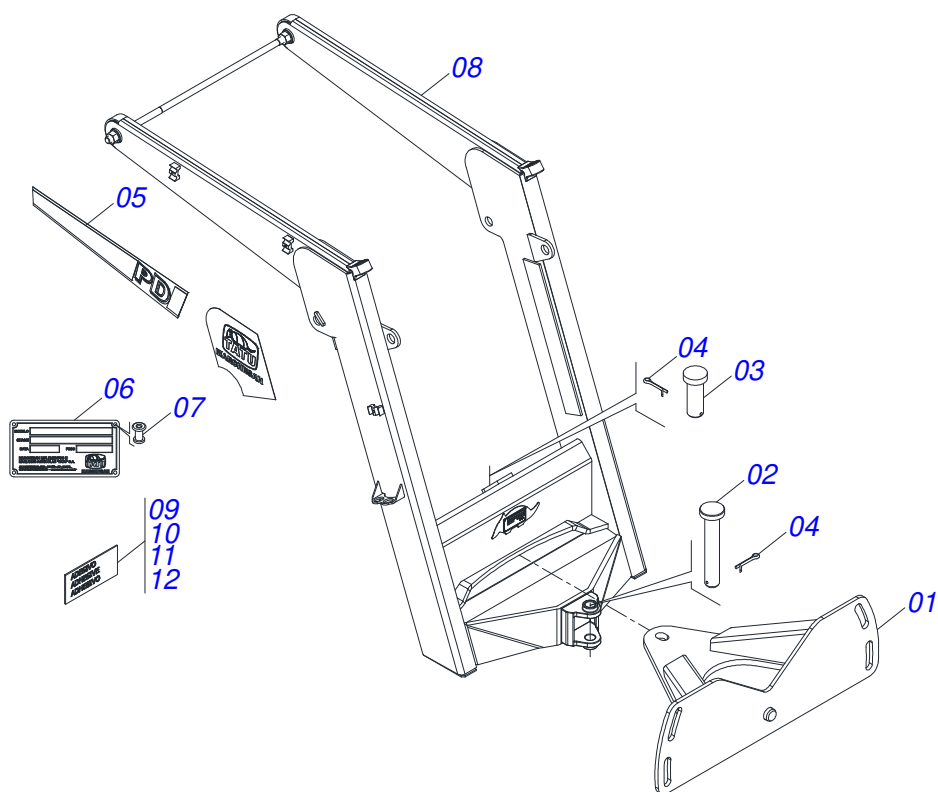
**MARCHESAN**

# INDEX

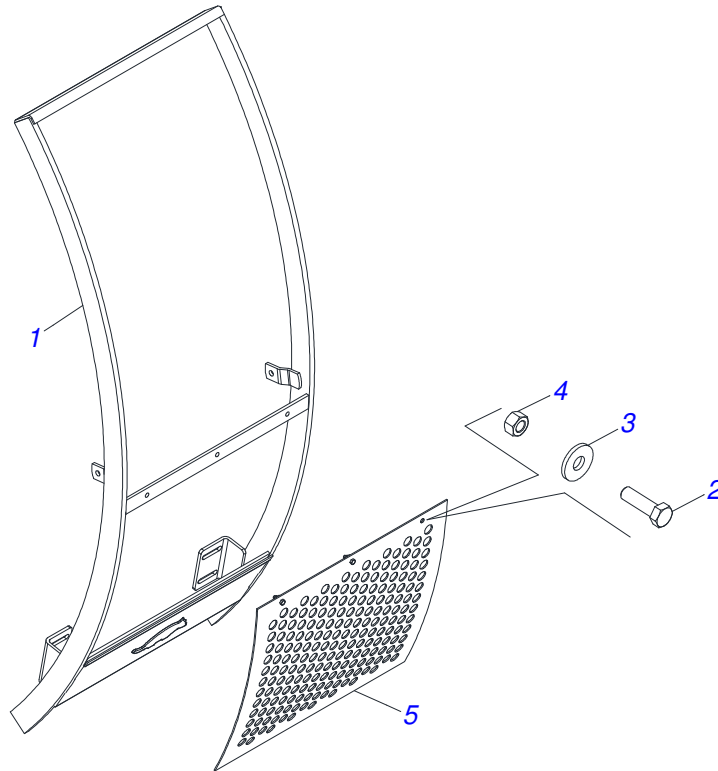
0106020387	PD VTR BM 110/125I-4 BT SC GAL	.....	1
0511046192	MOBILE SUPPORT GUIDE ASSY	.....	2
0501049367	ASSY HIGH MOBILE SUPPORT GUIDE	.....	3
0501047708	2400 BLADE SUPPORT	.....	4
0511026197	COMPONENTS BOX	.....	5
0511046385	50,8 X 101,6 X 1150 HYDRAULIC CYLINDER	.....	6
0511046386	50,8 X 101,6 HYDRAULIC CYLINDER	.....	7
0501043212	ROD 1.1/4" NC X 3.818" ASSY	.....	8
0501049588	1.1/4 NC X 1640 ROD	.....	9
0909095892	HYDRAULIC CIRCUIT	.....	10
0501038567	PACKAGED PARTS	.....	11
0501053834	MALE QUICK COUPLER WITH CAP - 1/2 NPT	.....	12



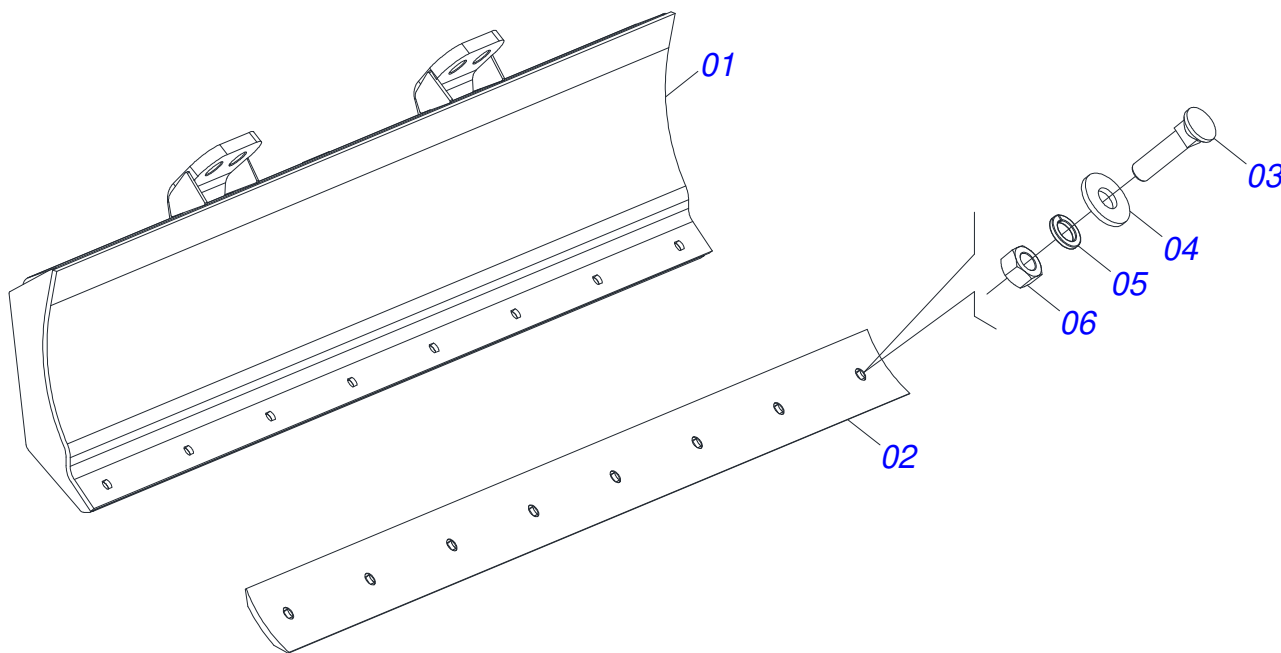
Item	Code	Description	See page	QT
001	0511069254	RIGHT FRAME		01
002	0511069255	LEFT FRAME		01
003	0511046192	MOBILE SUPPORT GUIDE ASSY	2	01
004	0501049367	ASSY HIGH MOBILE SUPPORT GUIDE	3	01
005	0501047708	2400 BLADE SUPPORT	4	01
006	0511026197	COMPONENTS BOX	5	01



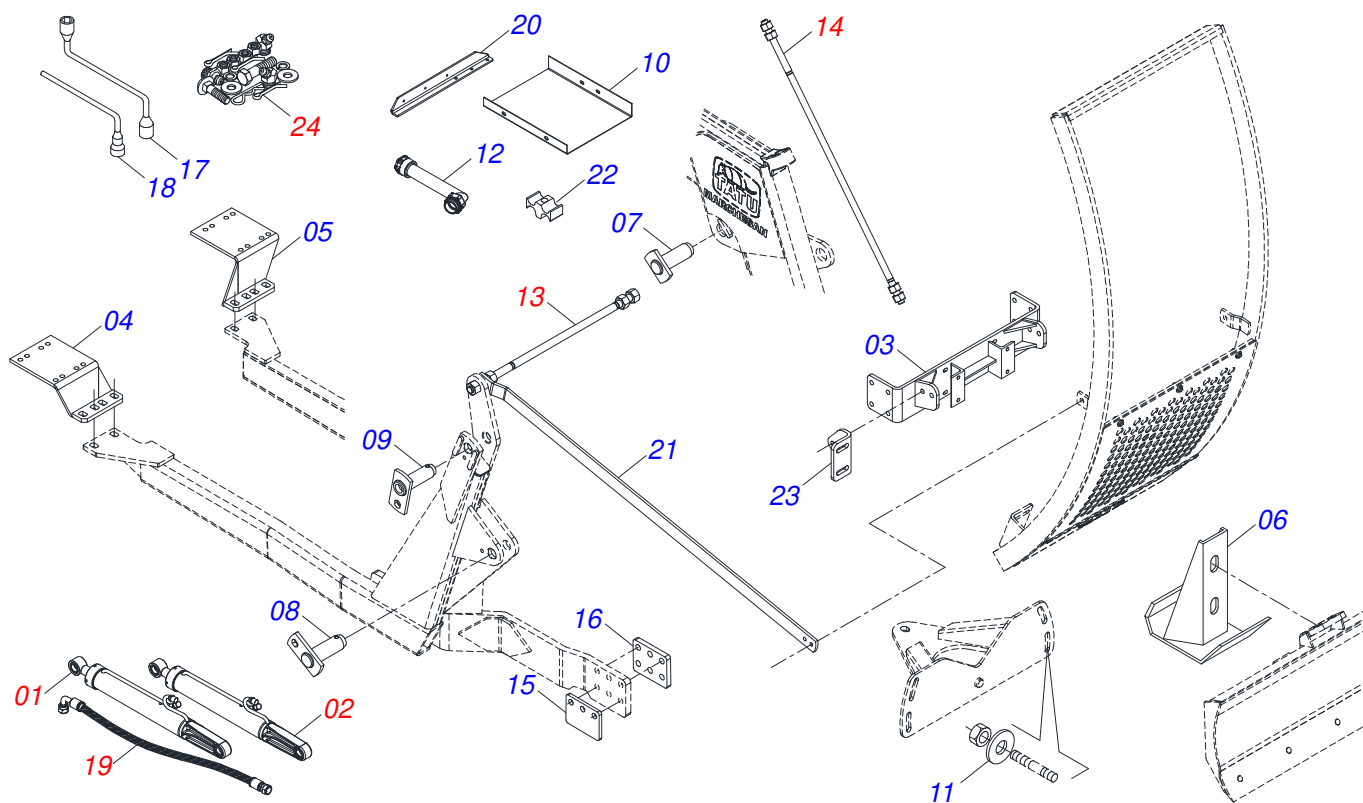
Item	Code	Description	See page	QT
01	0501062637	5/8" REGULATOR SUPPORT		01
02	0521010618	1.4" X 8.6" COUPLING SHAFT		01
03	0521010612	1.4" X 3.5" COUPLING SHAFT		01
04	0503010010	1/4" X 2.1/2" COTTERPIN		02
05	0503062270	SET LABEL ADHESIVE		01
06	0503034003	SERIAL NUMBER TAG 61 X 118		01
07	0503010001	3.2 X 5.5 RIVET		04
08	0521063345	MOBILE SUPPORT		01
09	0503031428	READ MANUAL DECAL		01
10	0503031827	LUBRICATE AND RETIGHTEN DAILY DECAL		01
11	0503034078	LIFTING POINTS DECAL		03
12	0503031087	ADHESIVE LABEL		01



Item	Code	Description	See page	QT
01	0511061956	MOBILE SUPPORT GUIDE ASSY		01
02	0503010751	C3/8" X 1.1/4" HEX BOLT G.5		03
03	0501010984	FLAT WASHER		03
04	0503010026	3/8" NUT		03
05	0501014687	FRONT PROTECTION		01

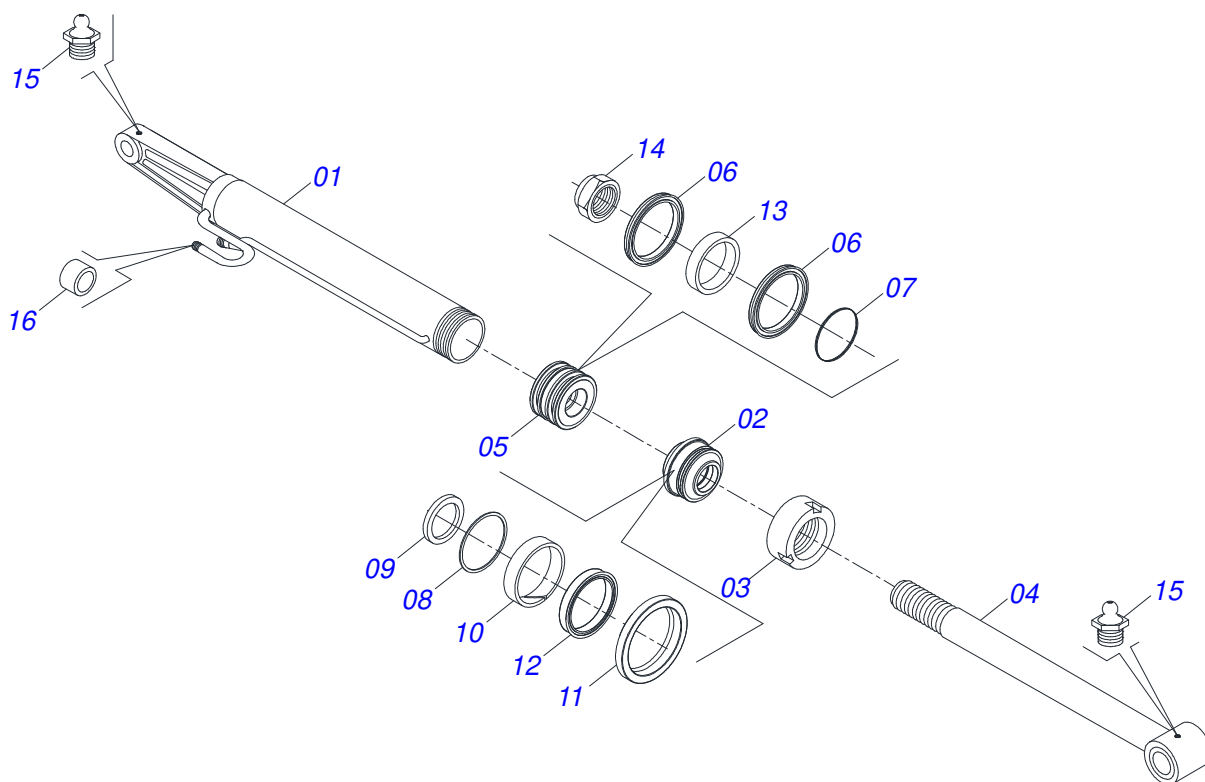


Item	Code	Description	See page	QT
01	0501067999	2390 BLADE SUPPORT		01
02	0622360016	94.5" SCRAPER REVERSIBLE		01
03	0501012240	BOLT		08
04	0501012140	FLAT WASHER		08
05	0503011445	SPRING WASHER		08
06	0503010013	5/8" NUT		08

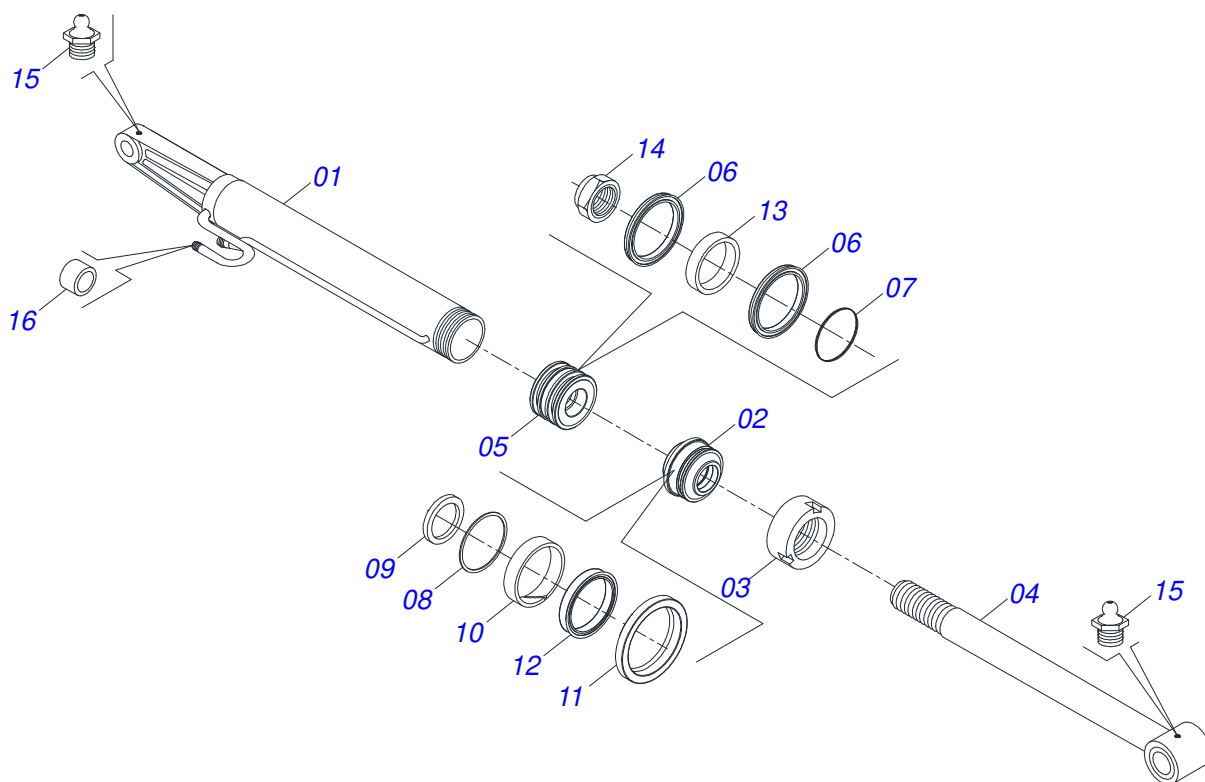


Item	Code	Description	See page	QT
01	0511046385	50,8 X 101,6 X 1150 HYDRAULIC CYLINDER	6	01
02	0511046386	50,8 X 101,6 HYDRAULIC CYLINDER	7	01
03	0511069316	FRONTAL SUPPORT		01
04	0501063145	RH FRAME BRACKET		01
05	0501063146	LH FRAME BRACKET		01
06	0501063411	ESTABILIZER BRACKET		02
07	0521063355	COUPLING SHAFT		02
08	0501063959	PIVOT SHAFT		02
09	0501063751	1.5" X 5.5" PIVOT SHAFT		02
10	0531013185	SUPPORT HOSE PROTECTION		01
11	0501010574	FLAT WASHER		04
12	0501057990	TANK MOUTH EXTENSION		01
13	0501043212	ROD 1.1/4" NC X 3.818" ASSY	8	01
14	0501049588	1.1/4 NC X 1640 ROD	9	02
15	0531016041	BEATER		02
16	0591018792	FRAME COMPLEMENT		02
17	0501068213	5/8" WRENCH DOUBLE		01
18	0501061617	1" GANG BOLT WRENCH		01
19	0909095892	HYDRAULIC CIRCUIT	10	01
20	0561019292	SUPPORT FIXER BOX OF TOOLS		01
21	0541019767	FRENCH HAND		02
22	0502012702	BODY SUPPORT CLAMP		03
23	0571014003	FASTENING BRACKET OF THE HIGH GUIDE		02
24	0501038567	PACKAGED PARTS	11	01

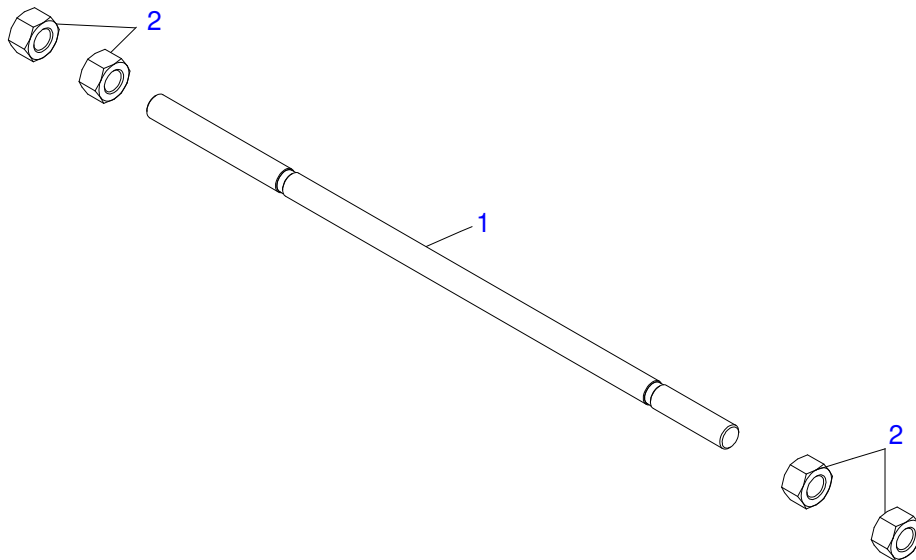




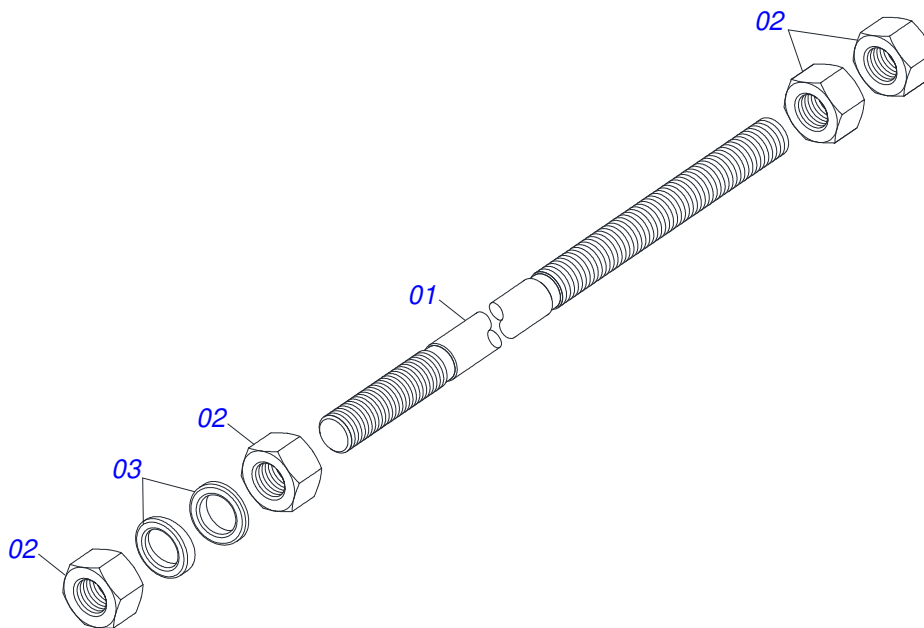
Item	Code	Description	See page
01	0511069250	RH 101,60 X 558 CYLINDER CASE	01
02	0502010778	2" X 4.2" RING SUPPORT	01
03	0502010017	4" HEAD	01
04	0511068874	TURNBUCKLE	01
05	0502010992	2.0" X 4.0" PISTON	01
06	0503010043	PACKING 3750-3250	02
07	0503010345	2-218 N 3006-9B O'RING	01
08	0503011061	8-342 BACK-UP RING	01
09	0503010338	2-342 N 3006-9B O'RING	01
10	0503010952	W2-2250-500 RING	01
11	0503010039	D-2000 SCRAPER RING	01
12	0503010991	1870-2000-375-B GASKET	01
13	0503010994	W2-4000-500 PK RING G.E	01
14	0503010817	1.1/4" SELF LOCKING NUT	01
15	0503010002	1800 GREASE FITTING	02
16	0503030387	PLUG	02
17	0501031799	HYDRAULIC CYLINDER REPAIR KIT	01



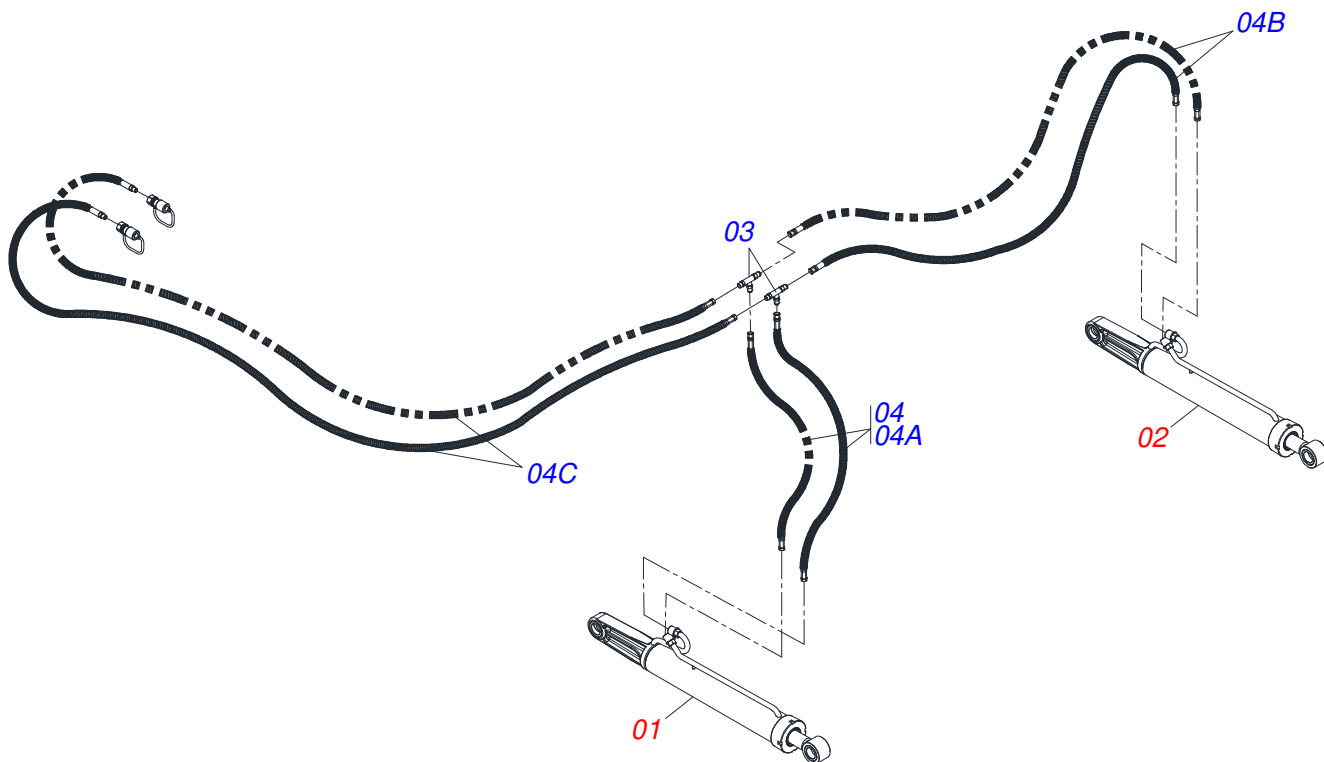
Item	Code	Description	See page
01	0511069251	CYLINDER CASE	01
02	0502010778	2" X 4.2" RING SUPPORT	01
03	0502010017	4" HEAD	01
04	0511069252	50,80 X 771,50 TURNBUCKLE	01
05	0502010992	2.0" X 4.0" PISTON	01
06	0503010043	PACKING 3750-3250	02
07	0503010345	2-218 N 3006-9B O'RING	01
08	0503011061	8-342 BACK-UP RING	01
09	0503010338	2-342 N 3006-9B O'RING	01
10	0503010952	W2-2250-500 RING	01
11	0503010039	D-2000 SCRAPER RING	01
12	0503010991	1870-2000-375-B GASKET	01
13	0503010994	W2-4000-500 PK RING G.E	01
14	0503010817	1.1/4" SELF LOCKING NUT	01
15	0503010002	1800 GREASE FITTING	02
16	0503030387	PLUG	02
17	0501031799	HYDRAULIC CYLINDER REPAIR KIT	01



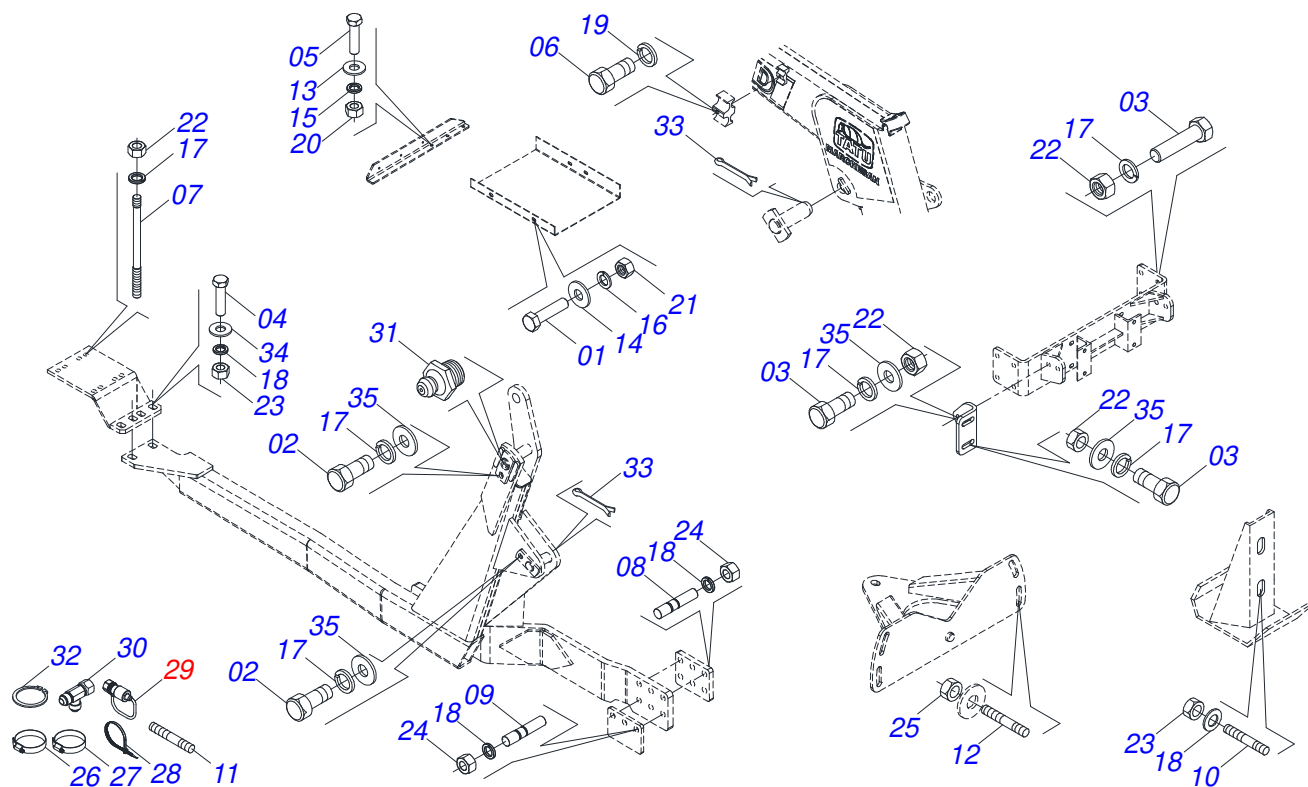
Item	Code	Description	See page	QT
001	0501014915	ROD 1.1/4" NC X 3.818"		01
002	0501010087	1.1/4" NUT		04



Item	Code	Description	See page	QT
01	0521018624	1.1/4 X 1640 ROD		01
02	0501010087	1.1/4" NUT		04
03	0502012180	CONICAL SPRING WASHER		02



Item	Code	Description	See page	QT
01	0511046385	50,8 X 101,6 X 1150 HYDRAULIC CYLINDER	6	01
02	0511046386	50,8 X 101,6 HYDRAULIC CYLINDER	7	01
03	0503013493	T CONNECTION MALE		01
04	0501053431	HOSE KIT		01
04A	0501080014	HOSE		02
04B	0501080322	1/2 X 1850 HOSE		02
04C	0501080246	TR-TM HOSE ASSY		02



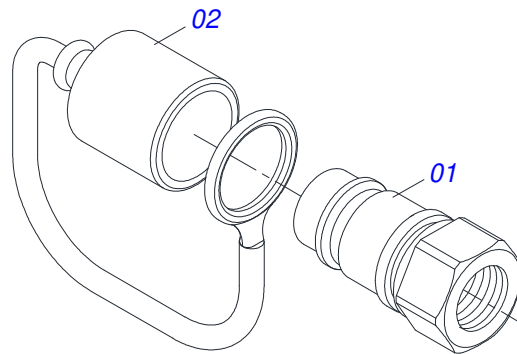
Item	Code	Description	See page	QT
01	0501010080	3/8" BOLT		04
02	0503010962	5/8" X 1-1/4" BOLT		06
03	0501010100	SCREW 5/8 UNC X 2 CS G.5 ZN		18
04	0501010500	3/4"X3"BOLT		04
05	0503010461	1/4" X 1" BOLT		03
06	0503012555	SCREW 7/16 UNC X 2 CS RT G.7 ZN		03
07	0501011426	5/8" X 5/8" X 9.45" STUD		08
08	0511014680	3/4" UNF X 85 STUD		06
09	0501010603	3/4" X 3.74" STUD		06
10	0561016756	3/4 UNC X 3/4 UNC X 56 PRISONER		04
11	0511014160	3/4" X 4.52" STUD		12
12	0561016755	PRISONER 1 UNC X 1 UNC X 76 ZN		04
13	0511017303	FLAT WASHER		03
14	0501010984	FLAT WASHER		08
15	0503010143	1/4" SPRING WASHER		03
16	0503010025	3/8" SPRING WASHER		04
17	0503010027	5/8" SPRING WASHER		32
18	0503010023	3/4" SPRING WASHER		16
19	0503010180	7/16" SPRING WASHER		03
20	0503010144	1/4" NUT		03
21	0503010026	3/8" NUT		04
22	0503010013	5/8" NUT		34
23	0503010014	3/4" NUT		08
24	0503010335	3/4"NUT		12
25	0501010059	1.5/8 NUT		04
26	0503010243	CLAMP		01
27	0503010246	CLAMP		02
28	0503013100	NYLON CLAMP		04
29	0501053834	MALE QUICK COUPLER WITH CAP - 1/2 NPT	12	02
30	0503013493	T CONNECTION MALE		02
31	0503010002	1800 GREASE FITTING		06



PACKAGED PARTS

0501038567

Item	Code	Description	See page	QT
32	0503010217	501040 CLAMPING RING (FOR AXLE)		04
33	0503010534	3/8 X 2-1/2 COTTERPIN		02
34	0501010322	FLAT WASHER		12
35	0501012140	FLAT WASHER		14



Item	Code	Description	See page	QT
01	0503011627	MALE QUICK COUPLER AGR 1/2 NPT		01
02	0503011882	MALE QUICK COUPLER CAP		01







**MARCHESAN**

**Technical Publications | Elaboration and Revision**

MARINA PEREZ NIZA

[www.marchesan.com.br](http://www.marchesan.com.br)

