

PD - FRONT LOADER

PD VALTRA A800R/A850R/A950R/A990R BT SC

Code: 0501092992
Series: S-1219
Revision: 00
Date Revision: FEVEREIRO/2022

PARTS CATALOGUE



MARCHESAN



PRODUCTS

Code	Description
0106020072	PD VTR A800R/A850R/A950R/A990R BT SC

ATTENTION: IMPORTANT

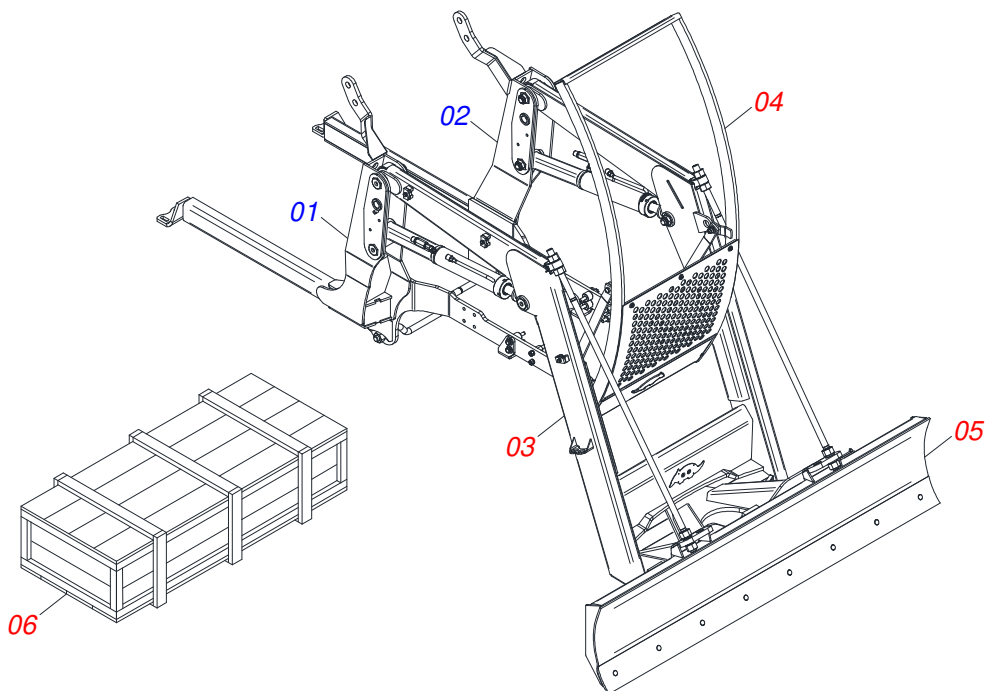
Marchesan S.A. reserves the right to improve and/or modify the technical features of its products, without obligation to do the same with those products already sold and without prior knowledge of the dealer or the consumer. The photos are only illustrative.



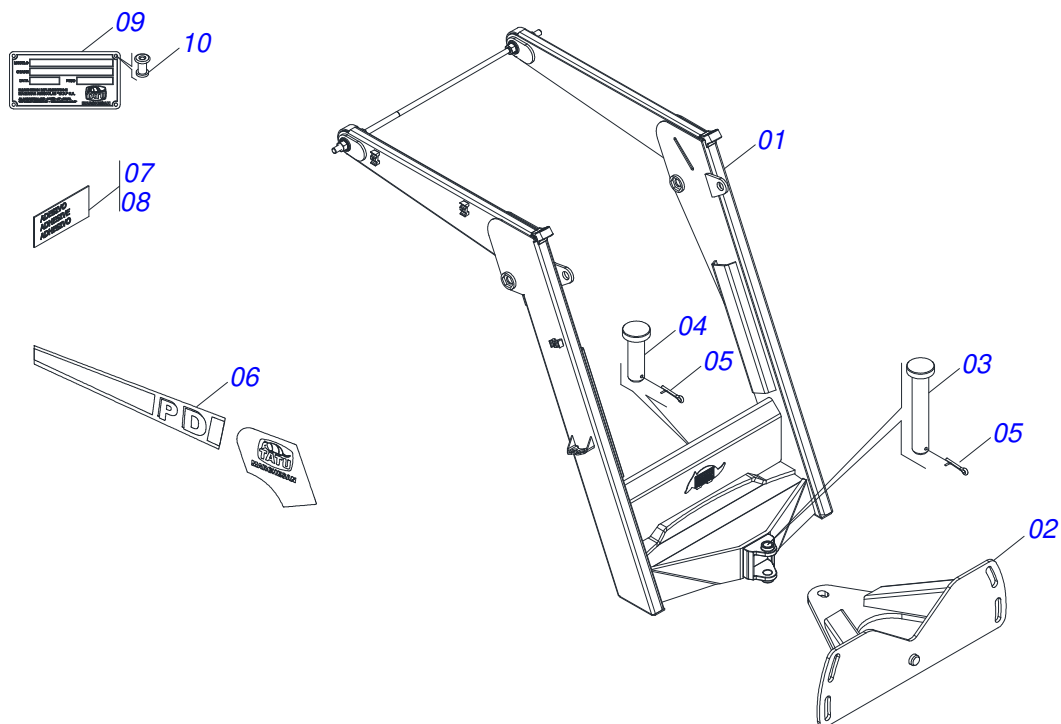
MARCHESAN

INDEX

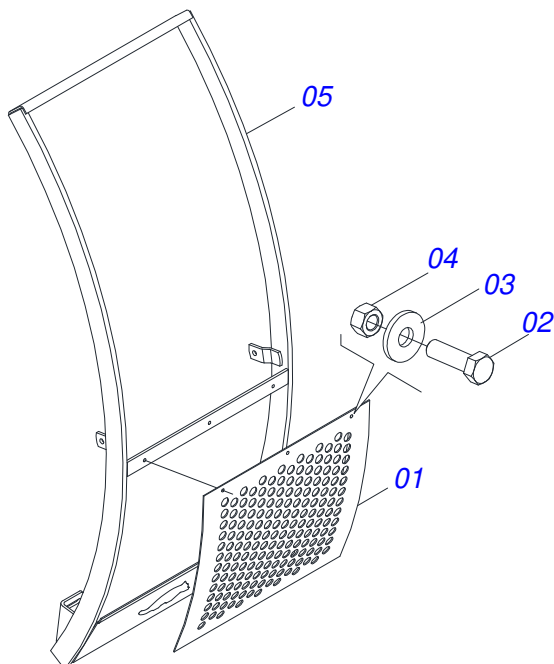
0106020072	PD VTR A800R/A850R/A950R/A990R BT SC	1
0521049957	MOBILE SUPPORT ASSY	2
0501048330	MOBILE SUPPORT GUIDE ASSY	3
0511047750	2400 SCRAPER ASSY WITH STABILIZER BRACKET	4
0521026075	COMPONENT WITH BOX	5
0521047923	ROD	6
0511043351	1.1/4" X 40" ROD	7
0501047774	1.1/4" X 33.46" ROD	8
0511033745	PECAS EMBALADAS	9
0501053835	FEMALE QUICK COUPLER	10
0501053834	MALE QUICK COUPLER	11
0909096145	HYDRAULIC CIRCUIT	12
0521049955	HIDRAULIC CYLINDER	13
0521049956	HIDRAULIC CYLINDER	14
0511057771	R.7/8UNF - SAFETY VALVE	15



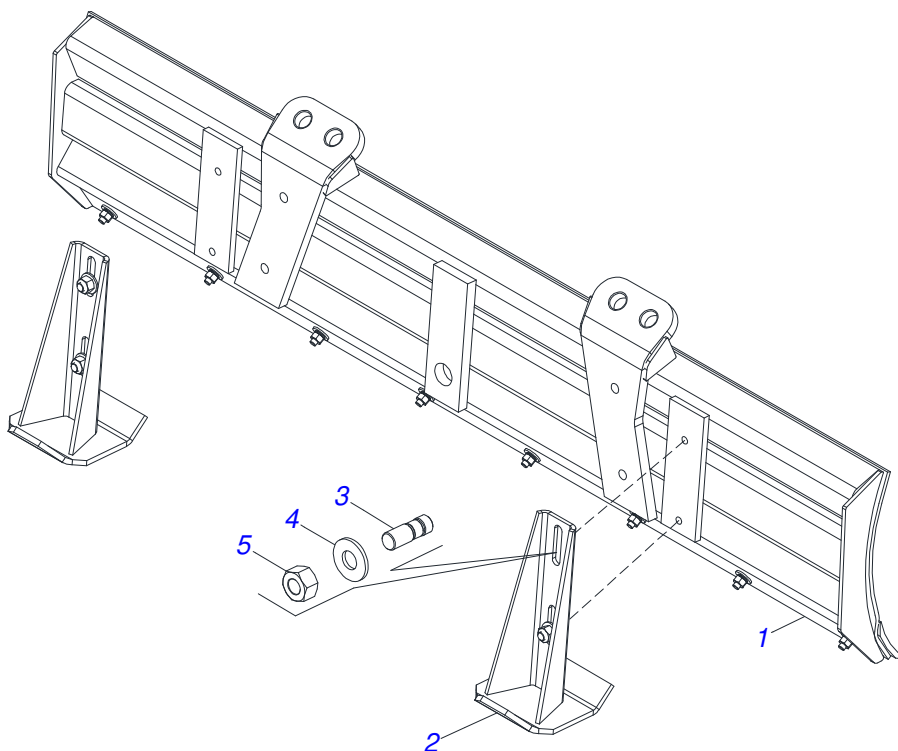
Item	Code	Description	See page	QT
01	0531060740	RIGHT FRAME		01
02	0531060730	LEFT FRAME		01
03	0521049957	MOBILE SUPPORT ASSY	2	01
04	0501048330	MOBILE SUPPORT GUIDE ASSY	3	01
05	0511047750	2400 SCRAPER ASSY WITH STABILIZER BRACKET	4	01
06	0521026075	COMPONENT WITH BOX	5	01



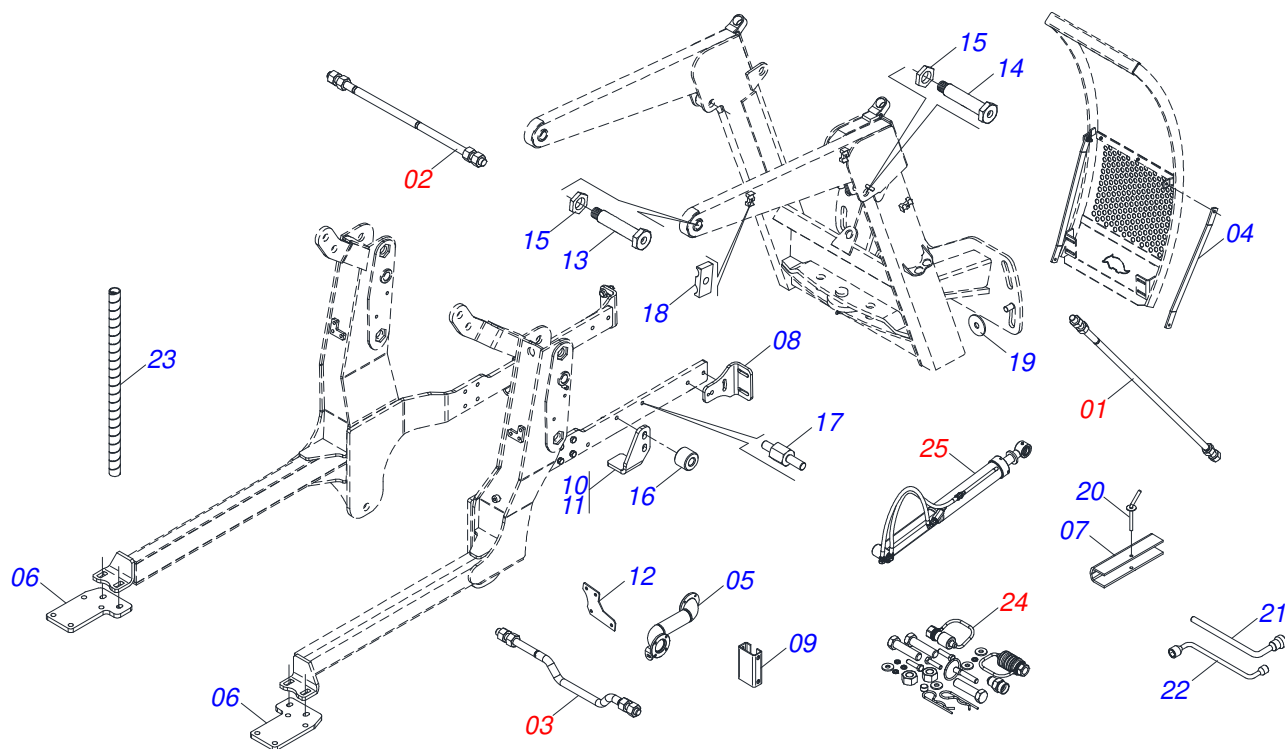
Item	Code	Description	See page	QT
01	0531060773	MOBILE SUPPORT		01
02	0501062637	5/8" REGULATOR SUPPORT		01
03	0521010618	1.4" X 8.6" COUPLING SHAFT		01
04	0521010612	1.4" X 3.5" COUPLING SHAFT		01
05	0503010010	1/4" X 2.1/2" COTTERPIN		02
06	0503062270	SET LABEL ADHESIVE		01
07	0503034078	LIFTING POINTS DECAL		01
08	0503031087	ADHESIVE LABEL		01
09	0503034003	SERIAL NUMBER TAG 61 X 118		01
10	0503010001	3.2 X 5.5 RIVET		04



Item	Code	Description	See page	QT
01	0501014686	FRONT PROTECTION		01
02	0503010751	C3/8" X 1.1/4" HEX BOLT G.5		03
03	0501010984	FLAT WASHER		03
04	0503010026	3/8" NUT		03
05	0511061998	MOBILE SUPPORT GUIDE		01

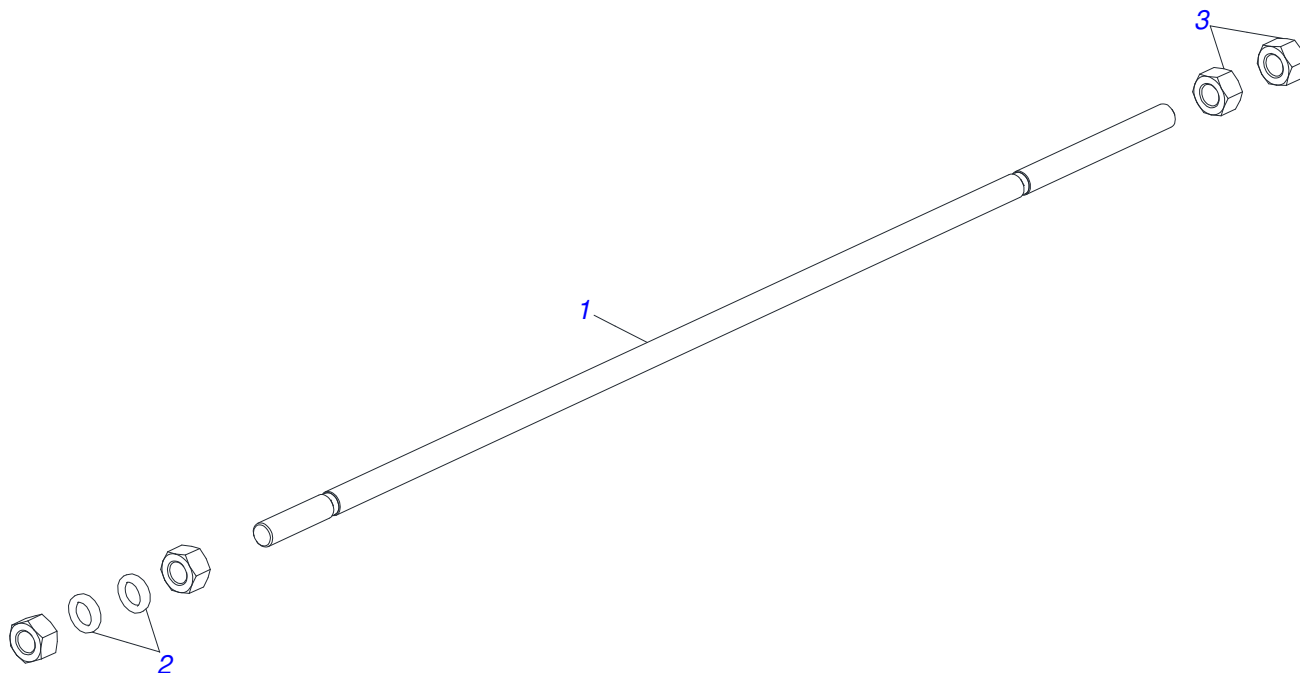


Item	Code	Description	See page	QT
01	0501047708	2400 BLADE SUPPORT		01
02	0501063411	ESTABILIZER BRACKET		02
03	0561016756	3/4 UNC X 3/4 UNC X 56 PRISONER		04
04	0501010322	FLAT WASHER		04
05	0503010014	3/4" NUT		04

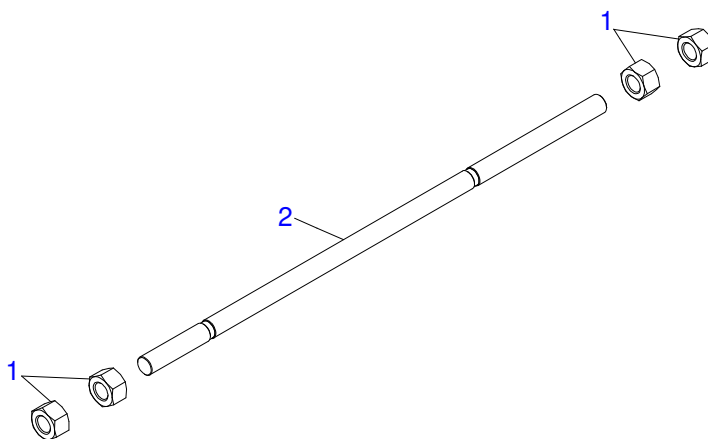


Item	Code	Description	See page	QT
01	0521047923	ROD	6	02
02	0511043351	1.1/4" X 40" ROD	7	01
03	0501047774	1.1/4" X 33.46" ROD	8	01
04	0581016771	FRENCH HAND		02
05	0531061233	PROTRACTOR EXHAUST		01
06	0591013410	FIXING BASE		02
07	0531017238	LOCK TRANSPORT		02
08	0571010158	FIXER GUIDE MOBILE SUPPORT		02
09	0591013346	SPACER		02
10	0591013343	LEFT BEATER		01
11	0591013344	RIGHT BEATER		01
12	0591013347	FIXING BASE		01
13	0581013410	1.1/4" UNF X 155 BOLT		04
14	0581013378	GREASE SCREW		02
15	0581010243	WASHER HEX		06
16	0561017343	SLEEVE		12
17	0591013345	STUD		04
18	1902010477	UPPER CLAMP BODY		03
19	0501010574	FLAT WASHER		04
20	0501068994	8,30 X 78 LOCK PIN		02
21	0501061617	1" GANG BOLT WRENCH		01
22	0501068213	5/8" WRENCH DOUBLE		01
23	0581010090	SPRING PROTECTION PLASTIC HOSE		02
24	0511033745	PECAS EMBALADAS	9	01
25	0909096145	HYDRAULIC CIRCUIT	12	01

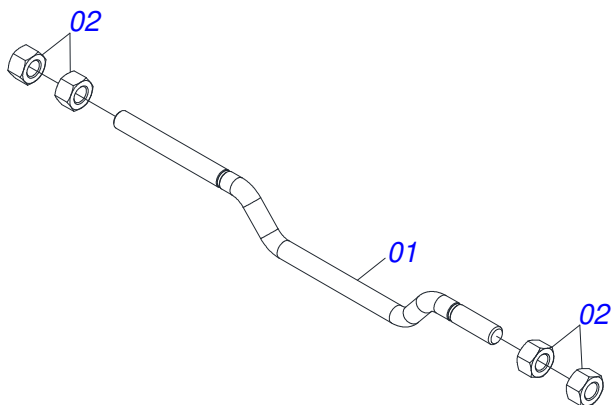
ROD



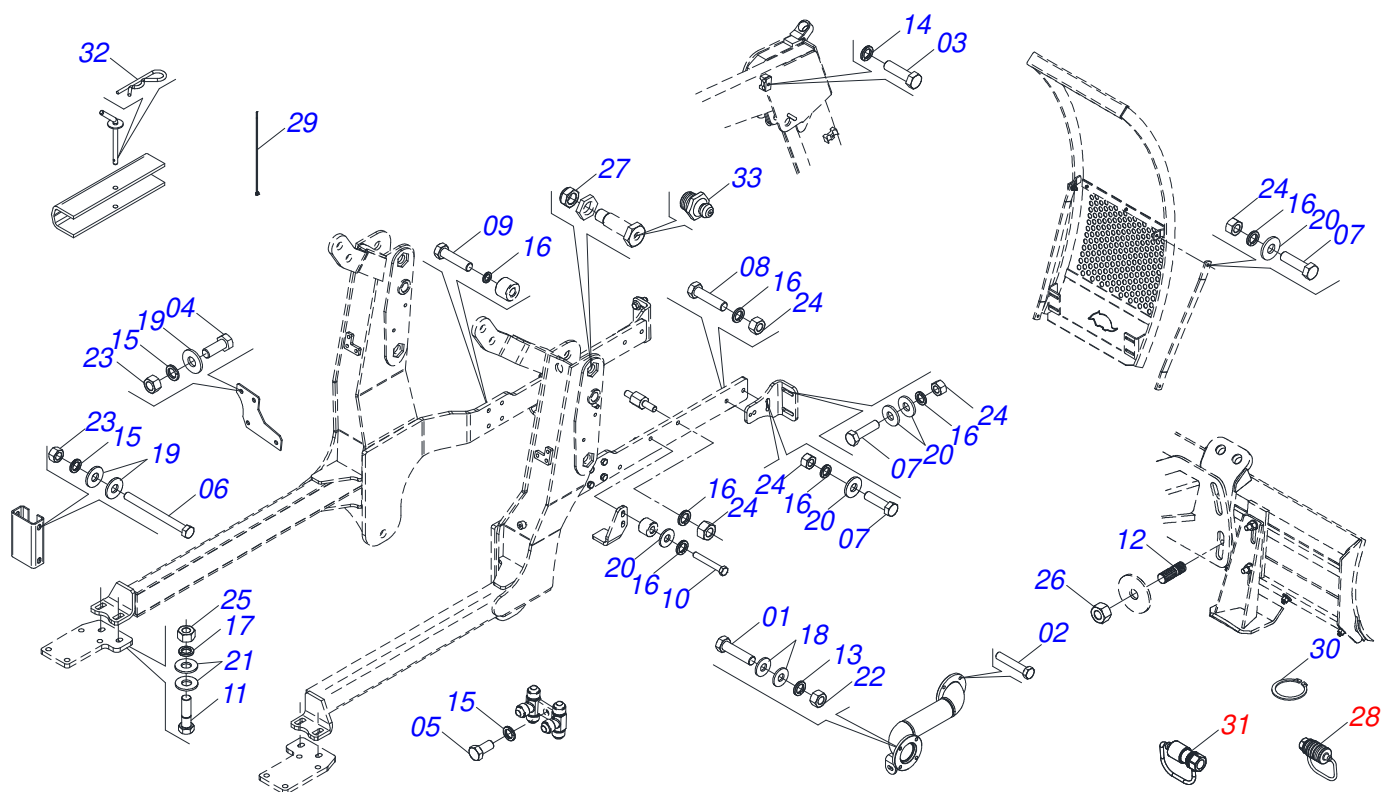
Item	Code	Description	See page	QT
01	0581016637	ROD		01
02	0502012180	CONICAL SPRING WASHER		02
03	0501010087	1.1/4" NUT		04



Item	Code	Description	See page	QT
01	0501010087	1.1/4" NUT		04
02	0541015018	ROD 1.1/4 NC X 1000		01



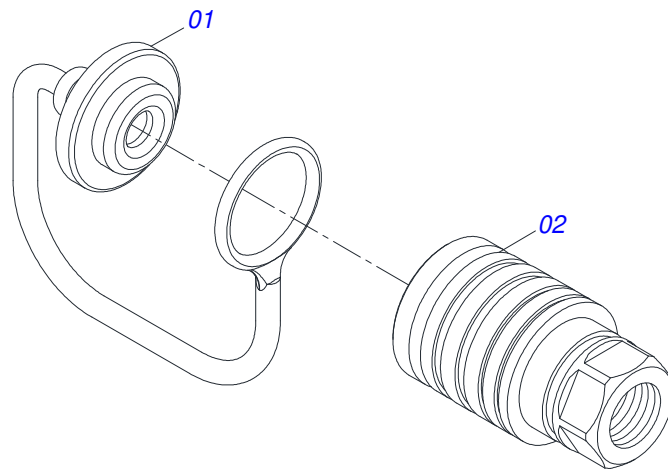
Item	Code	Description	See page	QT
01	0521010387	1.1/4" X 33.46" ROD CURVED		01
02	0501010087	1.1/4" NUT		04



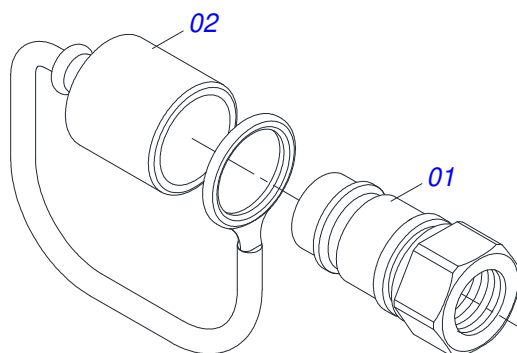
Item	Code	Description	See page	QT
01	0503010421	5/16" X 1-1/2" BOLT		04
02	0503015114	BOLT		04
03	0503011135	BOLT		03
04	0501010161	1/2" X 1.1/4" BOLT		02
05	0503010834	1/2 X 1 BOLT		01
06	0503011411	1/2" X 5-1/2" BOLT		04
07	0503010899	5/8" X 2-1/4" BOLT		08
08	0503010233	5/8" X 2-1/2" BOLT		02
09	0503012833	M16 X 2 X 90 BOLT		08
10	0503014594	BOLT		04
11	0501010827	3/4" X 2-3/4" BOLT		04
12	0561016755	PRISONER 1 UNC X 1 UNC X 76 ZN		04
13	0503010179	LOCK WASHER		04
14	0503010180	7/16" SPRING WASHER		03
15	0503010019	1/2" SPRING WASHER		07
16	0503010027	5/8" SPRING WASHER		26
17	0503010023	3/4" SPRING WASHER		04
18	0501010694	FLAT WASHER		08
19	0511017302	FLAT WASHER		10
20	0501012140	FLAT WASHER		20
21	0501010322	FLAT WASHER		08
22	0503010337	5/16" NUT		04
23	0503010028	1/2" NUT		06
24	0503010013	5/8" NUT		14
25	0503010014	3/4" NUT		04
26	0501010059	1.5/8 NUT		04
27	0503010044	1-1/4" SELF LOCKING NUT		06
28	0501053835	FEMALE QUICK COUPLER	10	02
29	0503013527	CLAMP ZIPER		10
30	0503010217	501040 CLAMPING RING (FOR AXLE)		04
31	0501053834	MALE QUICK COUPLER	11	04



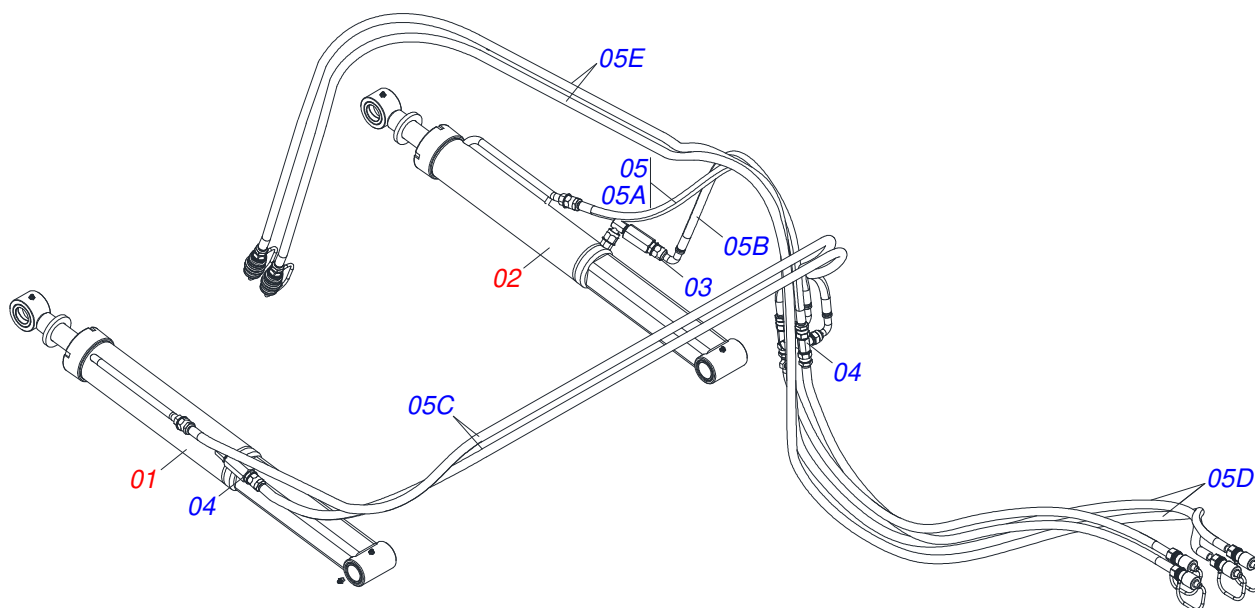
Item	Code	Description	See page	QT
32	0503030168	HITCH PIN CLIP		02
33	0503010002	1800 GREASE FITTING		06



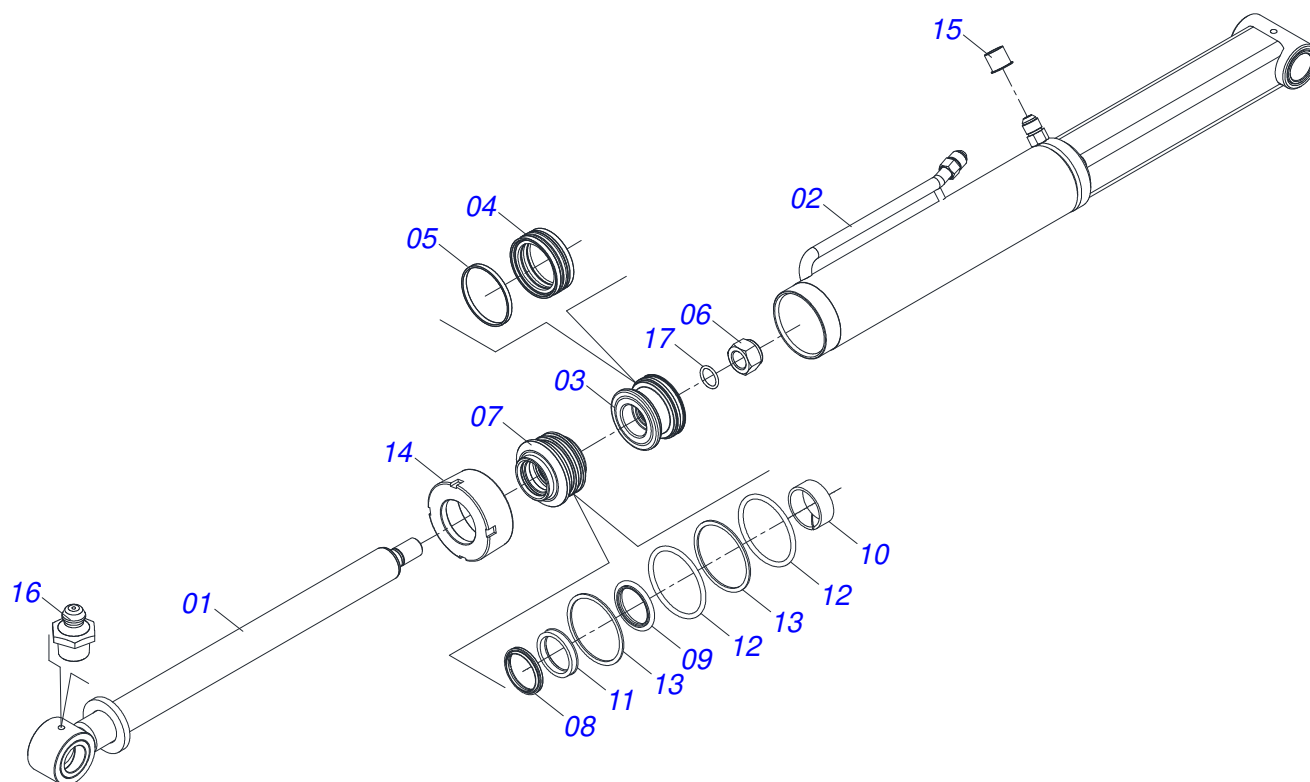
Item	Code	Description	See page	QT
01	0503011883	QUICK CONNECTION COVER		01
02	0503011628	FEMALE QUICK COUPLER		01



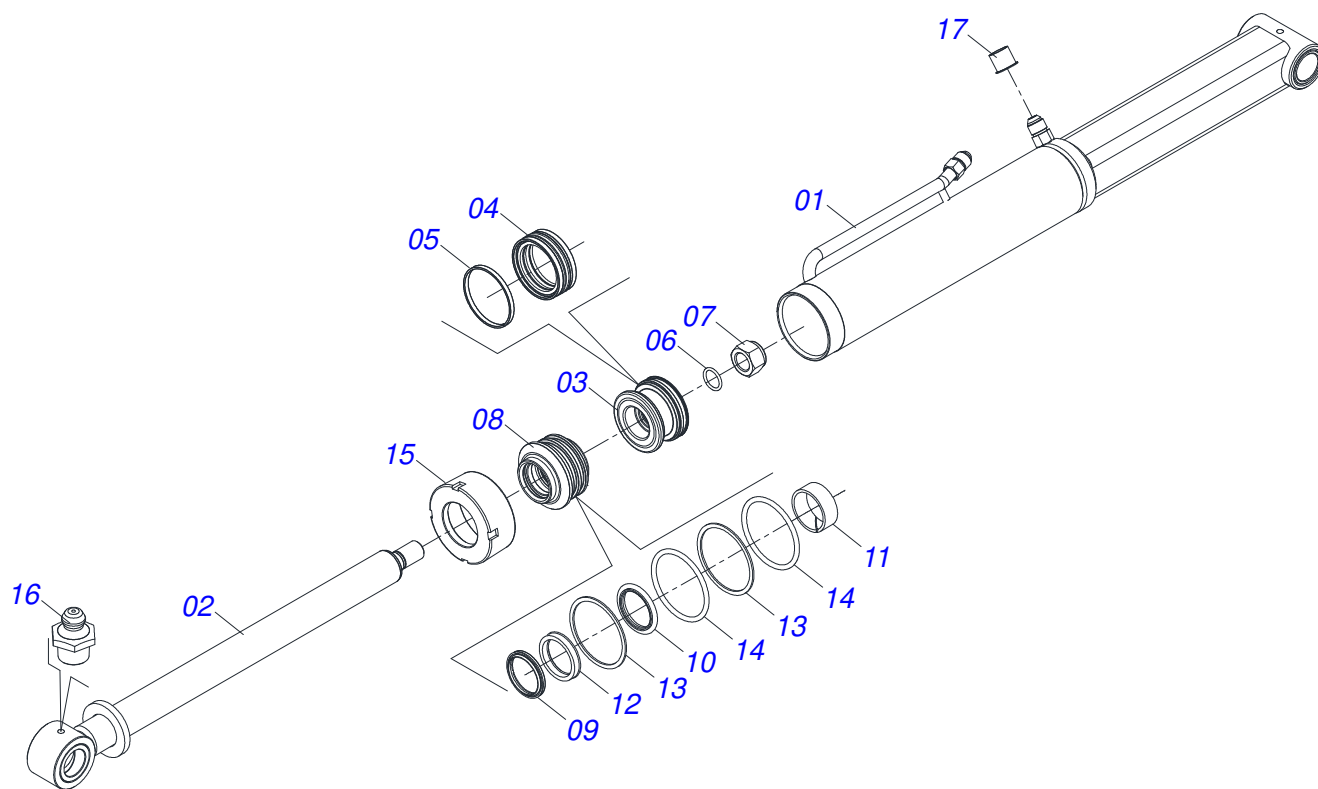
Item	Code	Description	See page	QT
01	0503011627	MALE QUICK COUPLER AGR 1/2 NPT		01
02	0503011882	MALE QUICK COUPLER CAP		01



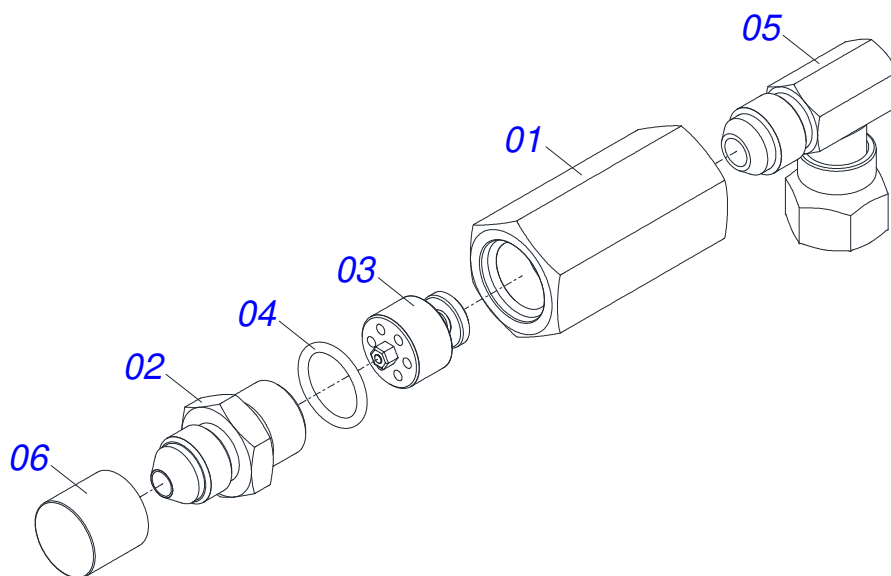
Item	Code	Description	See page	QT
01	0521049955	HIDRAULIC CYLINDER	13	01
02	0521049956	HIDRAULIC CYLINDER	14	01
03	0521064869	7/8UNF JIC OIL DISTRIBUTOR		01
04	0511057771	R.7/8UNF - SAFETY VALVE	15	02
05	0521050822	HOSE KIT		01
05A	0501080825	1/2" X 1100 TR-TC HOSE		01
05B	0501080119	HOSE		01
05C	0501080016	1/2 X 2800 TR-TC HOSE		02
05D	0501080308	1/2 X 2750 TR-TM HOSE		02
05E	0501081929	HOSE 1/2 X 4500 TM-TM		02



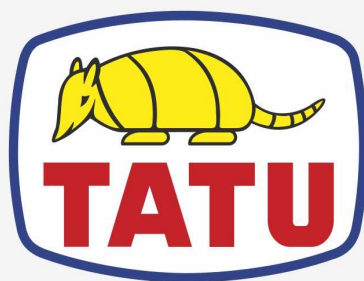
Item	Code	Description	See page	QT
01	0531060777	ROD		01
02	0511071829	CASE BODY		01
03	0571019710	1.7" X 3.4" PISTON		01
04	0503017935	RING		01
05	0503018144	RING		01
06	0503010063	1" SELF-ALIGNING NUT		01
07	0571019711	RING SUPPORT		01
08	0503010761	D-1750 SCRAPER RING		01
09	0503017936	RING		01
10	0503017938	RING GUIDE		01
11	0503017937	GASKET		01
12	0503017939	2-337 N 3006-9B O' RING		02
13	0503017940	8-337 BACK-UP RING		02
14	0571019709	DETACHABLE COVER		01
15	0503030387	PLUG		02
16	0503010002	1800 GREASE FITTING		02
17	0503010042	2-214 N 3006-9B O'RING		01



Item	Code	Description	See page	QT
01	0511071873	CASE BODY		01
02	0531060777	ROD		01
03	0571019710	1.7" X 3.4" PISTON		01
04	0503017935	RING		01
05	0503018144	RING		01
06	0503010042	2-214 N 3006-9B O'RING		01
07	0503010063	1" SELF-ALIGNING NUT		01
08	0571019711	RING SUPPORT		01
09	0503010761	D-1750 SCRAPER RING		01
10	0503017936	RING		01
11	0503017938	RING GUIDE		01
12	0503017937	GASKET		01
13	0503017940	8-337 BACK-UP RING		02
14	0503017939	2-337 N 3006-9B O' RING		02
15	0571019709	DETACHABLE COVER		01
16	0503010002	1800 GREASE FITTING		02
17	0503030387	PLUG		02



Item	Code	Description	See page	QT
01	0503018033	37 X R.7/8 UNF 90° JIC MALE CONNECTOR WITH ROTATING NUT		01
02	0581014053	1/2 BSP X 7/8 UNF JIC X 64 ADAPTER		01
03	0503016854	VALVE ASSY		01
04	0503010045	O'RING		01
05	0581014052	1/2 BSP X 7/8 UNF JIC X 43 NIPLE		01
06	0503030387	PLUG		01



MARCHESAN

Technical Publications | Elaboration and Revision

MARINA PEREZ NIZA

www.marchesan.com.br

