

**PD - FRONT LOADER**

# PD VALTRA BH 144/154/174/180/184/194 - G4/BT/SC/GAL

**Code:** 0501092990  
**Series:** S-0717  
**Revision:** 00  
**Date Revision:** JANEIRO/2023

# PARTS CATALOGUE



**MARCHESAN**



# PRODUCTS

Code	Description
0106020453	PD VTR BH 144A194 G4 BT SC GAL
0106020455	PD VTR BH 144A194 G4 BT SC SL GAL S-0717

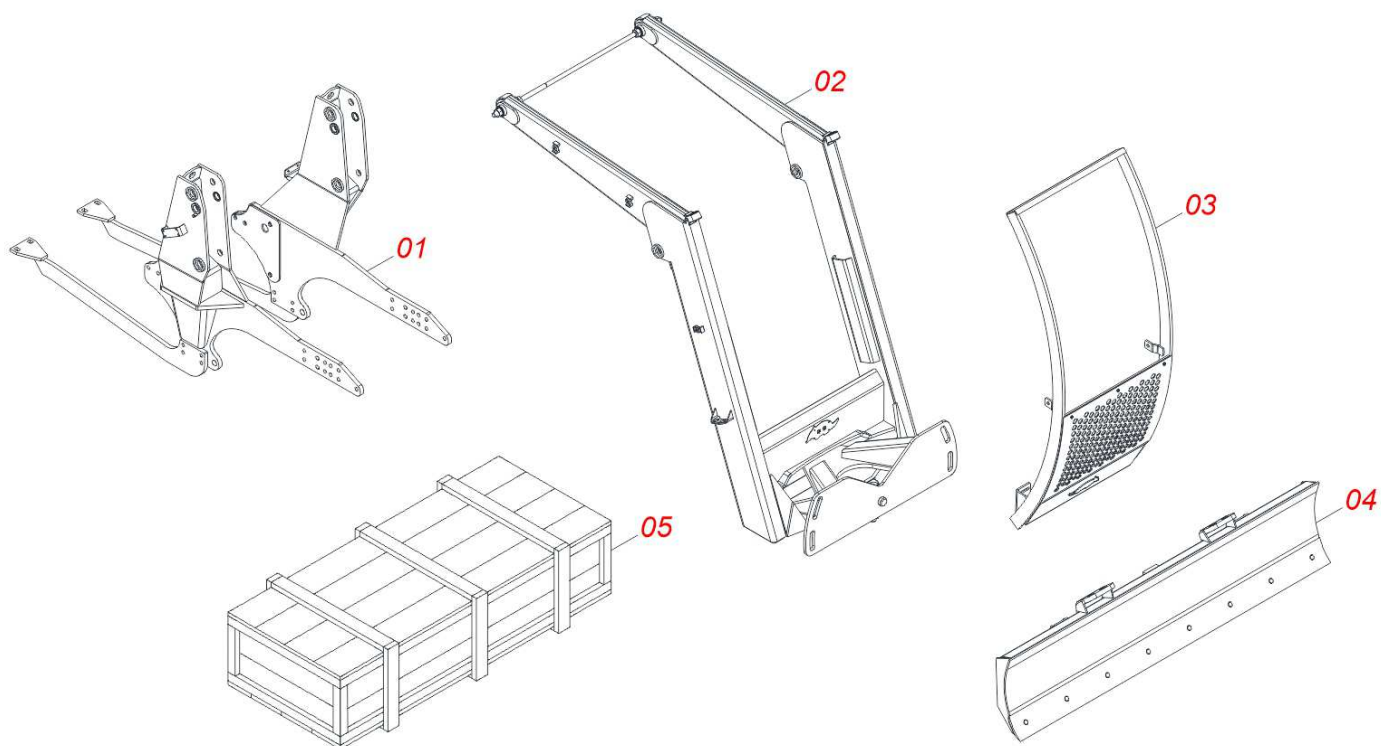
## ATTENTION: IMPORTANT

Marchesan S.A. reserves the right to improve and/or modify the technical features of its products, without obligation to do the same with those products already sold and without prior knowledge of the dealer or the customer. The photos are only illustrative.

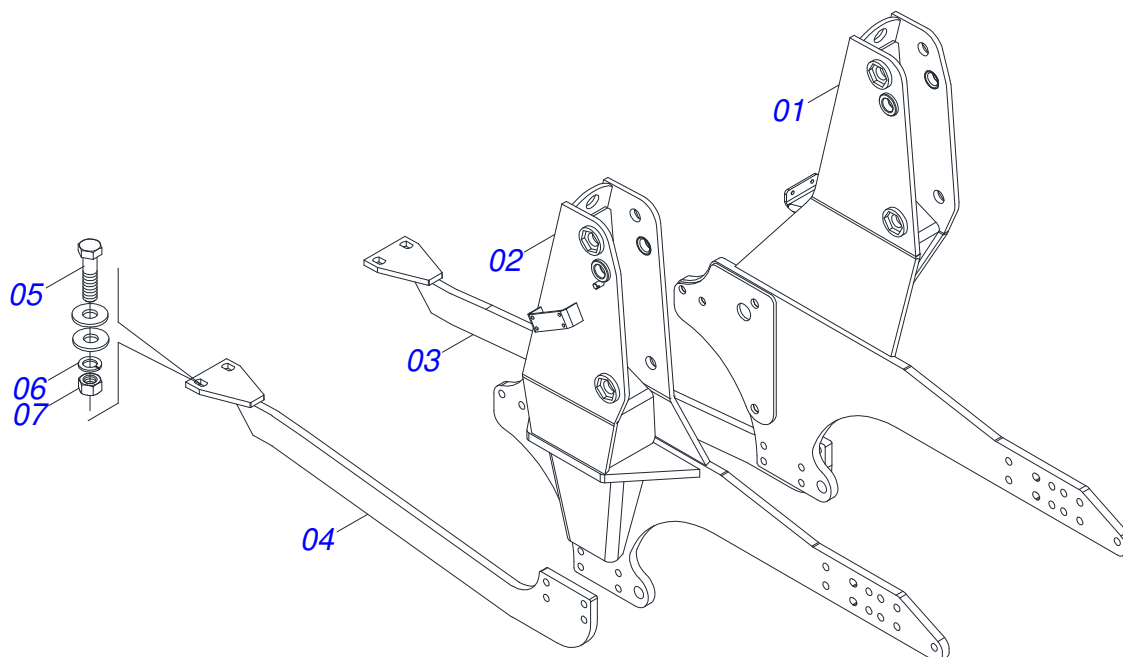


# INDEX

0909096621	PD VALTRA BH	.....	1
0521047672	FRAME ASSEMBLY WITH DRAWBAR	.....	2
0521047673	MOBILE SUPPORT ASSY	.....	3
0501048330	MOBILE SUPPORT GUIDE ASSY	.....	4
0511045456	2600 BLADE SUPPORT ASSY	.....	5
0521023895	COMPONENT WITH BOX	.....	6
0521044193	1.1/4 NC X 1810 FULL ROD	.....	7
0501041652	FULL 1.1/4" X 31.88" ROD ASSY	.....	8
0521051768	HYDRAULIC CYLINDER	.....	9
0521051770	HYDRAULIC CYLINDER	.....	10
0909095942	HYDRAULIC SYSTEM	.....	11
0511054457	ASSY SAFETY VALVE	.....	12
0511032944	PACKED PARTS	.....	13
0501053835	FEMALE QUICK COUPLER	.....	14
0501053834	MALE QUICK COUPLER	.....	15

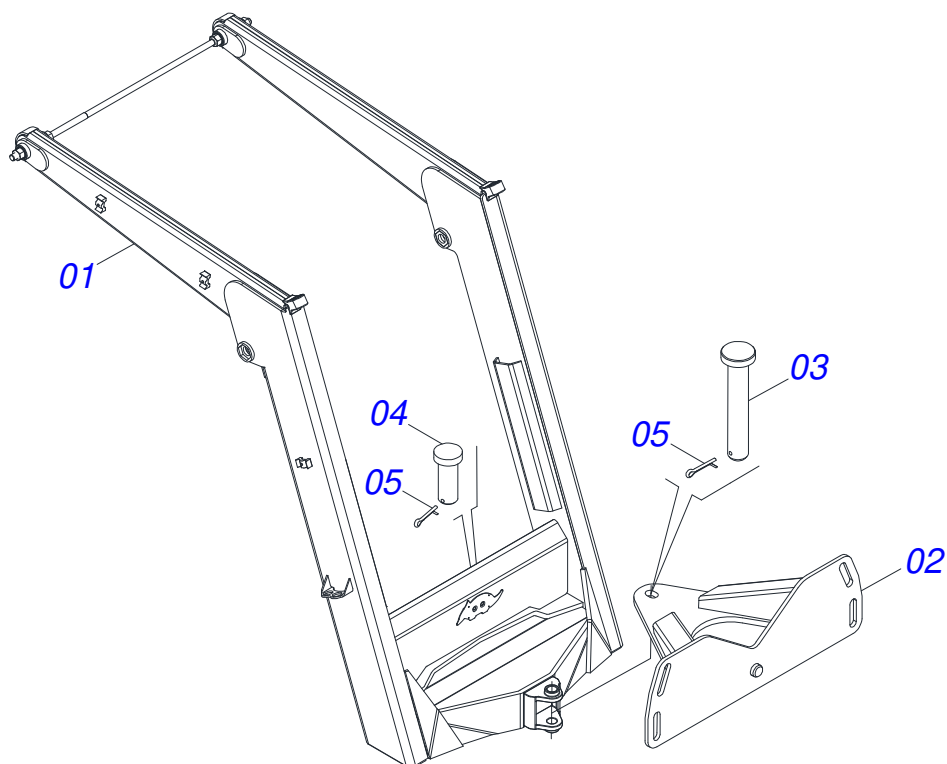


Item	Code	Description	See page	QT
01	0521047672	FRAME ASSEMBLY WITH DRAWBAR	2	01
02	0521047673	MOBILE SUPPORT ASSY	3	01
03	0501048330	MOBILE SUPPORT GUIDE ASSY	4	01
04	0511045456	2600 BLADE SUPPORT ASSY	5	01
05	0521023895	COMPONENT WITH BOX	6	01

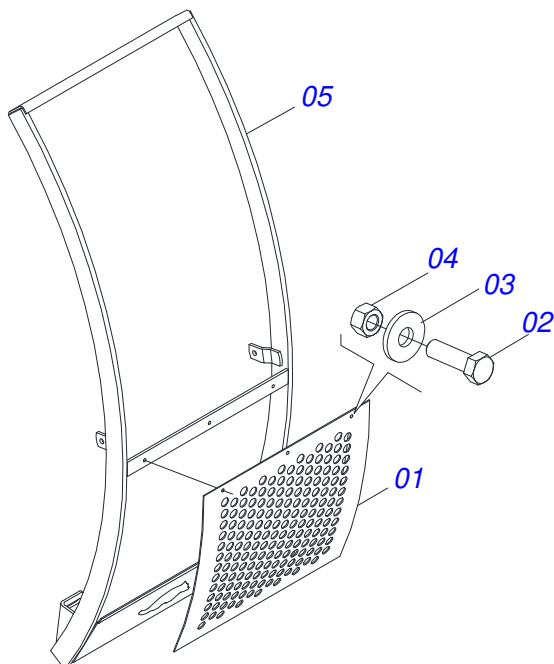


Item	Code	Description	See page	QT
01	0521068145	LEFT FRAME		01
02	0521068146	RIGHT FRAME		01
03	0521064903	BACK BAR		01
04	0521065072	REAR BAR		01
05	0501010500	3/4"X3"BOLT		04
06	0503010023	3/4" SPRING WASHER		04
07	0503010014	3/4" HEX NUT		04

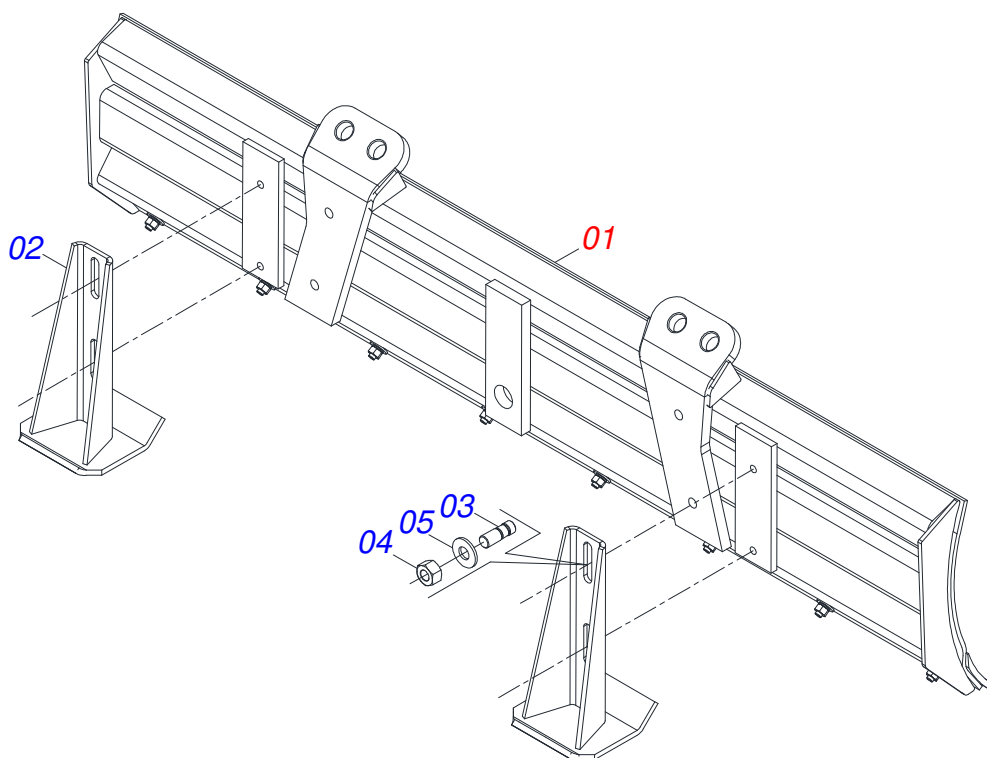
MOBILE SUPPORT ASSY



Item	Code	Description	See page	QT
01	0521068135	MOBILE SUPPORT		01
02	0501062637	5/8" REGULATOR SUPPORT		01
03	0521010618	1.4" X 8.6" COUPLING SHAFT		01
04	0521010612	1.4" X 3.5" COUPLING SHAFT		01
05	0503010010	1/4" X 2.1/2" COTTERPIN		02

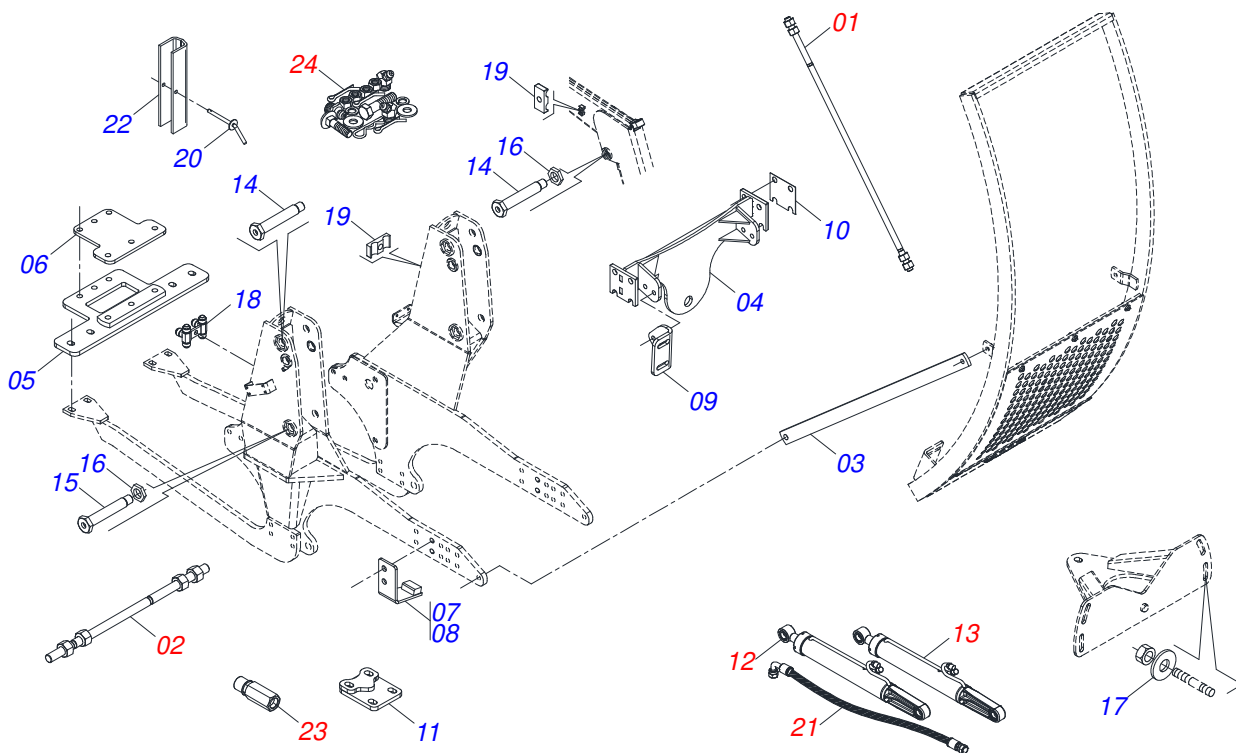


Item	Code	Description	See page	QT
01	0501014686	FRONT PROTECTION		01
02	0503010751	C3/8" X 1.1/4" HEX BOLT G.5		03
03	0501010984	FLAT WASHER 10,50 X 27 X 3,00		03
04	0503010026	3/8" NUT		03
05	0511061998	MOBILE SUPPORT GUIDE		01

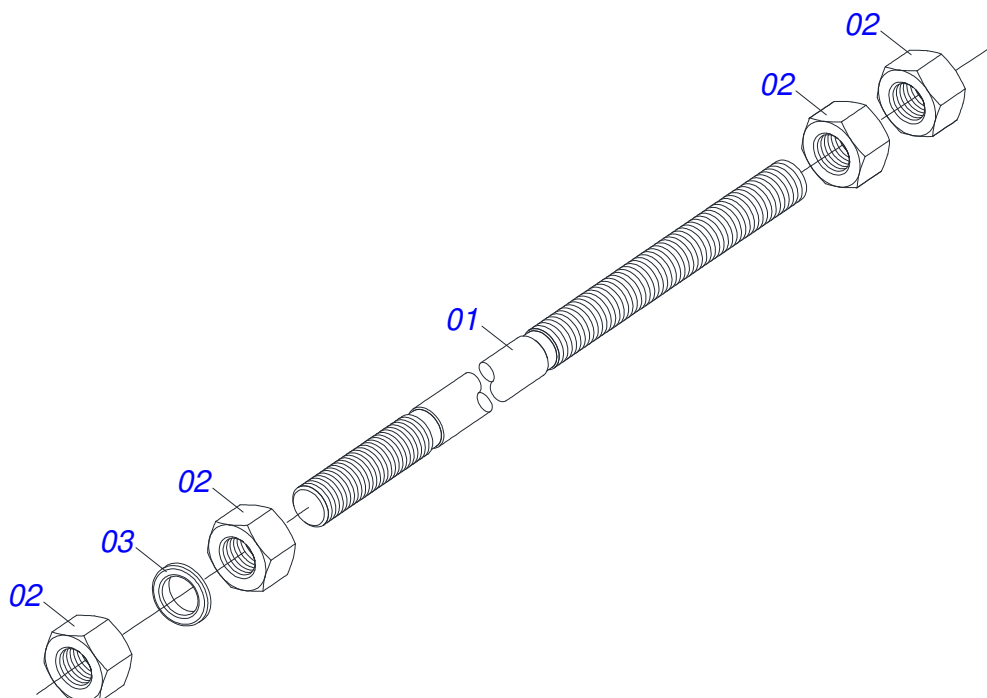


Item	Code	Description	See page	QT
001	0501047710	2600MM BLADE SUPPORT ASSY		01
002	0501063411	ESTABILIZER BRACKET		02
003	0561016756	3/4 UNC X 3/4 UNC X 56 PRISONER		04
004	0503010014	3/4" HEX NUT		08
005	0501010322	FLAT WASHER		04

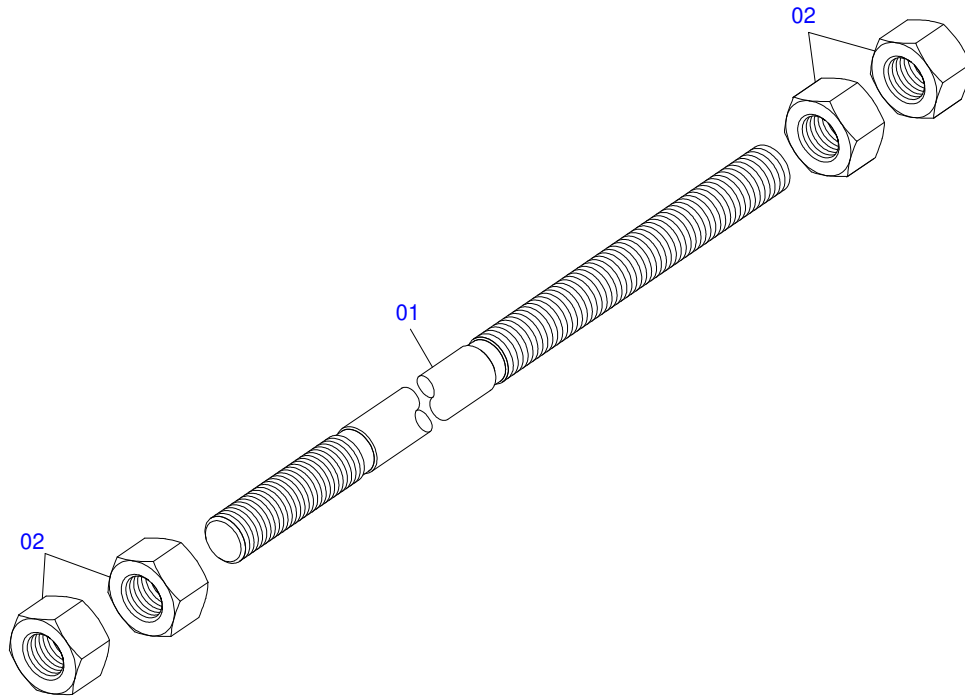




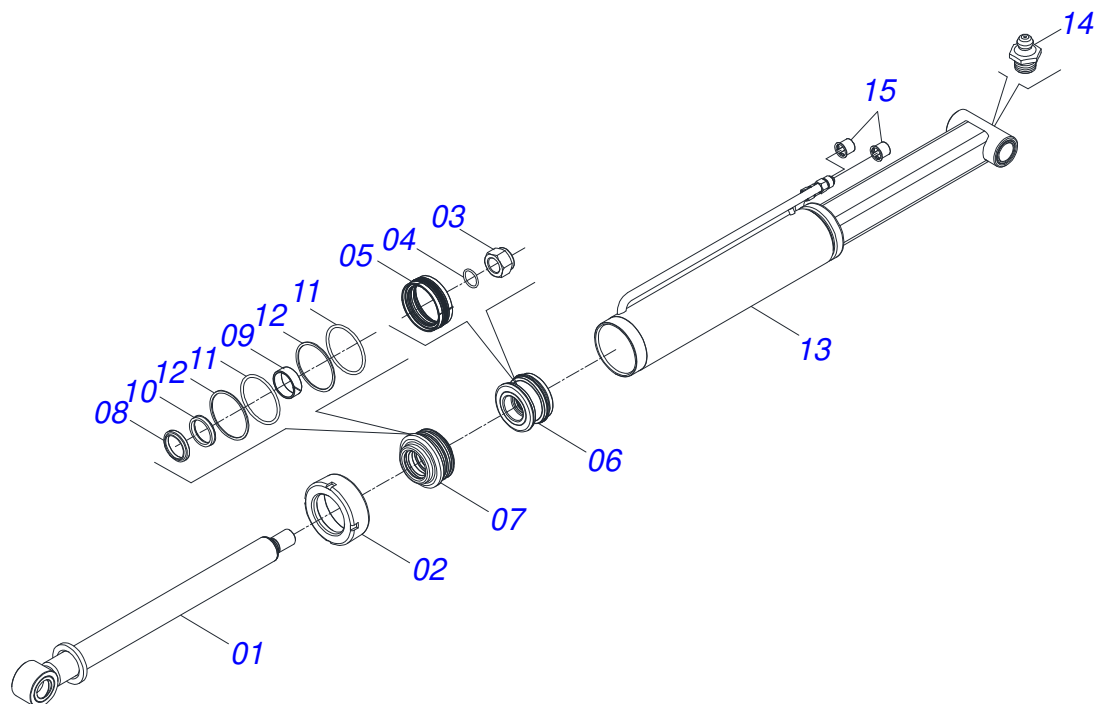
Item	Code	Description	See page	QT
01	0521044193	1.1/4 NC X 1810 FULL ROD	7	02
02	0501041652	FULL 1.1/4" X 31.88" ROD ASSY	8	01
03	0511013560	ATTACHMENT BAR		02
04	0521065156	MOBILE SUPPORT FIXER		01
05	0521065069	LOWER FIXING		01
06	0571016626	SUPPORT FIXER		01
07	0521065892	RIGHT BEATER		01
08	0521065895	LEFT BEATER		01
09	0571014003	FASTENING BRACKET OF THE HIGH GUIDE		02
10	0571017466	FIXING CHOCK		02
11	0531060479	ADAPTER		04
12	0521051768	HYDRAULIC CYLINDER	9	01
13	0521051770	HYDRAULIC CYLINDER	10	01
14	0581010693	BOLT		02
15	0581015228	BOLT		04
16	0581010243	WASHER HEX		06
17	0501010574	FLAT WASHER		04
18	0521064869	7/8UNF JIC OIL DISTRIBUTOR		01
19	0502010477	HOSE CLAMP		06
20	0501068994	8,30 X 78 LOCK PIN		02
21	0909095942	HYDRAULIC SYSTEM	11	01
22	0531017238	LOCK TRANSPORT		02
23	0511054457	ASSY SAFETY VALVE	12	02
24	0511032944	PACKED PARTS	13	01



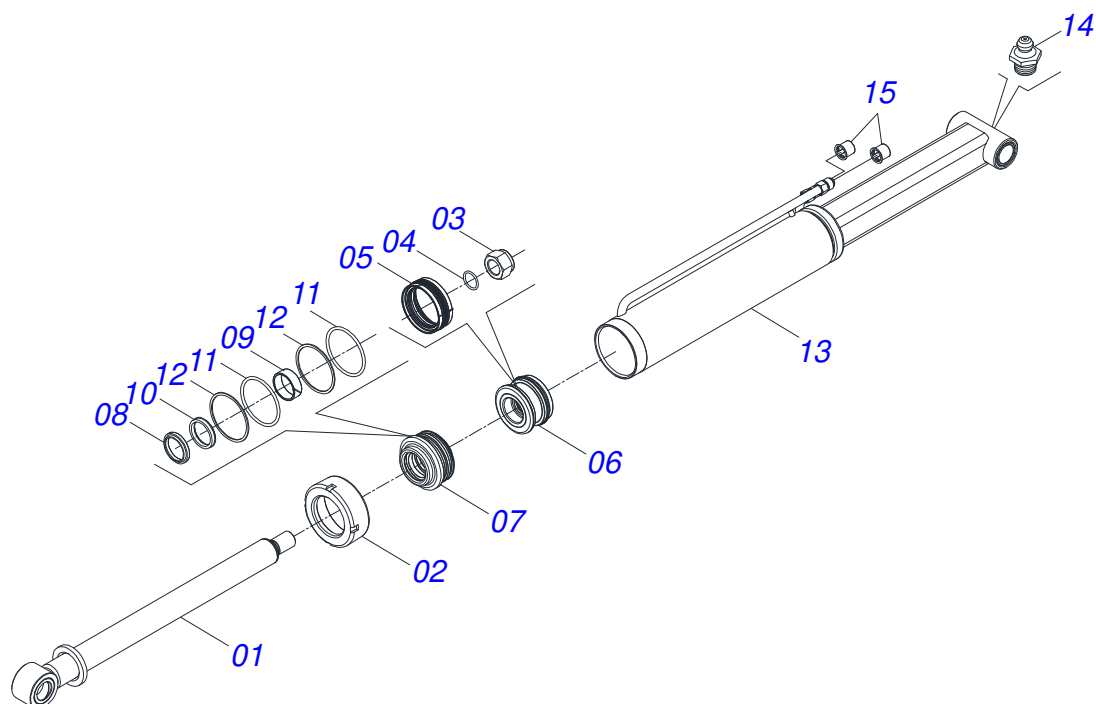
Item	Code	Description	See page	QT
01	0571016063	1.1/4X1810 ROD		01
02	0501010087	1.1/4" NUT		04
03	0502012180	CONICAL SPRING WASHER		02



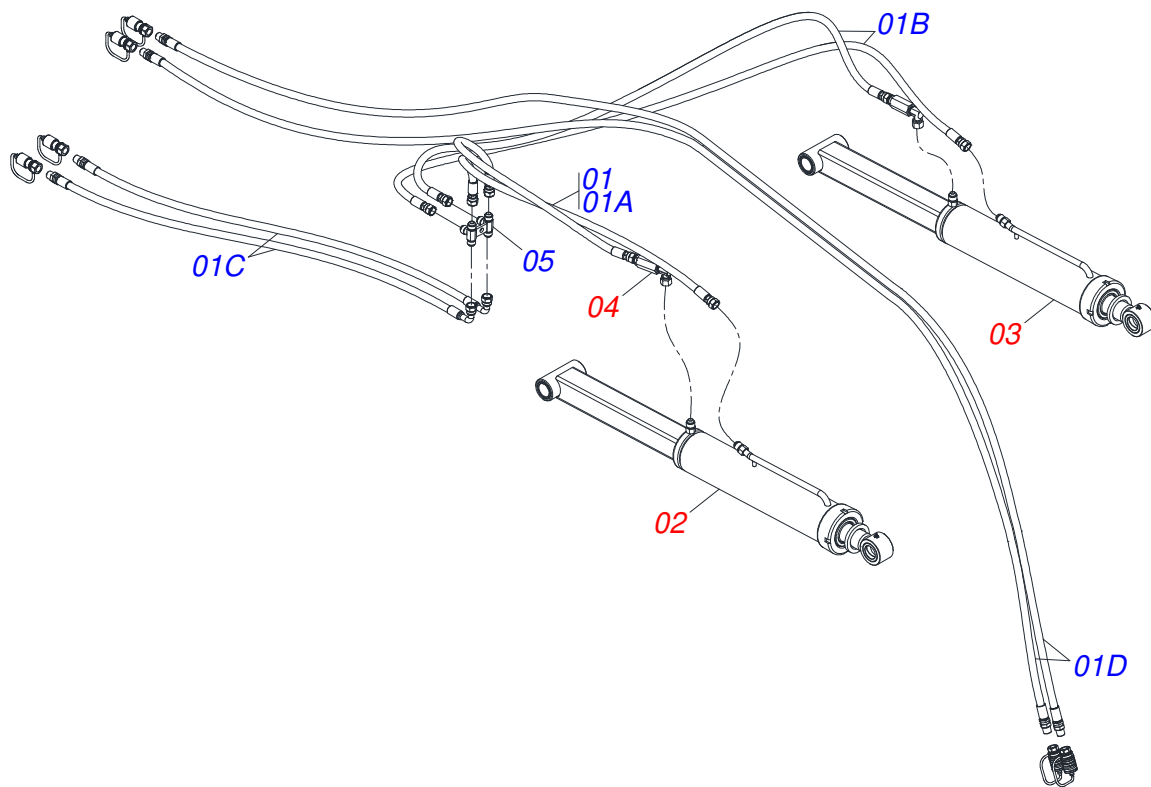
Item	Code	Description	See page	QT
01	0501014916	1.1/4" X 31.88" ROD		01
02	0501010087	1.1/4" NUT		04



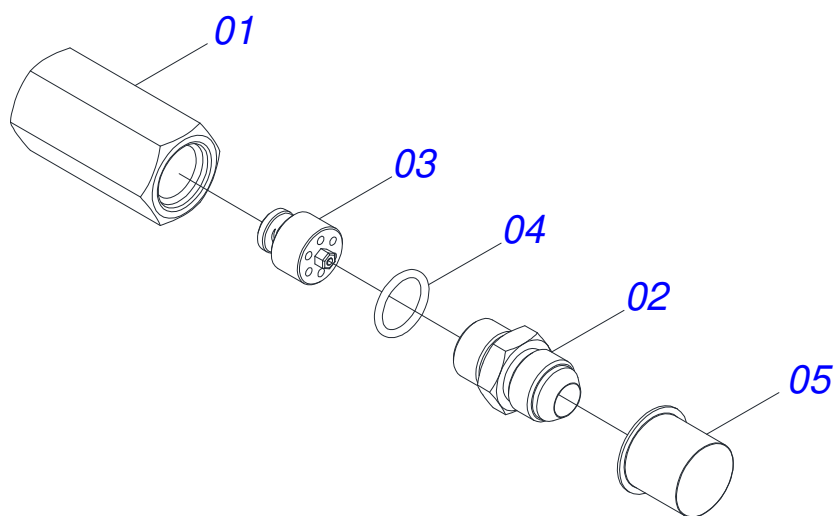
Item	Code	Description	See page	QT
001	0521068132	TURNBUCKLE		01
002	0502012822	101.60 END CAP		01
003	0503010817	1.1/4" SELF LOCKING NUT		01
004	0503010345	2-218 N 3006-9B O'RING		01
005	0503015633	SELEMASTER SEALING		01
006	0502012842	50,80 X 101,60 PISTON		01
007	0581010678	50,80 X 101 RING SUPPORT		01
008	0503015636	SCRAPER SEAL		01
009	0503018025	RING GUIDE		01
010	0503018026	1870-2000-375 B GASKET		01
011	0503010338	2-342 N 3006-9B O'RING		02
012	0503011061	8-342 BACK-UP RING		02
013	0521068133	CYLINDER CASE		01
014	0503010002	1800 GREASE FITTING		02
015	0503030387	PLUG		02



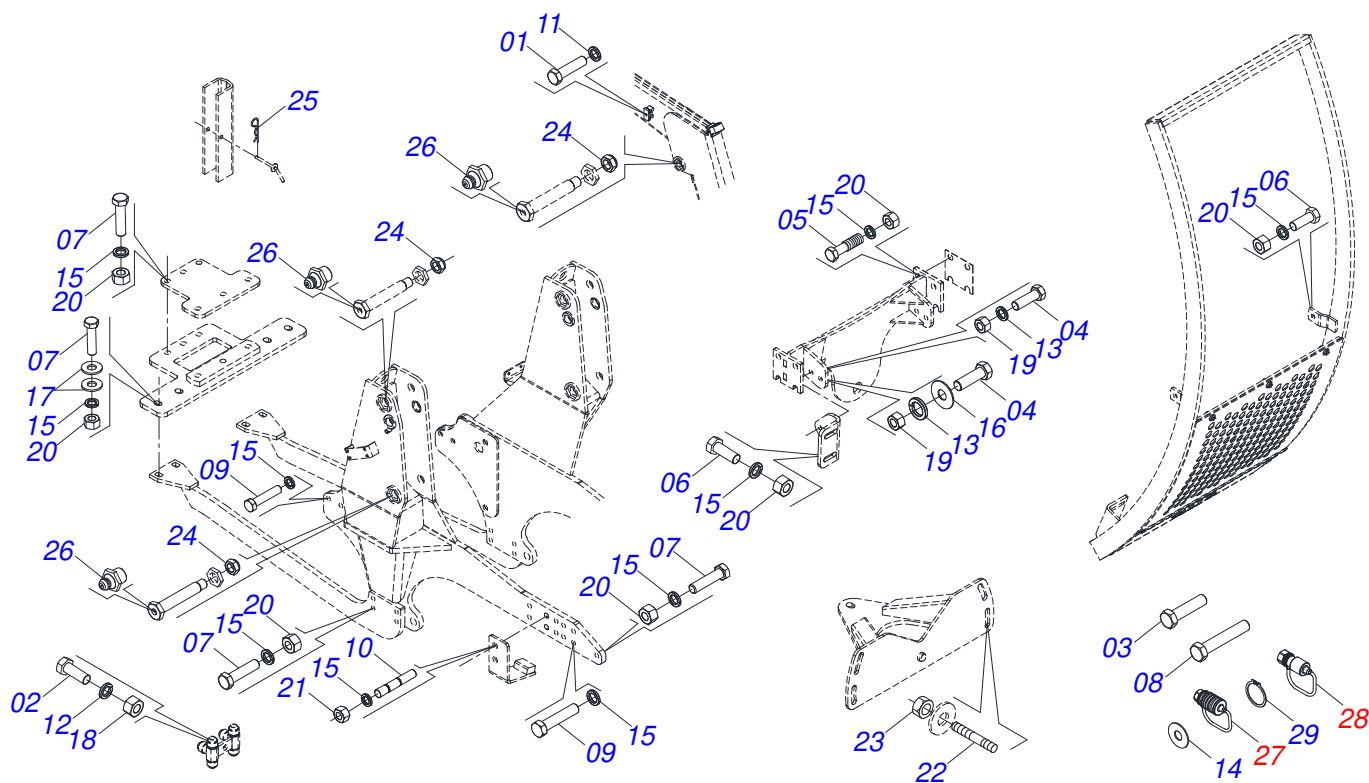
Item	Code	Description	See page	QT
001	0521068132	TURNBUCKLE		01
002	0502012822	101.60 END CAP		01
003	0503010817	1.1/4" SELF LOCKING NUT		01
004	0503010345	2-218 N 3006-9B O'RING		01
005	0503015633	SELEMASTER SEALING		01
006	0502012842	50,80 X 101,60 PISTON		01
007	0581010678	50,80 X 101 RING SUPPORT		01
008	0503015636	SCRAPER SEAL		01
009	0503018025	RING GUIDE		01
010	0503018026	1870-2000-375 B GASKET		01
011	0503010338	2-342 N 3006-9B O'RING		02
012	0503011061	8-342 BACK-UP RING		02
013	0521068134	CYLINDER CASE		01
014	0503010002	1800 GREASE FITTING		02
015	0503030387	PLUG		02



Item	Code	Description	See page	QT
01	0521051787	HOSE KIT		01
01A	0501080060	1/2 X 1600 TR-TC HOSE		02
01B	0501080137	HOSE 1/2 X 3000 TC-TC		02
01C	0501080110	HOSE 1/2 X 3100		02
01D	0501082139	HOSE 1/2 X 6500 TM-TM		02
02	0521051770	HYDRAULIC CYLINDER	10	01
03	0521051768	HYDRAULIC CYLINDER	9	01
04	0511054457	ASSY SAFETY VALVE	12	02
05	0521064869	7/8UNF JIC OIL DISTRIBUTOR		01



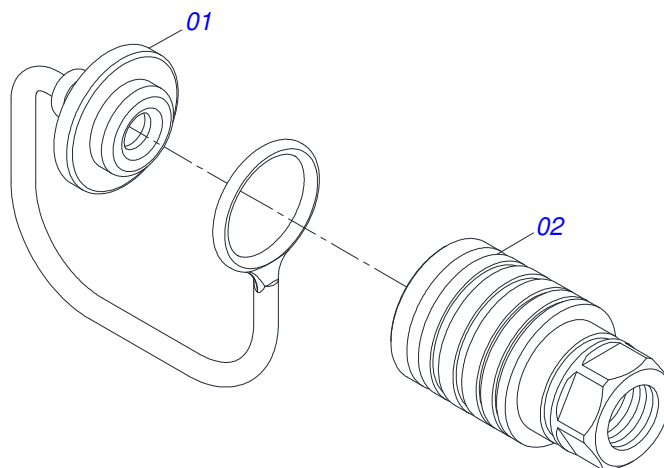
Item	Code	Description	See page	QT
01	0581014053	1/2 BSP X 7/8 UNF JIC X 64 ADAPTER		01
02	0581014052	1/2 BSP X 7/8 UNF JIC X 43 NIPLE		01
03	0503016854	VALVE ASSY		01
04	0503010045	O'RING		01
05	0503030387	PLUG		01



Item	Code	Description	See page	QT
01	0503012555	SCREW 7/16 UNC X 2 CS RT G.7 ZN		05
02	0503010834	1/2 X 1 BOLT		01
03	0503010311	1/2" X 1-1/4" BOLT		01
04	0501010100	SCREW 5/8 UNC X 2 CS G.5 ZN		04
05	0501011541	5/8" X 3" BOLT		08
06	0501010098	3/4" UNC BOLT		06
07	0503013394	3/4" X 3" BOLT		20
08	0503011328	3/4" X 4" BOLT		04
09	0503013103	M20 X 2,5 X 90 BOLT		12
10	0511014160	3/4" X 4.52" STUD		04
11	0503010180	7/16" SPRING WASHER		05
12	0503010019	1/2" SPRING WASHER		01
13	0503010027	5/8" SPRING WASHER		12
14	0501012140	FLAT WASHER		08
15	0503010023	3/4" SPRING WASHER		58
16	0501011312	FLAT WASHER		02
17	0501010322	FLAT WASHER		16
18	0503010028	1/2" NUT		01
19	0503010013	5/8" NUT		12
20	0503010014	3/4" HEX NUT		38
21	0503010335	3/4"NUT		12
22	0561016755	PRISONER 1 UNC X 1 UNC X 76 ZN		04
23	0501010059	1.5/8 NUT		04
24	0503010044	1-1/4" SELF LOCKING NUT		06
25	0503030012	HITCH PIN CLIP		02
26	0503010002	1800 GREASE FITTING		06
27	0501053835	FEMALE QUICK COUPLER	14	02
28	0501053834	MALE QUICK COUPLER	15	04
29	0503010217	501040 CLAMPING RING (FOR AXLE)		04

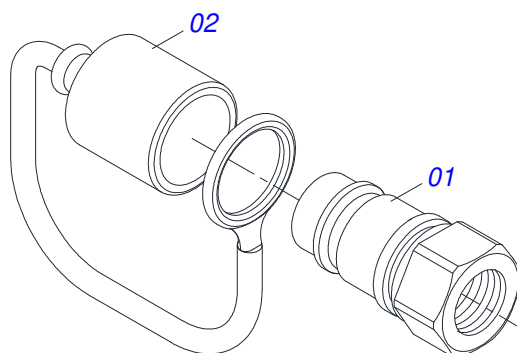


FEMALE QUICK COUPLER



Item	Code	Description	See page	QT
01	0503011883	QUICK CONNECTION COVER		01
02	0503011628	FEMALE QUICK COUPLER		01

MALE QUICK COUPLER

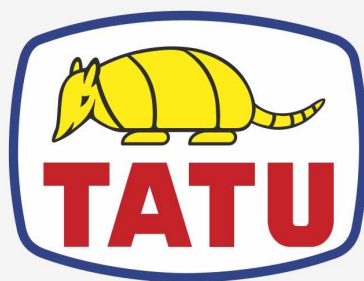


Item	Code	Description	See page	QT
01	0503011627	MALE QUICK COUPLER AGR 1/2 NPT		01
02	0503011882	MALE QUICK COUPLER CAP		01

# ANNOTATION



Lined area for annotation.



**MARCHESAN**

**Technical Publications | Elaboration and Revision**

MARINA PEREZ NIZA

[www.marchesan.com.br](http://www.marchesan.com.br)

