

**PCA - AGRICULTURAL FRONT LOADER**

**PCA 800 MF 4292-4 SHT CD TC ZF**

**Code:** 0501092989

**Series:** S-0710

**Revision:** 00

**Date Revision:** JUNHO/2021

# **PARTS CATALOGUE**



**MARCHESAN**



# PRODUCTS

Code	Description
0106111171	PCA 800 MF 4292-4 SHT CD TC ZF

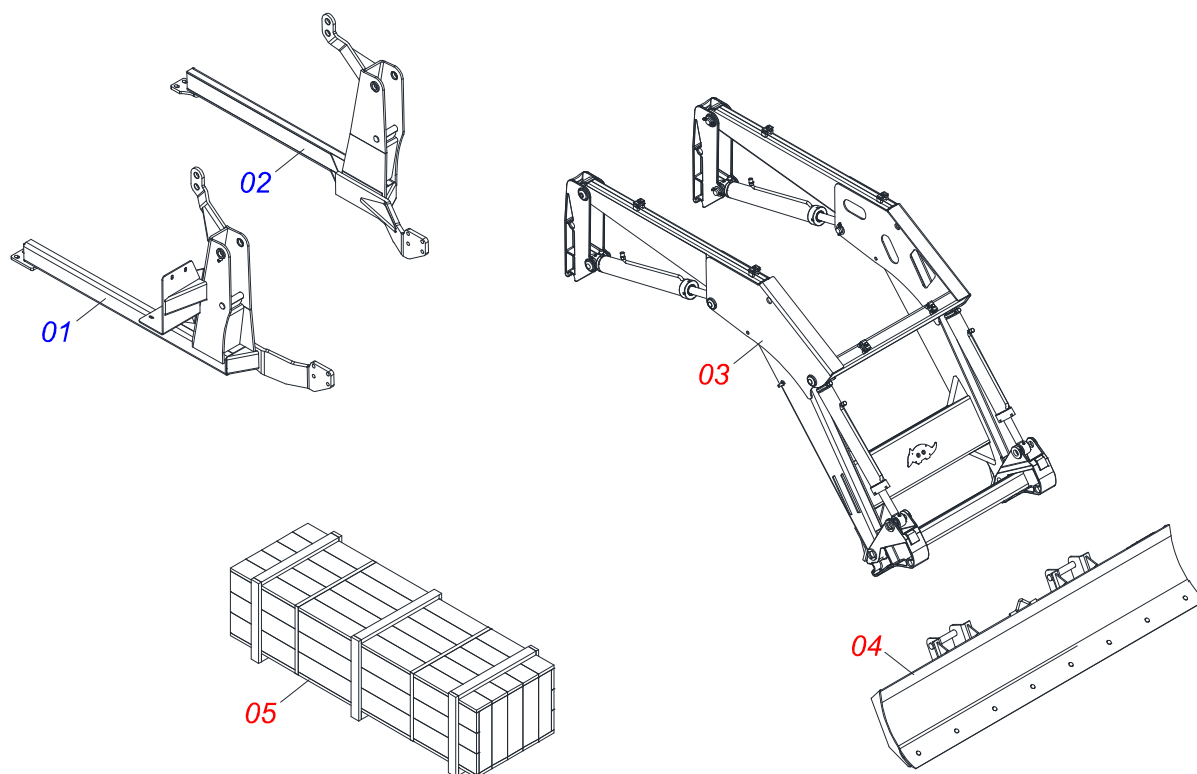
## ATTENTION: IMPORTANT

Marchesan S.A. reserves the right to improve and / or modify the technical features of its products, without obligation to do the same with those products already sold and without prior knowledge of the dealer or the consumer.

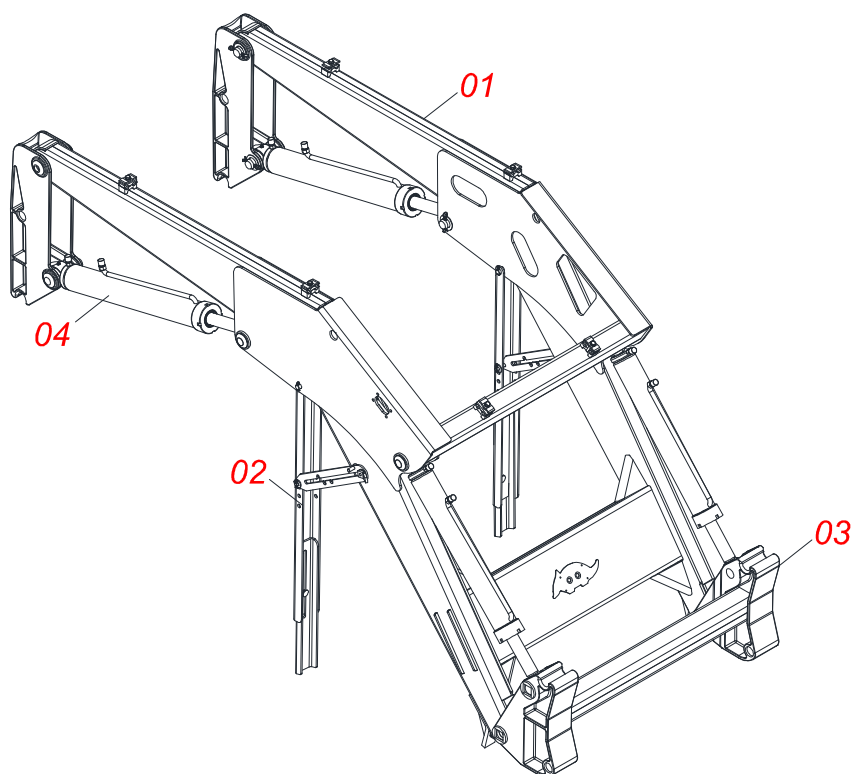


# INDEX

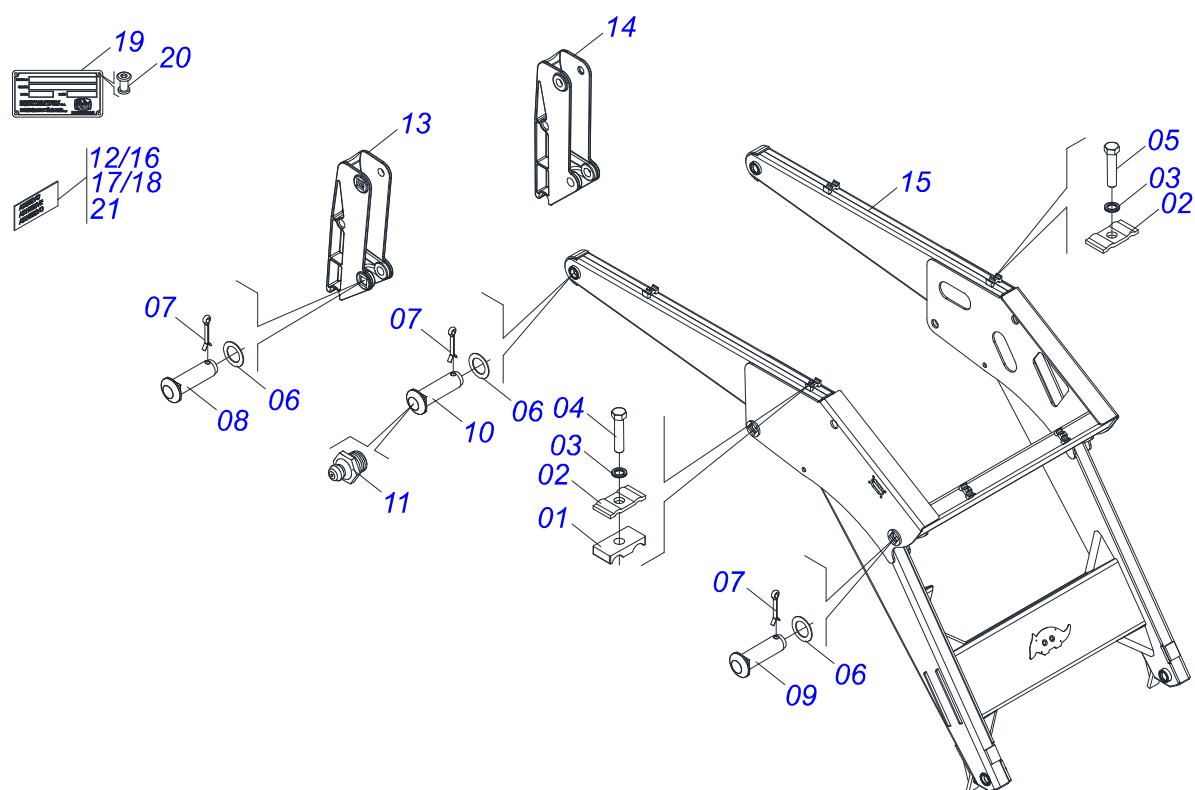
0106111171	PCA 800 MF 4292-4 SHT CD TC ZF	.....	1
0511046400	MOBILE SUPPORT ASSY	.....	2
0909095840	MOBILE SUPPORT	.....	3
0909095854	REST OF MOVEL SUPPORT	.....	4
0909095428	ARTICULATION	.....	5
0909095856	HYDRAULIC SYSTEM	.....	6
0511043382	DOZER BLADE 2400	.....	7
0511025324	BOX WITH COMPONENTS	.....	8
0501038021	PACKED PARTS	.....	9



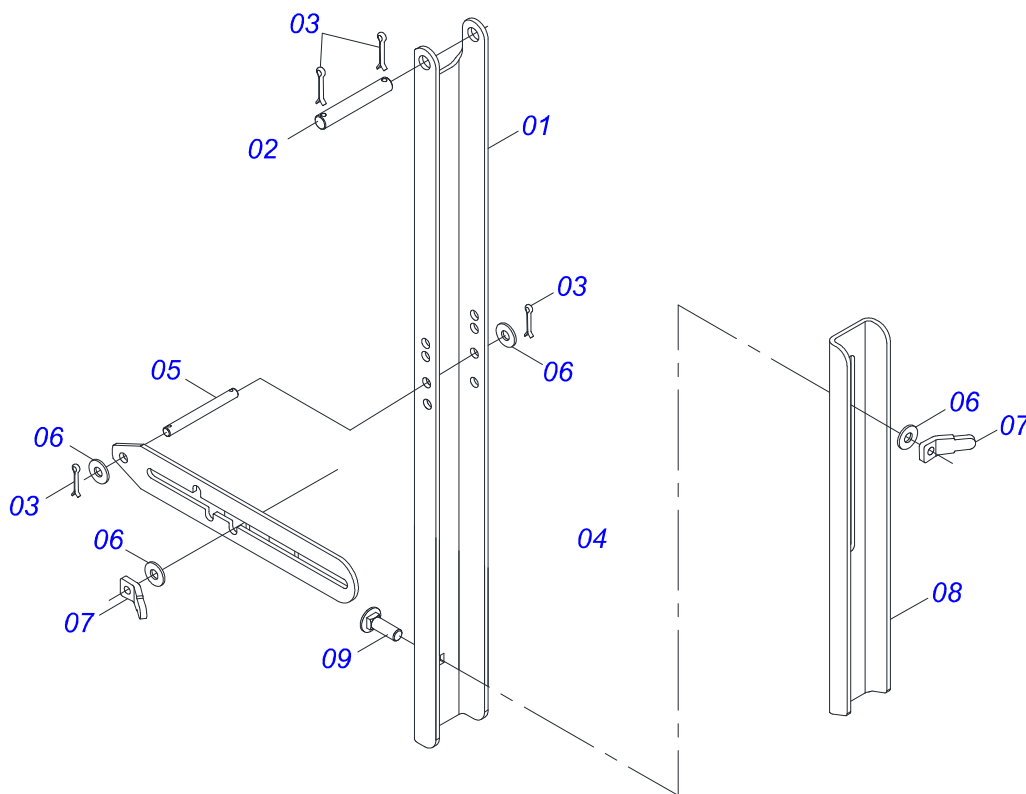
Item	Code	Description	See page	QT
01	0521061541	RIGHT FRAME		01
02	0521061543	LEFT CHASSIS		01
03	0511046400	MOBILE SUPPORT ASSY	2	01
04	0511043382	DOZER BLADE 2400	7	01
05	0511025324	BOX WITH COMPONENTS	8	01



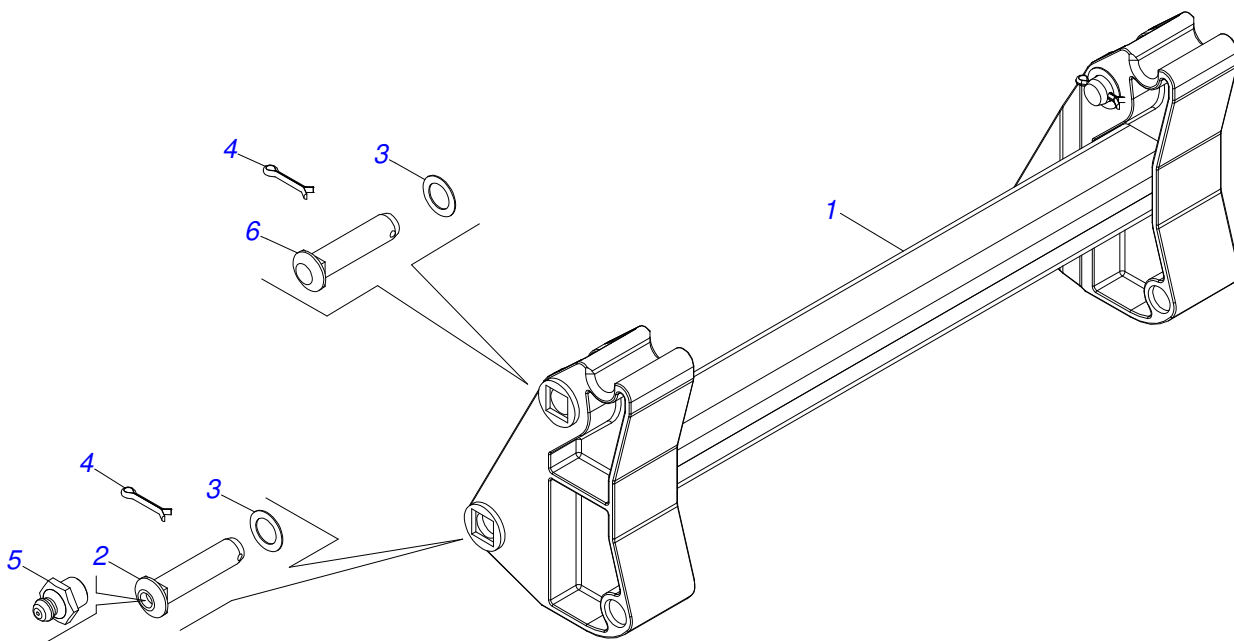
Item	Code	Description	See page	QT
01	0909095840	MOBILE SUPPORT	3	01
02	0909095854	REST OF MOVEL SUPPORT	4	01
03	0909095428	ARTICULATION	5	01
04	0909095856	HYDRAULIC SYSTEM	6	01



Item	Code	Description	See page	QT
01	0502010477	HOSE CLAMP	04	
02	0503011180	UPPER CLAMP BODY	06	
03	0503010180	7/16" SPRING WASHER	06	
04	0503012555	SCREW 7/16 UNC X 2 CS RT G.7 ZN	04	
05	0503011102	BOLT 7/16 UNC X 1.1/4 C S G.5 ZN	02	
06	0511019685	FLAT WASHER	08	
07	0503010534	3/8 X 2-1/2 COTTERPIN	08	
08	0521012869	COUPLING SHAFT	02	
09	0521012868	1.4" X 5" PIVOT SHAFT	04	
10	0521012870	1.46" X 6.18" PIVOT SHAFT	02	
11	0503010002	1800 GREASE FITTING	02	
12	0503062217	SET LABEL ADHESIVE	01	
13	0502012472	MOBILE TOWER	01	
14	0502012473	LEFT MOBILE TOWER	01	
15	0511066050	MOBILE SUPPORT	01	
16	0503031087	ADHESIVE LABEL	01	
17	0503031428	READ MANUAL DECAL	01	
18	0503031827	LUBRICATE AND RETIGHTEN DAILY DECAL	01	
19	0503034003	SERIAL NUMBER TAG 61 X 118	01	
20	0503010001	3.2 X 5.5 RIVET	04	
21	0503034078	LIFTING POINTS DECAL	01	

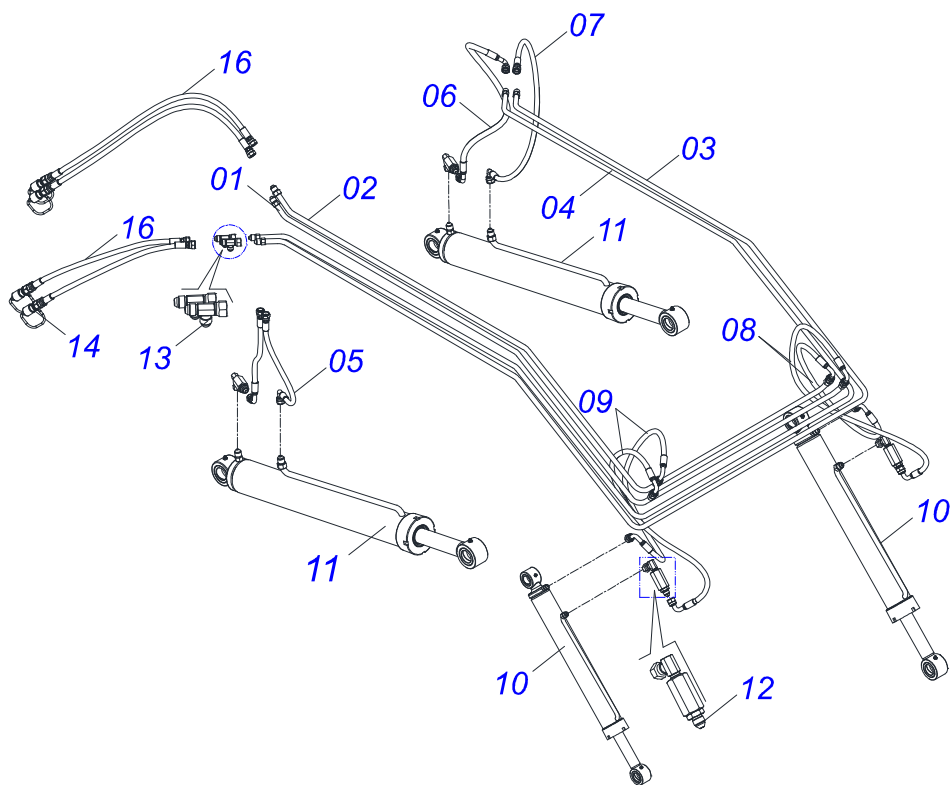


Item	Code	Description	See page	QT
01	0561016401	PLOUGH SUPPORT BODY		02
02	0511013598	3/4" X 4.7" COUPLING SHAFT		02
03	0503010071	3/16" X 1" COTTERPIN		08
04	0511019634	CONTROL LOCK		02
05	0521012823	COUPLING SHAFT		02
06	0511017302	FLAT WASHER		08
07	0561016329	LATCH HOLDER REST PCA		04
08	0561016619	COMPLEMENTON REST		02
09	0503014378	1/2" X 1-1/2" BOLT		02

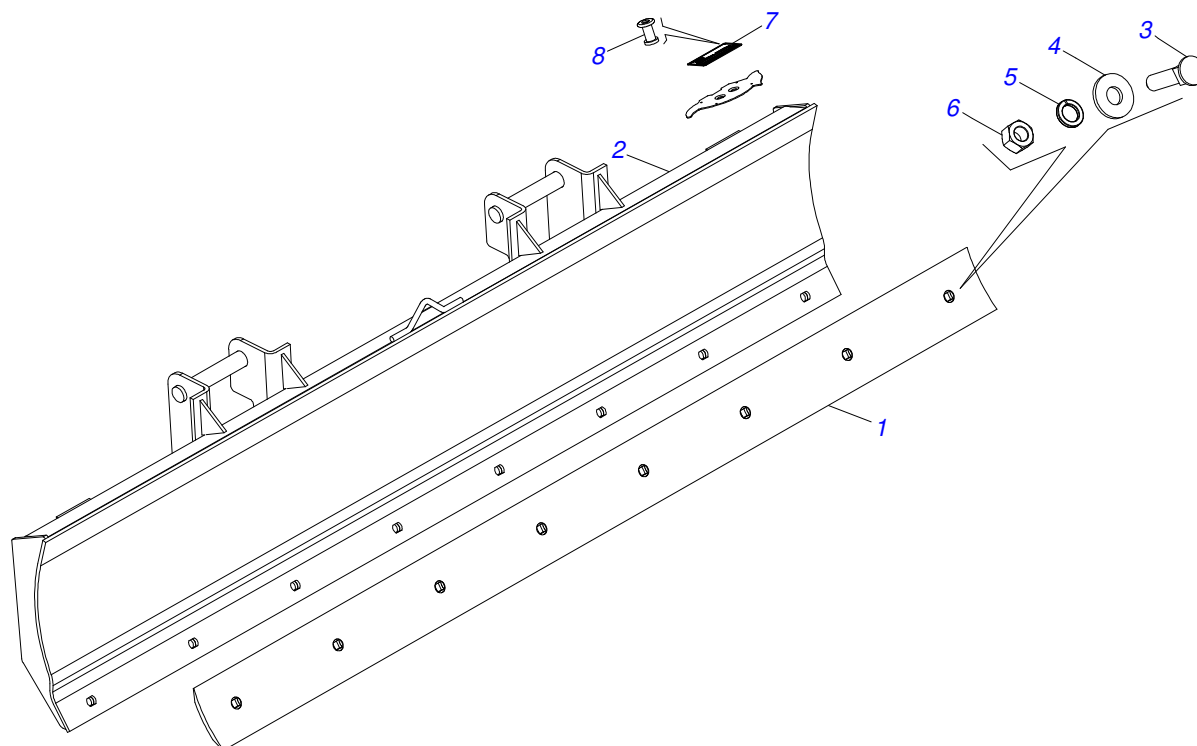


Item	Code	Description	See page	QT
01	0501069939	PIVOT SUPPORT		01
02	0521012870	1.46" X 6.18" PIVOT SHAFT		02
03	0511019685	FLAT WASHER		04
04	0503010534	3/8 X 2-1/2 COTTERPIN		04
05	0503010002	1800 GREASE FITTING		02
06	0521012869	COUPLING SHAFT		02

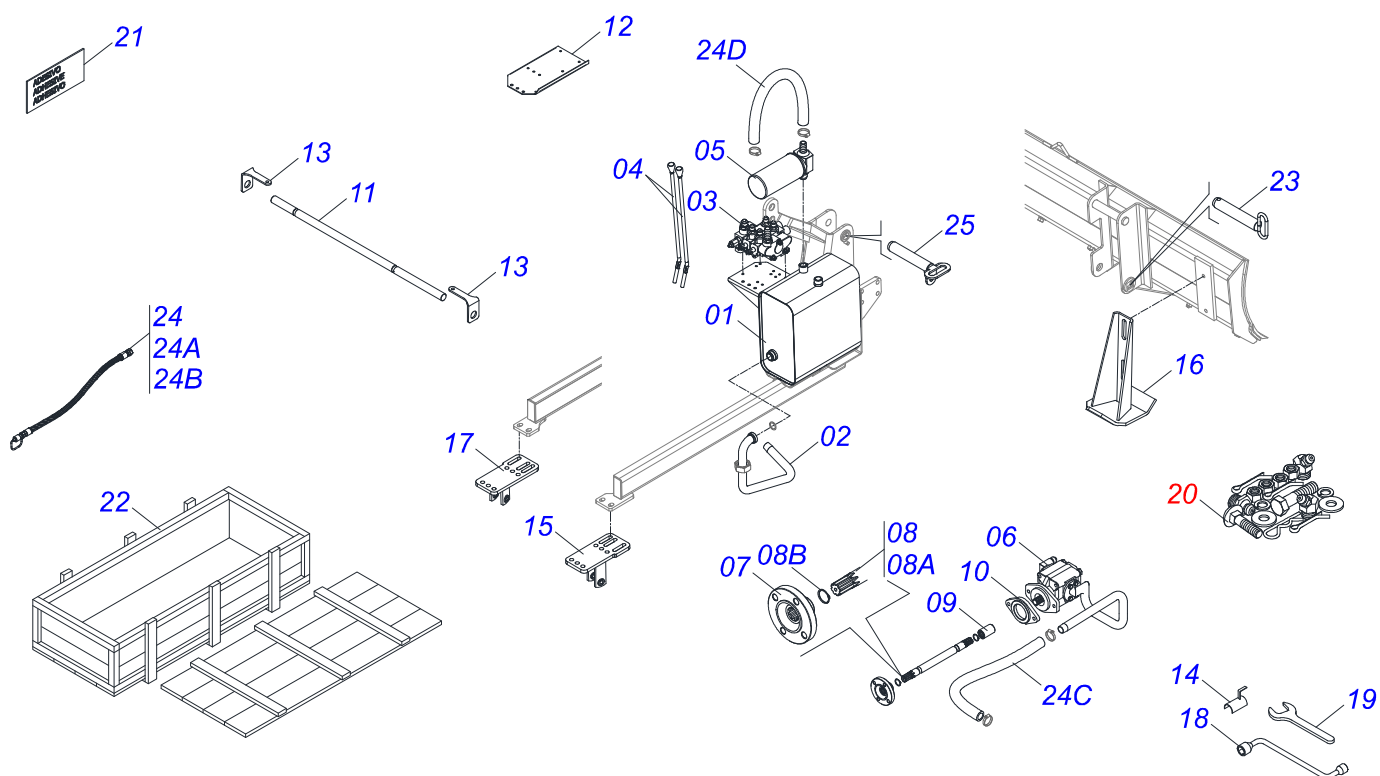




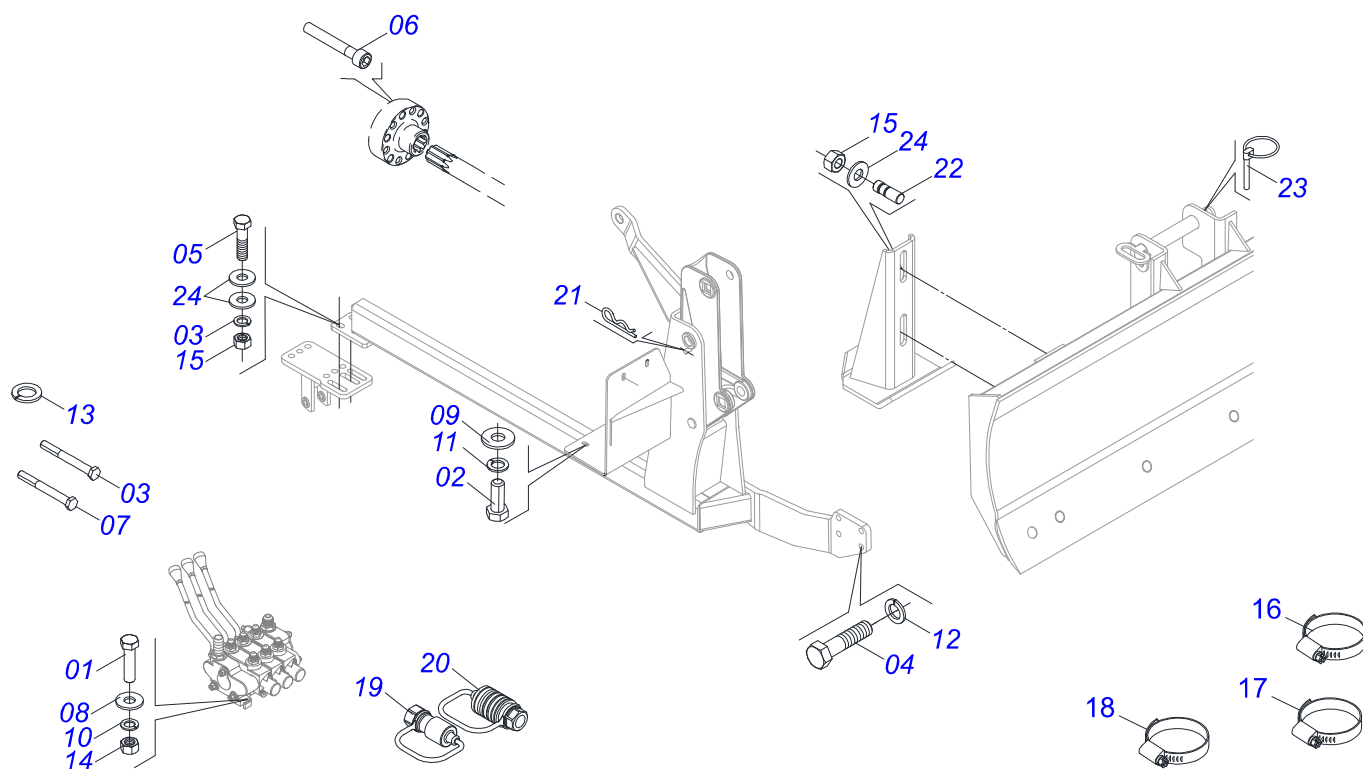
Item	Code	Description	See page	QT
01	0501069857	RIGHT RIGHT OIL TUBE		01
02	0501069858	LH RIGHT OIL TUBE		01
03	0521061821	OUTER DISTRIBUTOR TUBE OIL		01
04	0521061820	INNER DISTRIBUTOR TUBE OIL		01
05	0501080150	HOSE ASSY		02
06	0501080766	3/8" X 27.56" TC-TC HOSE		01
07	0501080105	TR-TR HOSE ASSY		01
08	0501080688	3/8" X 25" TC-TC 90G HOSE		01
09	0501080777	LH 3/8" X 25.9" TC-TC HOSE		01
10	0511057974	44,45 X 85,72 X 870 X 593 HYDRAULIC CYLINDER		02
11	0511057973	HIDRAULIC CYLINDER 44,45 X 76,20 X 820 X 551		02
12	0511057772	SECURITY VALVE ASSY		04
13	0503011968	3/4" 8R6X-S T ADAPTER WITH SWIVEL NUT		02
14	0501053834	MALE QUICK COUPLER WITH CAP - 1/2 NPT		04
15	0501080745	3/8" X 25" TC-TC HOSE ASSY		02
16	0501080796	1/2" X 1400 TC-TM HOSE		04



Item	Code	Description	See page	QT
01	0622360016	94.5" SCRAPER REVERSIBLE		01
02	0501069112	2400MM DOZER BLADE		01
03	0501812240	BOLT		08
04	0501812140	FLAT WASHER		08
05	0503011445	SPRING WASHER		08
06	0503810013	NUT 5/8 NC		08
07	0503034003	SERIAL NUMBER TAG 61 X 118		01
08	0503010001	3.2 X 5.5 RIVET		04



Item	Code	Description	See page	QT
01	0501047575	OIL RESERVOIR ASSY		01
02	0521061677	TANK SUCTION DUCT - PCA/PD		01
03	0501059952	DOBLE COMMAND 1/2 HIDROV/DANFOSS ASSY		01
04	0501048023	CONTROL VALVE		02
05	0501041108	RETURNING FILTER ASSY		01
06	0501059935	PUMP WITH SUCTION AND PRESSURE DUCTS		01
07	0501067327	COUPLING FLANGE		01
08	0501059981	AXLE		01
08A	0521061649	AXLE		01
08B	0503010174	501028 CLAMPING RING (FOR AXLE)		01
09	0503030838	1-1/8" X 2.4" SLEEVE		01
10	0521061658	PUMP SUPPORT		01
11	0511044706	1.1/4 NC X 950 FULL ROD		01
12	0561016462	COMMAND SUPPORT		01
13	0561010051	HEADLIGHT SUPPORT		02
14	0511064563	HOSE PROTECTION		01
15	0511069461	RIGHT FRAME BRACKET - MF 283-4		01
16	0501063411	ESTABILIZER BRACKET		02
17	0511069462	LEFT FRAME MOUNTING BRACKET PD MF 283-4 TQA		01
18	0501068213	5/8" WRENCH DOUBLE		01
19	0511010153	2-5/16" FIXED WRENCH		01
20	0501038021	PACKED PARTS	9	01
21	0503030770	ADHESIVE LABEL		01
22	0501100504	BOX		01
23	0521066515	37,20 X 240 ARTICULATION SHAFT WITH HANDLE		02
24	0511059113	HOSE KIT		01
24A	0501080796	1/2" X 1400 TC-TM HOSE		04
24B	0501081077	3/4" X 3100 TC-TC HOSE ASSY		01
24C	0551012897	1.1/4 X 1500 AB-AB HOSE		01
24D	0501010610	1 X 800 AB-AB HOSE		01
25	0521061681	SUPPORT FIXER AXLE		02



Item	Code	Description	See page	QT
01	0501010080	3/8" BOLT		03
02	0501010161	1/2" X 1.1/4" BOLT		04
03	0503010752	1/2" X 3.1/2" BOLT		02
04	0503013390	3/4" UNC BOLT		08
05	0501010500	3/4"X3"BOLT		04
06	0503011313	M 8 X 1,25 X 50 BOLT		06
07	0503010201	M10 X 1,5 X 120 BOLT		02
08	0501010984	FLAT WASHER		03
09	0511017302	FLAT WASHER		04
10	0503010025	3/8" SPRING WASHER		07
11	0503010019	1/2" SPRING WASHER		06
12	0503010023	3/4" SPRING WASHER		12
13	0503010143	1/4" SPRING WASHER		03
14	0503010026	3/8" NUT		03
15	0503010014	3/4" NUT		08
16	0503010184	CLAMP		02
17	0503010243	CLAMP		02
18	0503010246	CLAMP		02
19	0501053834	MALE QUICK COUPLER WITH CAP - 1/2 NPT		02
20	0501053835	FEMALE QUICK COUPLER		02
21	0503030012	HAIR PIN		02
22	0561016756	3/4 UNC X 3/4 UNC X 56 PRISONER		04
23	0503030430	7/16 X 2" PIN LOCK		02
24	0501010322	FLAT WASHER		12





**MARCHESAN**

**Technical Publications | Elaboration and Revision**

LORENA ROCHA ALVES

[www.marchesan.com.br](http://www.marchesan.com.br)

