

PD - FRONT LOADER

PD JD 5603/5078/5085E SPECIAL BT SC GAL

Code: 0501092988

Series: S-1114

Revision: 00

Date Revision: JUNHO/2021

PARTS CATALOGUE



MARCHESAN



PRODUCTS

Code	Description
0106120060	PD JD 5603/5078/5085E ESPEC BT SC GAL S-1114

ATTENTION: IMPORTANT

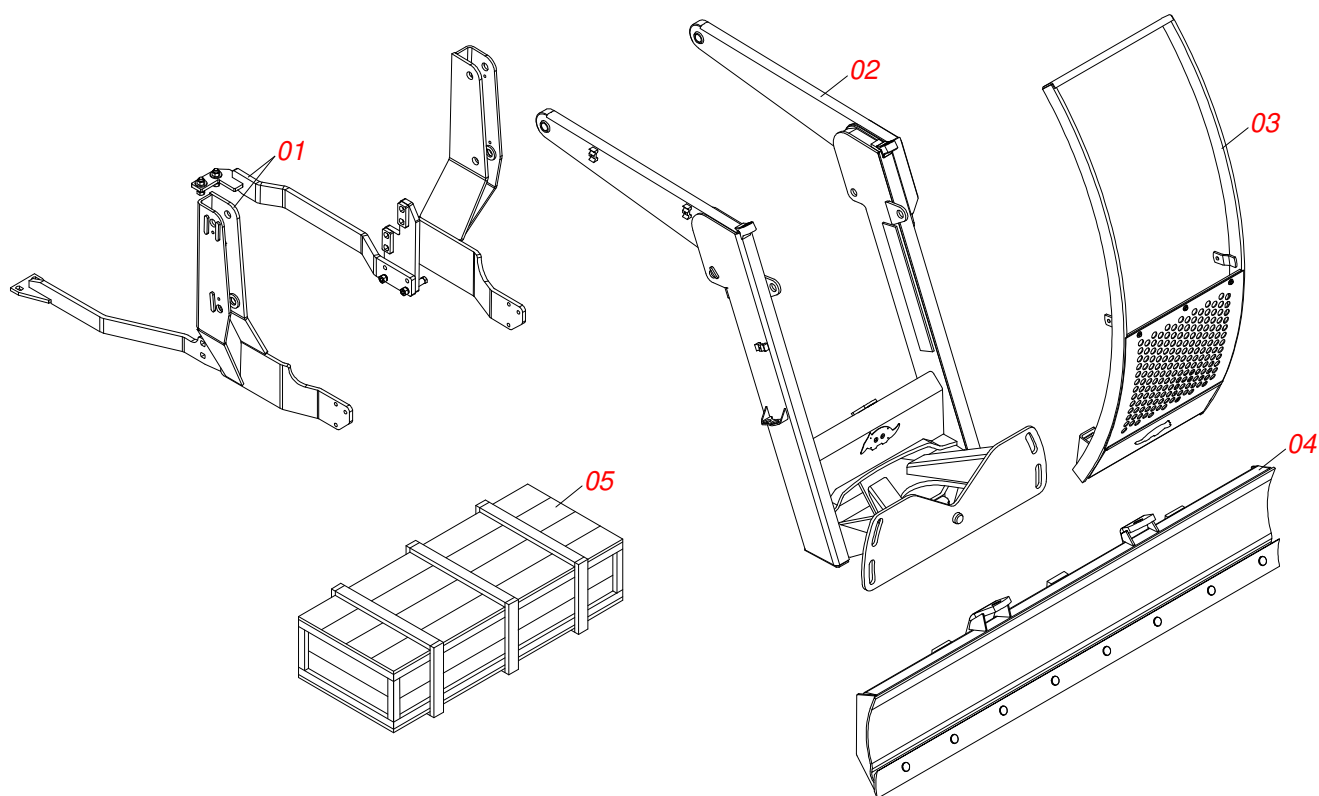
Marchesan S.A. reserves the right to improve and / or modify the technical features of its products, without obligation to do the same with those products already sold and without prior knowledge of the dealer or the consumer.



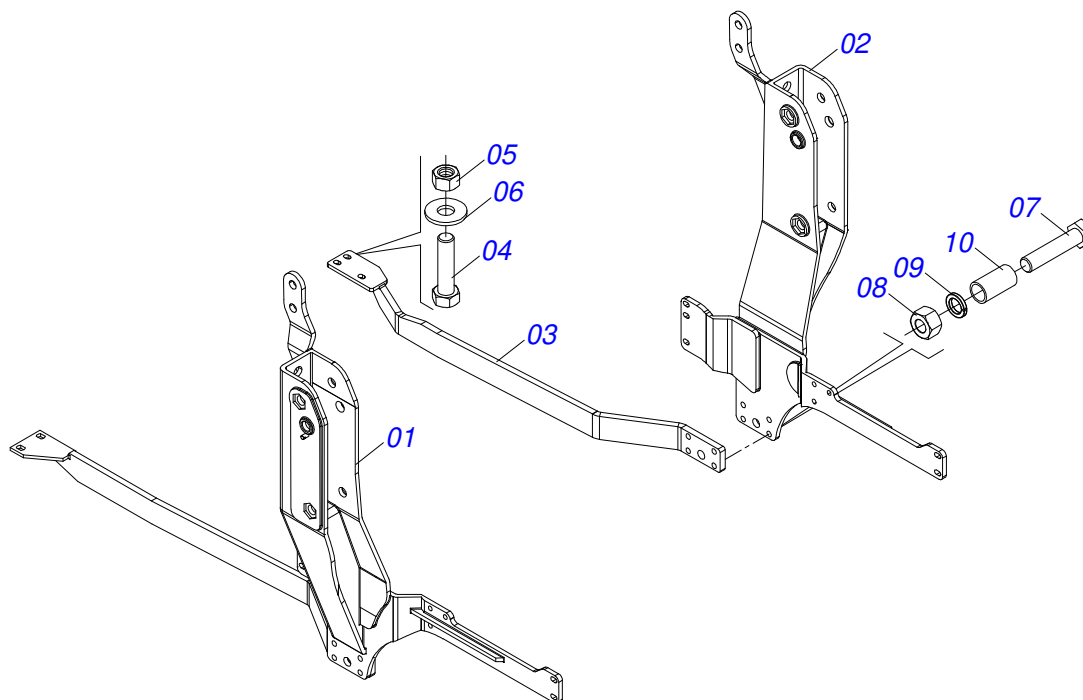
INDEX

0909090517	ASSY FRAME	1
0521045724	FRAME ASSEMBLY WITH REAR BAR	2
0511049220	ASSY MOBILE SUPPORT	3
0511049956	MOBILE SUPPORT GUIDE ASSY	4
0521040926	2000 SCRAPER DOOR WITH FIXATION	5
0521021727	BOX WITH COMPONENTS	6
0501041427	1.1/4" NC X 1540 ASSY ROD	7
0909095811	HYDRAULIC CIRCUIT	8
0501046992	HYDRAULIC CYLINDER 44,45 X 85,7 X1010 X 400 BBD	9
0501046993	HYDRAULIC CYLINDER 44,45 X 85,7 X1010 X 400 BBE	10
0501053834	MALE QUICK COUPLER WITH CAP - 1/2 NPT	11

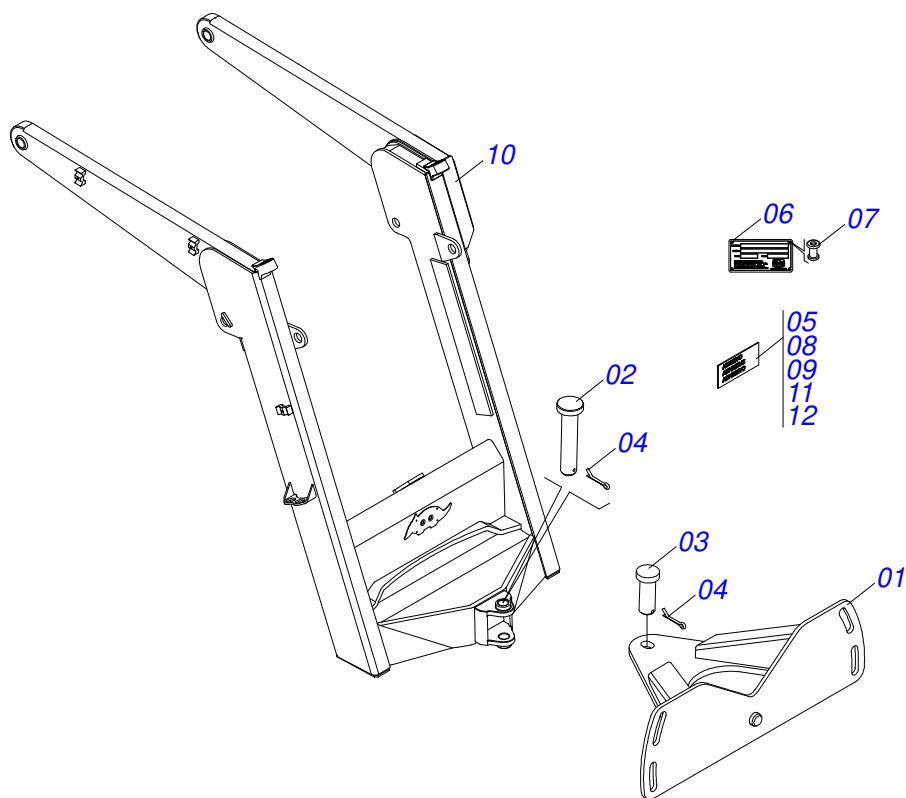
ASSY FRAME



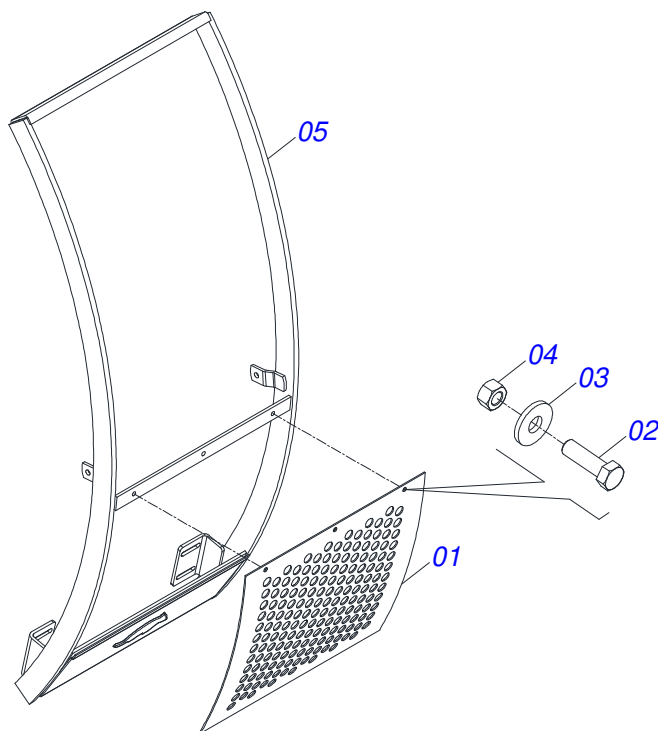
Item	Code	Description	See page	QT
01	0521045724	FRAME ASSEMBLY WITH REAR BAR	2	01
02	0511049220	ASSY MOBILE SUPPORT	3	01
03	0511049956	MOBILE SUPPORT GUIDE ASSY	4	01
04	0521040926	2000 SCRAPER DOOR WITH FIXATION	5	01
05	0521021727	BOX WITH COMPONENTS	6	01



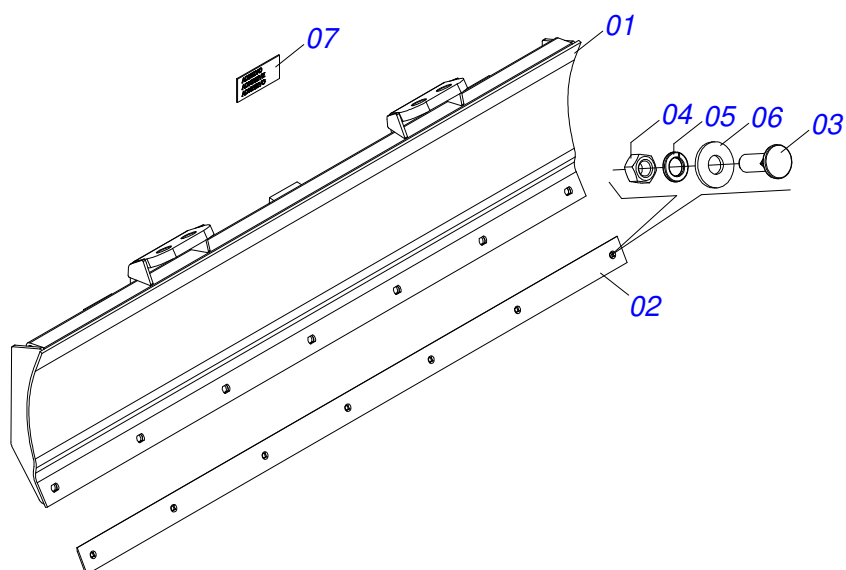
Item	Code	Description	See page	QT
01	0511069628	RIGHT FRAME		01
02	0521066066	LEFT FRAME		01
03	0521065642	LEFT FRAME ARM		01
04	0501011541	5/8" X 3" BOLT		02
05	0503010013	5/8" NUT		02
06	0501012140	FLAT WASHER		02
07	0503011084	3/4" X 5" BOLT		02
08	0503010014	3/4" NUT		02
09	0503010023	3/4" SPRING WASHER		02
10	0581015170	SLEEVE		02



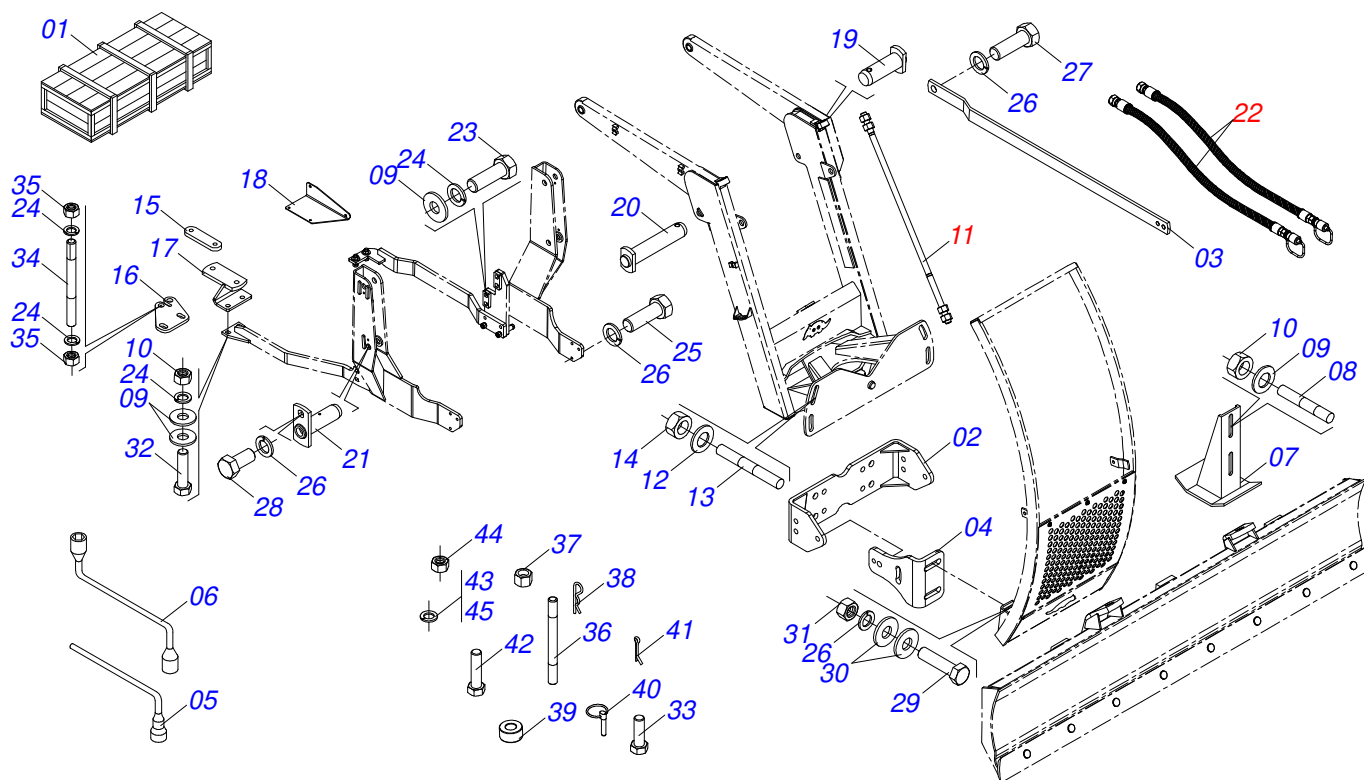
Item	Code	Description	See page	QT
01	0501062637	5/8" REGULATOR SUPPORT		01
02	0521010618	1.4" X 8.6" COUPLING SHAFT		01
03	0521010612	1.4" X 3.5" COUPLING SHAFT		01
04	0503010010	1/4" X 2.1/2" COTTERPIN		02
05	0503062270	SET LABEL ADHESIVE		01
06	0503034003	SERIAL NUMBER TAG 61 X 118		01
07	0503010001	3.2 X 5.5 RIVET		04
08	0503031428	READ MANUAL DECAL		01
09	0503031827	LUBRICATE AND RETIGHTEN DAILY DECAL		01
10	0521062943	MOBILE SUPPORT		01
11	0503034078	LIFTING POINTS DECAL		03
12	0503031087	ADHESIVE LABEL		01



Item	Code	Description	See page	QT
01	0501017431	FRONT PROTECTION		01
02	0503010751	C3/8" X 1.1/4" HEX BOLT G.5		03
03	0501010984	FLAT WASHER		03
04	0503010026	3/8" NUT		03
05	0521062696	GUIDE SUPPORT MOBILE		01



Item	Code	Description	See page	QT
01	0521063262	DOOR SCRAPER 2000 WITH FIXING FOR ROD		01
02	0622360015	2000 SCRAPER REVERSIBLE		01
03	0501012239	5/8" X 1.3/4" BOLT		08
04	0503010013	5/8" NUT		08
05	0503011445	SPRING WASHER		08
06	0501012140	FLAT WASHER		08
07	0503033429	ADHESIVE LABEL		01



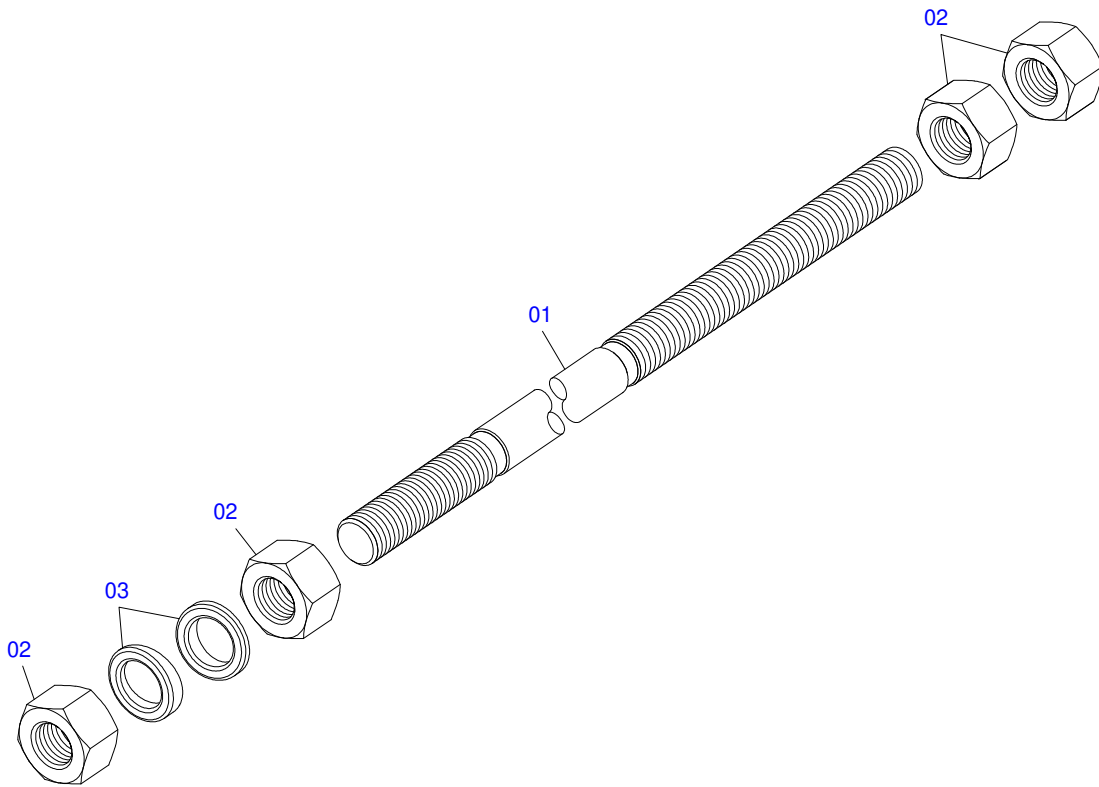
Item	Code	Description	See page	QT
01	0501100416	WOODEN BOX		01
02	0521064256	MOBILE SUPPORT GUIDE FIXER		01
03	0521065971	1235 FRENCH HAND WITH GLOVE		02
04	0571010158	FIXER GUIDE MOBILE SUPPORT		02
05	0501061617	1" GANG BOLT WRENCH		01
06	0501068213	5/8" WRENCH DOUBLE		01
07	0501063411	ESTABILIZER BRACKET		02
08	0561016756	3/4 UNC X 3/4 UNC X 56 PRISONER		04
09	0501010322	FLAT WASHER		12
10	0503010014	3/4" NUT		14
11	0501041427	1.1/4" NC X 1540 ASSY ROD	7	02
12	0501010574	FLAT WASHER		04
13	0561016755	PRISONER 1 UNC X 1 UNC X 76 ZN		04
14	0501010059	1.5/8 NUT		04
15	0561013399	FRAME SUPPORT BEARING HANGER		01
16	0561017651	DIFFERENTIAL SHOE		01
17	0521065641	LEFT FRAME MOUNTING BRACKET		01
18	0561017650	TOOL BOX HOLDER		01
19	0521063354	COUPLING SHAFT		01
20	0521063358	37,20 X 161 JOINT AXIS		01
21	0501063751	1.5" X 5.5" PIVOT SHAFT		04
22	0909095811	HYDRAULIC CIRCUIT	8	01
23	0503013104	M20 X 2,5 X 80 BOLT		08
24	0503010023	3/4" SPRING WASHER		12
25	0503011188	M16 X 2 X 50 BOLT		04
26	0503010027	5/8" SPRING WASHER		12
27	0503012693	M16 X 2 X 75 BOLT		02
28	0503010962	5/8" X 1-1/4" BOLT		08
29	0501010100	SCREW 5/8 UNC X 2 CS G.5 ZN		04
30	0501012140	FLAT WASHER		10
31	0503010013	5/8" NUT		08



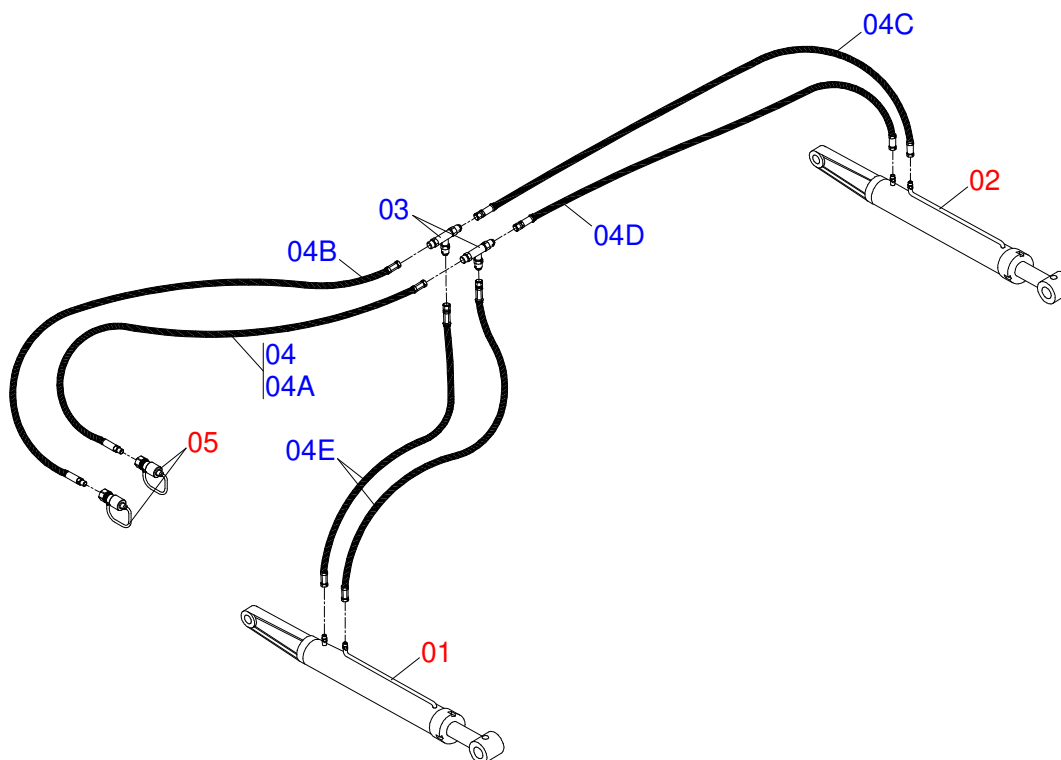
BOX WITH COMPONENTS

0521021727

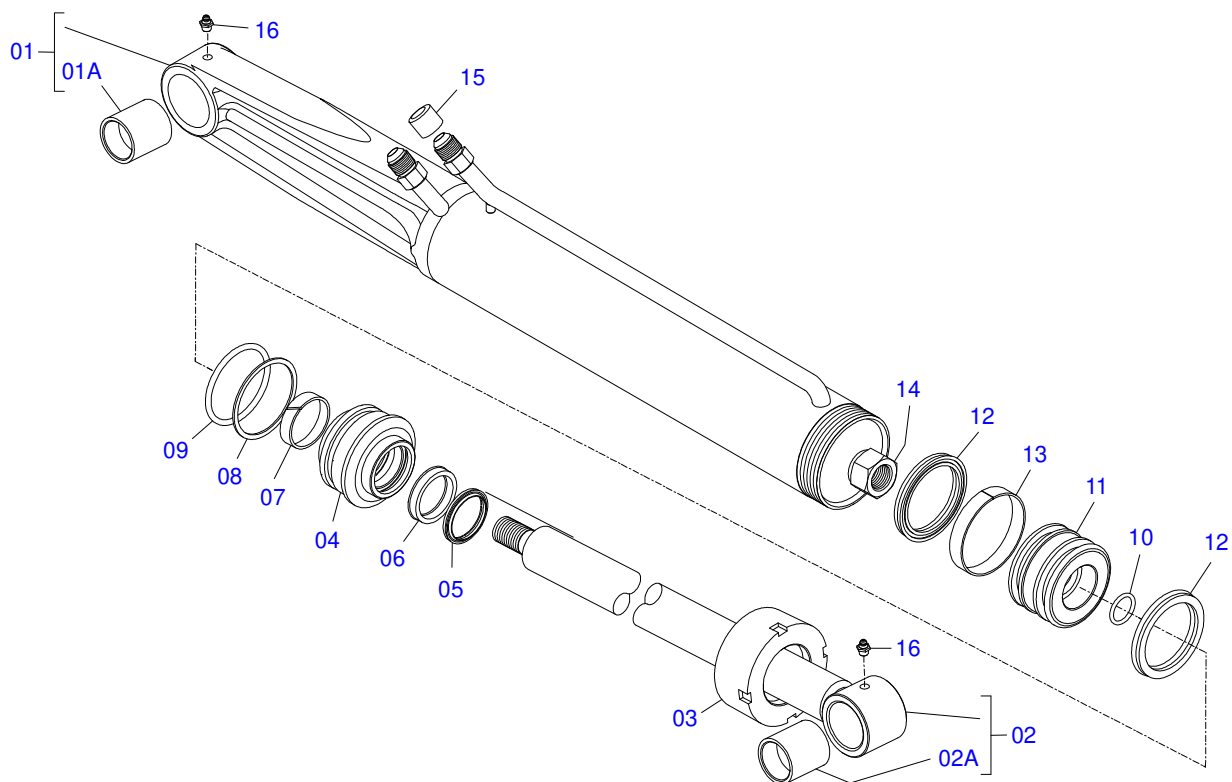
Item	Code	Description	See page	QT
32	0501010500	3/4"X3"BOLT		08
33	0503010233	5/8" X 2-1/2" BOLT		04
34	0561017654	M20 X 2.5 X 270 THREADED ROD ZN		04
35	0503015985	M20 X 2.5 ZN HEXAGONAL NUT		08
36	0503034789	PRISONER		02
37	0503019335	METRIC NUT		04
38	0503030012	HAIR PIN		02
39	0531016799	SLEEVE 34,93 X 16,50 X 20		02
40	0503030430	7/16 X 2" PIN LOCK		02
41	0503010534	3/8 X 2-1/2 COTTERPIN		02
42	0501010125	3/4" X 2-1/2" BOLT		04
43	0503010025	3/8" SPRING WASHER		03
44	0503010026	3/8" NUT		03
45	0503010012	1" SPRING WASHER		04



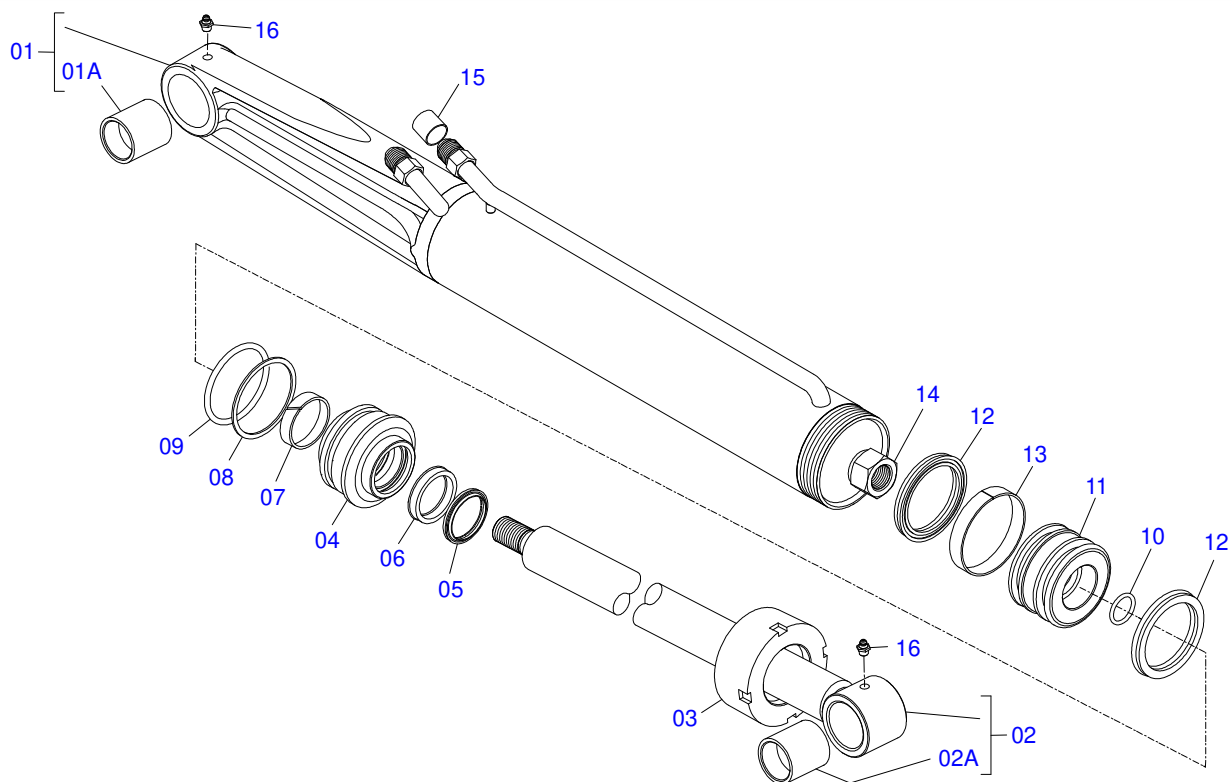
Item	Code	Description	See page	QT
01	0501014250	1.1/4" X 1540 ROD		01
02	0501010087	1.1/4" NUT		04
03	0502012180	CONICAL SPRING WASHER		02



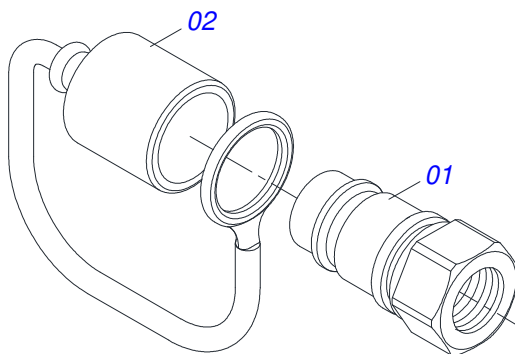
Item	Code	Description	See page	QT
01	0501046992	HYDRAULIC CYLINDER 44,45 X 85,7 X1010 X 400 9 BBD		01
02	0501046993	HYDRAULIC CYLINDER 44,45 X 85,7 X1010 X 400 10 BBE		01
03	0503013493	T CONNECTION MALE		02
04	0501059111	SET OF HOSES		01
04A	0501080020	1/2" X 850 TR-TR HOSE		01
04B	0501080172	1/2 X 1250 HOSE TR-TR		01
04C	0501080135	HOSE 1/2 X 1800 TR-TR		01
04D	0501080102	1/2" X 2200 TR-TR HOSE		01
04E	0501080245	1/2 X 2800 HOSE TR-TM		02
05	0501053834	MALE QUICK COUPLER WITH CAP - 1/2 NPT	11	04



Item	Code	Description	See page	QT
01	0501068206	RIGHT 85,72 X 855 CASE		01
01A	0521010514	38,1 X 52,9 X 50 SLEEVE INTER		01
02	0501068208	44,45 X 670 TURNBUCKLE		01
02A	0521010514	38,1 X 52,9 X 50 SLEEVE INTER		01
03	0502010993	DETACHABLE COVER		01
04	0502010781	RING SUPPORT		01
05	0503010761	D-1750 SCRAPER RING		01
06	0503010990	GASKET		01
07	0503010949	W2-2000-500 PK RING G.E		01
08	0503011060	8-336 BACK-UP RING		01
09	0503010976	2-336 N 3006-9B O'RING		01
10	0503010042	2-214 N 3006-9B O'RING		01
11	0502010843	1.8" X 3.4" PISTON		01
12	0503010170	PACKING 3120 2750		02
13	0503010948	W4-3346-590 PK RING G.E		01
14	0503010063	1" SELF-ALIGNING NUT		01
15	0503030387	PLUG		02
16	0503010002	1800 GREASE FITTING		02



Item	Code	Description	See page	QT
01	0501068207	LEFT 85,72 X 855 CASE		01
01A	0521010514	38,1 X 52,9 X 50 SLEEVE INTER		01
02	0501068208	44,45 X 670 TURNBUCKLE		01
02A	0521010514	38,1 X 52,9 X 50 SLEEVE INTER		01
03	0502010993	DETACHABLE COVER		01
04	0502010781	RING SUPPORT		01
05	0503010761	D-1750 SCRAPER RING		01
06	0503010990	GASKET		01
07	0503010949	W2-2000-500 PK RING G.E		01
08	0503011060	8-336 BACK-UP RING		01
09	0503010976	2-336 N 3006-9B O'RING		01
10	0503010042	2-214 N 3006-9B O'RING		01
11	0502010843	1.8" X 3.4" PISTON		01
12	0503010170	PACKING 3120 2750		02
13	0503010948	W4-3346-590 PK RING G.E		01
14	0503010063	1" SELF-ALIGNING NUT		01
15	0503030387	PLUG		02
16	0503010002	1800 GREASE FITTING		02



Item	Code	Description	See page	QT
01	0503011627	MALE QUICK COUPLER AGR 1/2 NPT		01
02	0503011882	MALE QUICK COUPLER CAP		01



MARCHESAN

Technical Publications | Elaboration and Revision

ALESSANDRA PATRICIA KAWAHARA CARRILI

www.marchesan.com.br

