

PCA - AGRICULTURAL FRONT LOADER

PCA 600 MF275 A 290-4 TC AD BT SC

Code: 0501092986
Series: S-0807
Revision: 00
Date Revision: AGOSTO/2021

PARTS CATALOGUE



MARCHESAN



PRODUCTS

| Code | Description |
|------------|------------------------------------|
| 0106111150 | PCA 600 MF 275 A 290-4 TC AD BT SC |

ATTENTION: IMPORTANT

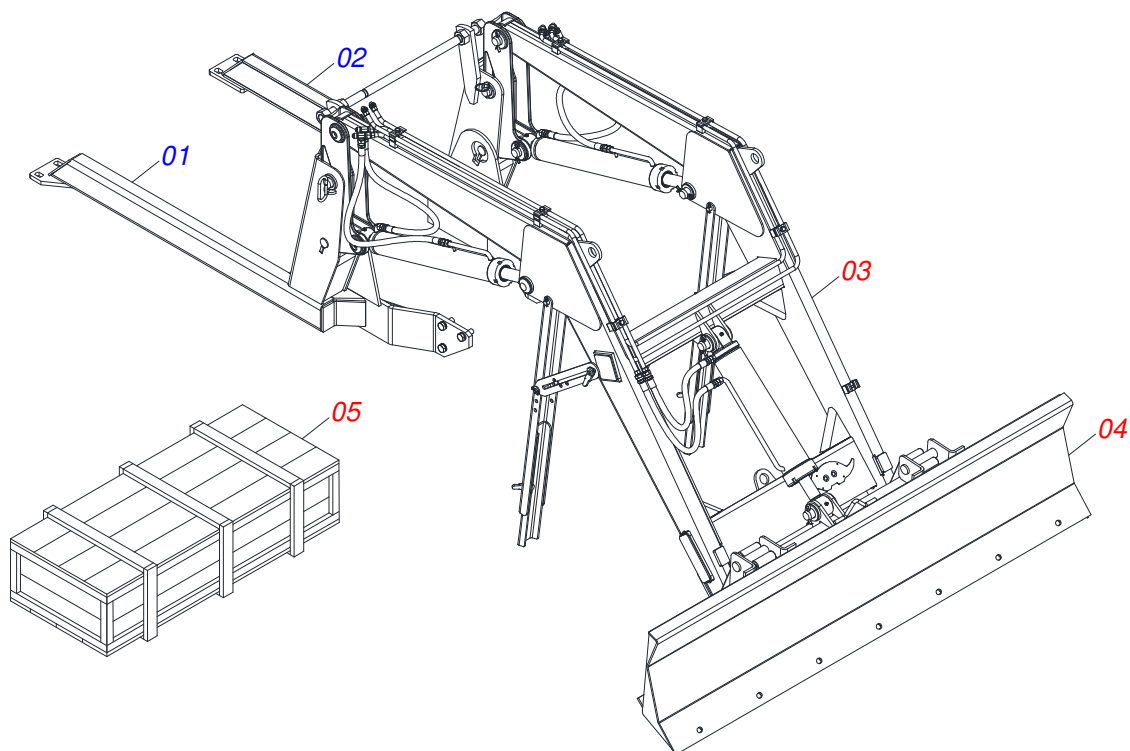
Marchesan S.A. reserves the right to improve and / or modify the technical features of its products, without obligation to do the same with those products already sold and without prior knowledge of the dealer or the consumer.



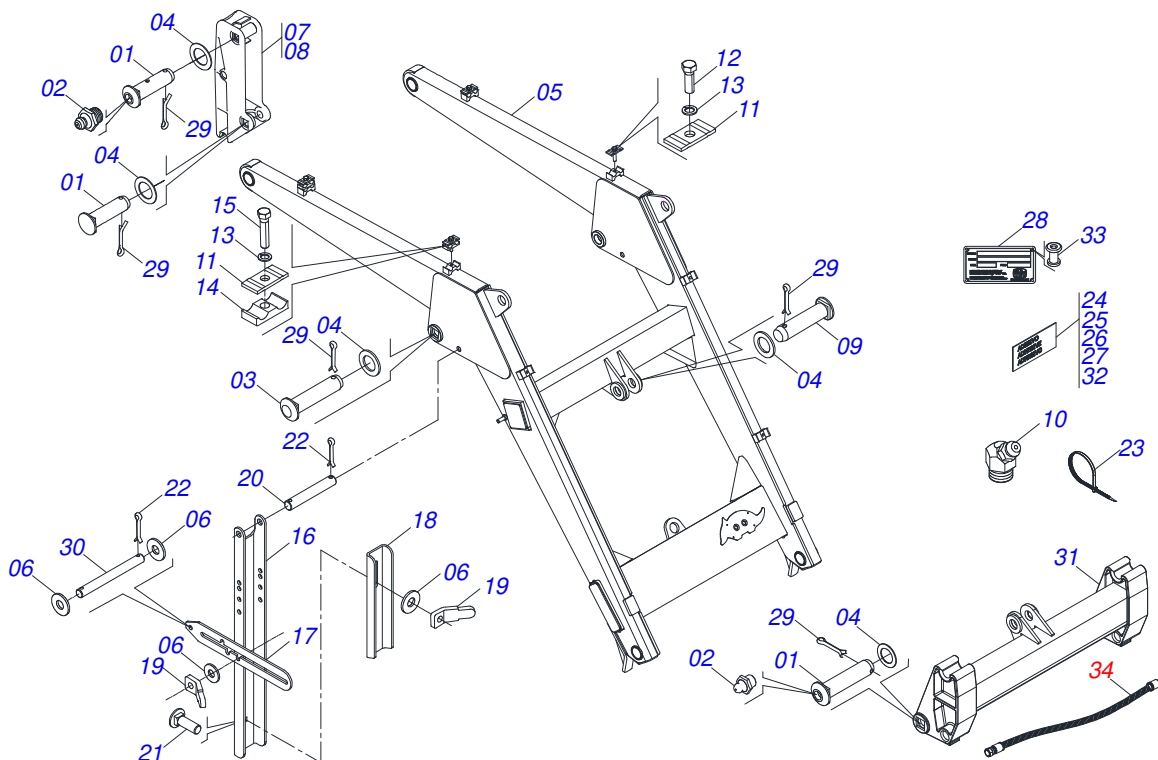
MARCHESAN

INDEX

| | | | |
|------------|---|-------|----|
| 0106111150 | PCA 600 MF 275 A 290-4 TC AD BT SC | | 1 |
| 0501048786 | MOBILE SUPPORT | | 2 |
| 0909094775 | HYDRAULIC CIRCUIT OF MOBILE SUPPORT | | 3 |
| 0511047849 | LDA 2200 WITHOUT SUPPORT | | 4 |
| 0521050762 | 44,45 X 76,20 X 865 X 555 HYDRAULIC CYLINDER | | 5 |
| 0521052272 | 44,45 X 101,60 X 668 X 418 HYDRAULIC CYLINDER - PCA 600 | | 6 |
| 0511057773 | R.3/4 UNF SAFETY VALVE ASSEMBLY - PD/PCA | | 7 |
| 0511025153 | COMPONENTS BOX | | 8 |
| 0501042819 | 1.1/4"NC X 33.46" ROD ASSY | | 9 |
| 0501037935 | PACKED PARTS | | 10 |
| 0501053834 | MALE QUICK COUPLER WITH CAP - 1/2 NPT | | 11 |



| Item | Code | Description | See page | QT |
|------|------------|--------------------------|----------|----|
| 01 | 0511069156 | RIGHT FRAME | | 01 |
| 02 | 0511069140 | LEFT FRAME | | 01 |
| 03 | 0501048786 | MOBILE SUPPORT | 2 | 01 |
| 04 | 0511047849 | LDA 2200 WITHOUT SUPPORT | 4 | 01 |
| 05 | 0511025153 | COMPONENTS BOX | 8 | 01 |



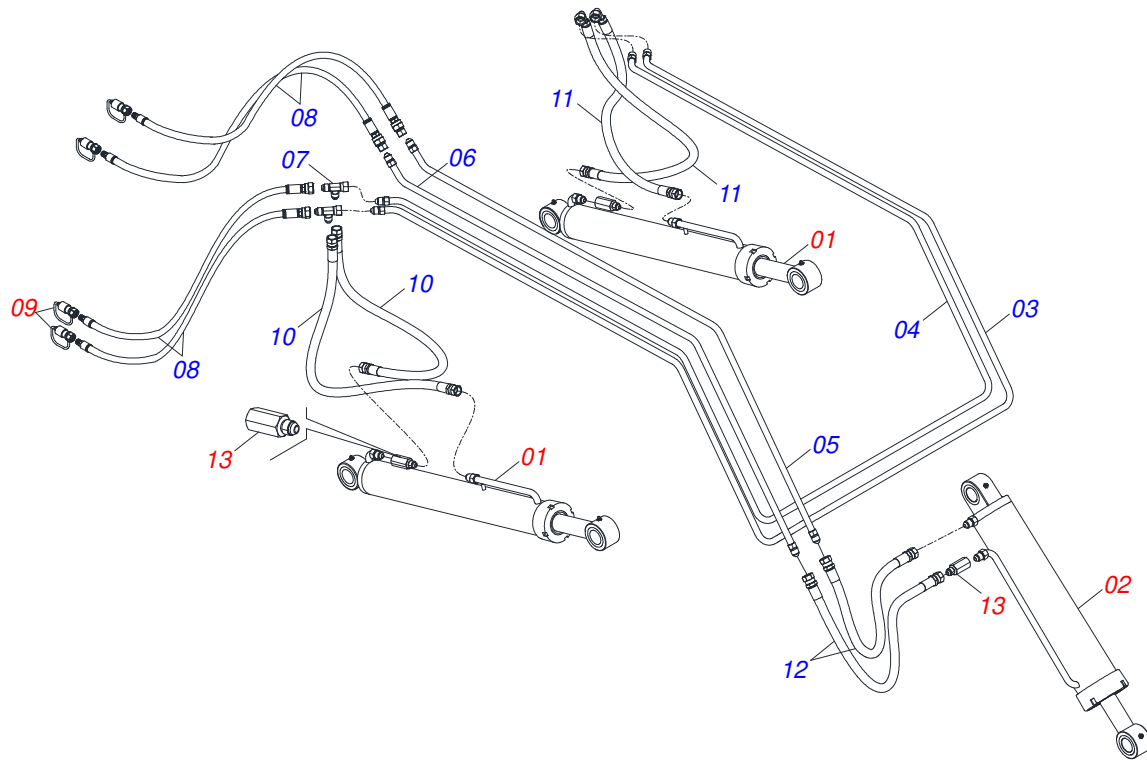
| Item | Code | Description | See page | QT |
|------|------------|-------------------------------------|----------|----|
| 01 | 0511019519 | 1.5" X 1.4" PIVOT SHAFT | | 06 |
| 02 | 0503010002 | 1800 GREASE FITTING | | 06 |
| 03 | 0511019521 | 1.5" X 1.4" PIVOT SHAFT | | 02 |
| 04 | 0511019685 | FLAT WASHER | | 08 |
| 05 | 0501068663 | MOBILE SUPPORT | | 01 |
| 06 | 0511017302 | FLAT WASHER | | 08 |
| 07 | 0502012382 | RIGHT MOBILE TOWER | | 01 |
| 08 | 0502012381 | LEFT MOBILE TOWER | | 01 |
| 09 | 0521010904 | 1.5" X 1.4" PIVOT SHAFT | | 02 |
| 10 | 0503010003 | 1845 GREASE FITTING | | 02 |
| 11 | 0531011180 | UPPER BODY CLIP | | 06 |
| 12 | 0503011102 | BOLT 7/16 UNC X 1.1/4 C S G.5 ZN | | 03 |
| 13 | 0503010180 | 7/16" SPRING WASHER | | 06 |
| 14 | 0502010477 | HOSE CLAMP | | 03 |
| 15 | 0503012555 | SCREW 7/16 UNC X 2 CS RT G.7 ZN | | 03 |
| 16 | 0561016401 | PLOUGH SUPPORT BODY | | 02 |
| 17 | 0511019634 | CONTROL LOCK | | 02 |
| 18 | 0561016619 | COMPLEMENTON REST | | 02 |
| 19 | 0561016329 | LATCH HOLDER REST PCA | | 04 |
| 20 | 0511013598 | 3/4" X 4.7" COUPLING SHAFT | | 02 |
| 21 | 0503014378 | 1/2" X 1-1/2" BOLT | | 02 |
| 22 | 0503010071 | 3/16" X 1" COTTERPIN | | 08 |
| 23 | 0503013527 | CLAMP ZIPER | | 04 |
| 24 | 0503031087 | ADHESIVE LABEL | | 01 |
| 25 | 0503062214 | ASSY LABEL ADHESIVE | | 01 |
| 26 | 0503031428 | READ MANUAL DECAL | | 01 |
| 27 | 0503031827 | LUBRICATE AND RETIGHTEN DAILY DECAL | | 01 |
| 28 | 0503034003 | SERIAL NUMBER TAG 61 X 118 | | 01 |
| 29 | 0503010534 | 3/8 X 2-1/2 COTTERPIN | | 10 |
| 30 | 0521012823 | COUPLING SHAFT | | 02 |
| 31 | 0501068598 | JOINT SUPPORT | | 01 |



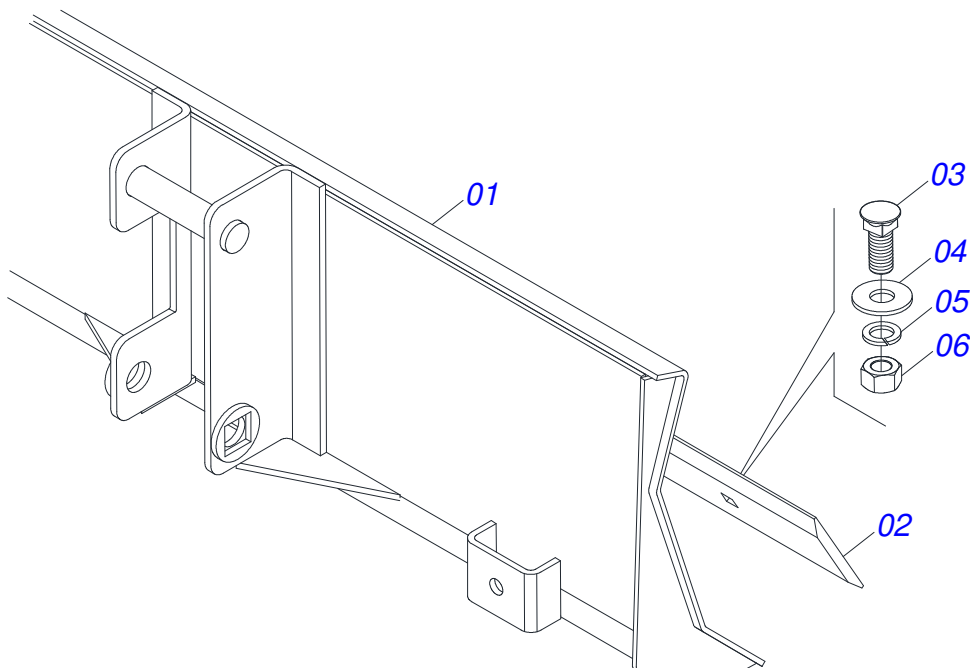
MOBILE SUPPORT

0501048786

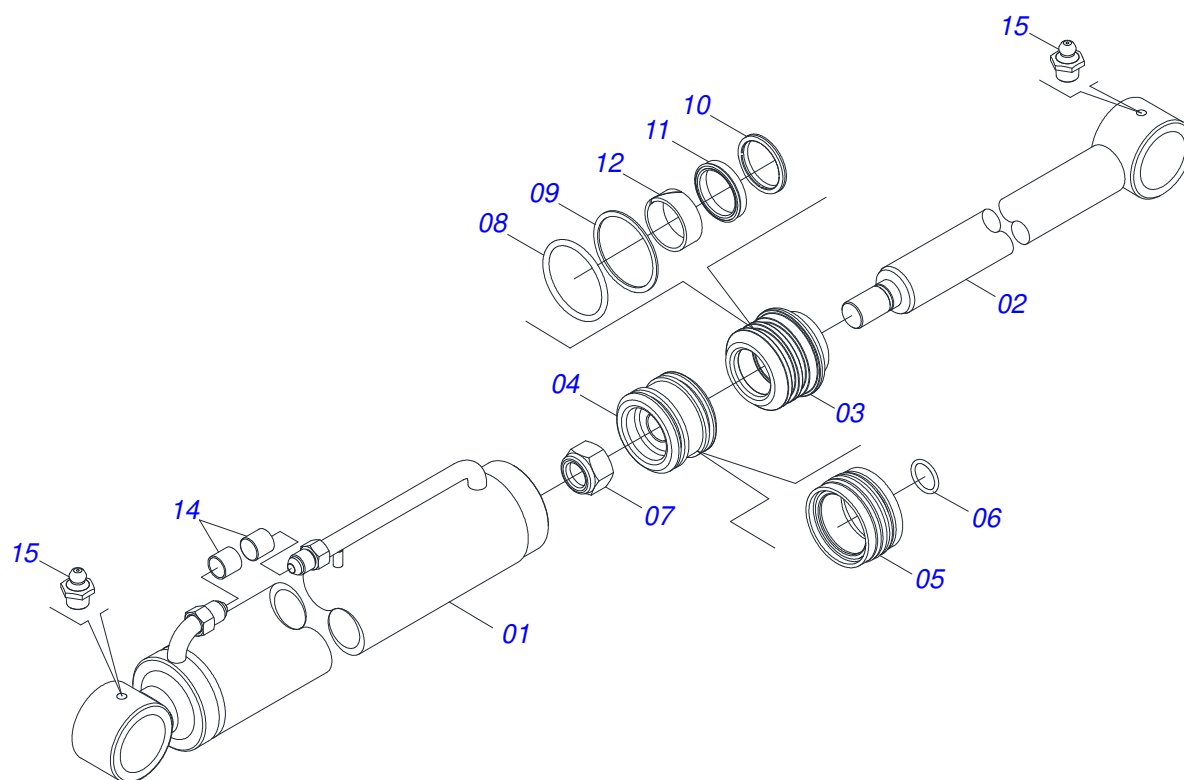
| Item | Code | Description | See page | QT |
|------|------------|-------------------------------------|----------|----|
| 32 | 0503034078 | LIFTING POINTS DECAL | | 03 |
| 33 | 0503010001 | 3.2 X 5.5 RIVET | | 04 |
| 34 | 0909094775 | HYDRAULIC CIRCUIT OF MOBILE SUPPORT | 3 | 01 |



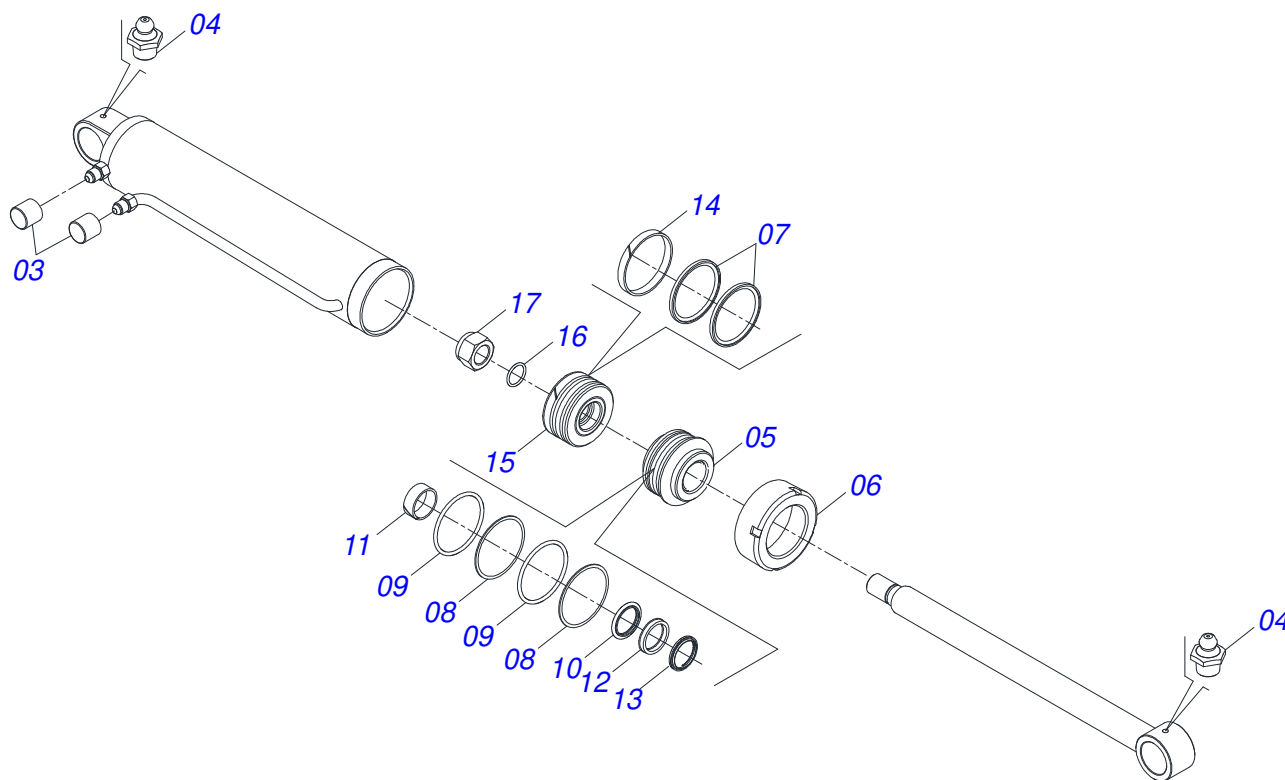
| Item | Code | Description | See page | QT |
|------|------------|--|----------|----|
| 01 | 0521050762 | 44,45 X 76,20 X 865 X 555 HYDRAULIC CYLINDER | 5 | 02 |
| 02 | 0521052272 | 44,45 X 101,60 X 668 X 418 HYDRAULIC CYLINDER - PCA 600 | 6 | 01 |
| 03 | 0501068622 | OUTER OIL TUBE | | 01 |
| 04 | 0501068621 | INNER OIL TUBE | | 01 |
| 05 | 0501068615 | OIL TUBE ASSY | | 01 |
| 06 | 0521062856 | INTERNAL LOWER OIL DISTRIBUTOR | | 01 |
| 07 | 0503011968 | 3/4" 8R6X-S T ADAPTER WITH SWIVEL NUT | | 02 |
| 08 | 0501081124 | HOSE 3/8" X 4200-TM TR | | 04 |
| 09 | 0501053834 | MALE QUICK COUPLER WITH CAP - 1/2 NPT | 11 | 08 |
| 10 | 0501080105 | TR-TR HOSE ASSY | | 02 |
| 11 | 0501080413 | 3/8" X 27" TR-TC HOSE | | 02 |
| 12 | 0501080635 | 3/8" X 19" TR-TR HOSE | | 02 |
| 13 | 0511057773 | R.3/4 UNF SAFETY VALVE ASSEMBLY - PD/PCA | 7 | 03 |



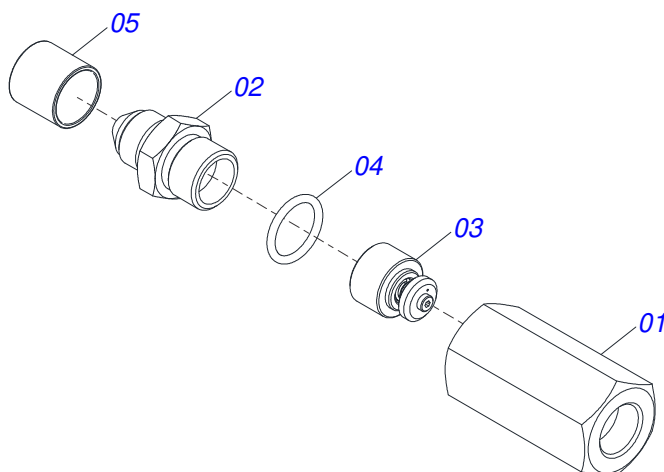
| Item | Code | Description | See page | QT |
|------|------------|---------------------------|----------|----|
| 01 | 0511064165 | BLADE FRONT | | 01 |
| 02 | 0531019518 | SCRAPER 2220 X 6 X 1/2 | | 01 |
| 03 | 0501012239 | 5/8" X 1.3/4" BOLT | | 07 |
| 04 | 0571010265 | 16.5 X 40 X 3 FLAT WASHER | | 07 |
| 05 | 0503011445 | SPRING WASHER | | 07 |
| 06 | 0503010013 | 5/8" NUT | | 07 |



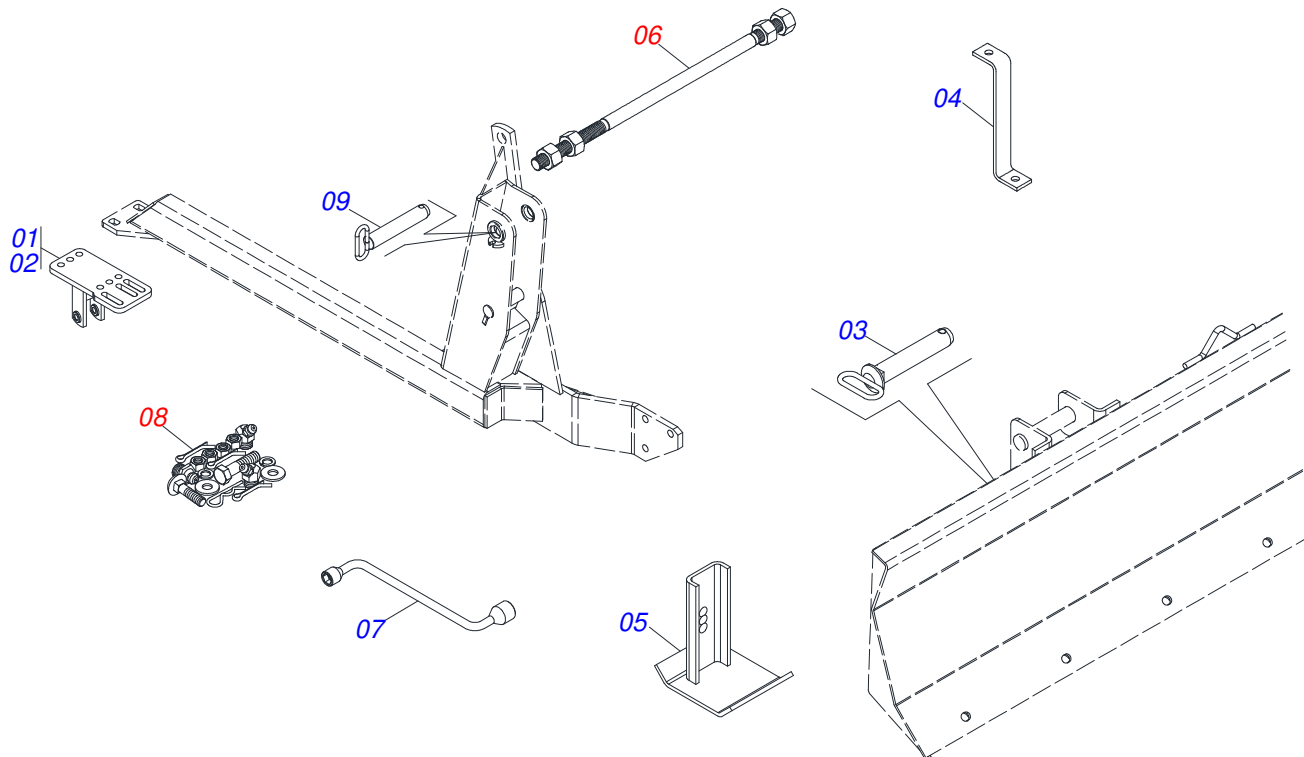
| Item | Code | Description | See page | QT |
|------|------------|---------------------------|----------|----|
| 01 | 0511071163 | 76,20 X 740 CYLINDER CASE | | 01 |
| 02 | 0521066424 | AIR TURNBUCKLE | | 01 |
| 03 | 0581010301 | RING SUPPORT | | 01 |
| 04 | 0581010304 | PISTON | | 01 |
| 05 | 0503018136 | ZW 007600260 AGEL RING | | 01 |
| 06 | 0503010042 | 2-214 N 3006-9B O'RING | | 01 |
| 07 | 0503010063 | 1" SELF-ALIGNING NUT | | 01 |
| 08 | 0503010343 | 2-334 N 3006-9B O'RING | | 02 |
| 09 | 0503011059 | 8-334 BACK-UP RING | | 02 |
| 10 | 0503010761 | D-1750 SCRAPER RING | | 01 |
| 11 | 0503017937 | GASKET | | 01 |
| 12 | 0503017938 | RING GUIDE | | 01 |
| 13 | 0502011899 | MOBILE COVER | | 01 |
| 14 | 0503030385 | CYLINDER PLUG N-002 | | 02 |
| 15 | 0503010002 | 1800 GREASE FITTING | | 02 |



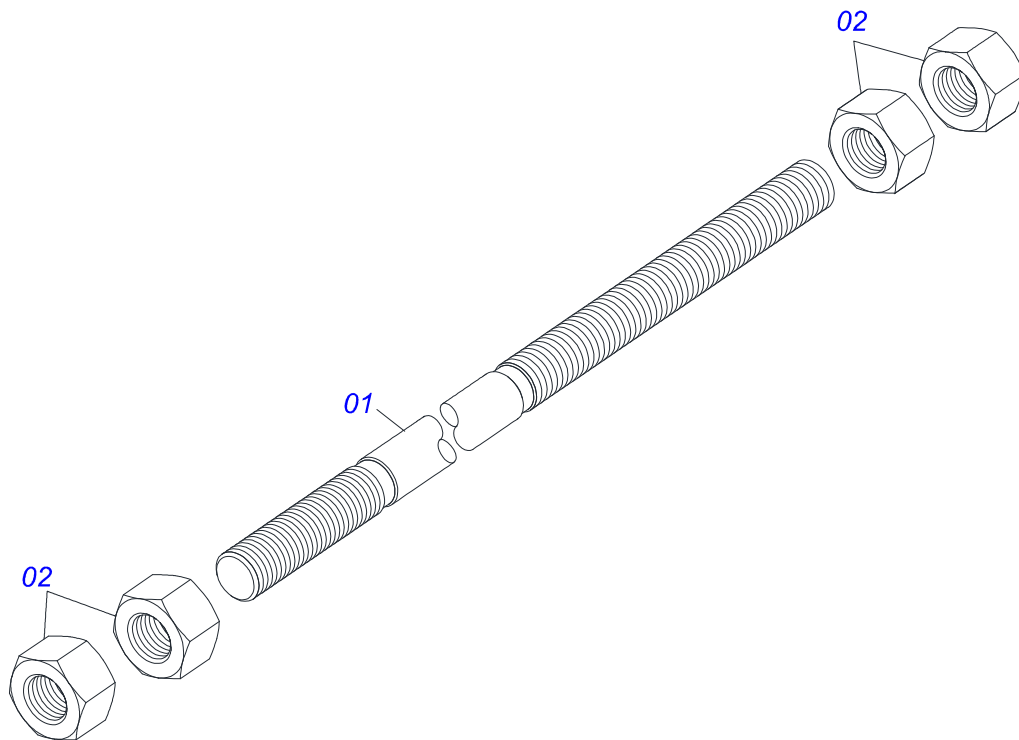
| Item | Code | Description | See page | QT |
|------|------------|--------------------------------------|----------|----|
| 01 | 0521068443 | 101,60 X 548 CYLINDER BODY - PCA 600 | | 01 |
| 02 | 0521068362 | 44,45 X 610 EXTENDER - PCA 600 | | 01 |
| 03 | 0503030385 | CYLINDER PLUG N-002 | | 02 |
| 04 | 0503010002 | 1800 GREASE FITTING | | 02 |
| 05 | 0581010302 | RING OF SUPPORT | | 01 |
| 06 | 0502012822 | 101.60 END CAP | | 01 |
| 07 | 0503018158 | OE 101605200211D-BR RING BS | | 02 |
| 08 | 0503011061 | 8-342 BACK-UP RING | | 02 |
| 09 | 0503010338 | 2-342 N 3006-9B O'RING | | 02 |
| 10 | 0503017936 | RING | | 01 |
| 11 | 0503017938 | RING GUIDE | | 01 |
| 12 | 0503017937 | GASKET | | 01 |
| 13 | 0503010761 | D-1750 SCRAPER RING | | 01 |
| 14 | 0503010994 | W2-4000-500 PK RING G.E | | 01 |
| 15 | 0581010303 | PISTON 4 - PCA 600 | | 01 |
| 16 | 0503018029 | 2-217 O'RING | | 01 |
| 17 | 0503010817 | 1.1/4" SELF LOCKING NUT | | 01 |



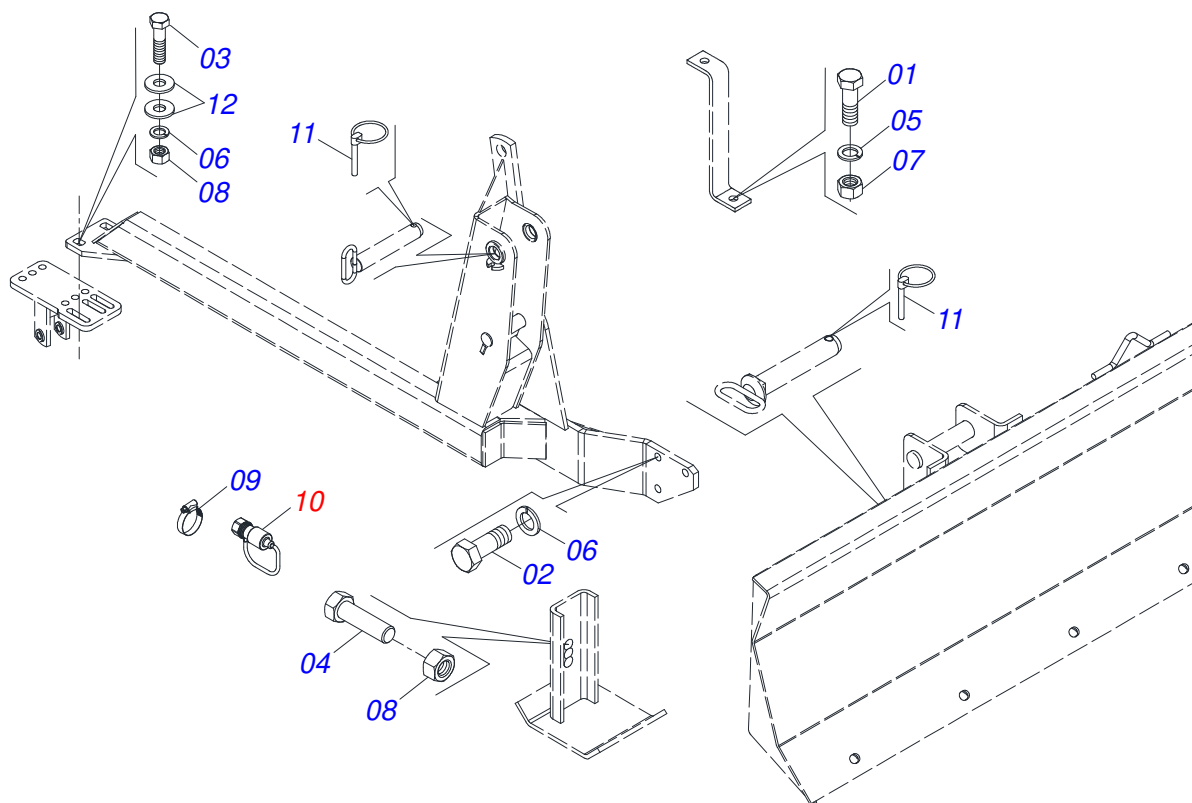
| Item | Code | Description | See page | QT |
|------|------------|---------------------|----------|----|
| 001 | 0581014055 | ADAPTER | | 01 |
| 002 | 0581014054 | BSP 1/2" NIPPLE | | 01 |
| 003 | 0503016854 | VALVE ASSY | | 01 |
| 004 | 0503010045 | O'RING | | 01 |
| 005 | 0503030385 | CYLINDER PLUG N-002 | | 01 |



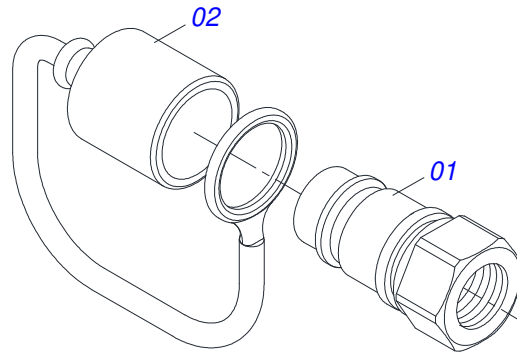
| Item | Code | Description | See page | QT |
|------|------------|----------------------------------|----------|----|
| 01 | 0511069461 | RIGHT FRAME BRACKET - MF 283-4 | | 01 |
| 02 | 0511069462 | LEFT FRAME MOUNTING BRACKET | | 01 |
| 03 | 0511064616 | 1.5" X 6.9" COUPLING SHAFT | | 02 |
| 04 | 0551016975 | HEADLIGHT SUPPORT - MF 299-4 ADV | | 02 |
| 05 | 0511064780 | SHOE SLIDE LIGHT STABILIZING | | 02 |
| 06 | 0501042819 | 1.1/4"NC X 33.46" ROD ASSY | 9 | 01 |
| 07 | 0501068213 | 5/8" WRENCH DOUBLE | | 01 |
| 08 | 0501037935 | PACKED PARTS | 10 | 01 |
| 09 | 0521063680 | HITCH PIN (185) | | 02 |



| Item | Code | Description | See page | QT |
|------|------------|---------------------|----------|----|
| 01 | 0501018845 | 1.1/4" X 33.46" ROD | | 01 |
| 02 | 0501010087 | 1.1/4" NUT | | 04 |



| Item | Code | Description | See page | QT |
|------|------------|---------------------------------------|----------|----|
| 01 | 0503010237 | 3/8" X 1" BOLT | | 02 |
| 02 | 0501010098 | 3/4" UNC BOLT | | 06 |
| 03 | 0501010500 | 3/4"X3"BOLT | | 04 |
| 04 | 0501018246 | 3/4" X 3" BOLT | | 02 |
| 05 | 0503010025 | 3/8" SPRING WASHER | | 02 |
| 06 | 0503010023 | 3/4" SPRING WASHER | | 10 |
| 07 | 0503010026 | 3/8" NUT | | 02 |
| 08 | 0503010014 | 3/4" NUT | | 04 |
| 09 | 0503010243 | CLAMP | | 02 |
| 10 | 0501053834 | MALE QUICK COUPLER WITH CAP - 1/2 NPT | 11 | 04 |
| 11 | 0503030430 | 7/16 X 2" PIN LOCK | | 04 |
| 12 | 0501010322 | FLAT WASHER | | 08 |



| Item | Code | Description | See page | QT |
|------|------------|--------------------------------|----------|----|
| 01 | 0503011627 | MALE QUICK COUPLER AGR 1/2 NPT | | 01 |
| 02 | 0503011882 | MALE QUICK COUPLER CAP | | 01 |



MARCHESAN

Technical Publications | Elaboration and Revision

MARINA PEREZ NIZA

www.marchesan.com.br

