

PD - FRONT LOADER

PD JD 6415-4CL/6110/6125EJ BTSC

Code: 0501092984
Series: S-0808
Revision: 00
Date Revision: JUNHO/2021

PARTS CATALOGUE



MARCHESAN



PRODUCTS

| Code | Description |
|------------|---------------------------------|
| 0106120026 | PD JD 6415-4CL/6110/6125EJ BTSC |

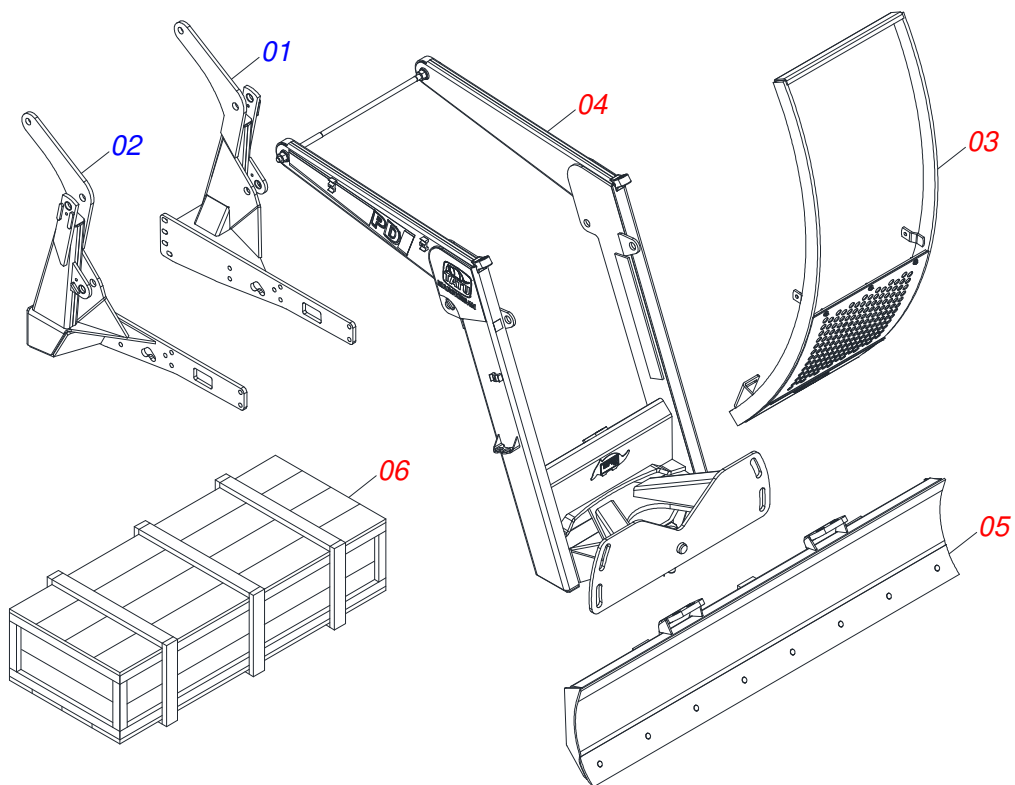
ATTENTION: IMPORTANT

Marchesan S.A. reserves the right to improve and / or modify the technical features of its products, without obligation to do the same with those products already sold and without prior knowledge of the dealer or the consumer.

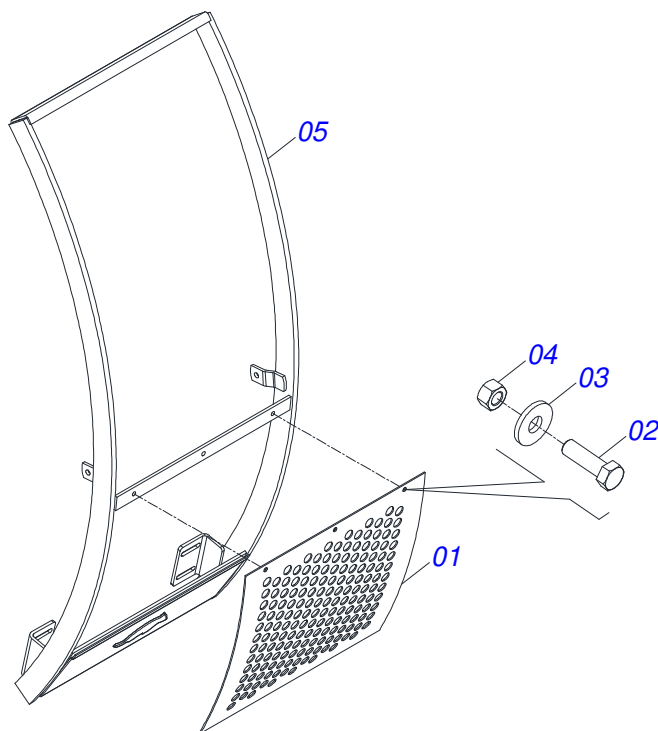


INDEX

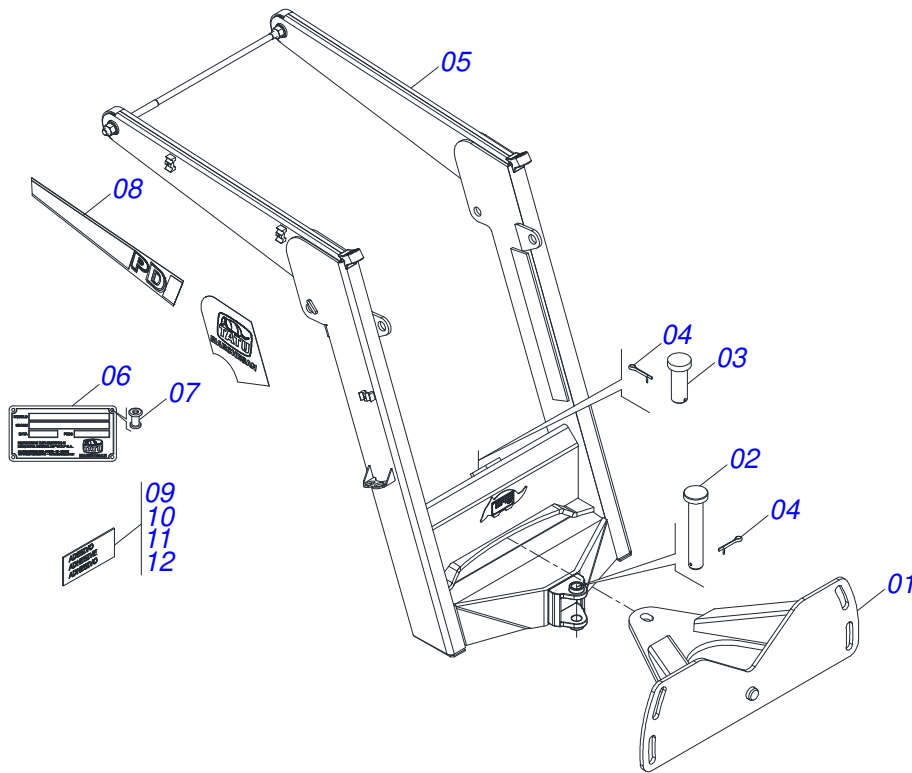
| | | | |
|------------|---------------------------------------|-------|----|
| 0106120026 | PD JD 6415-4CL/6110/6125EJ BTSC | | 1 |
| 0511049956 | MOBILE SUPPORT GUIDE ASSY | | 2 |
| 0521040730 | MOBILE SUPPORT ASSY | | 3 |
| 0501047708 | 2400 BLADE SUPPORT | | 4 |
| 0511024280 | BOX WITH COMPONENTS | | 5 |
| 0511058451 | HYDRAULIC CYLINDER | | 6 |
| 0511058446 | HYDRAULIC CYLINDER | | 7 |
| 0909095812 | HYDRAULIC CIRCUIT | | 8 |
| 0501041427 | 1.1/4" NC X 1540 ASSY ROD | | 9 |
| 0501041849 | FULL 1.1/4" NC X 910 ROD | | 10 |
| 0501037426 | PACKED PARTS | | 11 |
| 0501053834 | MALE QUICK COUPLER WITH CAP - 1/2 NPT | | 12 |



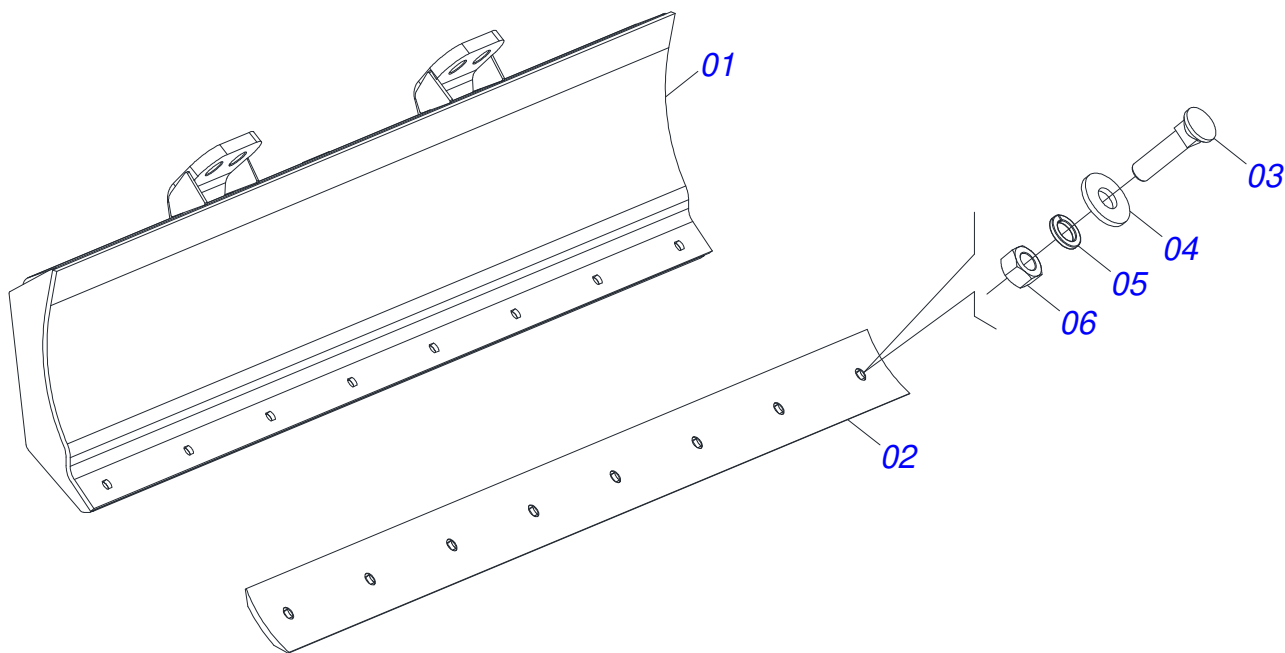
| Item | Code | Description | See page | QT |
|------|------------|---------------------------|----------|----|
| 01 | 0511067196 | LEFT FRAME | | 01 |
| 02 | 0511067197 | RIGHT FRAME | | 01 |
| 03 | 0511049956 | MOBILE SUPPORT GUIDE ASSY | 2 | 01 |
| 04 | 0521040730 | MOBILE SUPPORT ASSY | 3 | 01 |
| 05 | 0501047708 | 2400 BLADE SUPPORT | 4 | 01 |
| 06 | 0511024280 | BOX WITH COMPONENTS | 5 | 01 |



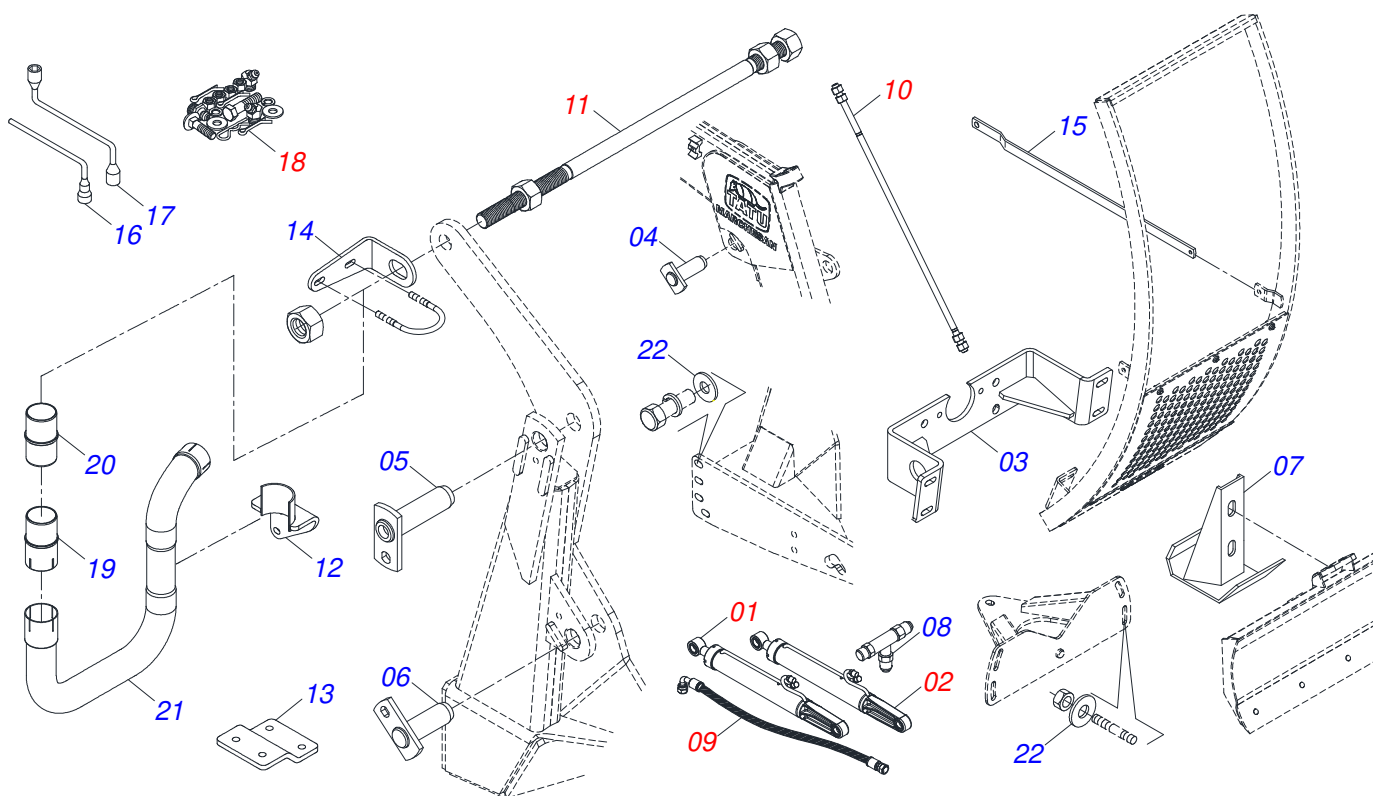
| Item | Code | Description | See page | QT |
|------|------------|-----------------------------|----------|----|
| 01 | 0501017431 | FRONT PROTECTION | | 01 |
| 02 | 0503010751 | C3/8" X 1.1/4" HEX BOLT G.5 | | 03 |
| 03 | 0501010984 | FLAT WASHER | | 03 |
| 04 | 0503010026 | 3/8" NUT | | 03 |
| 05 | 0521062696 | GUIDE SUPPORT MOBILE | | 01 |



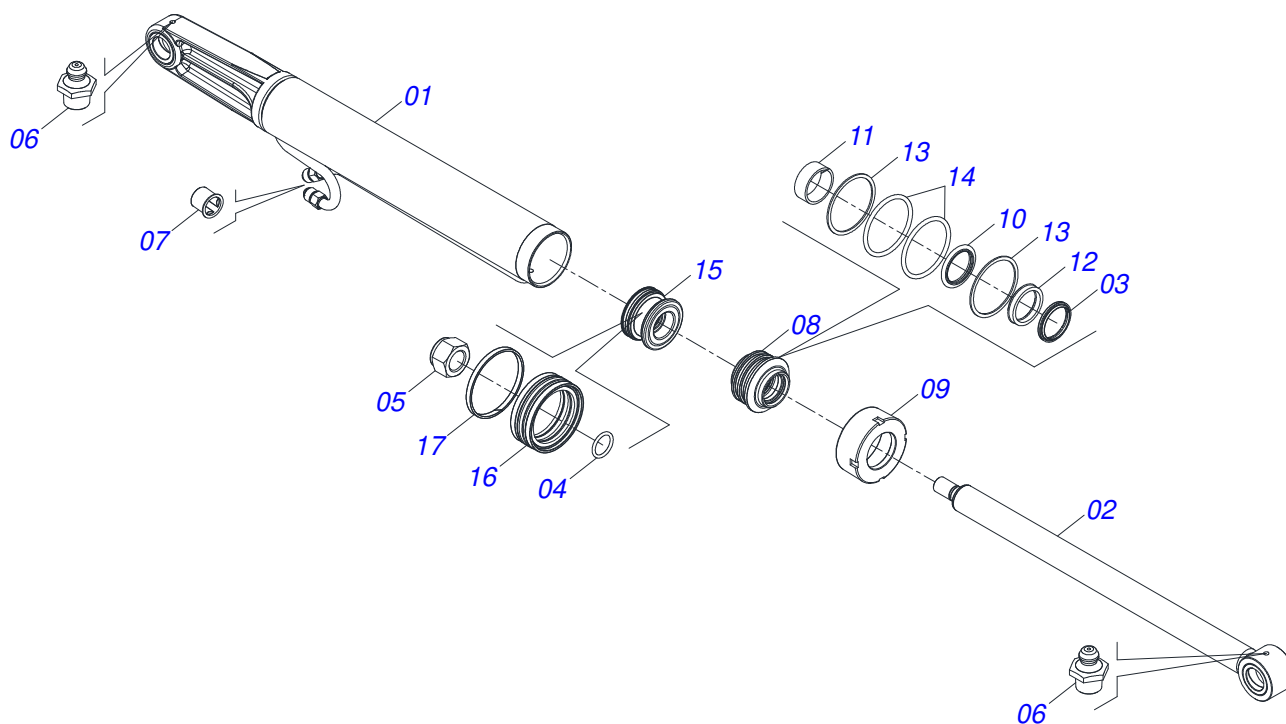
| Item | Code | Description | See page | QT |
|------|------------|-------------------------------------|----------|----|
| 01 | 0501062637 | 5/8" REGULATOR SUPPORT | | 01 |
| 02 | 0521010618 | 1.4" X 8.6" COUPLING SHAFT | | 01 |
| 03 | 0521010612 | 1.4" X 3.5" COUPLING SHAFT | | 01 |
| 04 | 0503010010 | 1/4" X 2.1/2" COTTERPIN | | 02 |
| 05 | 0521062944 | MOBILE SUPPORT PD JD 6300 | | 01 |
| 06 | 0503034003 | SERIAL NUMBER TAG 61 X 118 | | 01 |
| 07 | 0503010001 | 3.2 X 5.5 RIVET | | 04 |
| 08 | 0503062270 | SET LABEL ADHESIVE | | 01 |
| 09 | 0503031428 | READ MANUAL DECAL | | 01 |
| 10 | 0503031827 | LUBRICATE AND RETIGHTEN DAILY DECAL | | 01 |
| 11 | 0503034078 | LIFTING POINTS DECAL | | 03 |
| 12 | 0503031087 | ADHESIVE LABEL | | 01 |



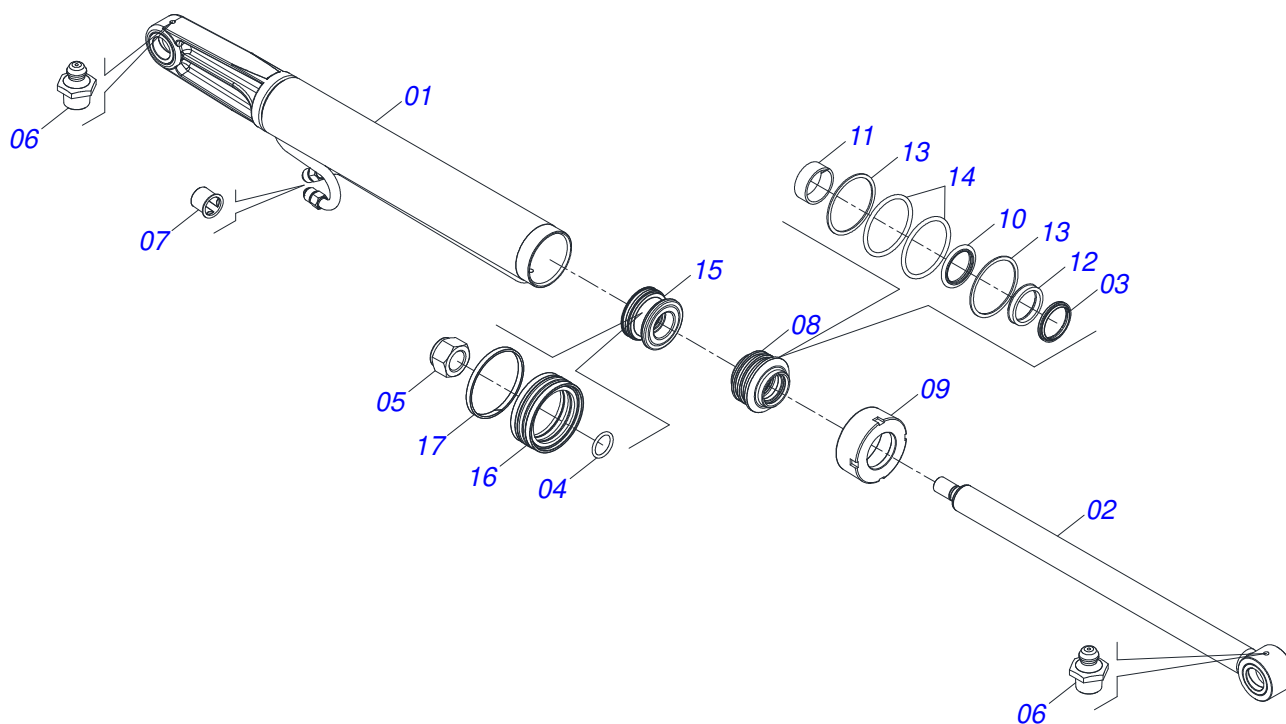
| Item | Code | Description | See page | QT |
|------|------------|--------------------------|----------|----|
| 01 | 0501067999 | 2390 BLADE SUPPORT | | 01 |
| 02 | 0622360016 | 94.5" SCRAPER REVERSIBLE | | 01 |
| 03 | 0501012240 | BOLT | | 08 |
| 04 | 0501012140 | FLAT WASHER | | 08 |
| 05 | 0503011445 | SPRING WASHER | | 08 |
| 06 | 0503010013 | 5/8" NUT | | 08 |



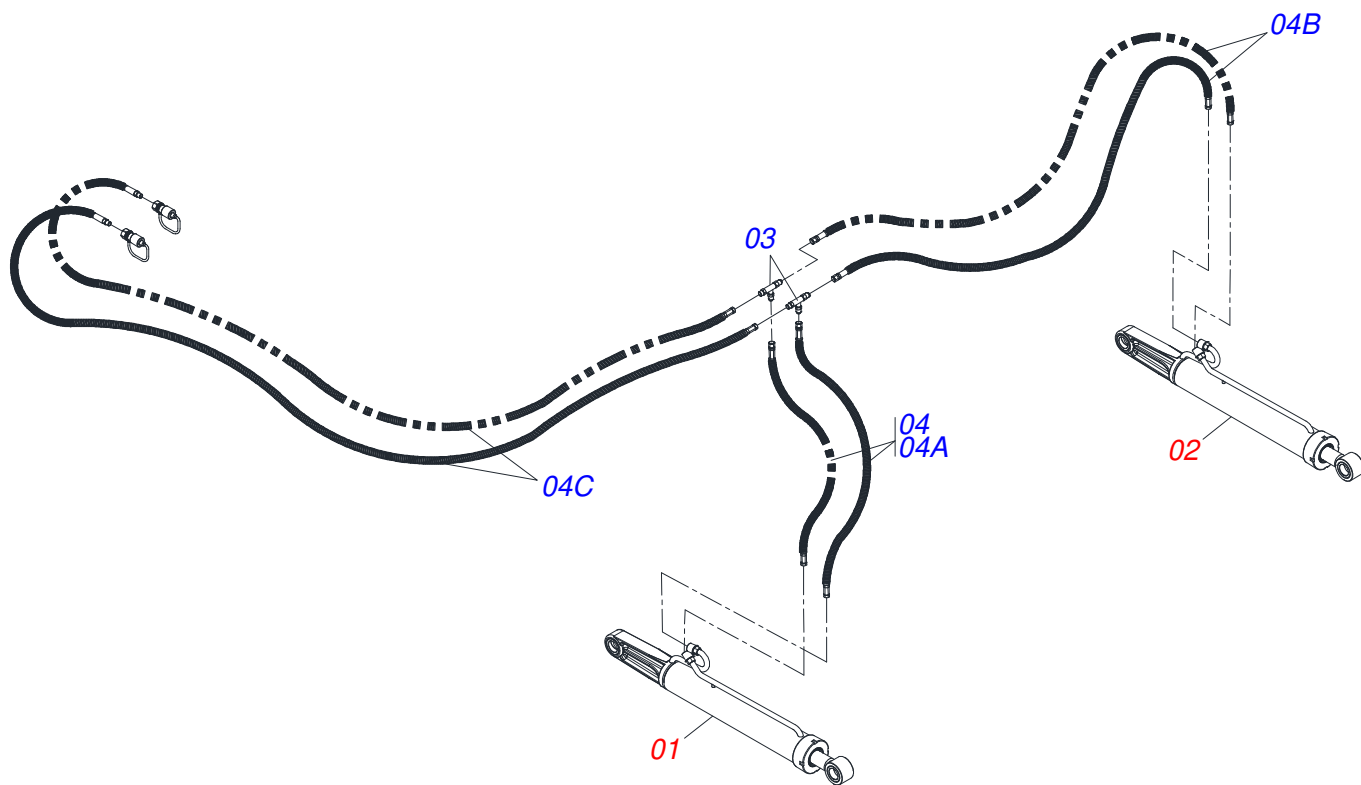
| Item | Code | Description | See page | QT |
|------|------------|---------------------------|----------|----|
| 01 | 0511058451 | HYDRAULIC CYLINDER | 6 | 01 |
| 02 | 0511058446 | HYDRAULIC CYLINDER | 7 | 01 |
| 03 | 0511067204 | SUPPORT FRONT FIXER PUMP | | 01 |
| 04 | 0521063354 | COUPLING SHAFT | | 02 |
| 05 | 0501063959 | PIVOT SHAFT | | 02 |
| 06 | 0501063751 | 1.5" X 5.5" PIVOT SHAFT | | 02 |
| 07 | 0501063411 | ESTABILIZER BRACKET | | 02 |
| 08 | 0501068942 | "T" CONNECTION NIPPLES | | 02 |
| 09 | 0909095812 | HYDRAULIC CIRCUIT | 8 | 01 |
| 10 | 0501041427 | 1.1/4" NC X 1540 ASSY ROD | 9 | 02 |
| 11 | 0501041849 | FULL 1.1/4" NC X 910 ROD | 10 | 01 |
| 12 | 0521062065 | FIXER SUPPLEMENT | | 01 |
| 13 | 0561017912 | FIXER SUPPLEMENT | | 01 |
| 14 | 0561011047 | FIXER SUPPORT | | 01 |
| 15 | 0541019129 | FRENCH HAND | | 02 |
| 16 | 0501061617 | 1" GANG BOLT WRENCH | | 01 |
| 17 | 0501068213 | 5/8" WRENCH DOUBLE | | 01 |
| 18 | 0501037426 | PACKED PARTS | 11 | 01 |
| 19 | 0571014730 | SLEEVE | | 01 |
| 20 | 0581011746 | SLEEVE | | 01 |
| 21 | 0503032722 | EXHAUST | | 01 |
| 22 | 0501010574 | FLAT WASHER | | 04 |



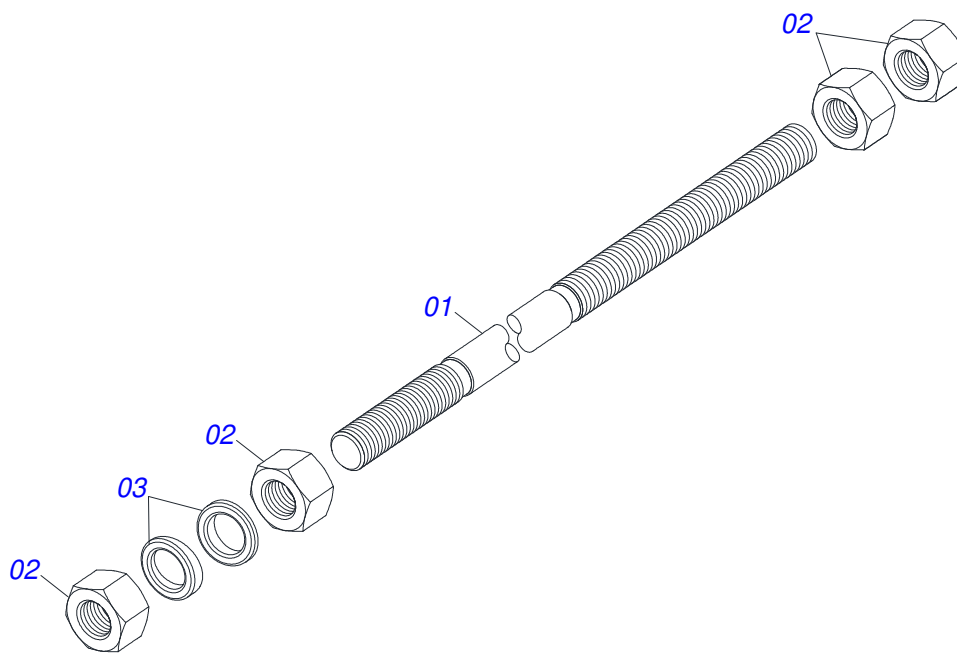
| Item | Code | Description | See page | QT |
|------|------------|-------------------------------|----------|----|
| 001 | 0501069000 | 85,7" X 483" BODY RIGHT | | 01 |
| 002 | 0501068012 | 44,45 X 682 TURNBUCLE | | 01 |
| 003 | 0503010761 | D-1750 SCRAPER RING | | 01 |
| 004 | 0503010042 | 2-214 N 3006-9B O'RING | | 01 |
| 005 | 0503010063 | 1" SELF-ALIGNING NUT | | 01 |
| 006 | 0503010002 | 1800 GREASE FITTING | | 02 |
| 007 | 0503030387 | PLUG | | 02 |
| 008 | 0571019711 | RING SUPPORT | | 01 |
| 009 | 0571019709 | DETACHABLE COVER | | 01 |
| 010 | 0503017936 | RING | | 01 |
| 011 | 0503017938 | RING GUIDE | | 01 |
| 012 | 0503017937 | GASKET | | 01 |
| 013 | 0503017940 | 8-337 BACK-UP RING | | 02 |
| 014 | 0503017939 | 2-337 N 3006-9B O' RING | | 02 |
| 015 | 0571019710 | 1.7" X 3.4" PISTON | | 01 |
| 016 | 0503017935 | RING | | 01 |
| 017 | 0503018144 | RING | | 01 |
| 018 | 0511032281 | HYDRAULIC CYLINDER REPAIR KIT | | 01 |



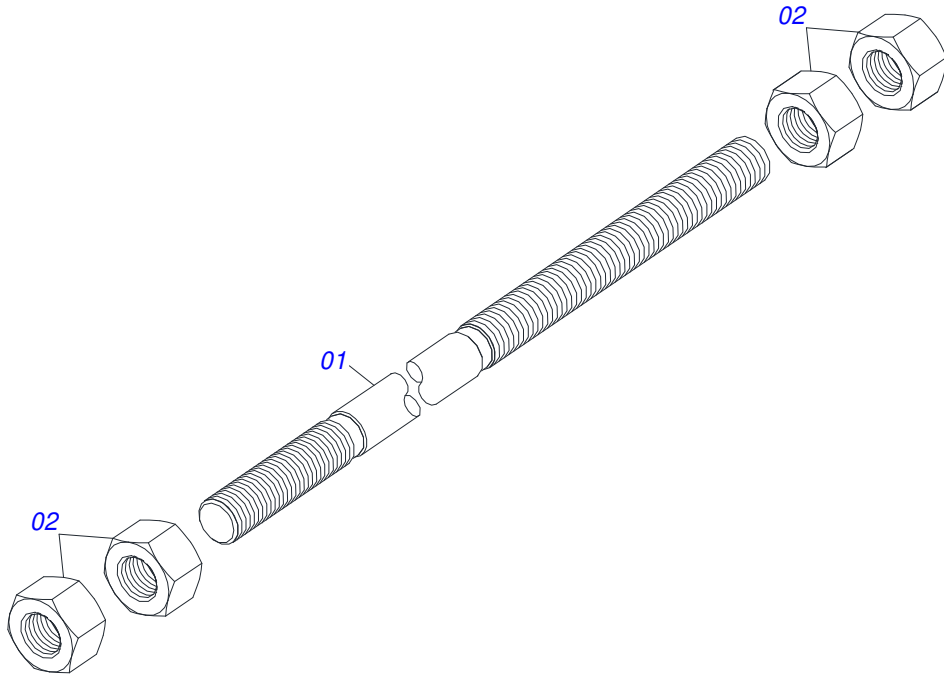
| Item | Code | Description | See page | QT |
|------|------------|-------------------------------|----------|----|
| 001 | 0501069001 | 85,7" X 483" BODY LEFT | | 01 |
| 002 | 0501068012 | 44,45 X 682 TURNBUCLE | | 01 |
| 003 | 0503010761 | D-1750 SCRAPER RING | | 01 |
| 004 | 0503010042 | 2-214 N 3006-9B O'RING | | 01 |
| 005 | 0503010063 | 1" SELF-ALIGNING NUT | | 01 |
| 006 | 0503010002 | 1800 GREASE FITTING | | 02 |
| 007 | 0503030387 | PLUG | | 02 |
| 008 | 0571019711 | RING SUPPORT | | 01 |
| 009 | 0571019709 | DETACHABLE COVER | | 01 |
| 010 | 0503017936 | RING | | 01 |
| 011 | 0503017938 | RING GUIDE | | 01 |
| 012 | 0503017937 | GASKET | | 01 |
| 013 | 0503017940 | 8-337 BACK-UP RING | | 02 |
| 014 | 0503017939 | 2-337 N 3006-9B O' RING | | 02 |
| 015 | 0571019710 | 1.7" X 3.4" PISTON | | 01 |
| 016 | 0503017935 | RING | | 01 |
| 017 | 0503018144 | RING | | 01 |
| 018 | 0511032281 | HYDRAULIC CYLINDER REPAIR KIT | | 01 |



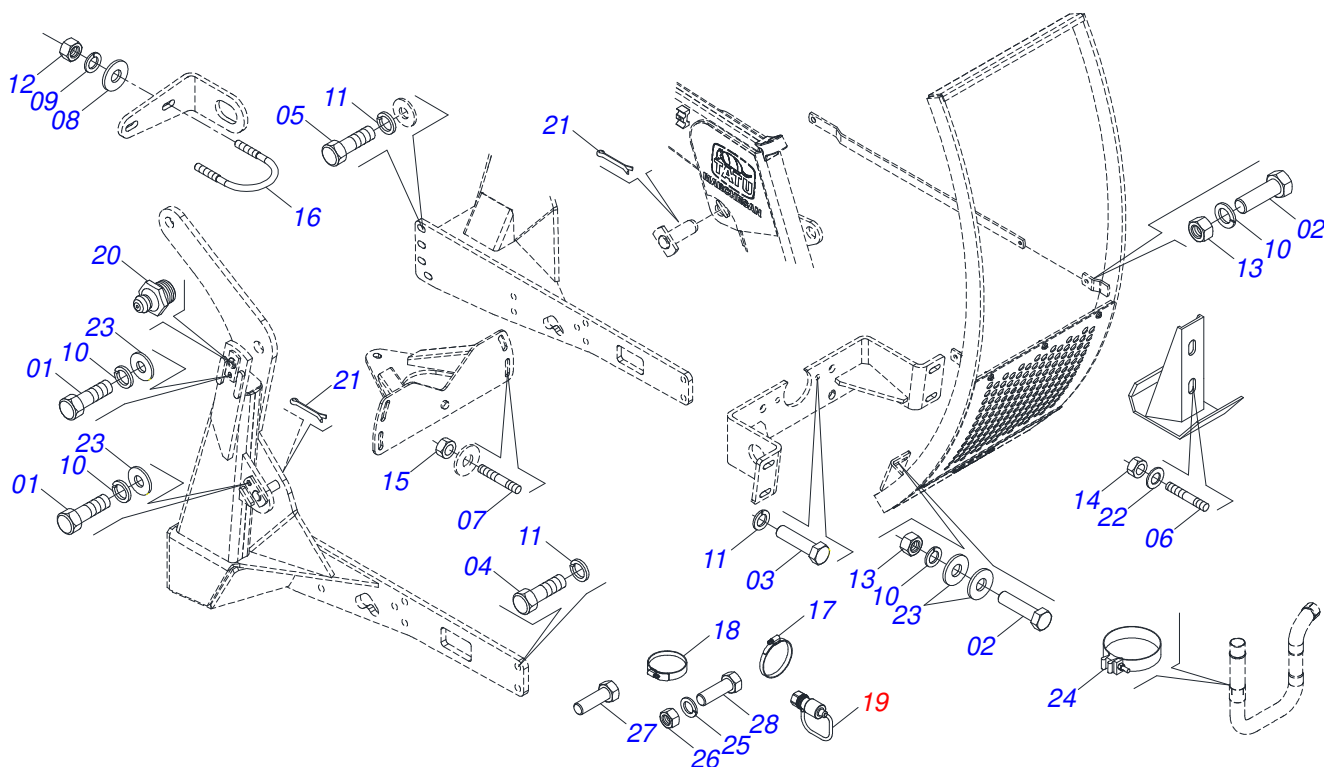
| Item | Code | Description | See page | QT |
|------|------------|-------------------------|----------|----|
| 01 | 0511058451 | HYDRAULIC CYLINDER | 6 | 01 |
| 02 | 0511058446 | HYDRAULIC CYLINDER | 7 | 01 |
| 03 | 0501068942 | "T" CONNECTION NIPPLES | | 02 |
| 04 | 0501056781 | HOSE KIT | | 01 |
| 04A | 0501080195 | 1/2 X 950 TR - TR HOSE | | 02 |
| 04B | 0501080168 | 1/2" X 61" TR - TR HOSE | | 02 |
| 04C | 0501080245 | 1/2 X 2800 HOSE TR-TM | | 02 |



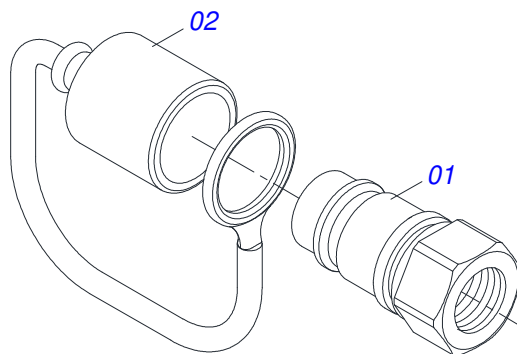
| Item | Code | Description | See page | QT |
|------|------------|-----------------------|----------|----|
| 01 | 0501014250 | 1.1/4" X 1540 ROD | | 01 |
| 02 | 0501010087 | 1.1/4" NUT | | 04 |
| 03 | 0502012180 | CONICAL SPRING WASHER | | 02 |



| Item | Code | Description | See page | QT |
|------|------------|------------------|----------|----|
| 01 | 0501014914 | 1.1/4" X 910 ROD | | 01 |
| 02 | 0501010087 | 1.1/4" NUT | | 04 |



| Item | Code | Description | See page | QT |
|------|------------|---------------------------------------|----------|----|
| 01 | 0503010962 | 5/8" X 1-1/4" BOLT | | 04 |
| 02 | 0501010100 | SCREW 5/8 UNC X 2 CS G.5 ZN | | 08 |
| 03 | 0503013111 | M20 X 2,5 X 65 BOLT | | 04 |
| 04 | 0503013103 | M20 X 2,5 X 90 BOLT | | 10 |
| 05 | 0503013390 | 3/4" UNC BOLT | | 08 |
| 06 | 0561016756 | 3/4 UNC X 3/4 UNC X 56 PRISONER | | 04 |
| 07 | 0561016755 | PRISONER 1 UNC X 1 UNC X 76 ZN | | 04 |
| 08 | 0501010984 | FLAT WASHER | | 02 |
| 09 | 0503010025 | 3/8" SPRING WASHER | | 02 |
| 10 | 0503010027 | 5/8" SPRING WASHER | | 12 |
| 11 | 0503010023 | 3/4" SPRING WASHER | | 22 |
| 12 | 0503010026 | 3/8" NUT | | 02 |
| 13 | 0503010013 | 5/8" NUT | | 08 |
| 14 | 0503010014 | 3/4" NUT | | 12 |
| 15 | 0501010059 | 1.5/8 NUT | | 04 |
| 16 | 0561011121 | CLAMP | | 01 |
| 17 | 0503011266 | CLAMP 2.1/4" A 3" 57-76 | | 01 |
| 18 | 0503010246 | CLAMP | | 02 |
| 19 | 0501053834 | MALE QUICK COUPLER WITH CAP - 1/2 NPT | 12 | 02 |
| 20 | 0503010002 | 1800 GREASE FITTING | | 06 |
| 21 | 0503010534 | 3/8 X 2-1/2 COTTERPIN | | 02 |
| 22 | 0501010322 | FLAT WASHER | | 12 |
| 23 | 0501012140 | FLAT WASHER | | 14 |
| 24 | 0503015725 | CLAMP | | 01 |
| 25 | 0503010019 | 1/2" SPRING WASHER | | 02 |
| 26 | 0503010060 | 1/2" NUT | | 02 |
| 27 | 0503013853 | M12 X 1,75 X40 BOLT | | 02 |
| 28 | 0503010920 | 1/2" X 1.1/2" BOLT | | 02 |



| Item | Code | Description | See page | QT |
|------|------------|--------------------------------|----------|----|
| 01 | 0503011627 | MALE QUICK COUPLER AGR 1/2 NPT | | 01 |
| 02 | 0503011882 | MALE QUICK COUPLER CAP | | 01 |



MARCHESAN

Technical Publications | Elaboration and Revision

MARINA PEREZ NIZA

www.marchesan.com.br

